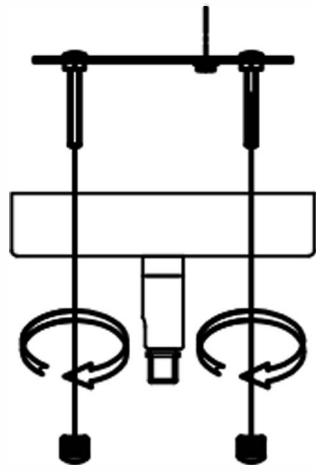
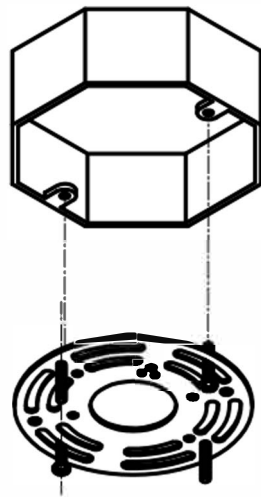


①



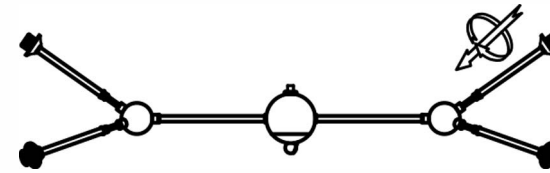
1. Unscrew the short screw on the lamp base and remove the hanging board.

②



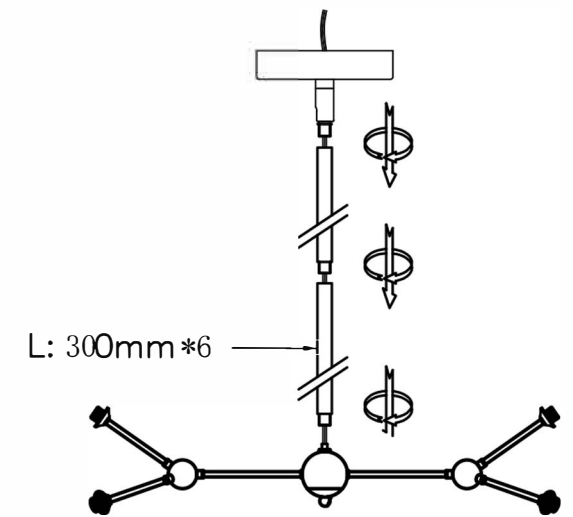
2. Use 2 long screws to install the hanging board in the junction box.

③



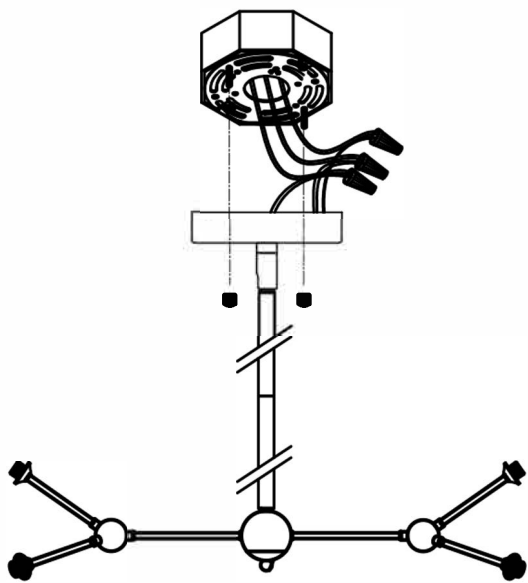
3. Tighten the lamp pole A on the lamp body.

④



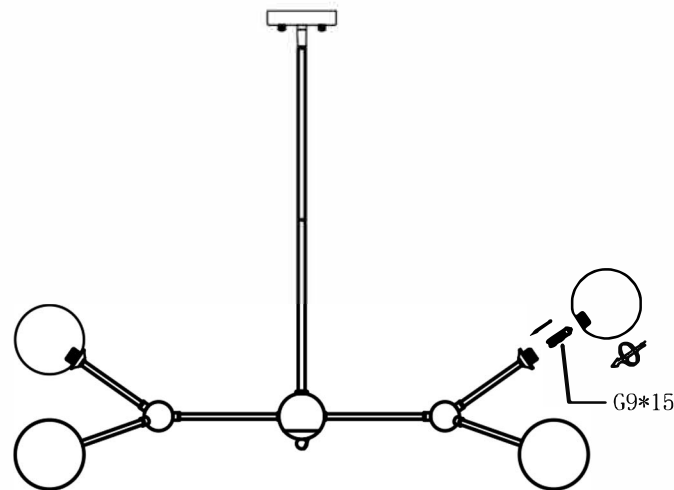
4. ① Rotate the metal tube onto the lamp body; ② Connect the lamp body and lamp base using the quick link and thread the wires through the lamp base.

⑤



5. ① Wire the device by matching the colors of the wires. A total of 3 wires: Live wire, Neutral wire, and Ground wire. Cover the connection by tightening the wiring cap. To avoid electric shock, please do not let the copper wire expose. ② Install the lamp body on the hanging board and tighten them with the short screws.

⑥



6. ① Install 15 G9 bulbs (Note: bulbs is not included). ② Screw on the glass lampshade.

1.  Long screws 2PCS

2.  Hanging board 1PCS

3.  Wiring caps 3PCS

4.  Lamp base 1PCS

5.  Short screws 2PCS

6.  Lamp pole A L:11.8 inch 6PCS

7.  Lamp body 1PCS

8.  Glass lampshade 15PCS