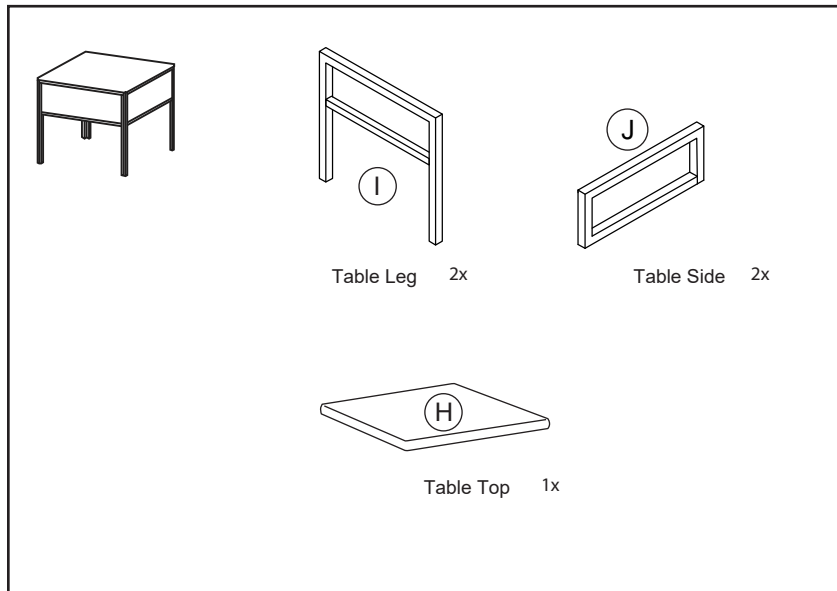
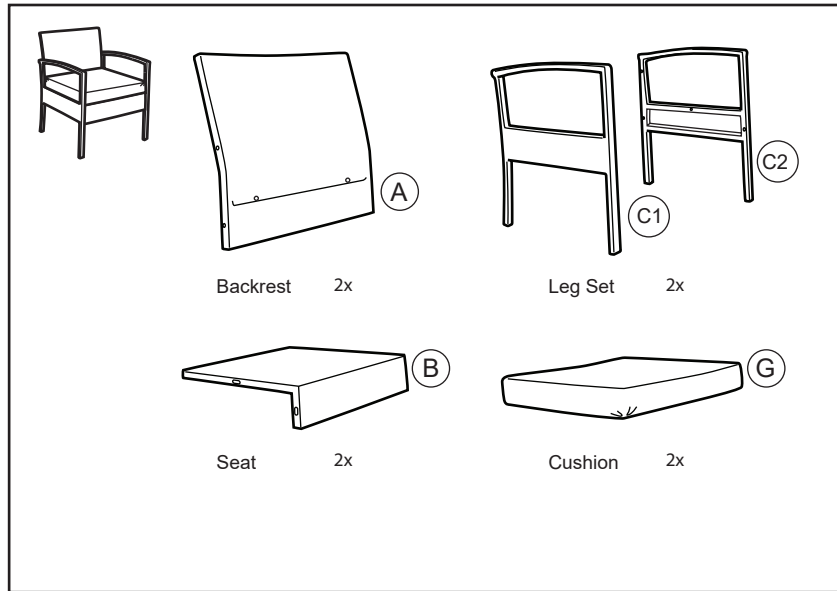


PARTS AND HARDWARE

Avoid using sharp objects such as a knife to cut open packing as you may accidentally damage the upholstery.



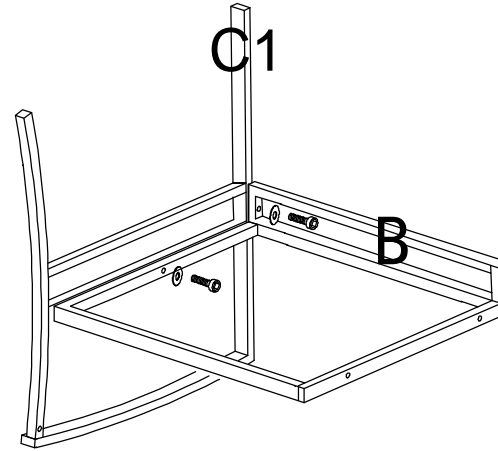
M6 x 40 Bolt 32x

Washer Bolt 32x

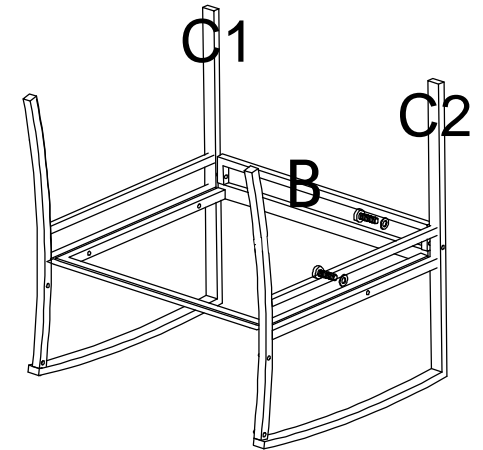
Allen Key

Do not fully tighten bolts until assembly is complete.

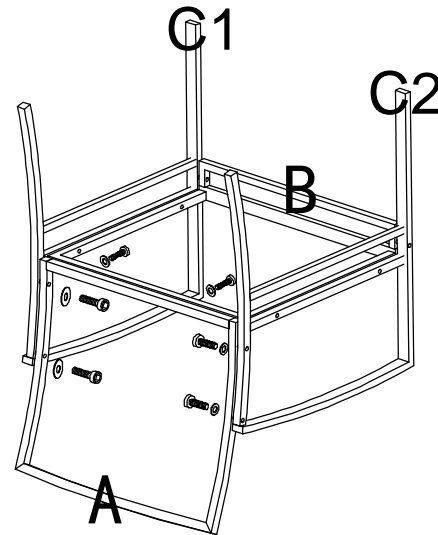
1. Attach Right Arm (C1) to the Seat (B) using bolts and washers



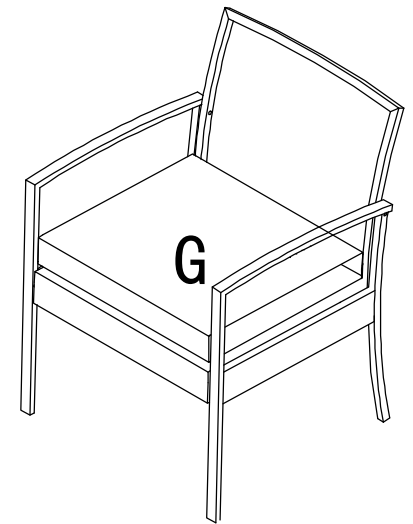
2. Attach Left Arm (C2) to the Seat (B) using bolts and washers



3. Attach backrest (A) to the Arm(C1 C2) and Seat(B) using bolts and Washers

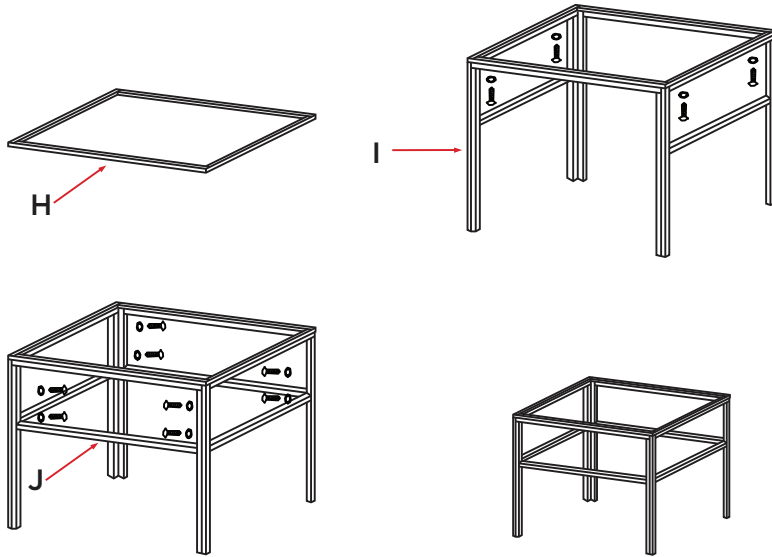


4. Put the seat cushion(G)to the chair.

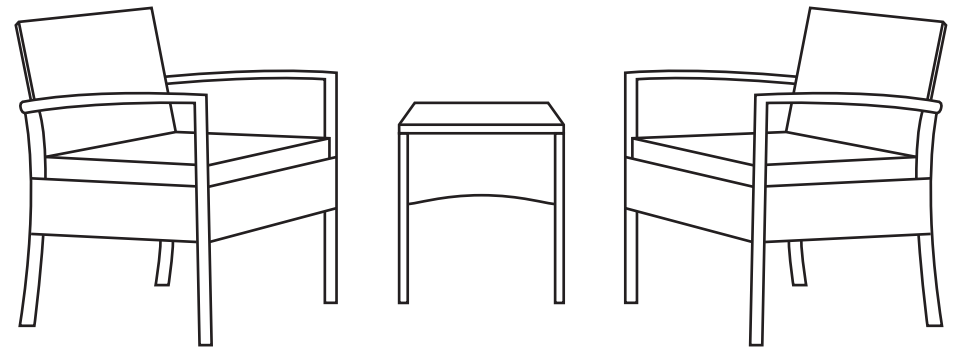
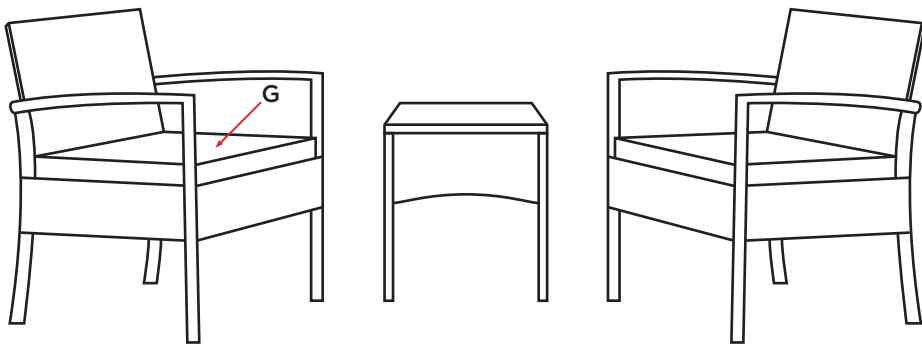


*Repeat steps 1-2 for for the second Single Seater.

3 Attache Table legs (I) to table Frame (H) and Table Sides (J) using Bolts and washers



4 Place Cushions onto assembled chair frames and enjoy your new outdoor seating.



ASSEMBLY INSTRUCTIONS

Dear Customer, Thank you for your order.

If you have questions or quality problems during the installation and use, please email us at first thought your order

The most important Step:

Do not tighten too tightly when installing, Please tighten after installing.

If your chair isn't unstable,

the four legs are not on the same level,

you need to loosen all screws, and then raise 50-100CM, and then let the chair fall to the ground.

Repeat this action to adjust the four legs of the chair to a level surface.

Then tighten the screws.

Before beginning assembly of product, make sure all parts are present.

Compare parts with parts list. If any part is missing or damaged,

do not attempt to assemble the product and contact us immediately.