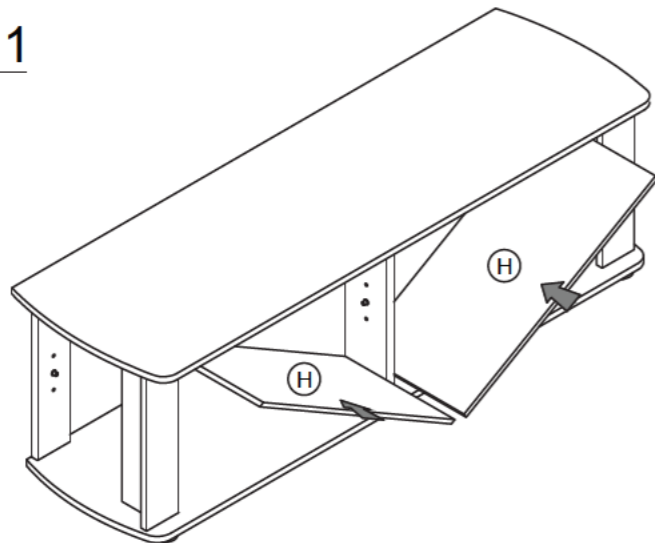
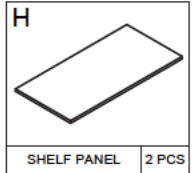
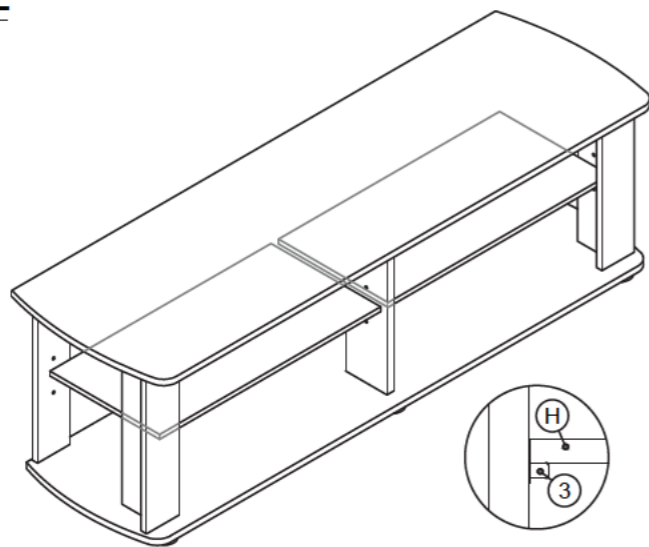


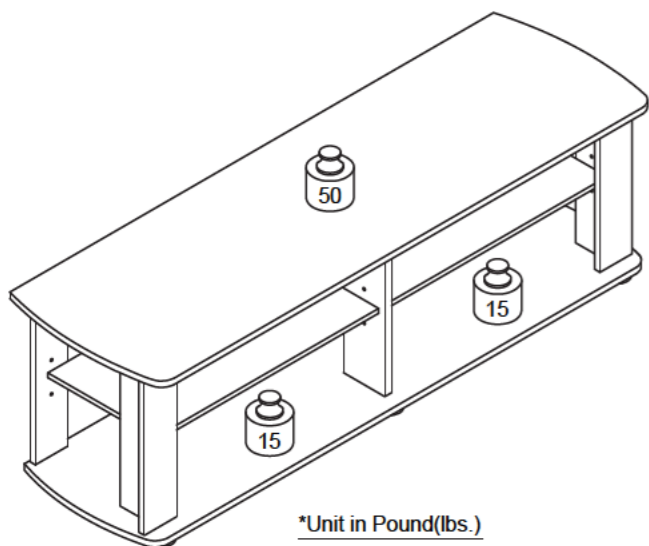
STEP 11



STEP 12



Recommended Maximum Weight



*Unit in Pound(lbs.)

WARNING:

>This unit has been designed to support the maximum loads shown. Exceeding these load limits could cause sagging, instability, product collapse, and/or serious injury.

>DO NOT allow children to climb on unit.

>Put heavier items on lower shelves.

Assembly Instruction

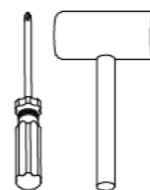
THE Entertainment Center TV Stand

00:40

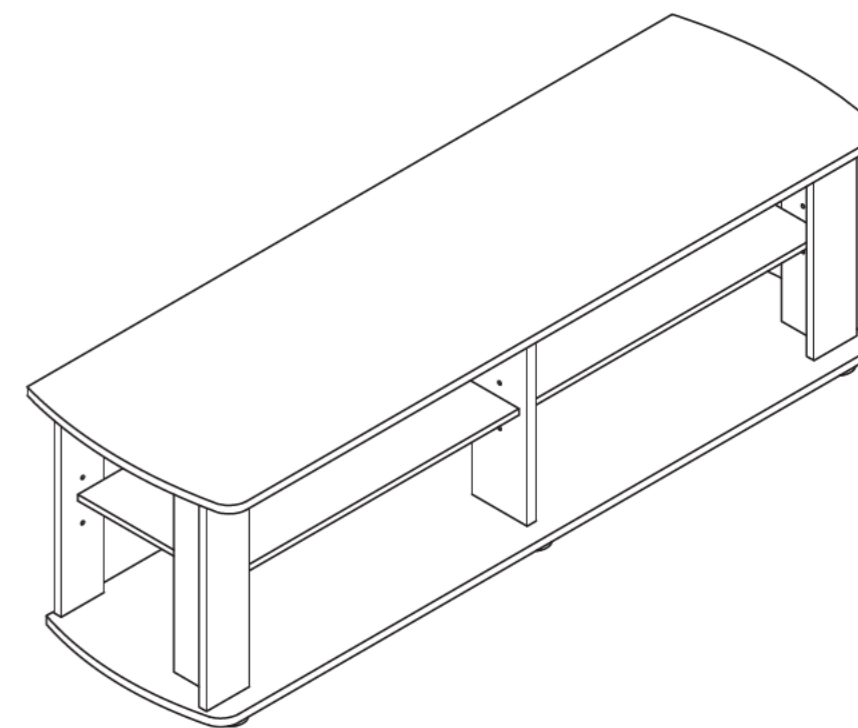
Approx. 40 minutes



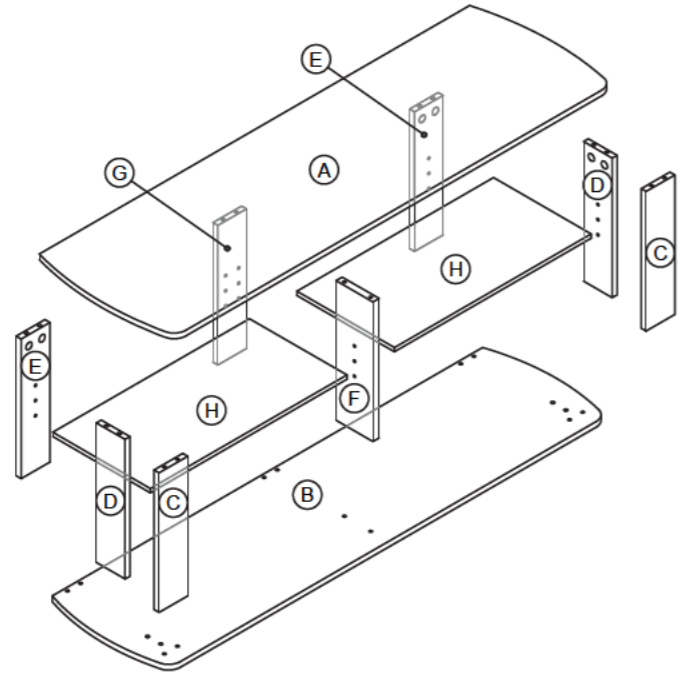
Recomm. 2 Person



Tool Required




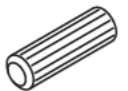

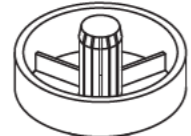
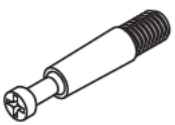

EXPLODED VIEW



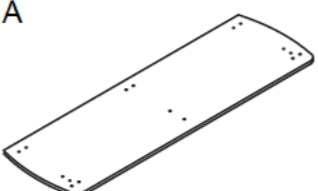
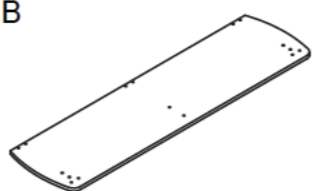
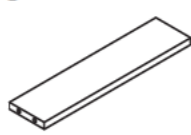
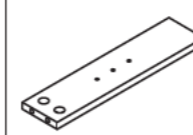
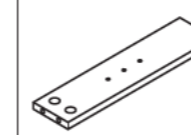
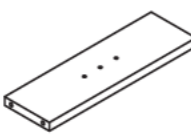
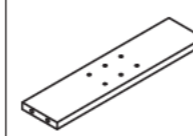
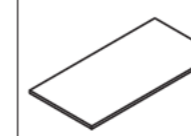
USEFUL HINTS BEFORE YOU START:

1. Read each step carefully before starting.
2. It is important that each step is performed in correct order to avoid difficulties.
3. Identify, soft and count the parts before assembly.
4. Assemble your furniture on packaging cardboard to prevent scratch or damage.
5. Clean the product with mild cleanser using soft damped cloth. Do not use harsh or abrasive cleanser.
6. Using incompatible hardware might cause damage to product.

HARDWARE LIST

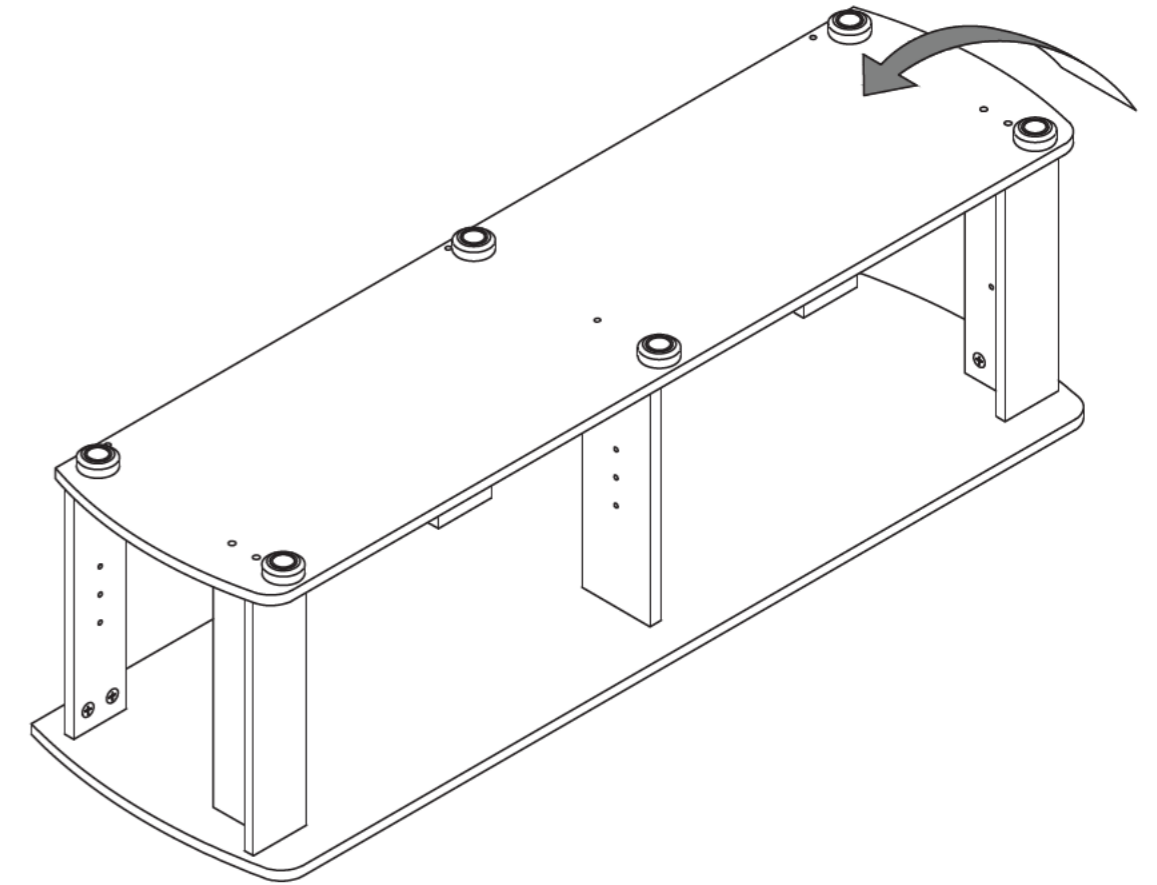
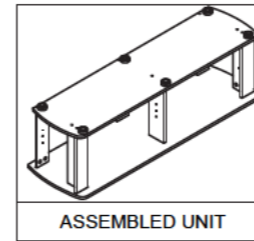
1		2	
SCREW	12 PCS	DOWEL	12 PCS
3		4	
SHELF SUPPORT	8 PCS	PVC ROUND LEG	6 PCS
5		6	
CAM-LOCK SCREW	8 PCS	CAM-LOCK NUT	8 PCS

PARTS LIST

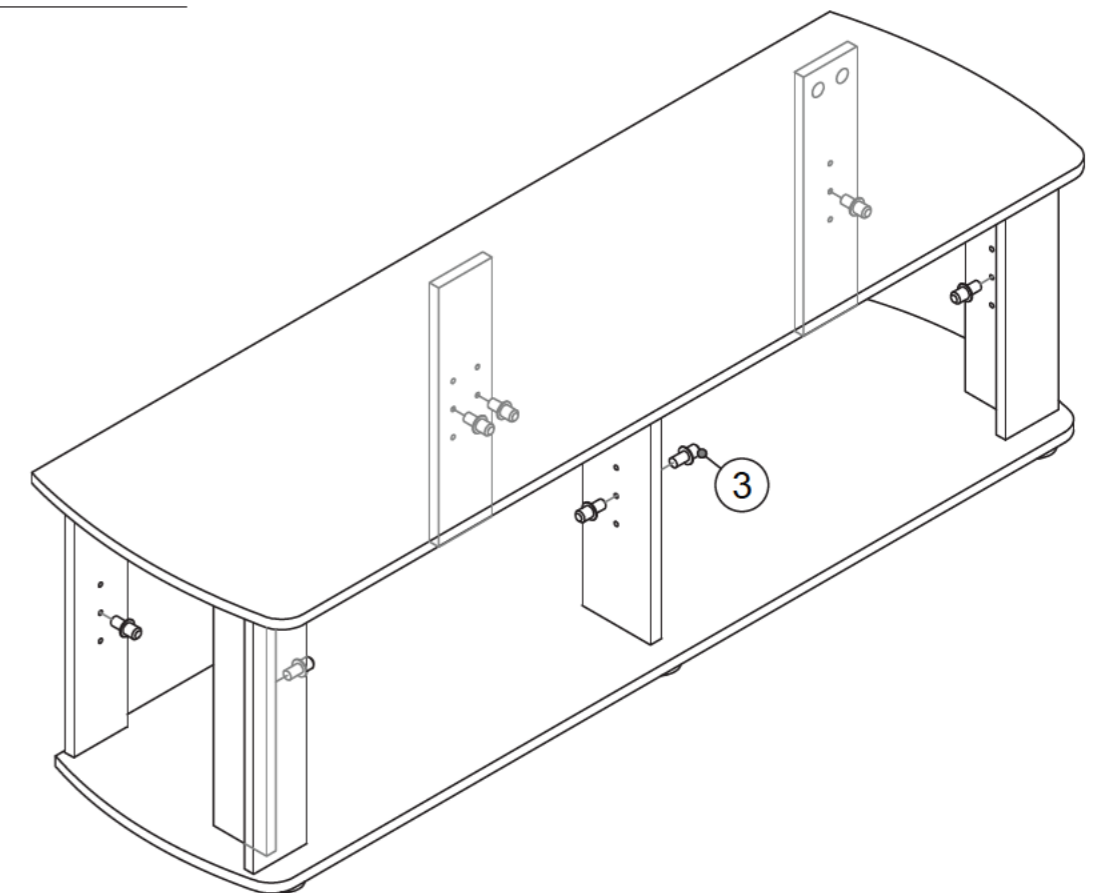
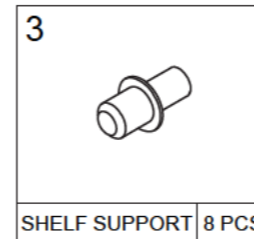
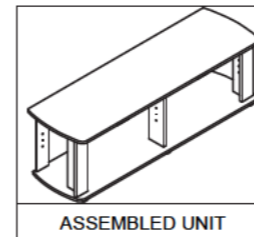
A		B			
TOP PANEL	1 PC	BOTTOM PANEL	1 PC		
C		D		E	
FRONT PANEL	2 PCS	SIDE PANEL	2 PCS	BACK PANEL	2 PCS
F		G		H	
CENTER PANEL	1 PC	CENTER BACK PANEL	1 PC	SHELF PANEL	2 PCS

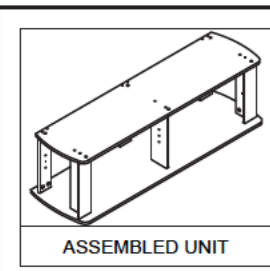
STEP 9

TURN 180°

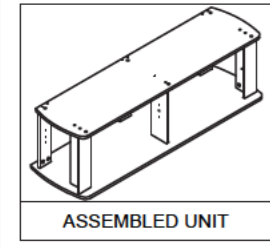
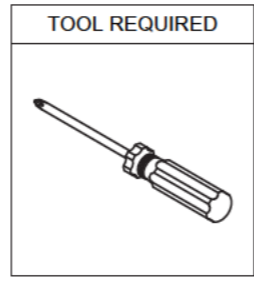
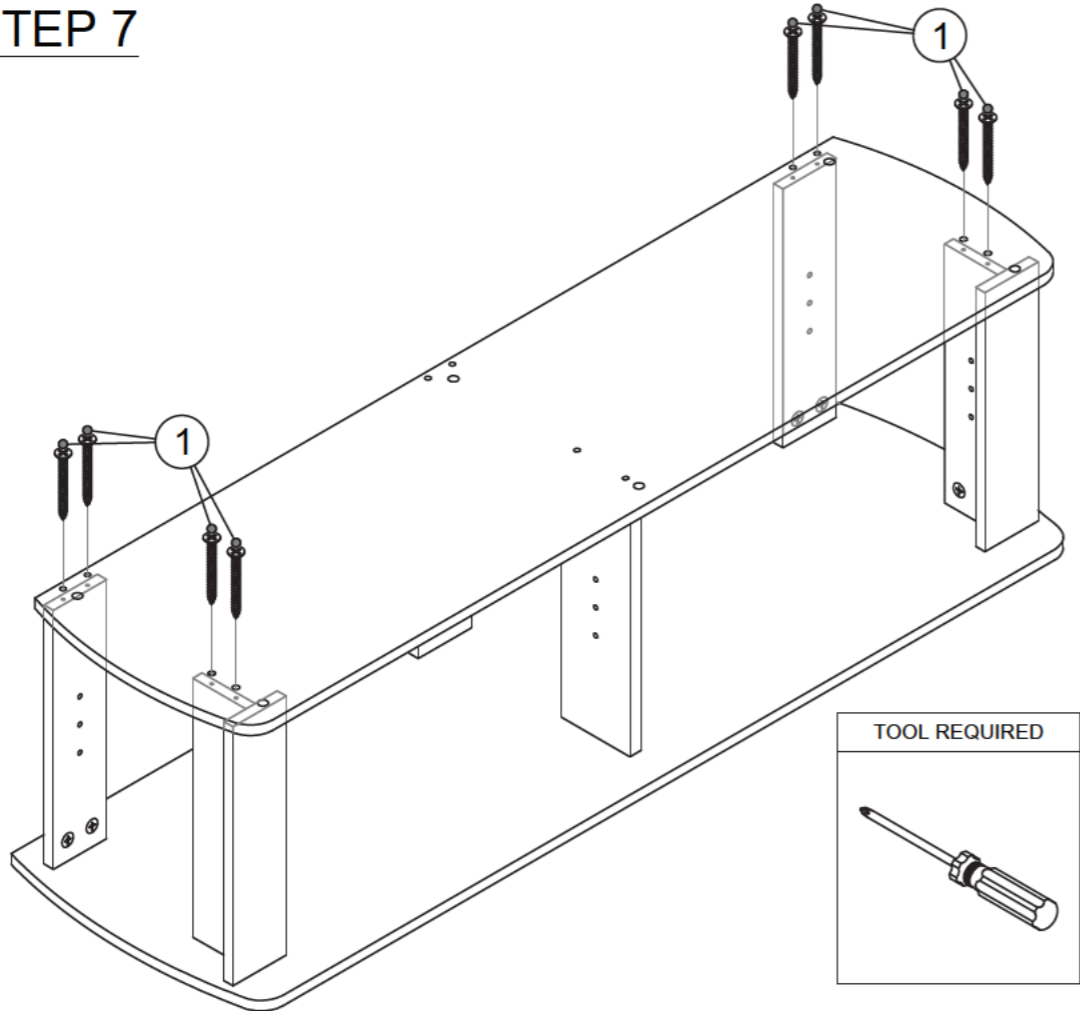
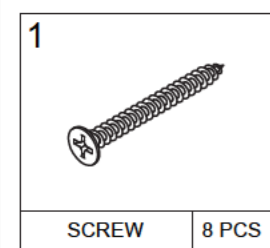


STEP 10

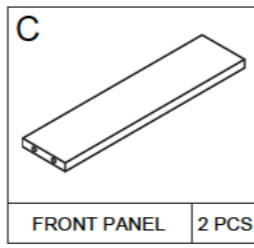
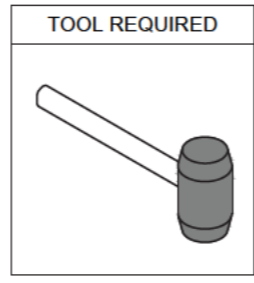
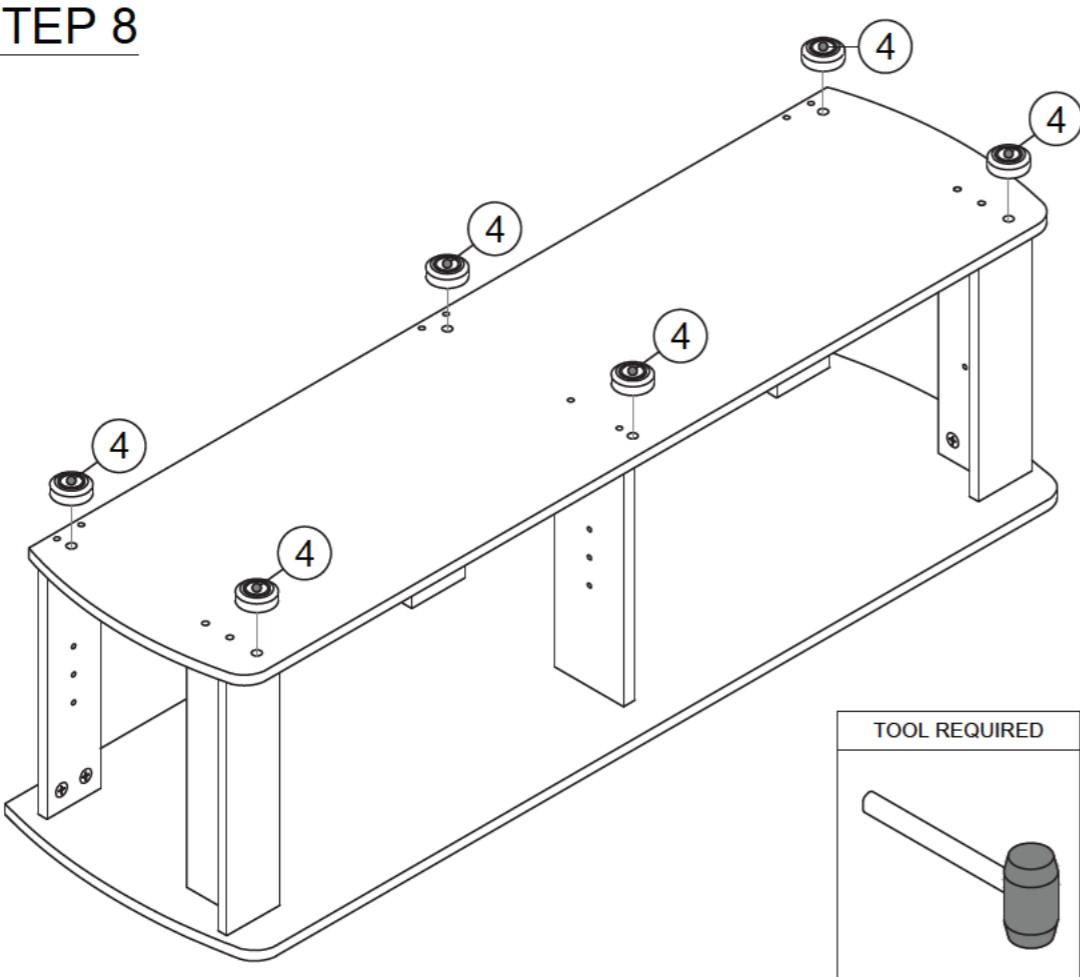
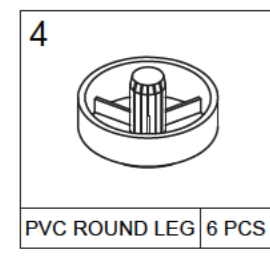




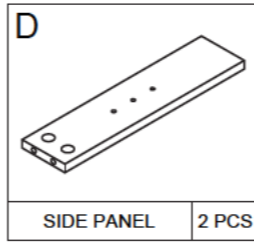
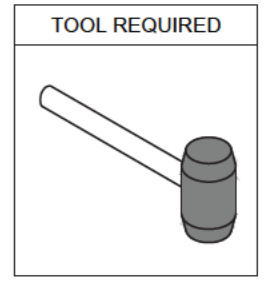
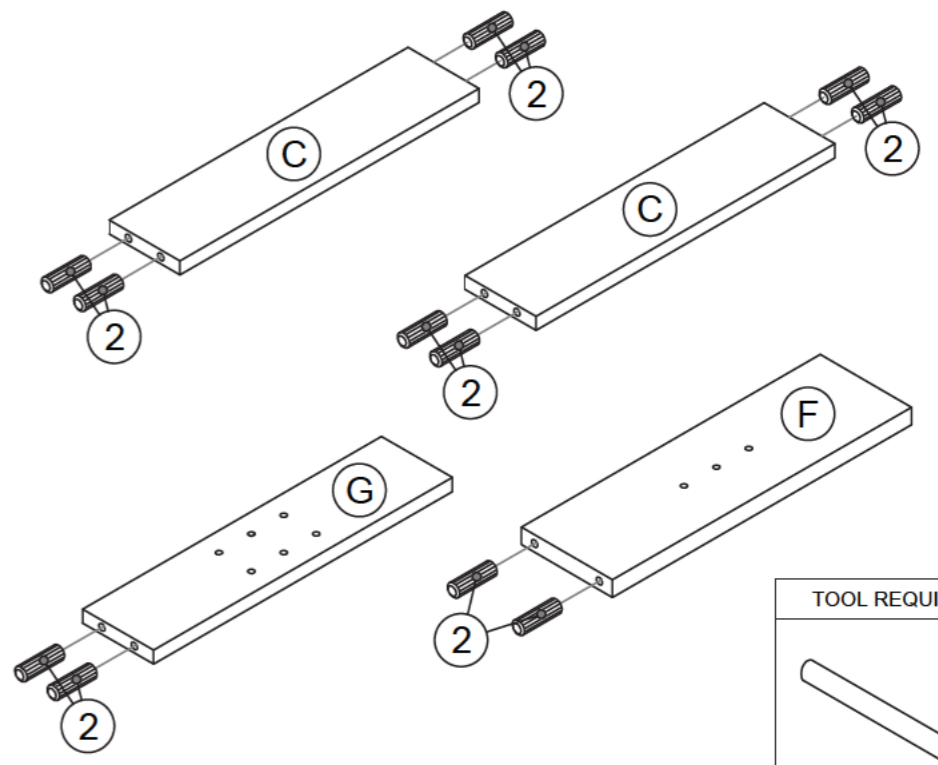
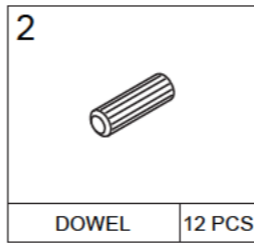
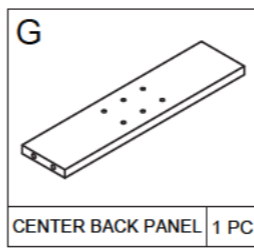
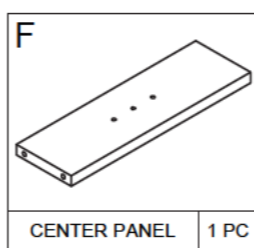
STEP 7



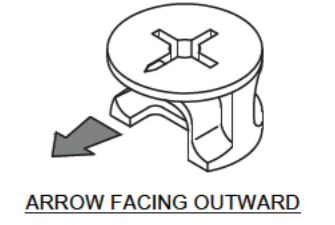
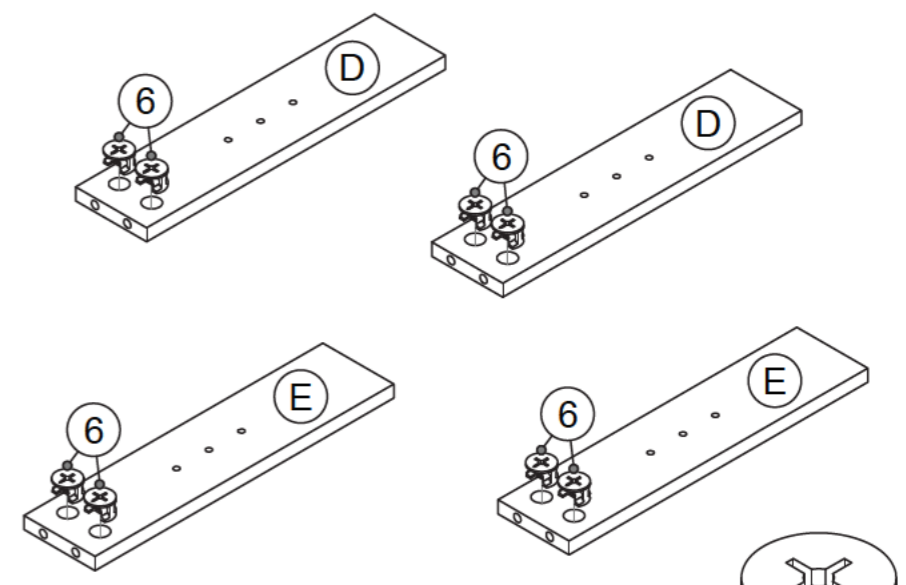
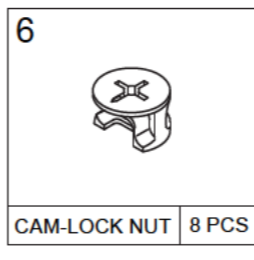
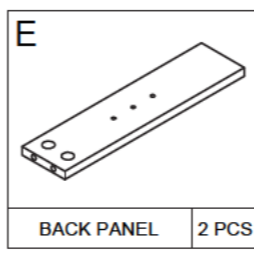
STEP 8



STEP 1

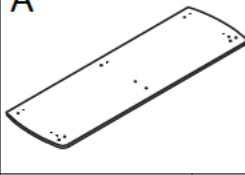


STEP 2




STEP 3

A



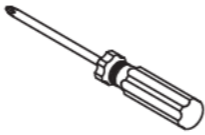
TOP PANEL 1 PC

5



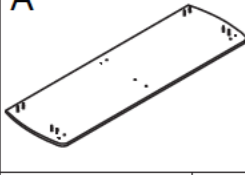
CAM-LOCK SCREW 8 PCS

TOOL REQUIRED



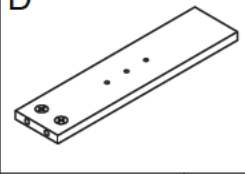
STEP 4

A



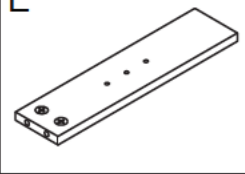
TOP PANEL 1 PC

D



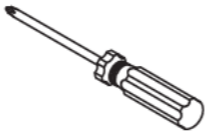
SIDE PANEL 2 PCS

E



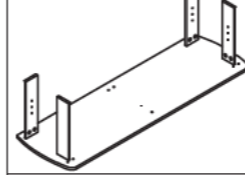
BACK PANEL 2 PCS

TOOL REQUIRED

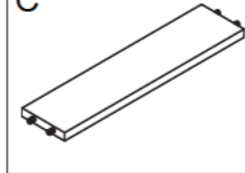


STEP 5

ASSEMBLED UNIT

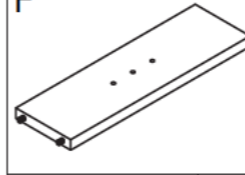


C



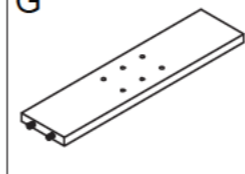
FRONT PANEL 2 PCS

F



CENTER PANEL 1 PC

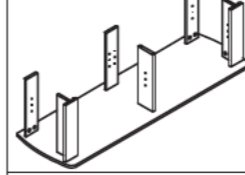
G



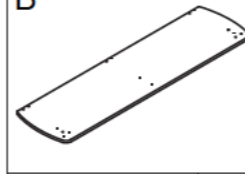
CENTER BACK PANEL 1 PC

STEP 6

ASSEMBLED UNIT




B



BOTTOM PANEL 1 PC

1



SCREW 4 PCS

TOOL REQUIRED

