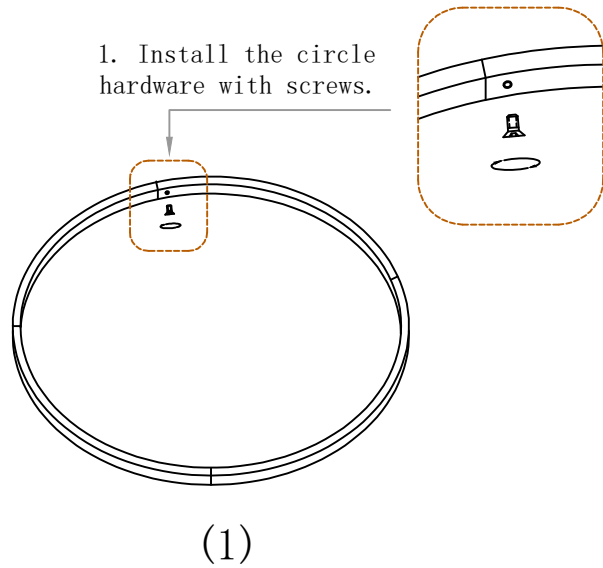
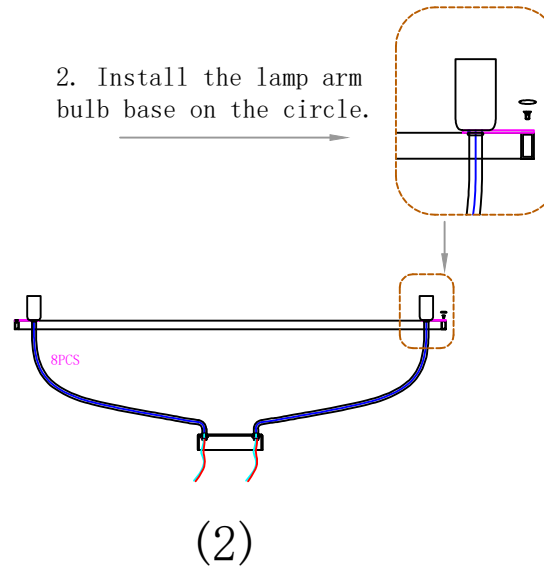


Installation steps

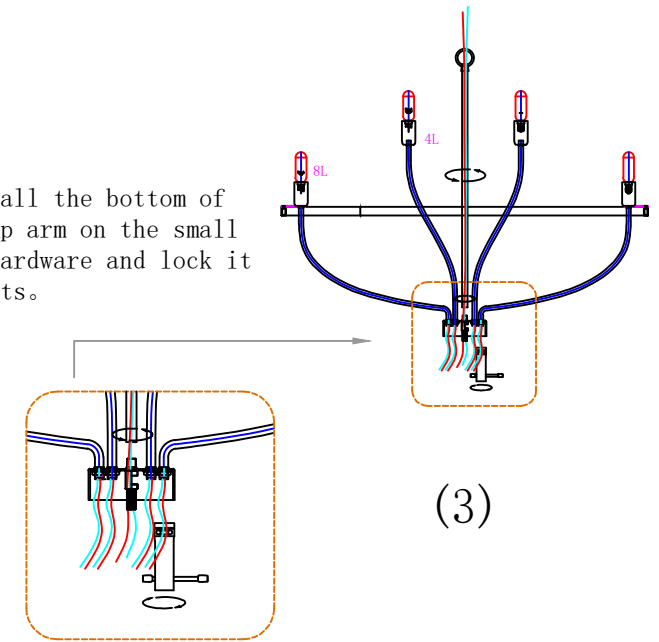
1. Install the circle hardware with screws.



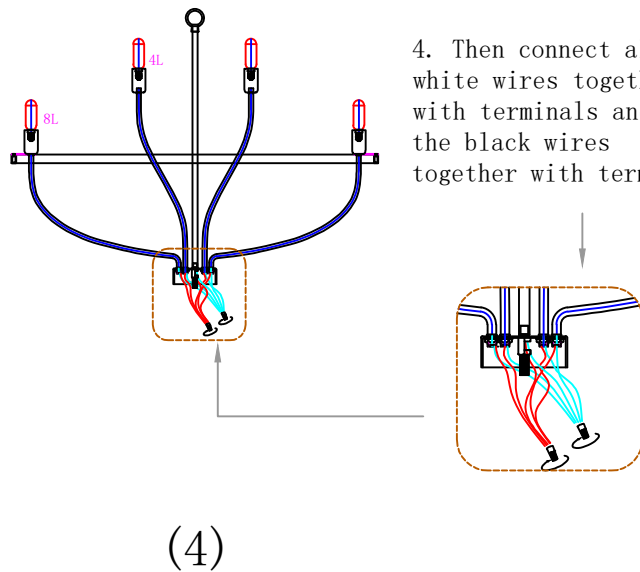
2. Install the lamp arm bulb base on the circle.



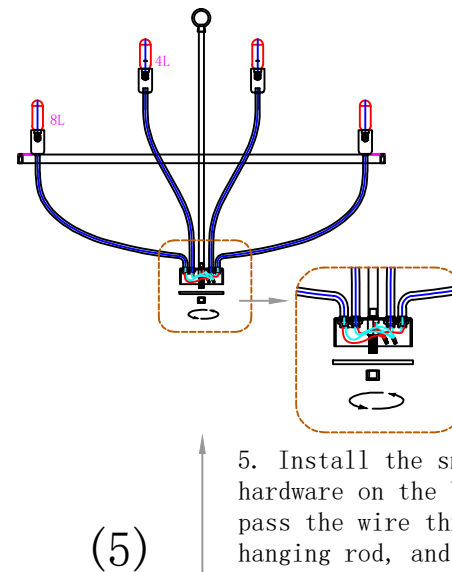
3. Install the bottom of the lamp arm on the small round hardware and lock it with nuts.



4. Then connect all the white wires together with terminals and all the black wires together with terminals.



6. Hang the hanging chain on the ceiling canopy and the boom, pass the wires through the ceiling canopy, fix the ceiling canopy on the wire box, install the light bulb, and done.



5. Install the small round hardware on the base plate, pass the wire through the hanging rod, and tighten it on the small round hardware.

