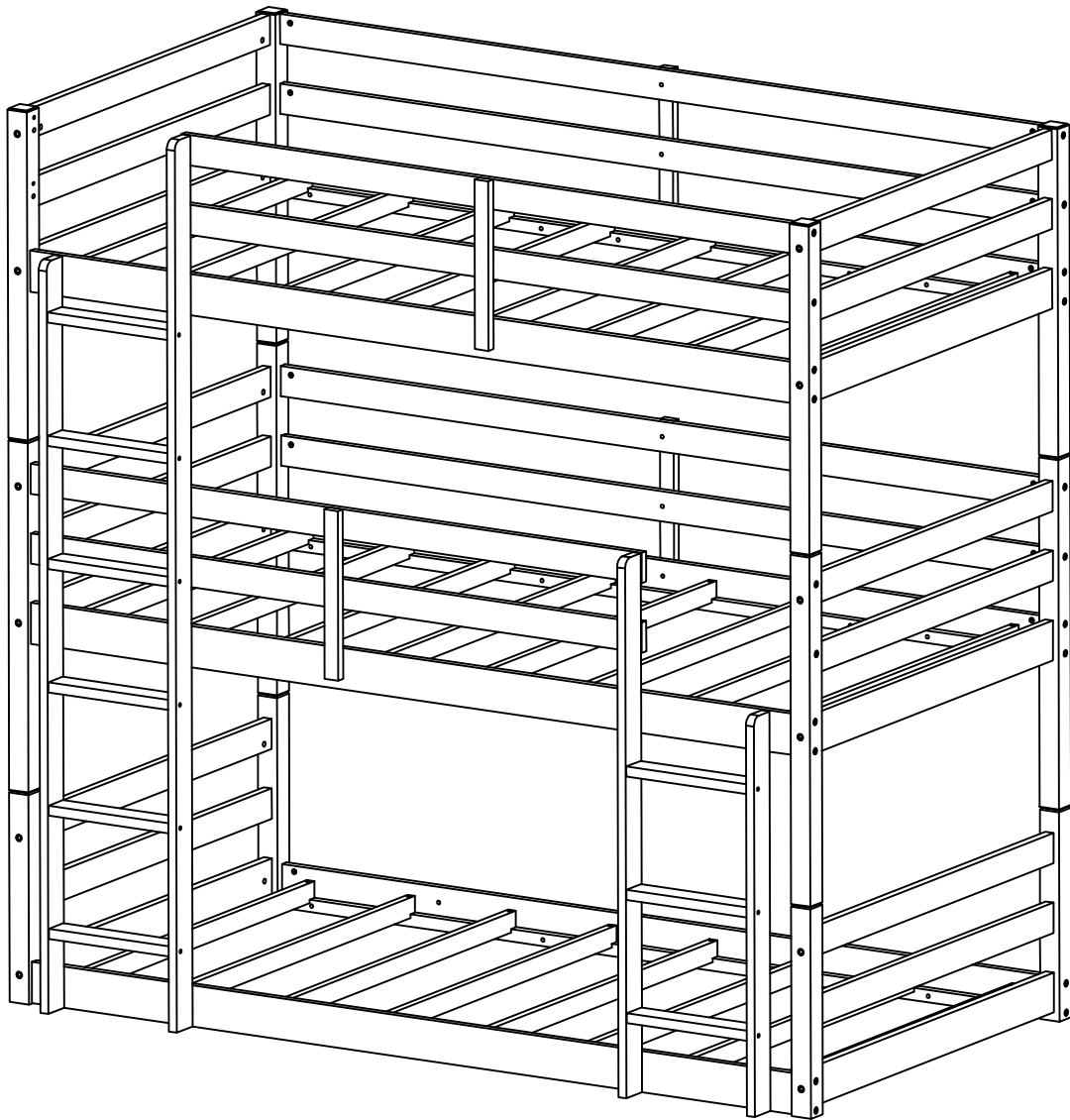


ASSEMBLY INSTRUCTIONS

TWIN TRIPLE BUNK BED





SAFETY WARNING



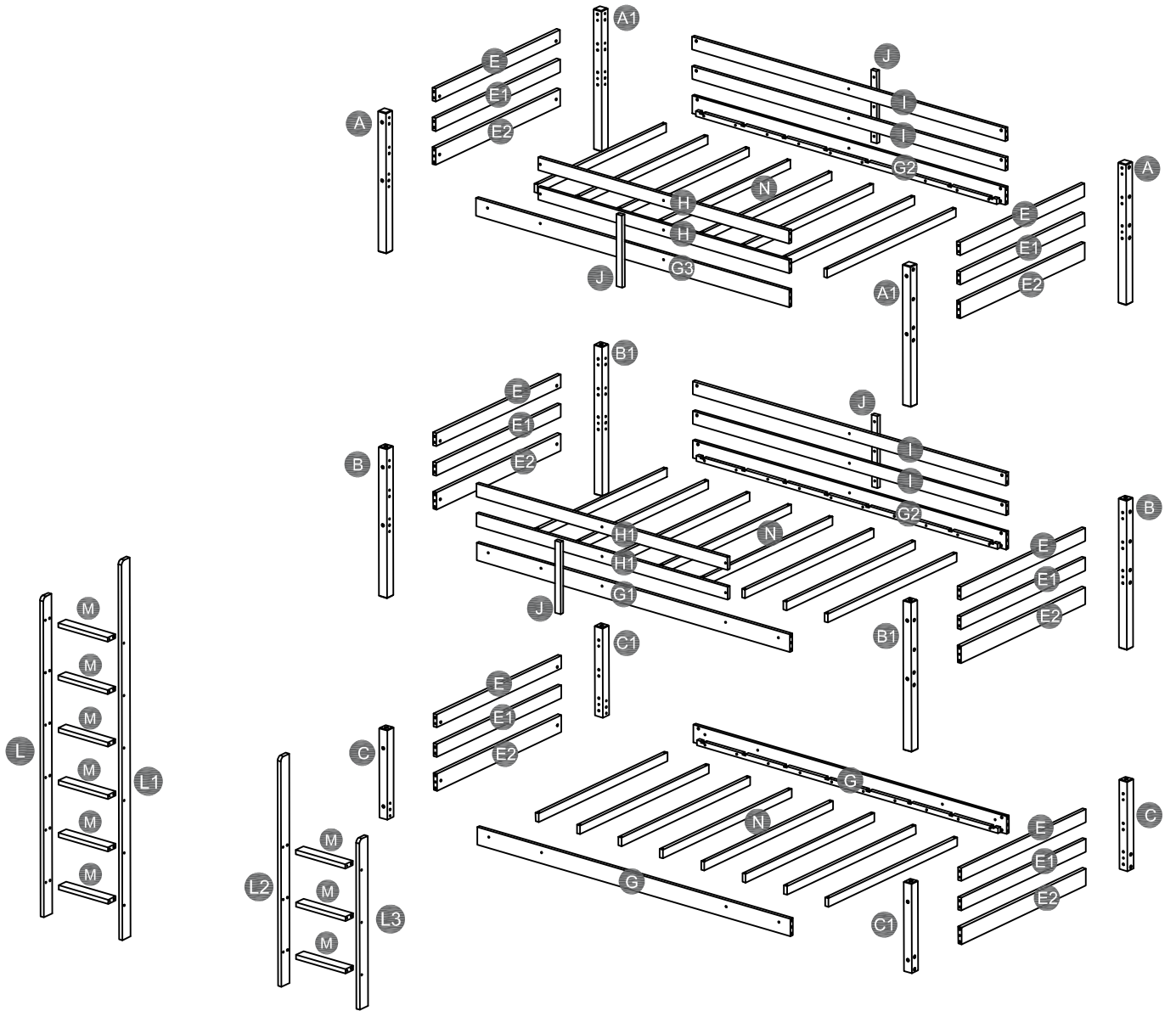
1. This bed is designed for use only mattress (es) meeting the following specifications on the upper bunk, and lower bunk:

Bed (Bunk bed and triple included)


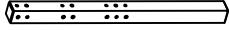


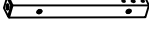
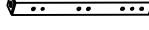
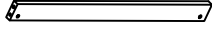
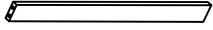
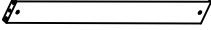




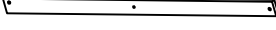
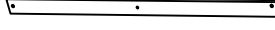
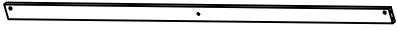
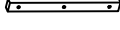
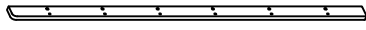
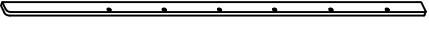

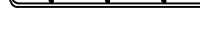
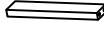
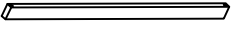
Bed type	Length	With	Thickness
Twin Standard	74"-75"	38 1/2"	6" max

2. Replacement parts, including additional guardrails, maybe obtained from any of our dealer of GigaCloud Technology, (USA) /18961 ARENTH AVENUE,CITY OF INDUSTRY,CA, 91748 .
3. Follow the information on the warnings appearing on the upper bunk bed end structure and on the carton. Do not remove warning label from bed.
4. Always use the recommended size mattresses or mattress supports, or both, to help prevent the likelihood of entrapment or falls.
5. Surface of mattress must be at least 5" (127mm) below the upper edge of guardrails.
6. Do not allow children under 6 years of age to use the upper bunk.
7. Periodically check and ensure that the guardrail, ladder, and other components are in their proper position, free from damage, and that all connectors are tight.
8. Do not allow horseplay on or under the bed and prohibit jumping on the bed.
9. Always use the ladder for entering and leaving the upper bunk.
10. Do not use substitute part. Contact the manufacture or dealer for replacement part.
11. Use of a night light may provide added safety precaution for a child using the upper bunk.
12. Always use guardrails on both long sides of the upper bunk. If the bunk bed will be placed next to the wall, the guardrail that runs the full length of the bed should be placed against the wall to prevent entrapment between the bed and wall.
13. The use of water or sleep flotation mattresses is prohibited.
14. STRANGULATION HAZARD - Never attach or hang items to any part of the bunk bed that are not designed for use with the bed; for example, but not limited to, hook, belts and jump ropes.
15. Keep these instruction for future reference.


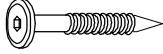


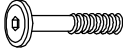
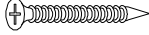
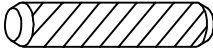


Detail View



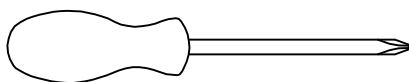
Part List

A  Upper Leg - 2pcs	A1  Upper Leg - 2pcs	B  Middle Leg - 2pcs
B1  Middle Leg - 2pcs	C  Lower Leg - 2pcs	C1  Lower Leg - 2pcs
E  Hb. Fb. Top Panel - 6pcs	E1  Hb. Fb. Middle Panel - 6pcs	E2  Hb. Fb. Bottom Panel - 6pcs
G  Side Rail Lower (Front & Back) - 2pcs	G1  Side Rail Middle (Front) - 1pc	G2  Side Rail Middle & Upper (Back) - 2pcs
G3  Side Rail Upper (Front) - 1pc	H  Guardrail Upper (Front) - 2pcs	H1  Guardrail Middle (Front) - 2pcs
I  Guardrail Middle & Upper (Back) - 4pcs	J  Guardrail Spindle - 4pcs	L  Ladder Rail Left (Short) - 1pc
L1  Ladder Rail Left (Long) - 1pc	L2  Ladder Rail Right (Long) - 1pc	L3  Ladder Rail Right (Short) - 1pc
M  Ladder Step - 9pcs	N  Bed Slats - 24pcs	

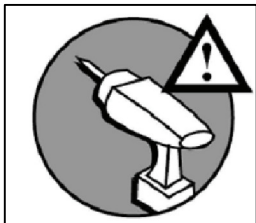
Hardware List

1  M6 x 90mm JCBC (60pcs)	2  M6 x 50mm JCBC-W (32pcs)	3  M6 x 15mm Barrel Nut (60pcs)
4  M10 x 30mm Wood Dowel (102pcs)	5  M6 x 30mm JCBC (12pcs)	6  M4 x 38mm CSK Screw (48pcs)
7  M16 x 75mm Wood Dowel (8pcs)	8  Sticker Cap (20pcs)	9  M4 Allen Key (1pc)

ASSEMBLY TOOLS REQUIRED (NOT INCLUDED)






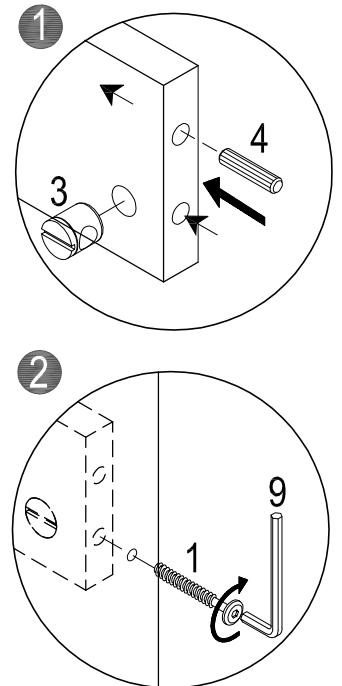
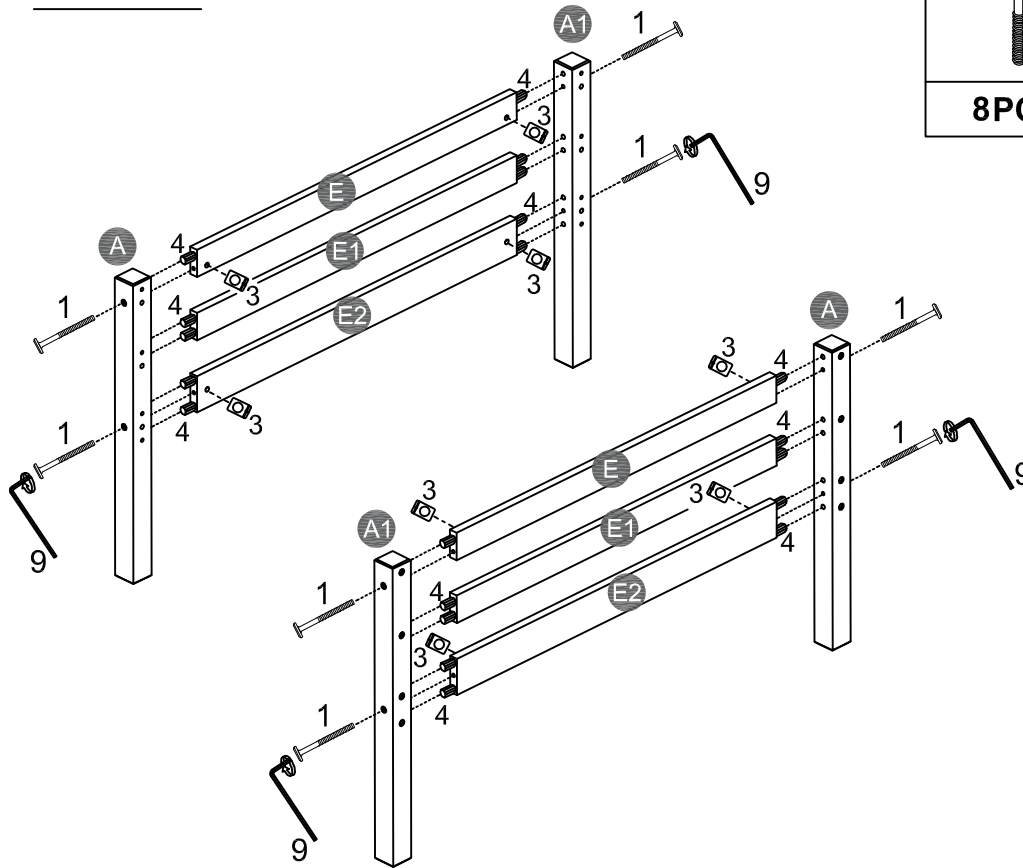
(Phillip head screwdriver)







DO NOT USE POWER TOOLS TO ASSEMBLE THIS PRODUCT!

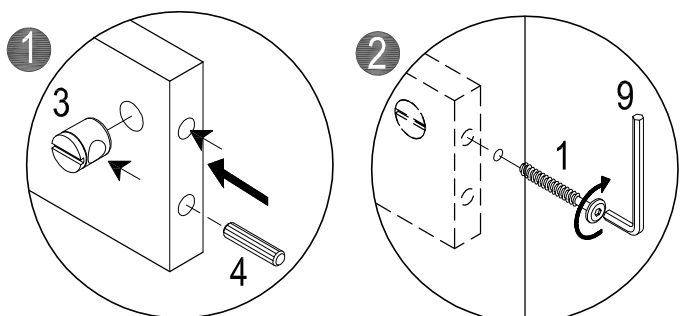
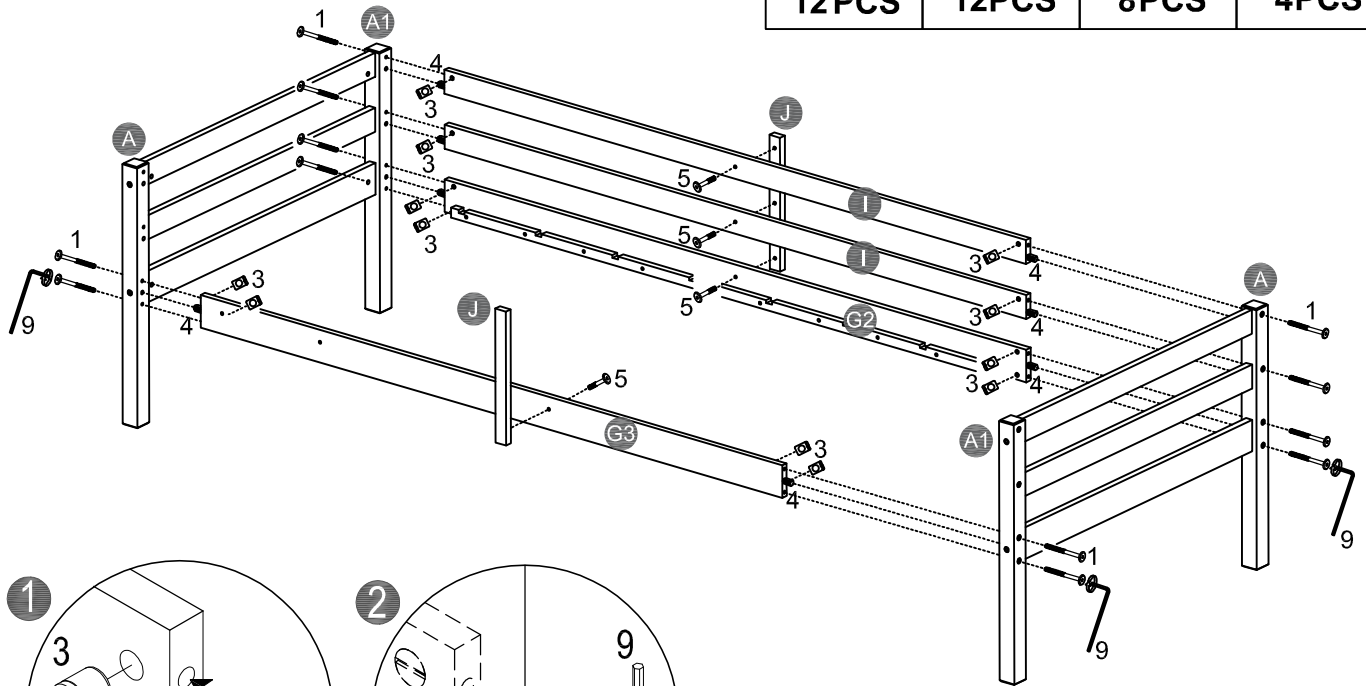
STEP 1:

1		3		4	
8PCS		8PCS		20PCS	







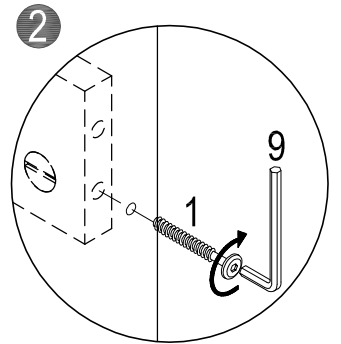
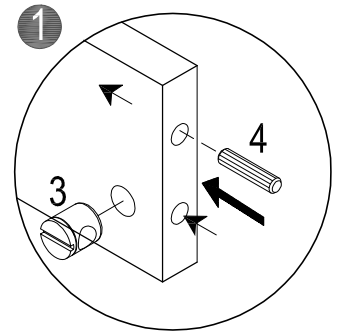
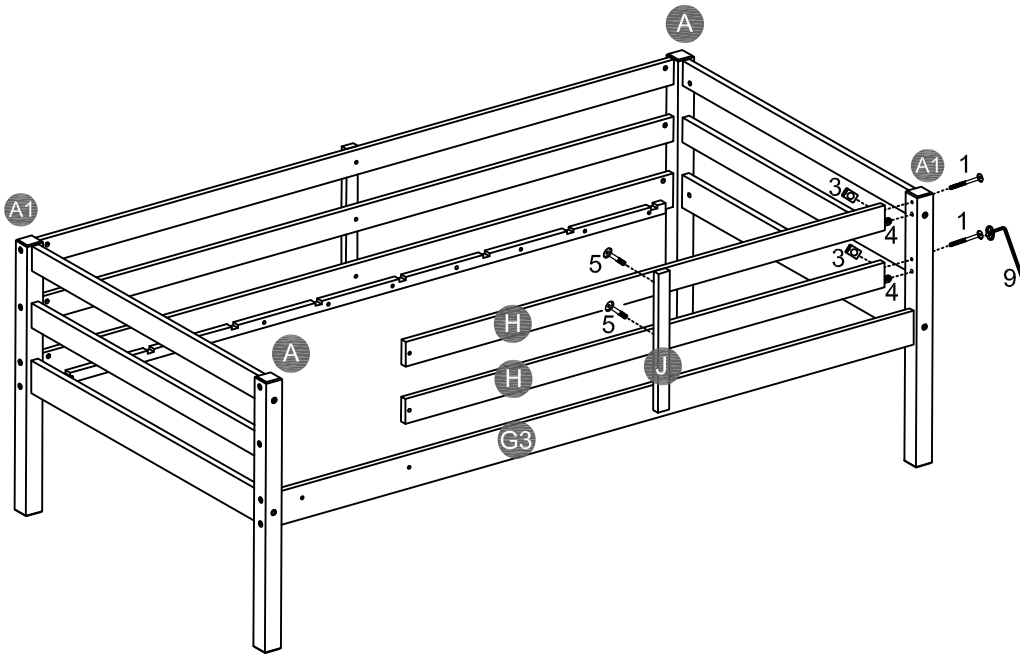
STEP 2:

1		3		4		5	
12PCS		12PCS		8PCS		4PCS	




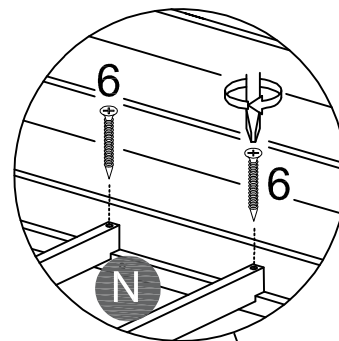
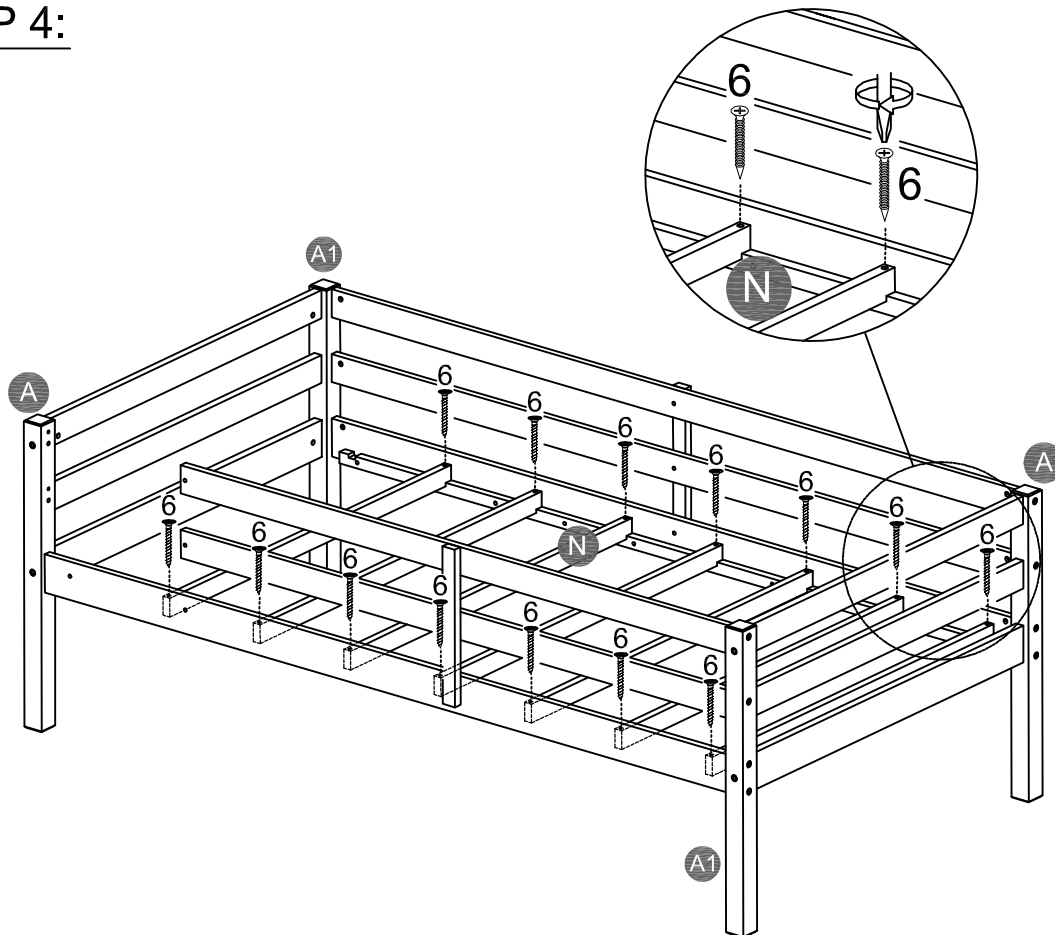
STEP 3:

1		3		4		5	
2PCS		2PCS		2PCS		2PCS	






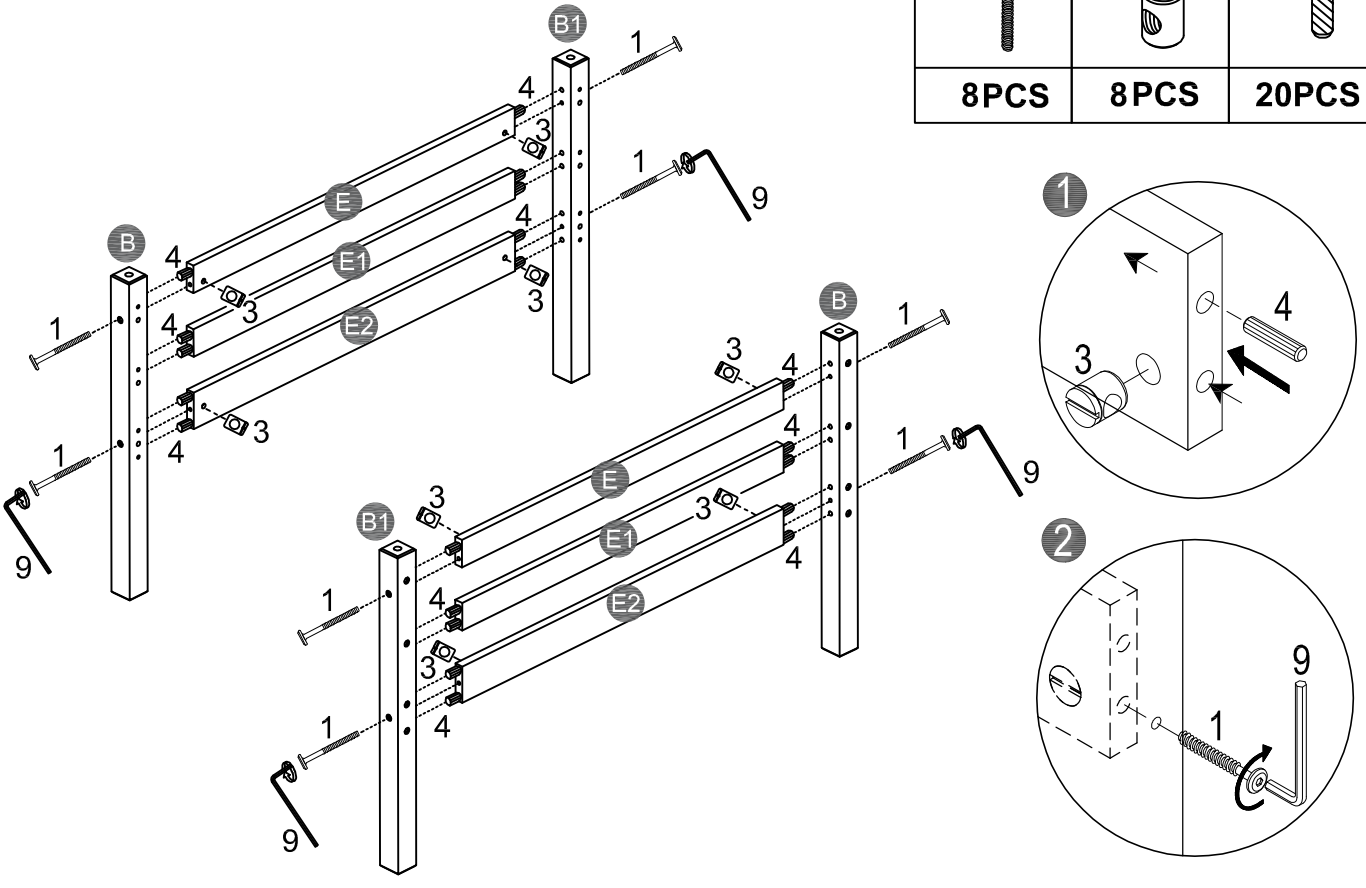
STEP 4:

6	
14PCS	







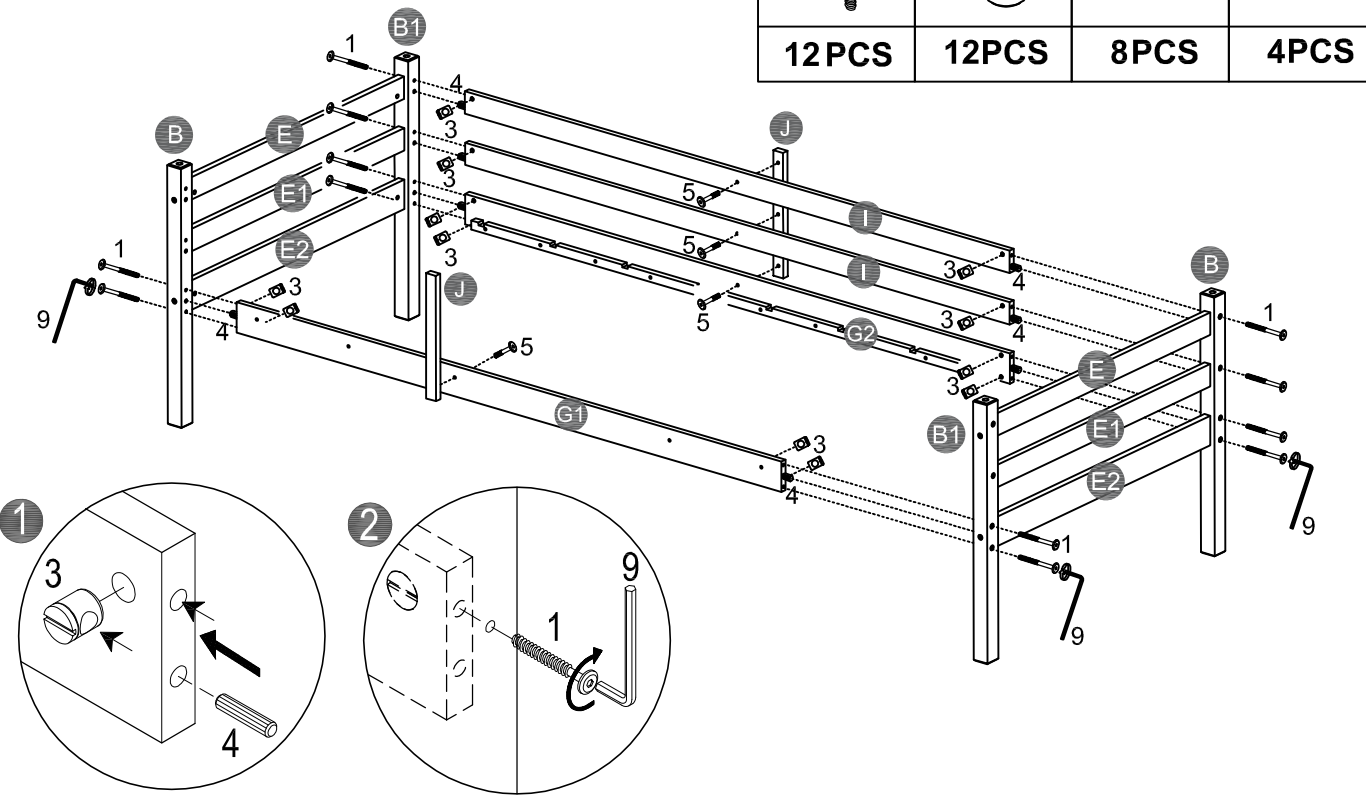
STEP 5:

1		3		4	
8PCS		8PCS		20PCS	







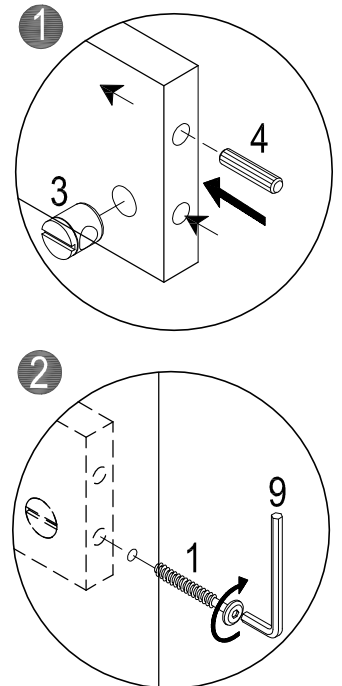
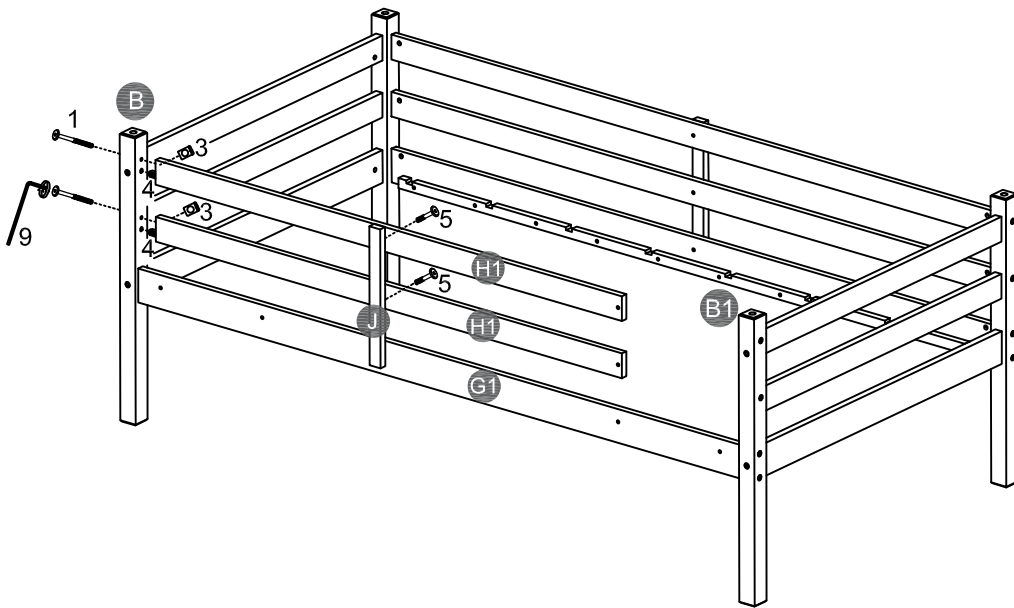
STEP 6:

1		3		4		5	
12PCS		12PCS		8PCS		4PCS	




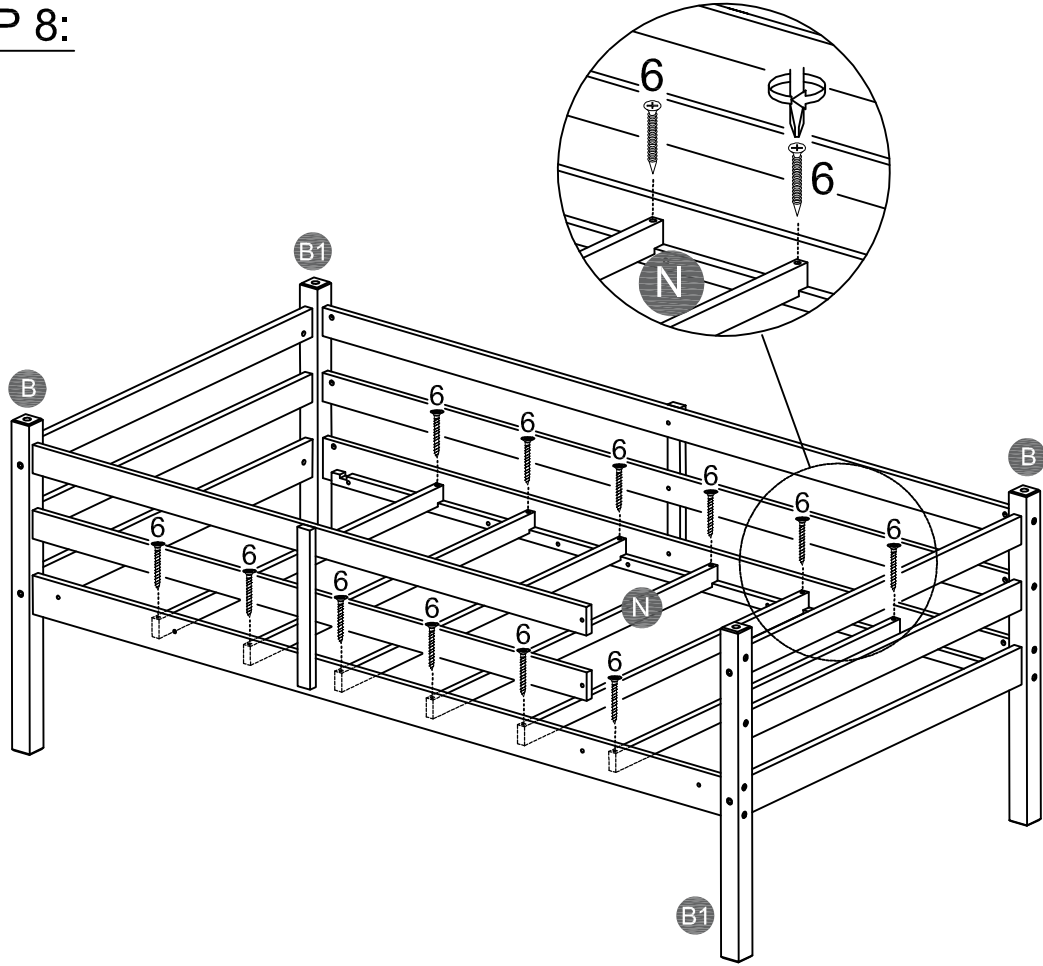
STEP 7:

1		3		4		5	
2PCS		2PCS		2PCS		2PCS	






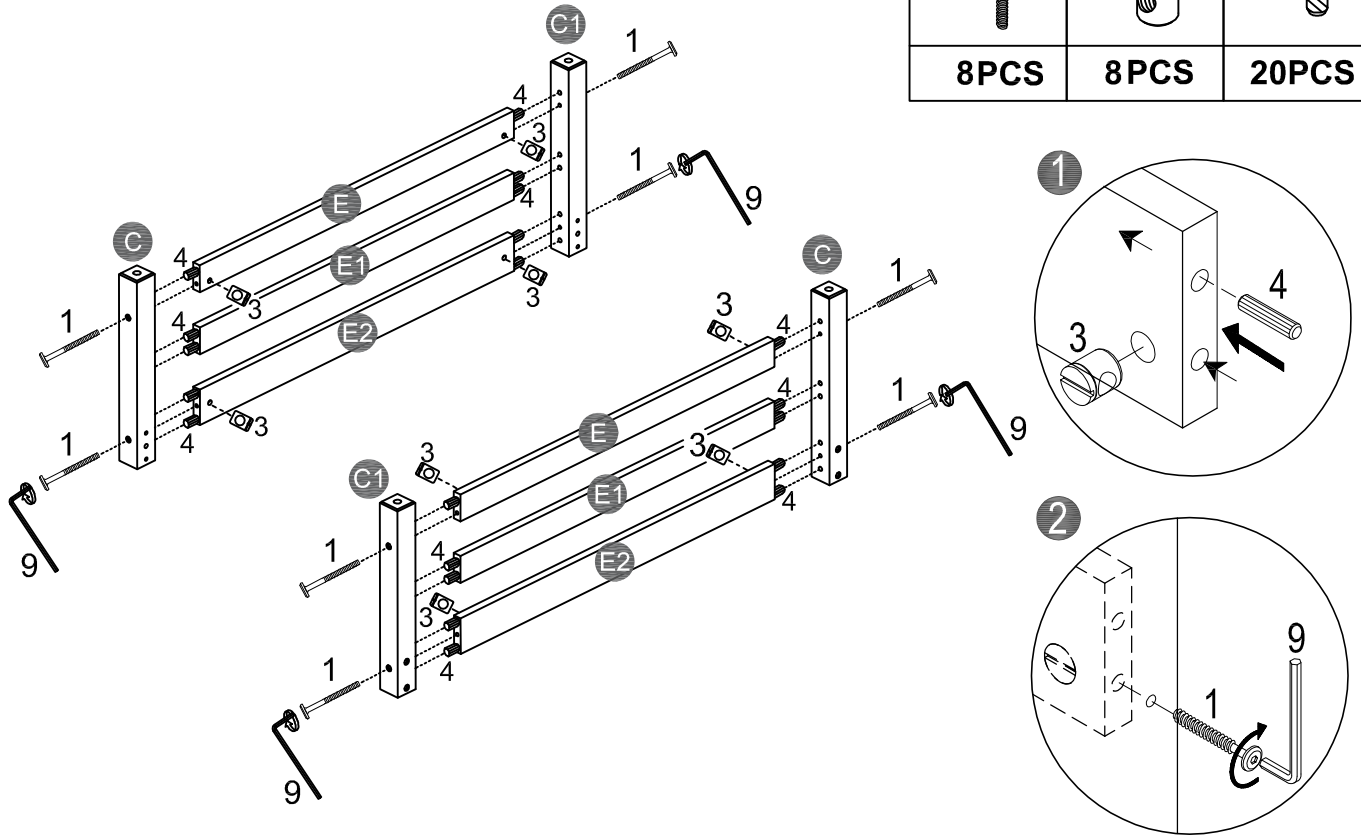
STEP 8:

6	
12PCS	






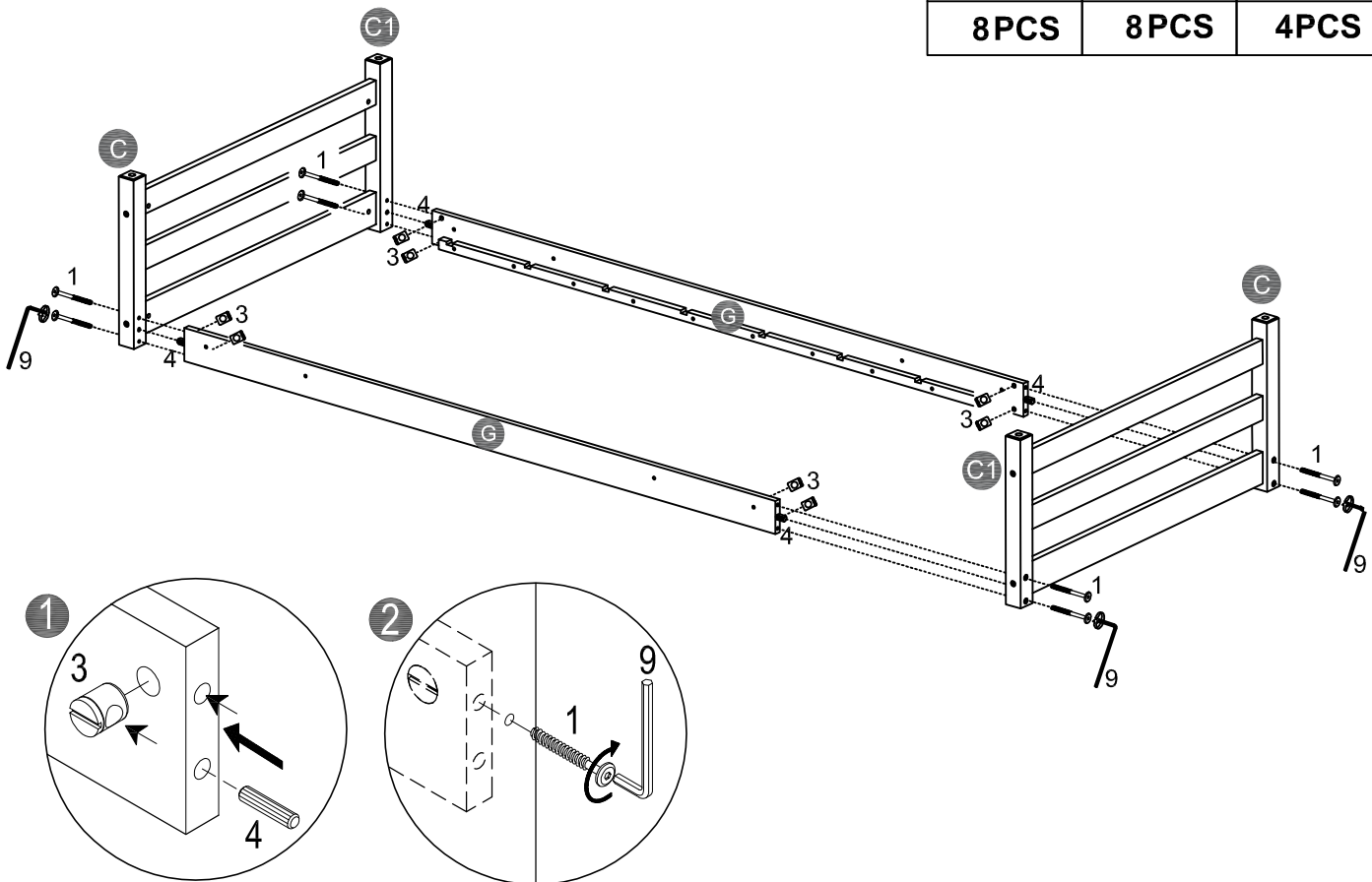
STEP 9:

1		3		4	
8PCS		8PCS		20PCS	

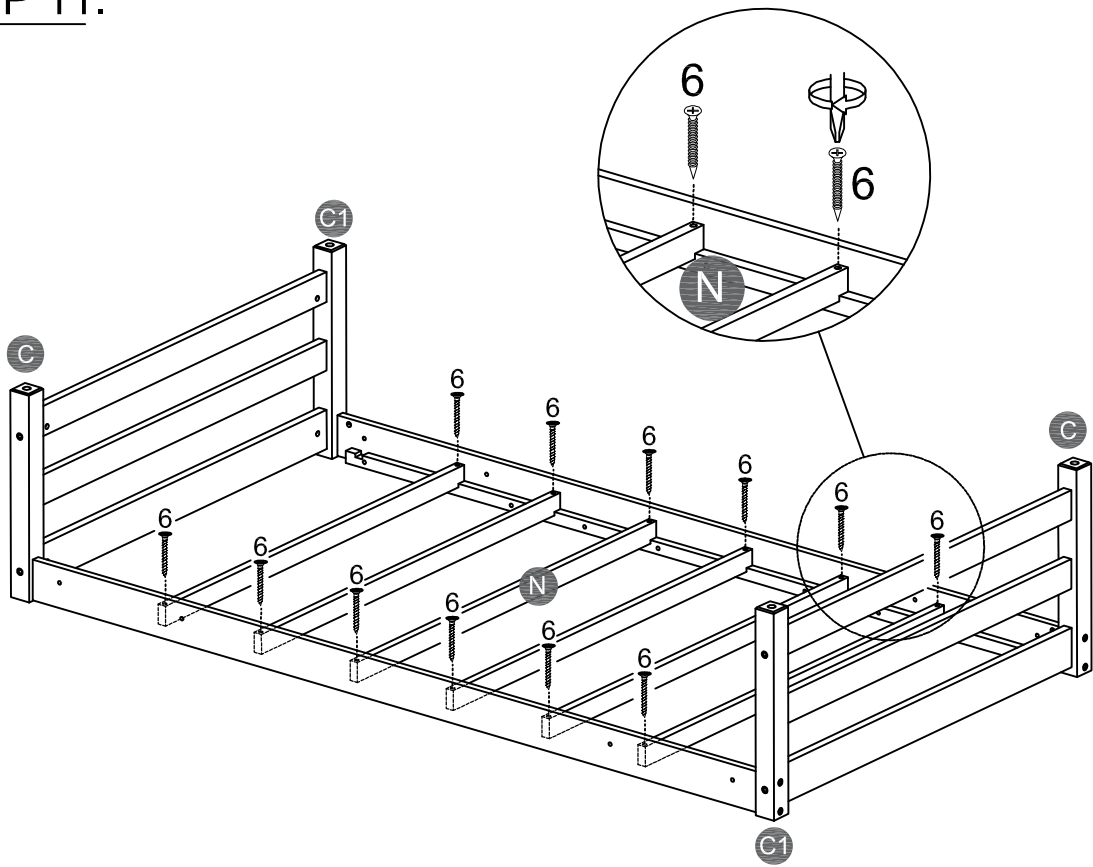


STEP 10:

1		3		4	
8PCS		8PCS		4PCS	



STEP 11:

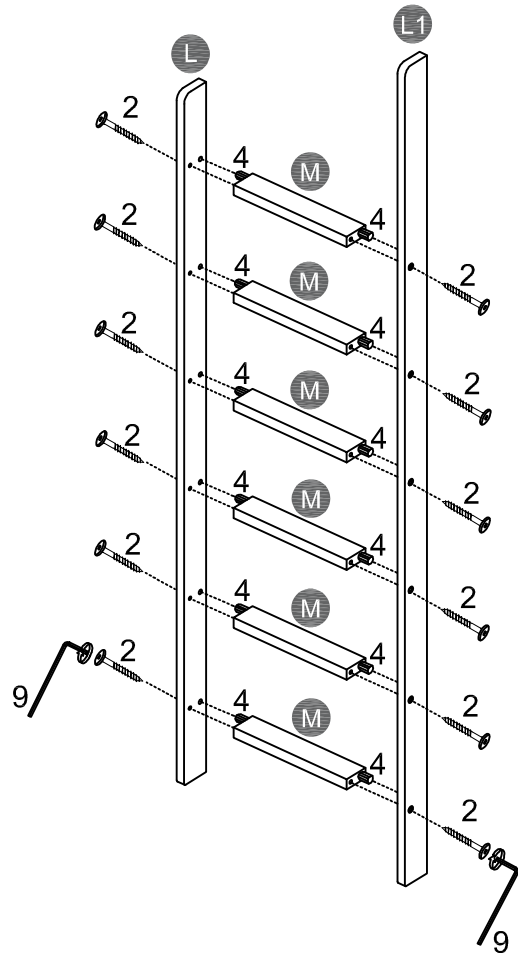


6



12PCS

STEP 12:



2

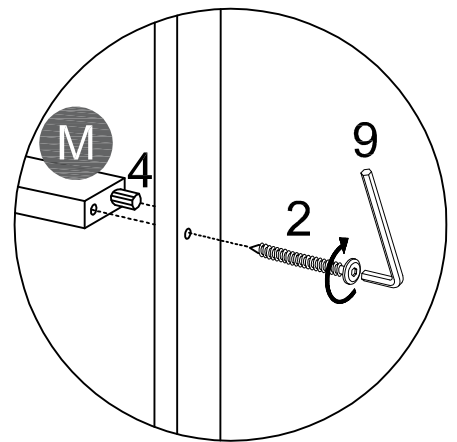


12PCS

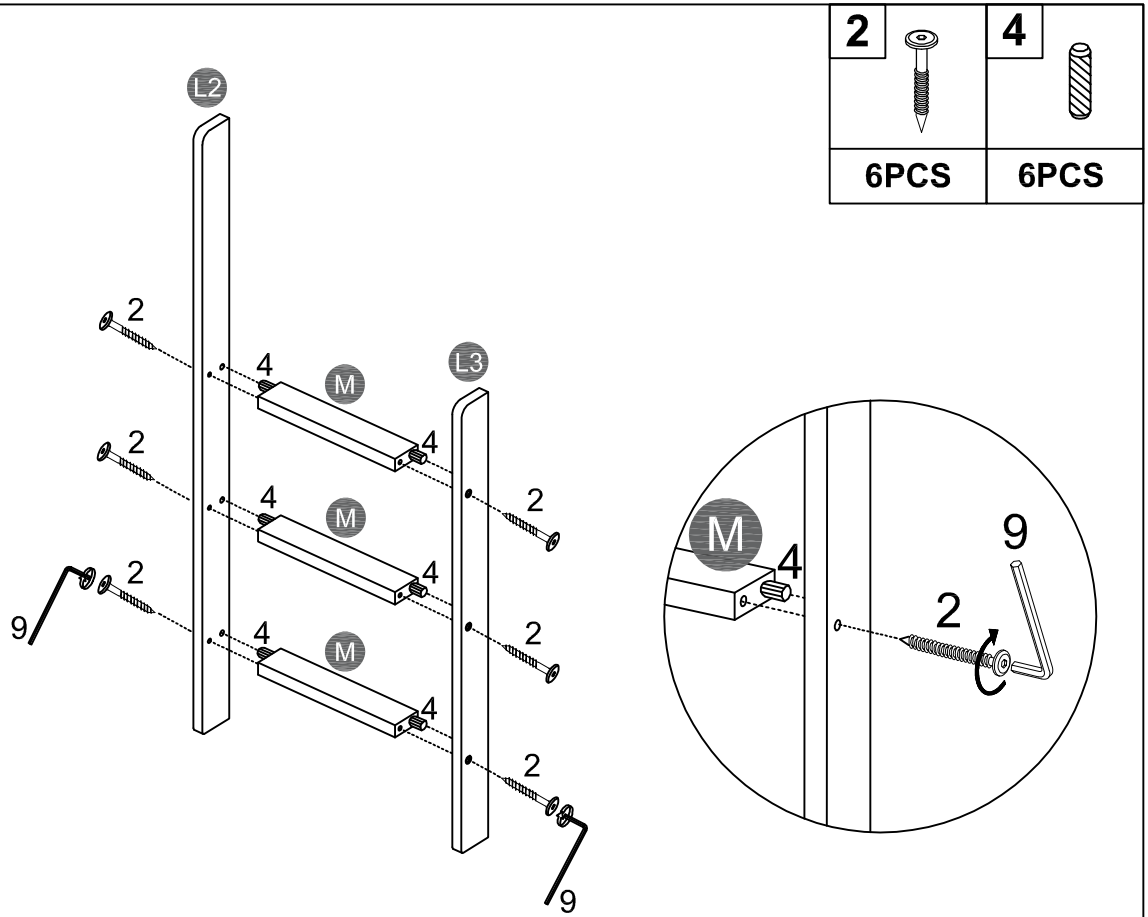
4



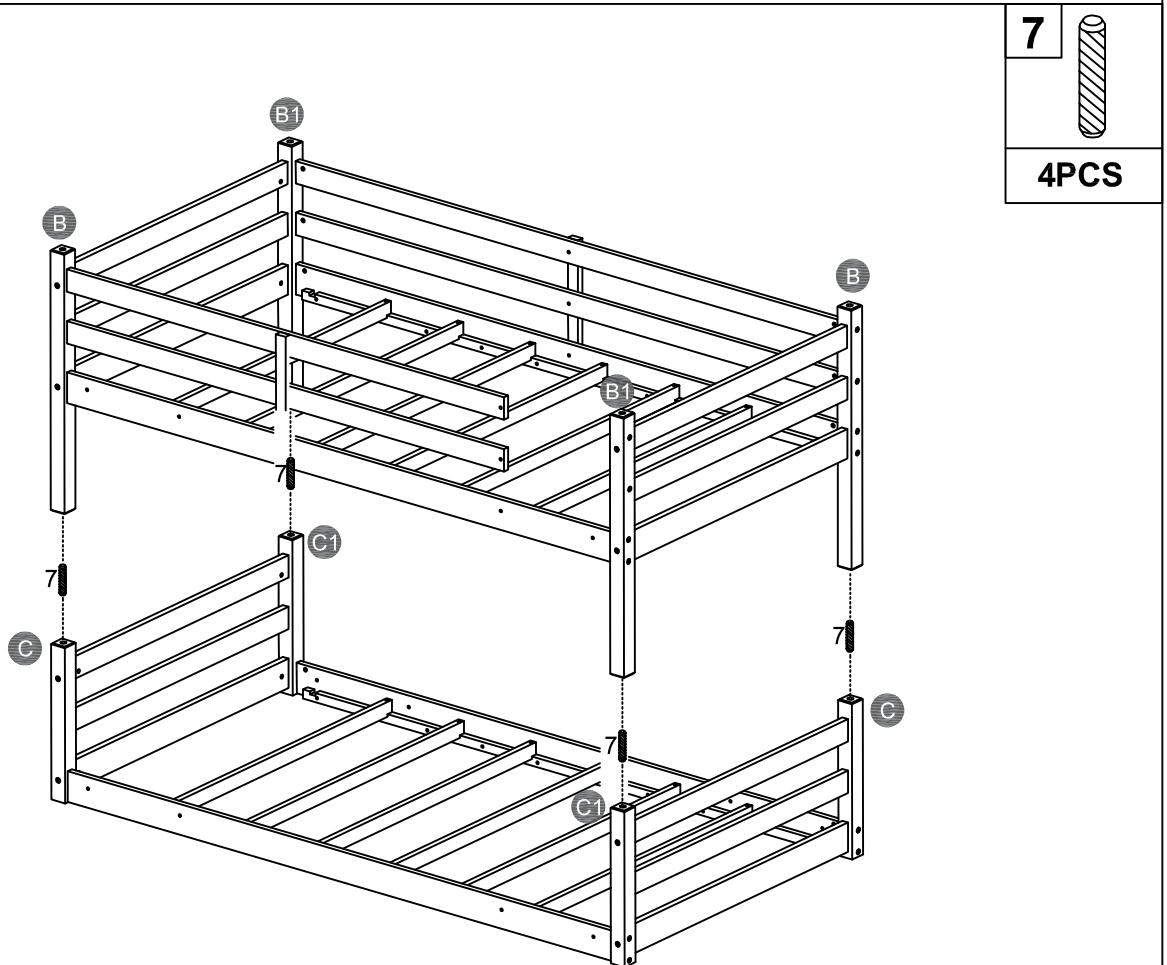
12PCS



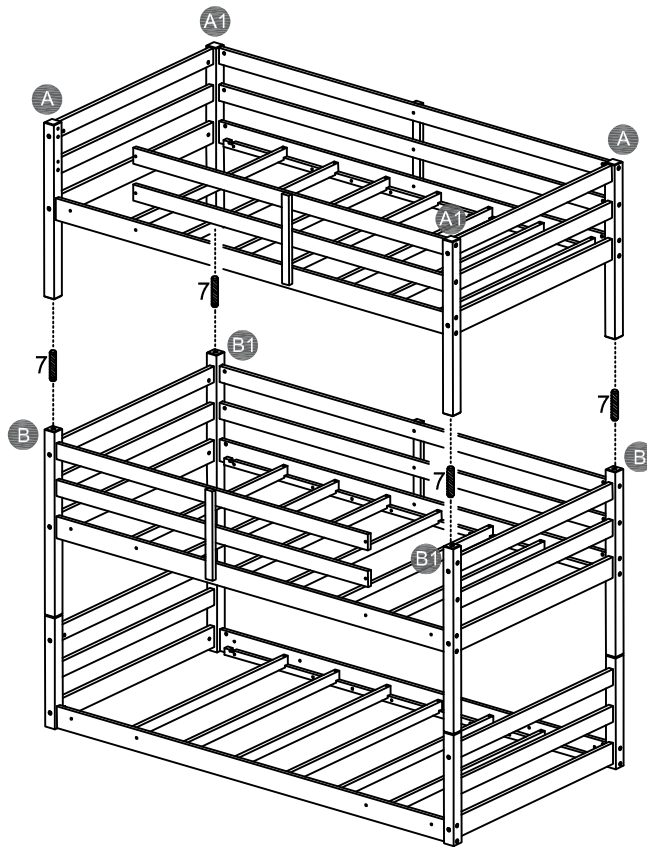
STEP 13:



STEP 14:



STEP 15:

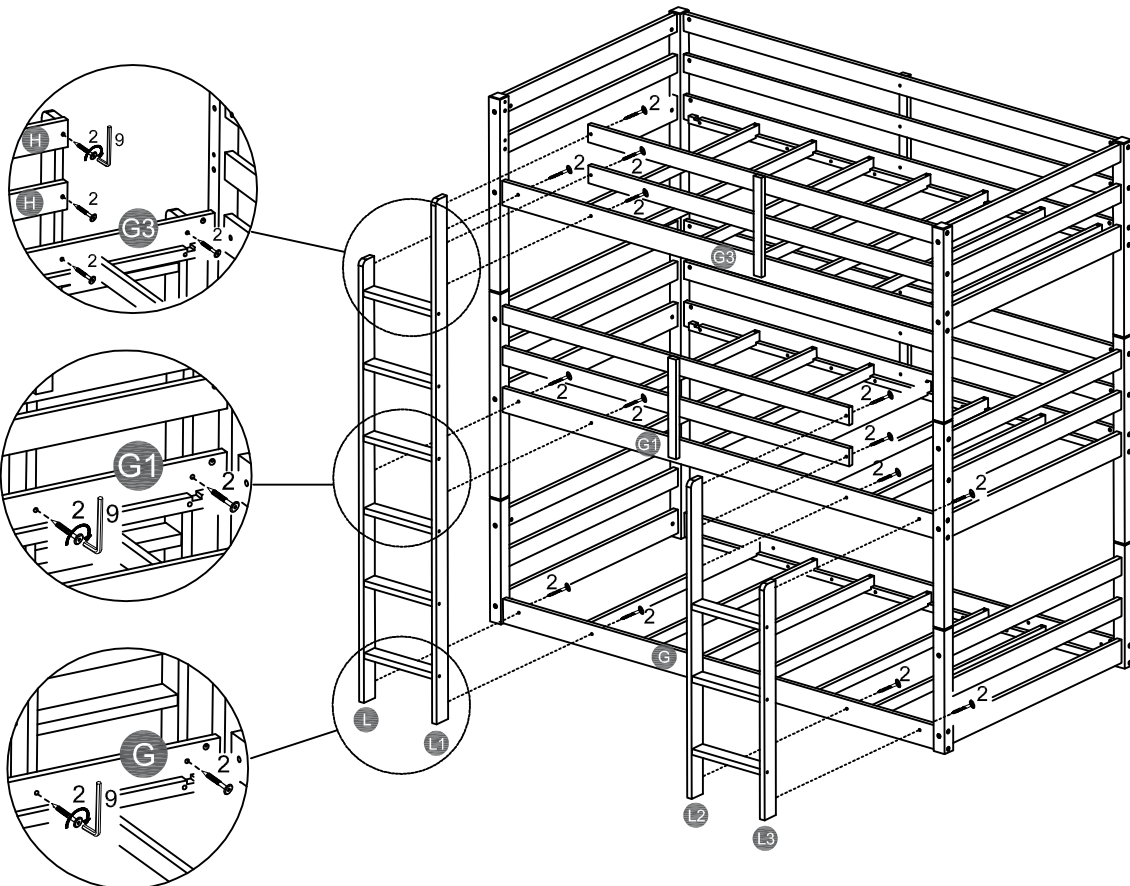


7



4PCS

STEP 16:



2



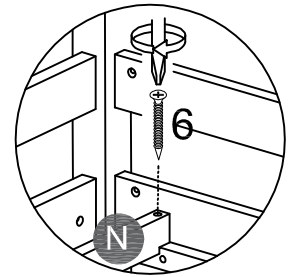
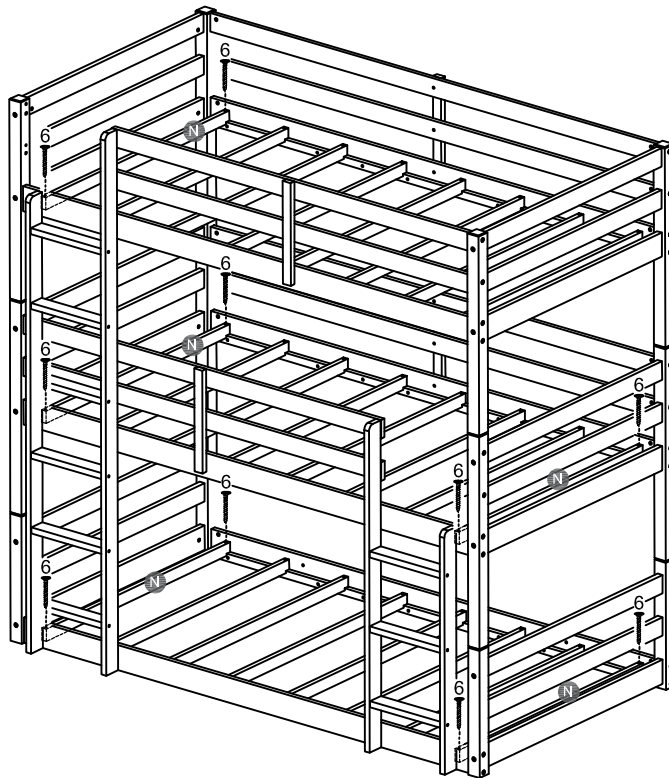
14PCS

STEP 17:

6



10PCS

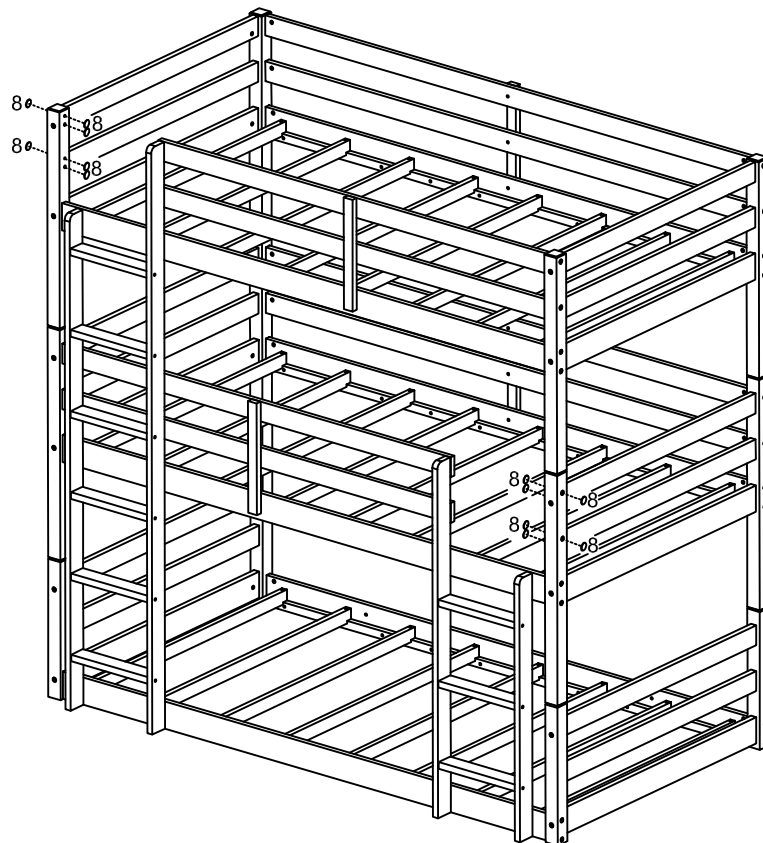


STEP 18:

8

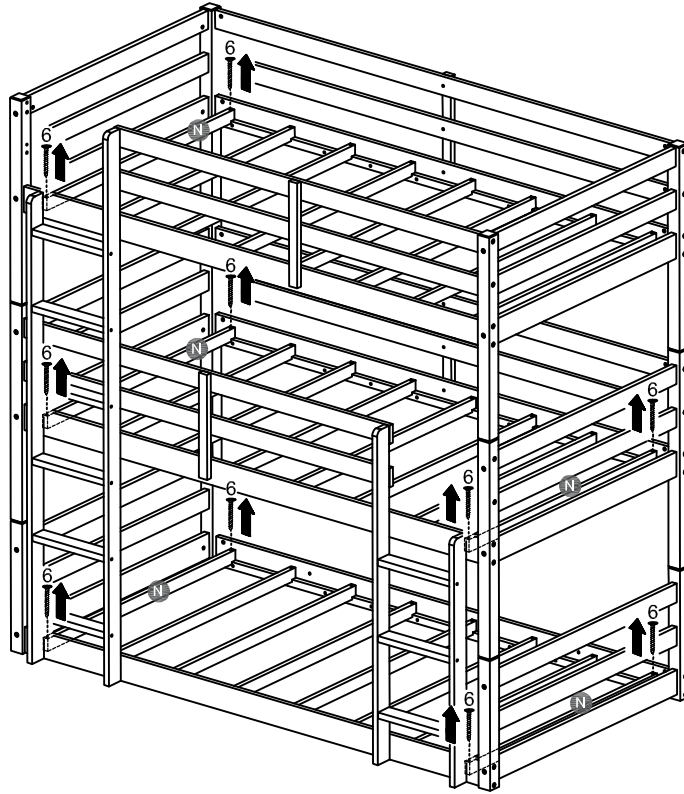


12PCS

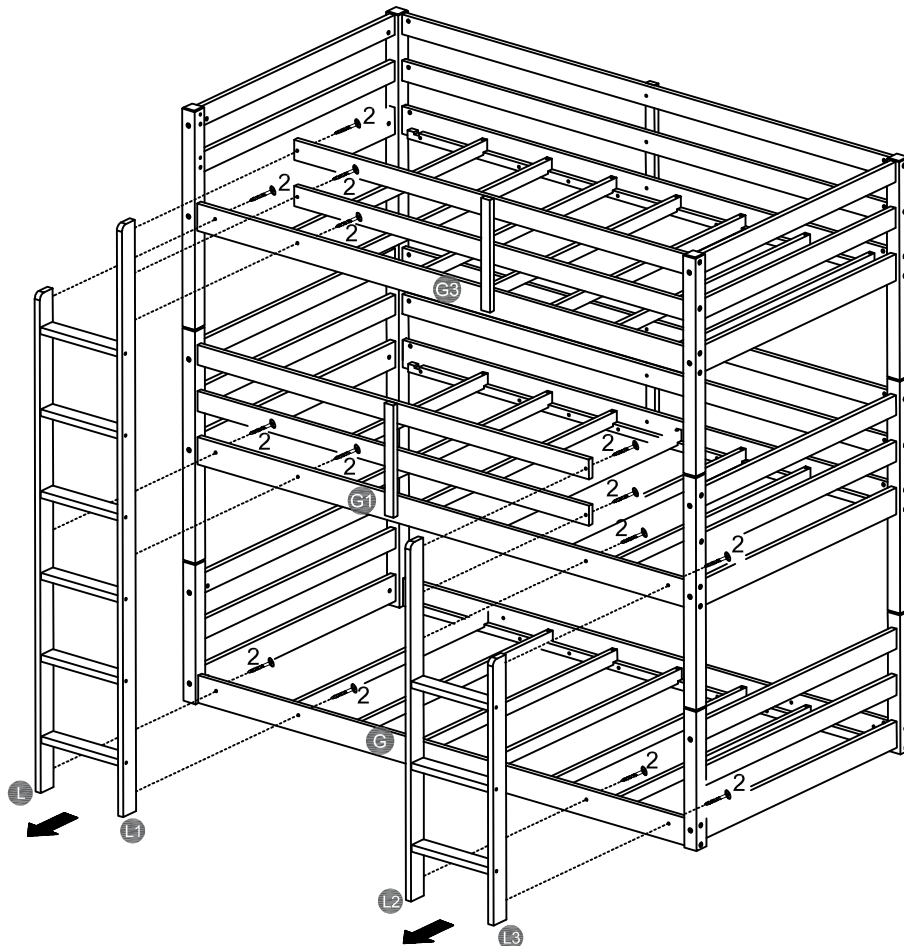


STEP 1:

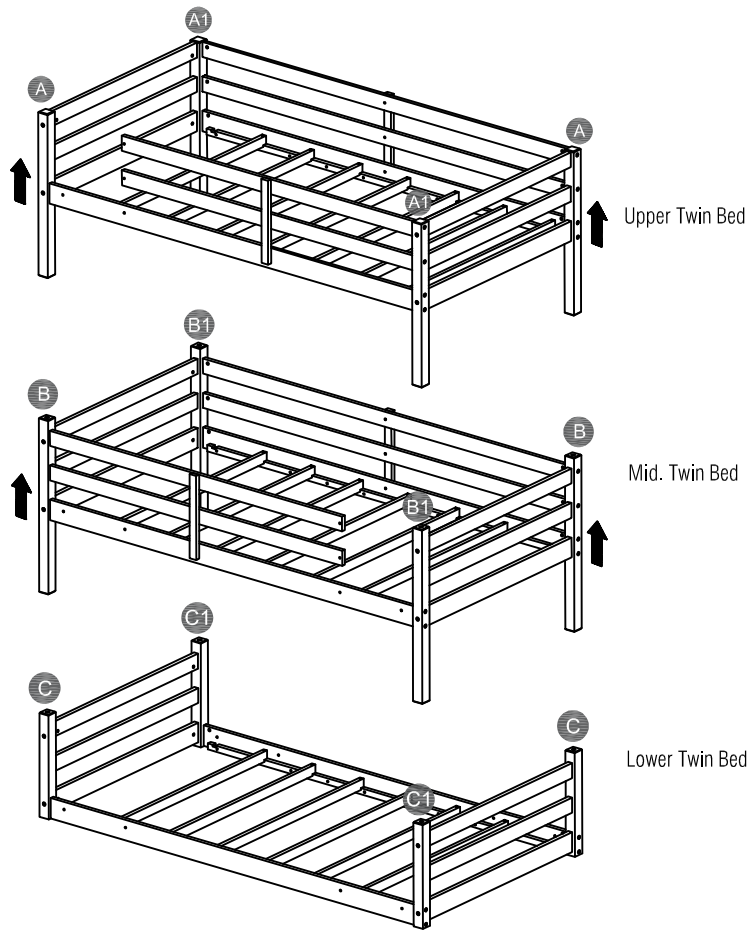
Converting the Bunk Bed into Three Single Beds



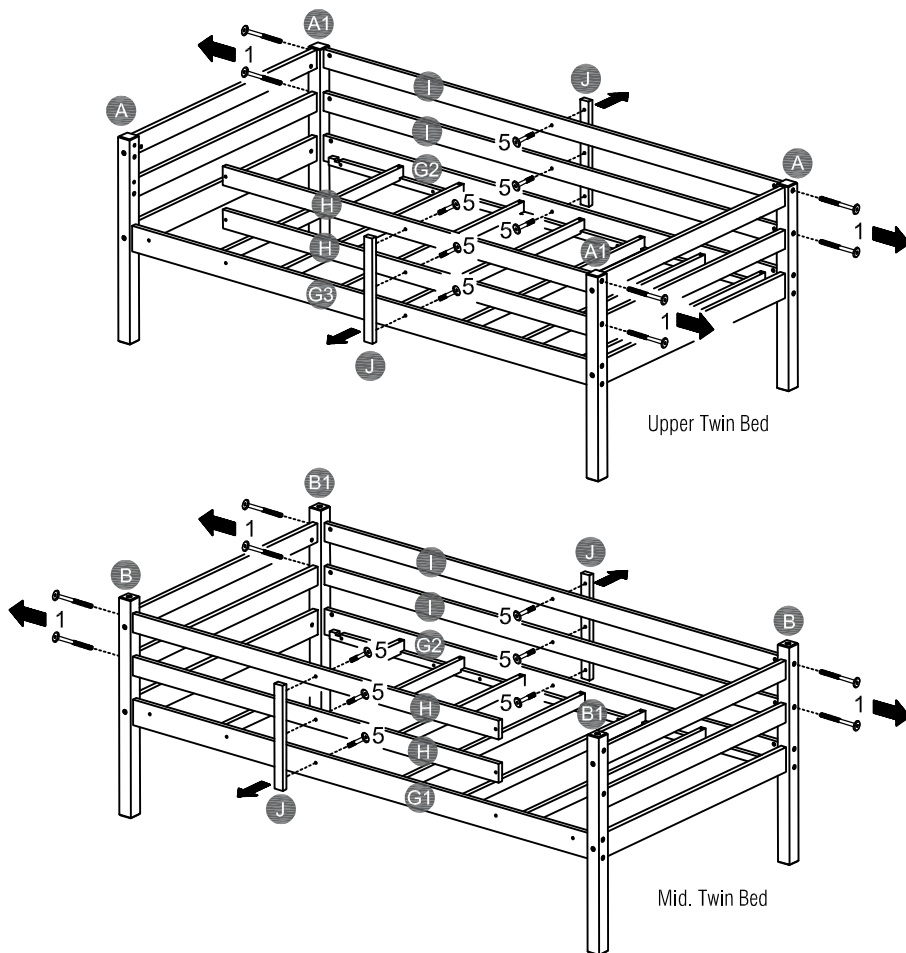
STEP 2:



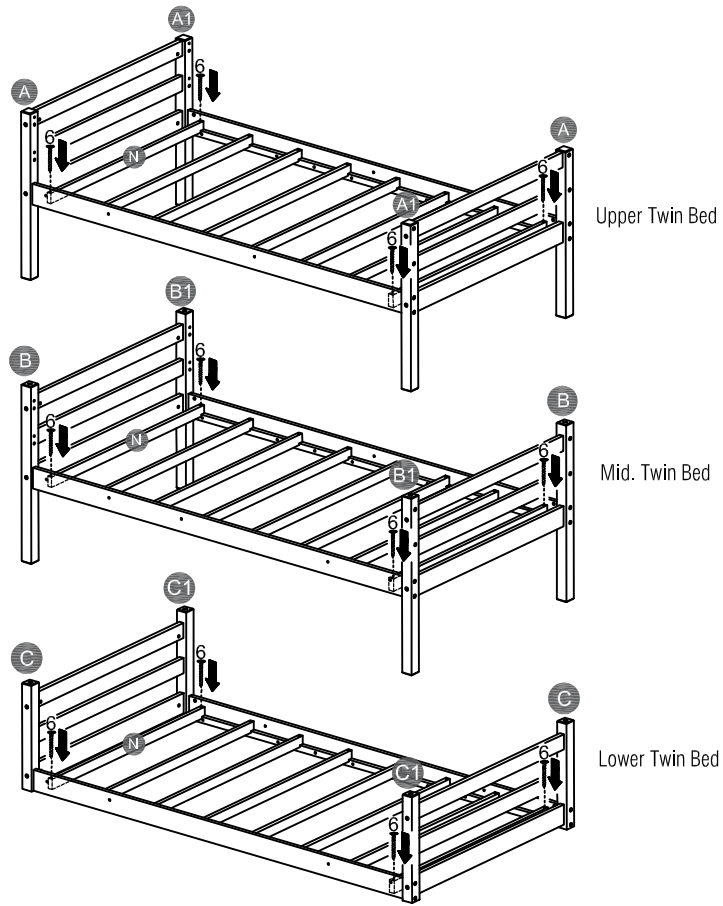
STEP 3:



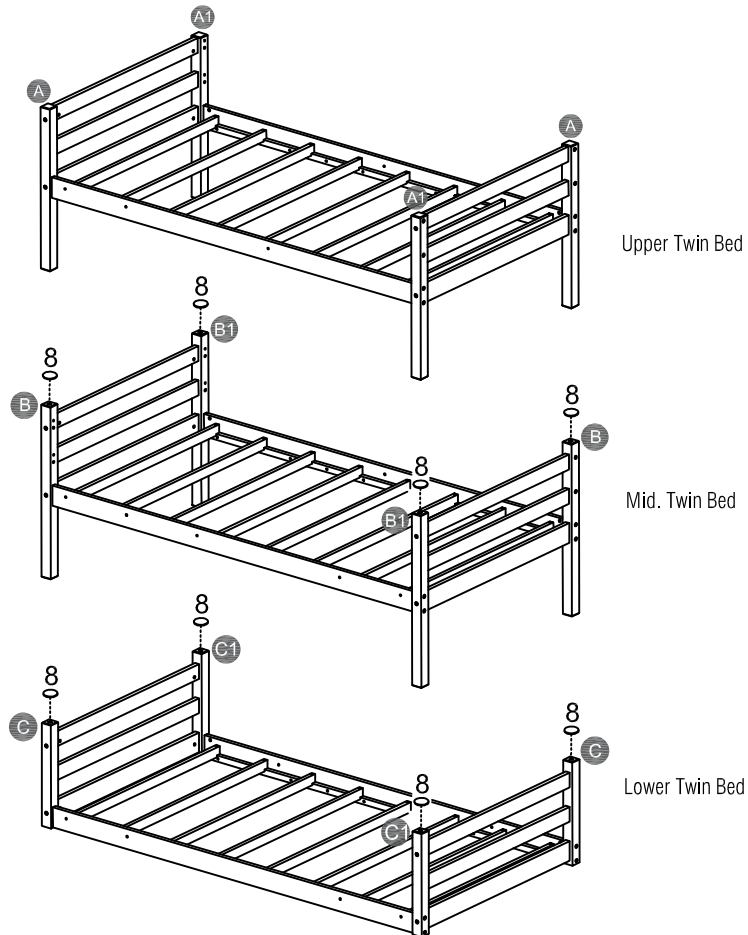
STEP 4:



STEP 5:



STEP 6:



8



8PCS

