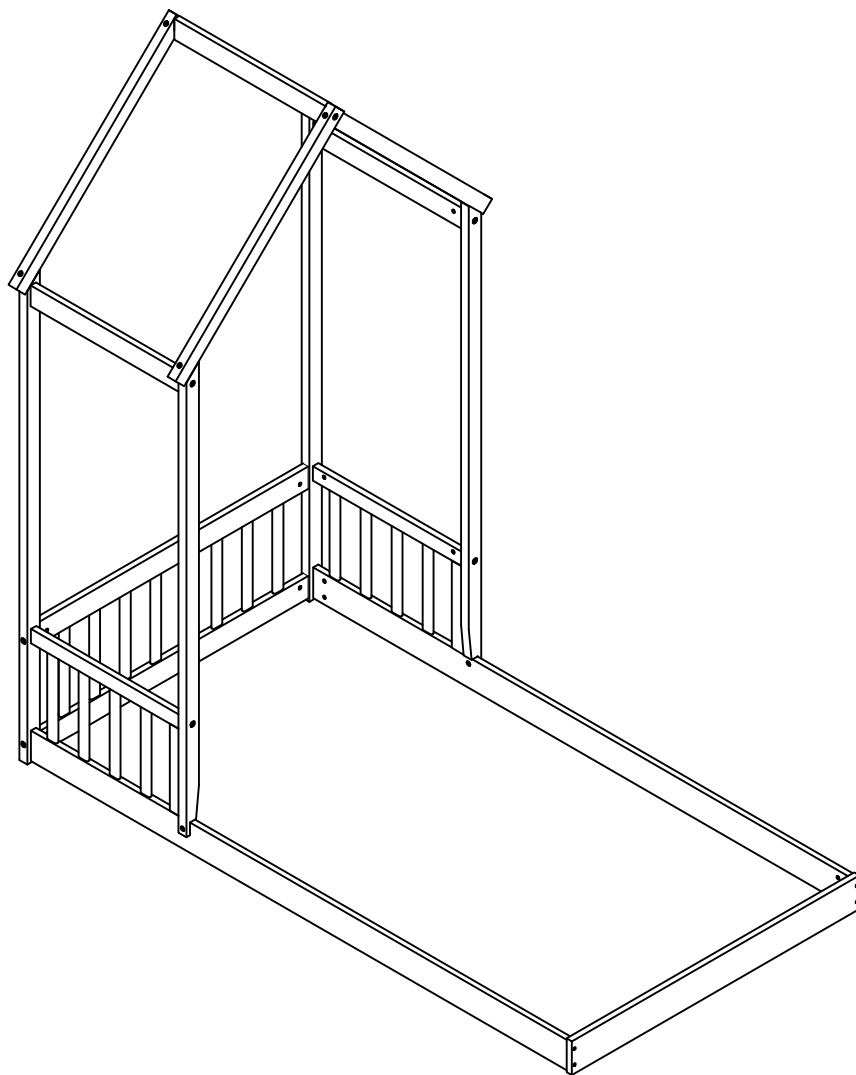
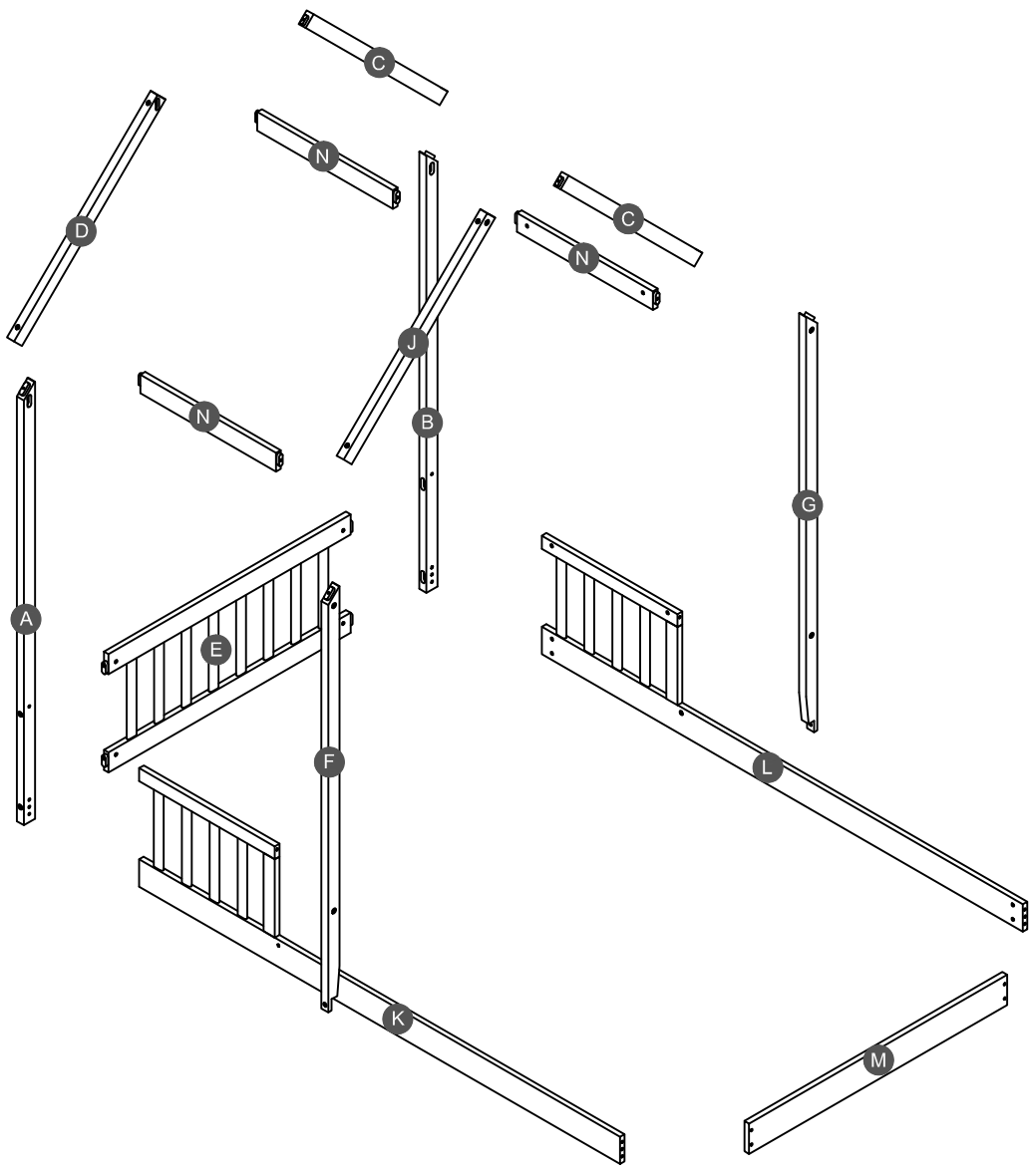


ASSEMBLY INSTRUCTIONS

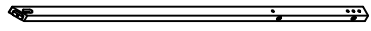
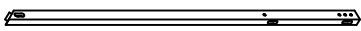
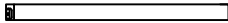
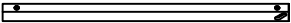
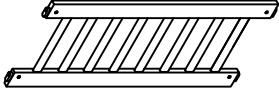
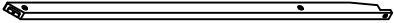
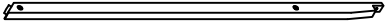
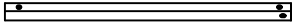

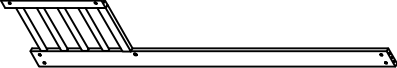
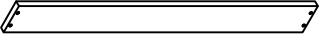

TWIN BED WITH ROOF (NO SLATS)



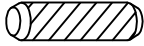
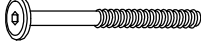




Detail View



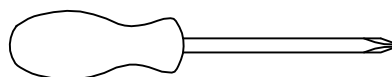
Part List

A  Leg HB (Left Front) - 1pc	B  Leg HB (Left Back) - 1pc	C  Upper (Back) - 2pcs
D  Upper (Front) - 1pc	E  Frame HB - 1pc	F  Vertical bar (Front) - 1pc
G  Vertical bar (Back) - 1pc	J  Upper (Front) - 1pc	K  Guard rail (Front) - 1pc
L  Guard rail (Back) - 1pc	M  Horizontal bar - 1pc	N  Horizontal bar (Upper) - 3pcs

Hardware List

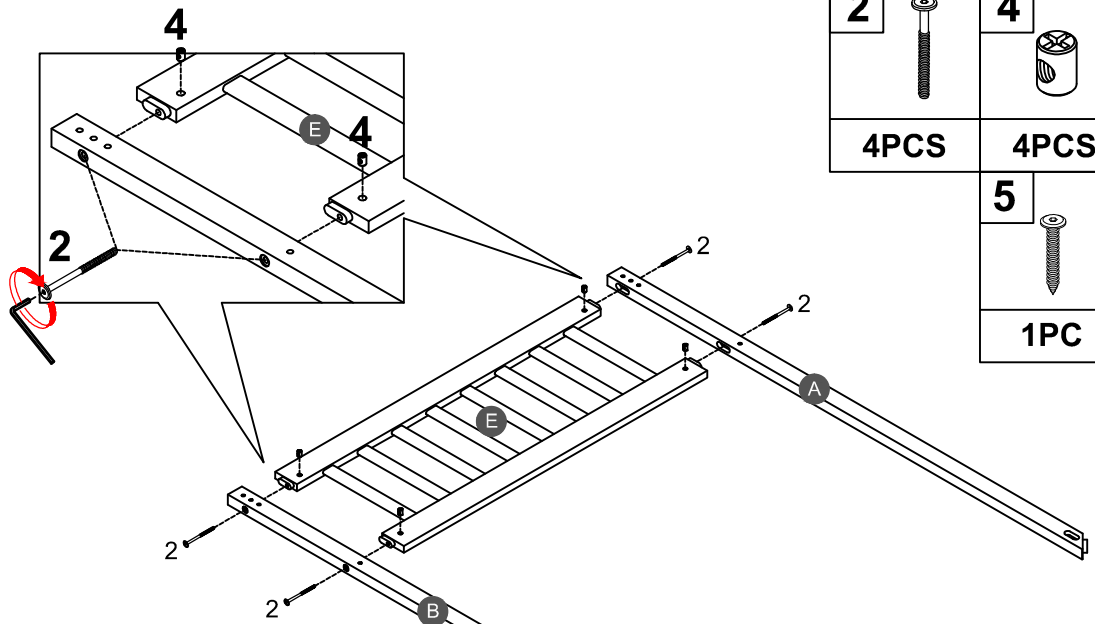
1  Ø8*30mm Wood dowel (4pcs)	2  (Ø15)1/4"*80mm Hex-Head bolts (22pcs)	3  (Ø12)1/4"*30mm Hex-Head bolts (2pcs)
4  1/4"*15 (9.5mm) Horizontal-Hole bolts(22pcs)	5  (Ø12)1/4"*65mm Hex-Head bolts (6pcs)	6  (1/4")4.5*58mm Allen key (1pc)

ASSEMBLY TOOLS REQUIRED (NOT INCLUDED)

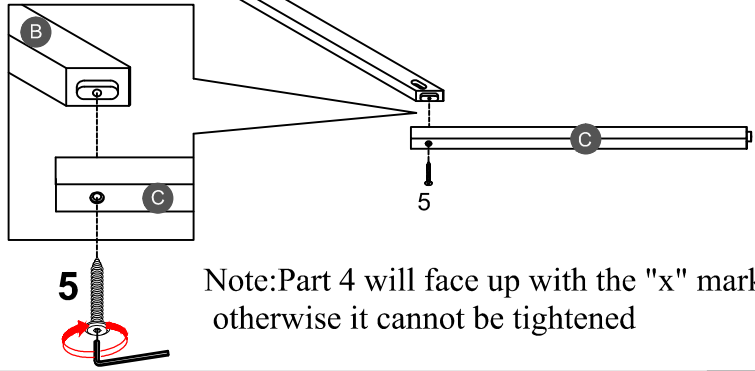
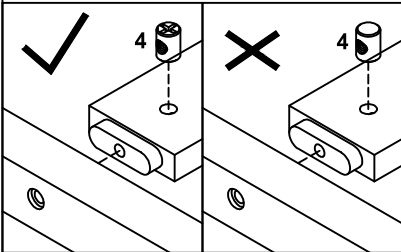


PLEASE BE CAREFUL DO NOT DAMAGE THE HOLE POSITION WHEN YOU USE POWER TOOLS !

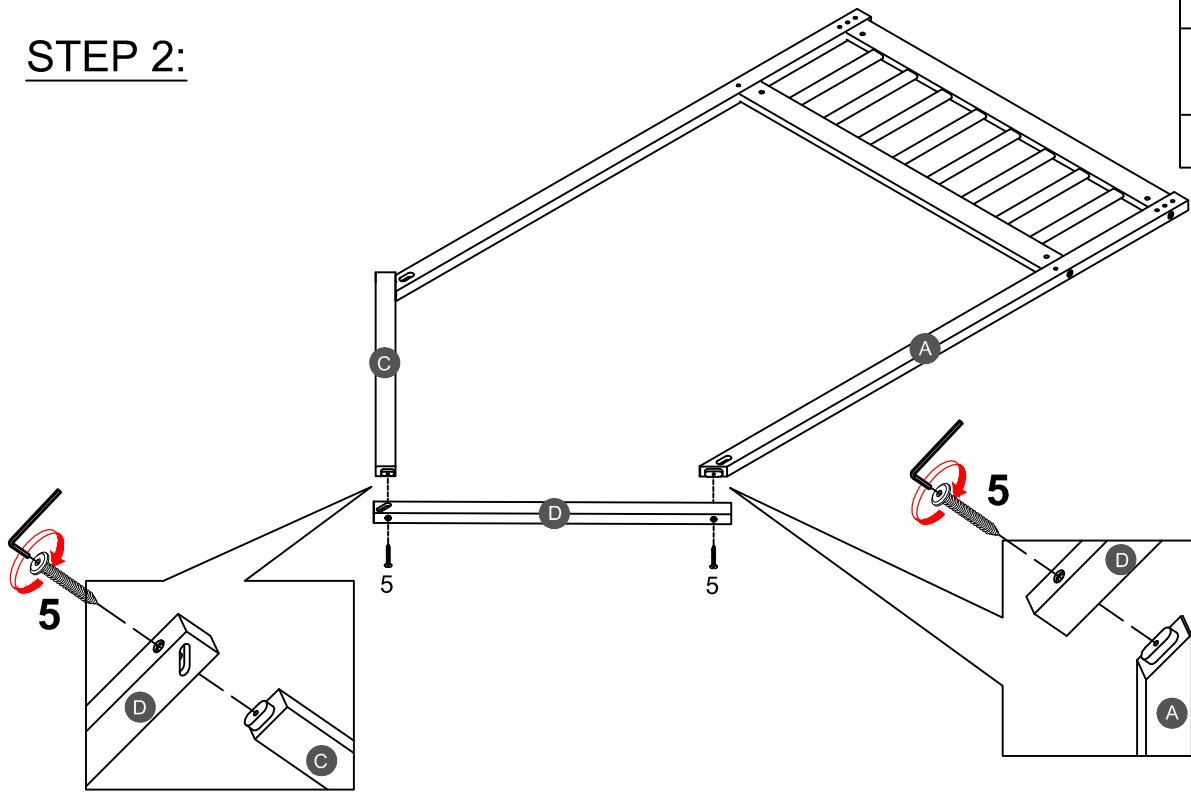
STEP 1:



2		4	
4PCS		4PCS	
		5	
		1PC	






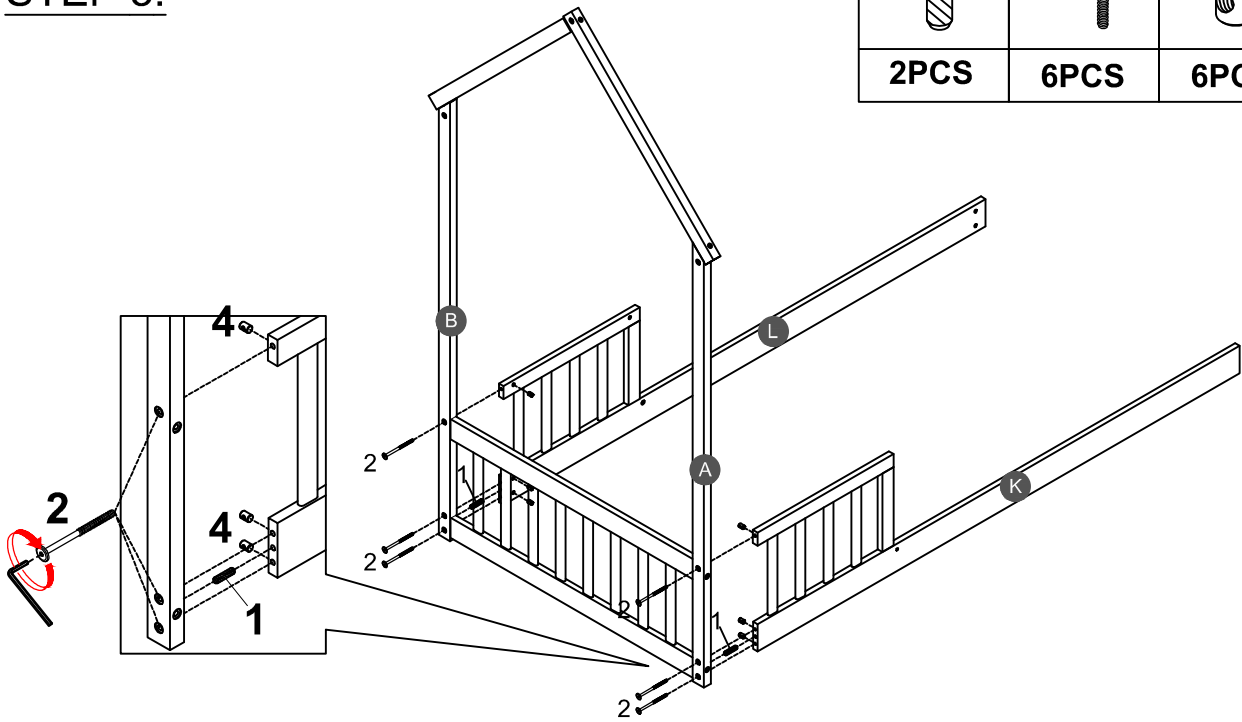
STEP 2:






5	
2PCS	

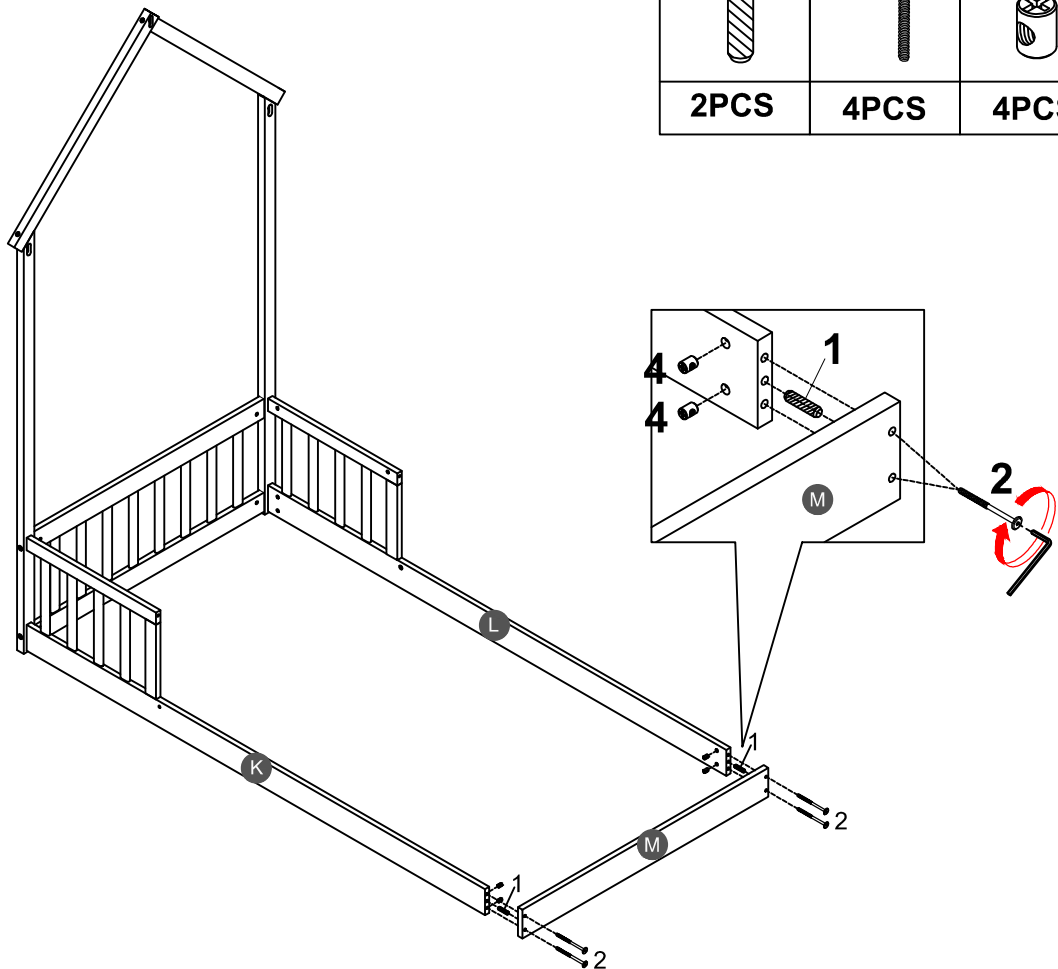
STEP 3:

1		2		4	
2PCS		6PCS		6PCS	

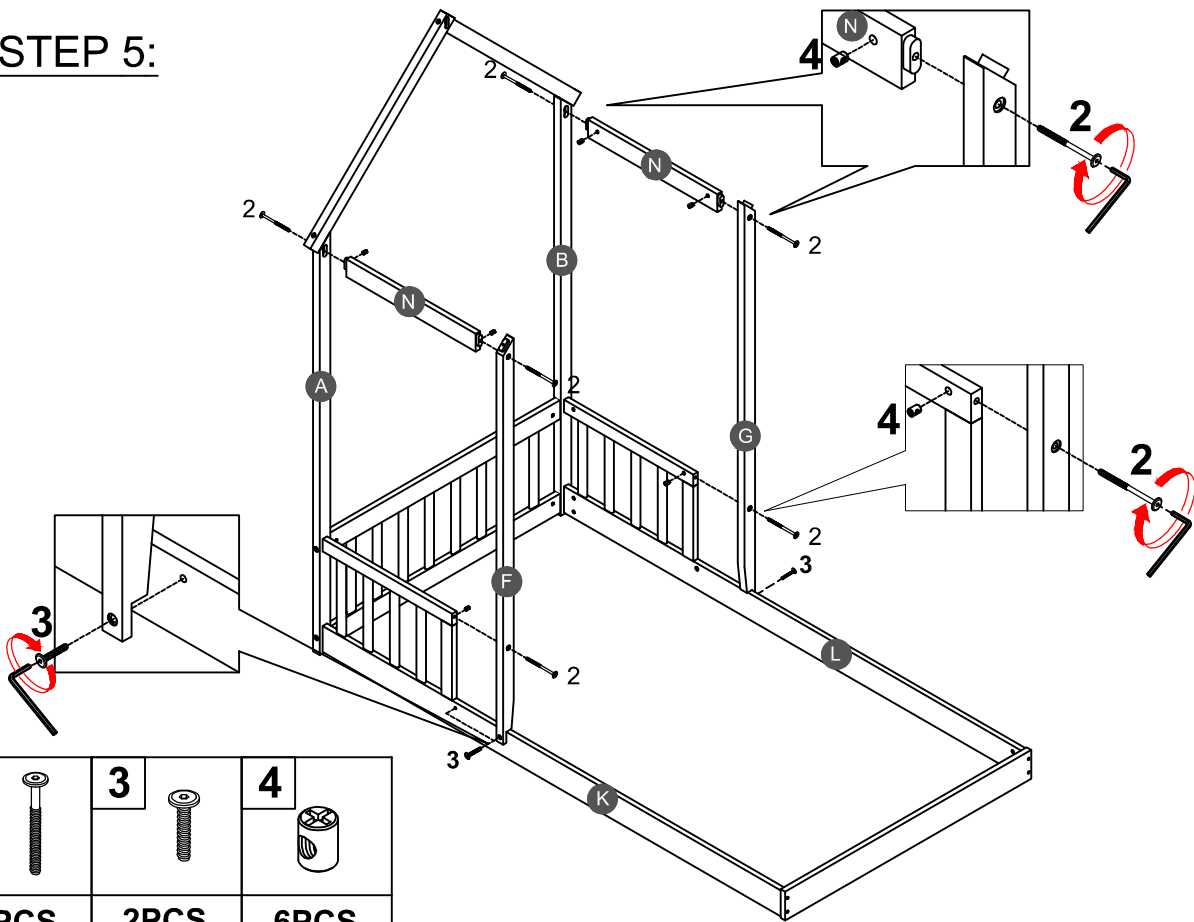


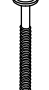


STEP 4:

1		2		4	
2PCS		4PCS		4PCS	

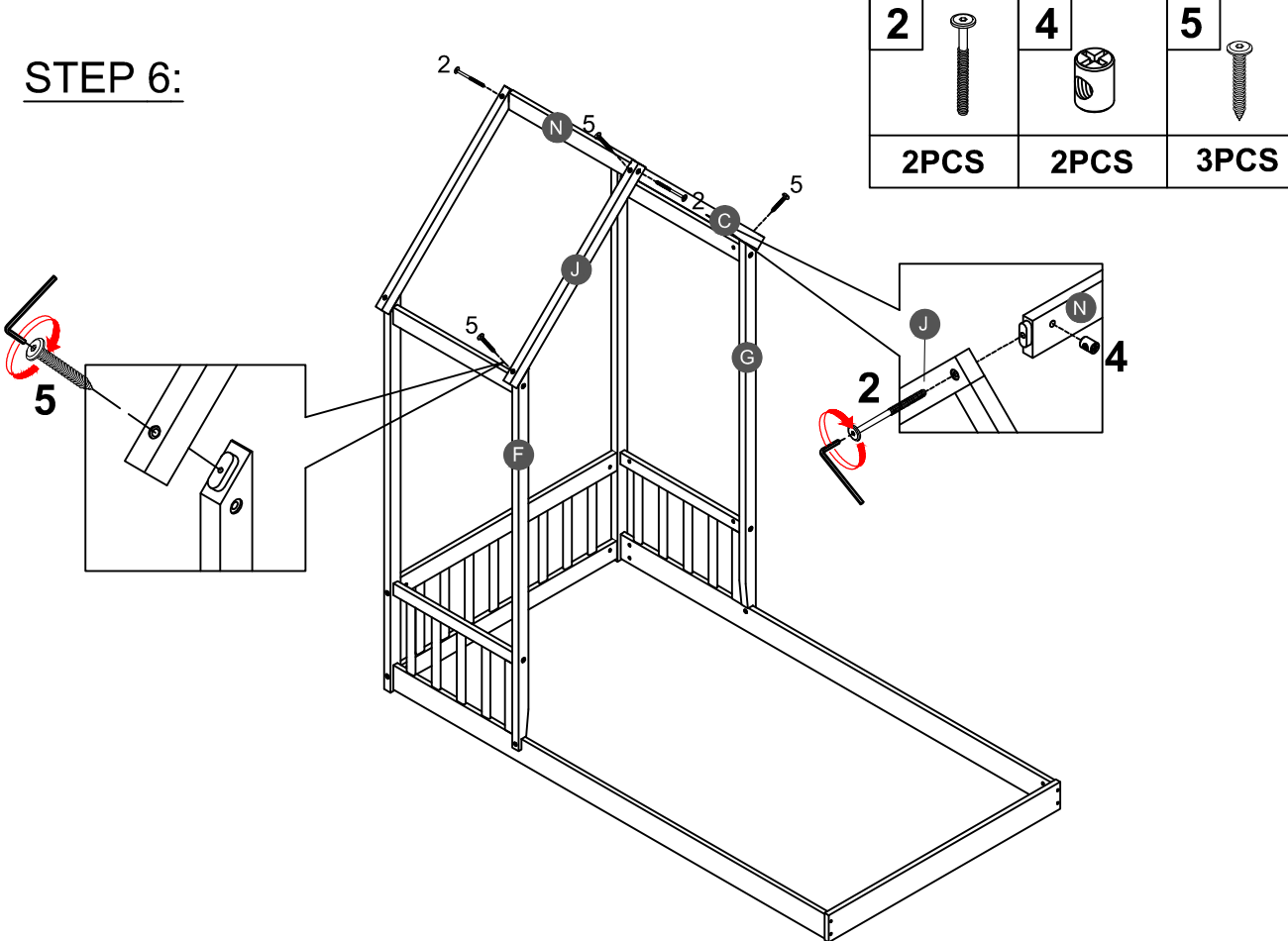





STEP 5:



2		3		4	
6PCS		2PCS		6PCS	

STEP 6:



2		4		5	
2PCS		2PCS		3PCS	