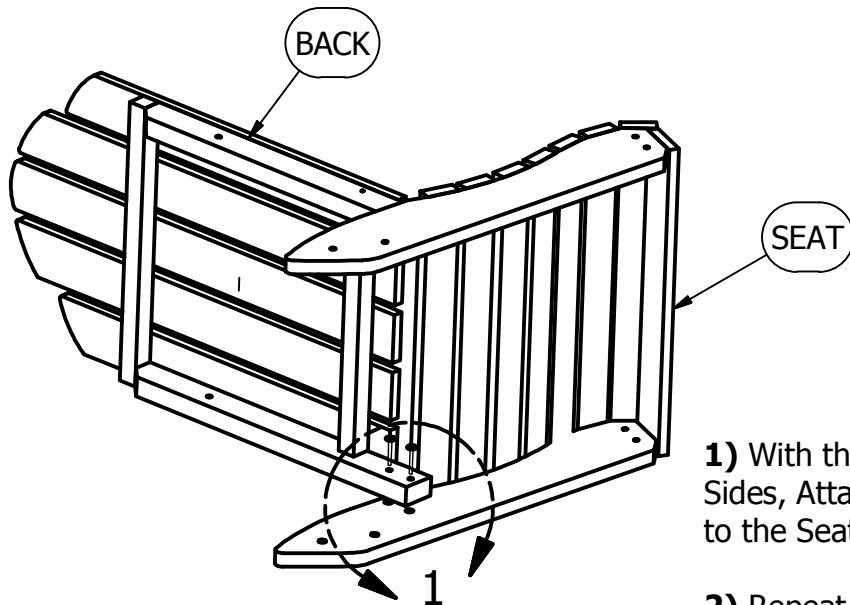
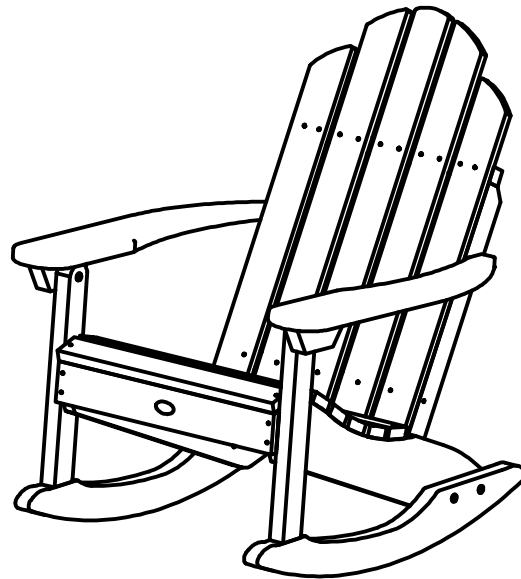
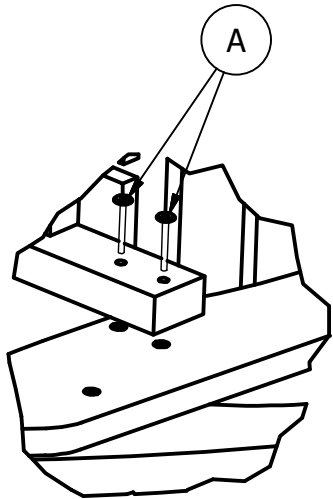


Classic Rocking Chair

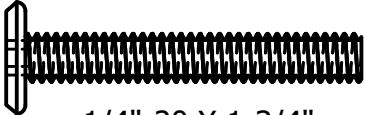
Assembly Guide

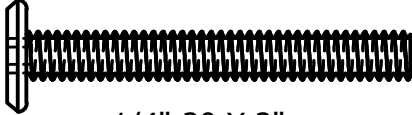


1) With the Back and Seat on Their Sides, Attach One Side of the Back to the Seat Using Two "A" Bolts.

2) Repeat on Other Side.

HARDWARE

A  x 10
1/4"-20 X 1-3/4"

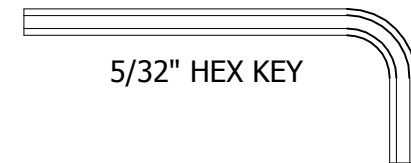
B  x 6
1/4"-20 X 2"

IMPORTANT!

DO NOT fully tighten the bolts until all bolts are started. Once all bolts are inserted, go back & tighten all the bolts.

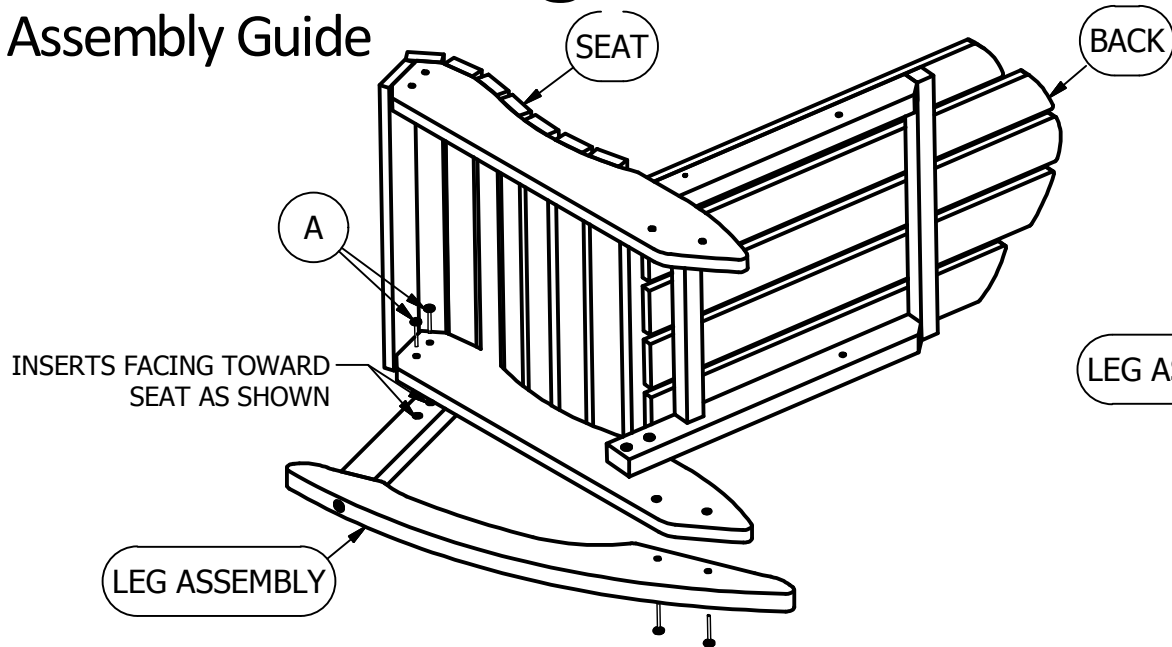
Retain these instructions for future reference

INCLUDED TOOLS



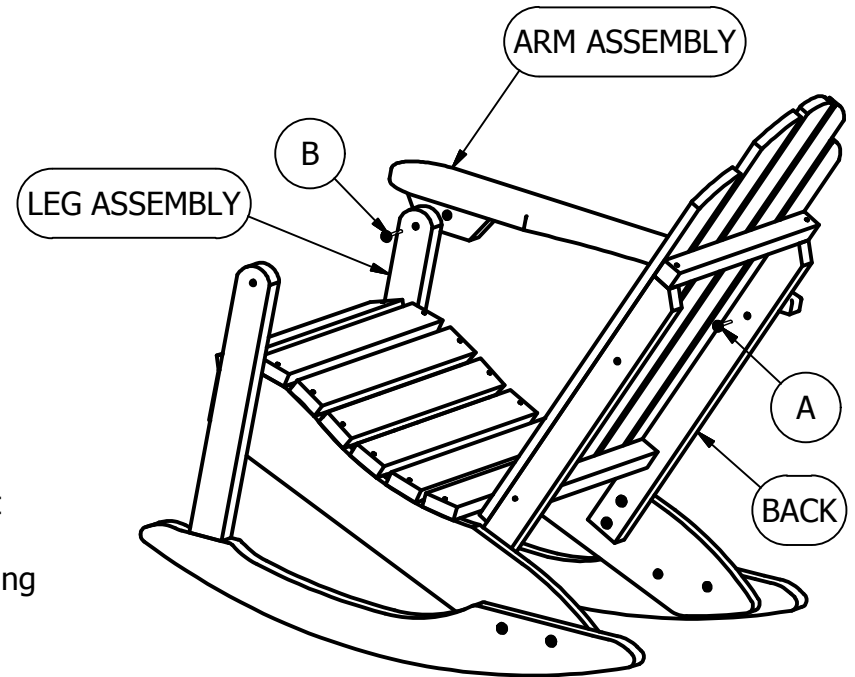
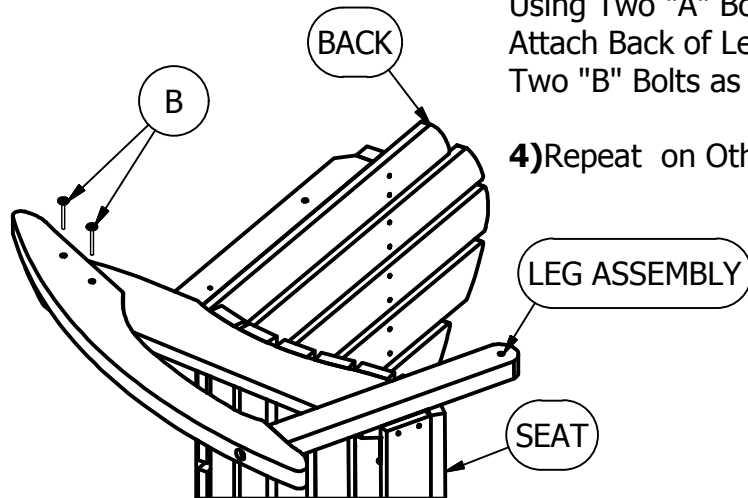
Classic Rocking Chair

Assembly Guide



3) Attach Front of Leg Assembly to Seat Using Two "A" Bolts as Shown Above. Attach Back of Leg Assembly to Seat Using Two "B" Bolts as Shown Below.

4) Repeat on Other Side.



5) Attach Arm Assembly to Leg Using One "B" Bolt. Attach Arm Assembly to Back Using One "A" Bolt.

6) Repeat on Other Side.