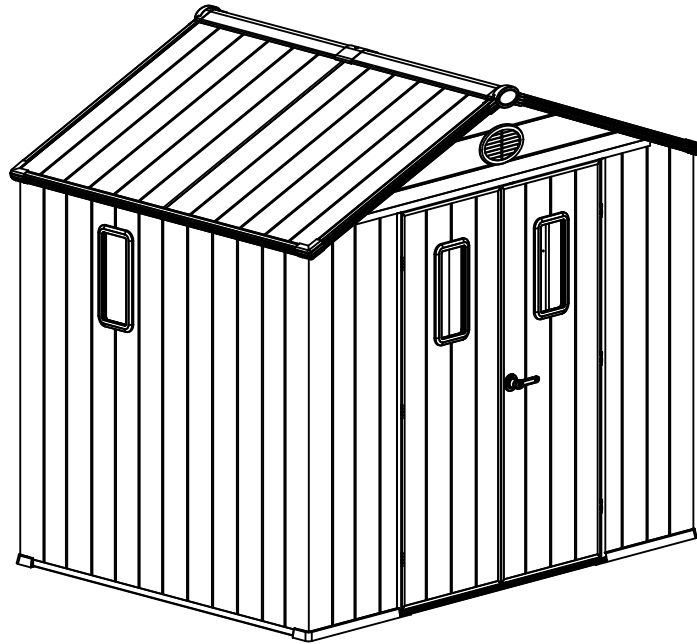


INSTRUCTION MANUAL



OUTDOOR 8'x6' STORAGE SHED

IF YOU PURCHASED THE OUTDOOR STORAGE SHED ONLINE
AND HAVE ANY QUESTIONS OR CONCERNS
CONTACT US VIA EMAIL, TEXT, OR PHONE

EMAIL: service2outdoor@gmail.com

TEXT(SMS ONLY): +1 628-263-4608

PHONE: +1 877-561-6450

Date of Manufacture: 25W32

Warnings and Cautions

Thank you for choosing our outdoor storage shed. Please read and understand this entire manual before attempting to assemble or install the product.

The shed is intended for storage purposes only. It is not designed for habitation.

GENERAL BEST PRACTICES FOR ASSEMBLY

1. Please check with your local governing authority/local municipal codes regarding installation and permitting of such structures before assembly.
2. The assembled outdoor storage shed should be located at least 6 feet from any obstruction such as fence, garage, house, overhanging branches, laundry lines or electrical wires.
3. It is strongly recommended to secure the shed to an immovable object or anchor to the ground by drilling holes in the shed floor (at the pre-marked locations) and inserting proper screws into the ground (screws are not included).
4. Familiarize yourself with the product and check all parts against the packing list. If any parts are missing or damaged, do not install. Contact us immediately.
5. Always wear work gloves, safety goggles and long sleeves when assembling or performing any maintenance on your shed.
6. Save all packing materials until assembly is complete to avoid accidentally discarding smaller parts or hardware.
7. Require two or more people to assemble and install safely and correctly.

WARNINGS



To reduce the risk of serious injury, read the following safety instructions thoroughly before assembling and using the outdoor storage shed.

8. The product is required to be installed on a level solid surface and is not intended for unsecured use. The outdoor storage shed is to be anchored to the surface with appropriate bolts or anchors. Do not assemble the shed on soil, earth, or bare ground.
9. Keep children and pets away from the working area during assembly and adjustments.
10. Please ensure that there is no snow or leaves on the roof. A large amount of snow on the roof can damage the cabin and make it unsafe. This product has passed the level 8 (46 miles per hour) of the wind resistance, and the roof load test with a capacity of 800 pounds.
11. On snowy days, it is necessary to regularly clear the accumulated snow. You can use plastic rakes to remove the excessive snow and ice blocks on the roof. Take corresponding safety precautions to prevent the fallen snow from causing damage.
12. Do not leave children unattended around or inside outdoor storage sheds.
13. The weight of the items hung on the hooks inside the roof should not exceed 30 pounds.
14. Avoid using a lawnmower or mechanical scythe near the shed.
15. Wash the shed with a garden hose or a mild detergent solution. Do not use a metal brush or abrasive cleaners, including degreasers and oil- or acetone-based cleaning materials, as these may stain or damage the shed.
16. Do not store hot items, such as recently used grills and blowtorches, and volatile chemicals in the shed.

17. Wind direction is an important factor to consider when determining the location of the shed. Reduce exposure to the wind, in general, and of the door side in particular. Keep doors closed and locked when the shed is not in use to prevent wind damage.

18. Do not stand on the roof.

WARRANTY

WHAT IS COVERED?

The limited warranty is extended to the original purchaser and applies to material and manufacturer's defect provided the item is maintained with care and used only for personal residential purposes.

Warranty: 6 months

Lost Accessories or Parts Policy:

Lost accessories or parts costs will be incurred after 90 days of the date of purchase.

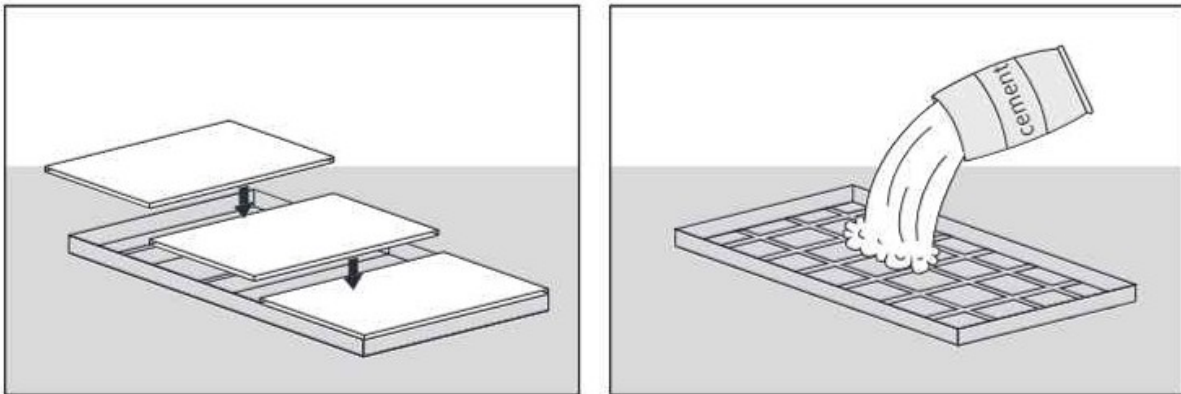
TIP: Our products have been designed for safety and quality. Any modifications made to the original product could damage the structural integrity of the product leading to failure and possible injury. We can not assume any responsibility for modified products. Furthermore modifications void any and all warranties.

Site preparation

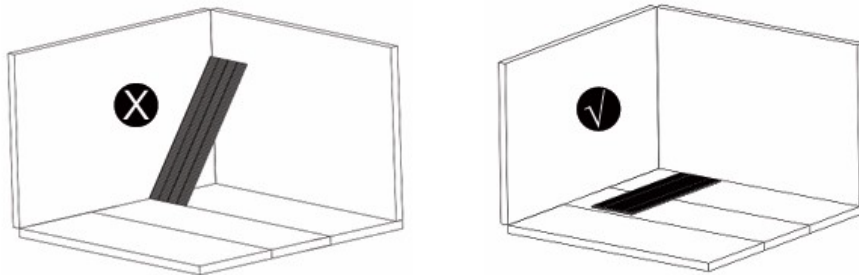
1. Leveling the ground.



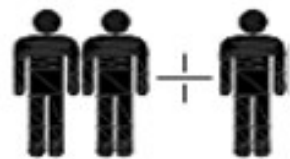
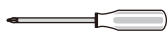
2. Recommendation: Construct a wooden or concrete base as a foundation.



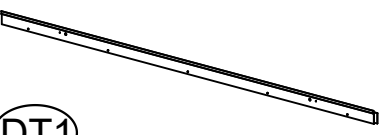



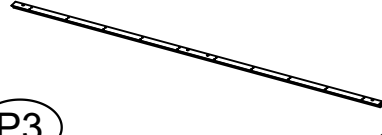
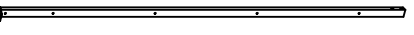
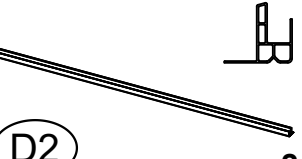

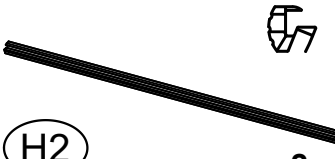

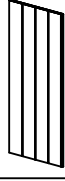
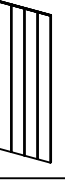


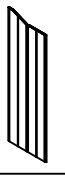
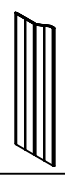


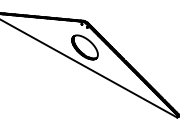
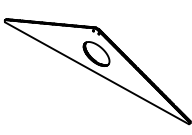





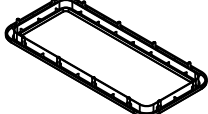

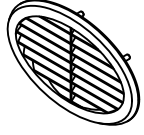
3. Parts are placed after unpacking.




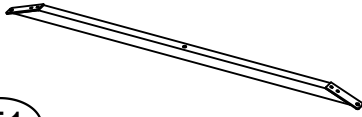

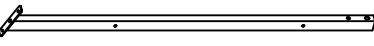
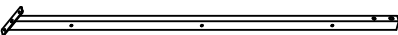











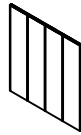
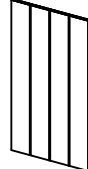

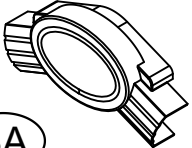
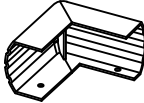
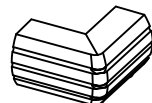
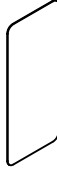

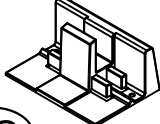
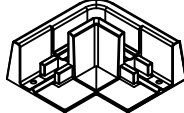


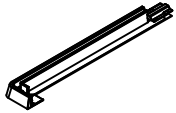

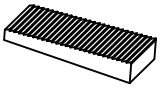
Tools Needed (Not Included)



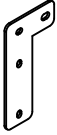
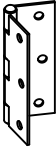
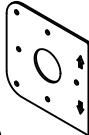
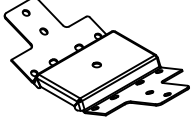
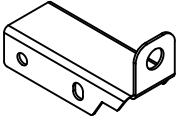






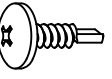

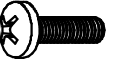




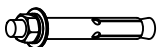
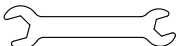



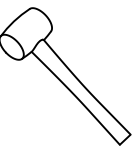

Parts List (Box 1)

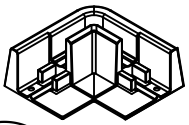
 (DT1) 1x	 (DR) 1x	 (DL) 1x	
 (DM) 1x	 (P3) 2x	 (U4) 2x	
 (D2) 2x	 (F2) 2x	 (H2) 2x	 (N1) 1x
1850x617  (B1) 2x	1850x617  (B2) 1x	1857x282  (B3L) 1x	1857x282  (B3R) 1x
1865x604  (B4L) 2x	1865x604  (B4R) 2x	1825x620  (B5L) 1x	1825x620  (B5R) 1x
 (B6A) 1x	 (B6B) 1x	1775x617  (B7) 1x	1775x617  (B7B) 1x
1775x617  (B8) 1x	1775x617  (B8B) 1x	 (SEI) 4x	 (SEO) 4x
 (SFI) 2x	 (SFO) 2x		

Parts List (Box 2)

 (R1) 2x	 (T1) 1x	 (U3A) 4x	
 (U3B) 2x	 (U3C) 2x	 (D1) 2x	
 (E1) 1x	 (FIL) 1x	 (FIR) 1x	 (F3L) 1x
 (F3R) 1x	 (G1) 2x	 (J1) 4x	 (K1) 4x
 (Q4) 2x			
1247x603  (A2A) 4x	500x603  (A2B) 4x	1247x617  (C1) 4x	1247x316  (C4) 4x
 (SA) 2x	 (SCA) 2x	 (SCB) 2x	 (SE) 4x
 (SD) 1x	 (SG) 1x	 (SH) 2x	 (SK) 1x
 (SIL) 1x	 (SIR) 1x	 (SJ) 2x	 (SP) 2x

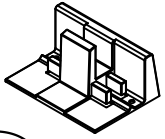
Parts List (Box 2)

 (X1)	 (X2)	 (X3)	 (X4)
2x	6x	1x	1x
 (X5)	 (X6)	rubber sealing strip  (X7)	
6x	1x	1x	
 1 ST3.8x12 55x	 2 ST3.8x14 186x	 3 ST3.8x12 39x	 4 ST4.8x32 64x
 5 ST4.2x16 25x	 6 ST2.8x12 54x	 7 M6x15 20x	 8 M6x40 20x
 9 M6 20x	 10 M8x45 1x	 11 M6 20x	 12 M8x80 6x
TOOL:	 (Y1)	 (Y2) 5MM 1x	 (Y3)
 (Y8)	 (Y6)	 (Y7)	
2x	1x	1x	
<p>NOTE: The plastic pieces are guide pieces to assist in inserting wall panels.</p>			



SH

2x



SG

1x



D1

2x



D2

2x

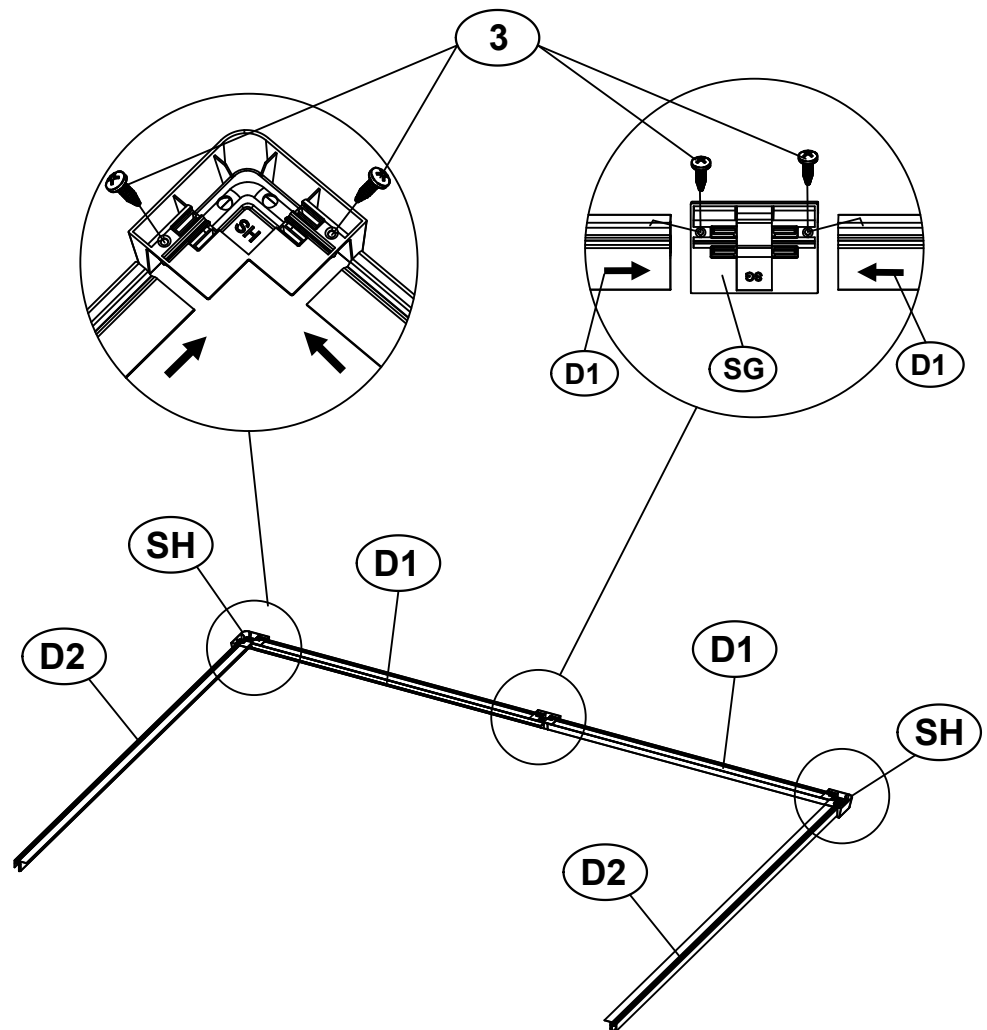


3

ST3.8x12

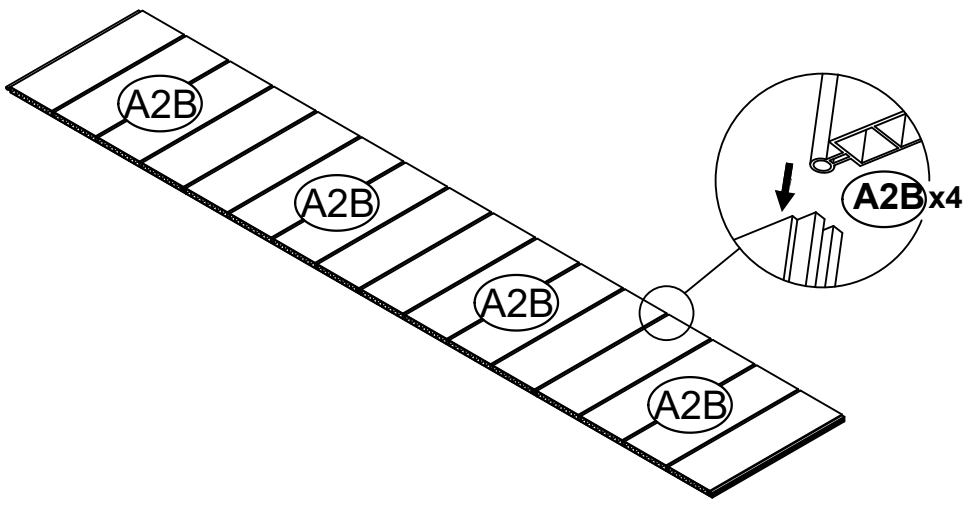
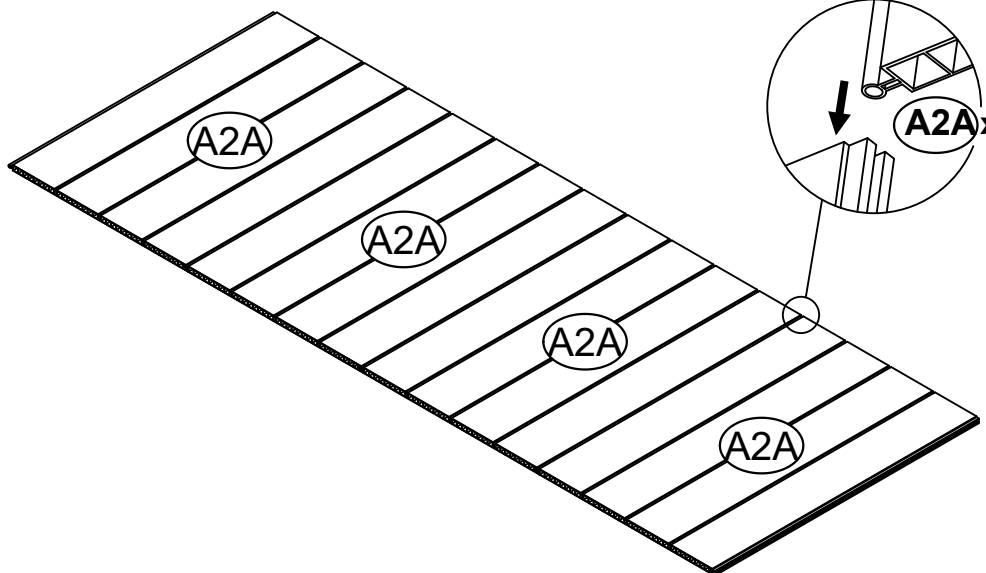
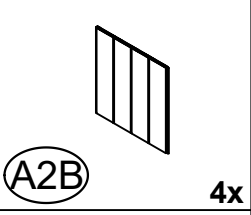
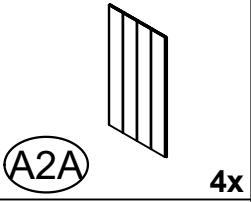
6x

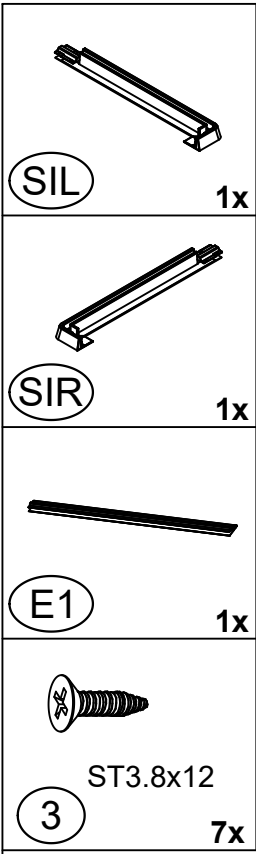
<1>



After the components are assembled, they need to be turned over and fixed with screws.

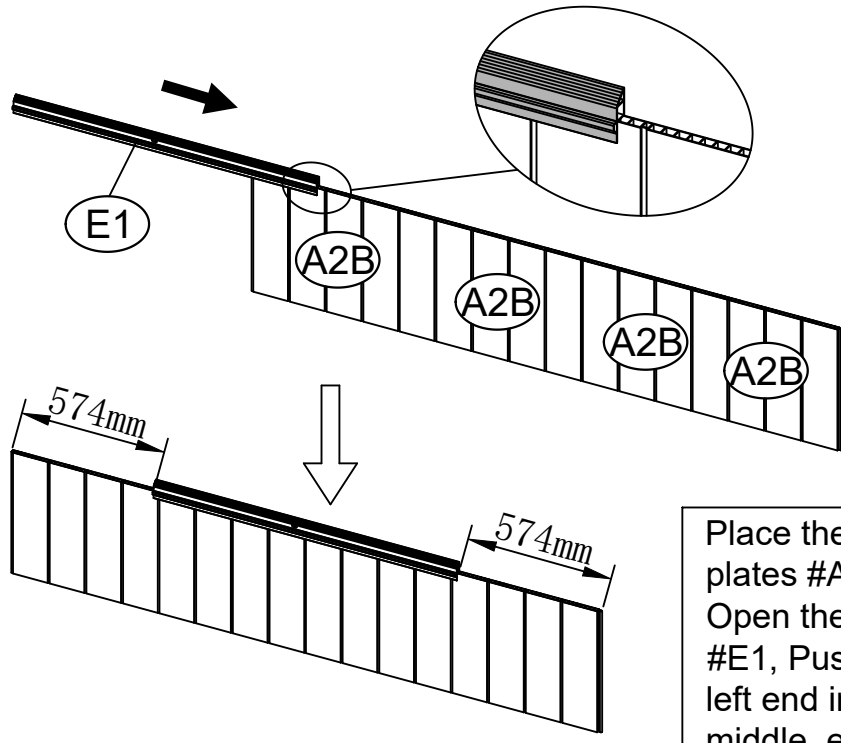
<2>





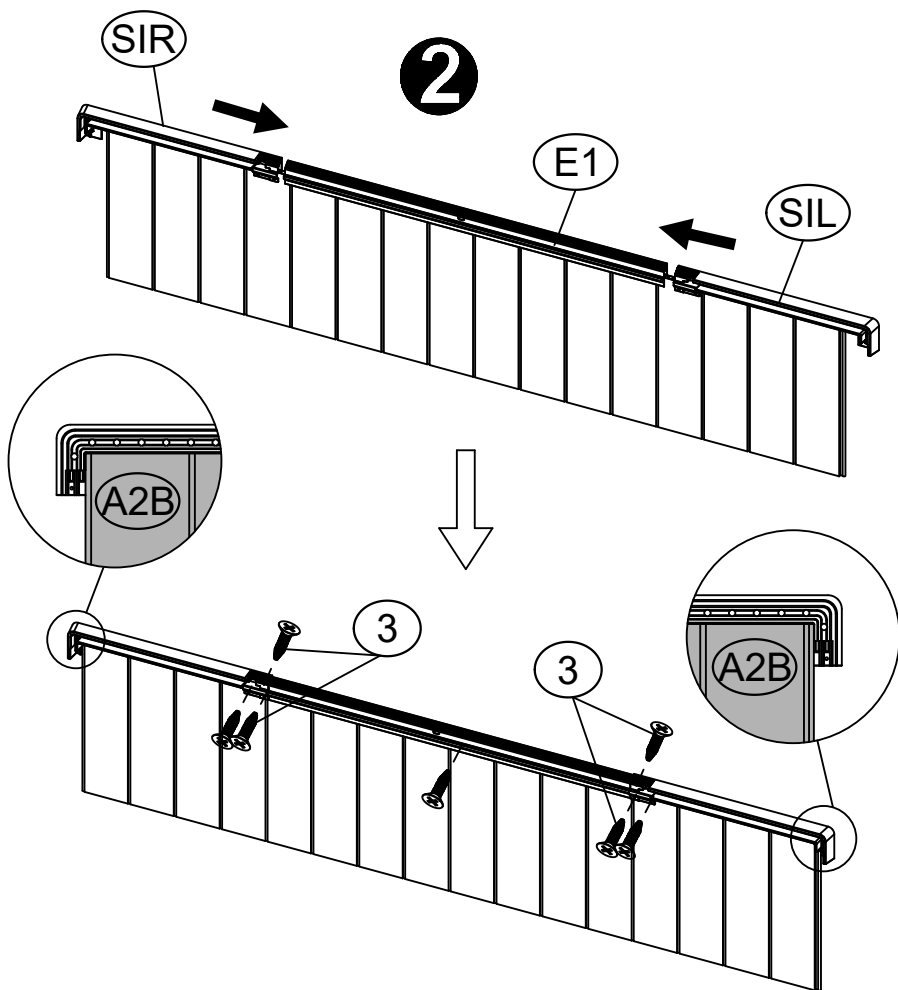
<3>

1



Place the four base plates #A2B upright. Open the slot port of #E1, Push it from the left end into the middle, ensuring that the distance on both sides is equal.

2



Insert the #E1 card into the left threshold #SIL and the right threshold #SIR of the front door. Gently tap the left and right thresholds as shown in the enlarged picture to ensure that the bottom plate #A2B is flush with both sides of the left and right thresholds, fix the above components with 7pcs #3 screws.

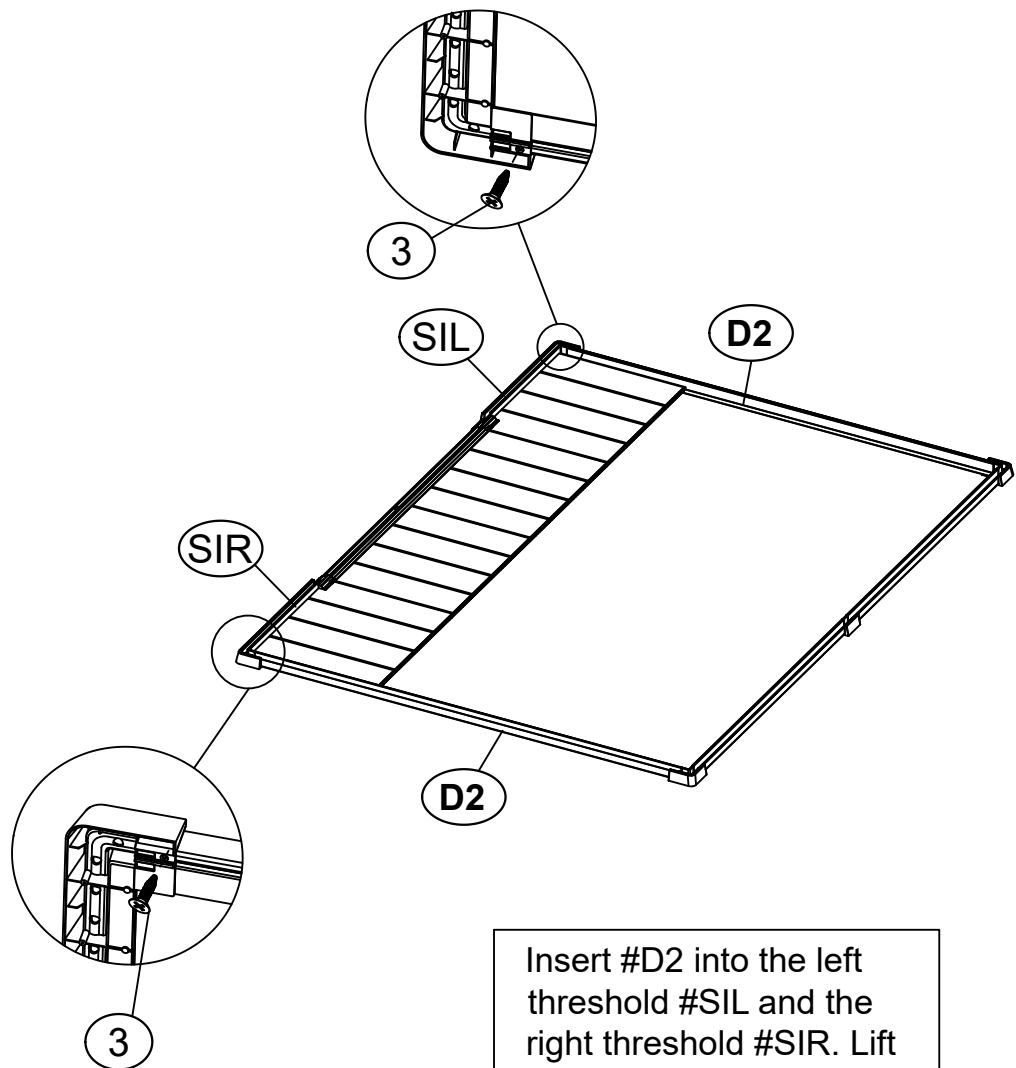


ST3.8x12

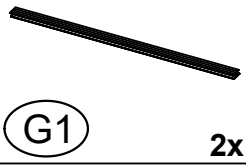
3

2x

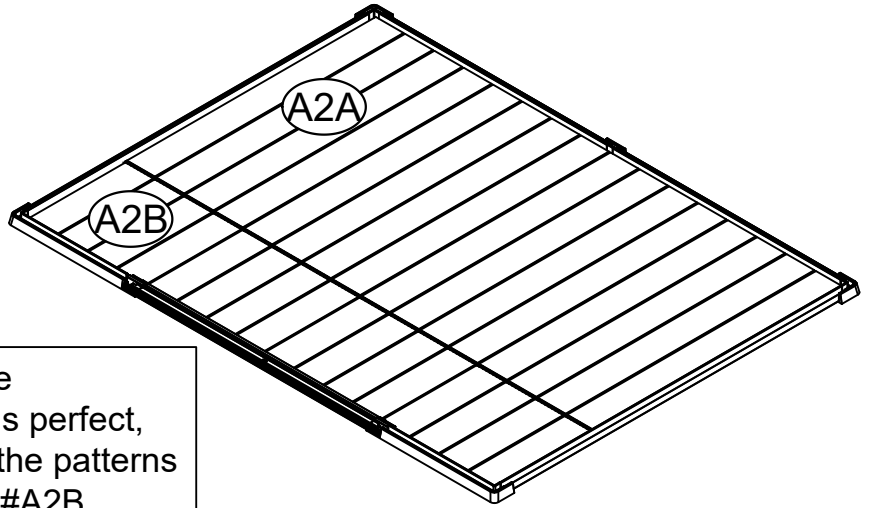
<4>



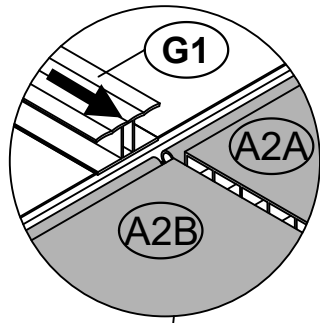
Insert #D2 into the left threshold #SIL and the right threshold #SIR. Lift the component circled in the enlarged picture and fix #D2 and the left and right thresholds with 2pcs #3 screws. This step requires the assistance of 2 to 3 people.



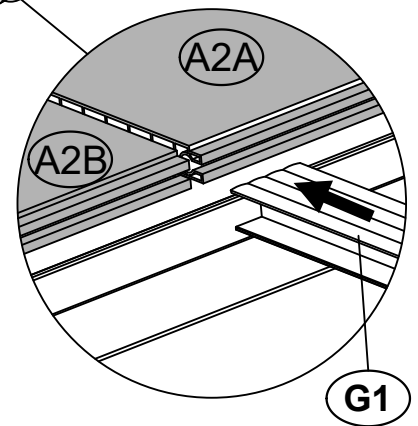
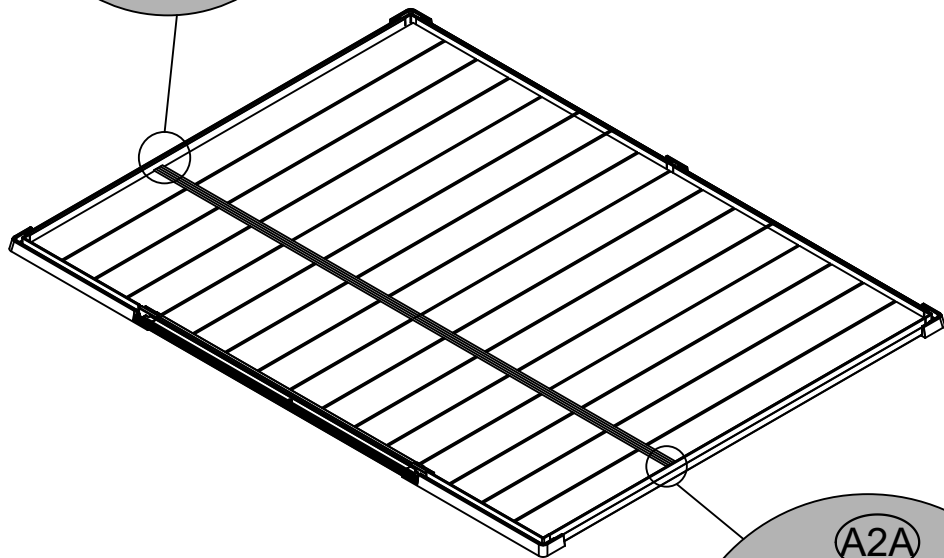
<5>



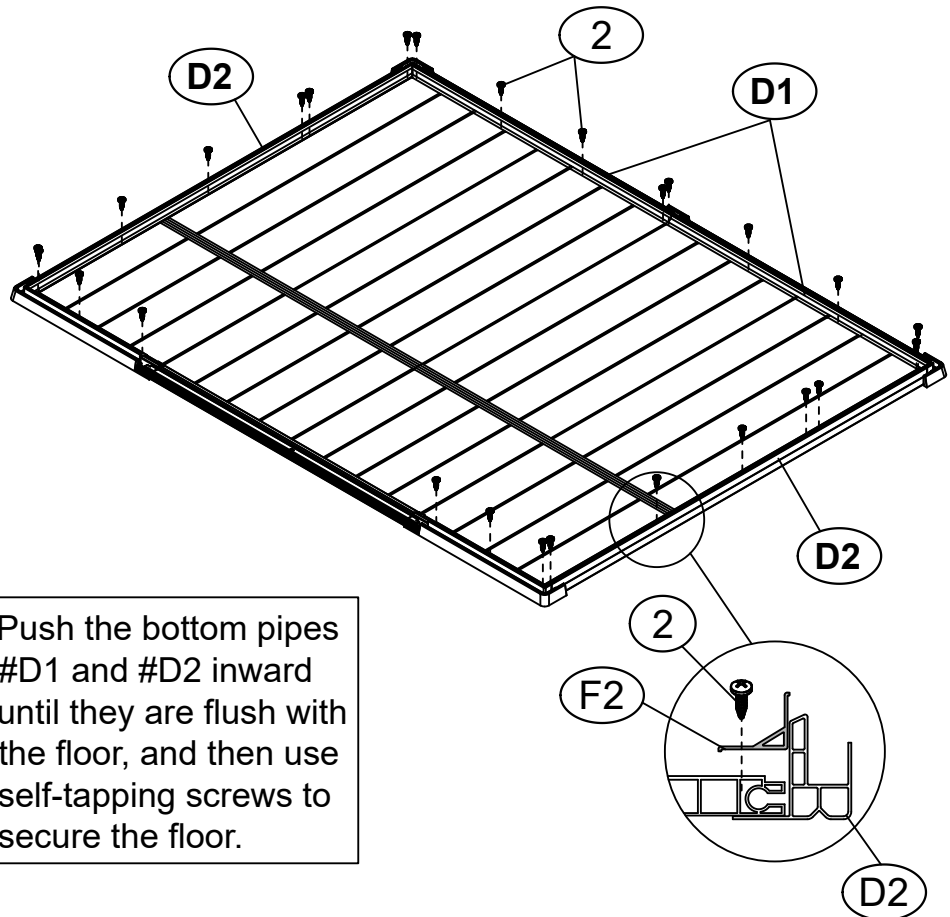
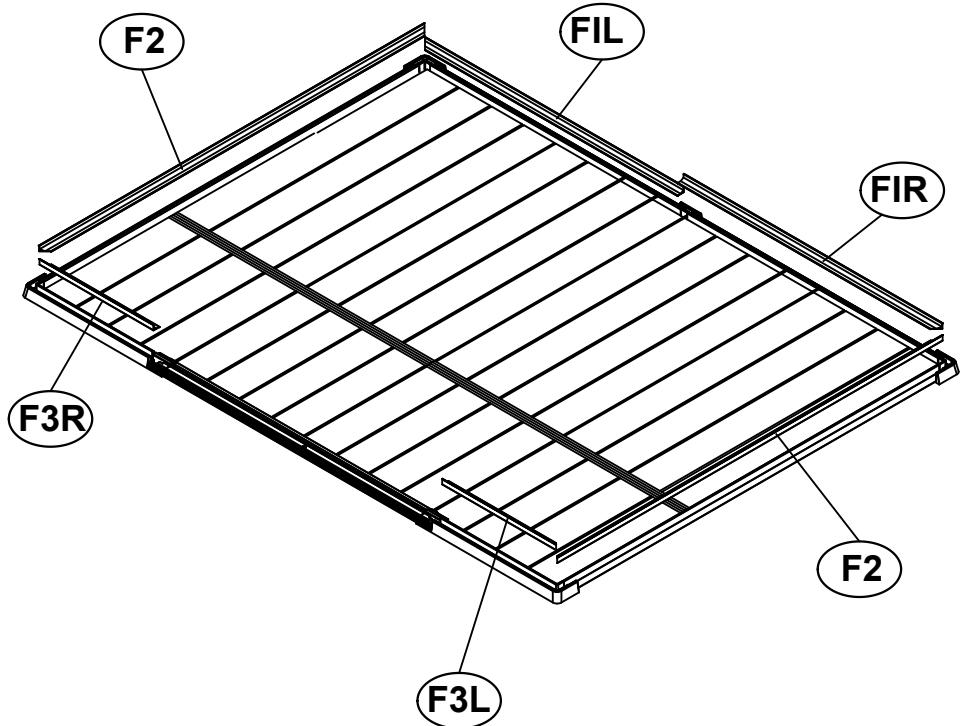
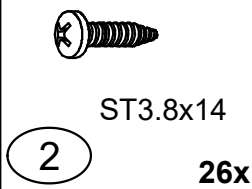
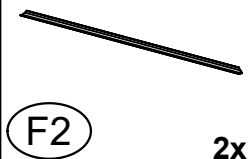
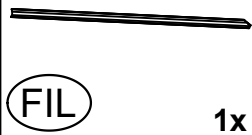
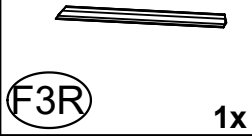
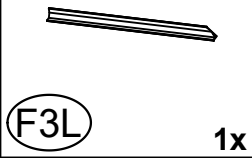
To ensure the appearance is perfect, please align the patterns of #A2A and #A2B.



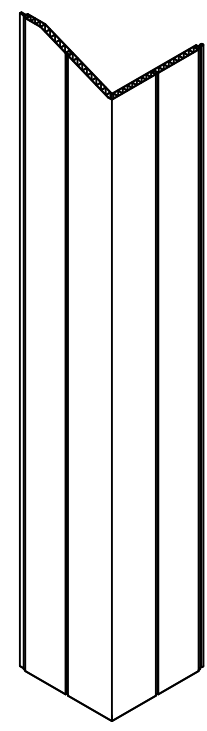
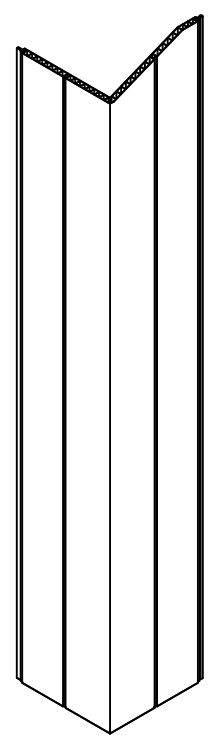
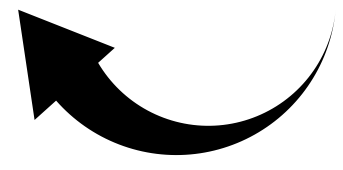
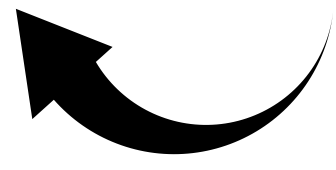
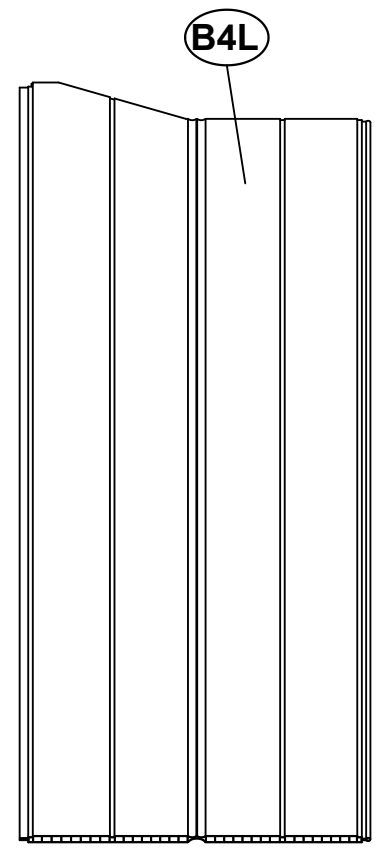
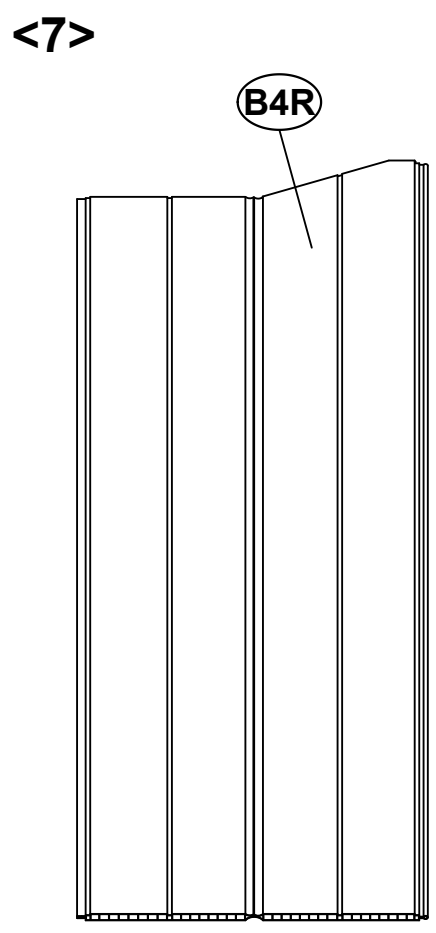
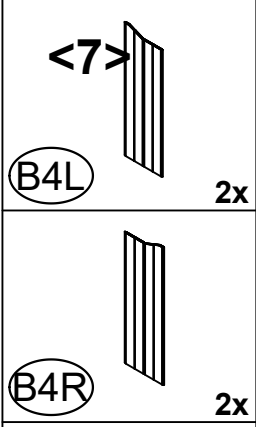
During installation, the base plate #A2A & #A2B needs to be lifted



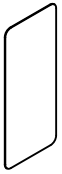

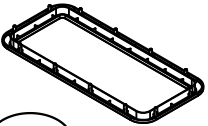





<6>



Push the bottom pipes #D1 and #D2 inward until they are flush with the floor, and then use self-tapping screws to secure the floor.

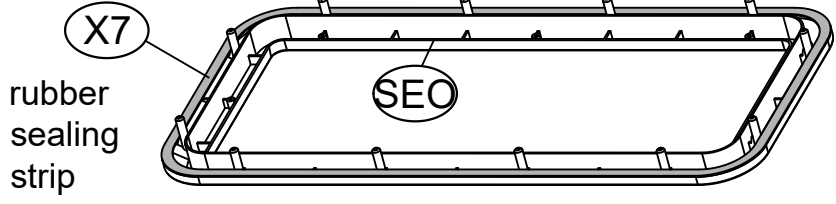


NOTE: Bend inward, the smooth surface is on the inside. Please use the plastic guide pieces to help insert the wall panels to the bottom

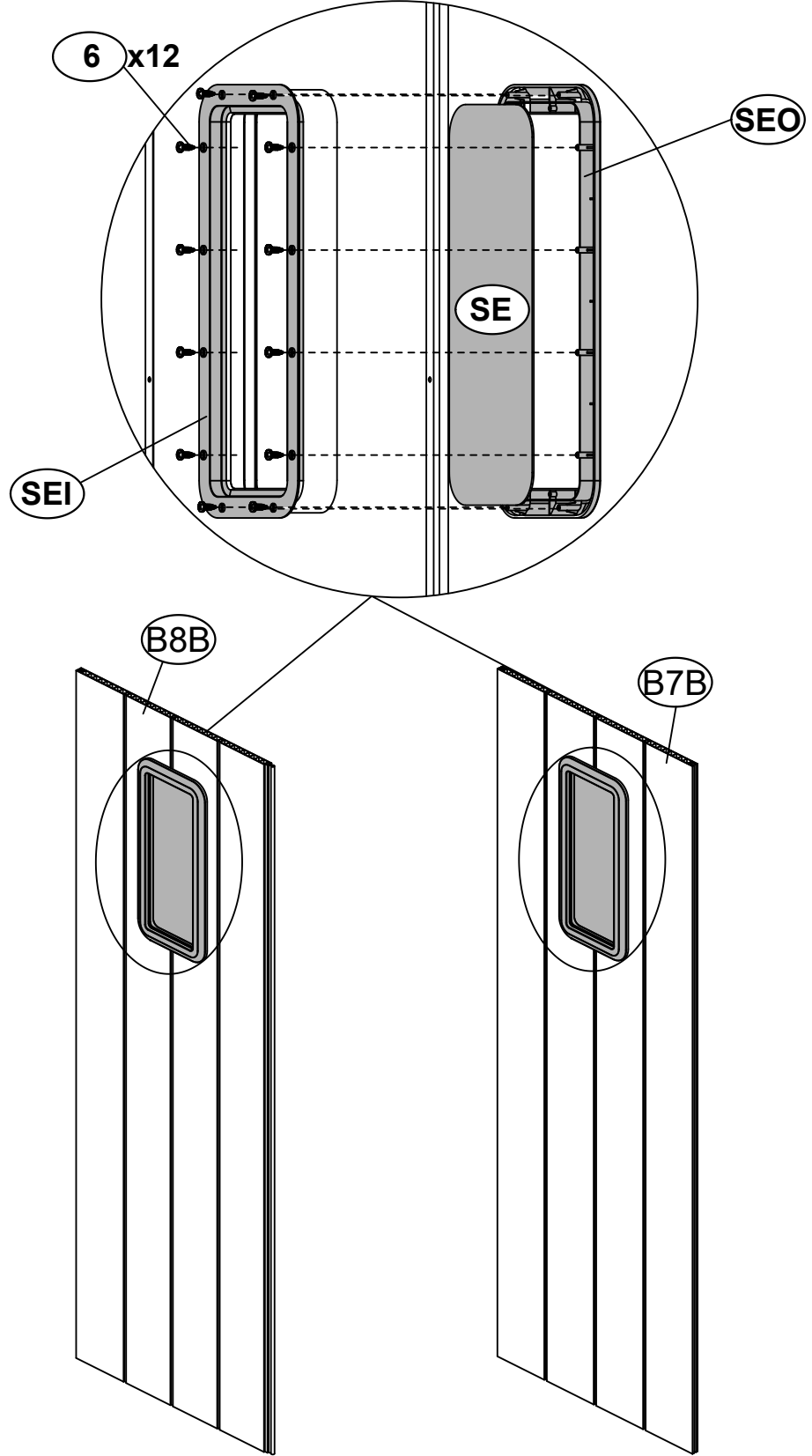
-  (SE) 2x
-  (SEI) 2x
-  (SEO) 2x
-  (B7B) 1x
-  (B8B) 1x
-  (X7) 1x
-  ST2.8x12
-  (6) 24x

<8>

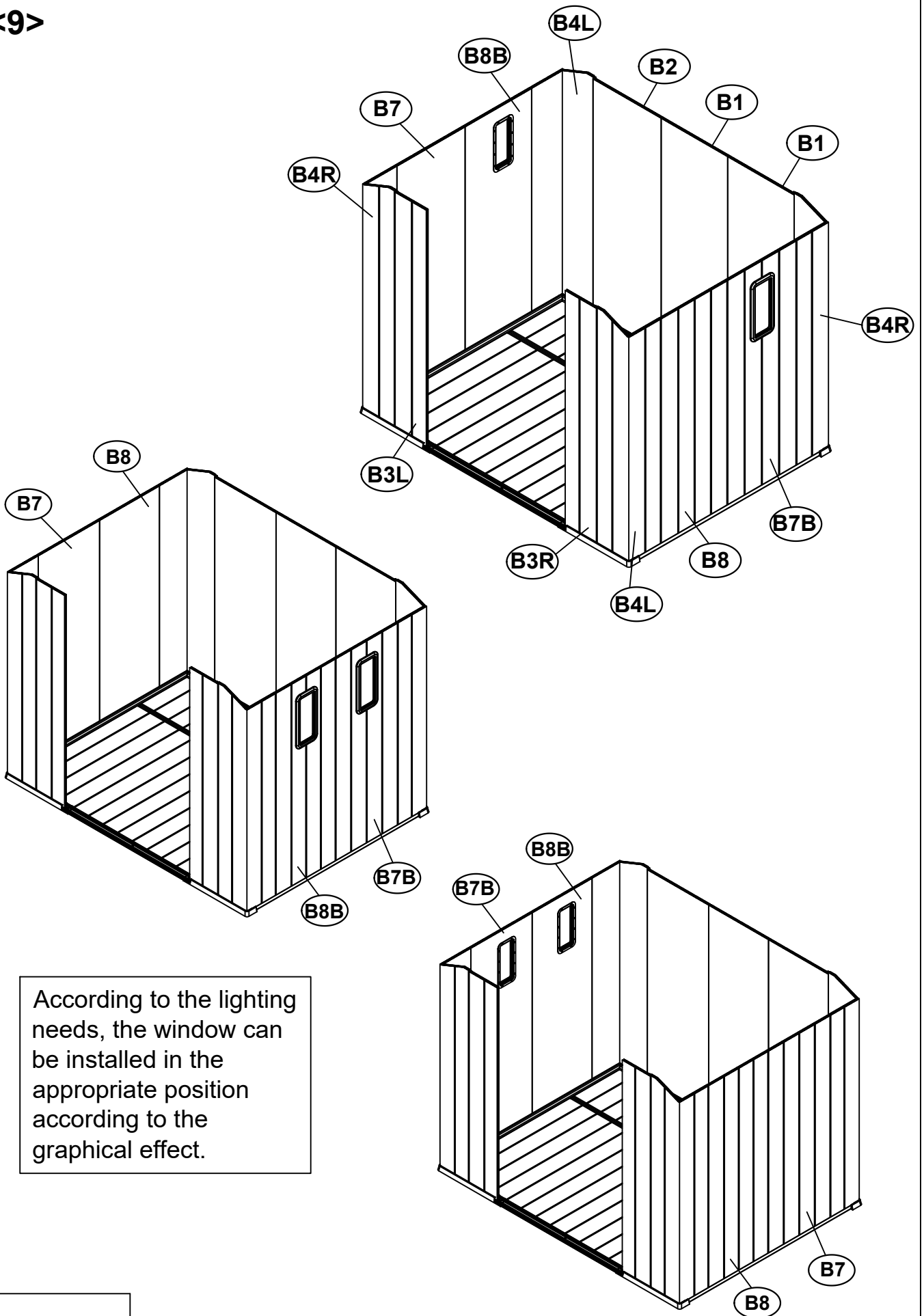
1



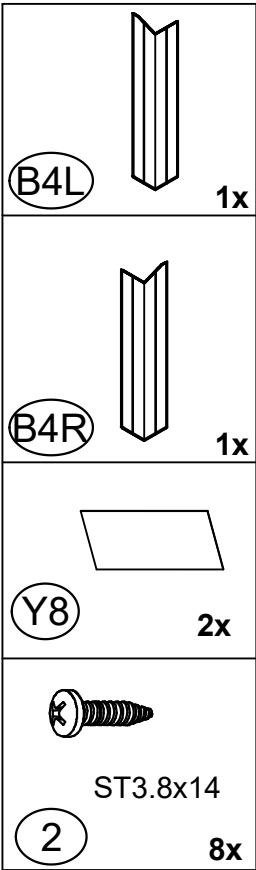
2



<9>

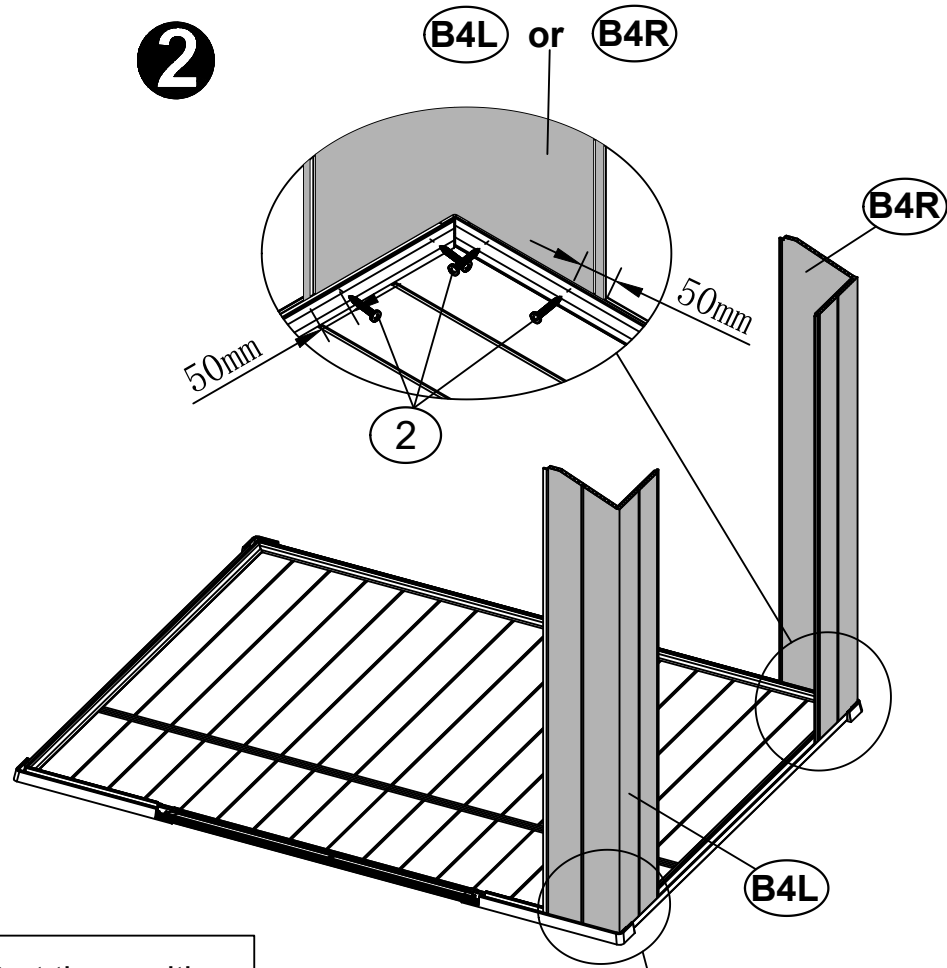


According to the lighting needs, the window can be installed in the appropriate position according to the graphical effect.

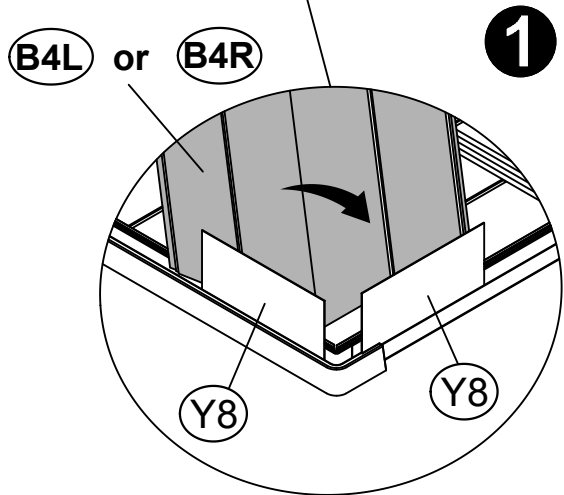


<10>

2

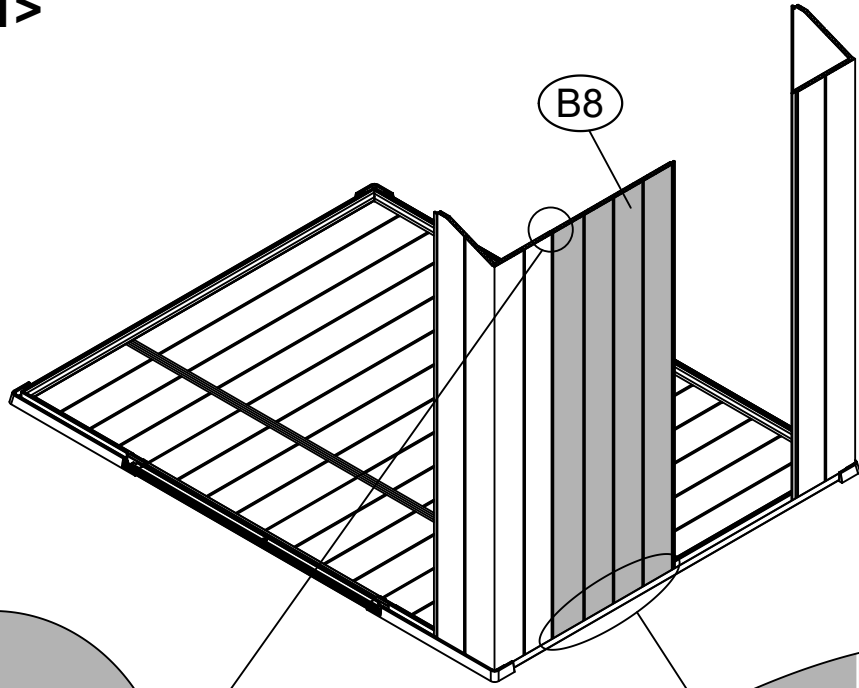
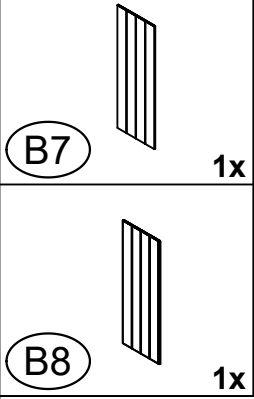


1

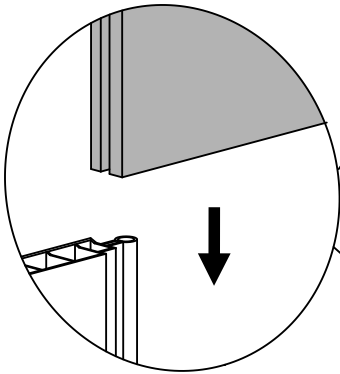


Place 2pcs #Y8 at the position shown in Figure 1. First, tilt the left turning corner #B4L or the right turning corner #B4R and insert them into one side, then insert them into the other side. After that, remove the #Y8. After gently tapping the turning corners until they are in place, follow Figure 2 to fix the left and right turning corners with the bottom frame using 8ps #2 screws.

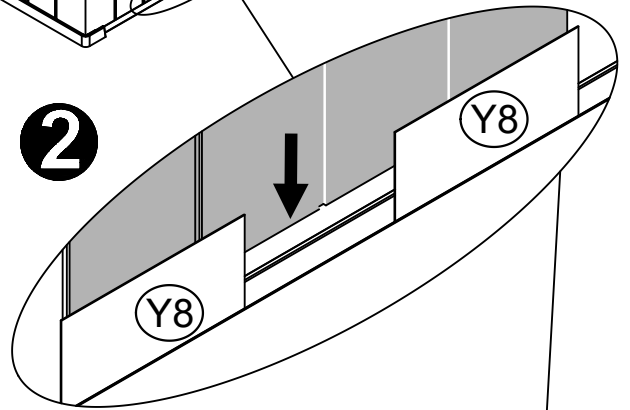
<11>



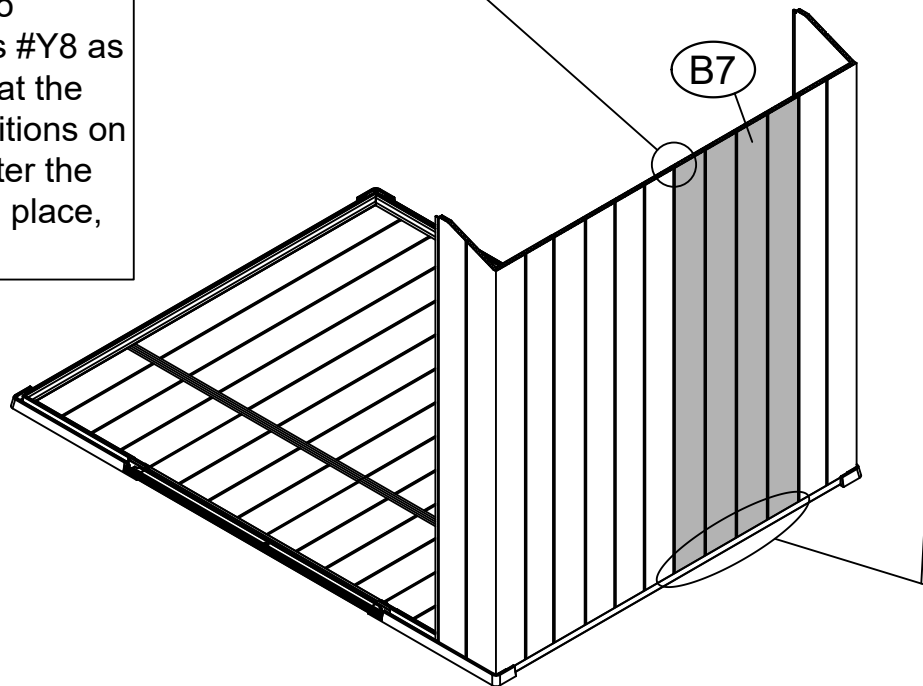
1






2

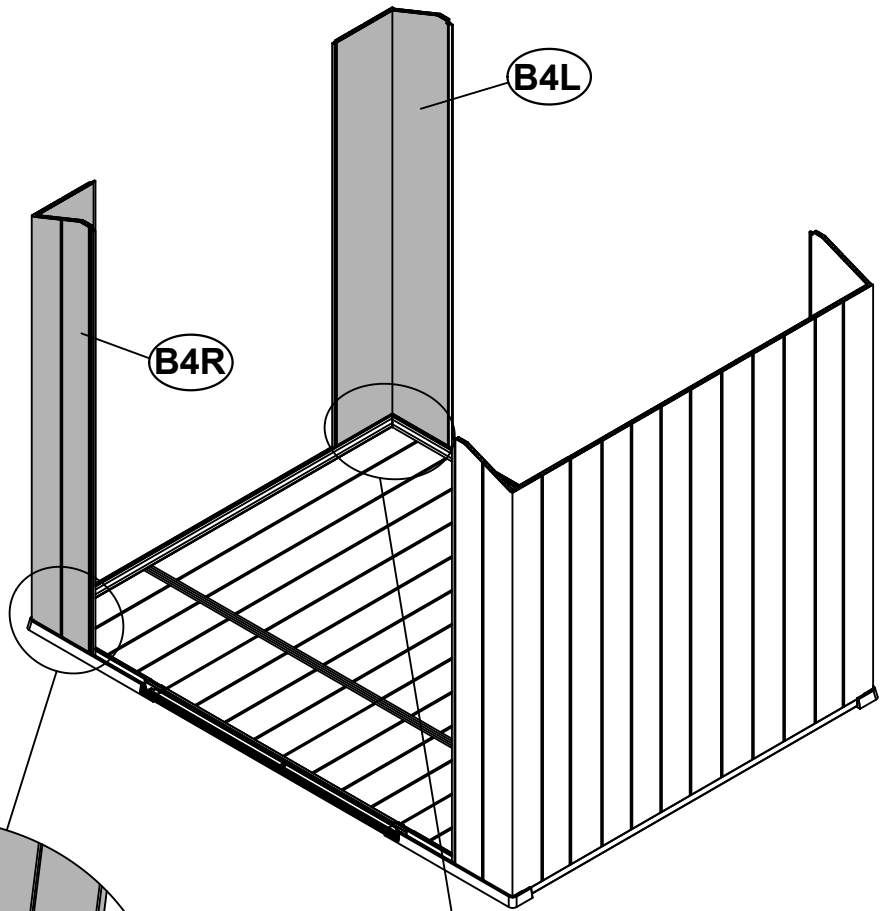


Insert panel #B7 or #B8 along the slot as shown in Figure 1 from top to bottom. Place 2pcs #Y8 as shown in Figure 2 at the corresponding positions on the base frame. After the panel is inserted in place, pull out #Y8.

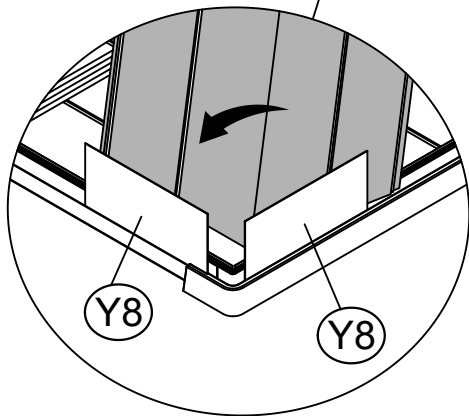


<12>

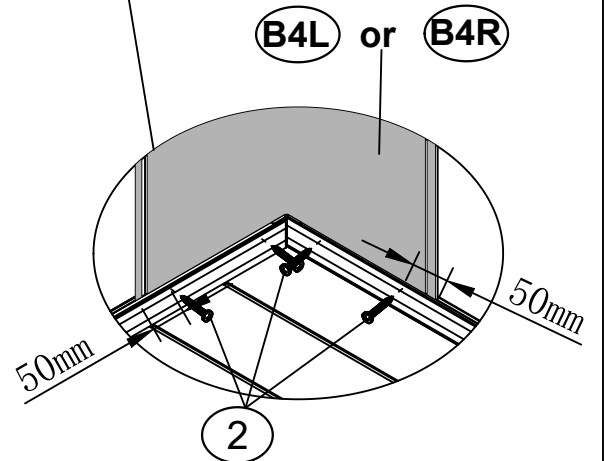
- (B4L)  1x
- (B4R)  1x
-  ST3.8x14
- (2) 8x



1

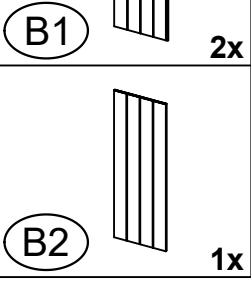


2

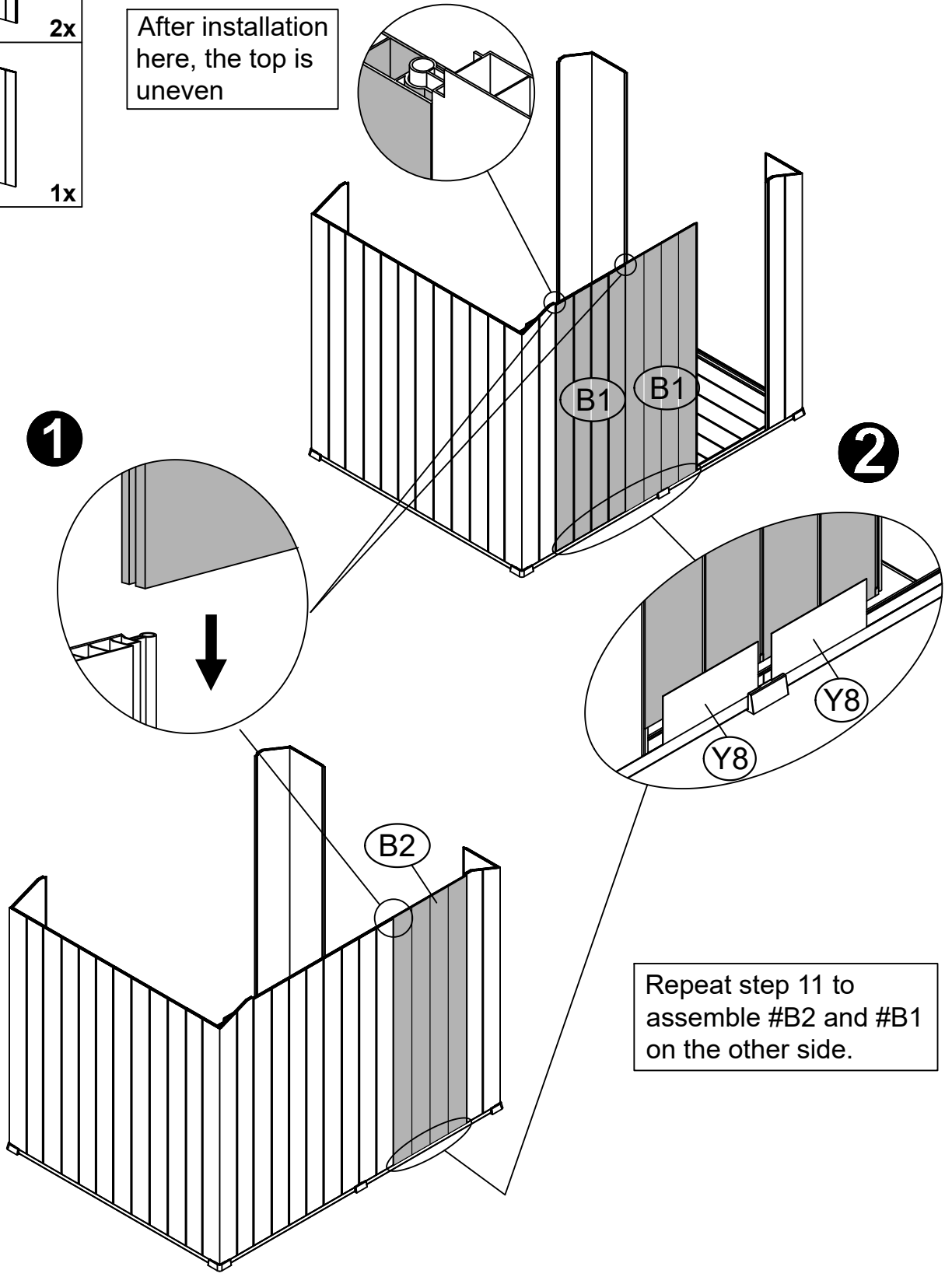


Repeat step 10 to assemble the left corner #B4L and the right corner #B4R on the other side.

<13>



After installation here, the top is uneven



<14>

(B7B)



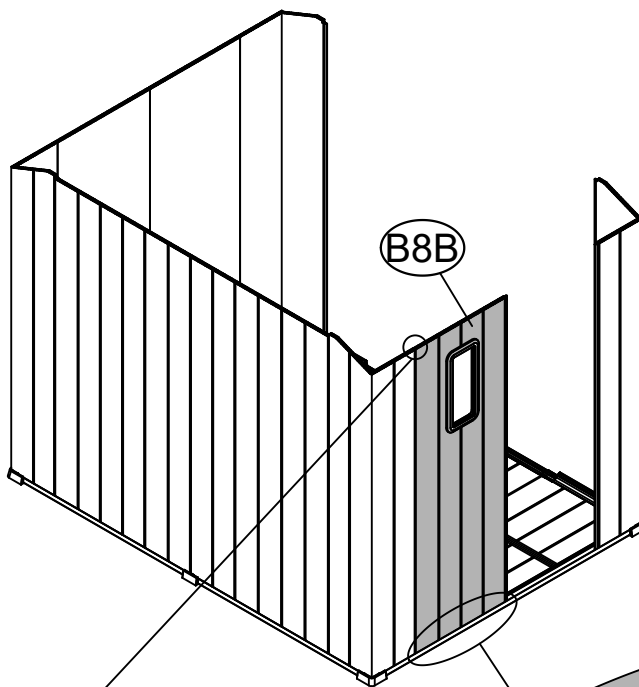
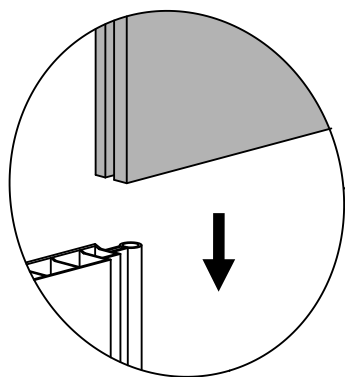
1x

(B8B)

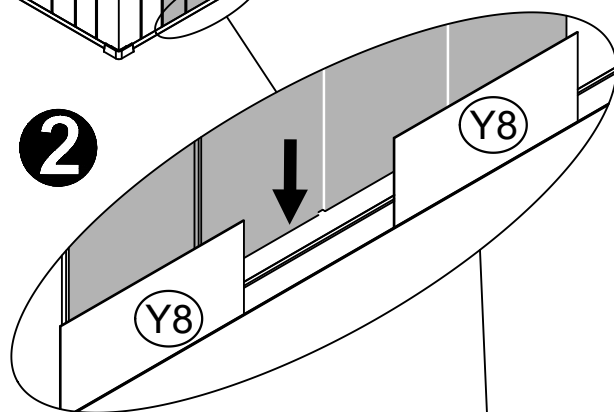


1x

1

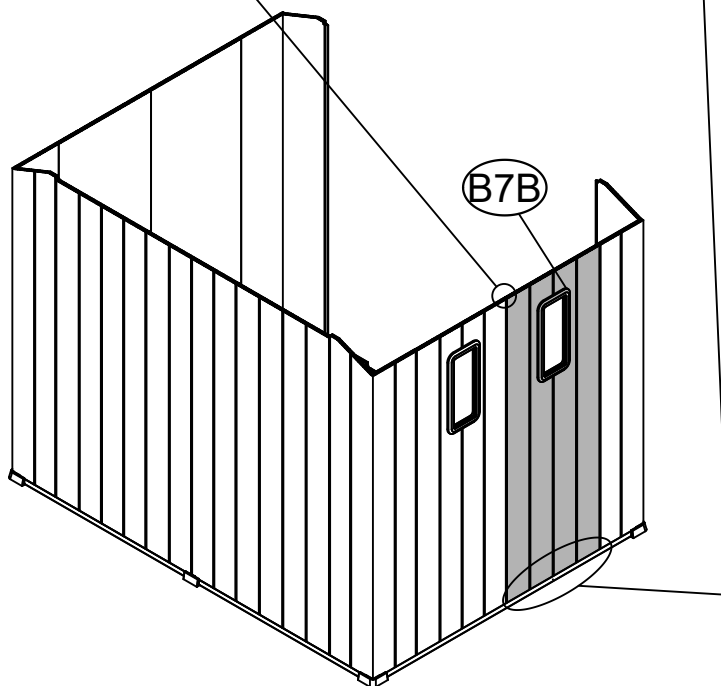


2



Repeat step 11 to assemble #B7B and #B8B on the other side.

(B7B)



<15>

(B3L)



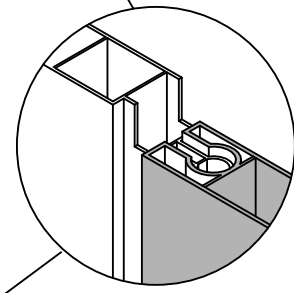
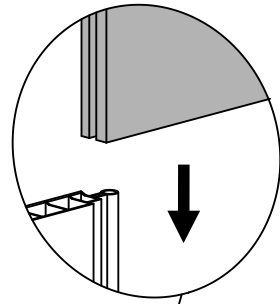
1x

(B3R)



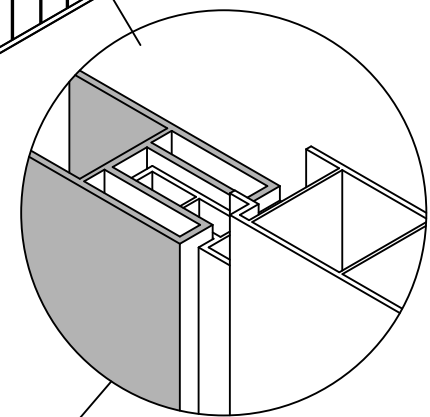
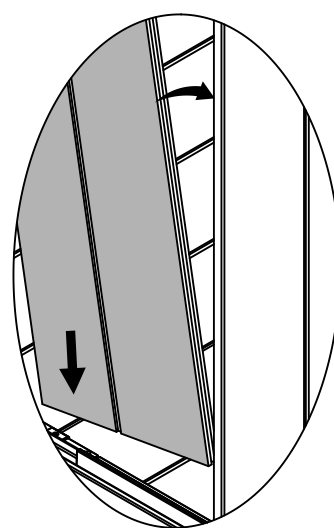
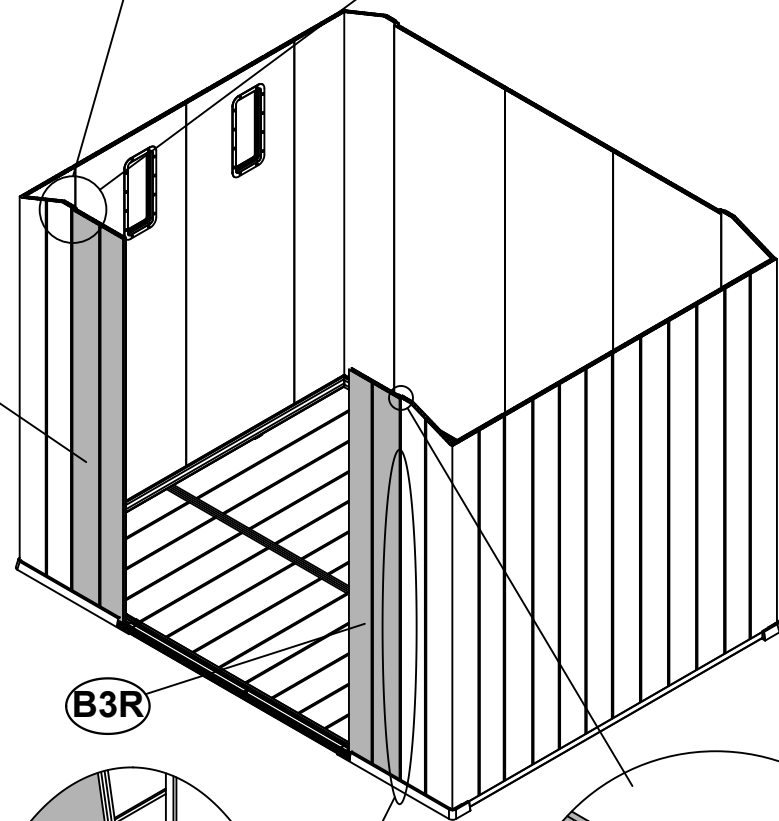
1x

After installation here, the top is uneven



(B3L)

(B3R)



After installation here, the top is uneven



ST3.8x12

1

48x

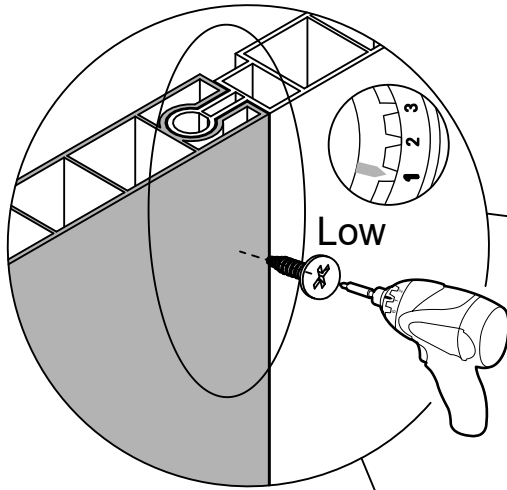


ST3.8x14

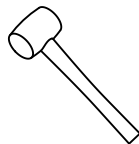
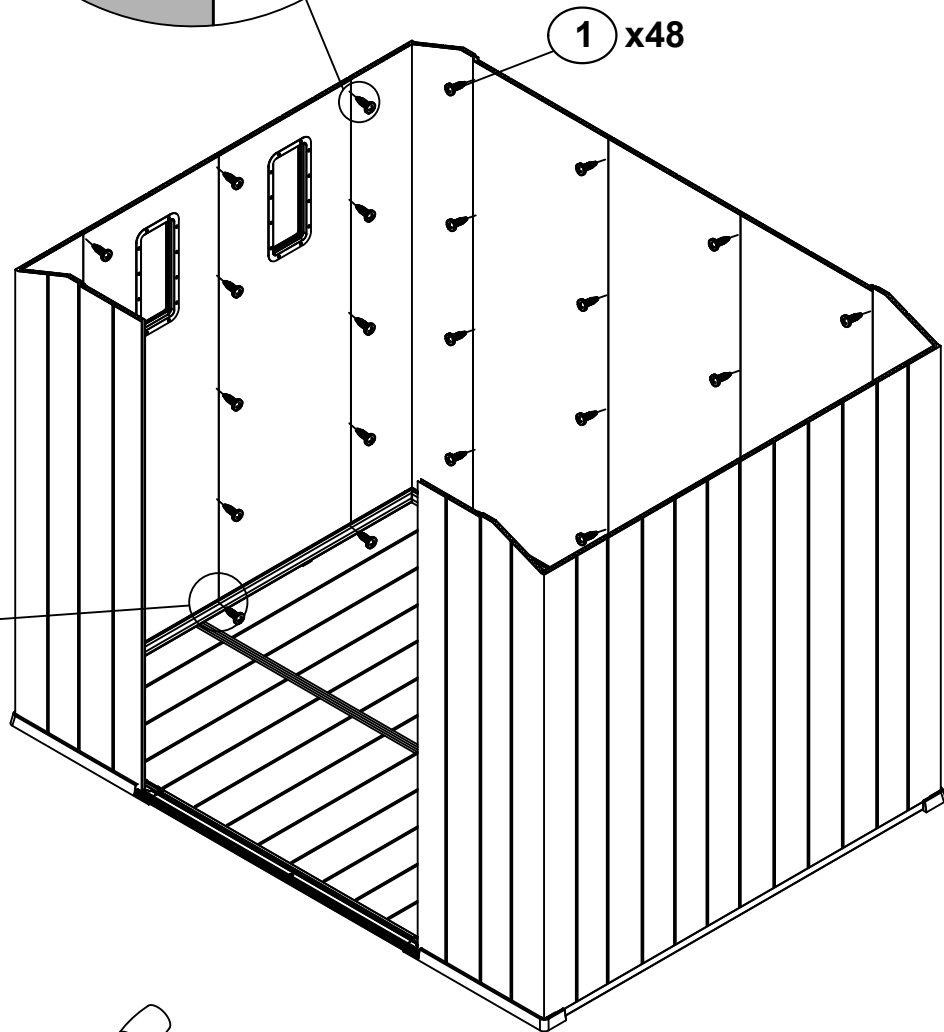
2

12x

<16>

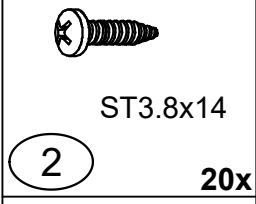
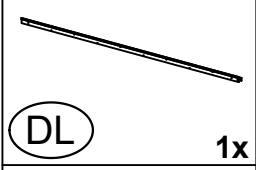
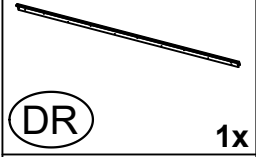


The screw is screwed in at the junction of the board



Tool:

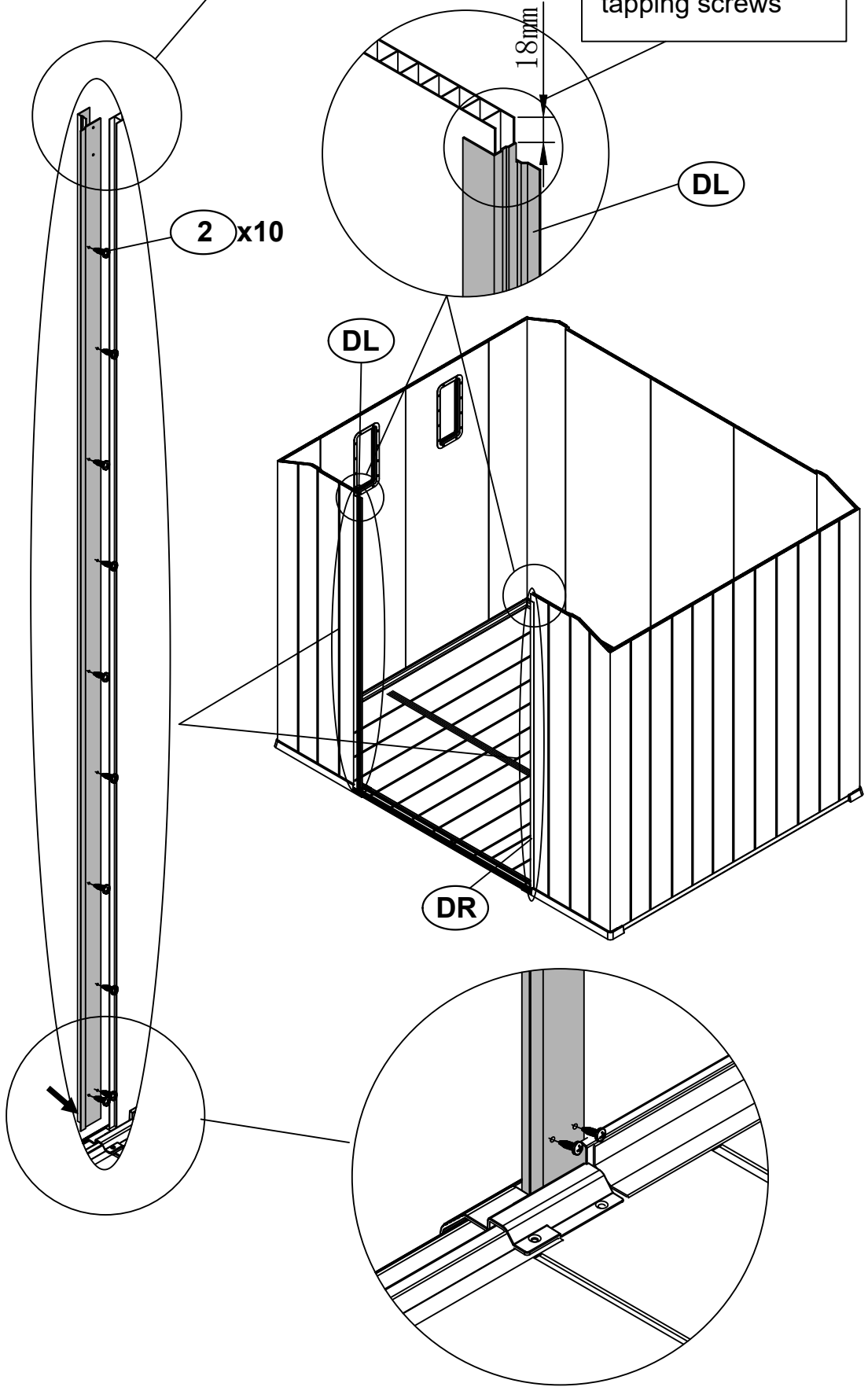
Gently tap the top of each panel with a hammer to ensure they are all at the same level (except for the specially marked positions). Then screw in the screws for fixation. If there is slight deformation or damage at the ends of the components due to the tapping, it will not affect the assembly and use.



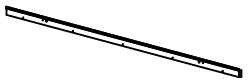
<17>

Do not screw the screw into the top hole first

Ensure proper installation before screwing in the self tapping screws



<18>



DT1 1x

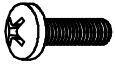


N1 1x



ST3.8x14

2 6x

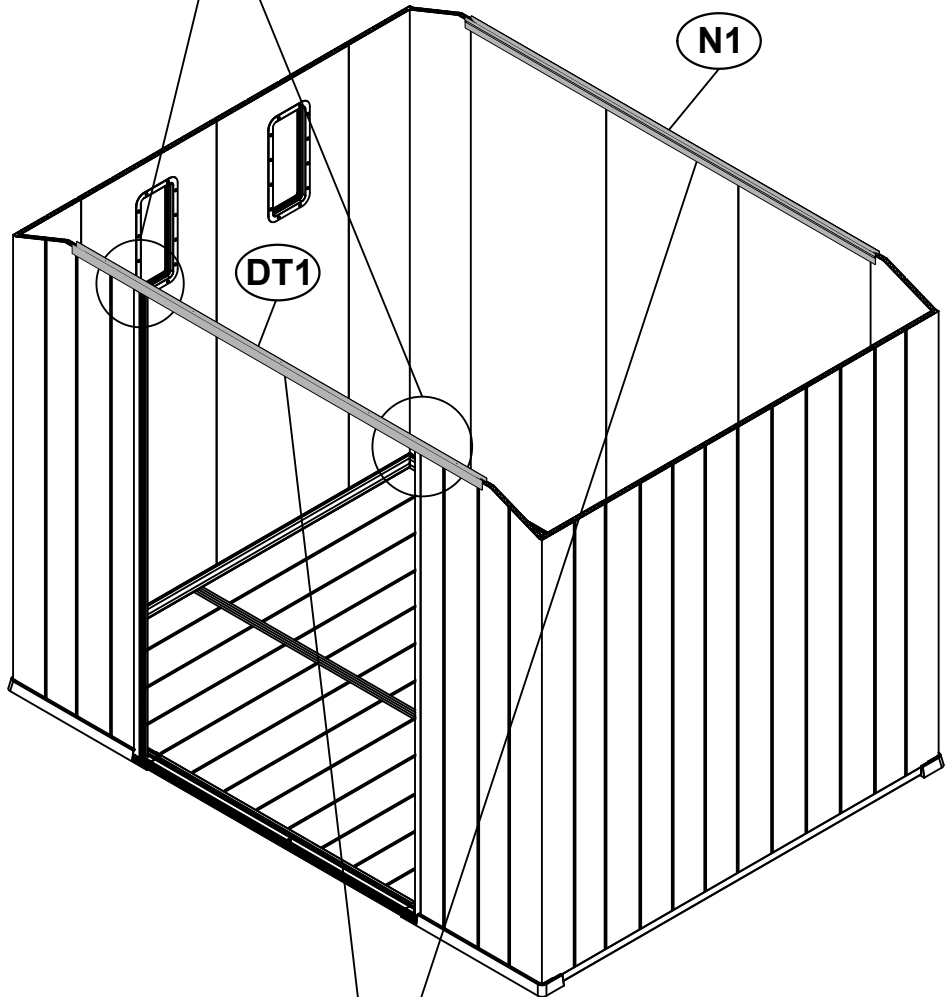
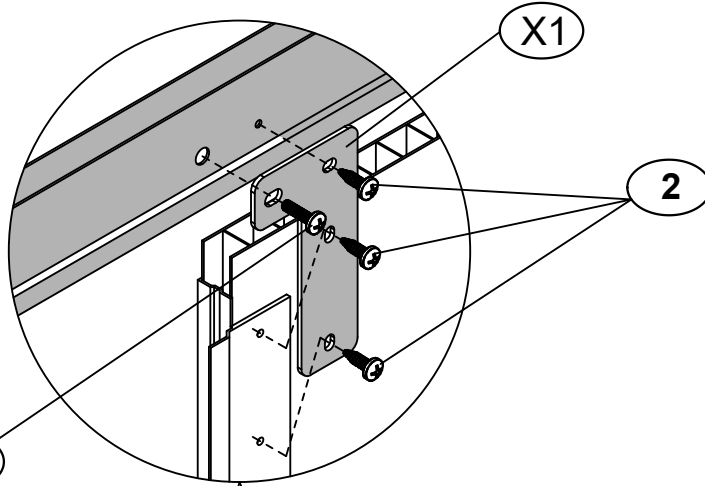


M6x15

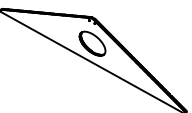
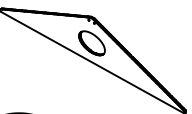
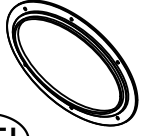



7 2x



X1 2x

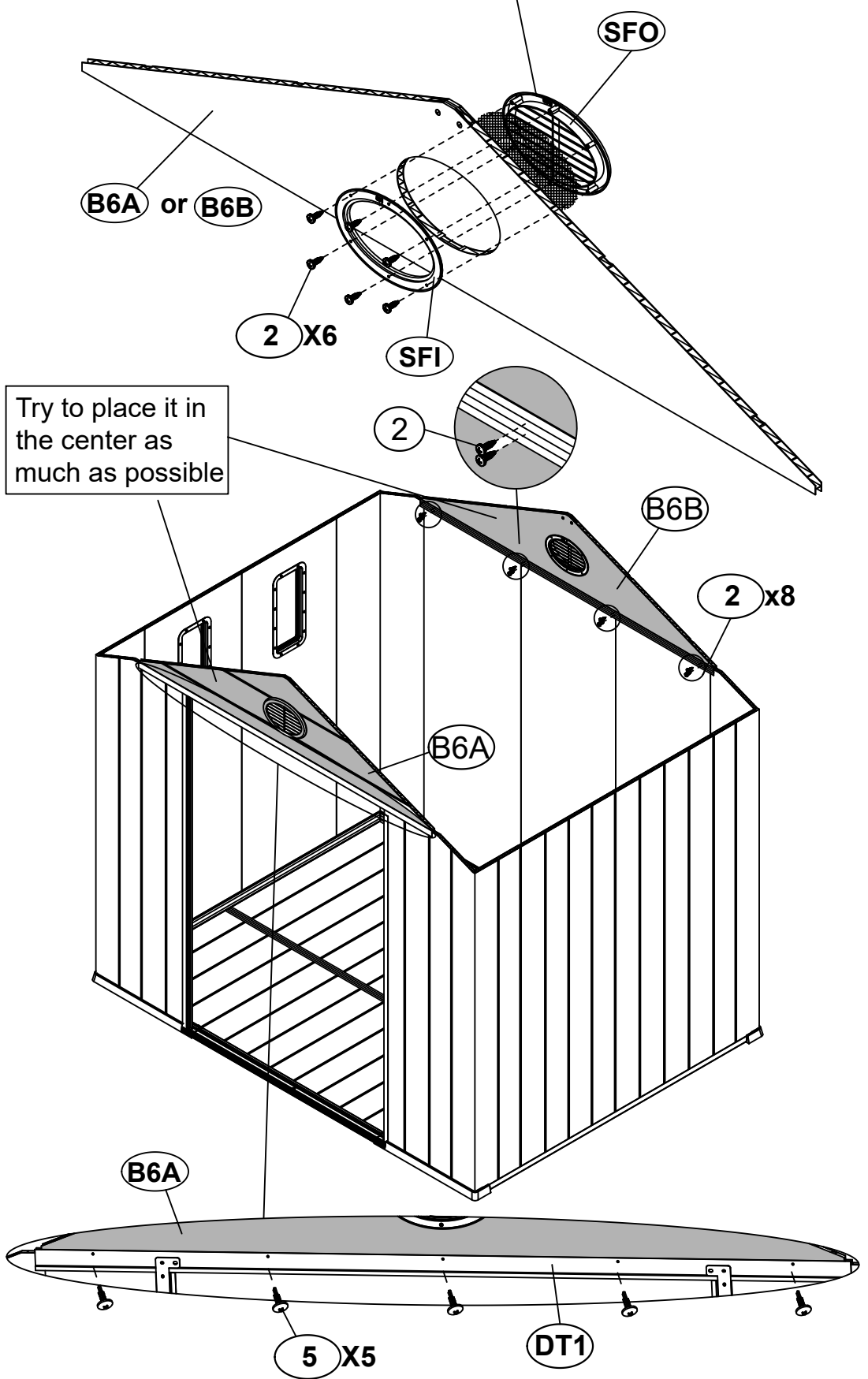


#DT1# and #N1# should be placed into the center as much as possible

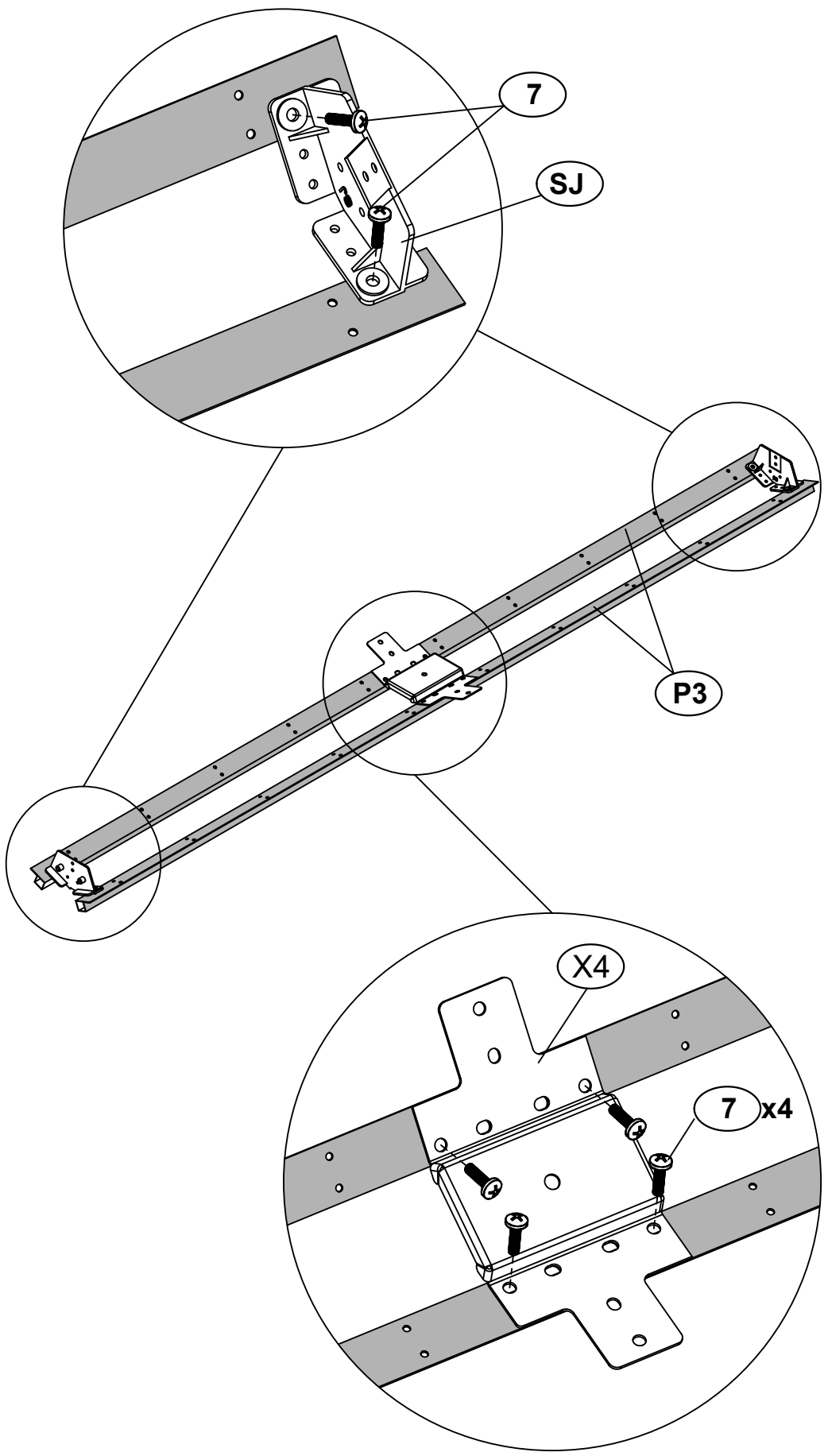
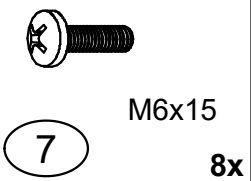
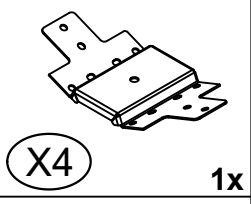
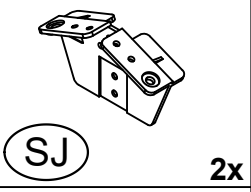
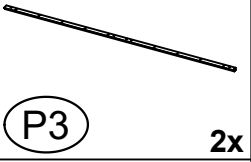
-  **(B6A)** 1x
-  **(B6B)** 1x
-  **(SFI)** 2x
-  **(SFO)** 2x
-  **(2)** ST3.8x14 20x
-  **(5)** ST4.2x16 5x

<19>

Pay attention to the direction of ventilation window. Vent Louvers should be angled down to prevent water leakage. The wrong installation will cause water in the house.



<20>



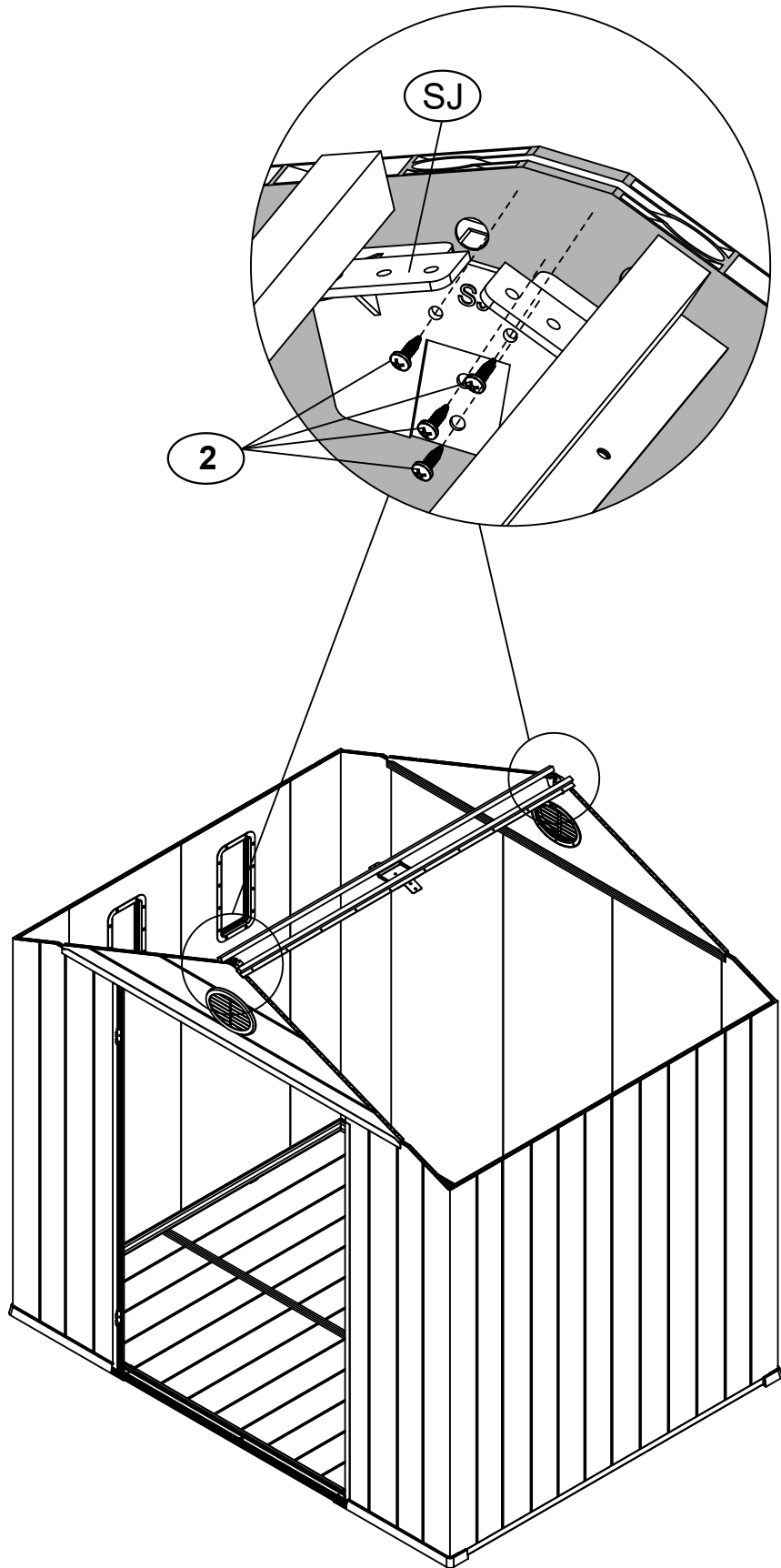


ST3.8x14

2





8x

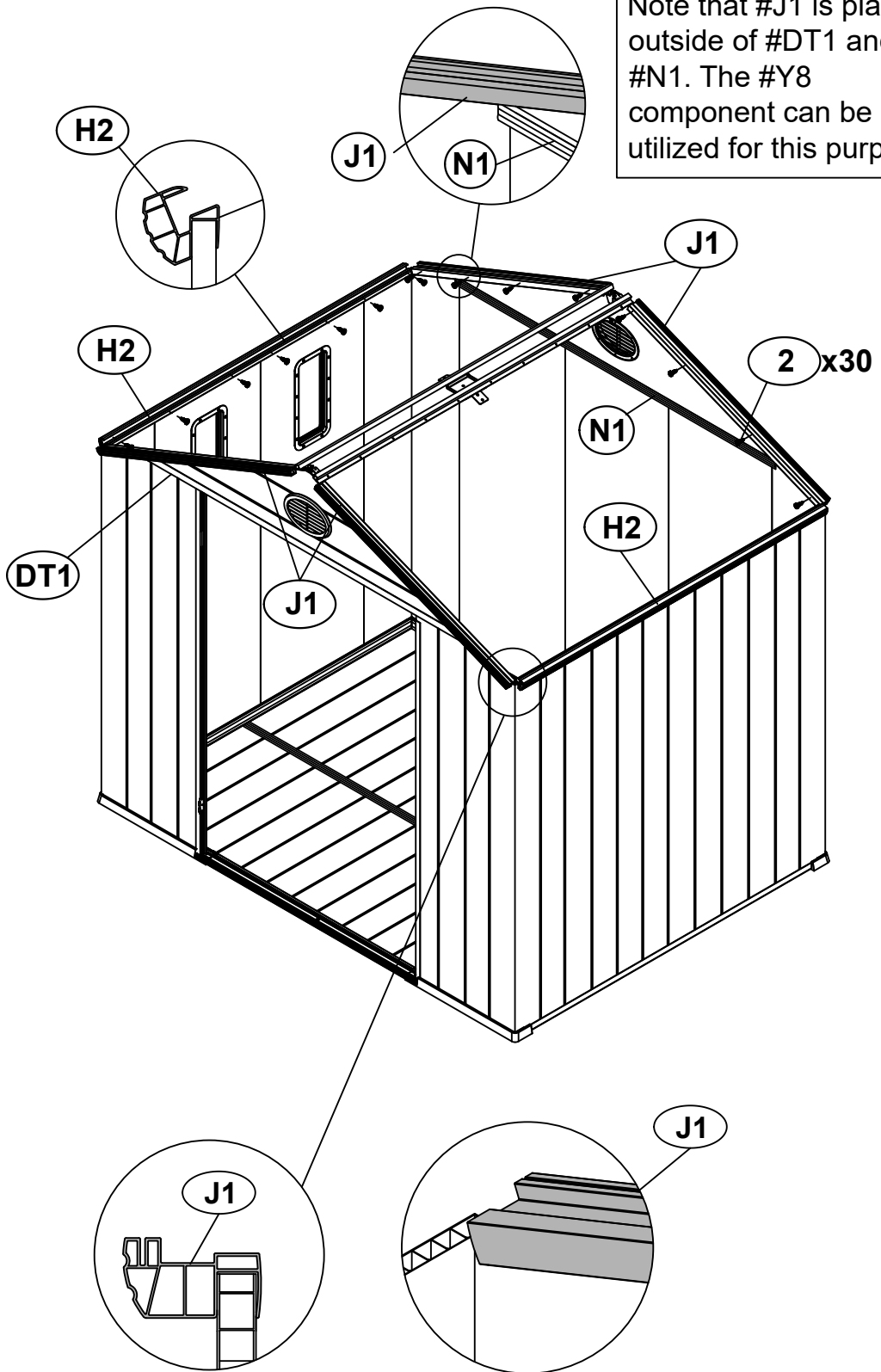
<21>



<22>

Note that #J1 is placed outside of #DT1 and #N1. The #Y8 component can be utilized for this purpose.




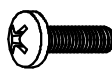
-  H2 2x
-  J1 4x
-  ST3.8x14
-  2 30x

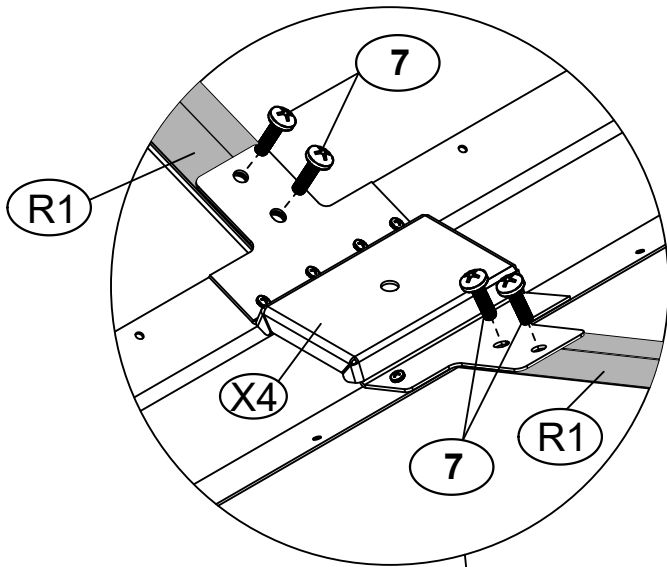


#J1# is placed tightly against the bottom edge

<23>

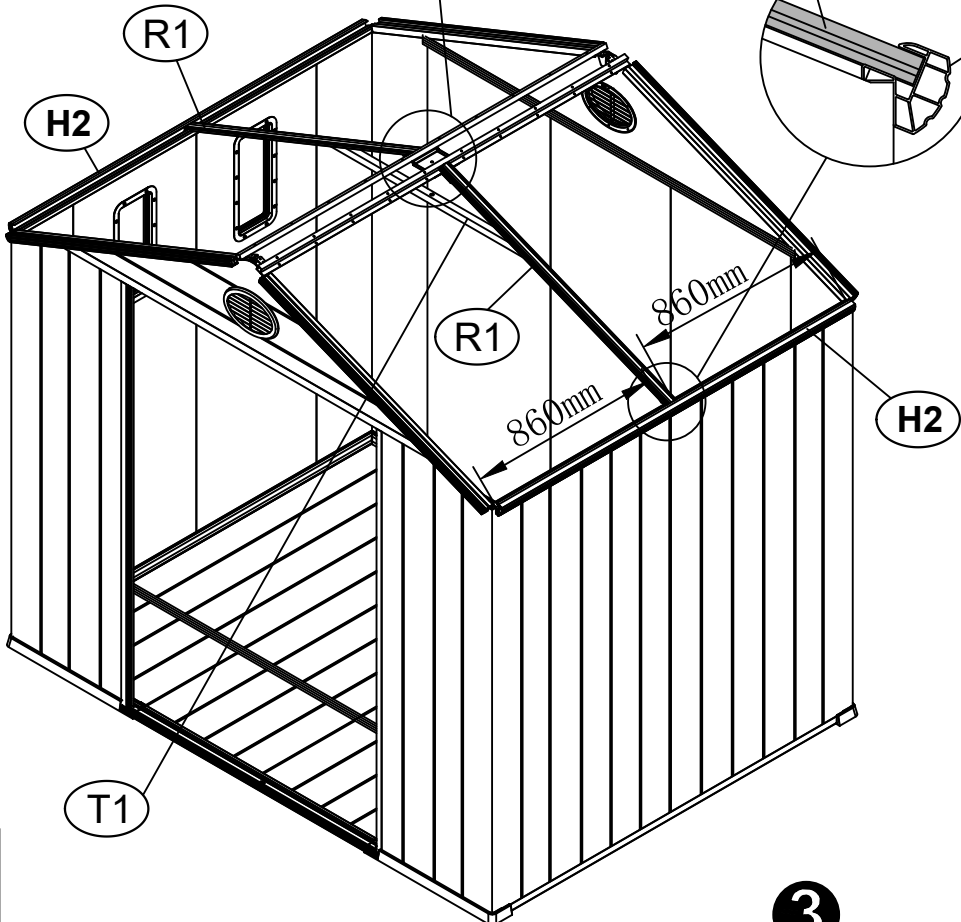
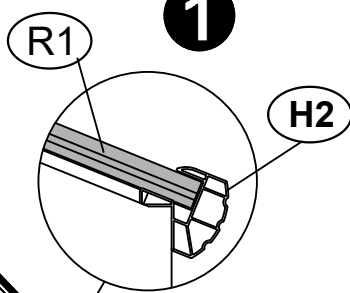
2

-  **R1** 2x
-  M6x15
7 4x
-  **T1** 1x
-  M6x15
7 2x

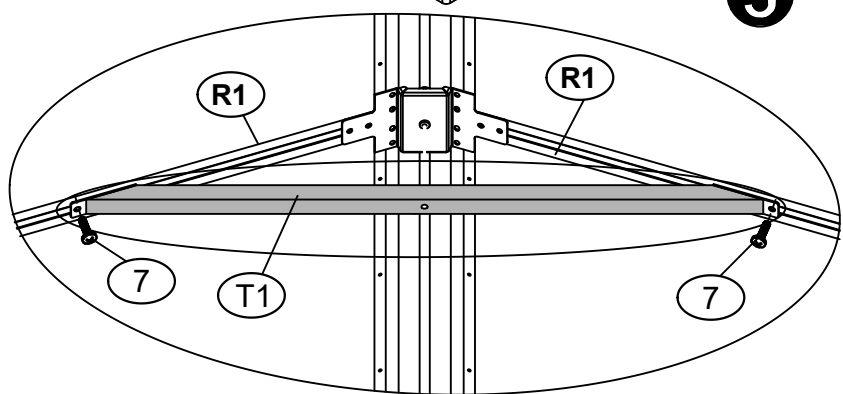


Insert the end of #R1 into the horizontal tube #H2 and position it centrally. Then, assemble #R1 and #X4 together using 4pcs #7 screws.

1

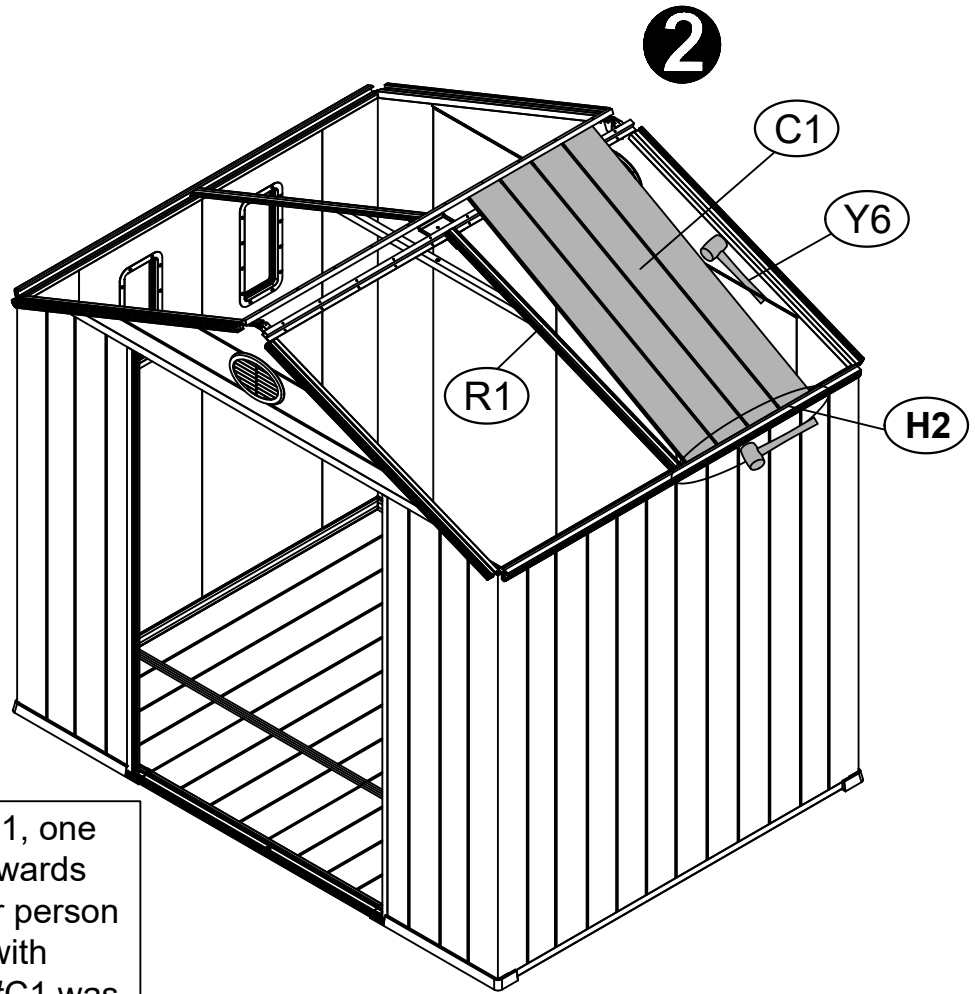
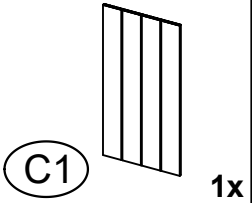


3



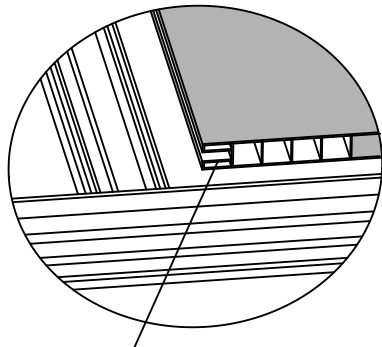
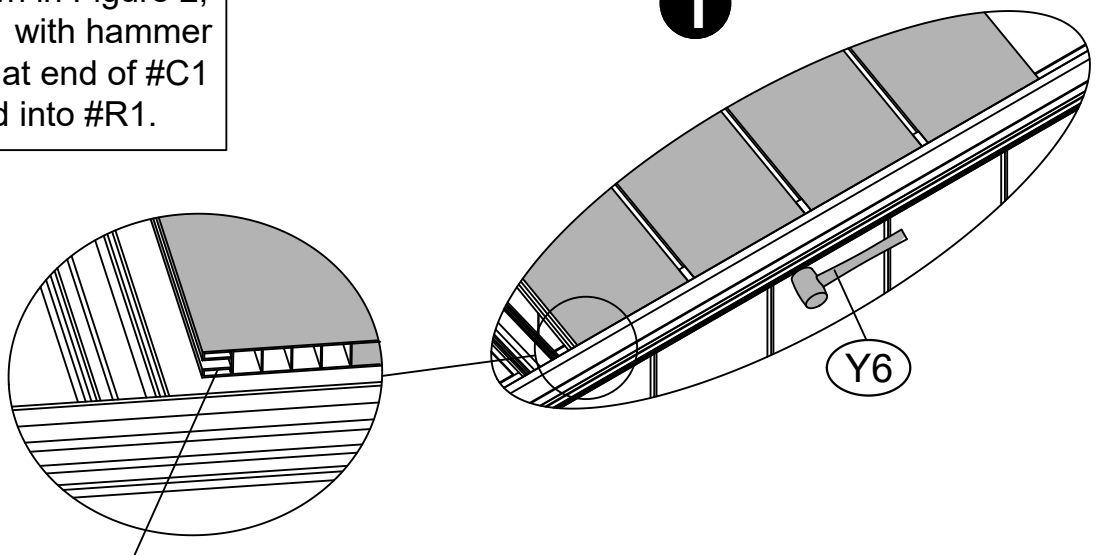
During installation, the top should be raised to align #T1# with the hole position

<24>



As shown in Figure 1, one person tilted #C1 towards #H2, while the other person gently tapped #H2 with hammer #Y6, until #C1 was completely inserted into #H2. Then, as shown in Figure 2, gently tap #C1 with hammer #Y6 until the flat end of #C1 is fully inserted into #R1.

1



Flat opening

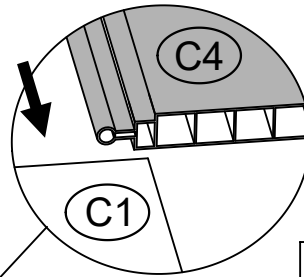
<25>

C4

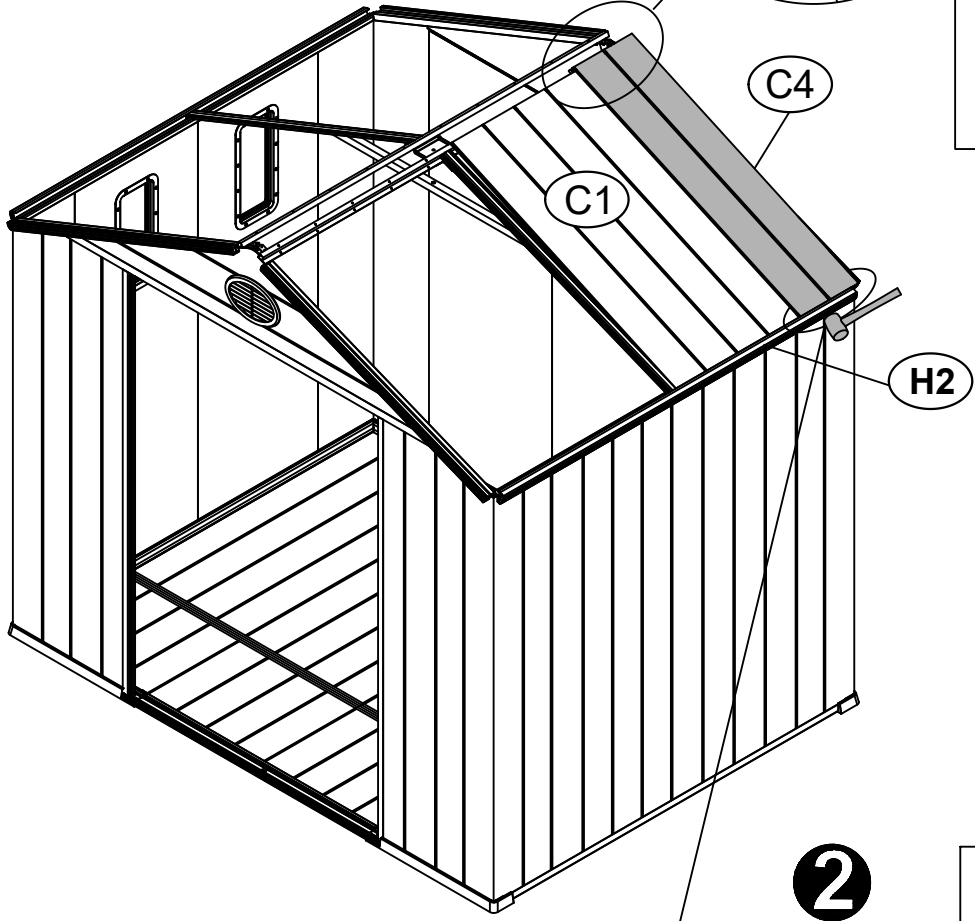


1x

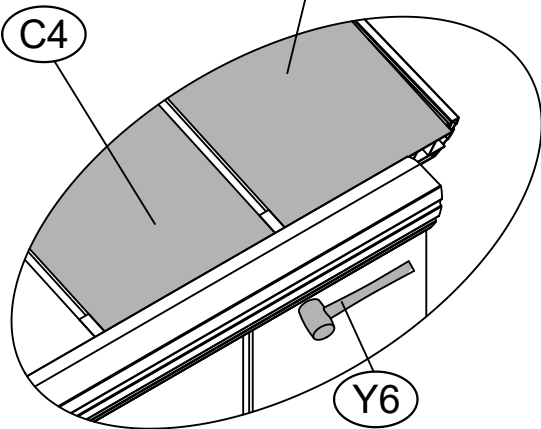
1



Lift #C1 and insert #C4 from the top along the guide slot.

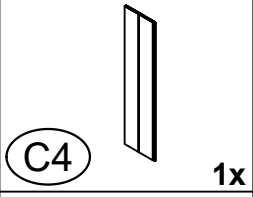
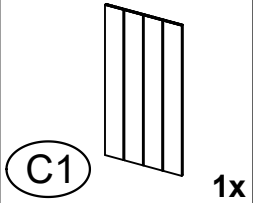


2

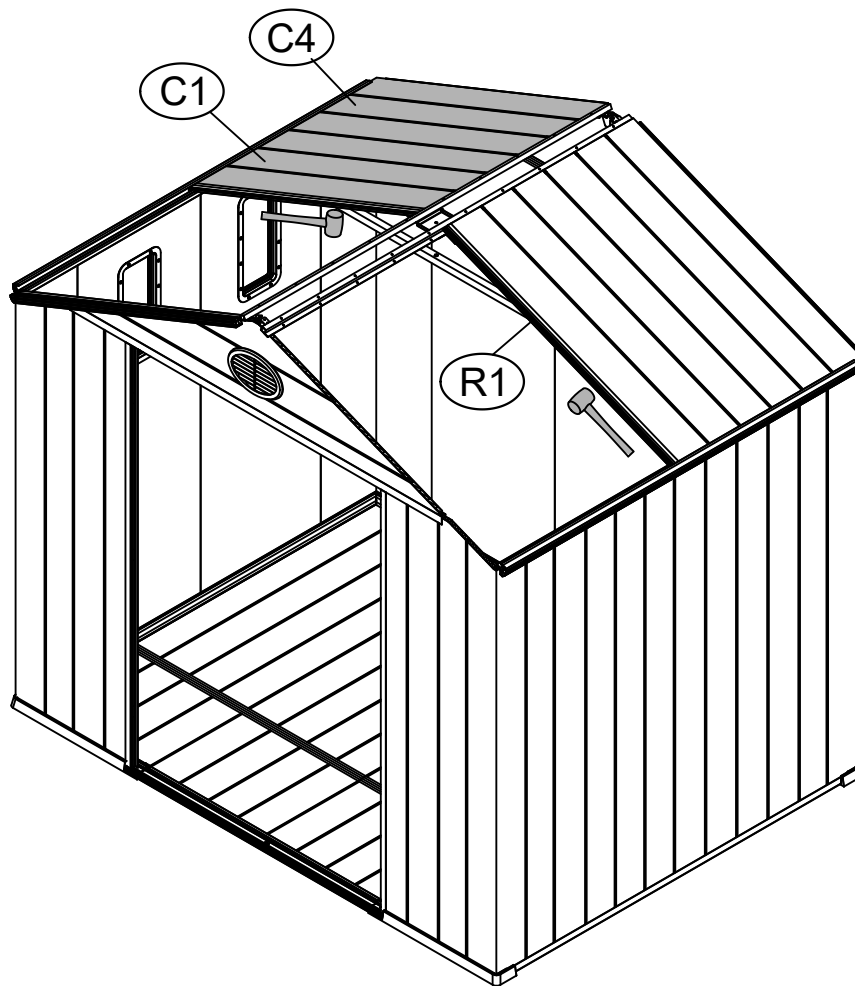


Tap #H2 gently with a hammer until #C4 is fully inserted into #H2.

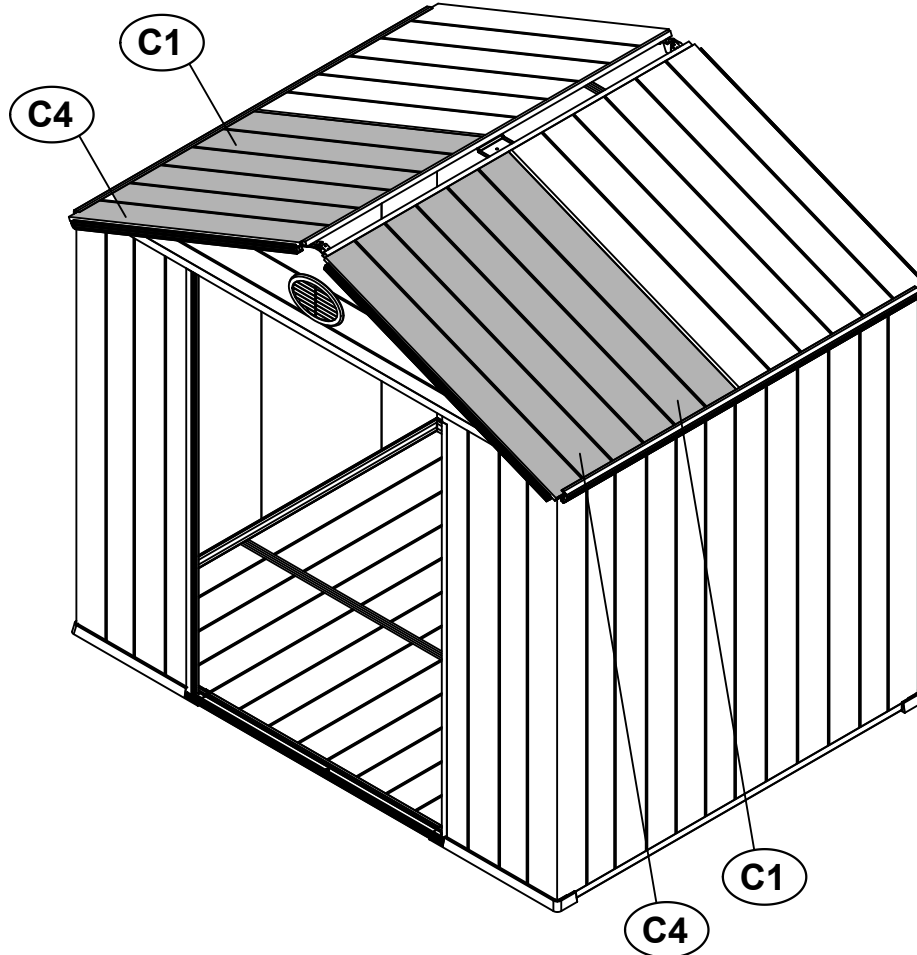
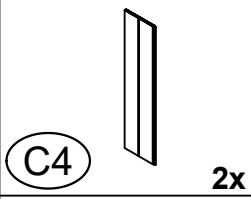
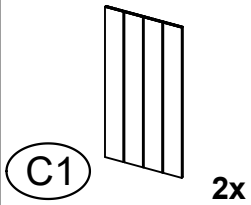
<26>



Repeat steps 24 and 25, assemble #C1 and #C4 together, then gently tap #R1 with hammer #Y6 to ensure that #C4 aligns with the side tube #J1. Avoiding the situation where #R1 is not centered will prevent any issues in the subsequent installation.



<27>

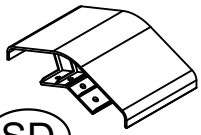


Repeat steps 24, 25, and 26, and assemble the #C1 and #C4 on the other side.



Q4

2x



SD

1x

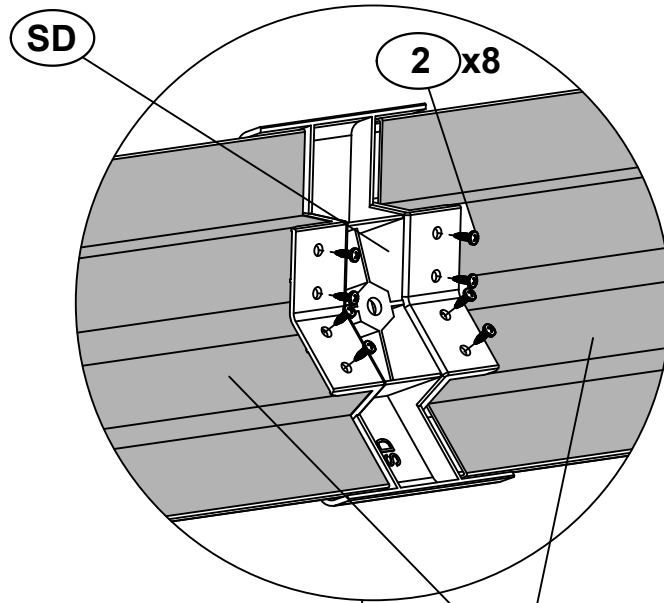


ST3.8x14

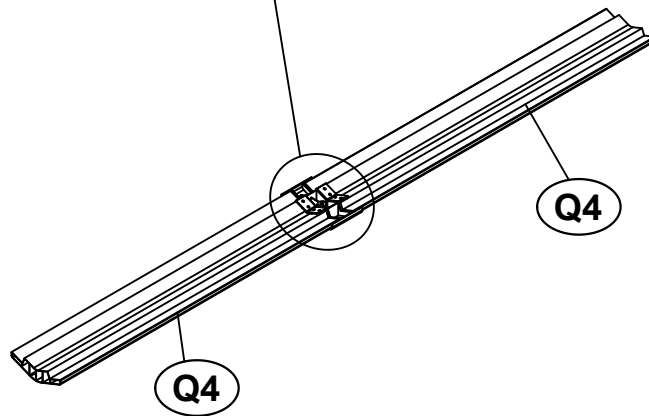
2

8x

<28>



Q4



Q4

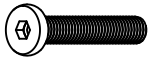
Q4



ST3.8x14

2

8x



M8x45

10

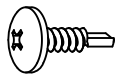
1x



ST4.8x32

4

20x



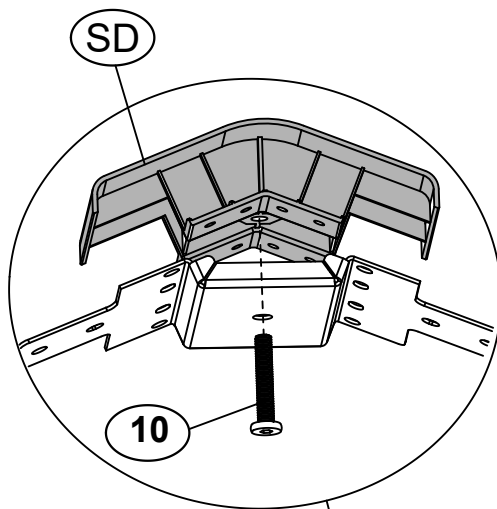
ST4.2x16

5

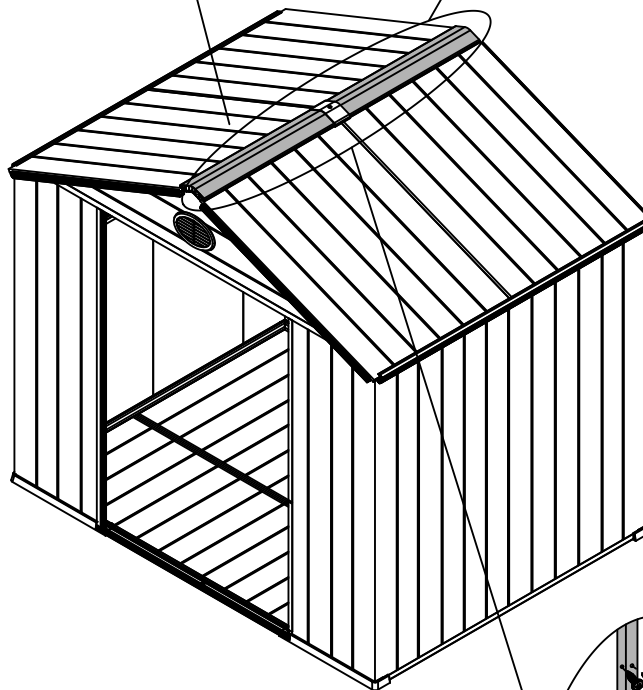
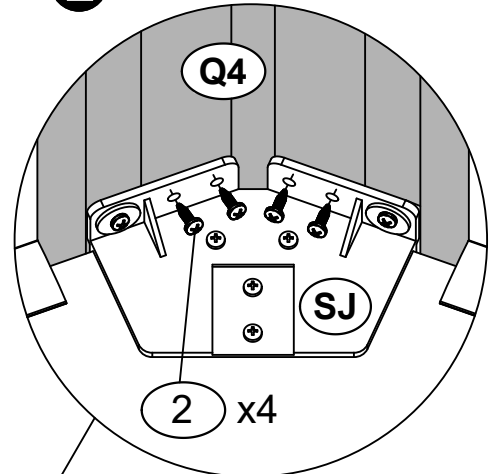
20x

<29>

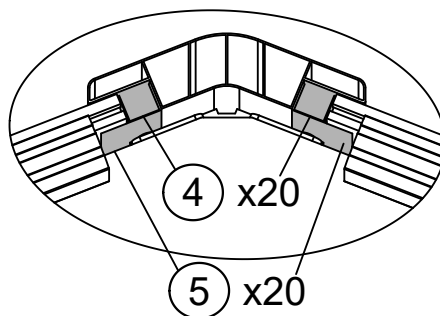
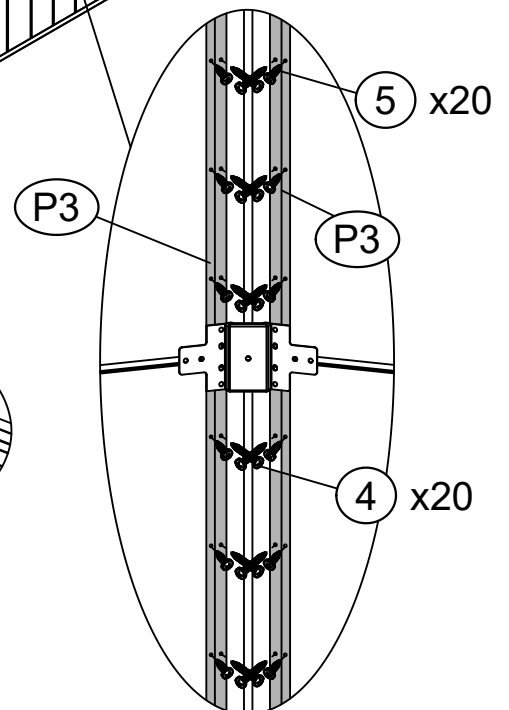
1



2



3





K1

4x

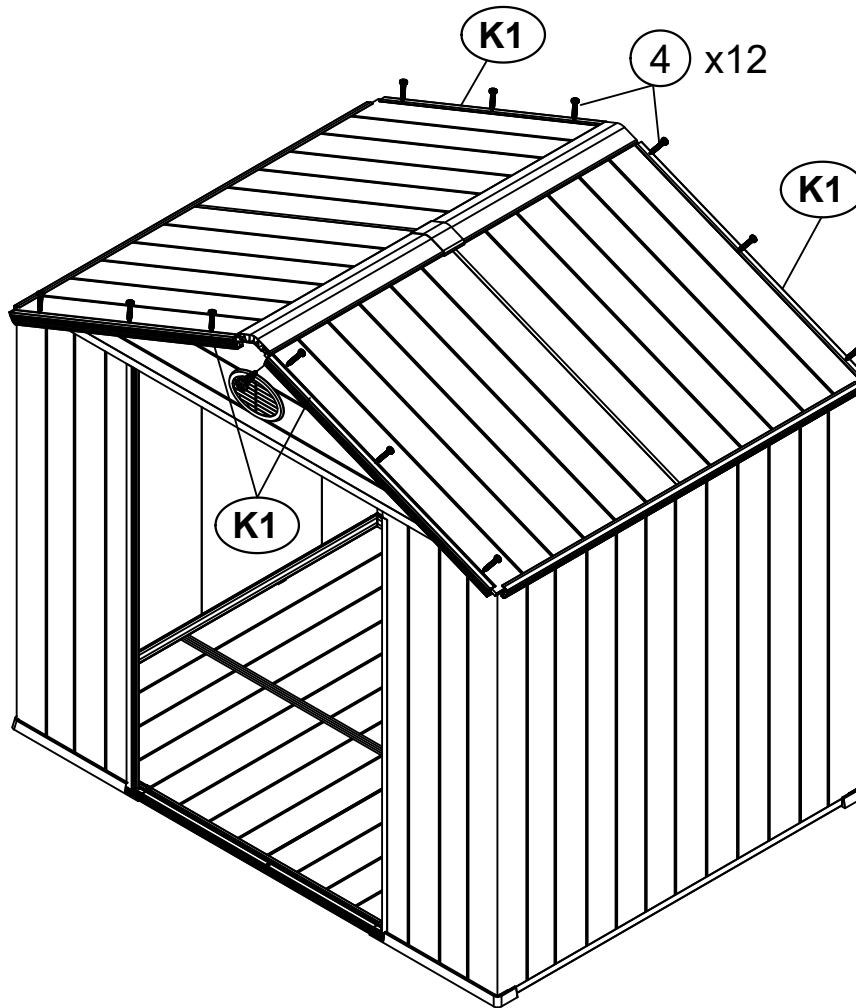
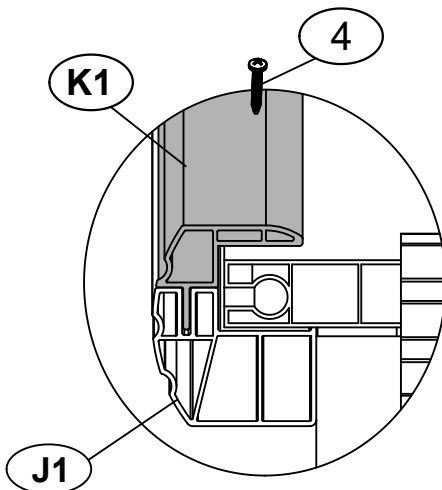


ST4.8x32

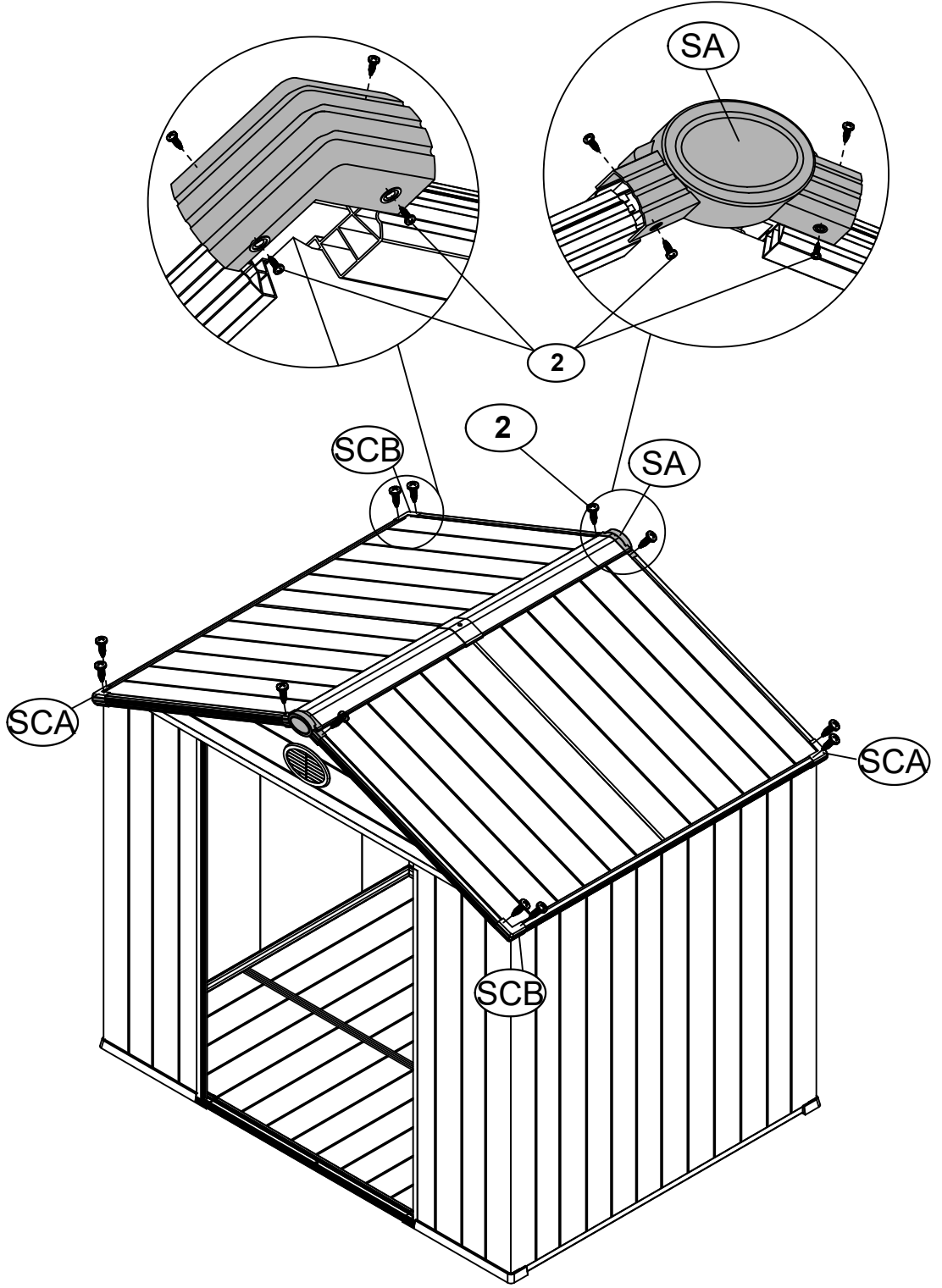
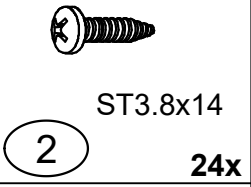
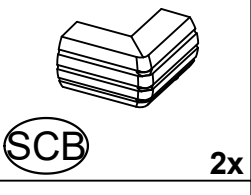
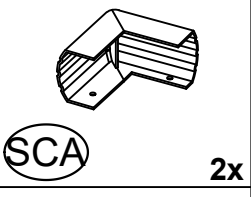
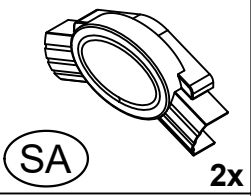
4

12x

<30>

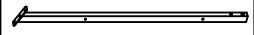


<31>



<32>

U3A 4x



U3B 2x



U3C 2x



U4 2x



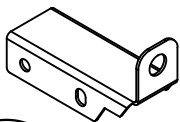
M6x40
8 20x



M6
9 20x



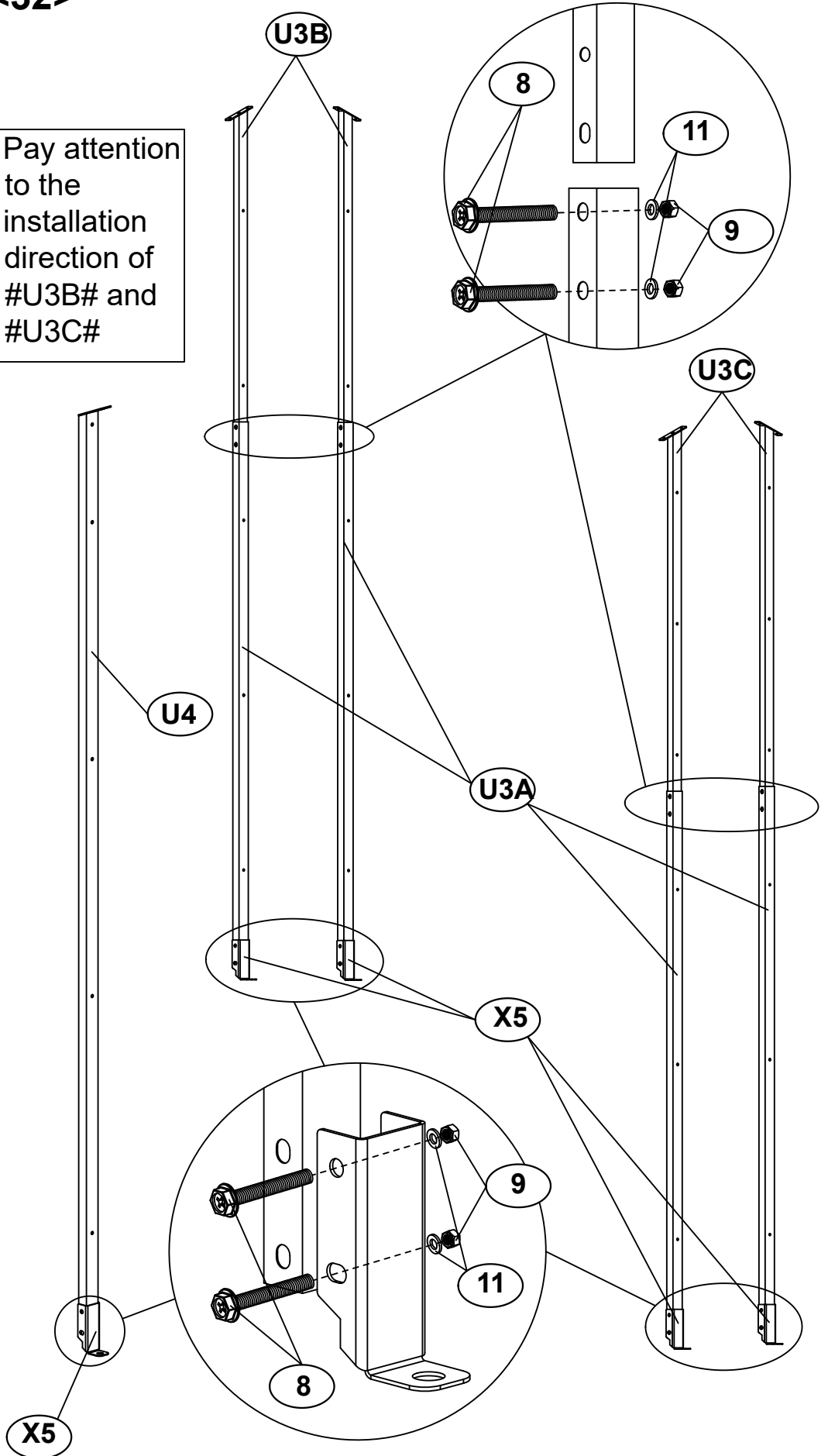
M6
11 20x



X5 6x

40

Pay attention to the installation direction of #U3B# and #U3C#

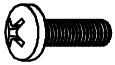




ST4.8x32

4

10x

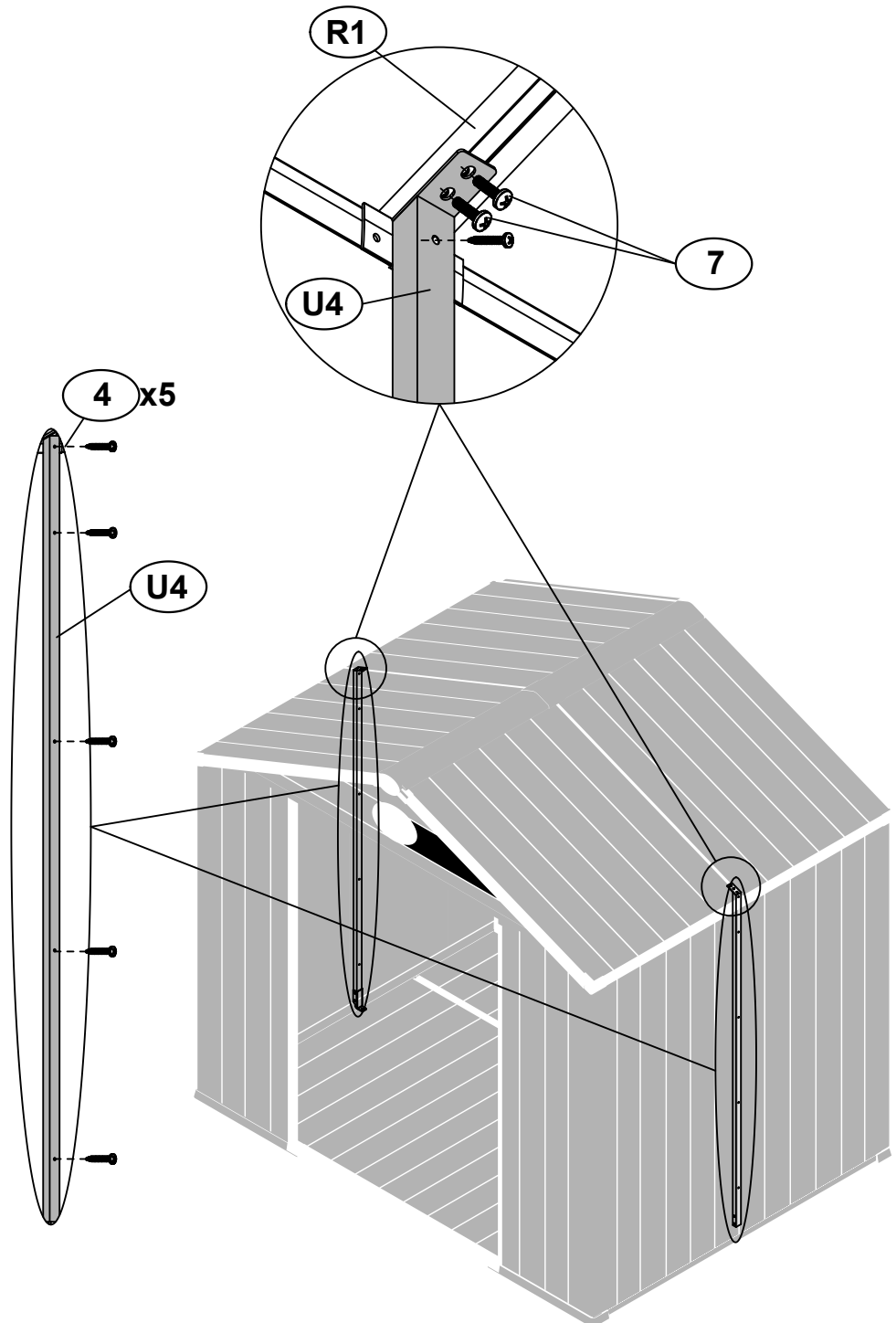


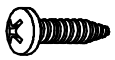
M6x15

7

4x

<33>





ST3.8x14

2

4x

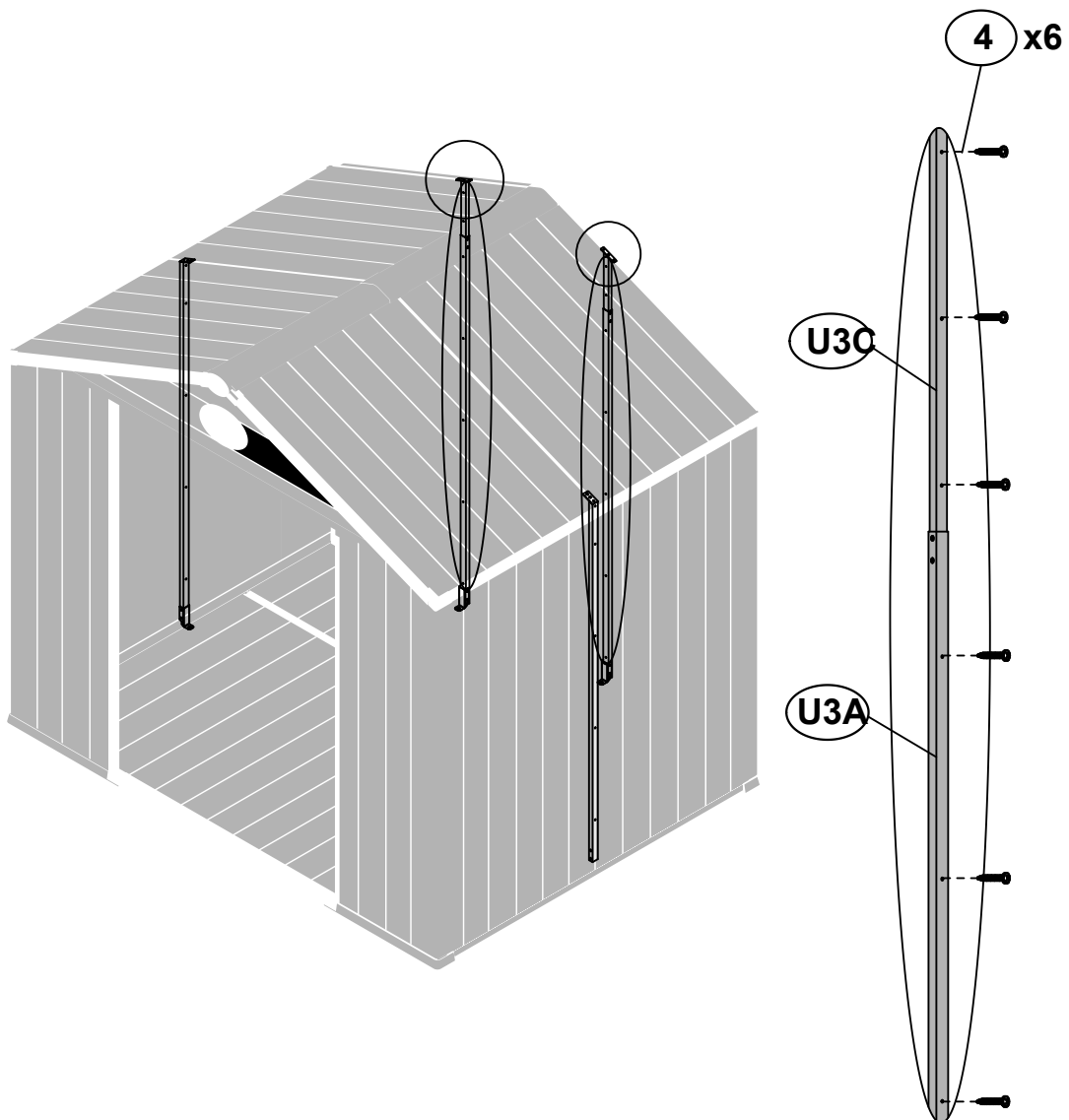
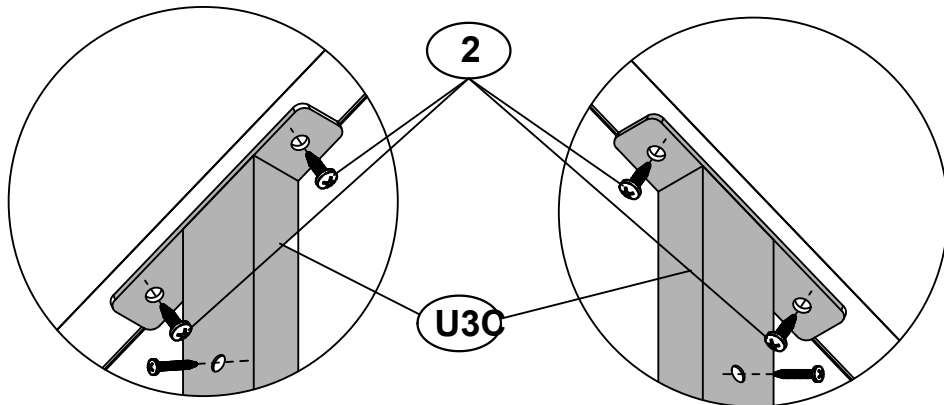


ST4.8x32

4

12x

<34>





ST3.8x14

2

4x

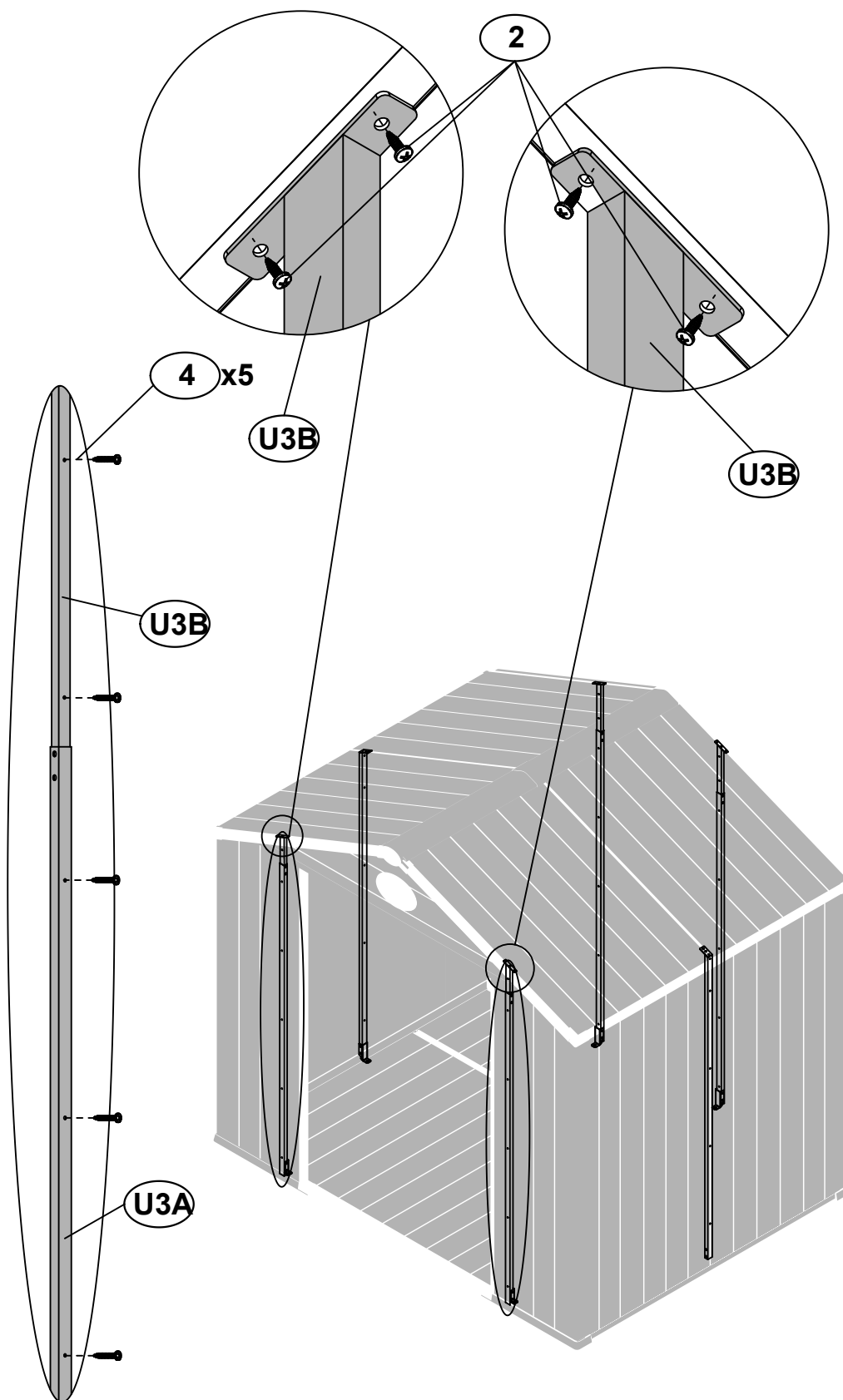


ST4.8x32

4

10x

<35>

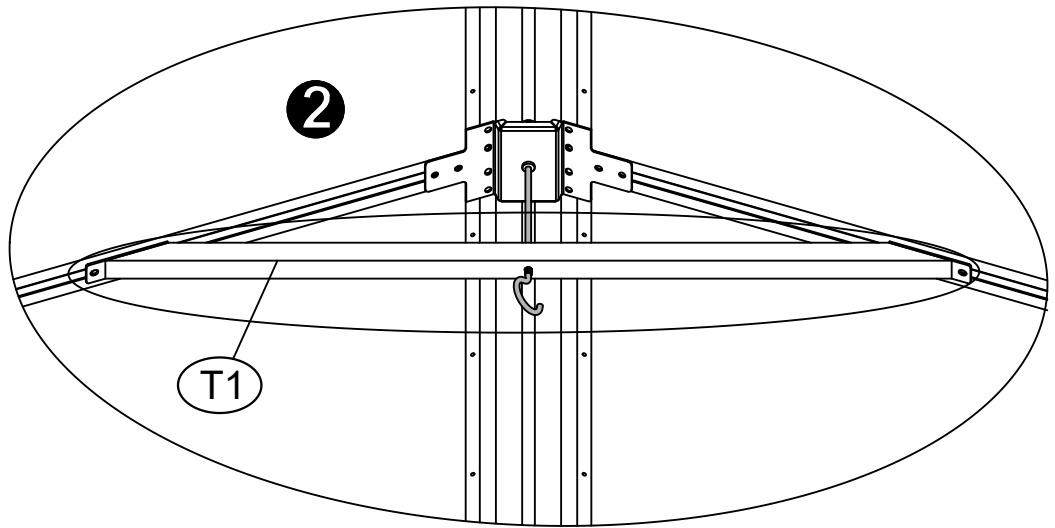




X6

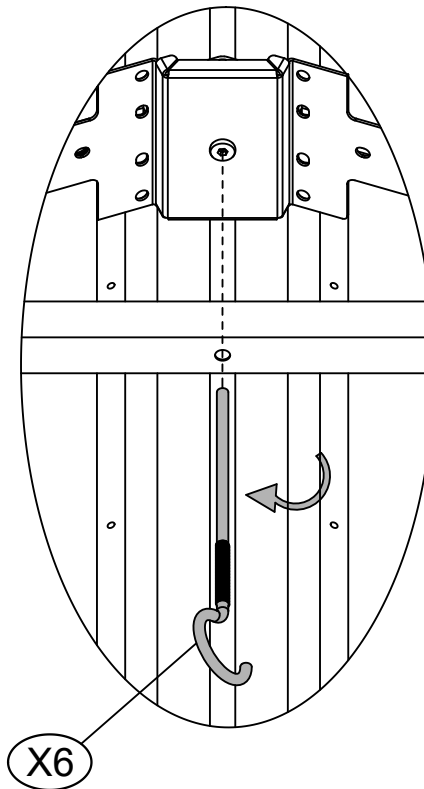
1x

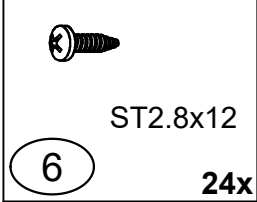
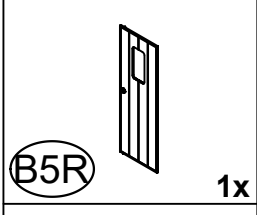
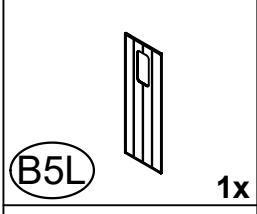
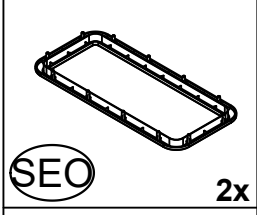
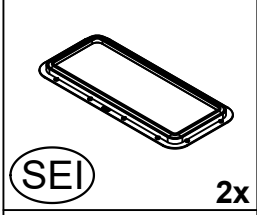
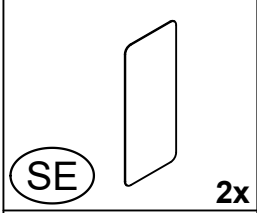
<36>



If there is a depression on the top of the tool room, it can be lifted by rotating #X6.

1



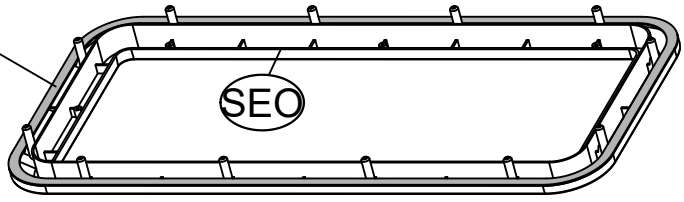


<37>

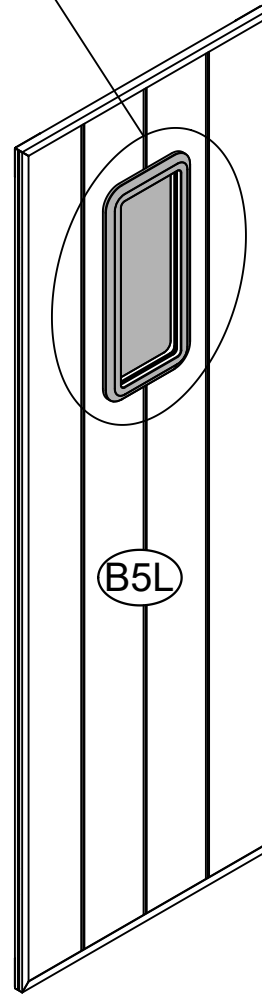
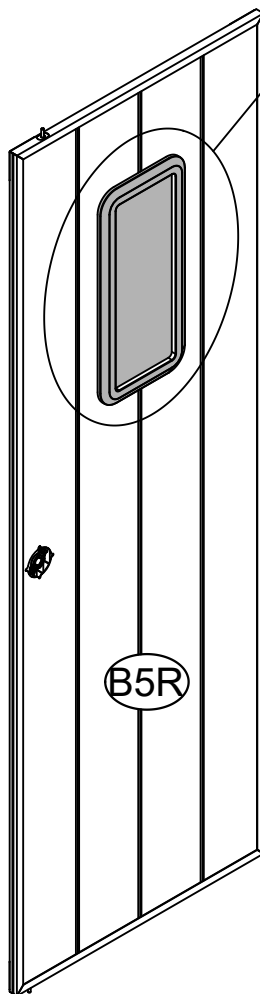
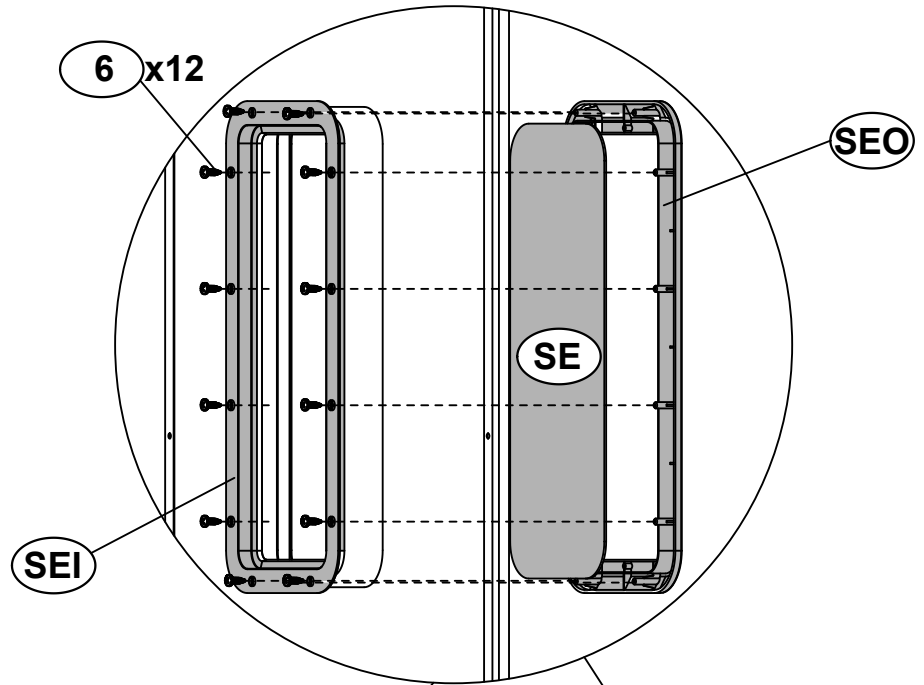
1

rubber
sealing
strip

X7



2



<38>

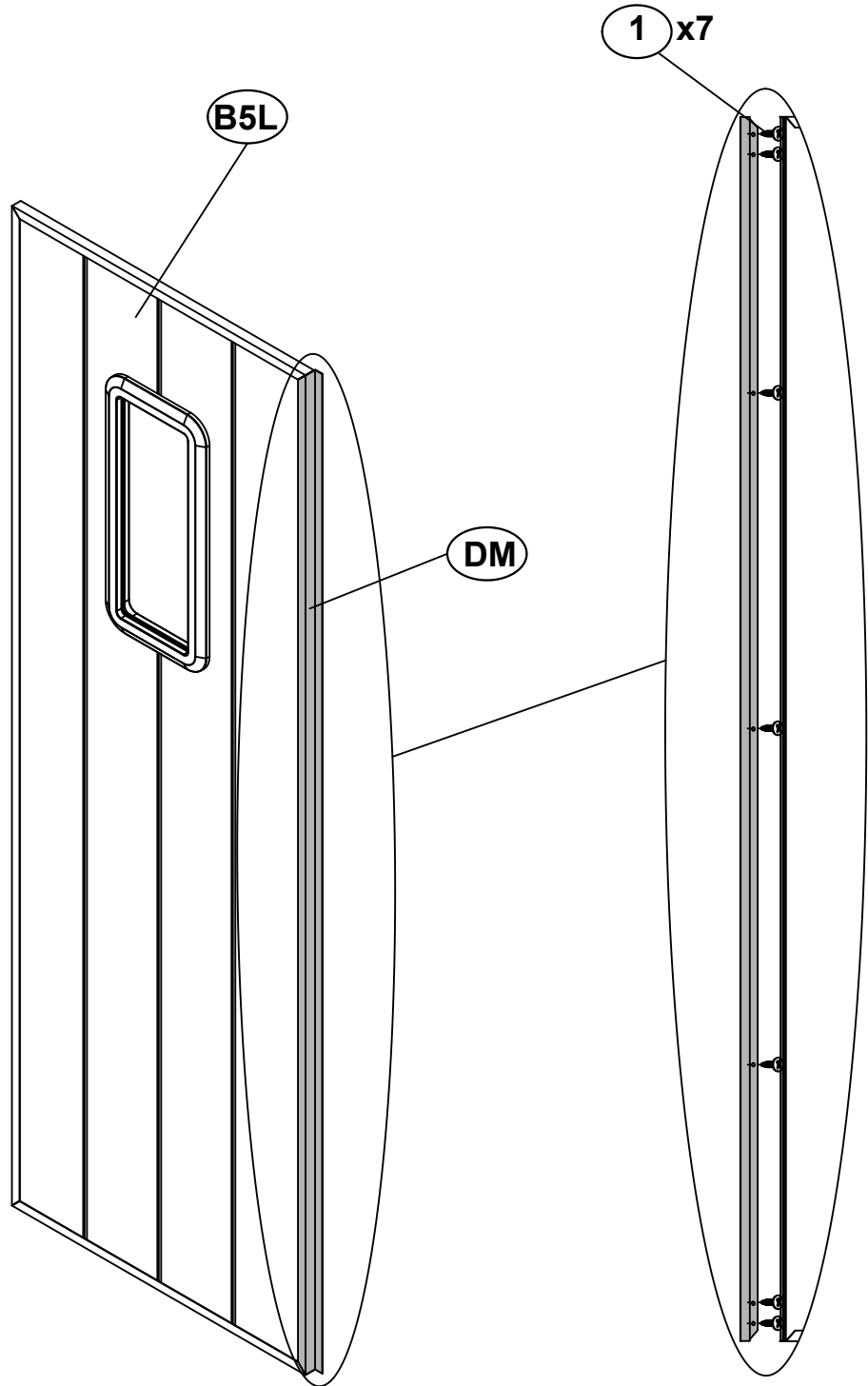




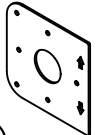
DM 2x



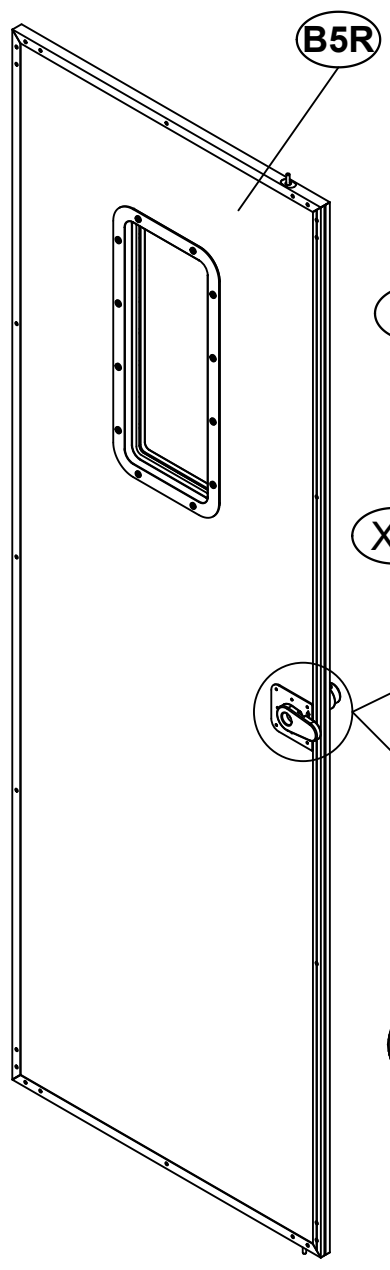
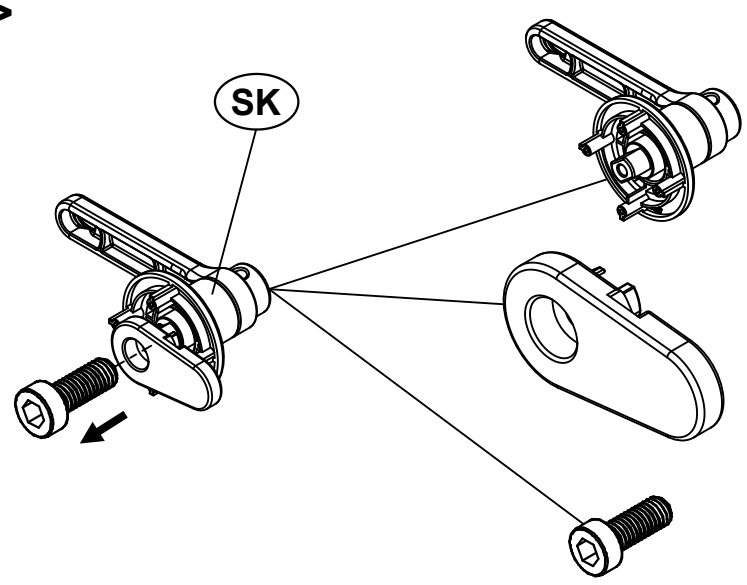
ST3.8x12

1 7x

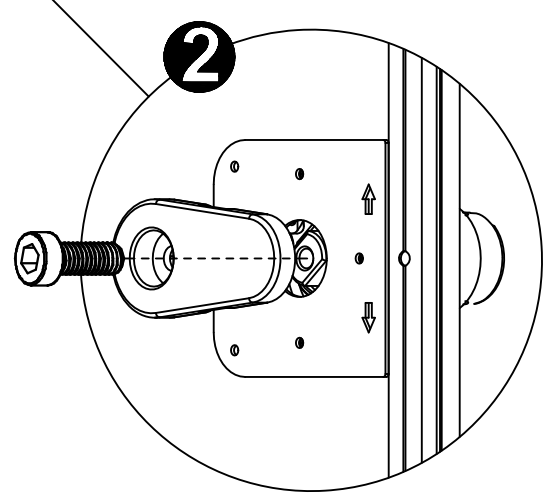
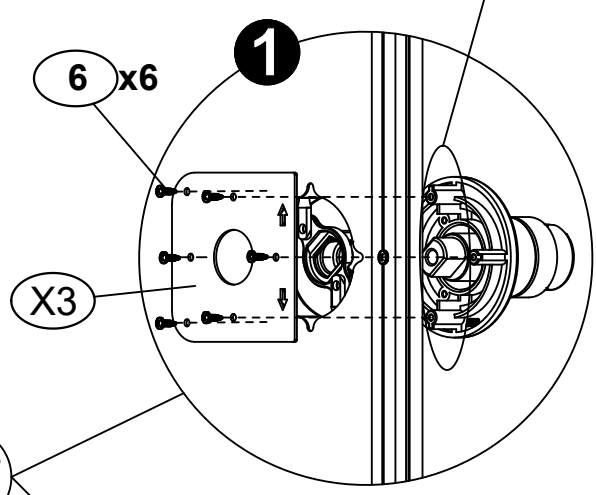


-  (SK) 1x
-  ST2.8x12 (6) 6x
-  (X3) 1x

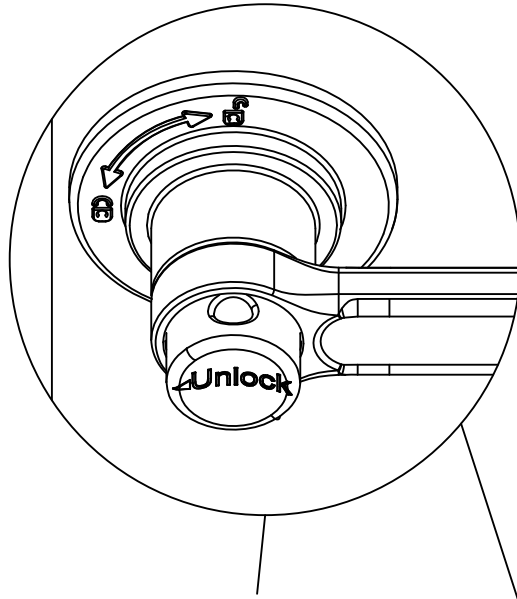
<39>



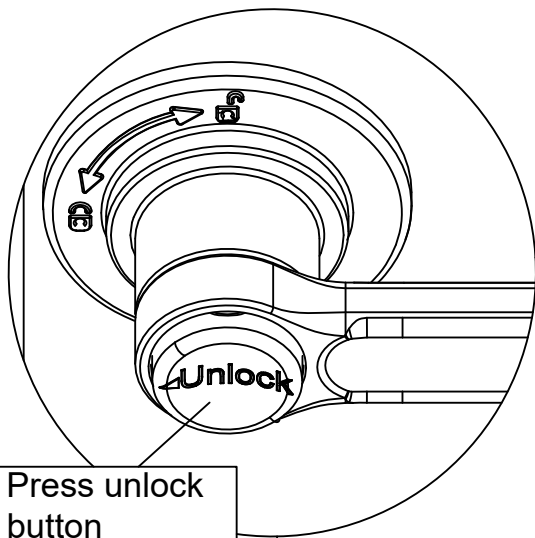
The direction of the raised steps during installation is located above and below



<40>

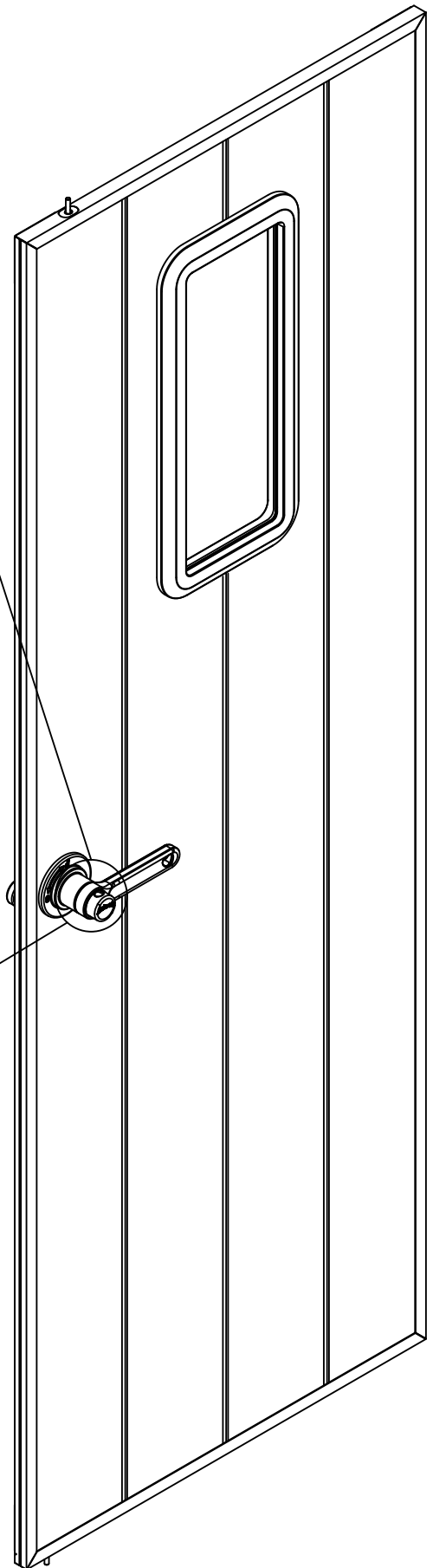


When the door lock button is in this state, the door handle is in the locked state and cannot be rotated



Press unlock button

When the door lock button is in this state, the door lock is unlocked and can be opened by pressing the door knob

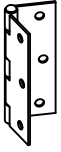




ST3.8x12

3

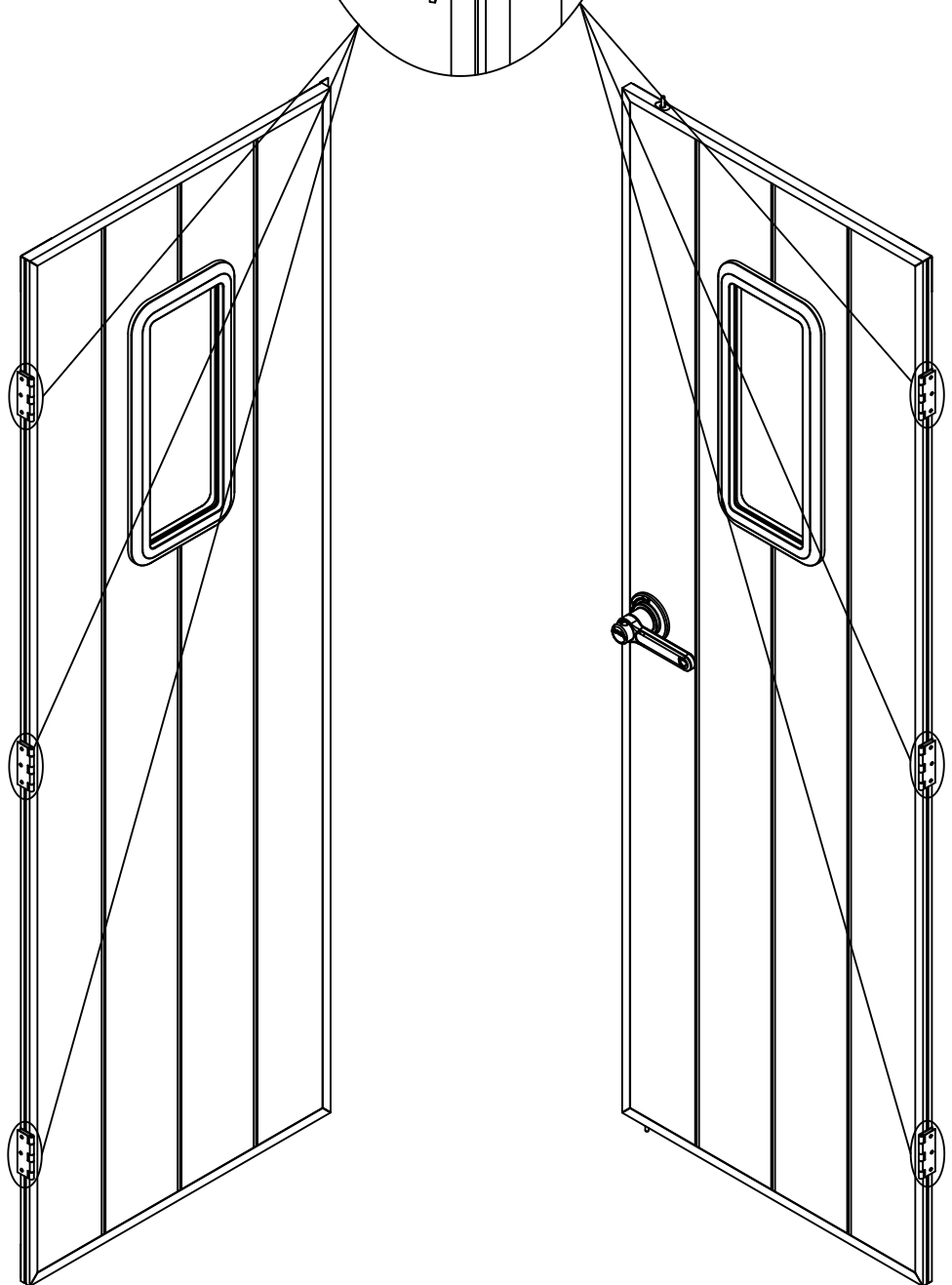
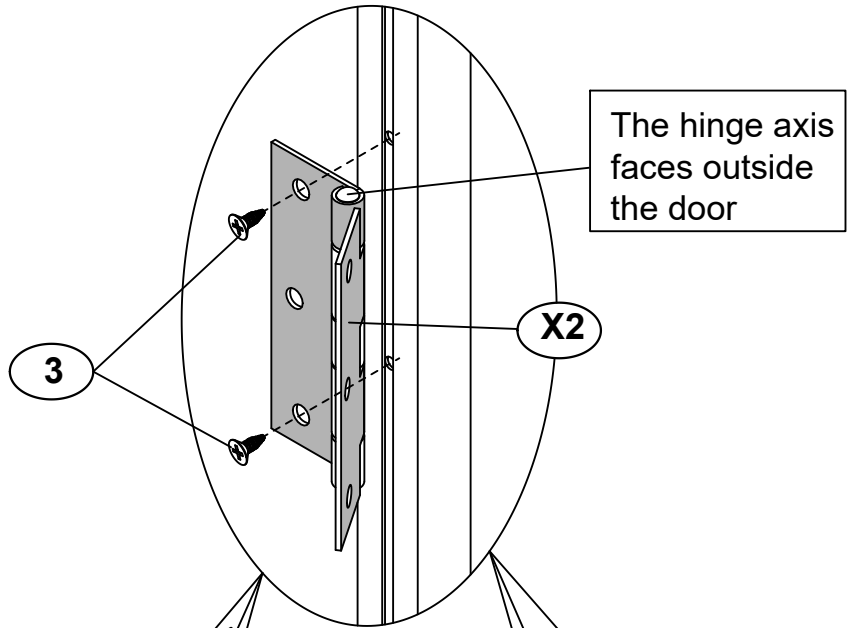
12x



X2

6x

<41>



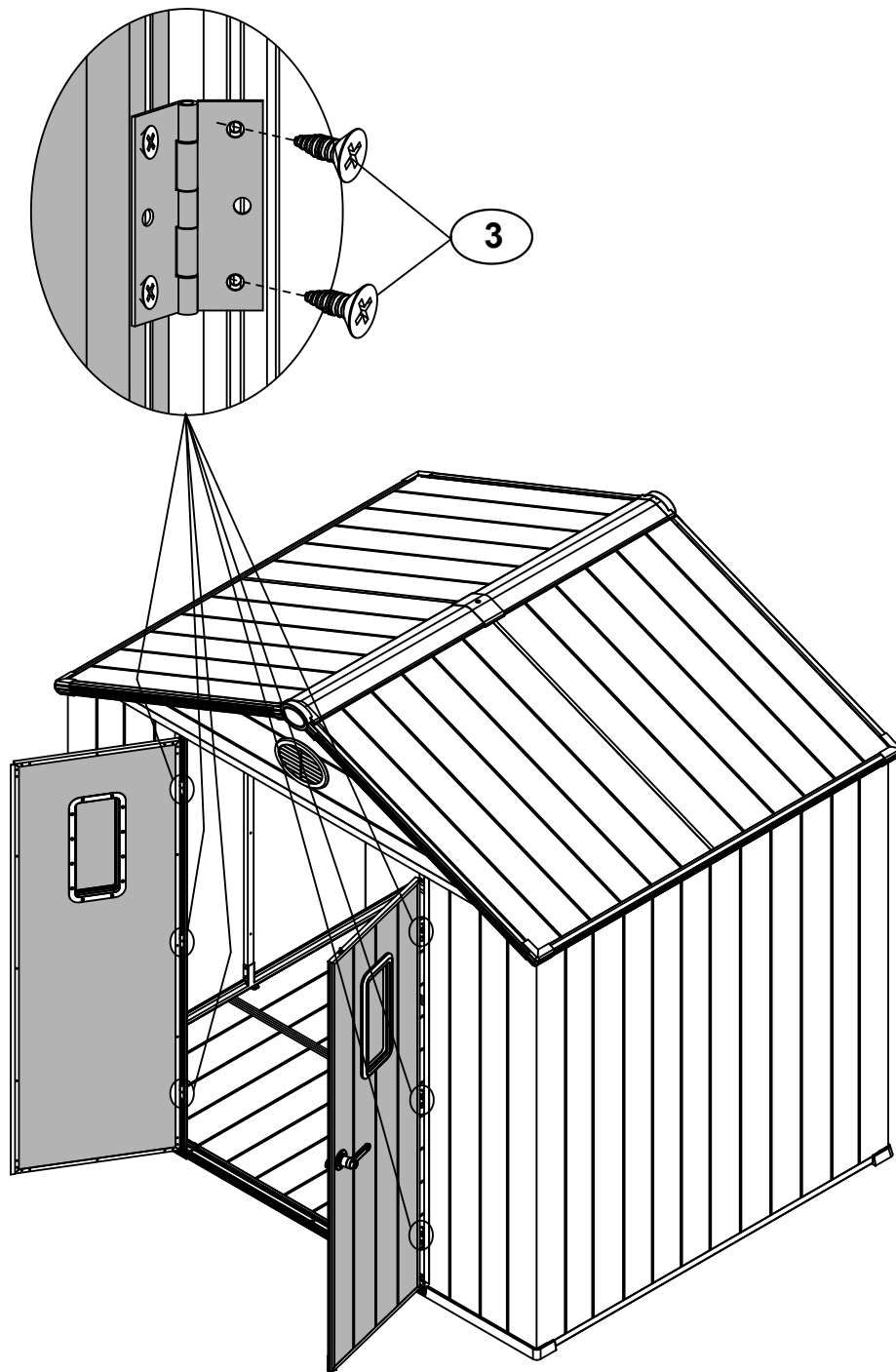


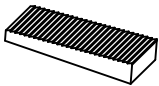
ST3.8x12

3

12x

<42>

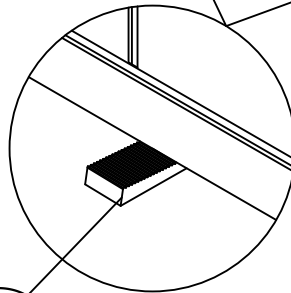
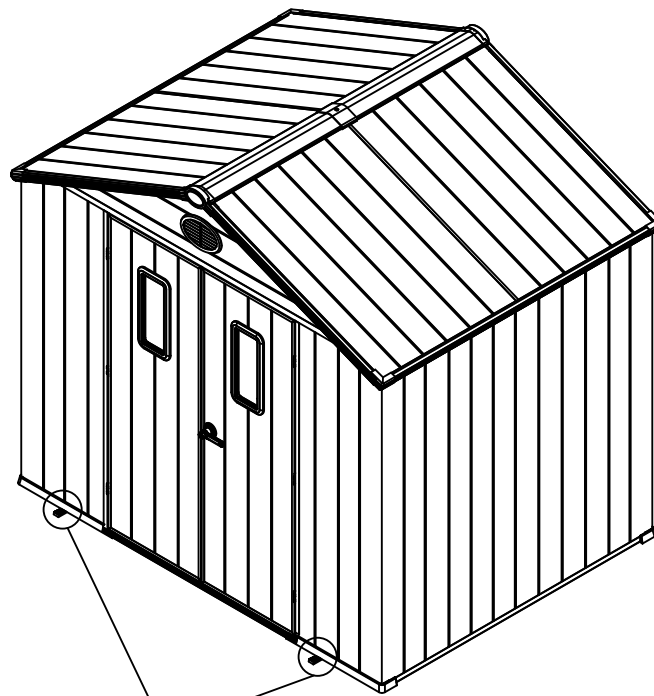




<43>

SP

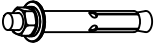
2x



SP

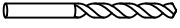
If the assembled rear door frame is tilted, the #SP# part can be placed on the left or right side of the tool house as shown.

<44>



M8x80
6x

12



Y3

1x

You need to prepare
your own electric drill
to assist in drilling.

