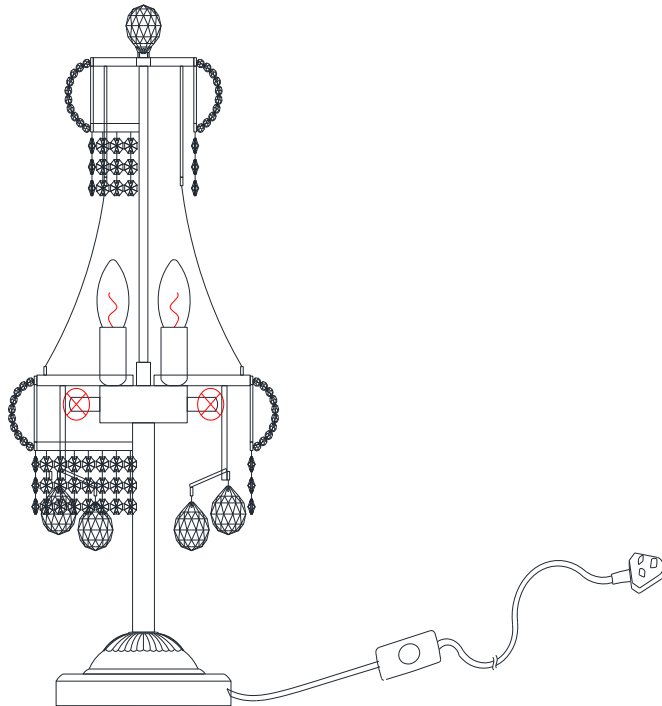


# TABLE LAMP

12"X26"

6LIGHTS



Thanks for purchasing. Our staff is committed in providing you with the best lighting designs, quality, and service. Please enclosed find a detailed instruction for the your light. If you may have any further questions, feel free to contact our head quarter directly at the following. Please include the item number and size for the purchased product in the subject and your concern in the body and we will get back to you as soon as we can. If your concern is urgent, please contact the store you purchased this product.

# INSTRUCTIONS/GUIDELINES

---

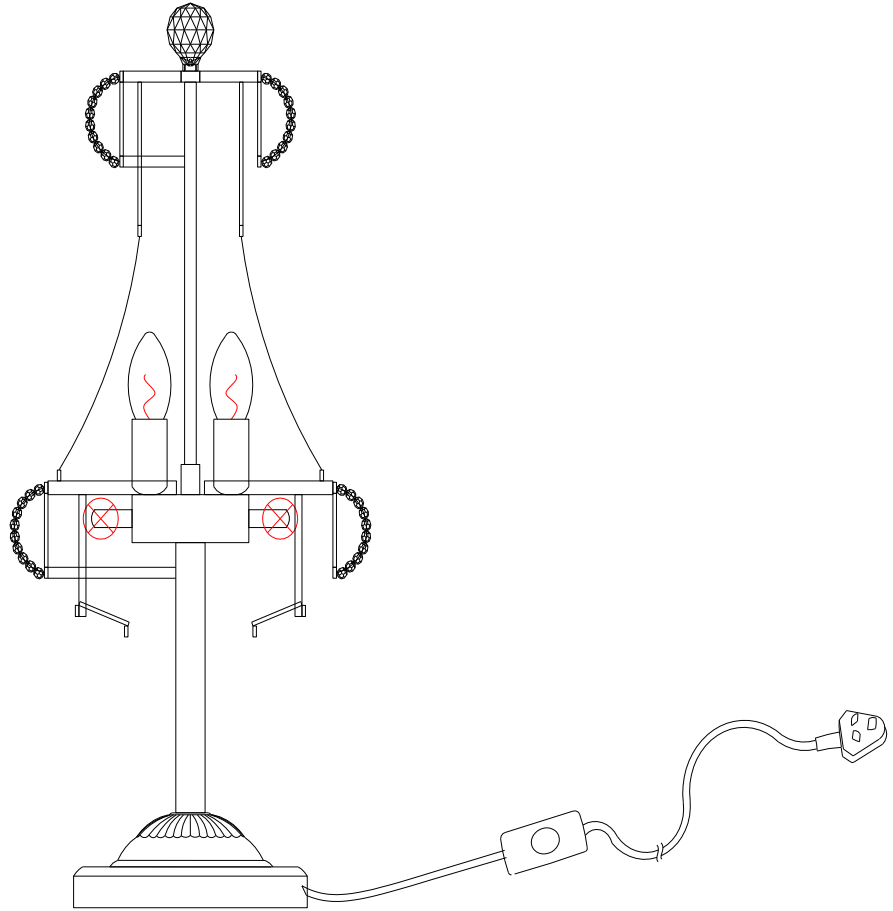
1. Avoid damaging and exposing the wiring of this product during the insertion through the threaded rod.
2. Ensure you use wire nuts and insulation tape to secure all wire connections. (wire nuts enclosed)
3. It is advisable to procure the services of a certified electrician to assemble the product. will not bear responsibility for any **damages** caused.
4. If you are doing the electrical connection yourself, ensure you connect one wire of the light to neutral, another to the live, and the copper wire to ground. Always ensure that the ground wire is connected.
5. When putting on crystals and other delicate parts of the product, always use the gloves that are provided. Extra care must be taken at all times to avoid damages.
6. Do not use corrosive chemicals to clean this product. Contact your store for proper cleaning tips
7. Remember, it is wise to turn off the power to the light during installation, while cleaning and changing bulbs.
8. To avoid fire, ensure that proper precautions are followed, do not cover the light with anything while the power is connected.
9. All our lights are made for 110V-120V, 60 Hz. 40 Watt maximum bulb holders.
10. All our LED and RGB products are non-dimmable **unless stated** and should not be connected to a dimmer.
11. RGB and LED products are not covered under any warranty but the company is committed to replace any parts within 2 years of purchase.

# Safety Instructions

Your safety is our priority. Please follow these safety instructions promptly.

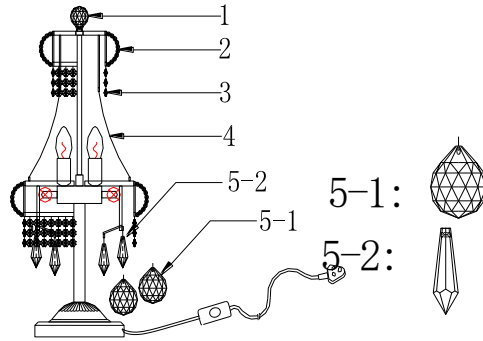
1. Only certified electricians should install this light.
2. Do not over load the bulb holders with more than 40 Watt bulbs.
3. Make sure all connecting parts are screwed properly and all screws are tightened before installation and crystals are added.
4. Do not install this light on wet ceilings.
5. If the light is to be sprayed for cleaning, make sure to turn off the power.
6. Do not turn on the light when the light is wet.
7. Only use spare parts for the light that came with it.
8. Make sure your ceiling can take the weight of the light.
9. Make sure the light is securely installed on the ceiling
10. Make sure your circuit is strong enough and can supply the wattage that the light pulls.
11. Please use all dimmable components and make sure before connecting this light to a dimmer.
12. Avoid children coming into contact with the light.
13. Do not connect any other light or anything else to this light.
14. In order to prevent damages, please check surfaces for wires before drilling holes.
15. System should not be enlarged with additional lamps.
16. Ensure that all electrical connections are screwed tightly.
17. The bulbs get hot when turned on. Allow them to cool down before touching
18. Do not place objects on the system ( e.g. For decorative purposes), if they were not delivered with the system
19. Tighten all the hooks of the crystals on the light frame in order to avoid any crystals from falling.

# Parts List



FRAME\*1PCS

# Crystal Parts List



1 40# CRYSTAL BALL 1PCS

2 10# BREAD\*10PCS 114STRIPS

3 14#OCTAGON CRYSTAL\*3PCS 72STRIPS

4 octagon crystal 16#\*2+18#\*1+20#\*1+22#\*1+24#\*1+26#\*1 18strips

5-1:Use this crystal if purchased 1006W24 :22 Pcs



5-2:Use this crystal if purchased 1006W401-24 :38 Pcs

