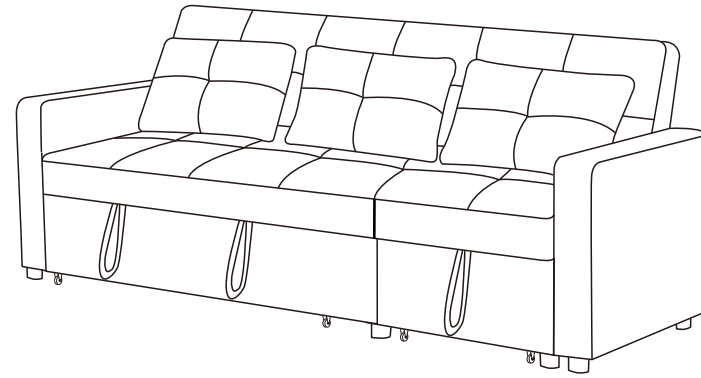
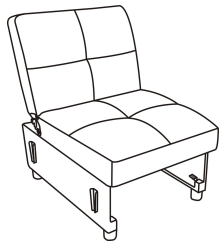


ASSEMBLY INSTRUCTION

ITEM NO.:81350

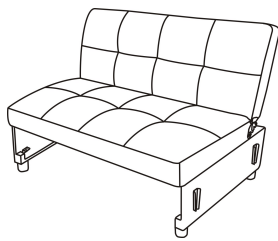


PARTS LIST



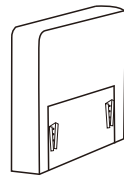
A

x1



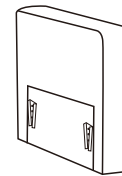
B

x1



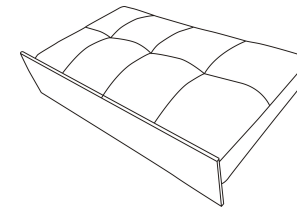
C

x1



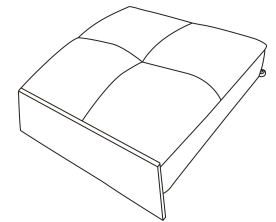
D

x1



E

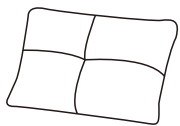
x1



F

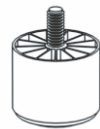
x1

HARDWARE LIST



G

x3



1

x12



2

x16



3

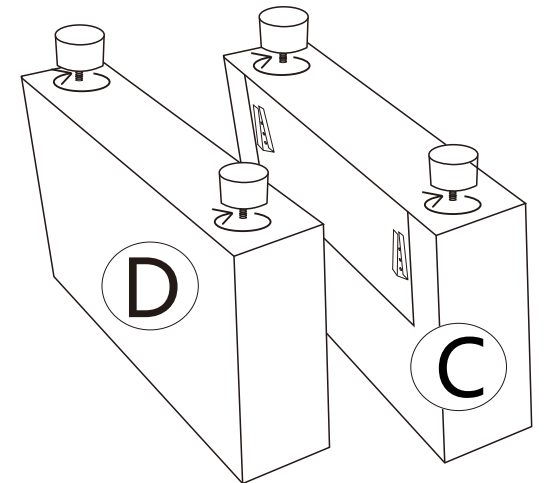
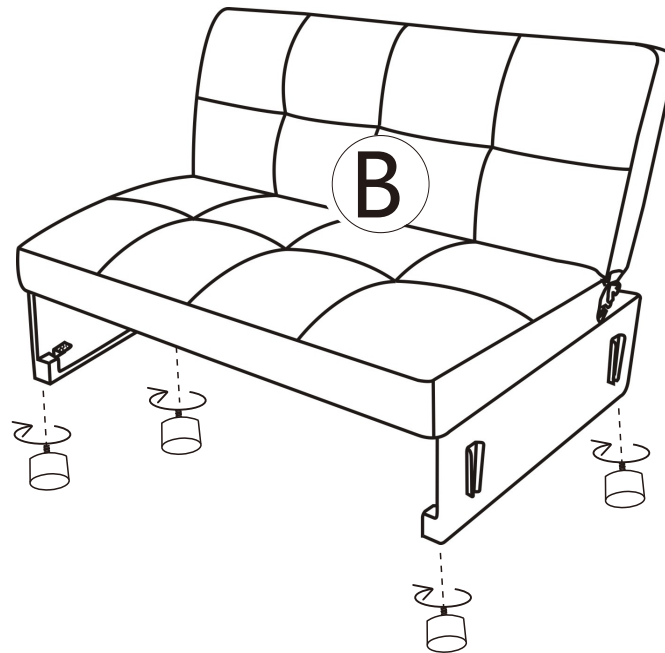
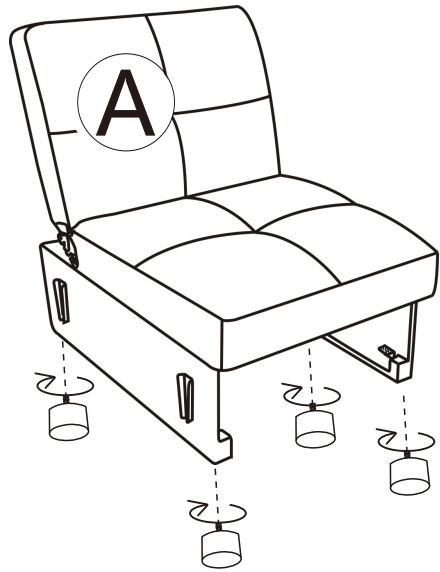
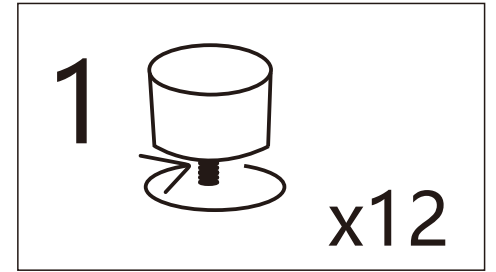
x8



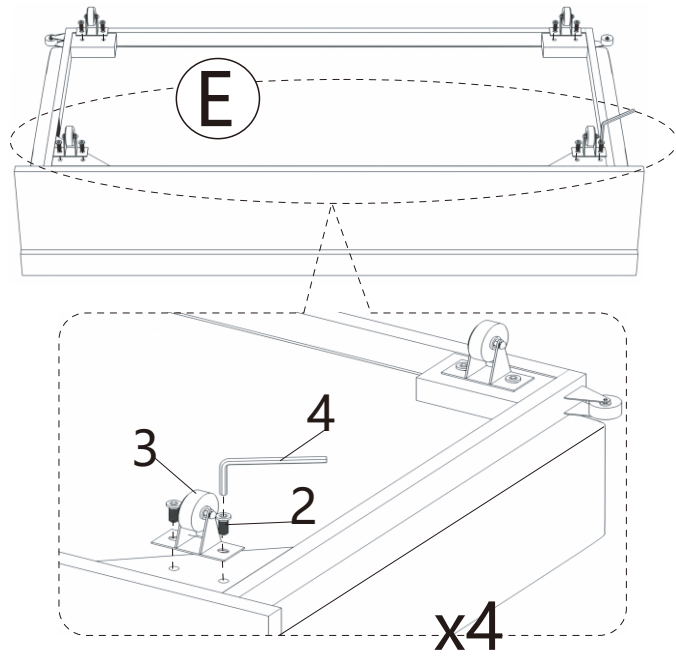
4

x1

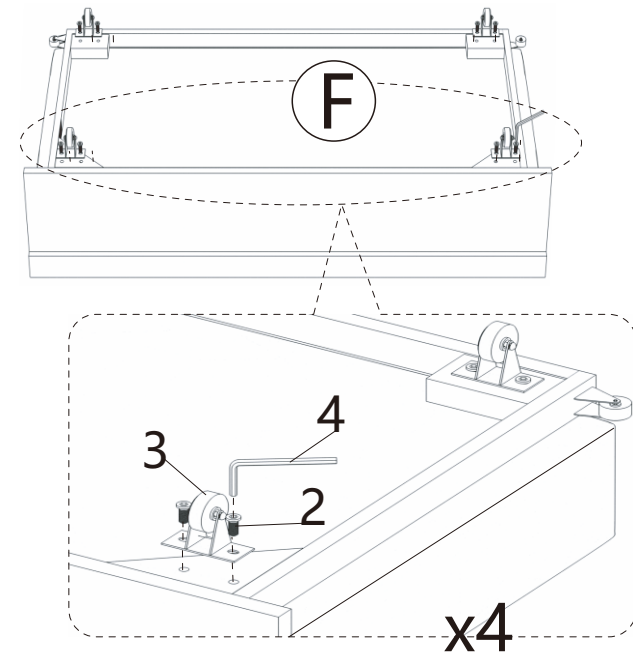
Step 1



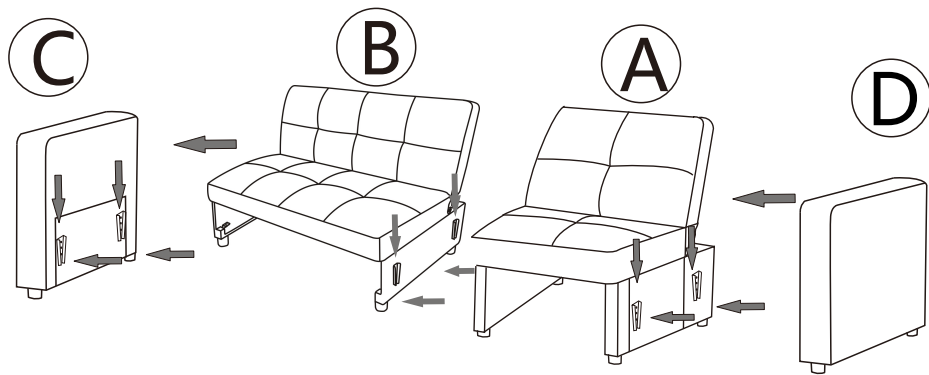
Step2



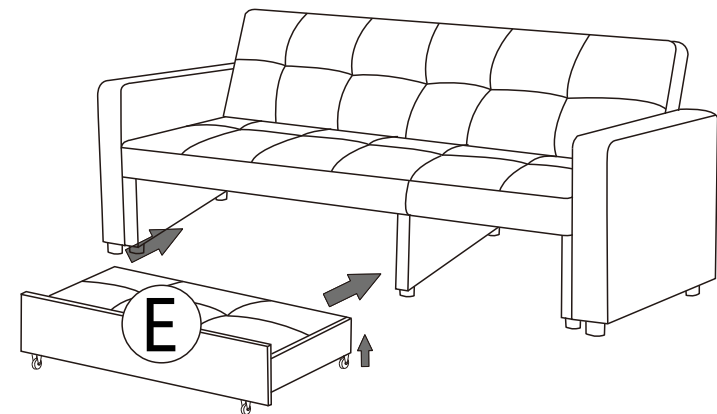
Step3



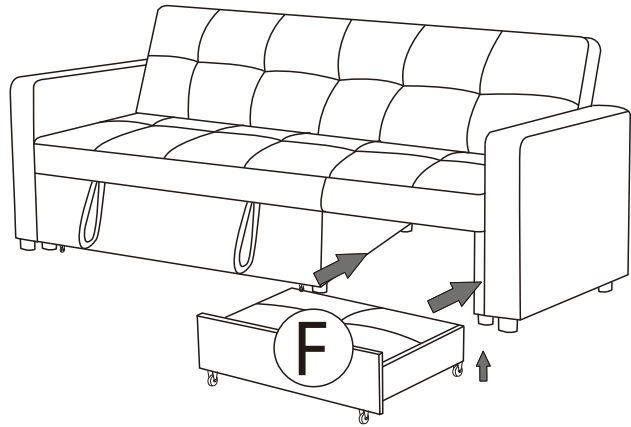
Step4



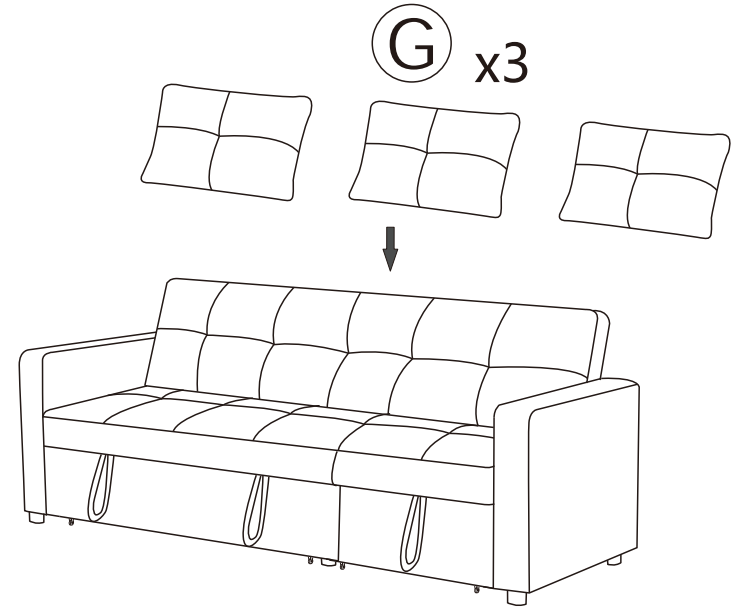
Step5



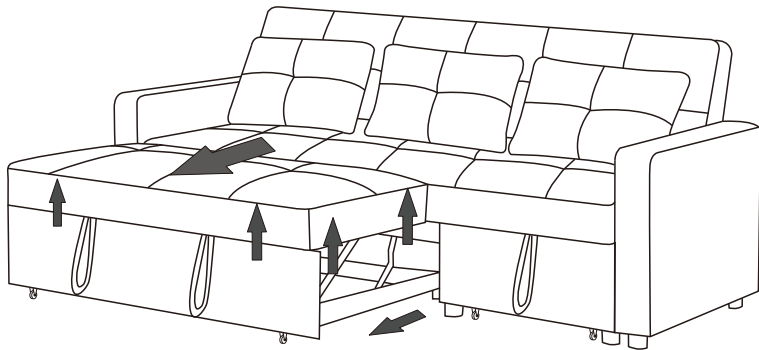
Step6



Step7

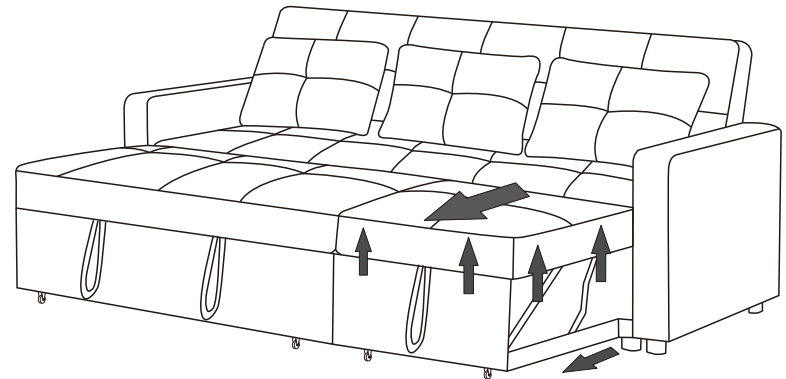


Step8



Up pull then
Forward pumping

Step9



Up pull then
Forward pumping

Step 10

