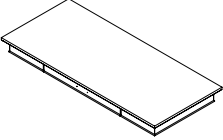
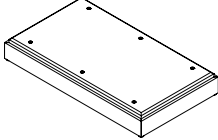
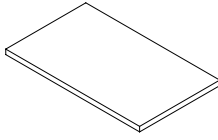
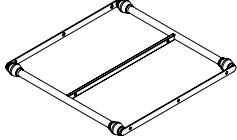
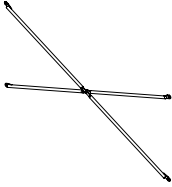
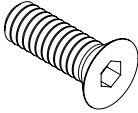
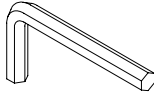

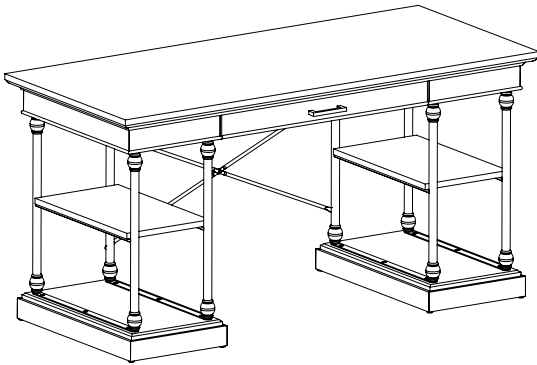


ASSEMBLY INSTRUCTION

DESK

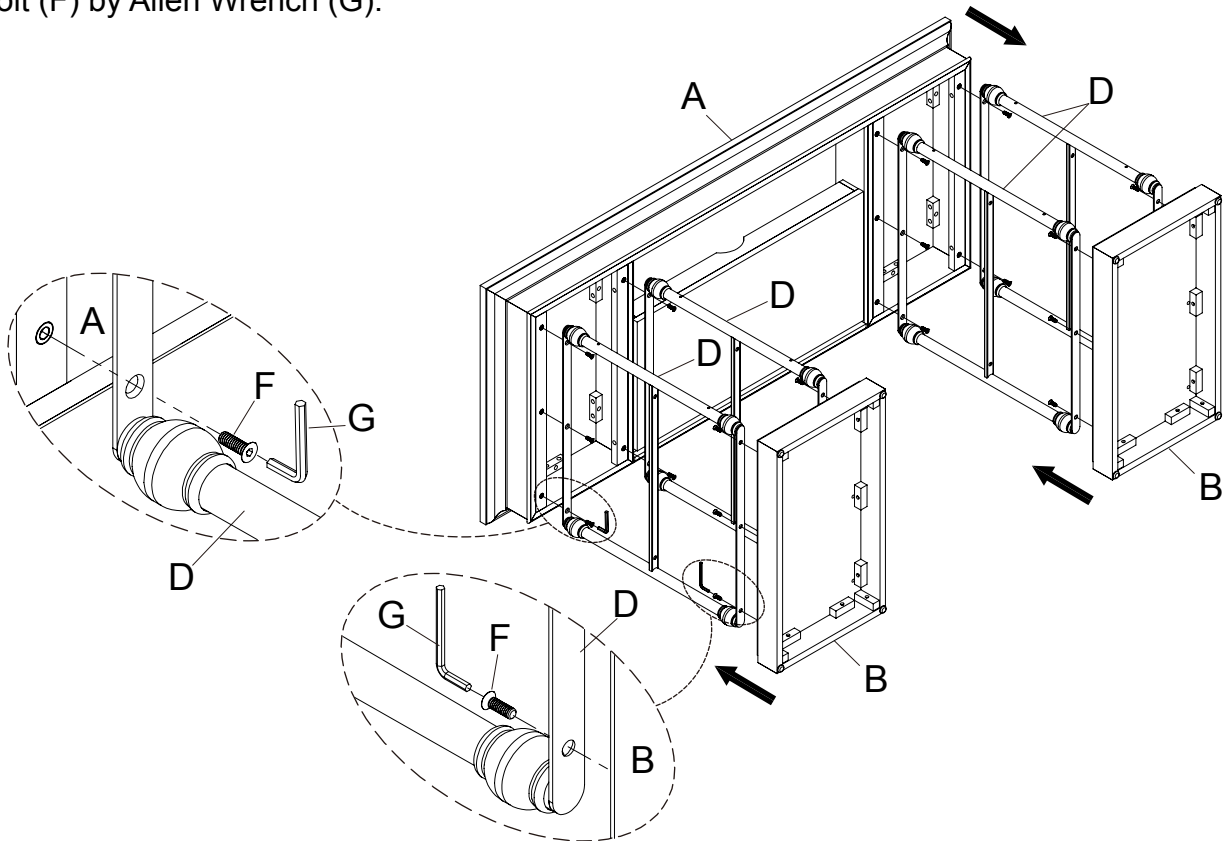
A Top Panel	B Bottom Panel	C Shelf	D Side Frame
			
1PC	2PCS	2PCS	4PCS
E Cross Bar	F Bolt 1/4"*3/4"	G Allen Wrench 4MM	H Screwdriver (Not Provided)
			
1PC	36PCS	1PC	1PC



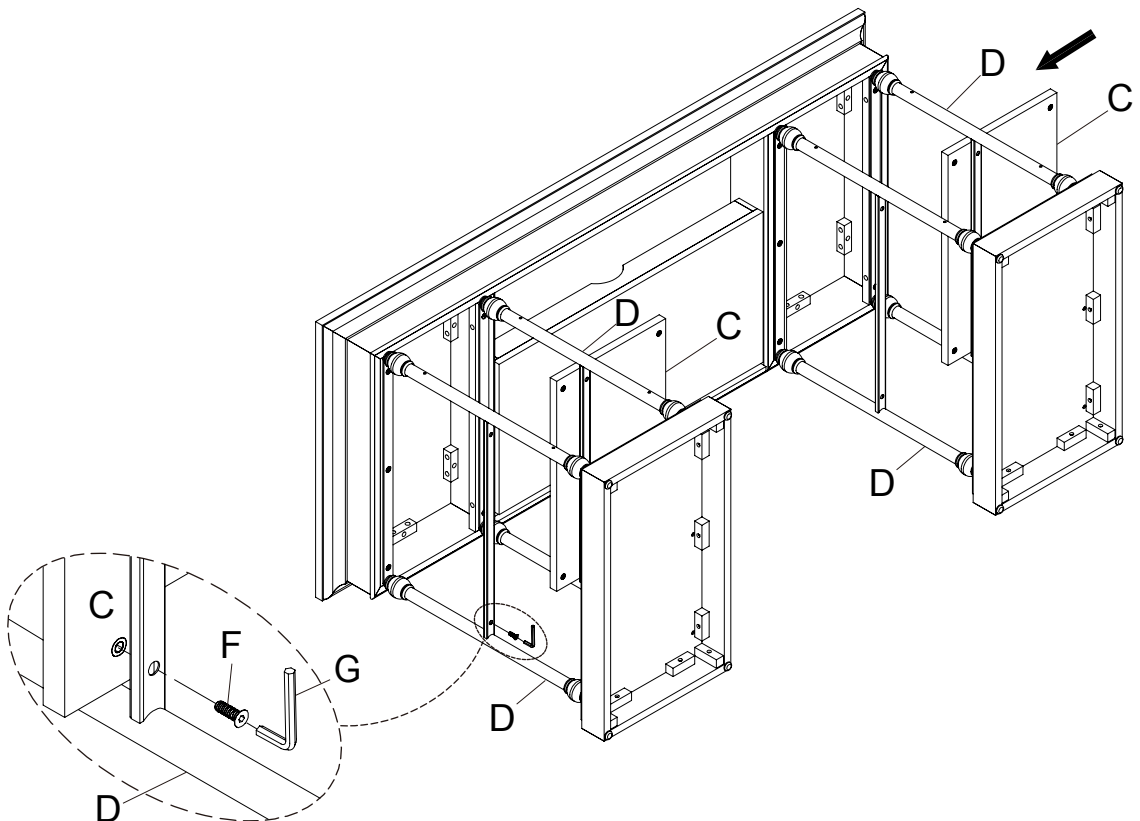
This page lists all the contents included in the box. Please take the time to identify the hardware as well as the individual components to this product. As you unpack and prepare for assembly, place the contents on a carpeted or padded area to protect them from damage.

***Do not tighten screws & bolts until the entire unit is completely assembled.

- 1** Assembly the Top Panel (A) and Bottom Panel (B) onto the Side Frame (D), then using the Bolt (F) by Allen Wrench (G).

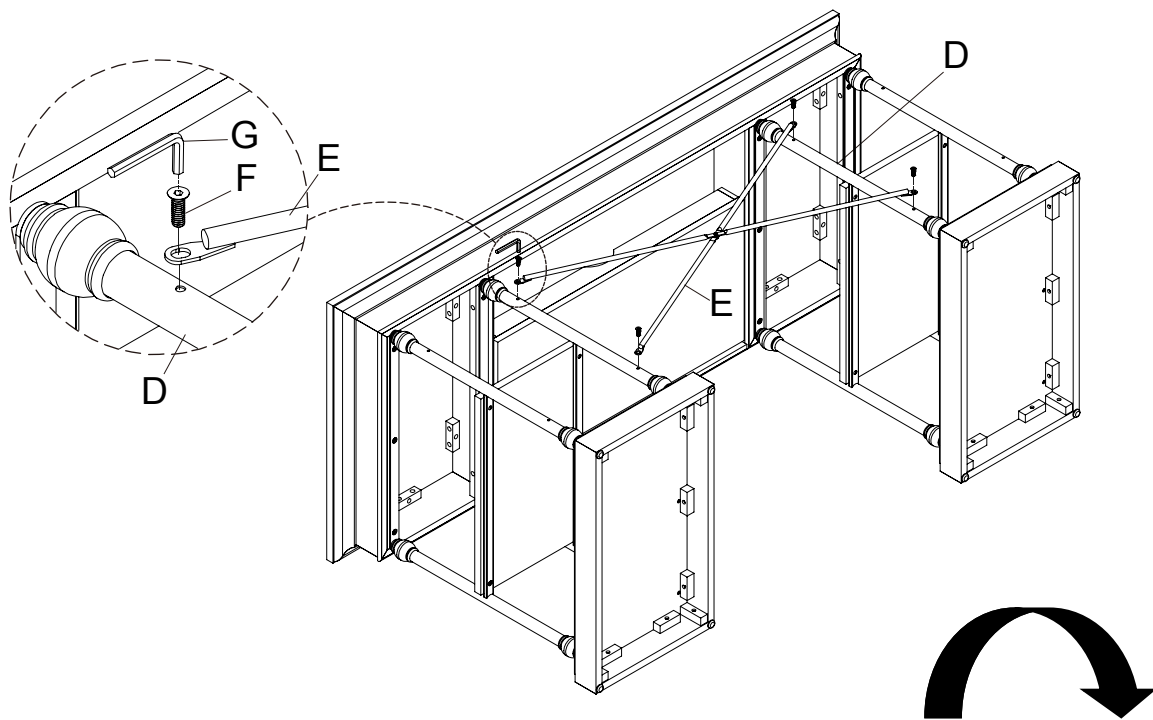


- 2** Assembly the Shelf (C) onto the Side Frame (D) and using the Bolt (F) by Allen Wrench (G).

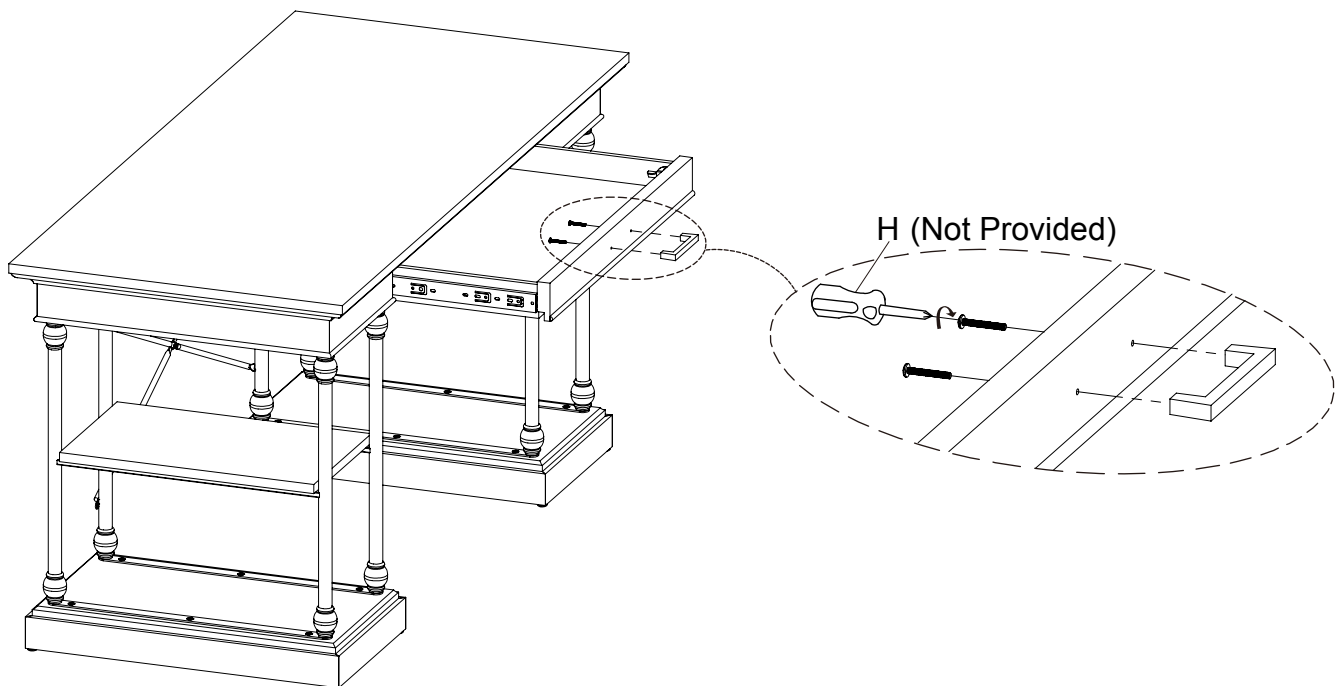


3

Assembly the Cross Bar (E) onto the Side Frame (D) and using the Bolt (F) by Allen Wrench (G).

**4**

Remove the handle with bolt from the inside of the drawer and then attach the handle to the drawer using bolt by Screwdriver (H).



Cleaning & Care

Treat surface with care. Surface is resistant to scratches but is not scratch resistant. Clean surfaces with a dry or damp soft cloth. Do not use abrasive cleaners. Hardware may loosen over time. Periodically check that all connections are tight.