
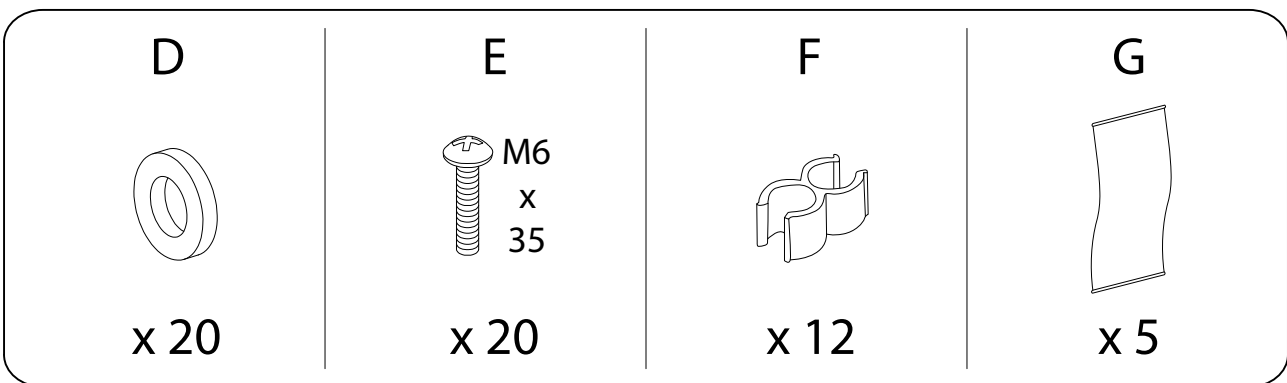
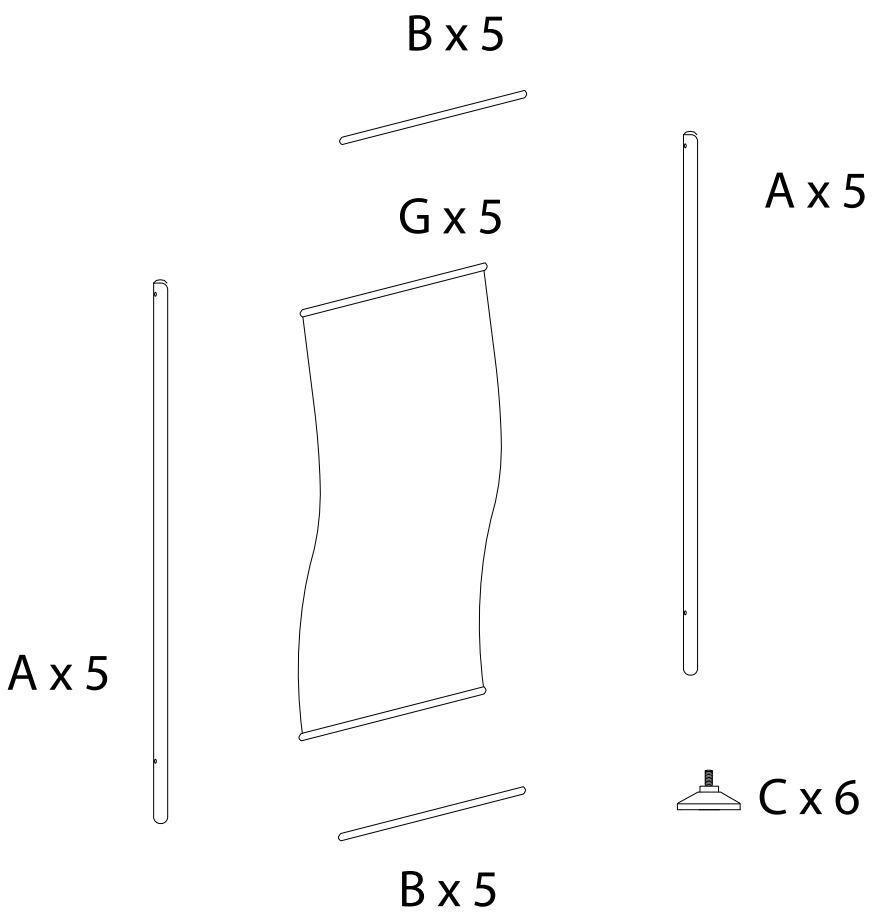
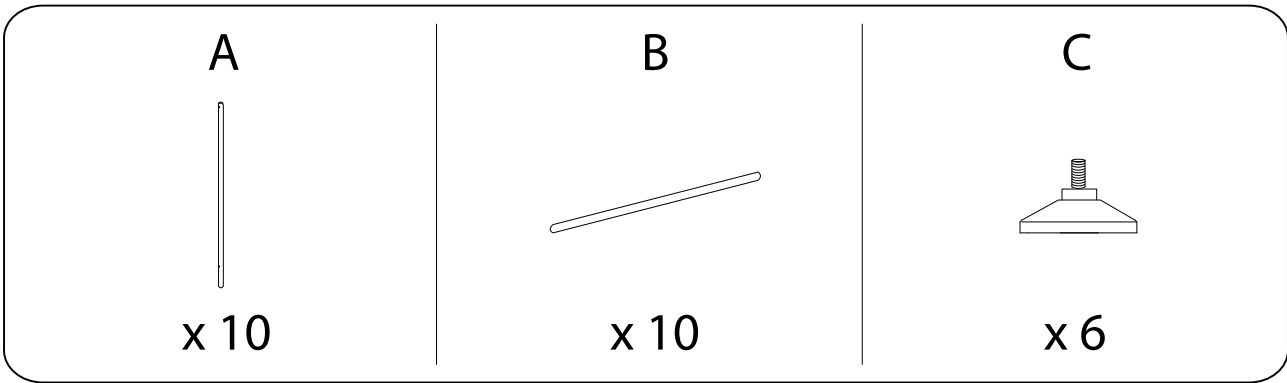
	<p>20'</p>
		
		<p>1</p>



1 x 10

B

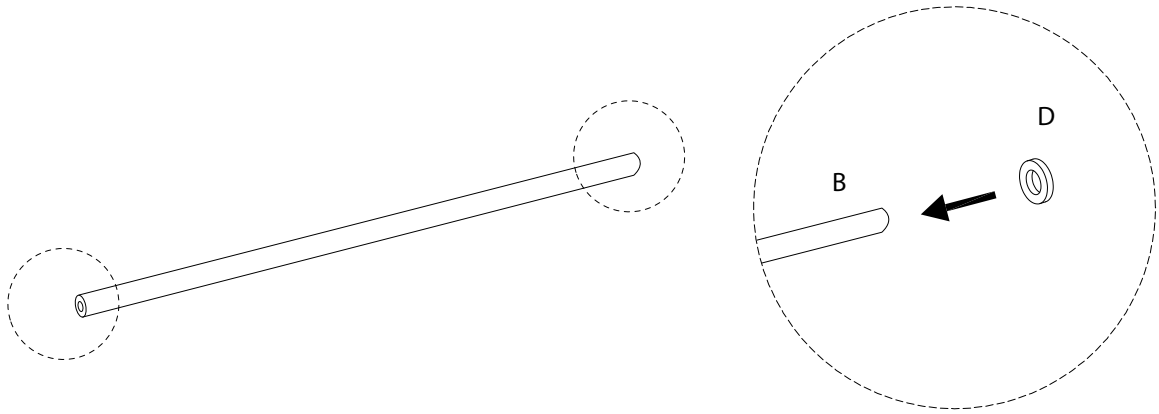


x 1

D



x 2



2 x 5

A

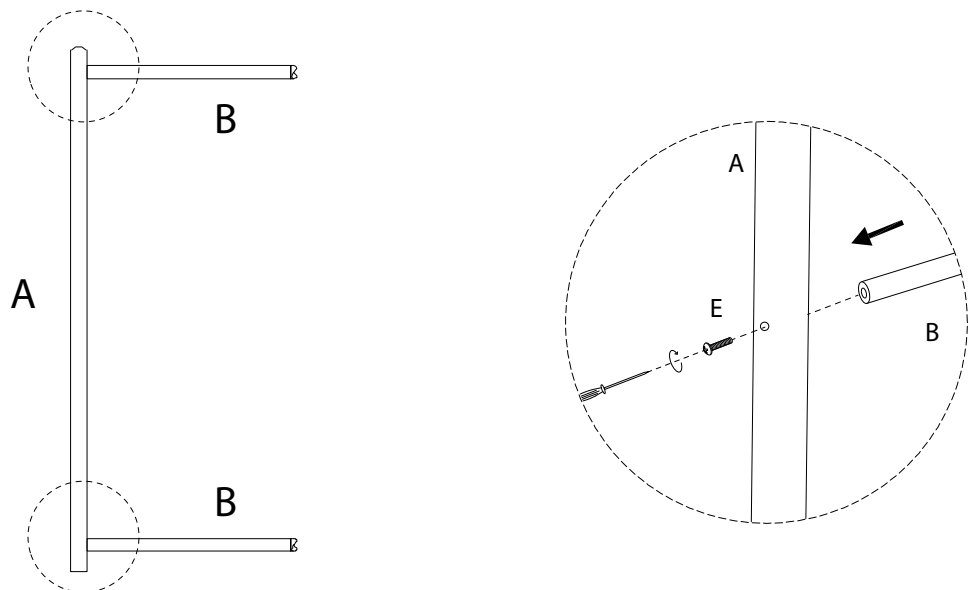


x 1

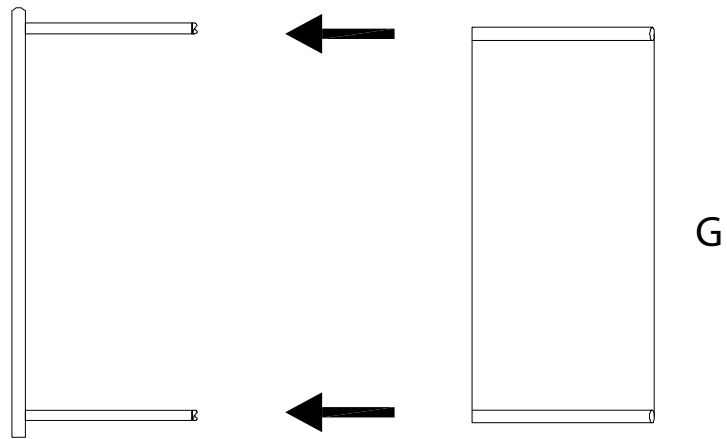
E



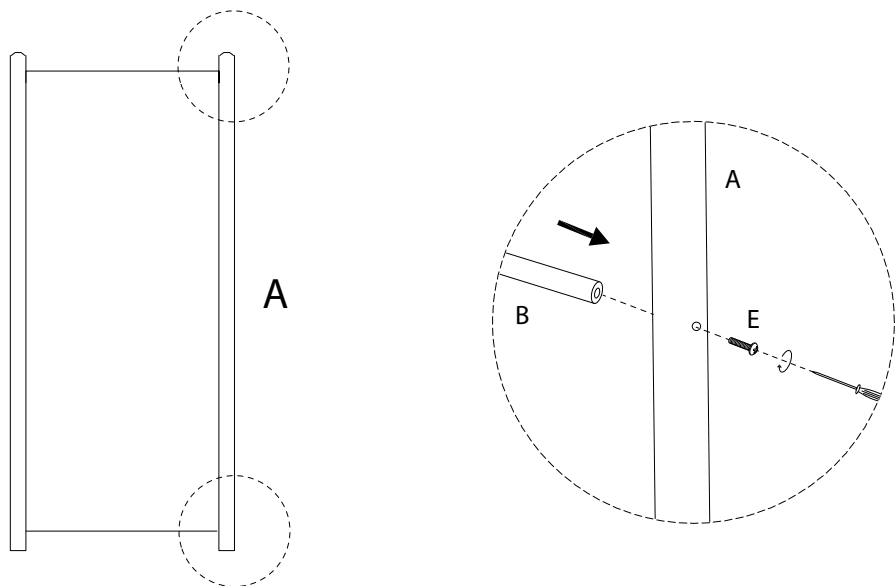
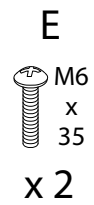
x 2



3 x 5



4 x 5

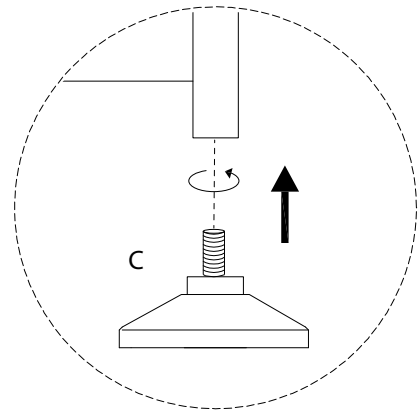
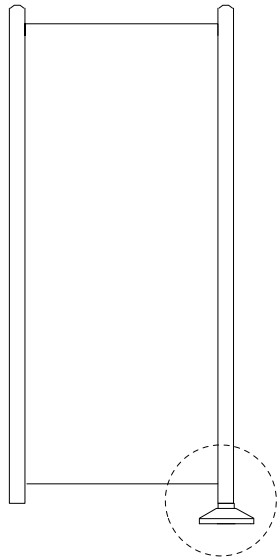


5 x 4

C



x 1

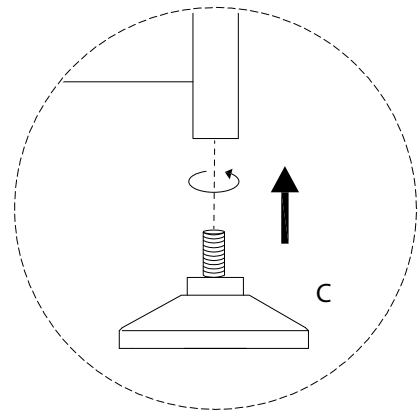
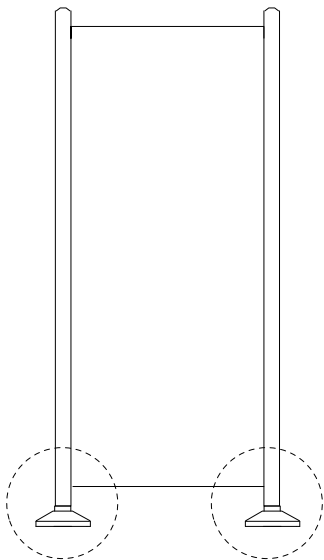


6

C



x 2



7

F



x 12

