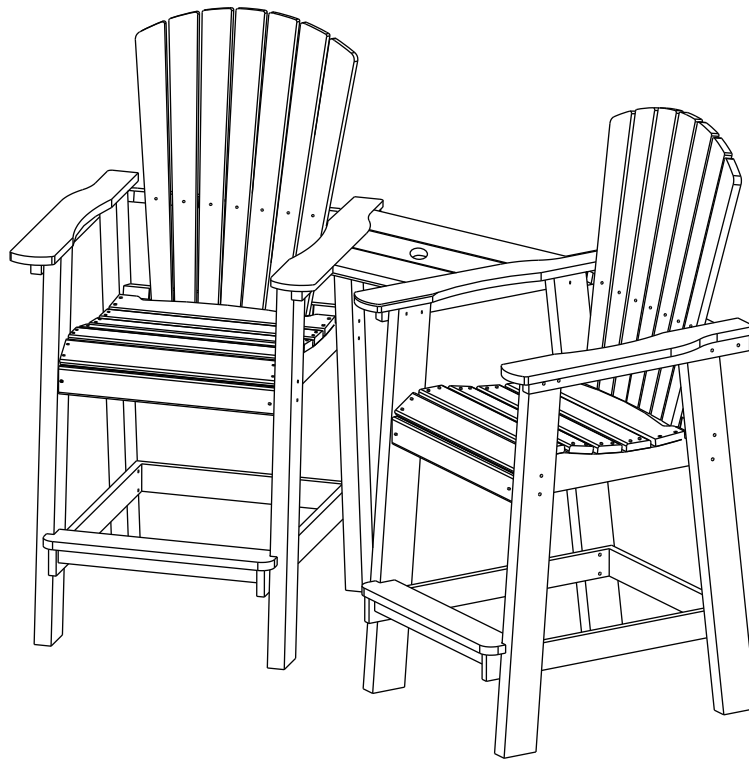


BAR CHAIR



Assembly Consideration

Do not overtighten screws(Screw in all screws before tighten them)

Follow Assembly Instructions Step by Step

Do not discard original packaging if your received items damaged or with missing parts

Count all Hardware parts before starting assembly

Assemble items in a clear area and away from clutter to avoid misplacing assembly items



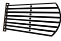








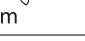












Safety Precautions

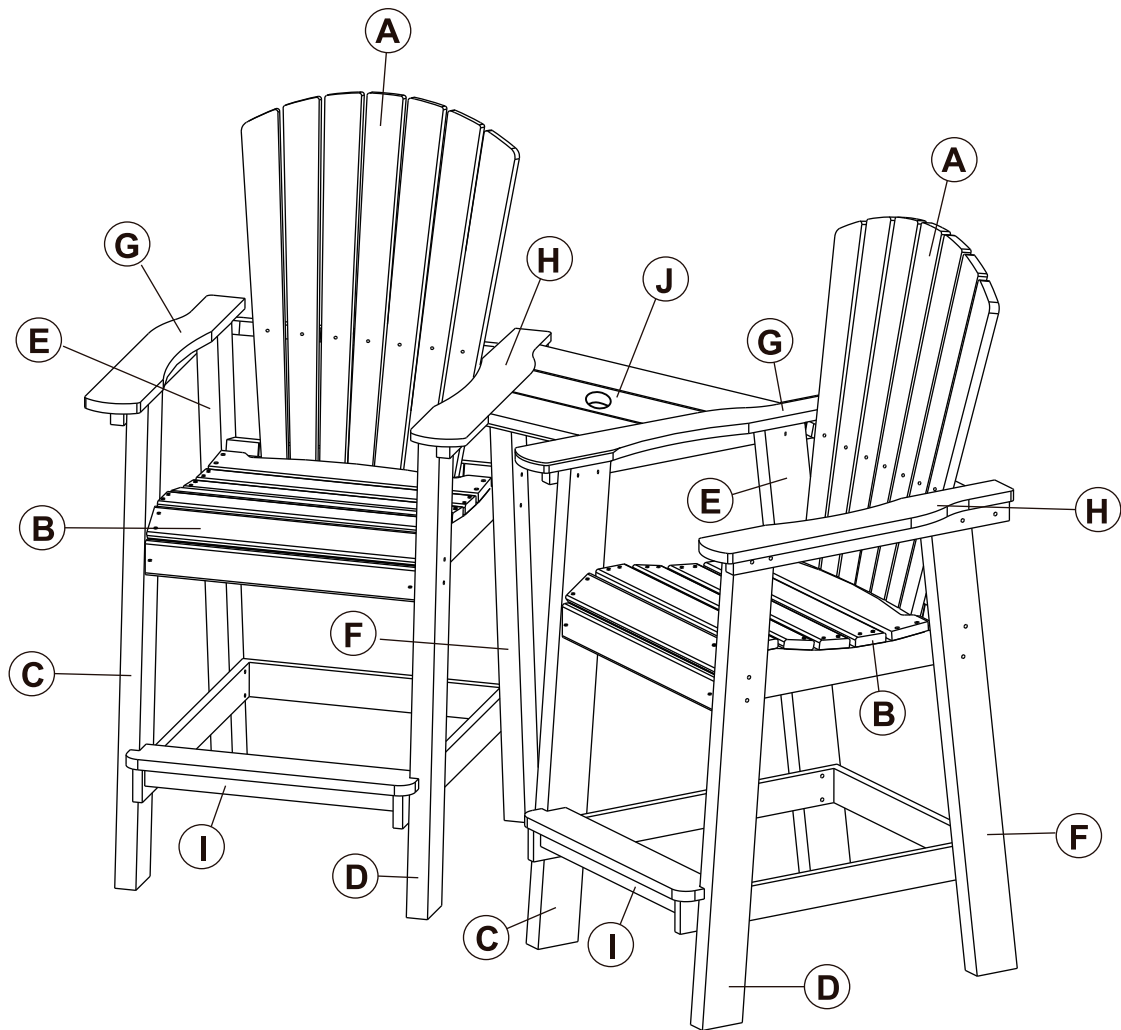
Avoid Using strong powertools to help prevent parts from cracking when assembly



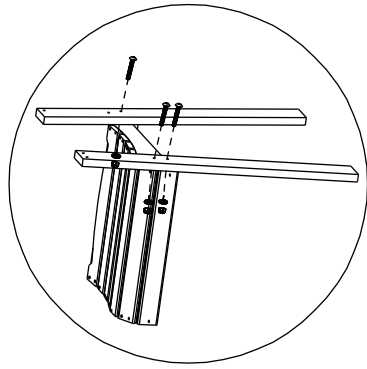
Customer Service

Support@torvausa.com

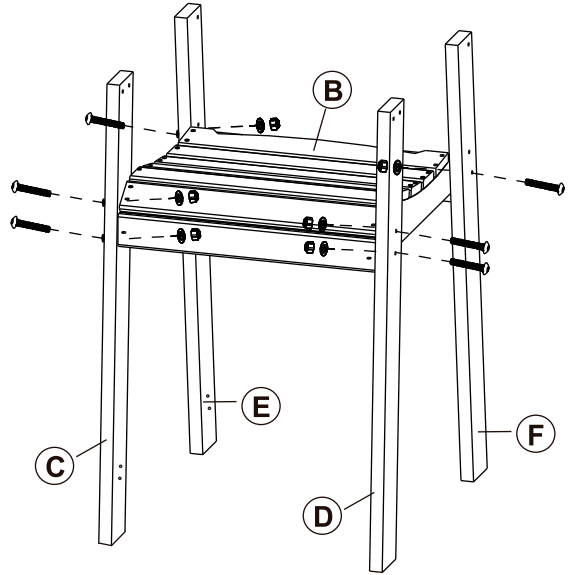
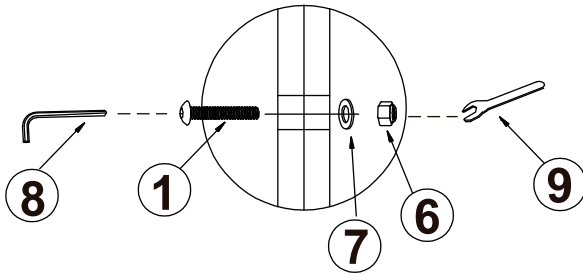
A		2pc	1	M6 × 75 mm 	24pc
B		2pc	2	M6 × 80 mm 	4pc
C		2pc	3	M6 × 60 mm 	4pc
D		2pc	4	M6 × 50 mm 	16pc
E		2pc	5	M6 × 30 mm 	4pc
F		2pc	6		24pc
G		2pc	7		24pc
H		2pc	8		1pc
I		2pc	9		1pc
J		1pc	10		1pc
			11		1pc
			12	 Screw Driver Bit	1pc



STEP 1

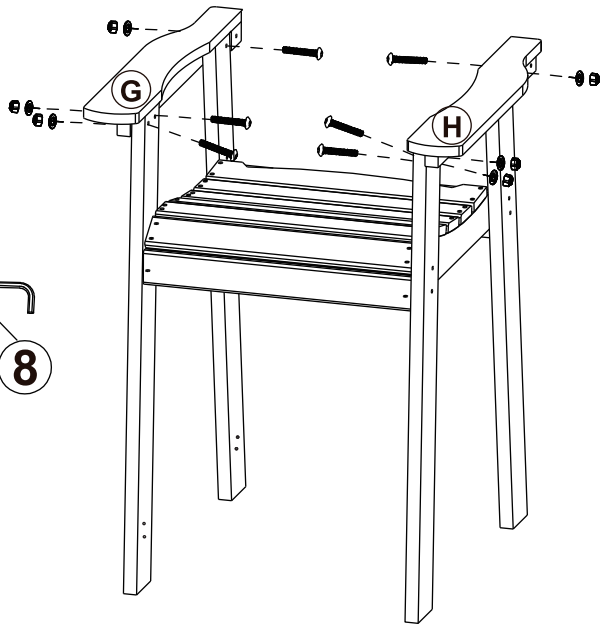
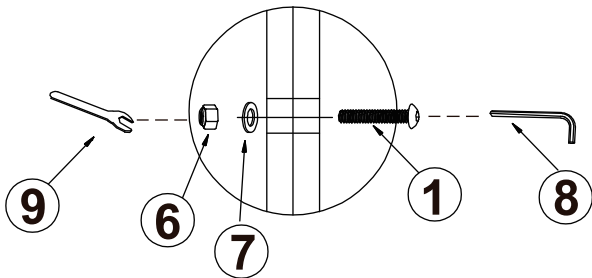


! Side-down placement will make installation easier.



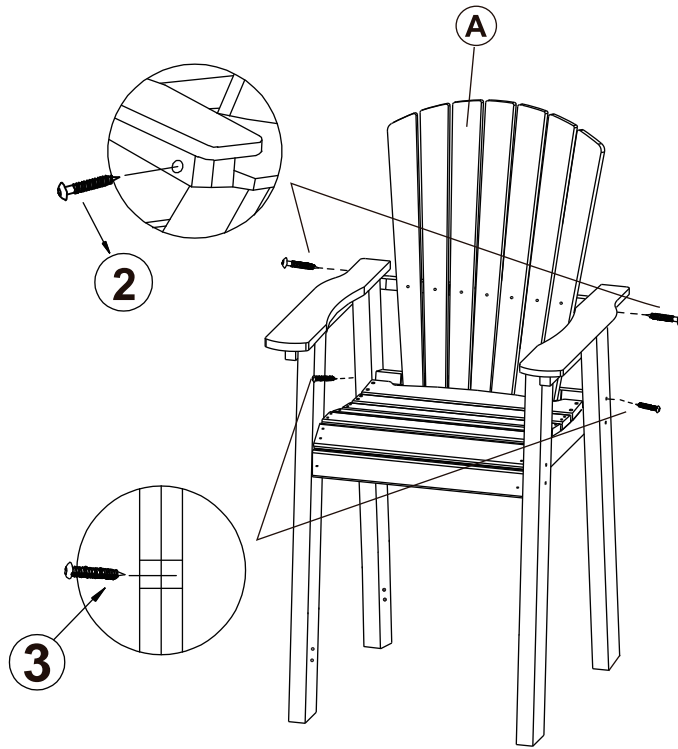
- ① ×6
- ⑥ ×6
- ⑦ ×6

STEP 2



- ① ×6
- ⑥ ×6
- ⑦ ×6

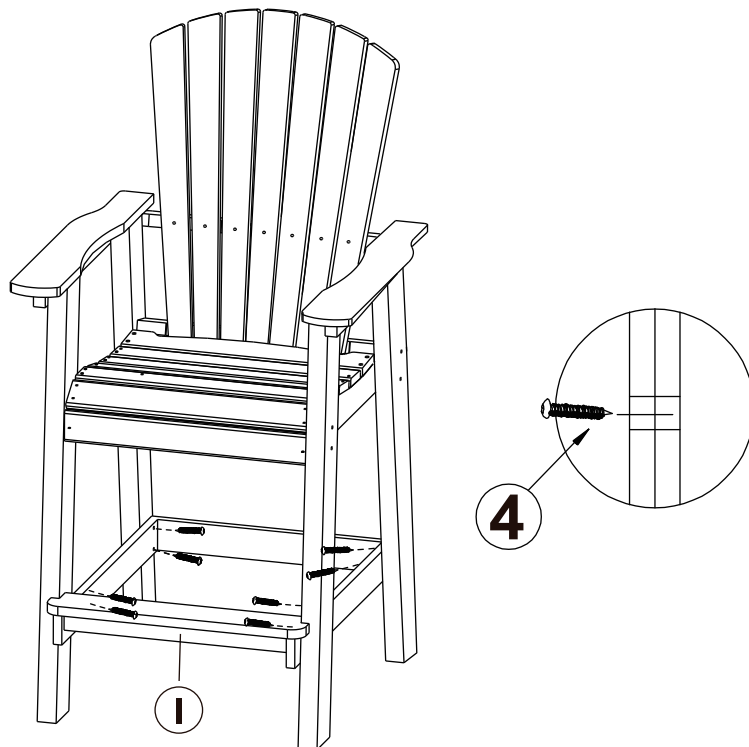
STEP 3



② x2

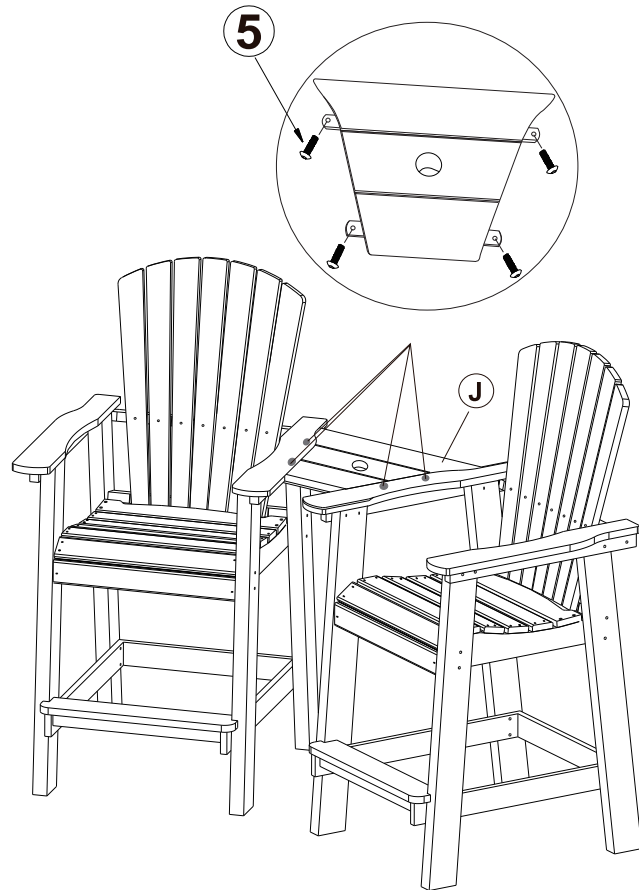
③ x2

STEP 4



④ x8

STEP 5



5 x4

STEP 6

