

ASSEMBLY INSTRUCTIONS



Fine Furniture for every stage of life

***Counter Height
Dining Table Base***

ASSEMBLY INSTRUCTIONS

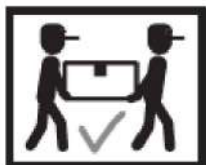
ASSEMBLY TIPS:

1. Remove hardware from box and sort by size.
2. Please check to see that all hardware and parts are present prior to start of assembly.
3. Please follow attached instructions in the same sequence as numbered to assure fast & easy assembly.



WARNING!

1. Don't attempt to repair or modify parts that are broken or defective. Please contact the store immediately.
2. This product is for home use only and not intended for commercial establishments.

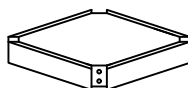


ASSEMBLY TIME

15 MINUTES

PARTS IDENTIFICATION

A LEG SUPPORT FRAME



1PC

B LEG



4PCS

C DISC WITH BOLT



4SETS

HARDWARE IDENTIFICATION

1 BOLT
(M8 x 60MM -RBW)



8PCS

2 LOCK WASHER
(M8 x 13MM - RBW)



8PCS

3 FLAT WASHER
(M8 x 22MM - RBW)



8PCS

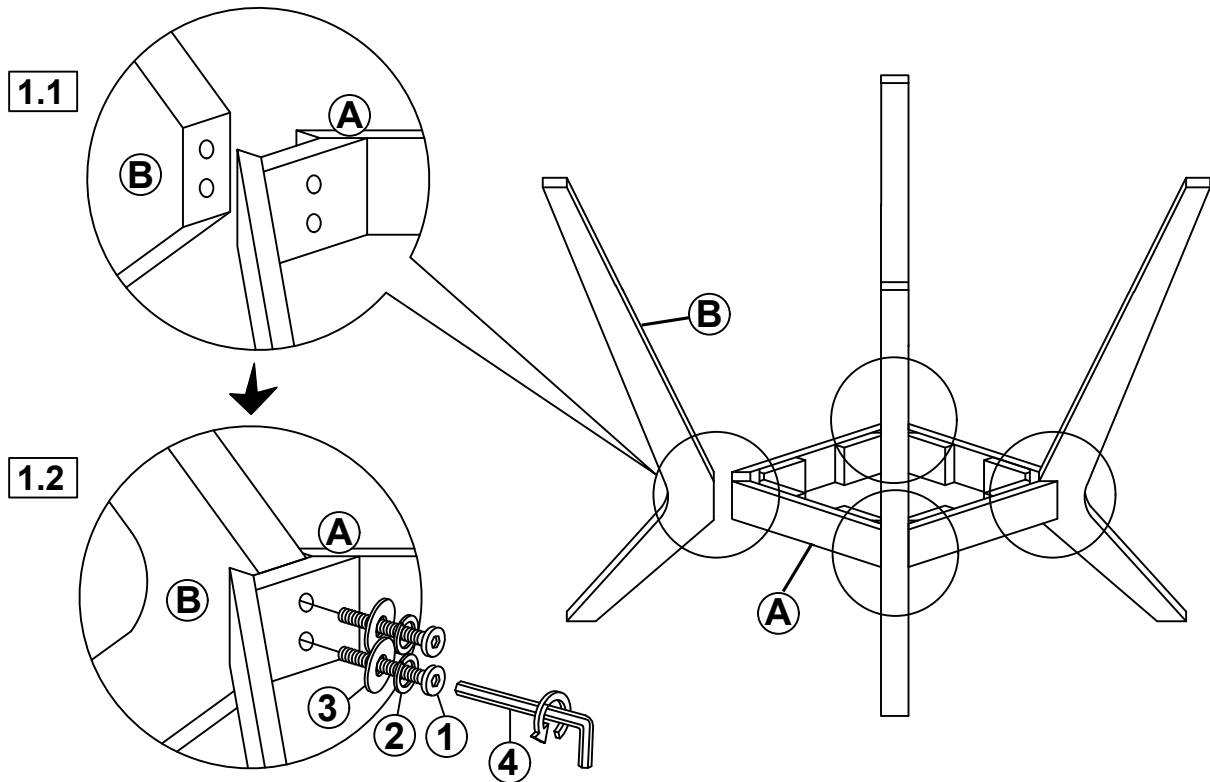
4 ALLEN WRENCH
(M5 x 65MM -BLK)



1PC

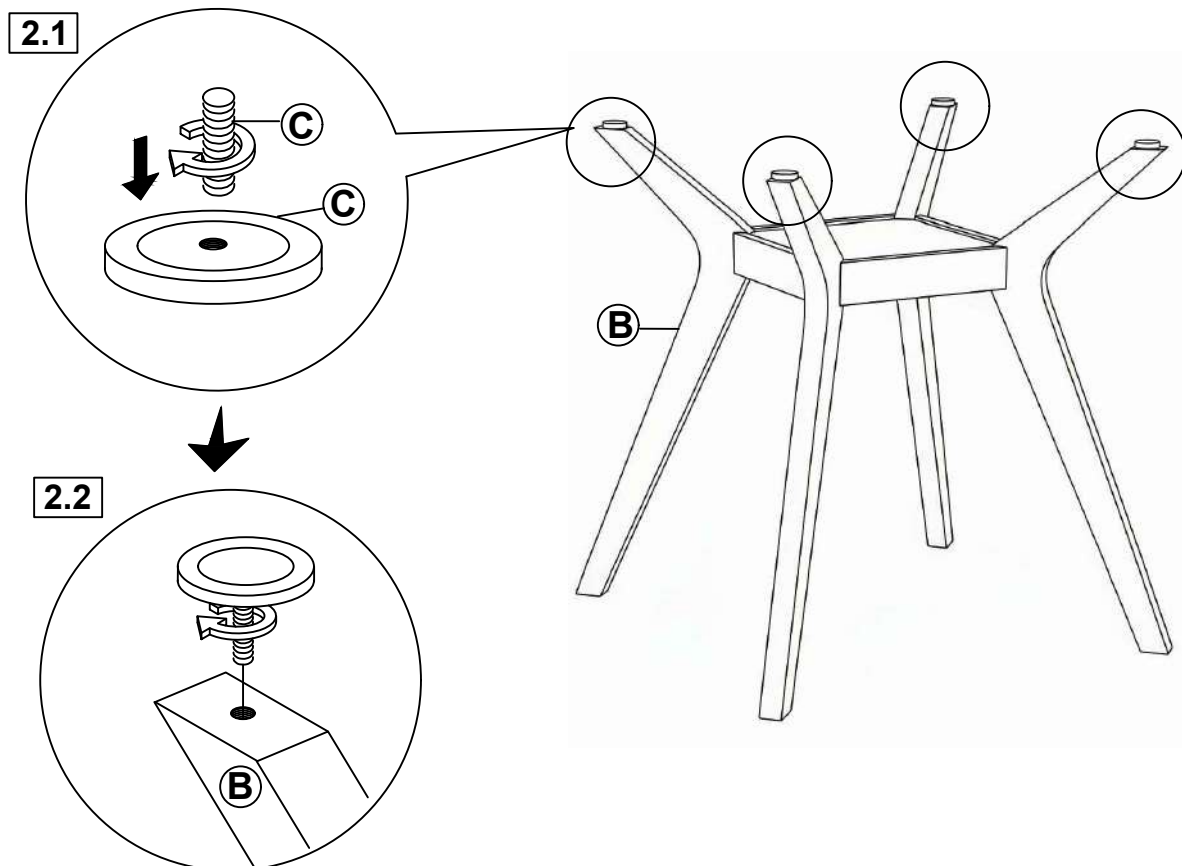
ASSEMBLY INSTRUCTIONS

STEP 1



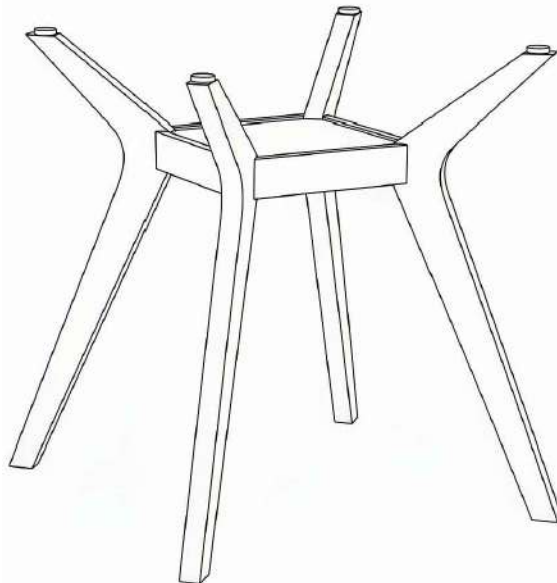
BOTTOM VIEW

STEP 2



ASSEMBLY INSTRUCTIONS

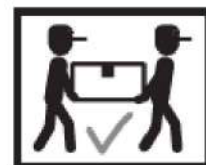
STEP 3

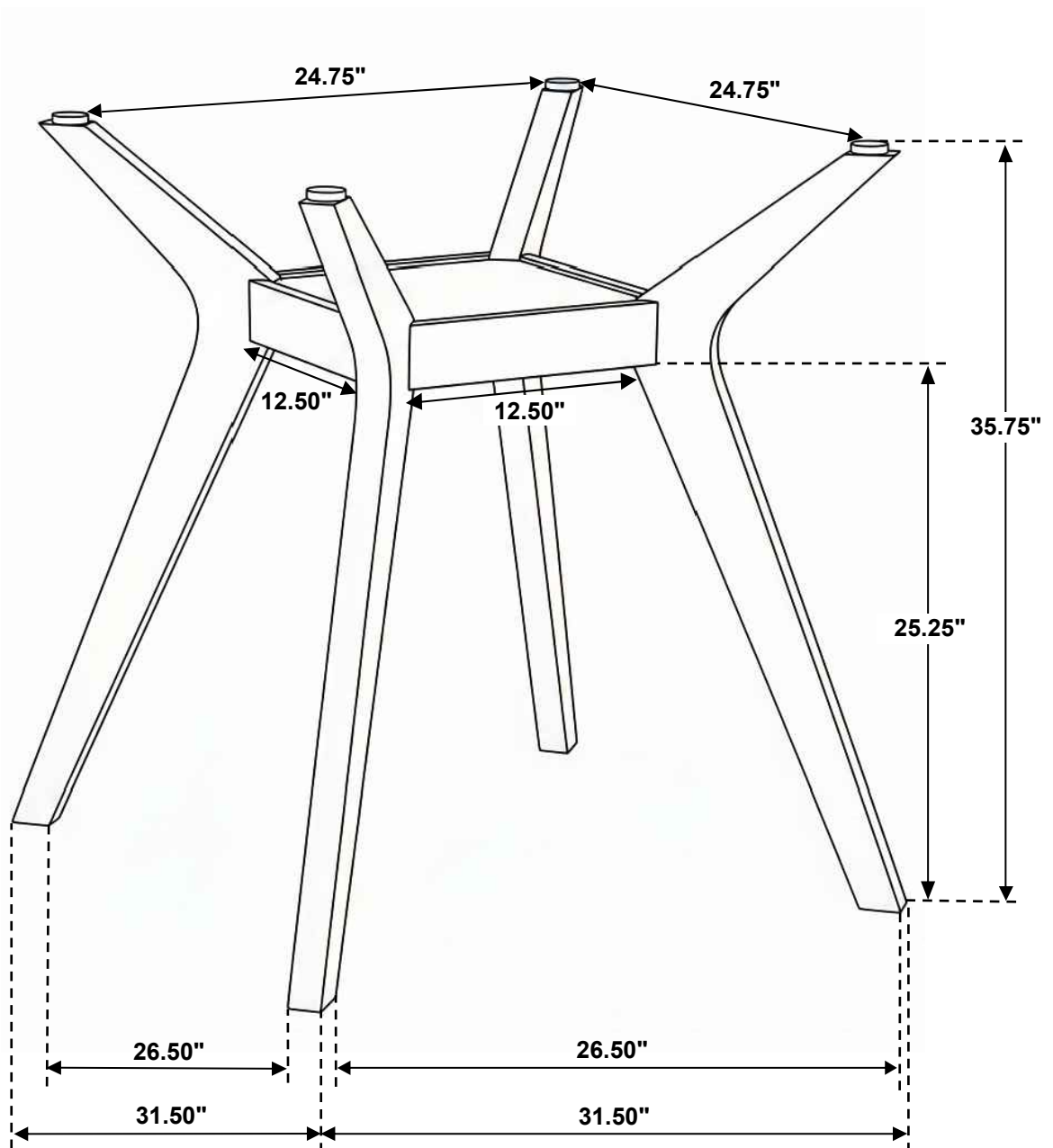


STEP 4 COMPLETE



NOTE : GLASS TOP NOT INCLUDED





Note: Dimension tolerance $\pm 5\%$