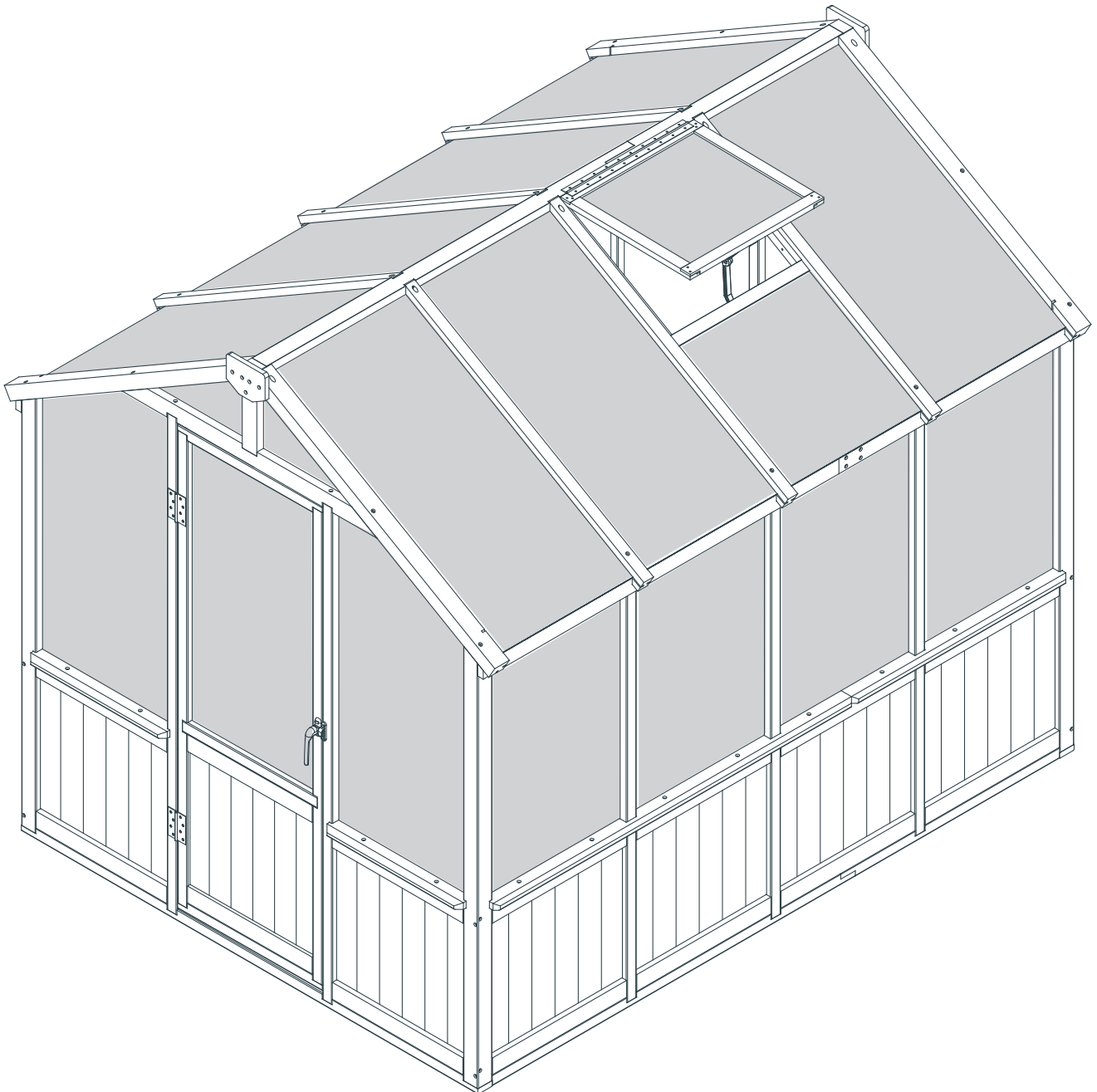




VEIKOUS

Cedar Poly Greenhouse



www.veikous.com



customerservice@veikous.com

STOP

**MISSING A PART?
CALL US BEFORE GOING
BACK TO THE STORE**

The store where you made your purchase
Does not stock parts for this item.

If you have assembly questions or you are missing or
have damaged parts, please call

1-858-324-1911

(Mon - Sun, 10:00 am to 7:00 pm EST)

you can also e-mail customerservice@veikous.com

or visit www.veikous.com

Please prefer email contact. Due to busy lines,
there may be a wait for calls to be answered.

**Please have the following information ready when you contact us,
so we can assist you promptly.**

- Order number or PO number (you can find the info on your invoice, receipt or platform account).
- The model number of the product (printed on the package box).
- Description of the part from the parts list.

-
- Read entire assembly manual, paying special attention to the important tips and safety information .
 - Ensure there are no missing pieces by first separating and identifying all parts.
 - Make sure to check packing material for small parts that may have fallen out during shipment.
 - Structures are not intended for public use. The Company does not warranty any of its residential structures subjected to commercial use such as: Daycare, Preschool, Nursery School, Recreational Park, or any similar Commercial Application.
 - This manual contains helpful information concerning assembly preparation, installation procedure and required maintenance.
 - Always keep safety in mind as your structure is being built.
 - Keep these instructions for future reference.

Structure Location Preparation

Note: It is critically important you start with square, solid and level base to attach your Greenhouse.

The hardware to mount the structure permanently will need to be purchased separately at your local hardware store.

Before preparing your surface for the structure please double check for possibility of any underground utilities such as gas, telephone, cable or sprinkler lines.

Choose a level piece of land with good drainage and lots of sunlight. Ensure it is easy to get around for essential cleaning and maintenance.

Remove any sod, grass, weeds, etc. from the area. Start with a packed and level dirt floor.

The recommended area for site preparation is 96.7" L x 74" W (2.456m L x 1.88m W) for this structure.

Refer to your local building and city codes, ordinances, neighbourhood covenants, or height restrictions regarding this type of structure for guidance on acceptable installation requirements.

Following are some examples of how to prepare the location for the structure.

If you are using a soft, natural base, the following will be needed:

Sand

Landscape fabric

4 x 4 treated lumber for the base of the structure

Hardware for attaching lumber together

Hardware for mounting the structure to the lumber base

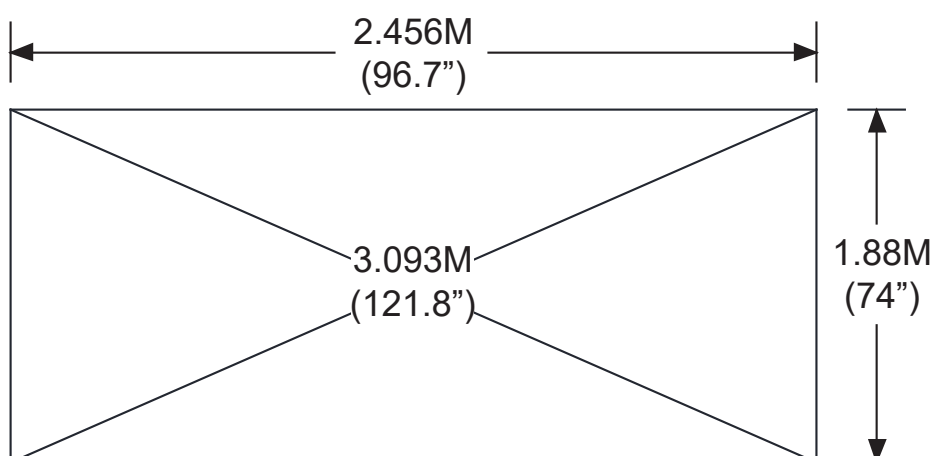
Gravel

Tie down kit

If you are using a concrete foundation, the following will be needed:

Hardware for mounting the structure to the concrete base

Use the following dimensions for the concrete foundation.



Wood Parts List



1A (Front Base) 1PC



1B (Back Base) 1PC



2 (Left Post) 2PCS



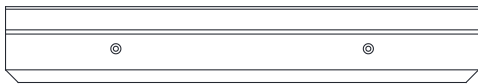
3 (Right Post) 2PCS



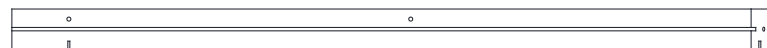
4A (Left Door Post) 1PC



4B (Right Door Post) 1PC



5 (Front Wall Sill) 2PCS



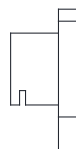
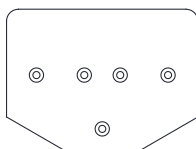
6 (Left Roof Rafter) 2PCS



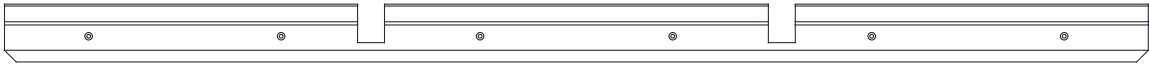
7 (Right Roof Rafter) 2PCS



8 (Gable Beam) 2PCS



9 (Peak Spacer) 2PCS



10 (Back Wall Sill) 1PC



11A (Back Post) 2PCS



12 (Left Side Base) 2PCS



13 (Right Side Base) 2PCS



14 (Side Post) 6PCS



15 (Left Side Wall Sill) 2PCS



16 (Right Side Wall Sill) 2PCS



17 (Left Side Wall Top) 2PCS



18 (Right Side Wall Top) 2PCS



19 (Roof Brace) 2PCS



20A (Left Roof Peak) 1PC



20B (Right Roof Peak) 1PC



22 (Middle Roof Rafter) 4PCS



23 (Window Roof Rafter) 2PCS



24 (Side Vent Block) 2PCS



25 (Bottom Vent Block) 1PC



26-1 (Window-1) 1PC



26-2 (Window-2) 1PC



26-3 (Window-3) 1PC



26-4 (Window-4) 1PC



26-5 (Window-5) 1PC



27-1 (Door-1) 1PC



27-2 (Door-2) 1PC

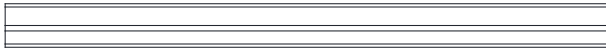


RR (Guide Spacer)
2PCS

This part is used to assist with assembly.



27-3 (Door-3) 1PC



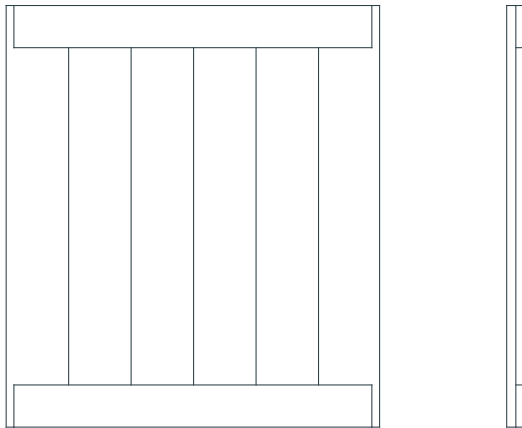
27-4 (Door-4) 1PC



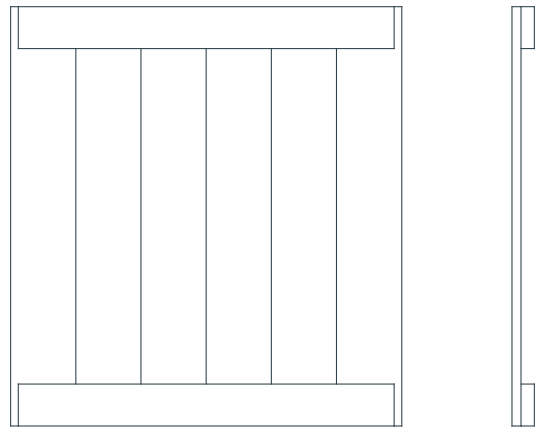
27-5 (Door-5) 1PC



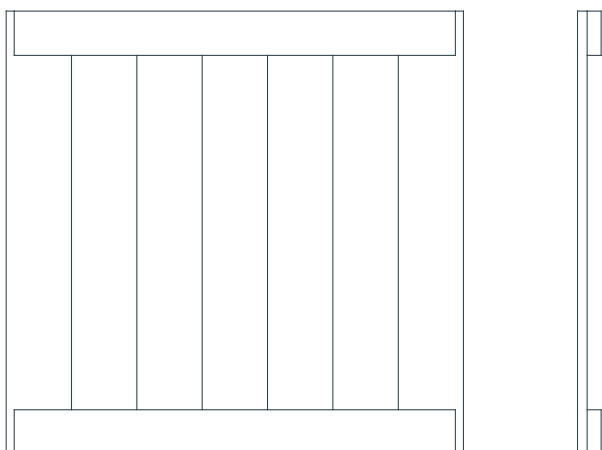
30 (Door Block) 2PCS



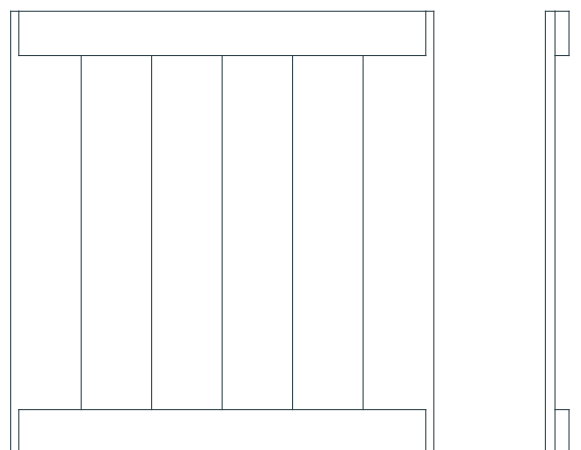
27-6 (Door-6) 1PC



A (Front/Back Wall Panel) 4PCS



B (Back Middle Wall Panel) 1PC

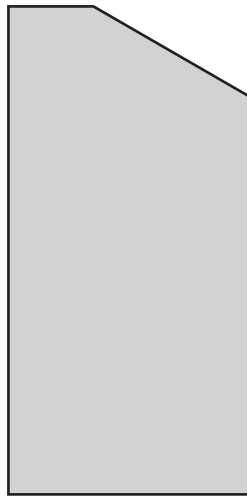


C (Side Wall Panel) 8PCS

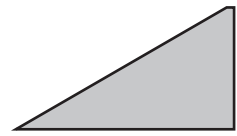
Polycarbonate Board List



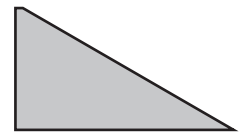
D 2PCS



D1 2PCS



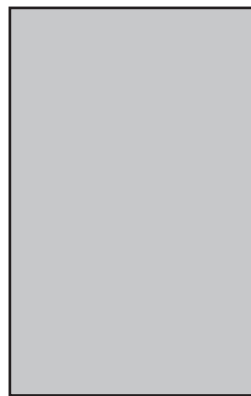
E 2PCS



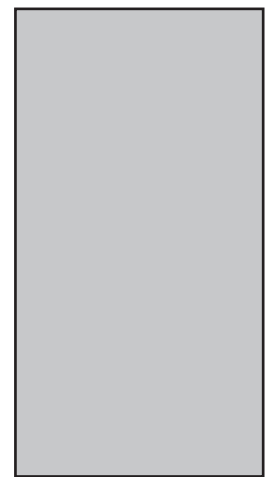
E1 2PCS



F 1PC



G 8PCS



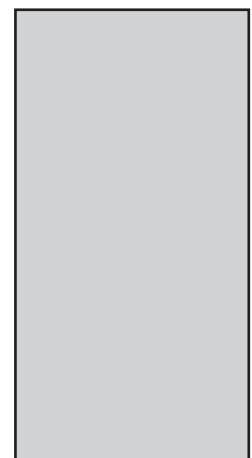
H 7PCS



I 1PC



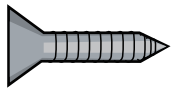
J 1PC



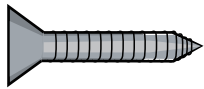
K 1PC

NOTE: When installing the panel, keep the UV-protected side facing out (White plastic film). Remove the plastic film on both sides and lock in place before inserting the panel.

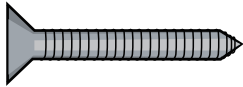
Hardware List



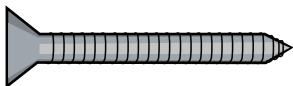
AA(Wood Screw)
90PCS



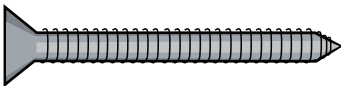
JJ(Wood Screw)
18PCS



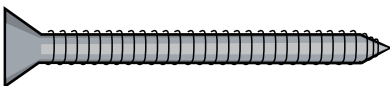
BB(Wood Screw)
94PCS



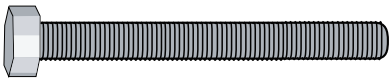
CC(Wood Screw)
46PCS



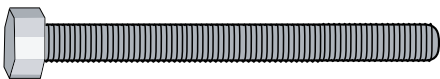
DD(Wood Screw)
18PCS



EE(Wood Screw)
20PCS



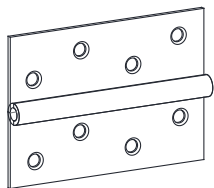
FF(Bolt)
8PCS



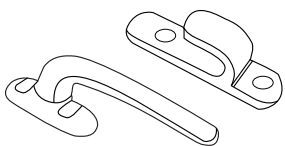
GG(Bolt)
4PCS



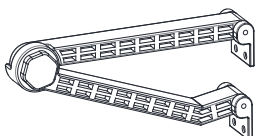
KK(Window Long Hinge With Screw)
1PC



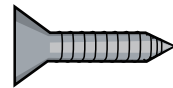
LL(Door Hinge With Screw)
2PCS



MM(Door Handle With Screw)
1PC



NN(Window Support)
1PC



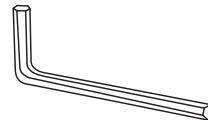
OO(Wood Screw)
28PCS



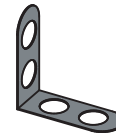
HH(Nut)
12PCS



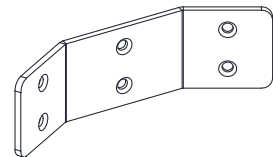
PP(Washer)
24PCS



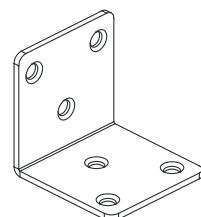
QQ(Hex Key)
1PC



SS(Bracket)
4PCS



28(Roof Bracket) 3PCS



29(Corner Bracket) 4PCS

Step1 Front Wall Assembly 1

Wood Parts

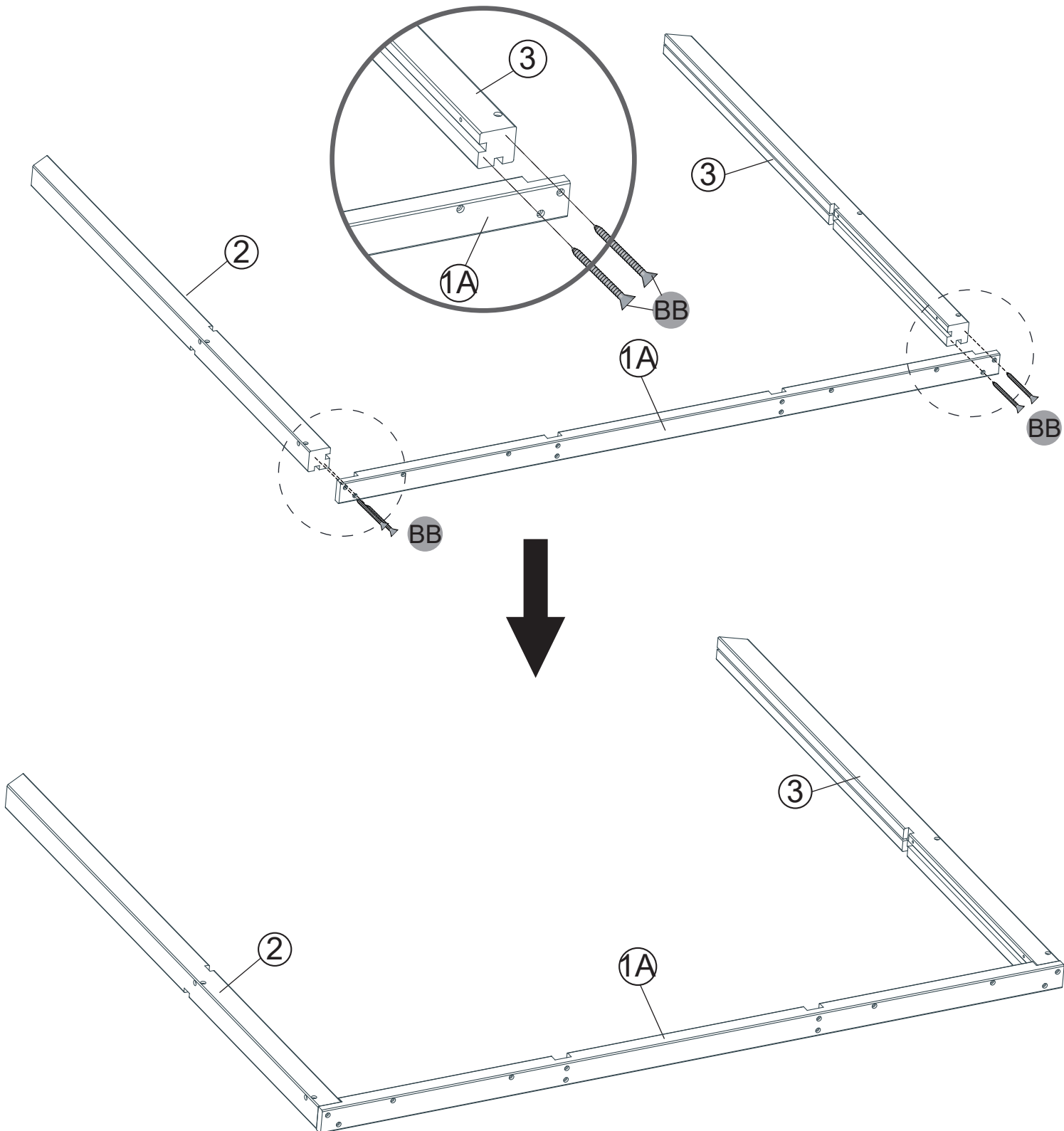
1x 1A(Front Base)

1x 2(Left Post)

1x 3(Right Post)

Hardware

4x BB(Wood Screw)



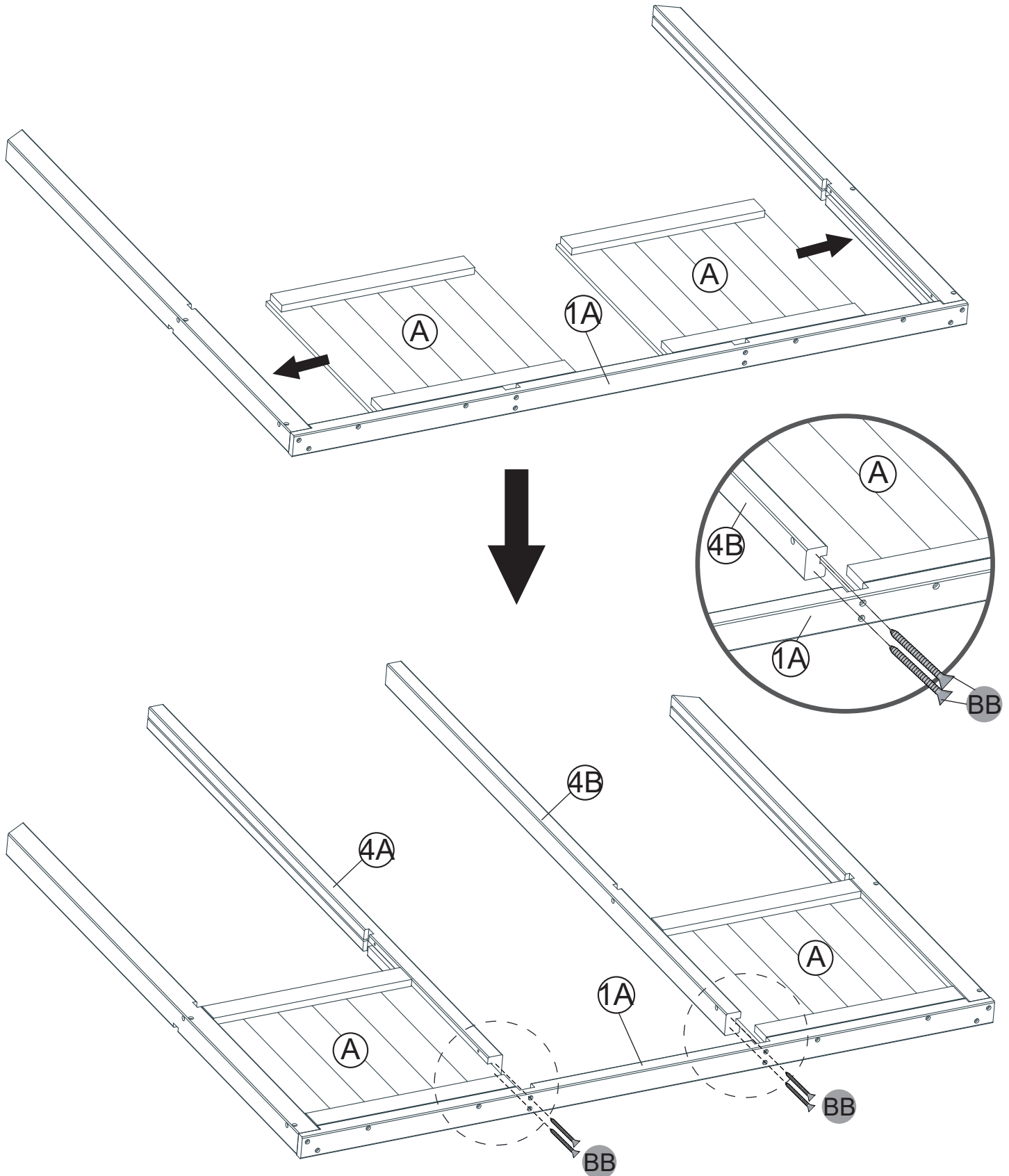
Step2 Front Wall Assembly 2

Wood Parts

- 2x A(Front/Back Wall Panel)
- 1x 4A(Left Door Post)
- 1x 4B(Right Door Post)

Hardware

- 4x BB(Wood Screw)



Step3 Front Wall Assembly 3

Wood Parts

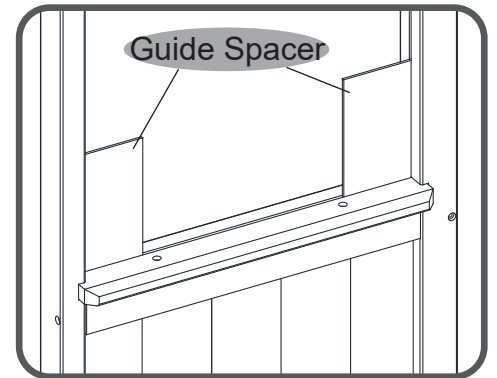
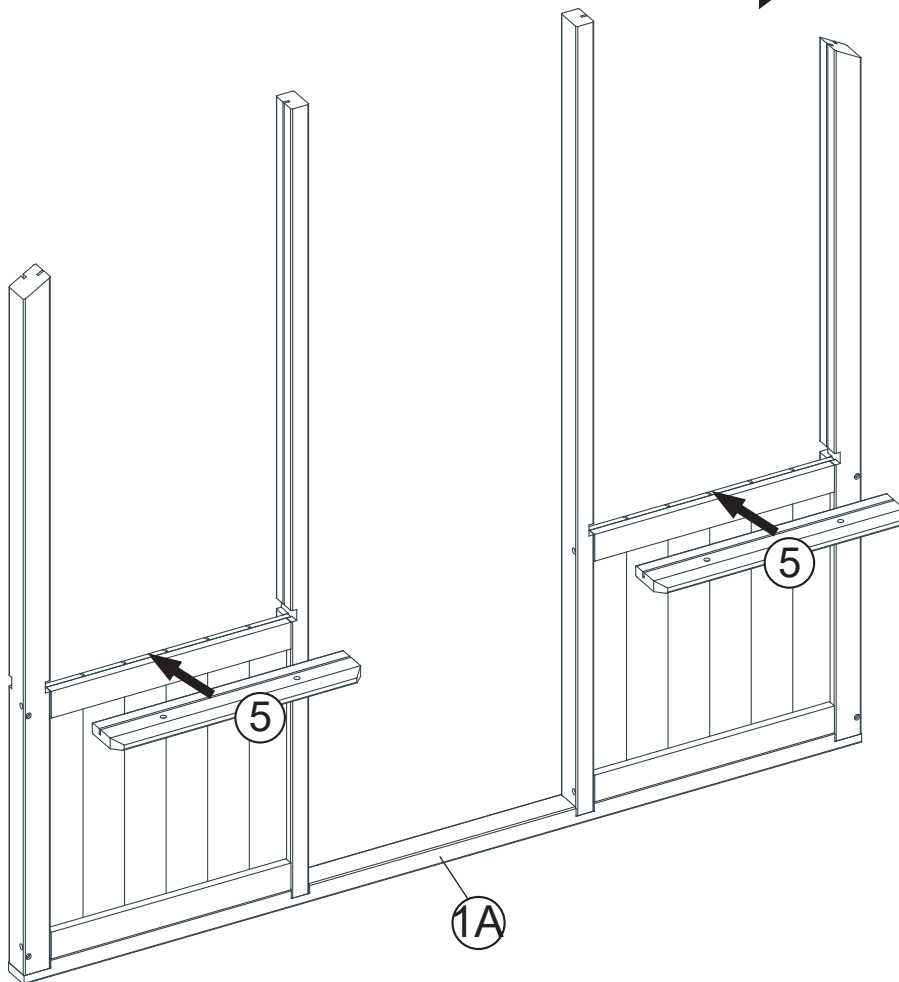
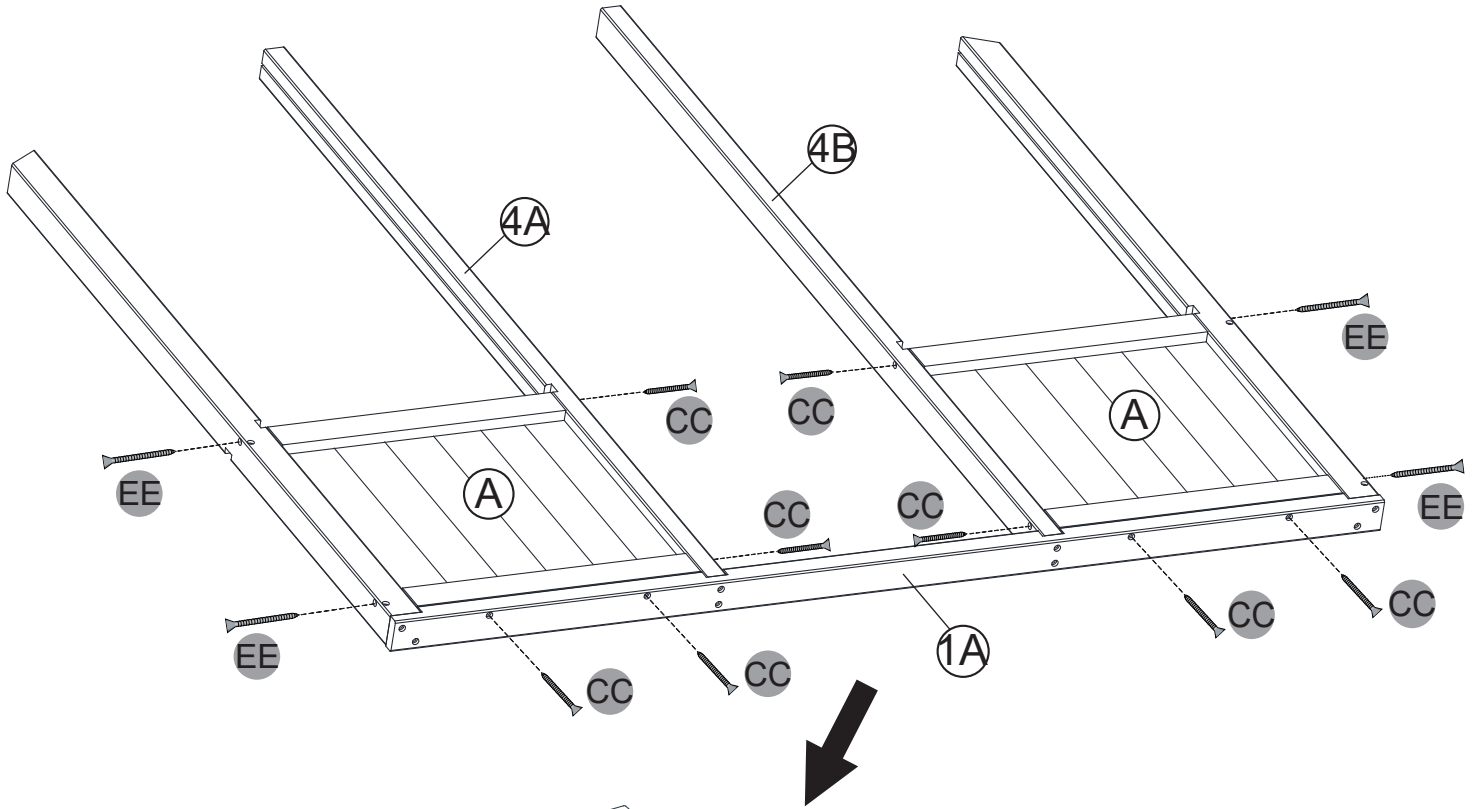
2x 5(Front Wall Sill)

Hardware

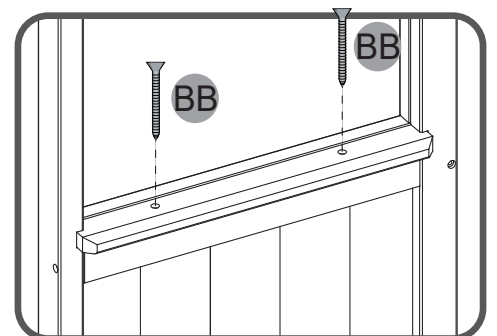
4x BB(Wood Screw)

8x CC(Wood Screw)

4x EE(Wood Screw)



NOTE: Guide spacers are placed in the grooves of the posts, door-posts, and front wall sill to align the posts, and then removed when the posts are correctly aligned.



Step4 Front Wall Assembly 4

Wood Parts

1x 8(Gable Beam)

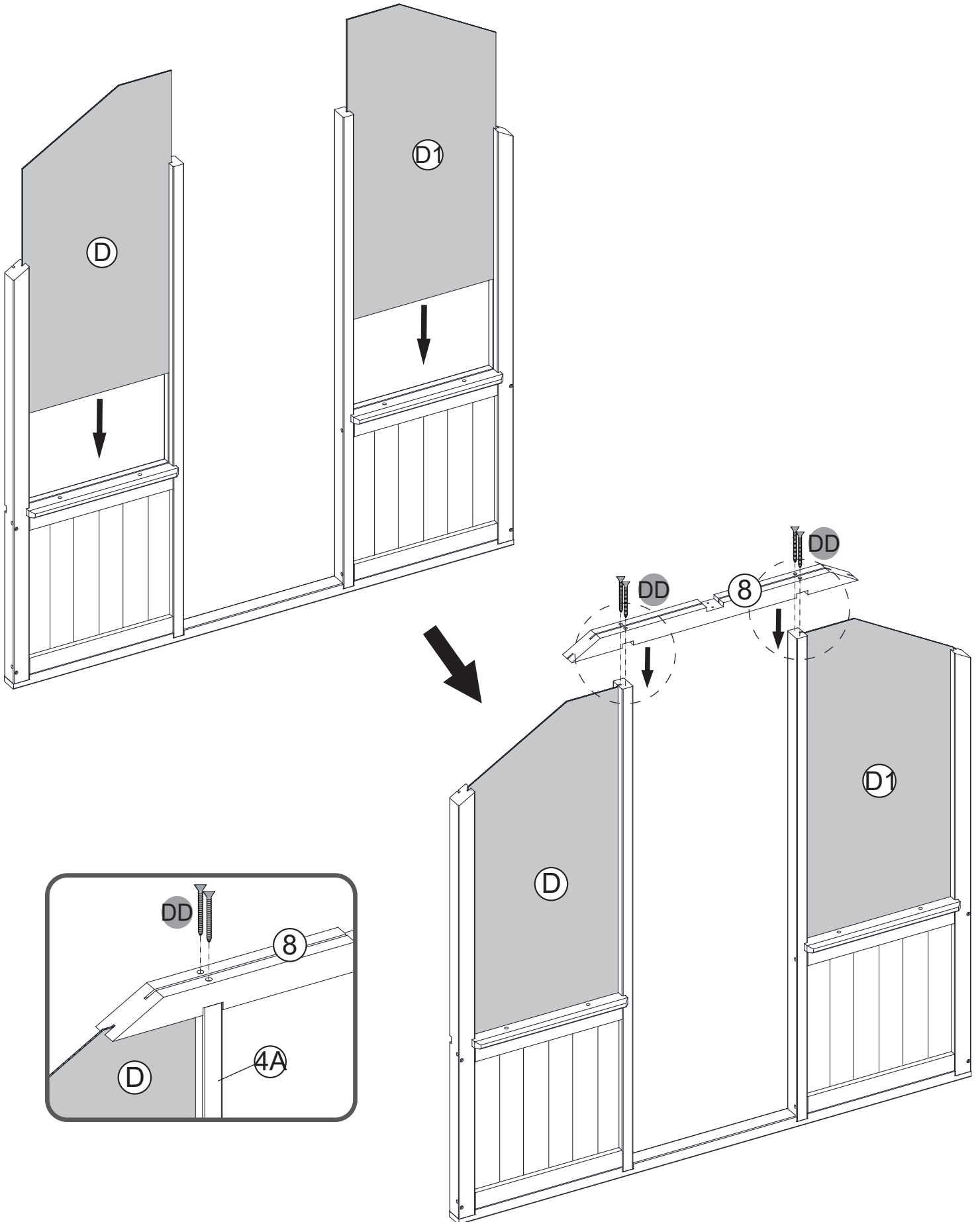
Polycarbonate Board

1x D

1x D1

Hardware

4x DD(Wood Screw)



Step 5 Front Wall Assembly 5

Wood Parts

1x 19(Roof Brace)

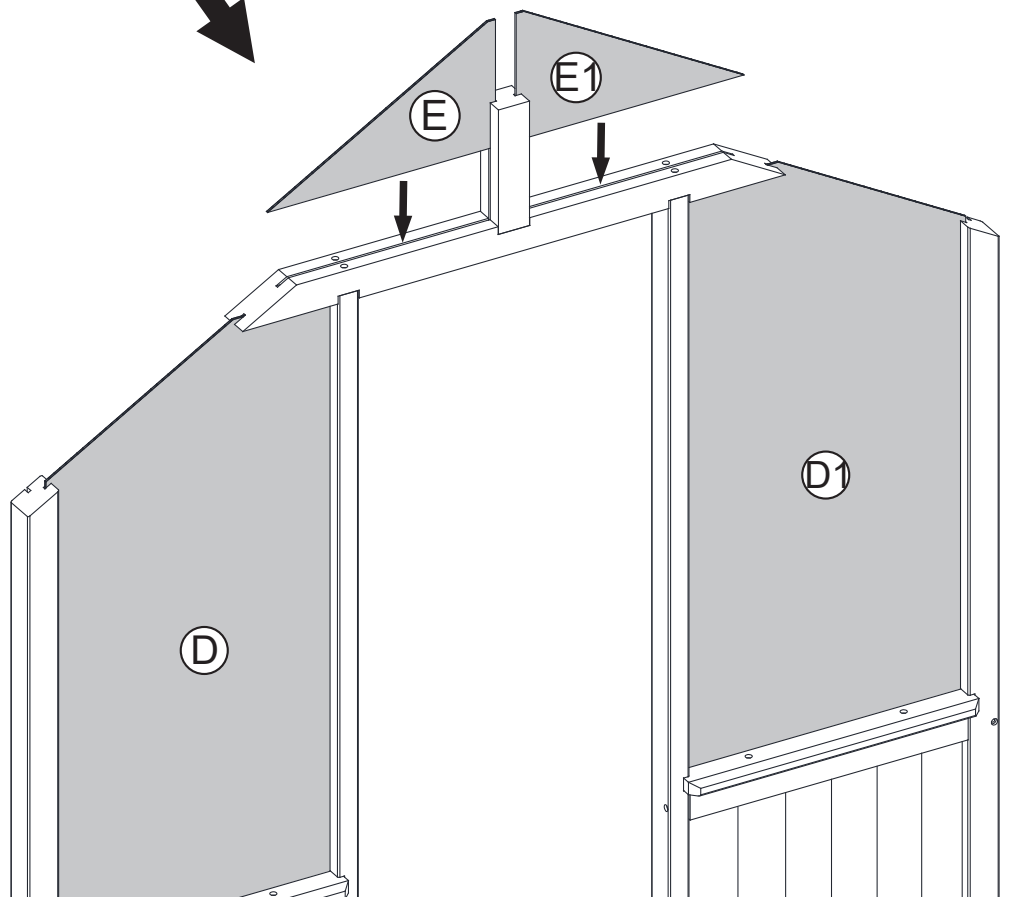
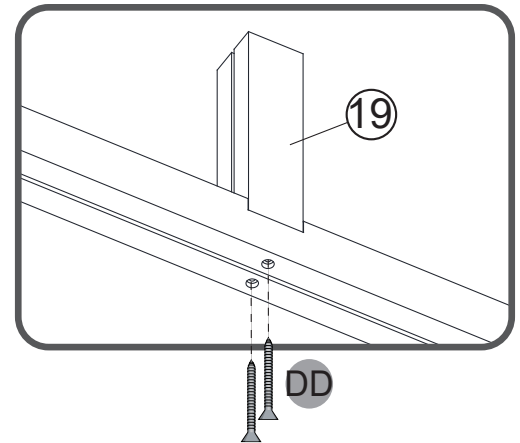
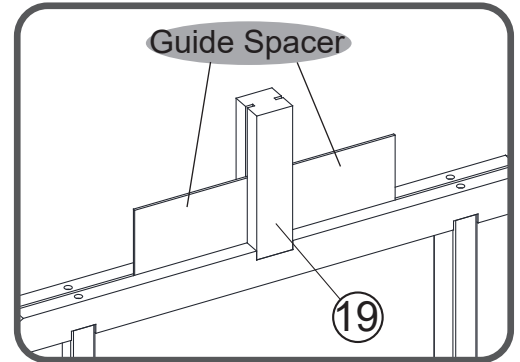
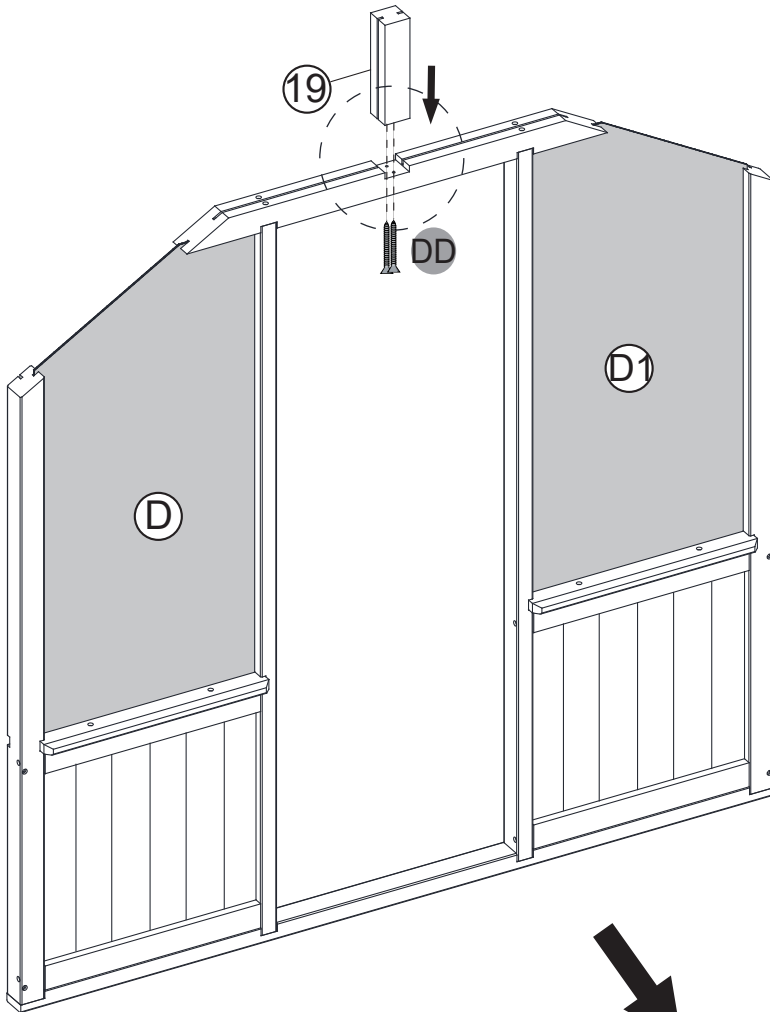
Polycarbonate Board

1x E

1x E1

Hardware

2x DD(Wood Screw)



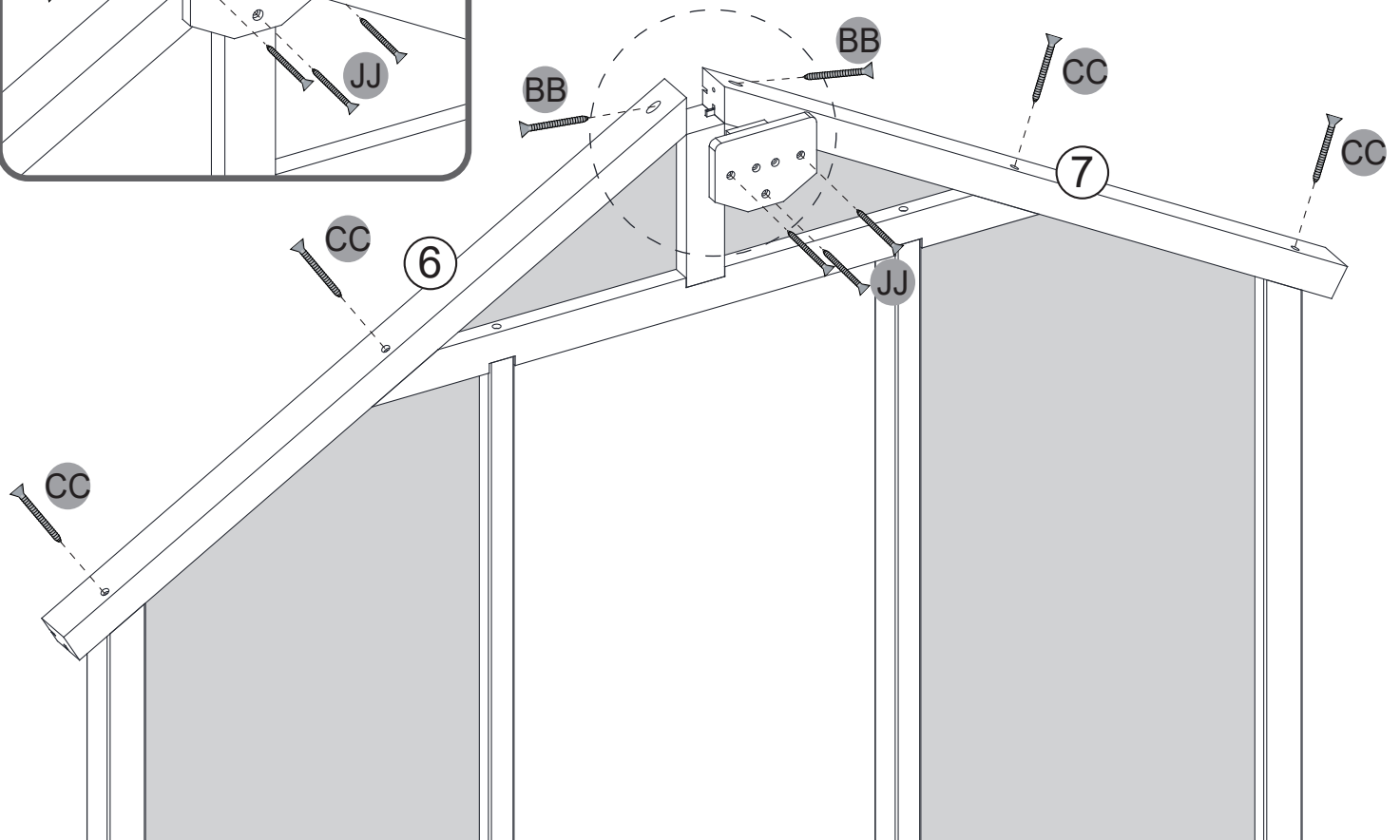
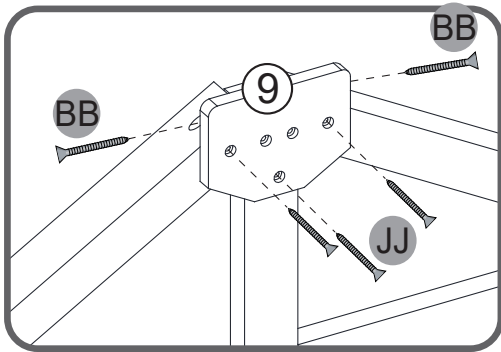
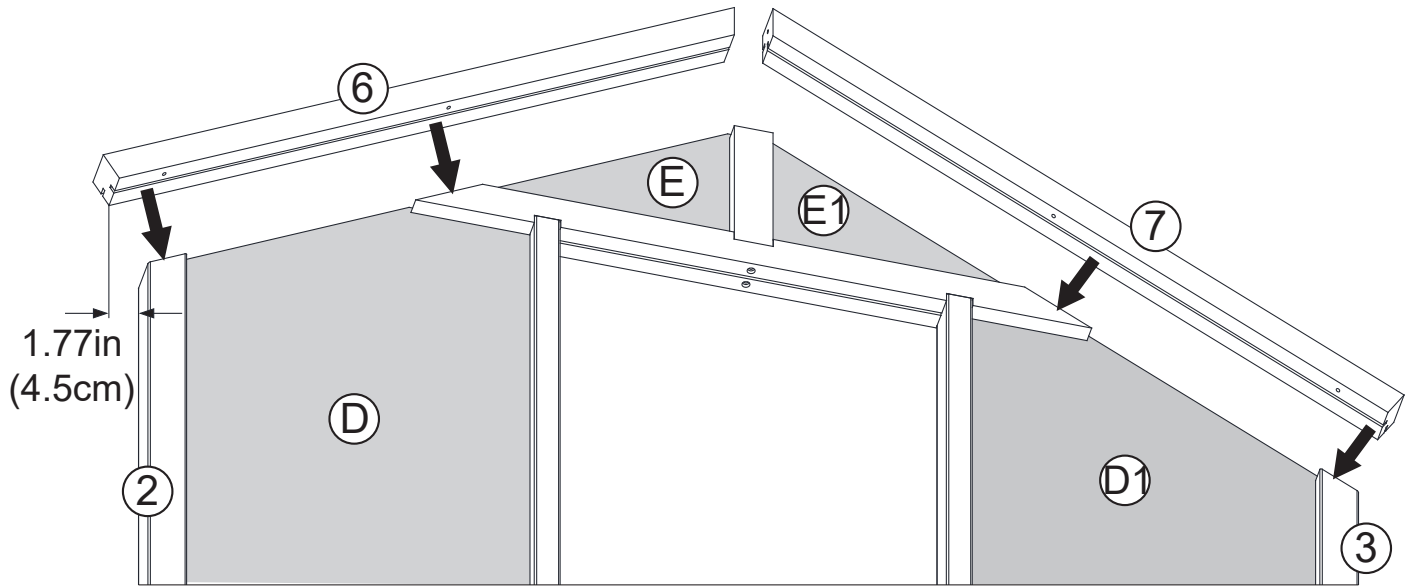
Step 6 Front Wall Assembly 6

Wood Parts

- 1x 6 (Left Roof Rafter)
- 1x 7 (Right Roof Rafter)
- 1x 9 (Peak Spacer)

Hardware

- 3x JJ (Wood Screw)
- 2x BB (Wood Screw)
- 4x CC (Wood Screw)



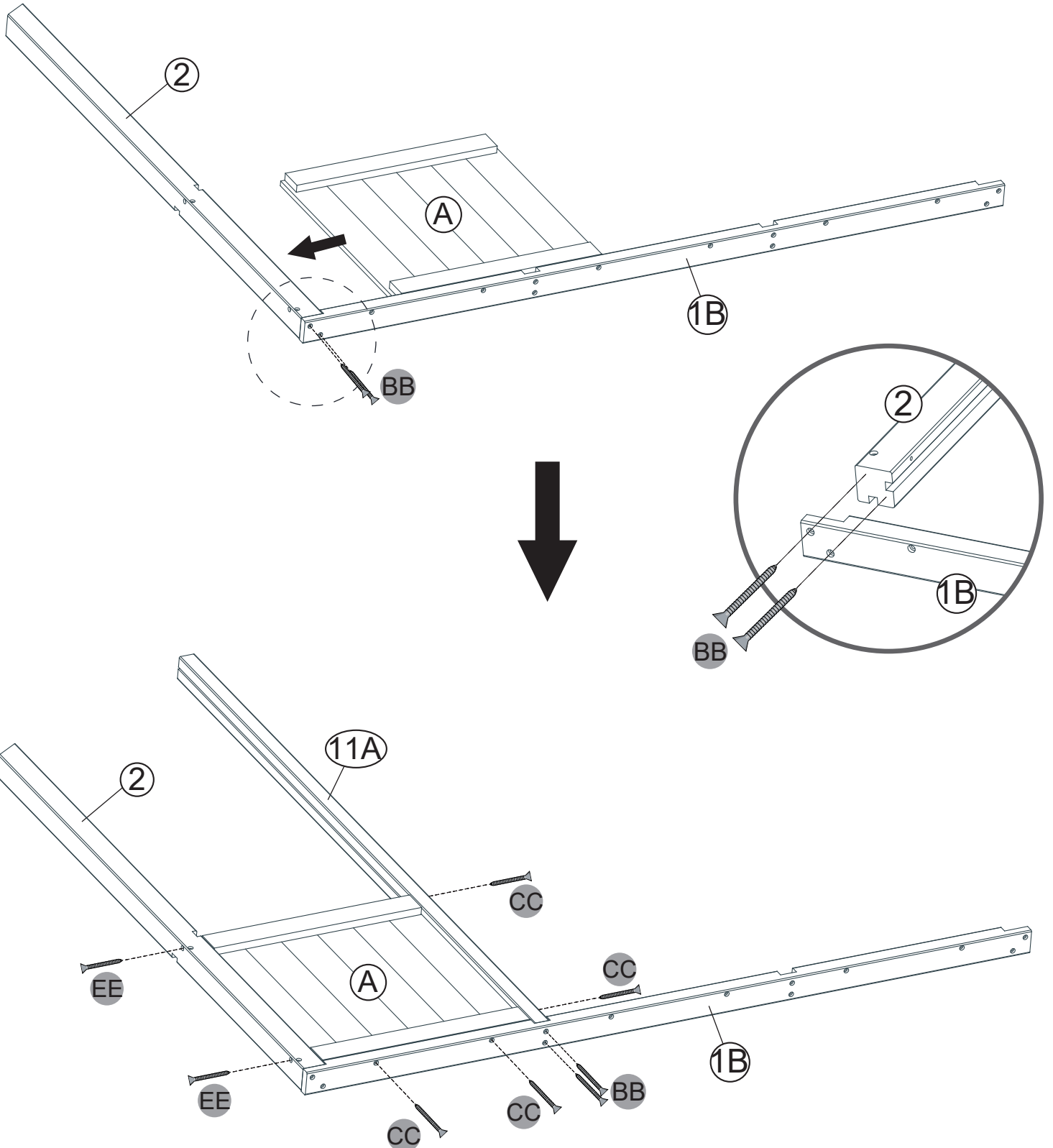
Step 7 Back Wall Assembly 1

Wood Parts

- 1x 1B(Back Base)
- 1x 2(Left Post)
- 1x A(Front/Back Wall Panel)
- 1x 11A(Back Post)

Hardware

- 4x BB(Wood Screw)
- 4x CC(Wood Screw)
- 2x EE(Wood Screw)



Step 8 Back Wall Assembly 2

Wood Parts

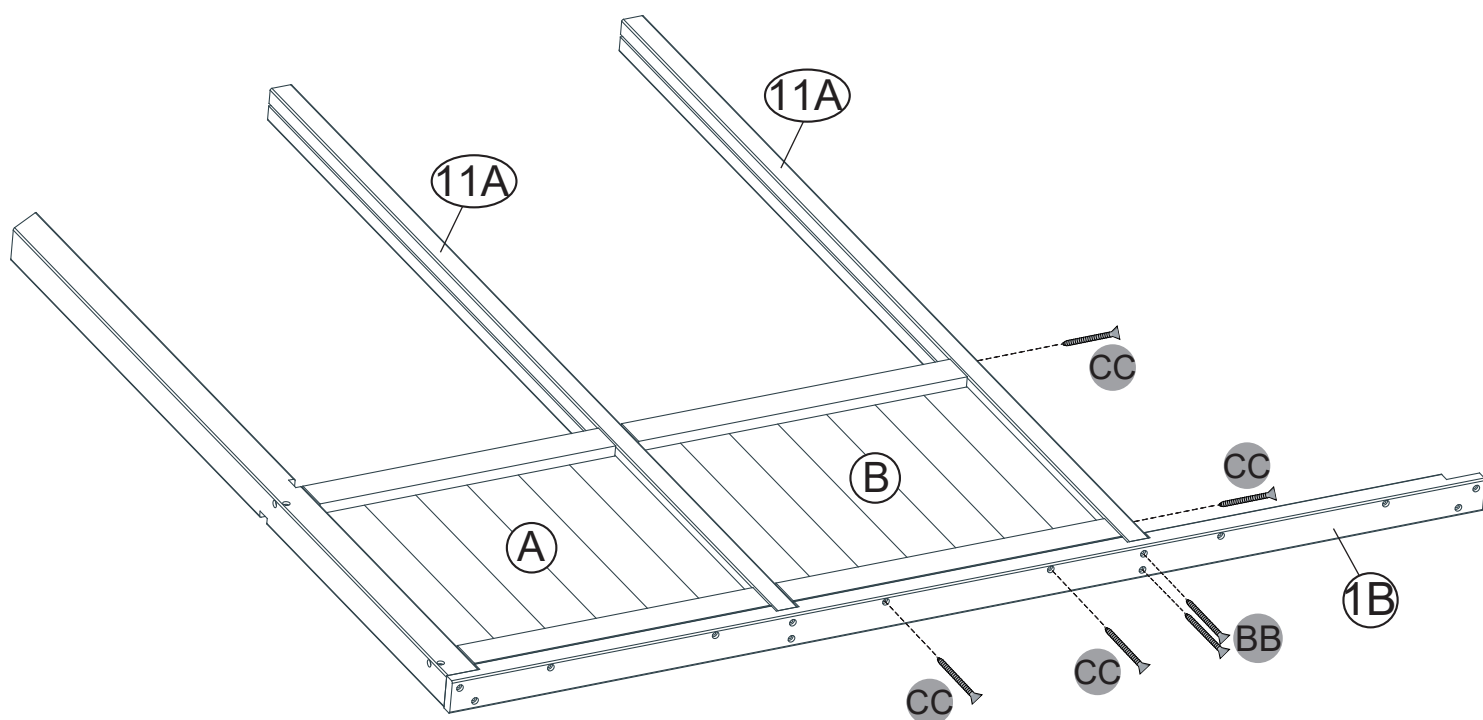
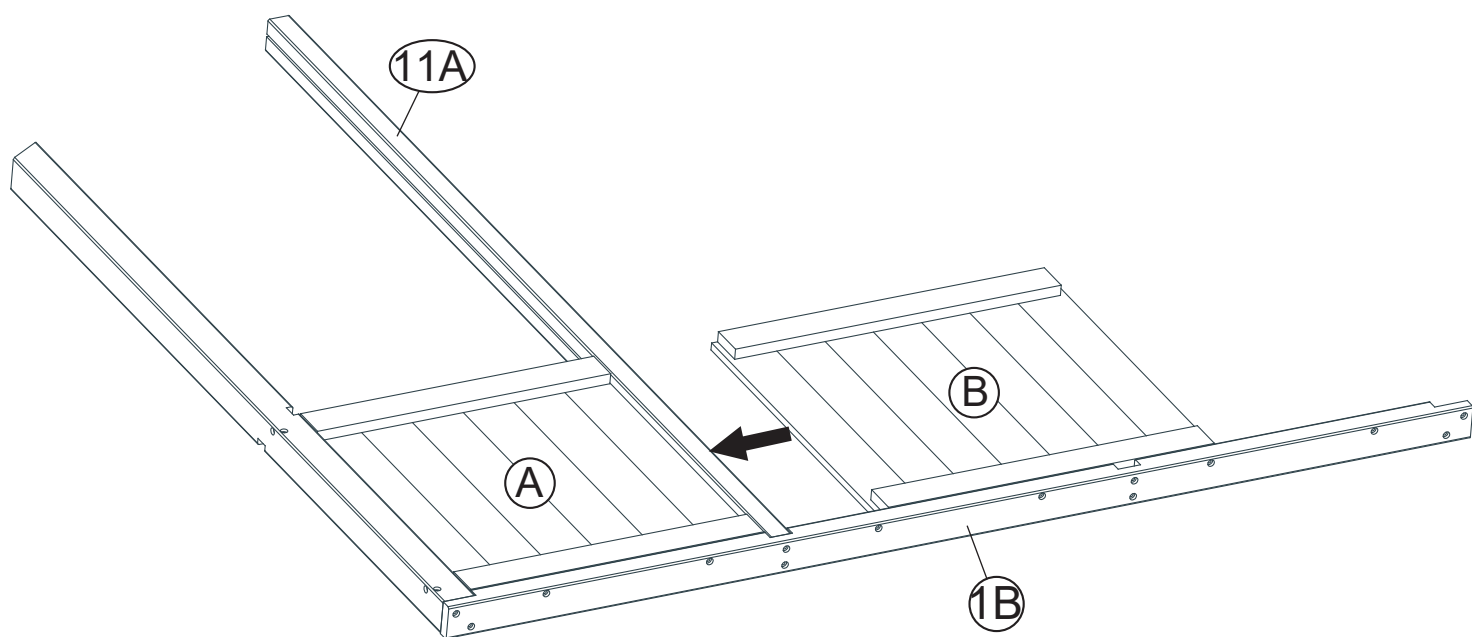
1x B(Back Middle Wall Panel)

1x 11A(Back Post)

Hardware

2x BB(Wood Screw)

4x CC(Wood Screw)



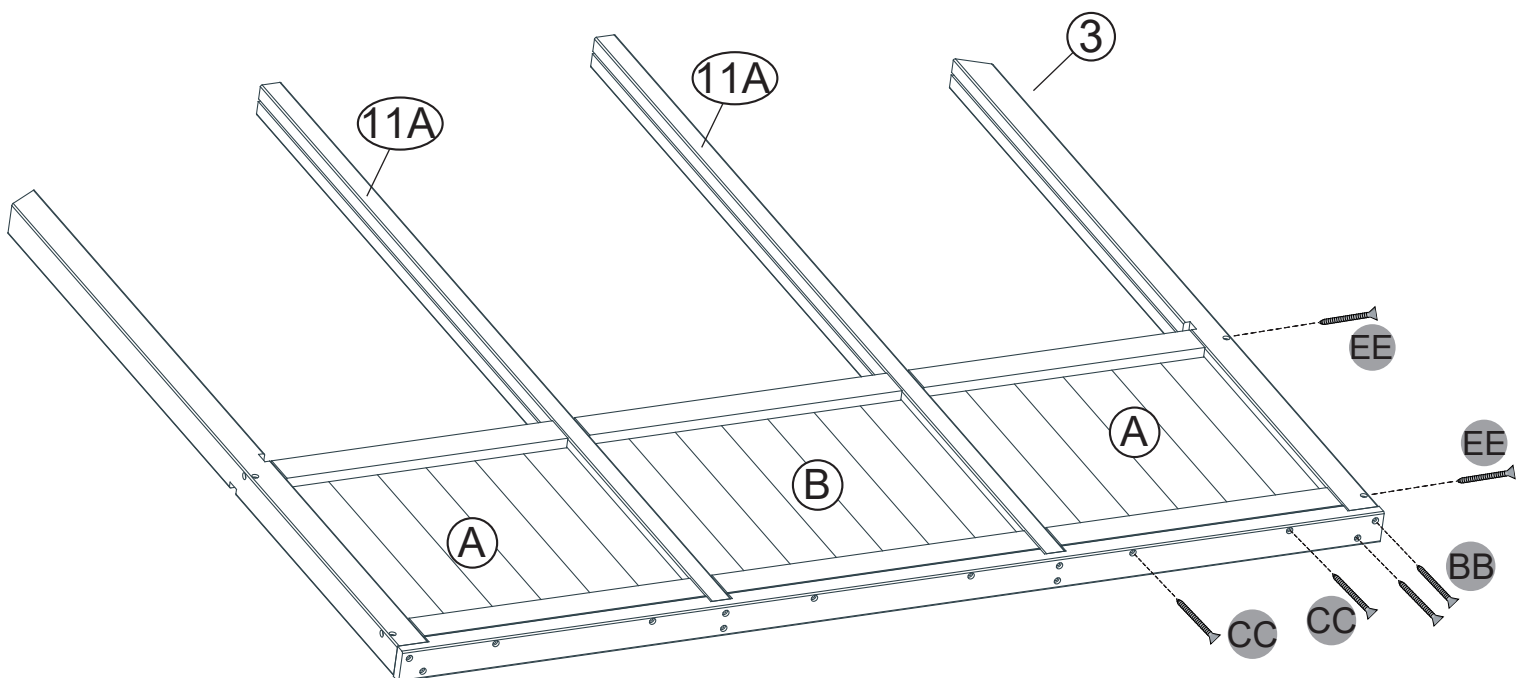
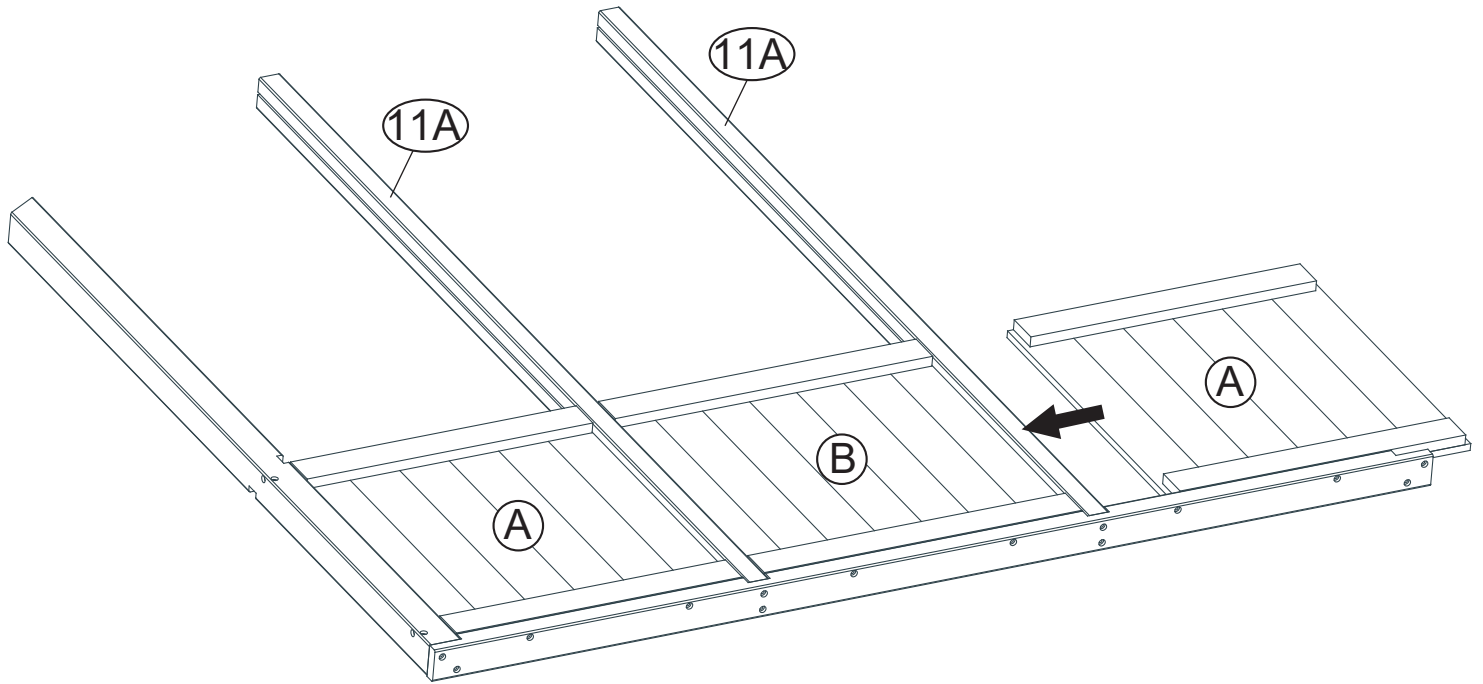
Step9 Back Wall Assembly 3

Wood Parts

1x 3(Right Post)
1x A(Front/Back Wall Panel)

Hardware

2x BB(Wood Screw)
2x CC(Wood Screw)
2x EE(Wood Screw)



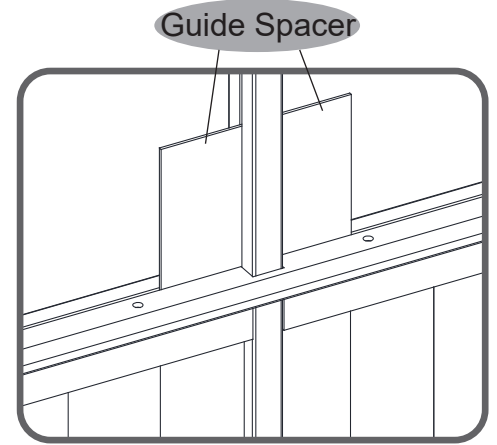
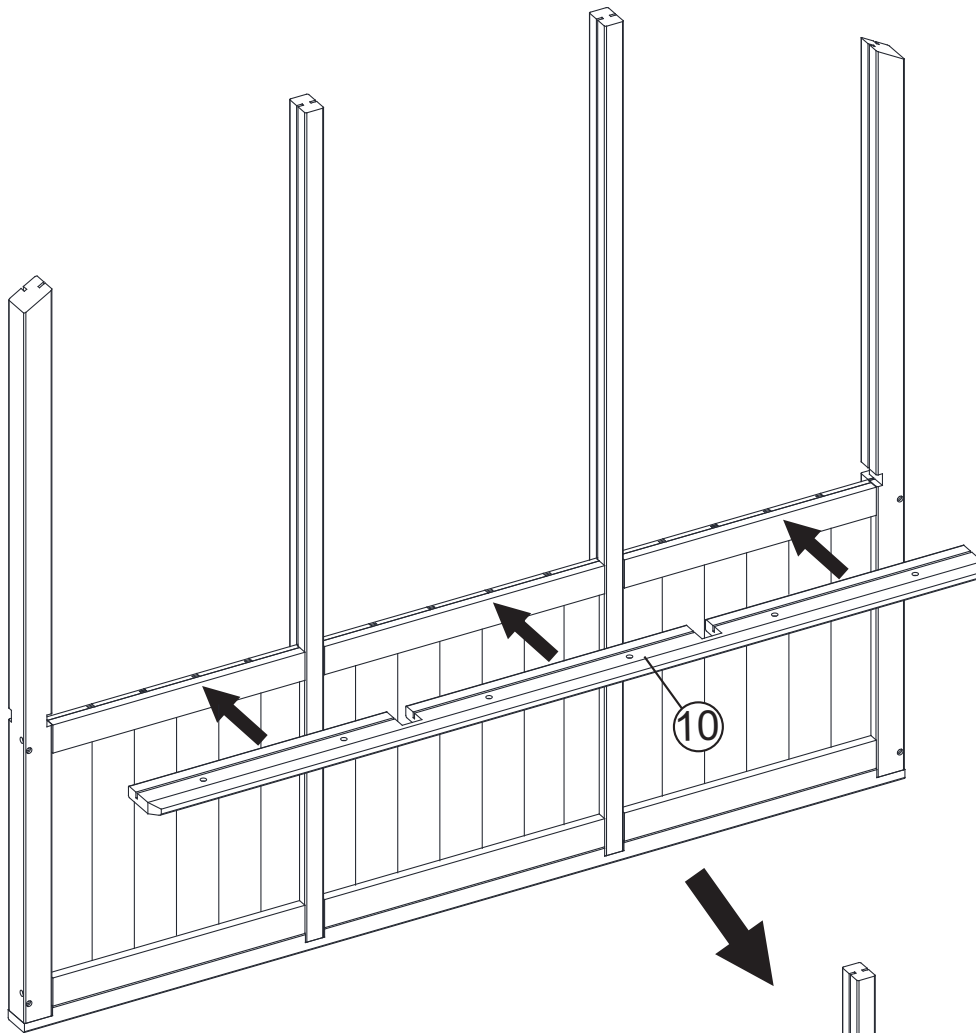
Step 10 Back Wall Assembly 4

Wood Parts

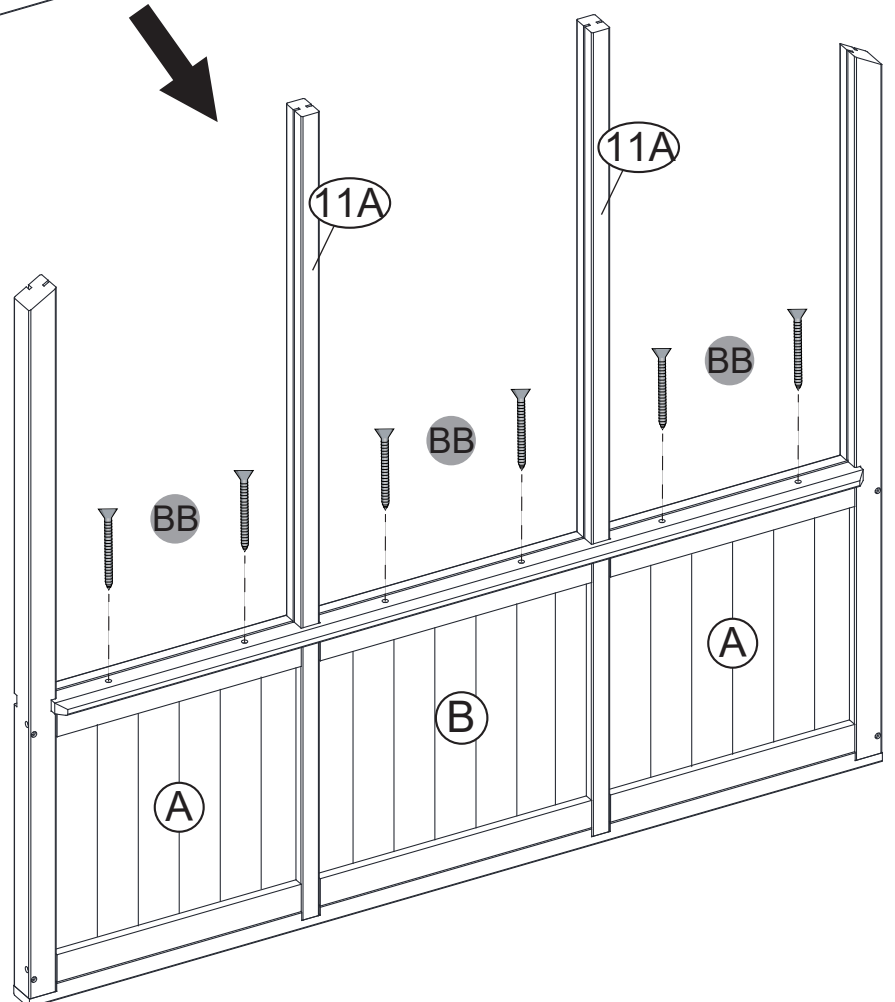
1x 10 (Back Wall Sill)

Hardware

6x BB (Wood Screw)



NOTE: Guide spacers are placed in the grooves of the posts, door-posts, and front wall sill to align the posts, and then removed when the posts are correctly aligned.



Step 11 Back Wall Assembly 5

Wood Parts

1x 8(Gable Beam)

Polycarbonate Board

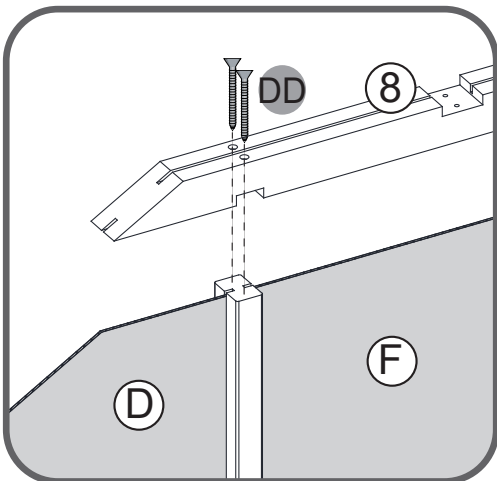
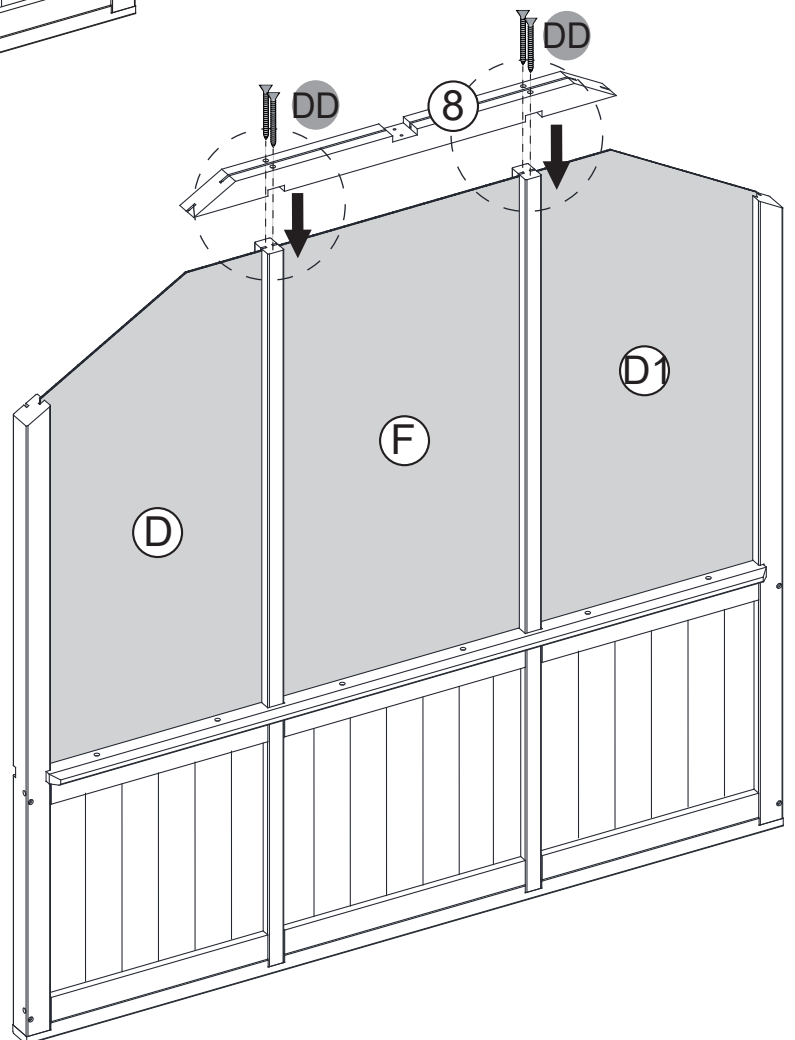
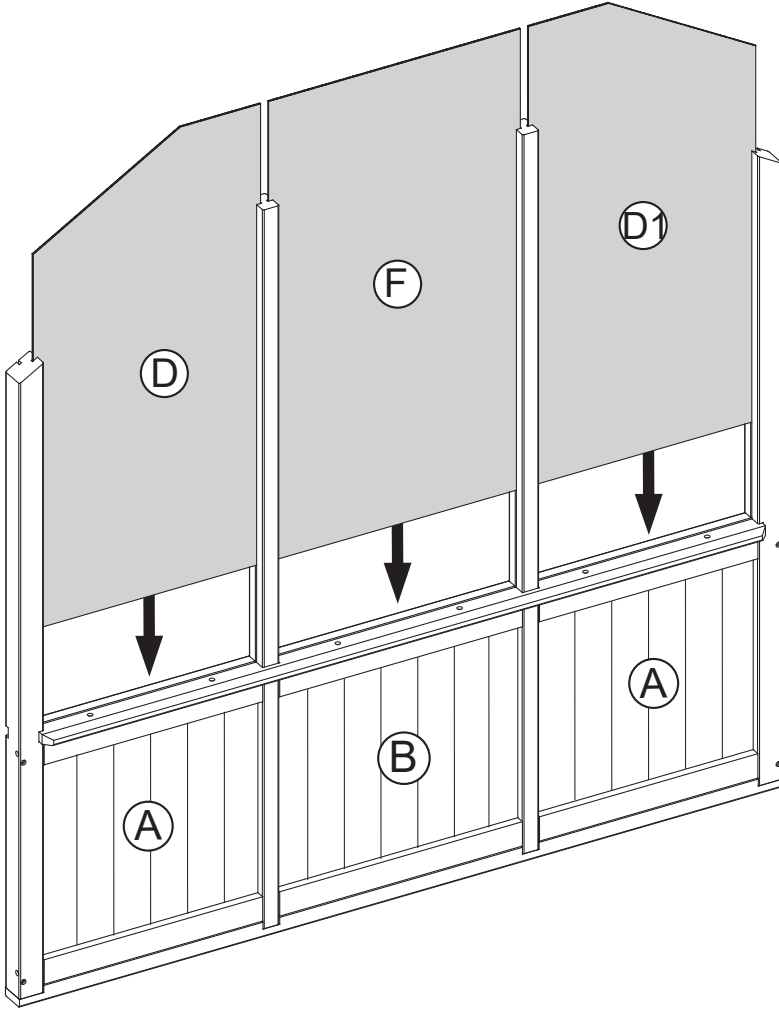
1x D

1x D1

1x F

Hardware

4x DD(Wood Screw)



Step 12 Back Wall Assembly 6

Wood Parts

1x 19(Roof Brace)

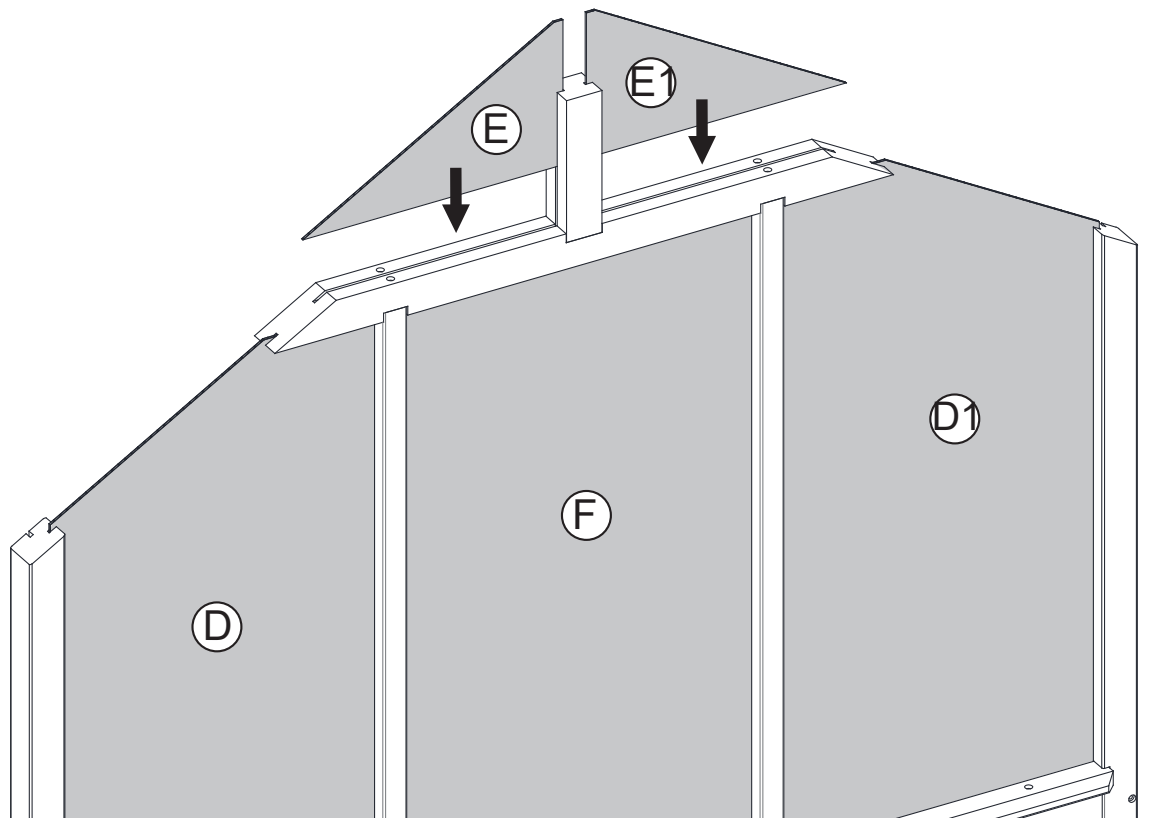
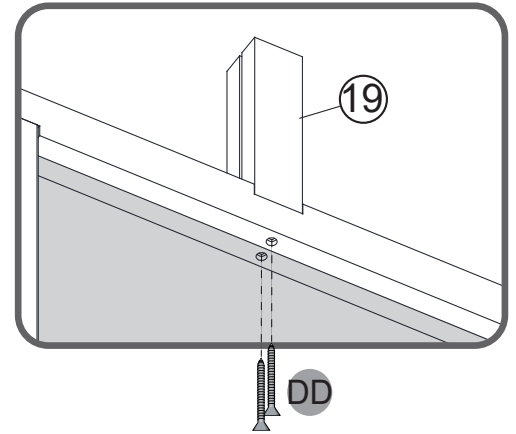
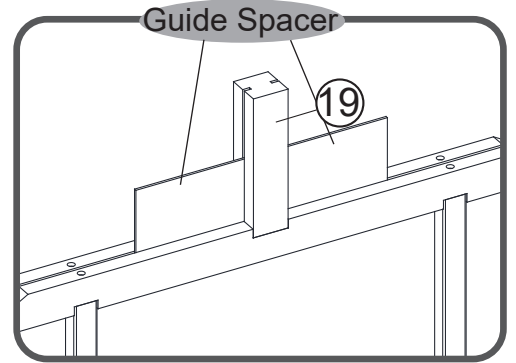
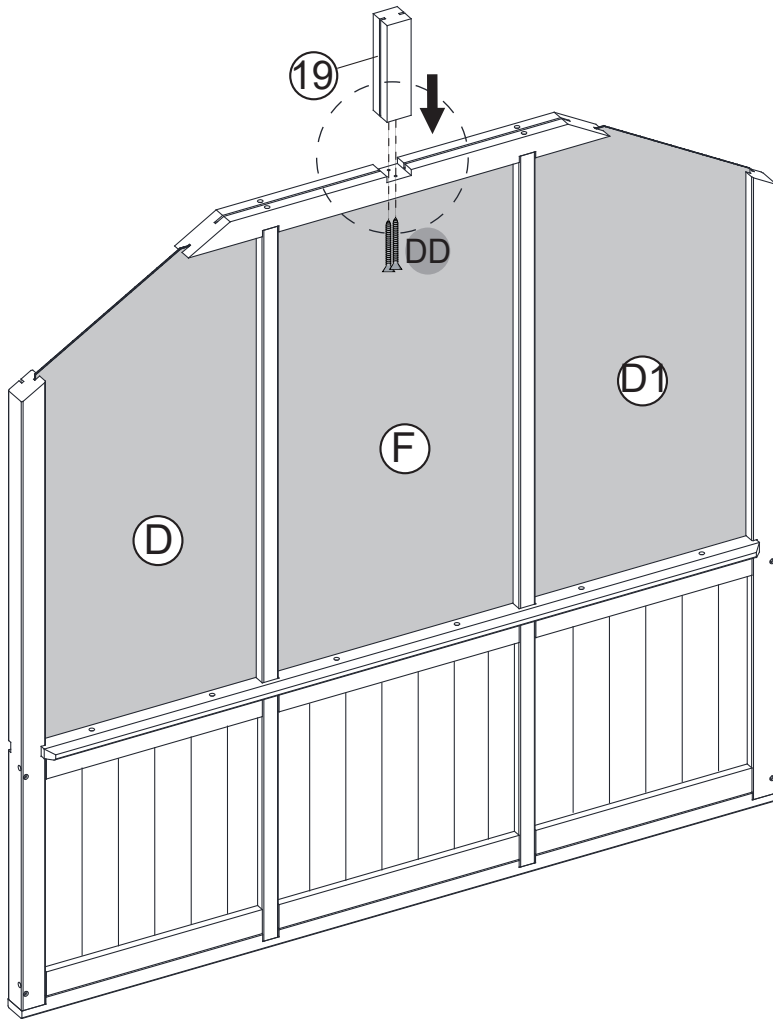
Polycarbonate Board

1x E

1x E1

Hardware

2x DD(Wood Screw)



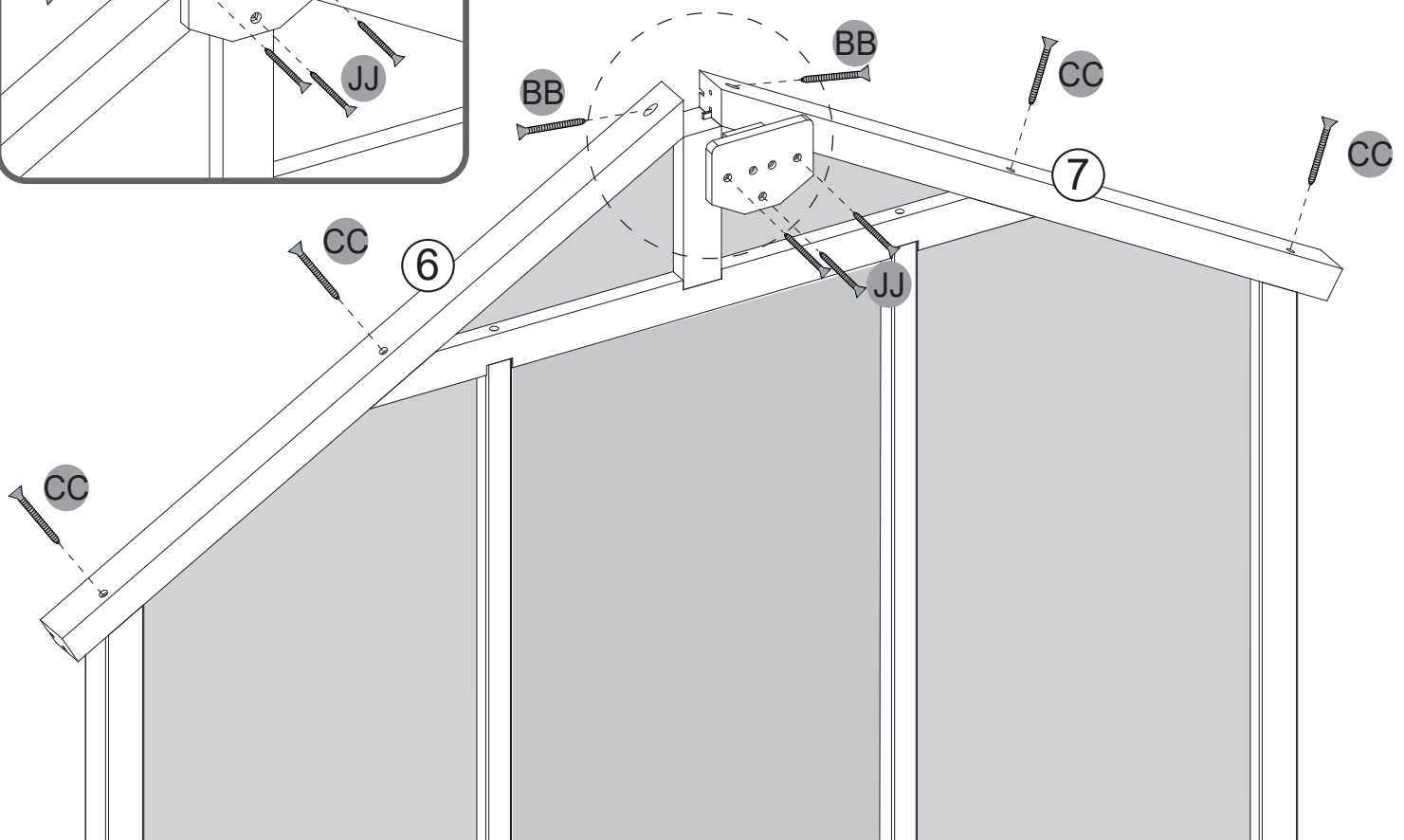
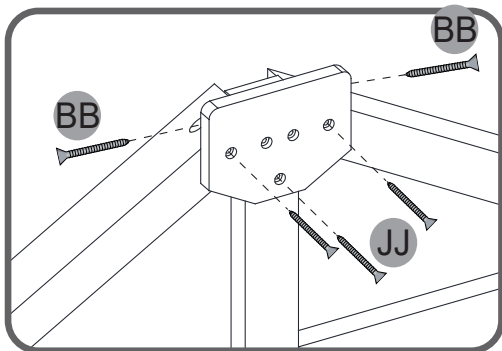
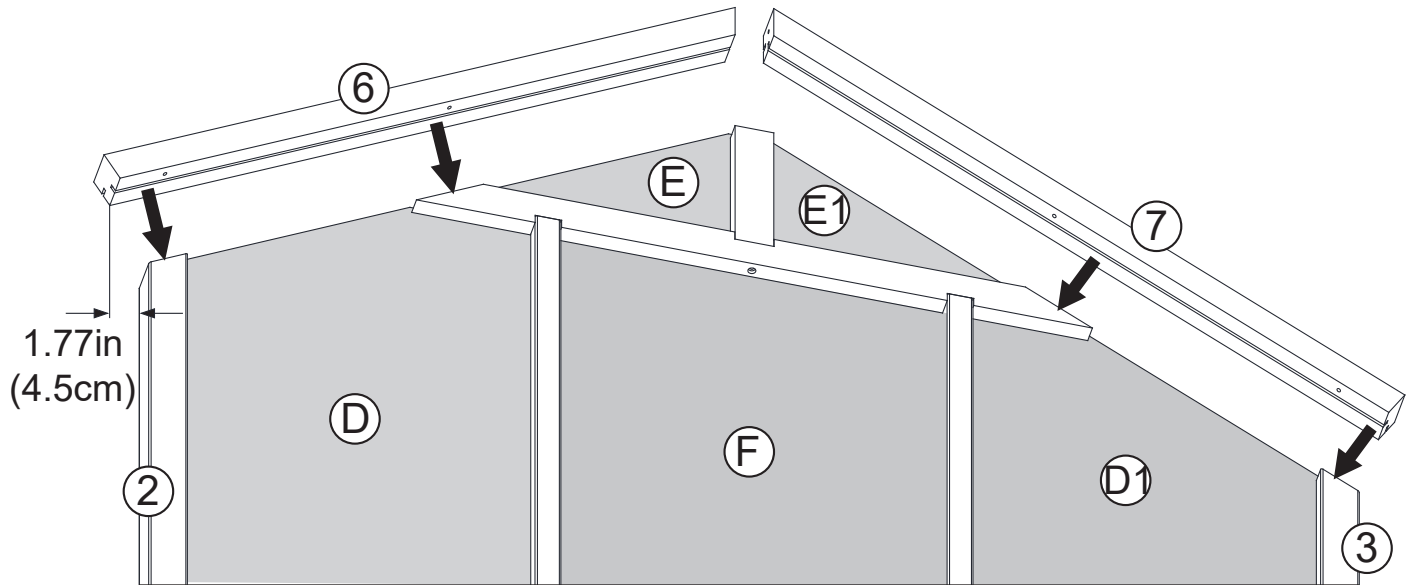
Step 13 Back Wall Assembly 7

Wood Parts

- 1x 6 (Left Roof Rafter)
- 1x 7 (Right Roof Rafter)
- 1x 9 (Peak Spacer)

Hardware

- 3x JJ (Wood Screw)
- 2x BB (Wood Screw)
- 4x CC (Wood Screw)



Step 14 Side Wall Assembly 1

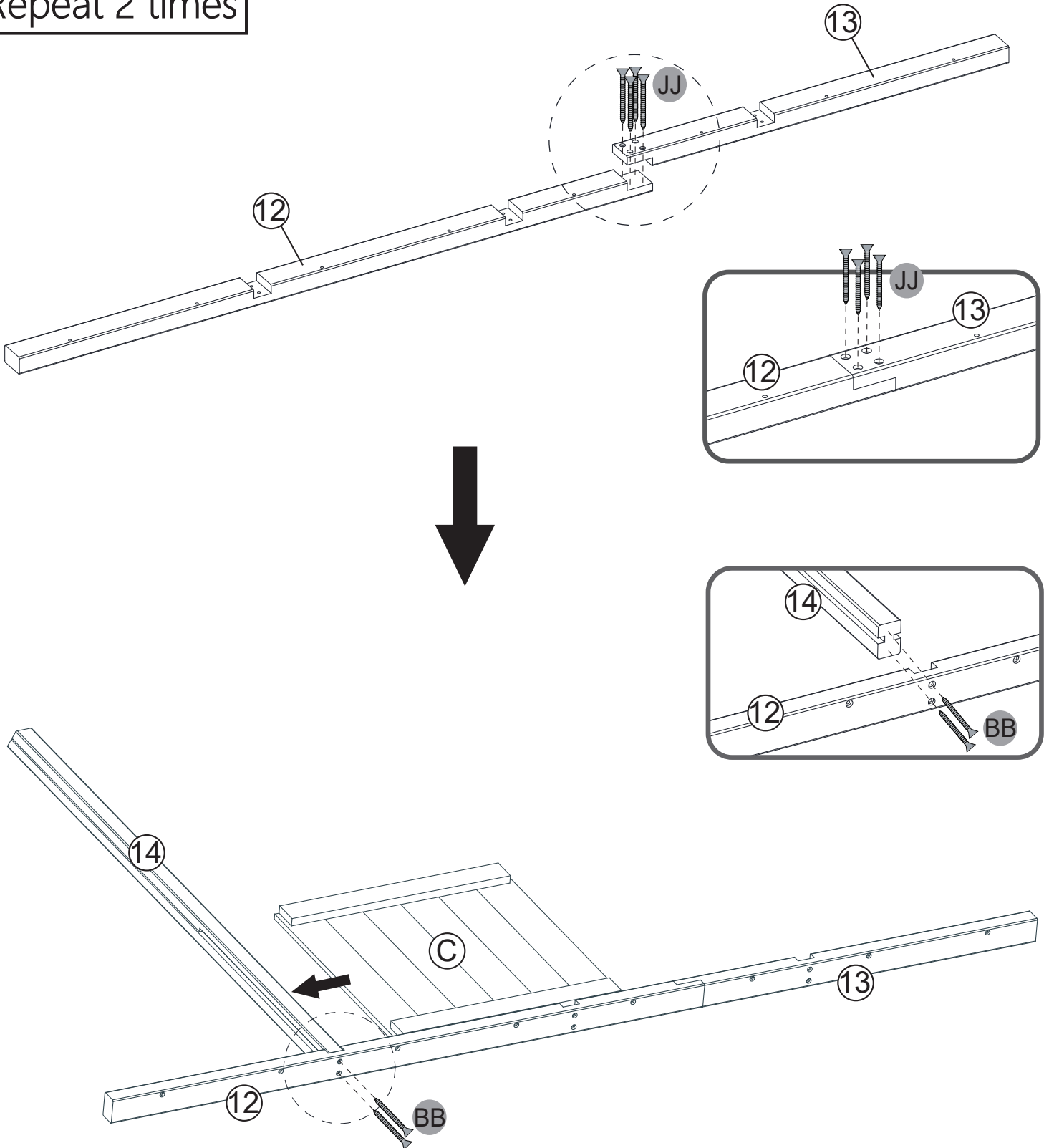
Wood Parts

- 2x 12 (Left Side Base)
- 2x 13 (Right Side Base)
- 2x 14 (Side Post)
- 2x C (Side Wall Panel)

Hardware

- 4x BB (Wood Screw)
- 8x JJ (Wood Screw)

Repeat 2 times



Step 15 Side Wall Assembly 2

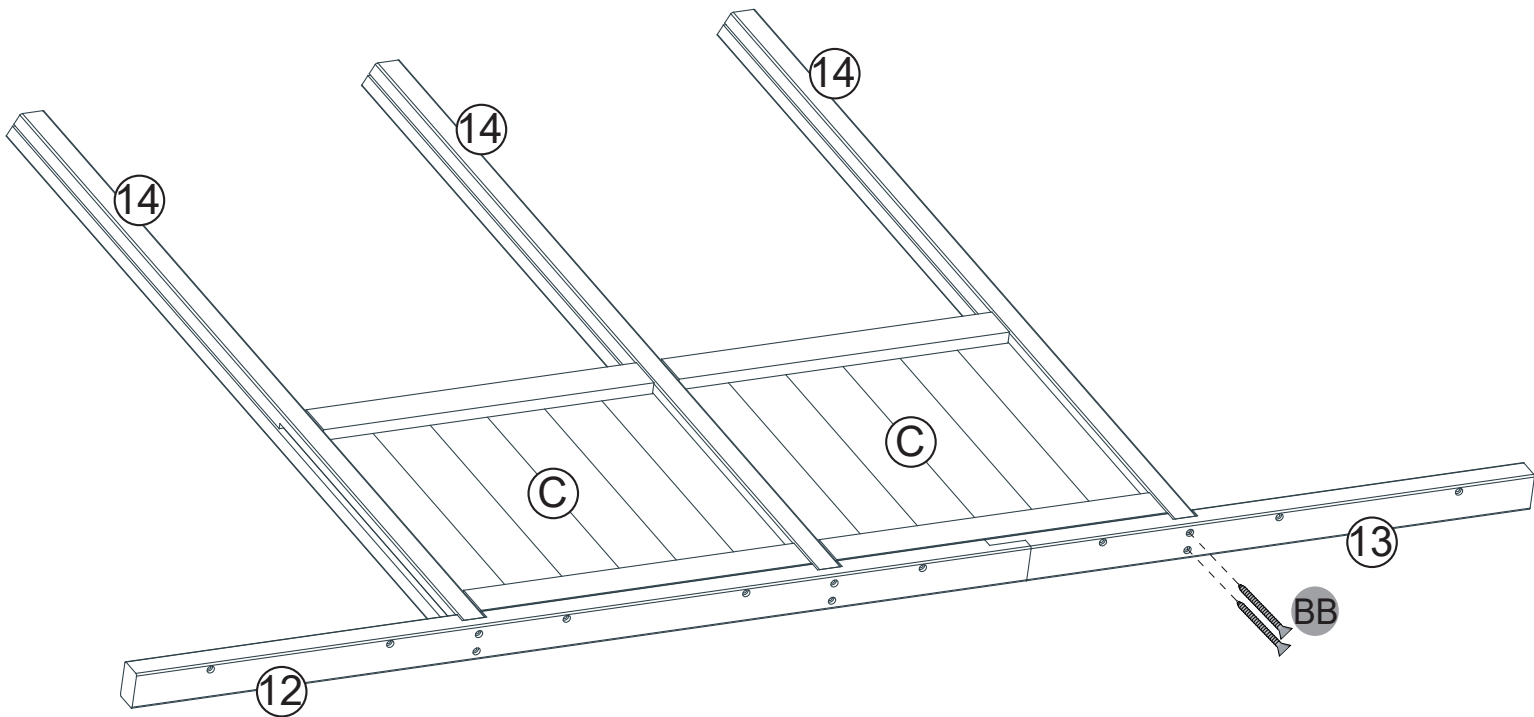
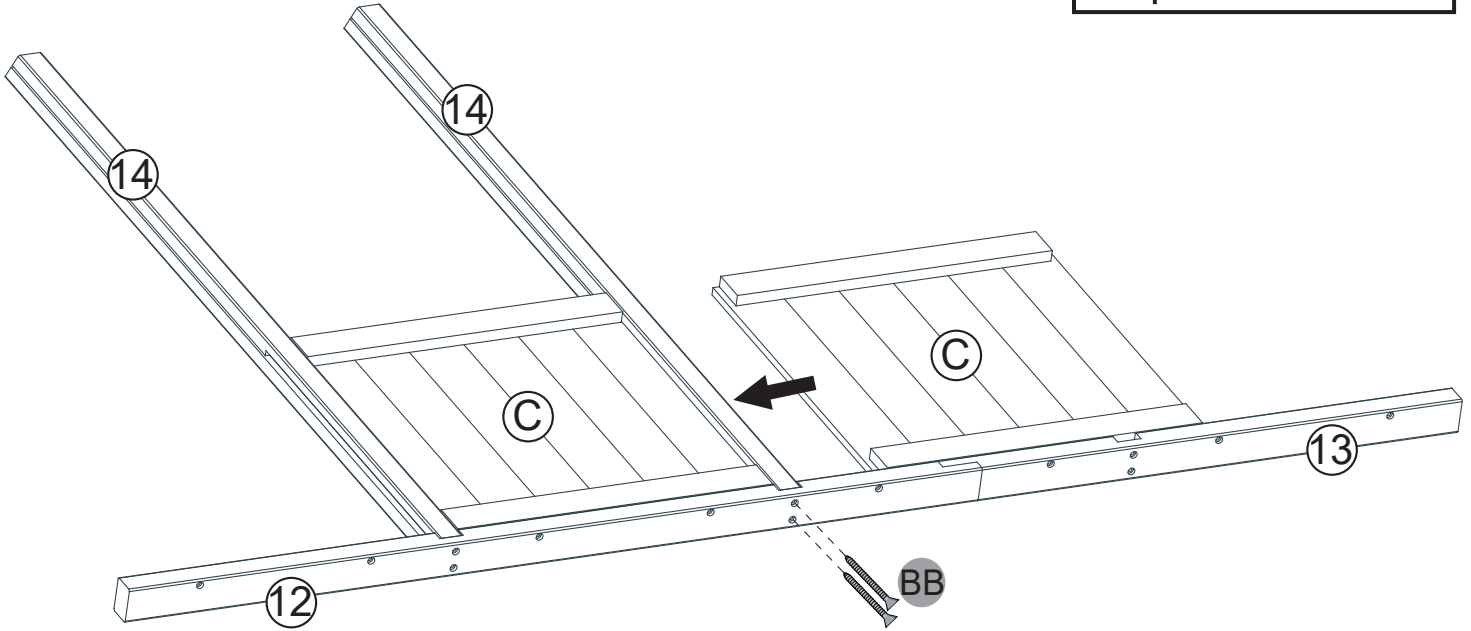
Wood Parts

4x 14 (Side Post)
2x C (Side Wall Panel)

Hardware

8x BB (Wood Screw)

Repeat 2 times



Step 16 Side Wall Assembly 3

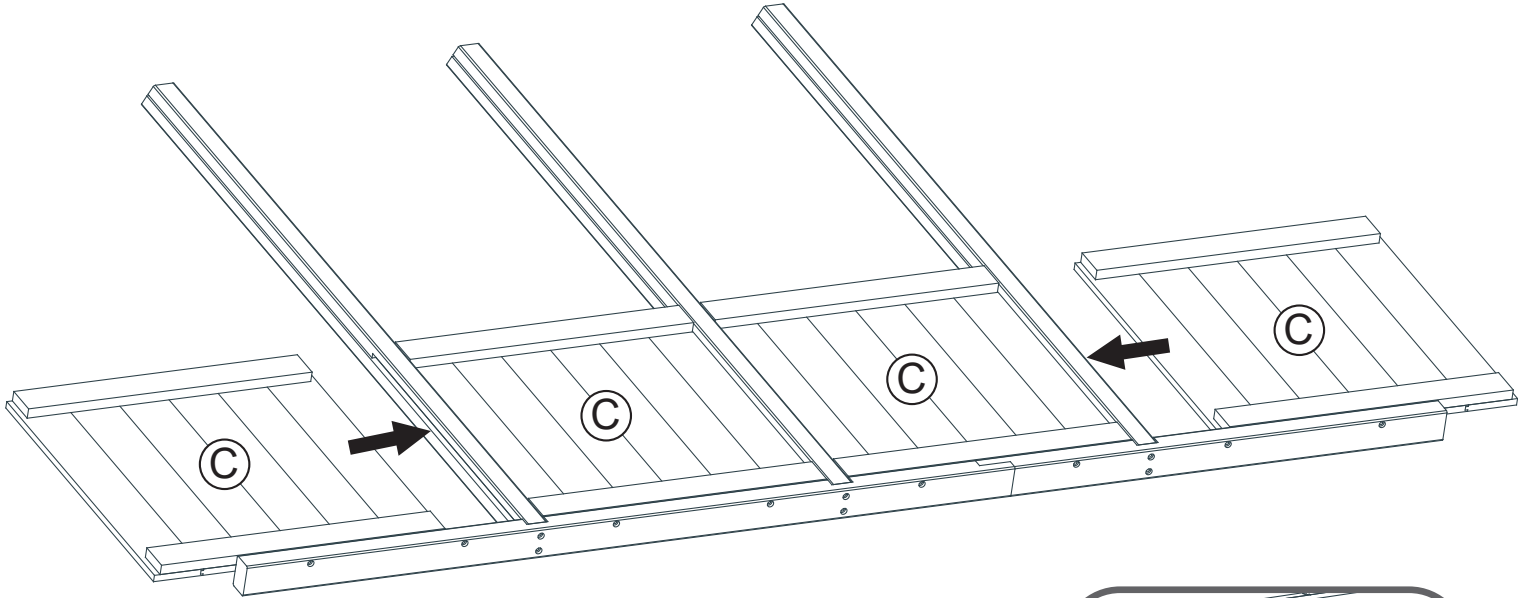
Wood Parts

4x C(Side Wall Panle)

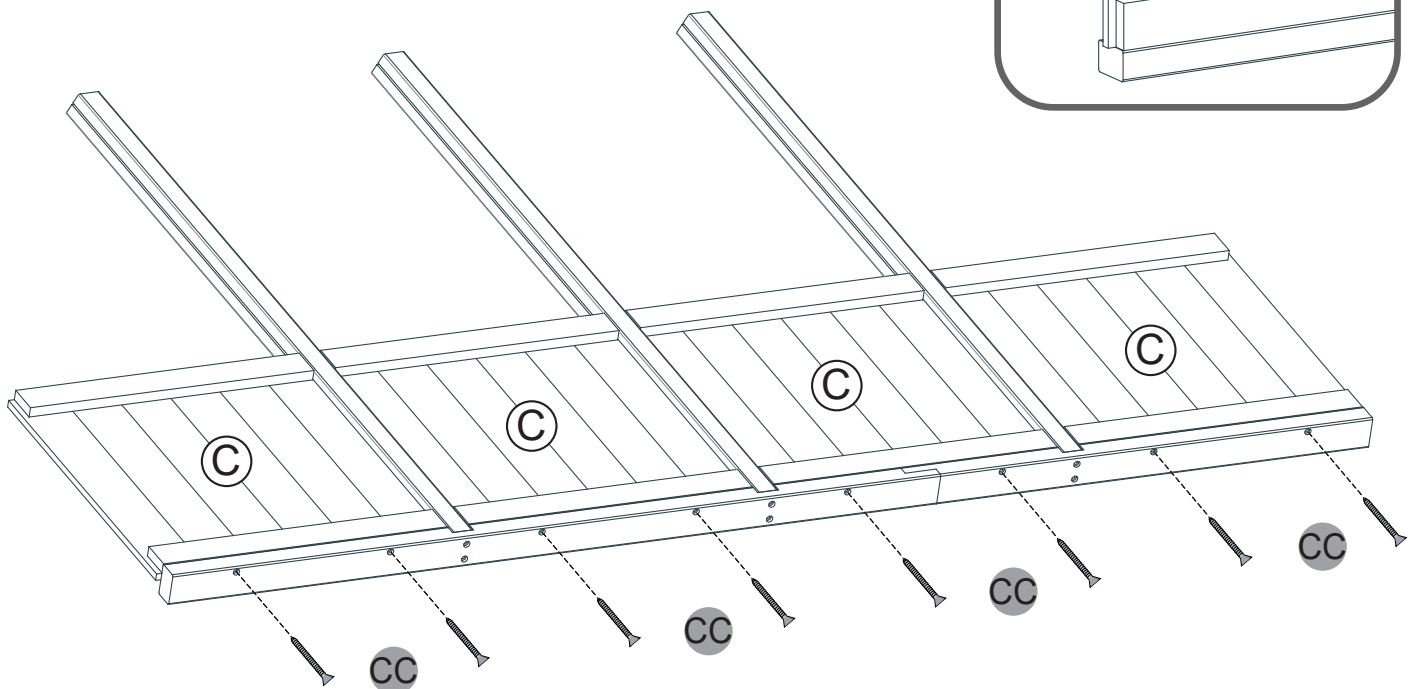
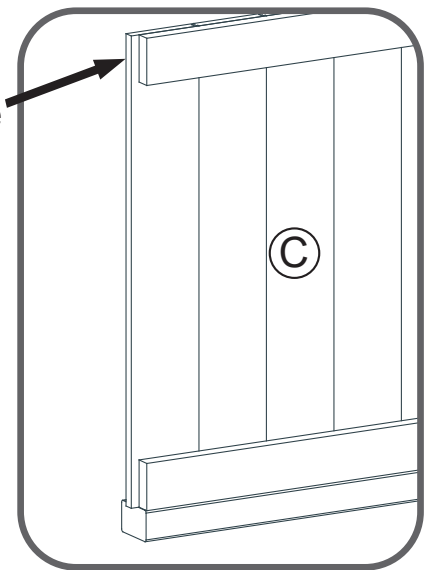
Hardware

16x CC(Wood Screw)

Repeat 2 times



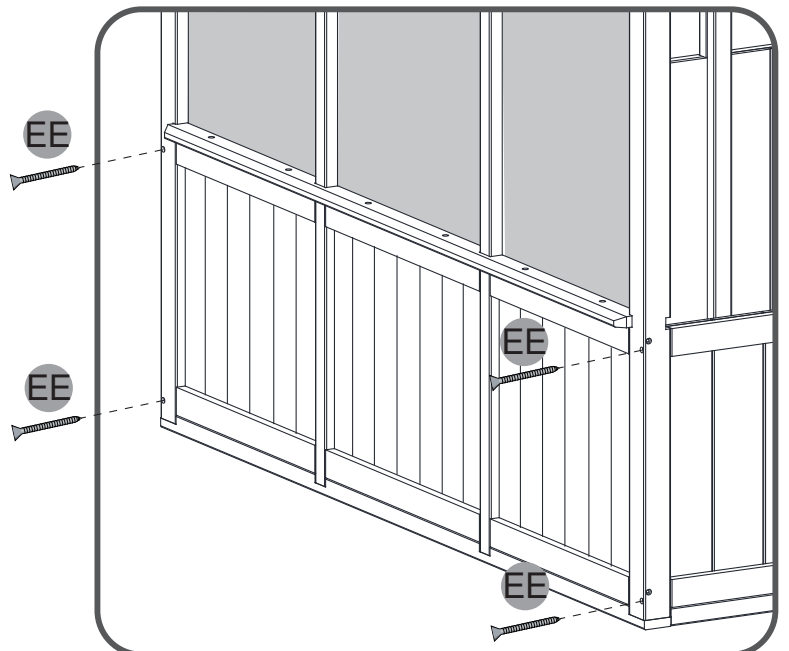
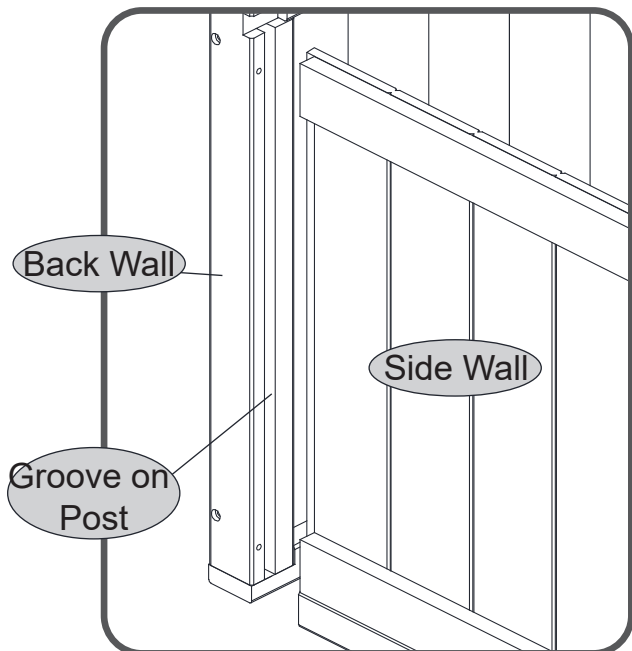
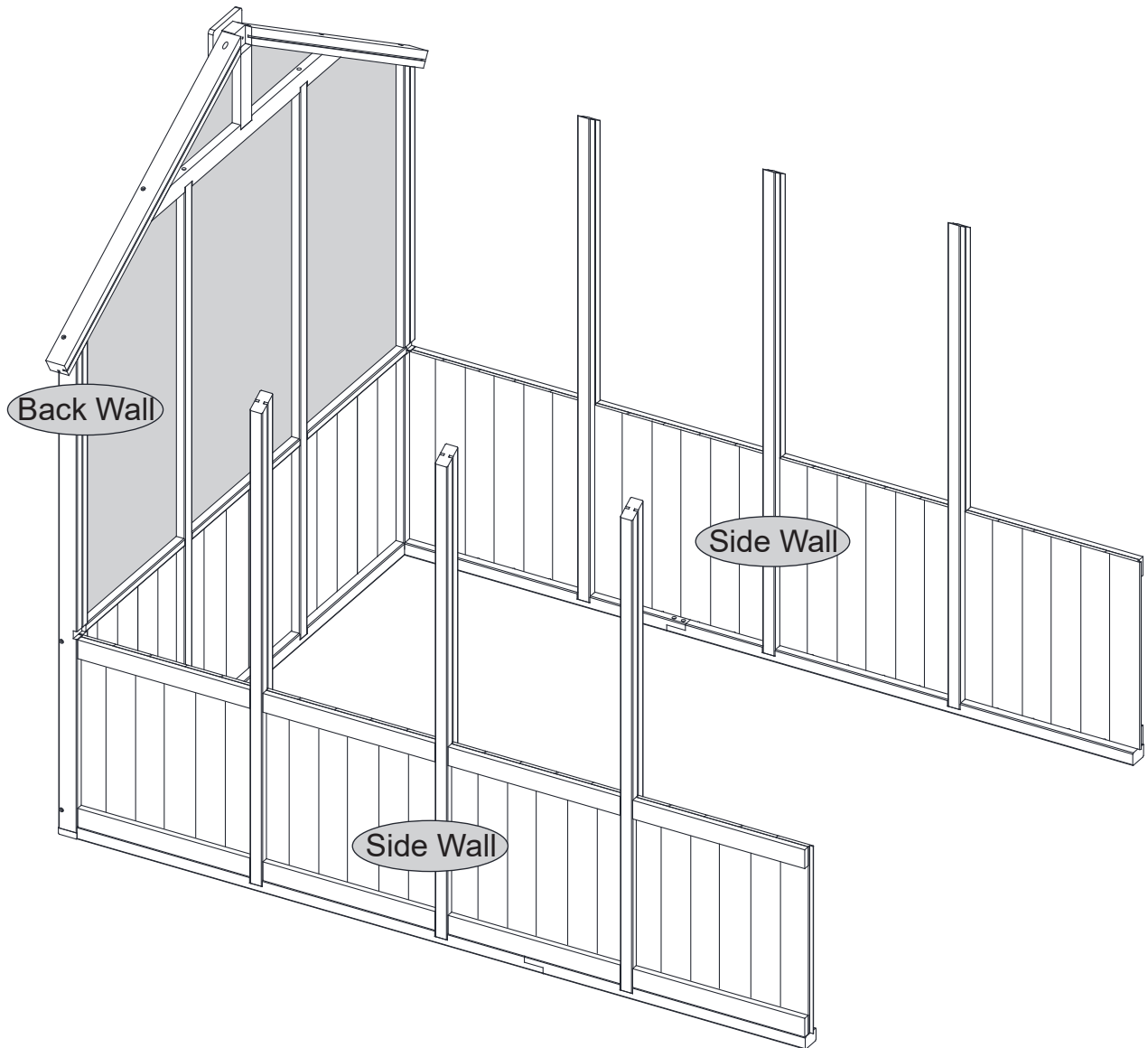
Note: The tongue of the side panels overhangs from the side base.



Step 17 Connect Wall Assembly 1

Hardware

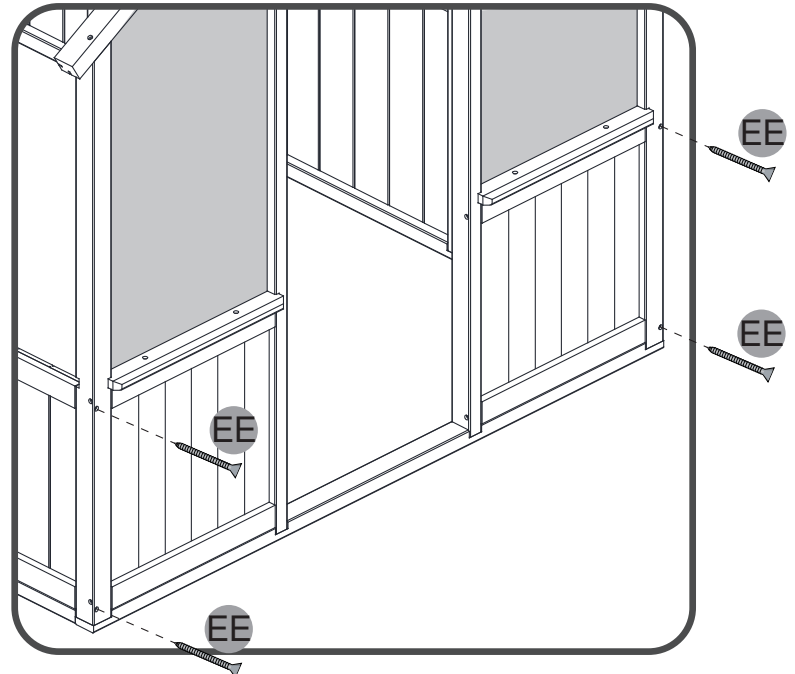
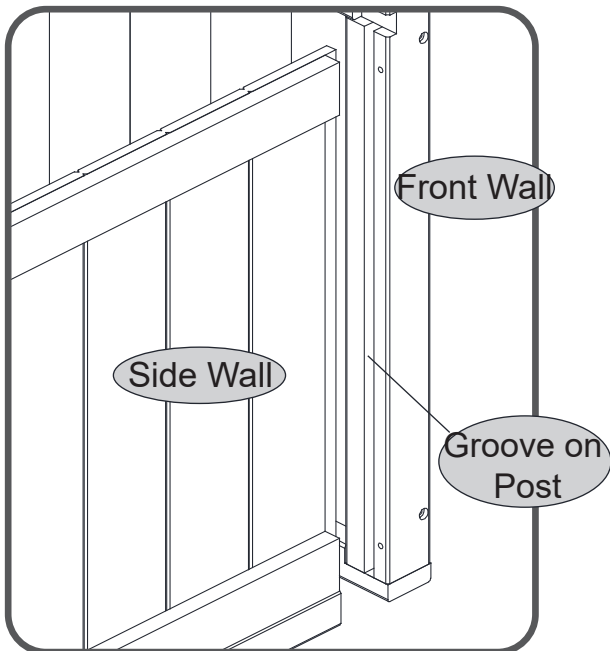
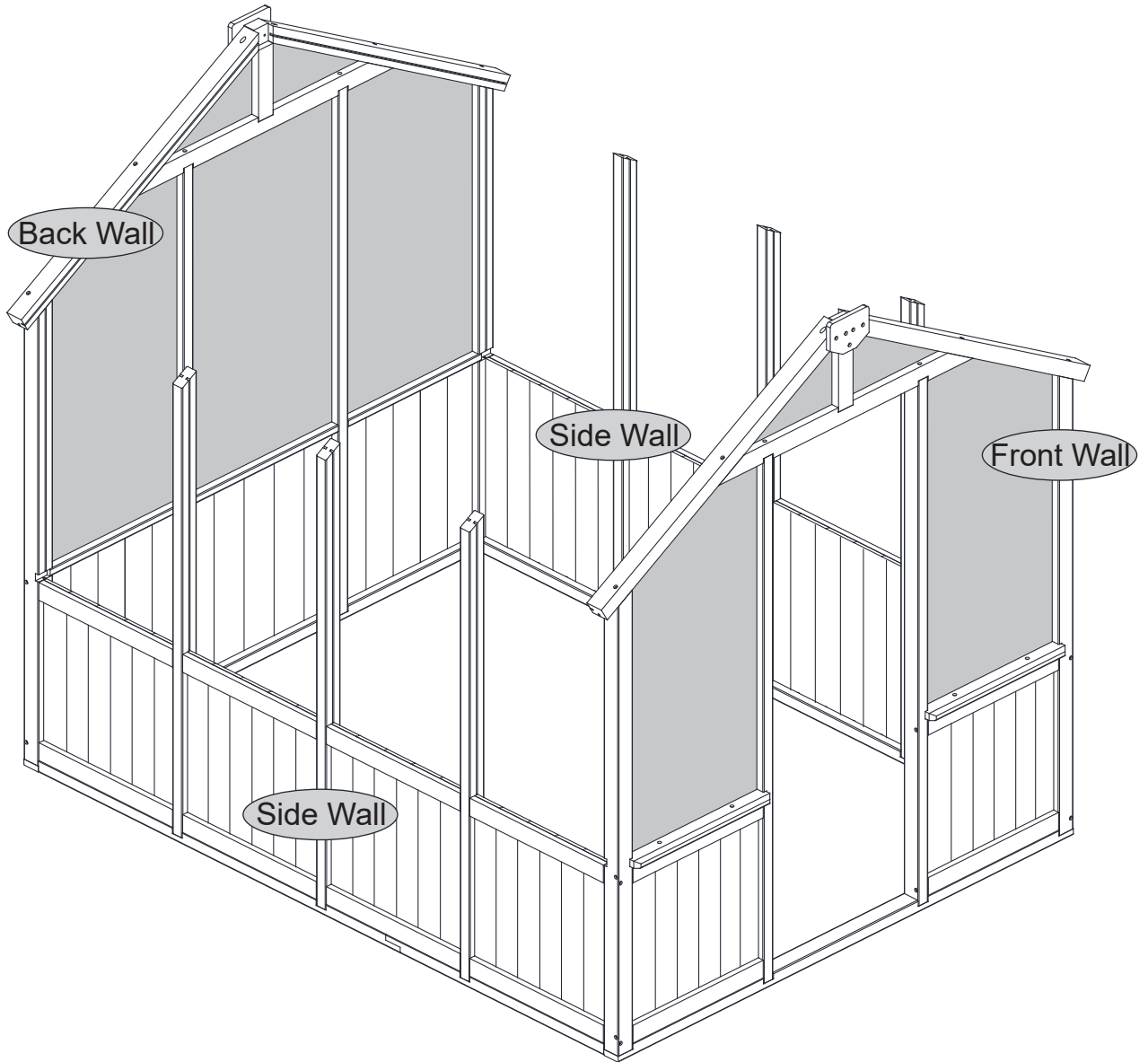
4x EE(Wood Screw)



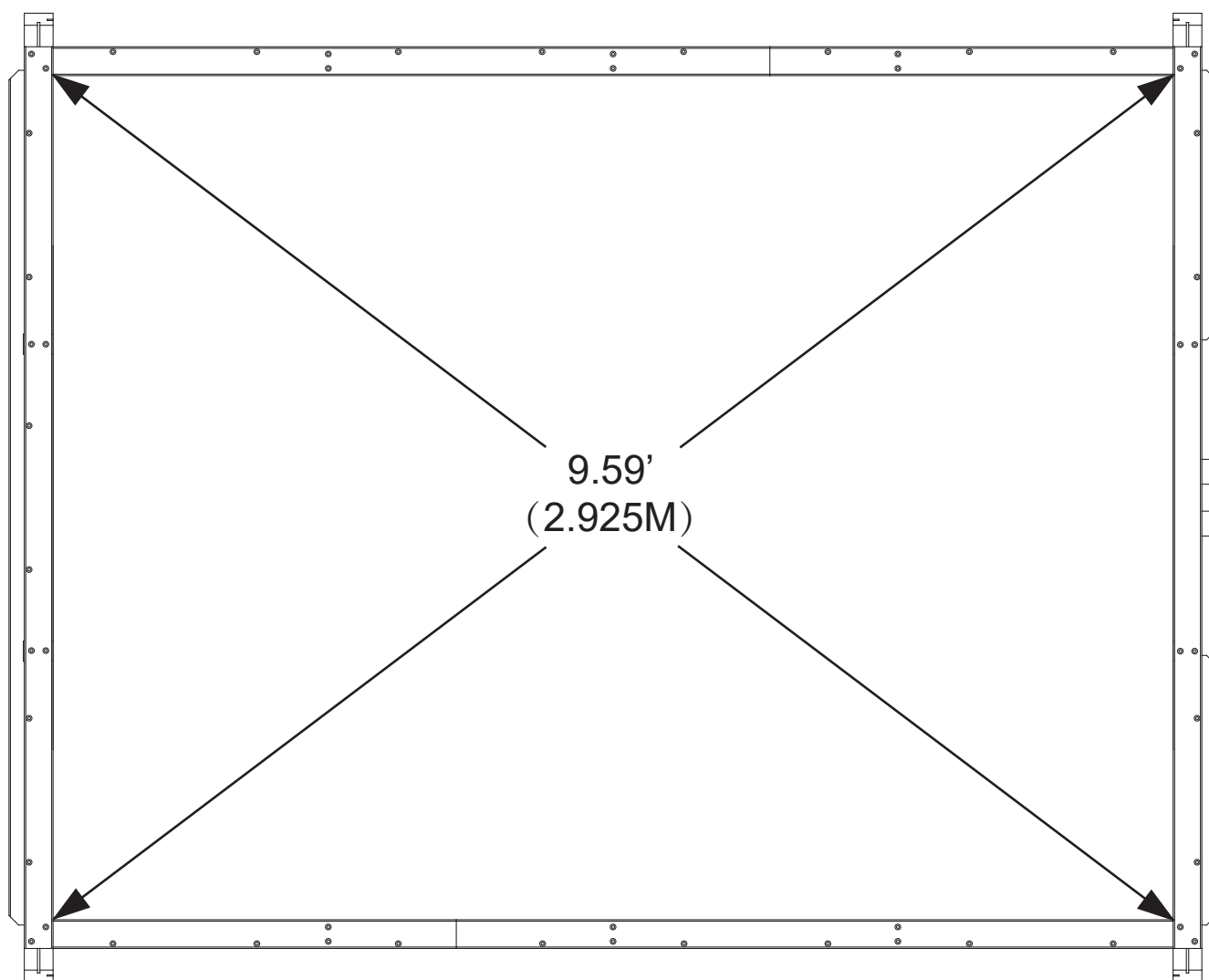
Step 18 Connect Wall Assembly 2

Hardware

4x EE(Wood Screw)



Step19 Connect Wall Assembly 3



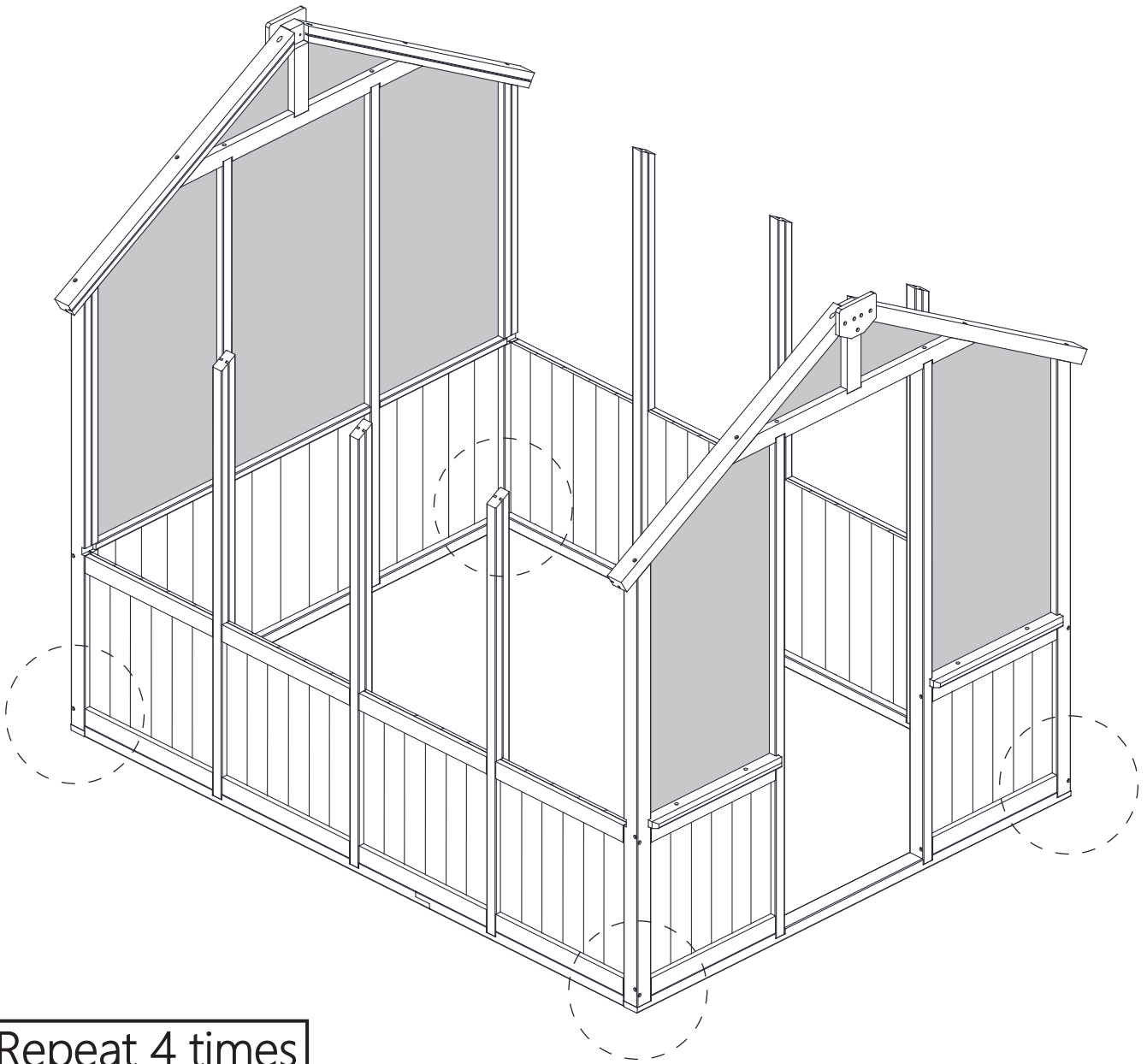
NOTE: Make sure the assembly is square and the diagonal distance from the inside of one post to the inside of the opposite post is 9.59'(2.925 m).

Step 20 Attach Corner Brackets

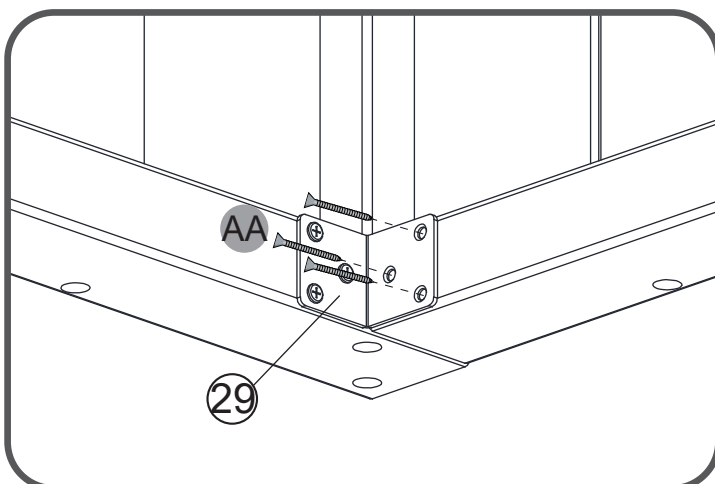
Hardware

24x AA(Wood Screw)

4x 29(Corner Bracket)



Repeat 4 times



Step 21 Attach Side Wall Sills

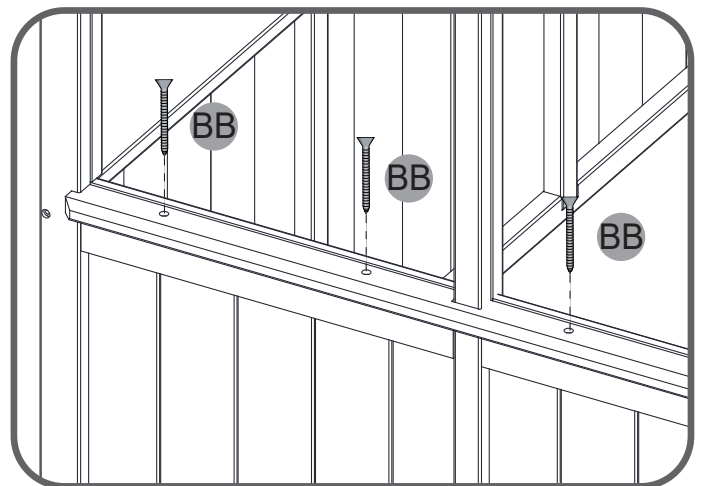
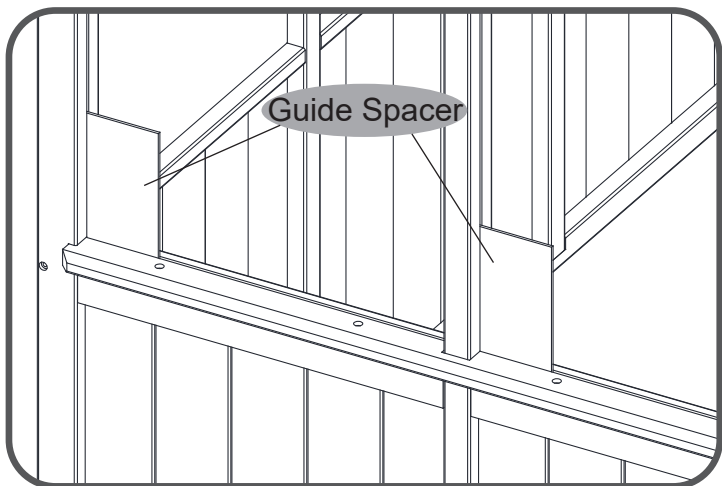
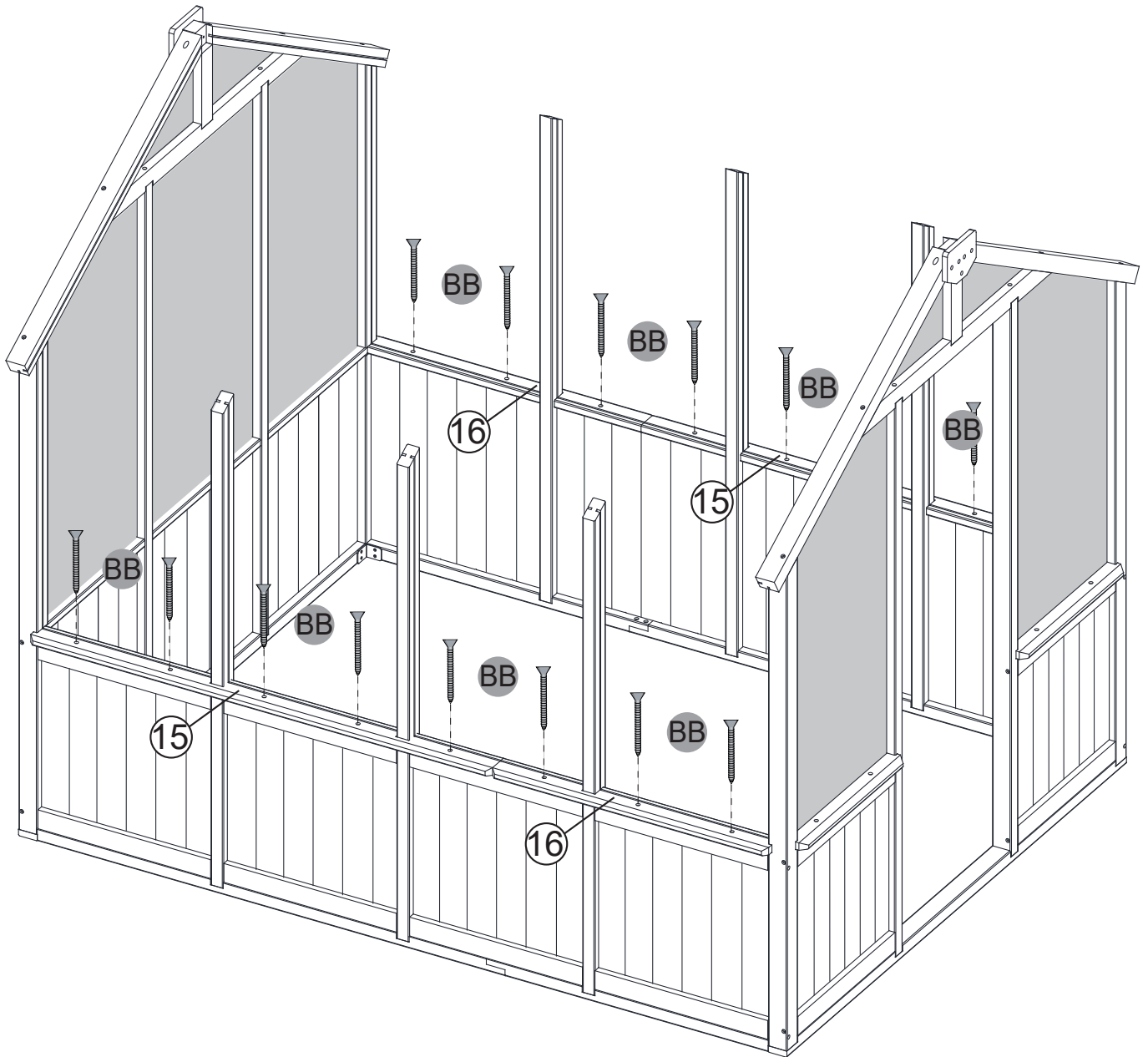
Wood Parts

2x15(Left Side Wall Sill)

2x16(Right Side Wall Sill)

Hardware

16x BB(Wood Screw)



Step 22 Attach Side Wall Top

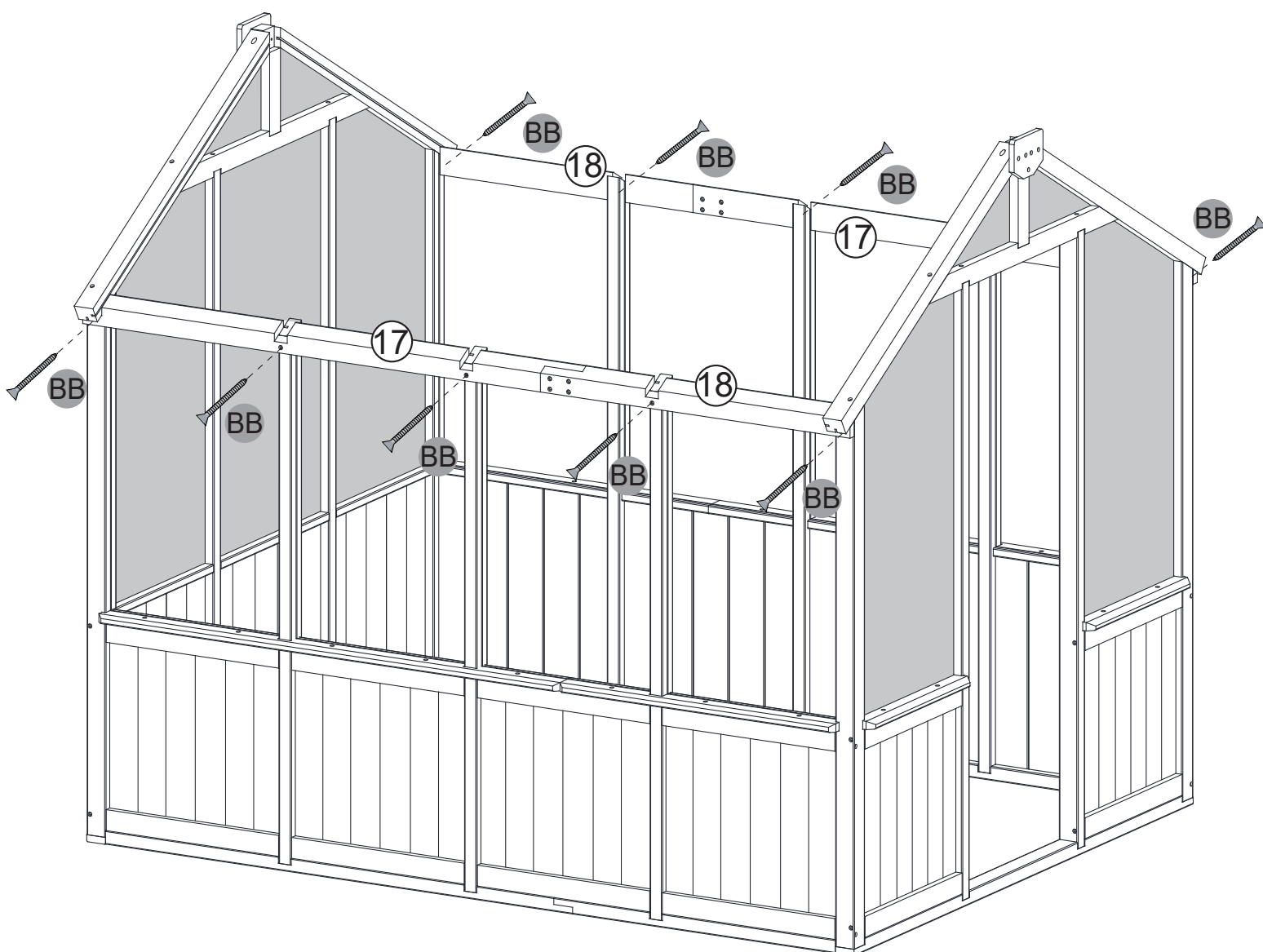
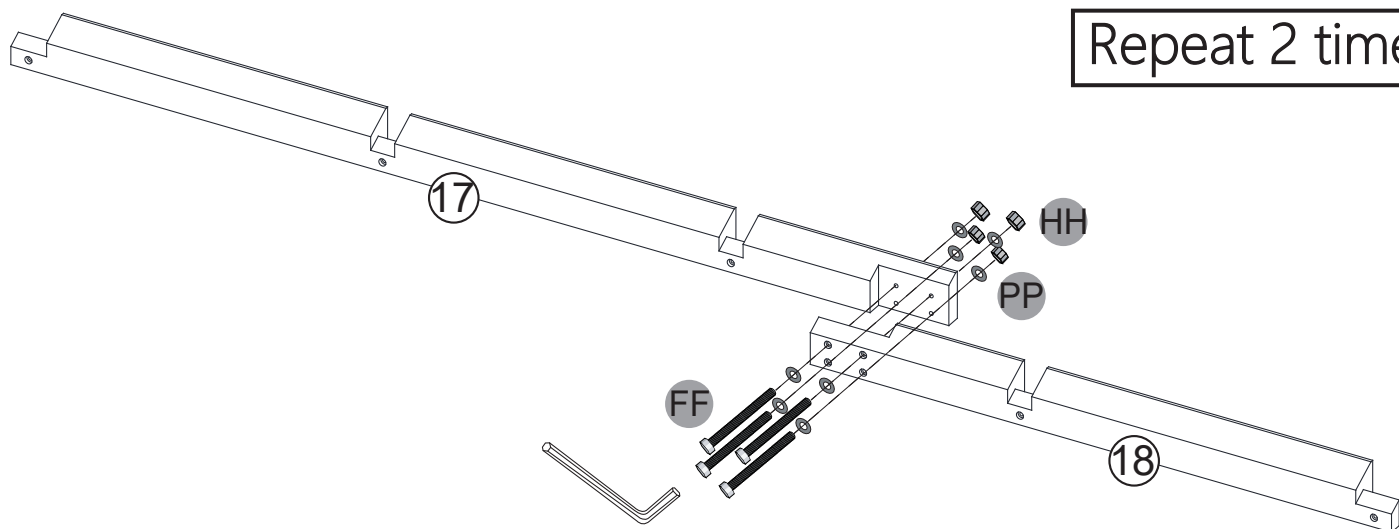
Wood Parts

2x17(Left Side Wall Top)
2x18(Right Side Wall Top)

Hardware

8x FF(Bolt)
16x PP(Washer)
8x HH(Nut)
10x BB(Wood Screw)

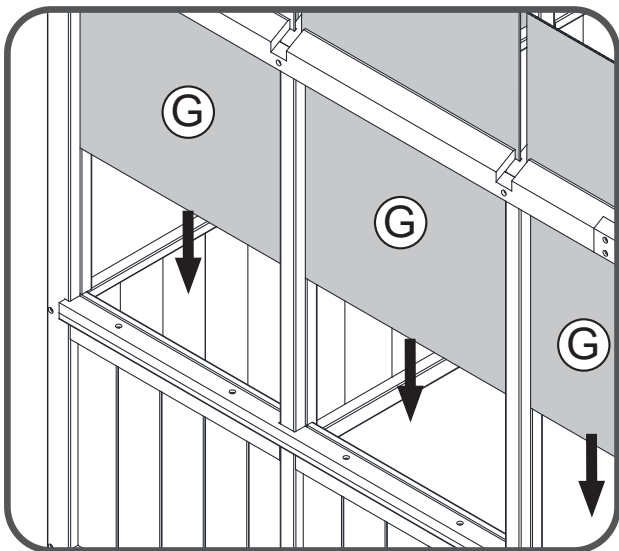
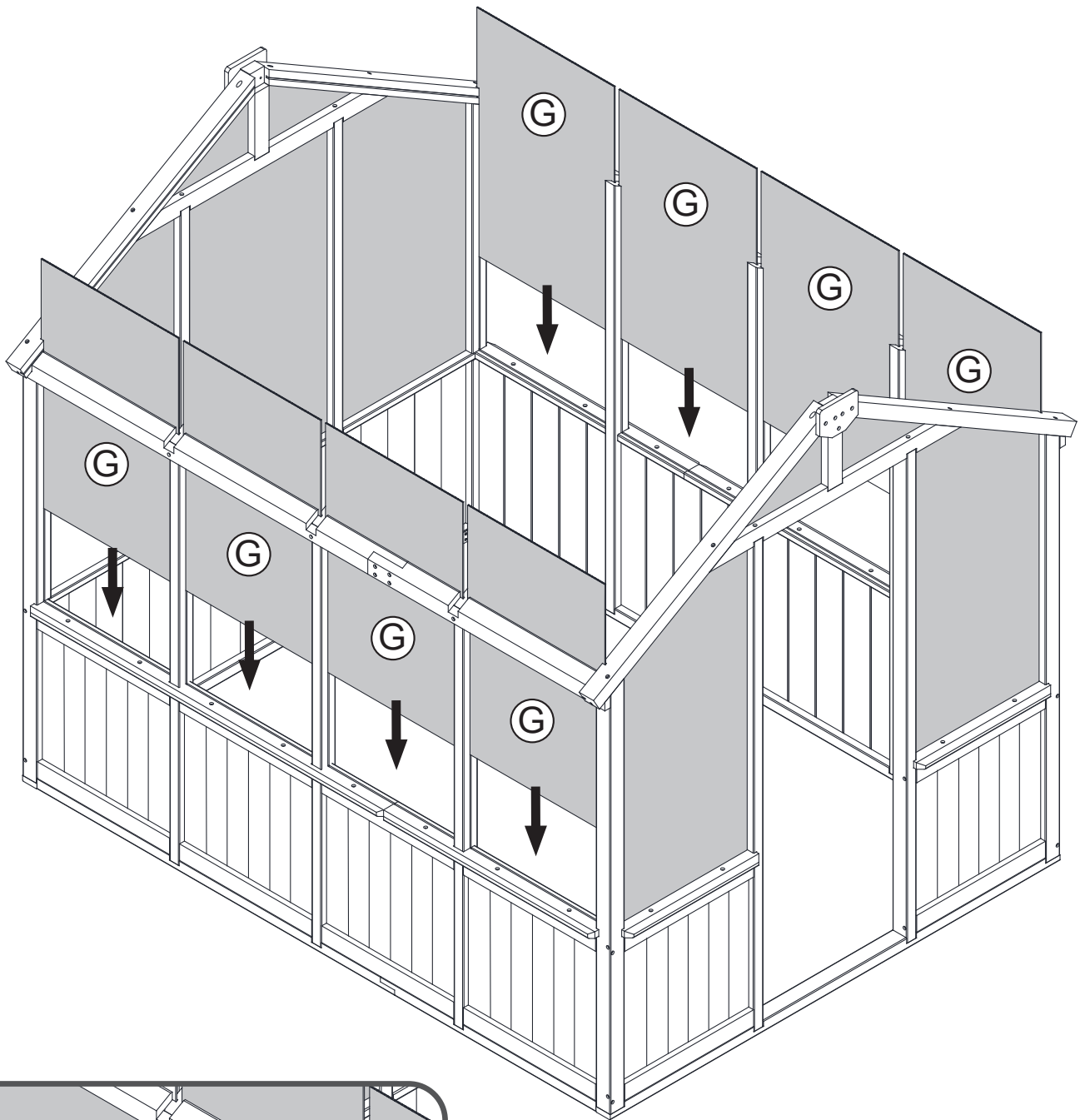
Repeat 2 times



Step 23 Side Wall Panel Assembly 1

Polycarbonate Board

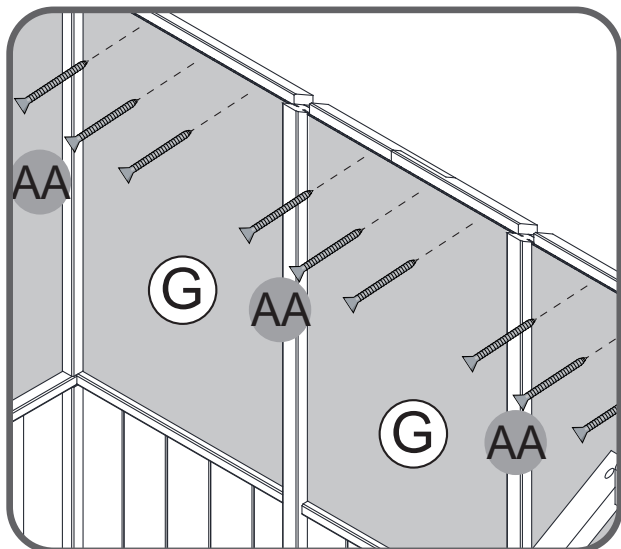
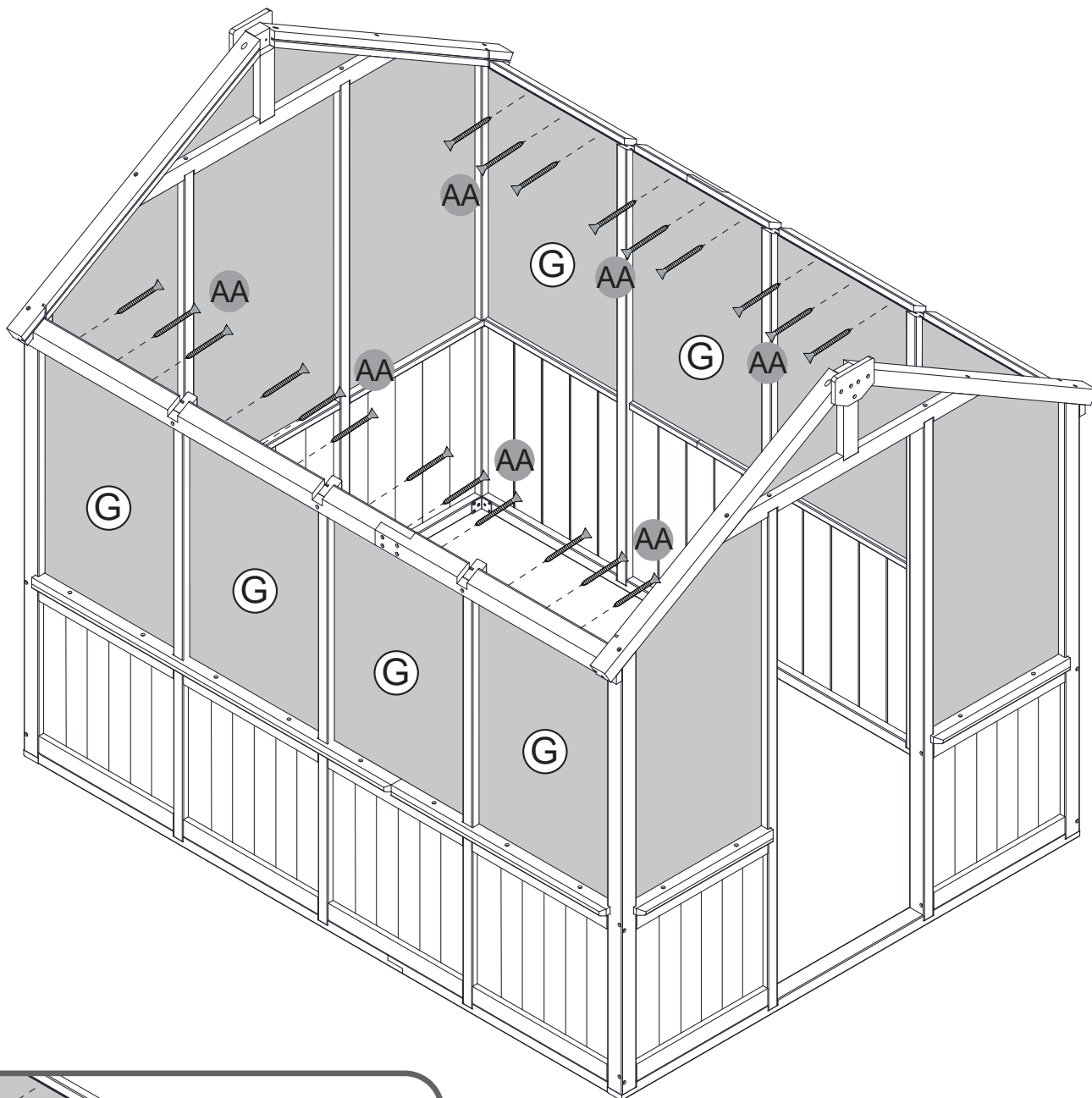
8x G



Step 24 Side Wall Panel Assembly 2

Hardware

24x AA(Wood Screw)



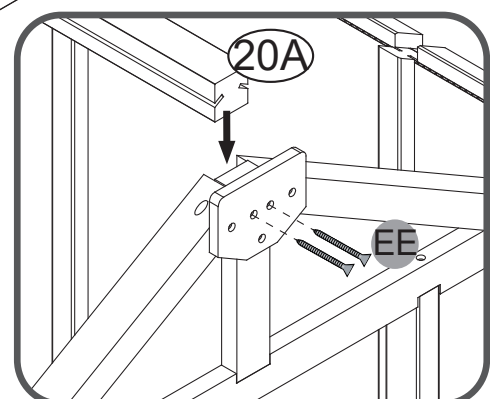
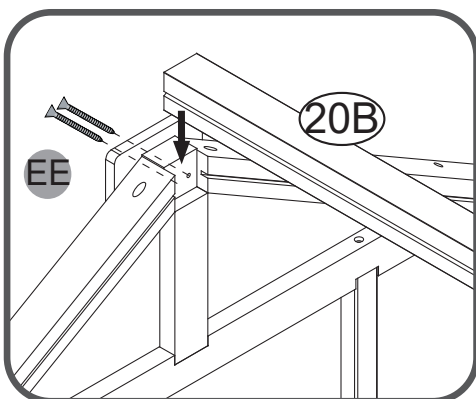
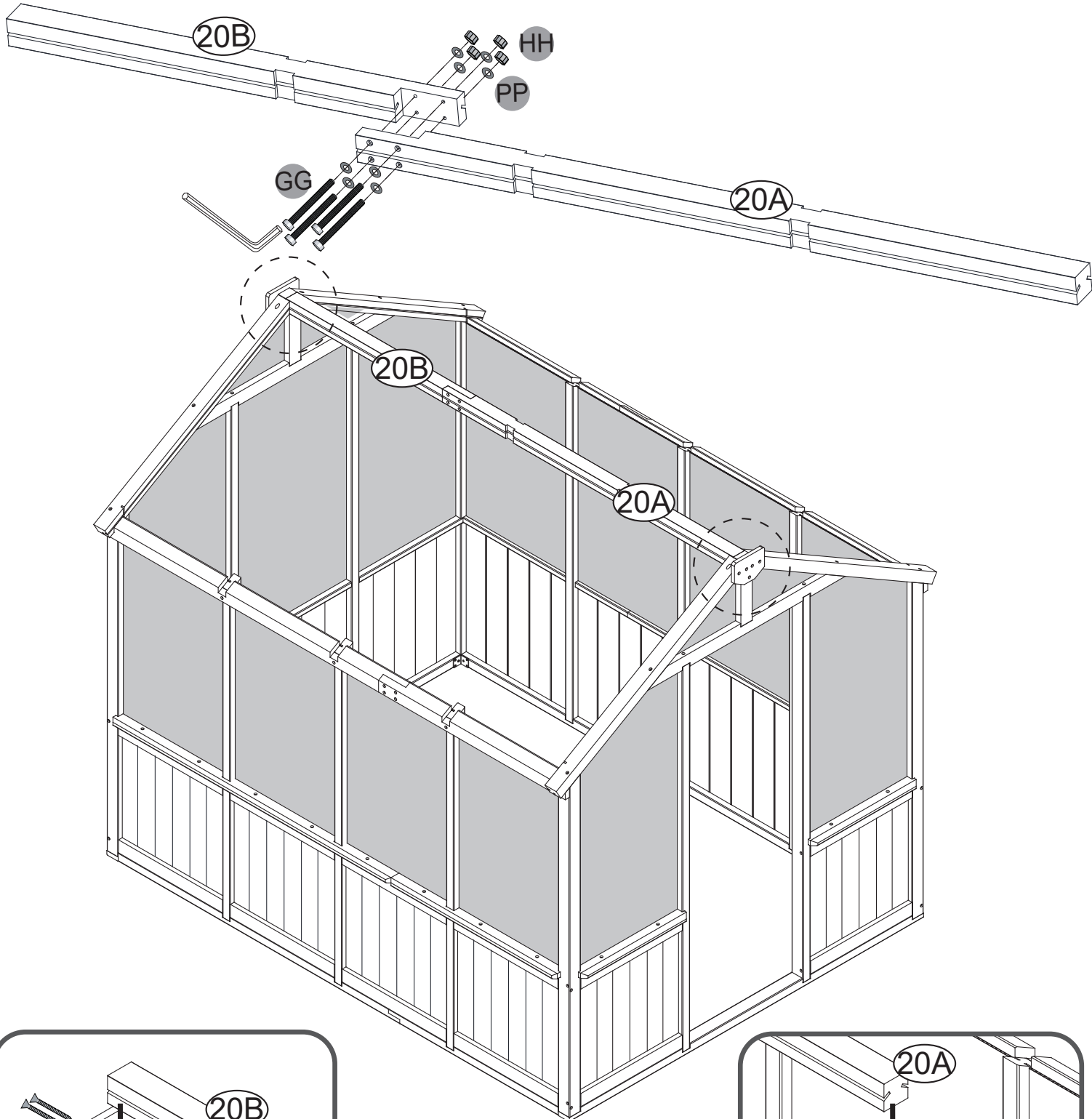
Step 25 Roof Peak Assembly

Wood Parts

- 1x 20A (Left Roof Peak)
- 1x 20B (Right Roof Peak)

Hardware

- 4x GG (Bolt)
- 8x PP (Washer)
- 4x HH (Nut)
- 4x EE (Wood Screw)



Step 26 Roof Rafter Assembly

Wood Parts

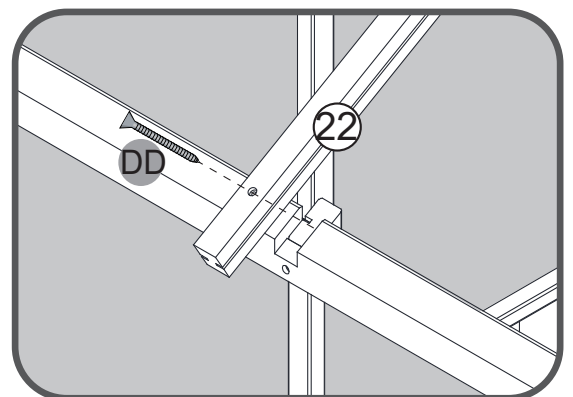
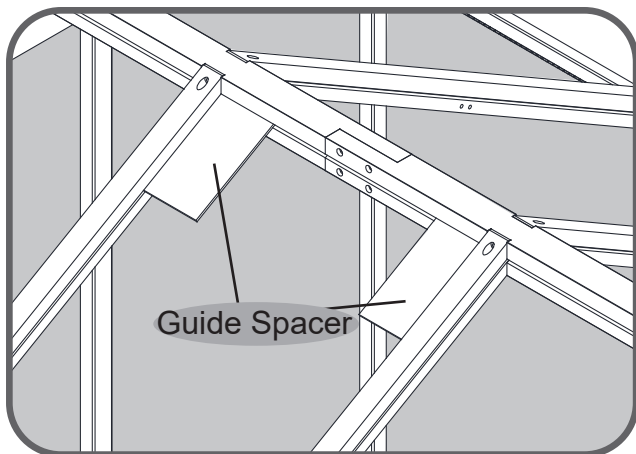
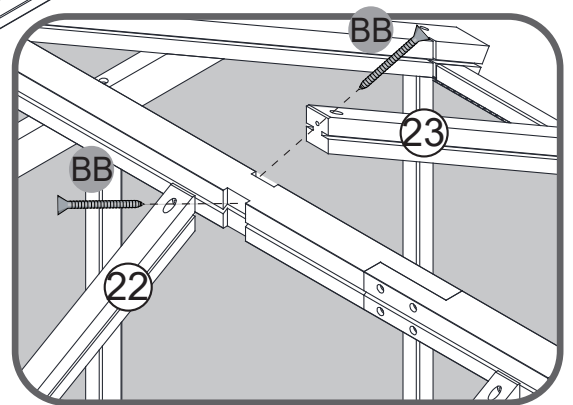
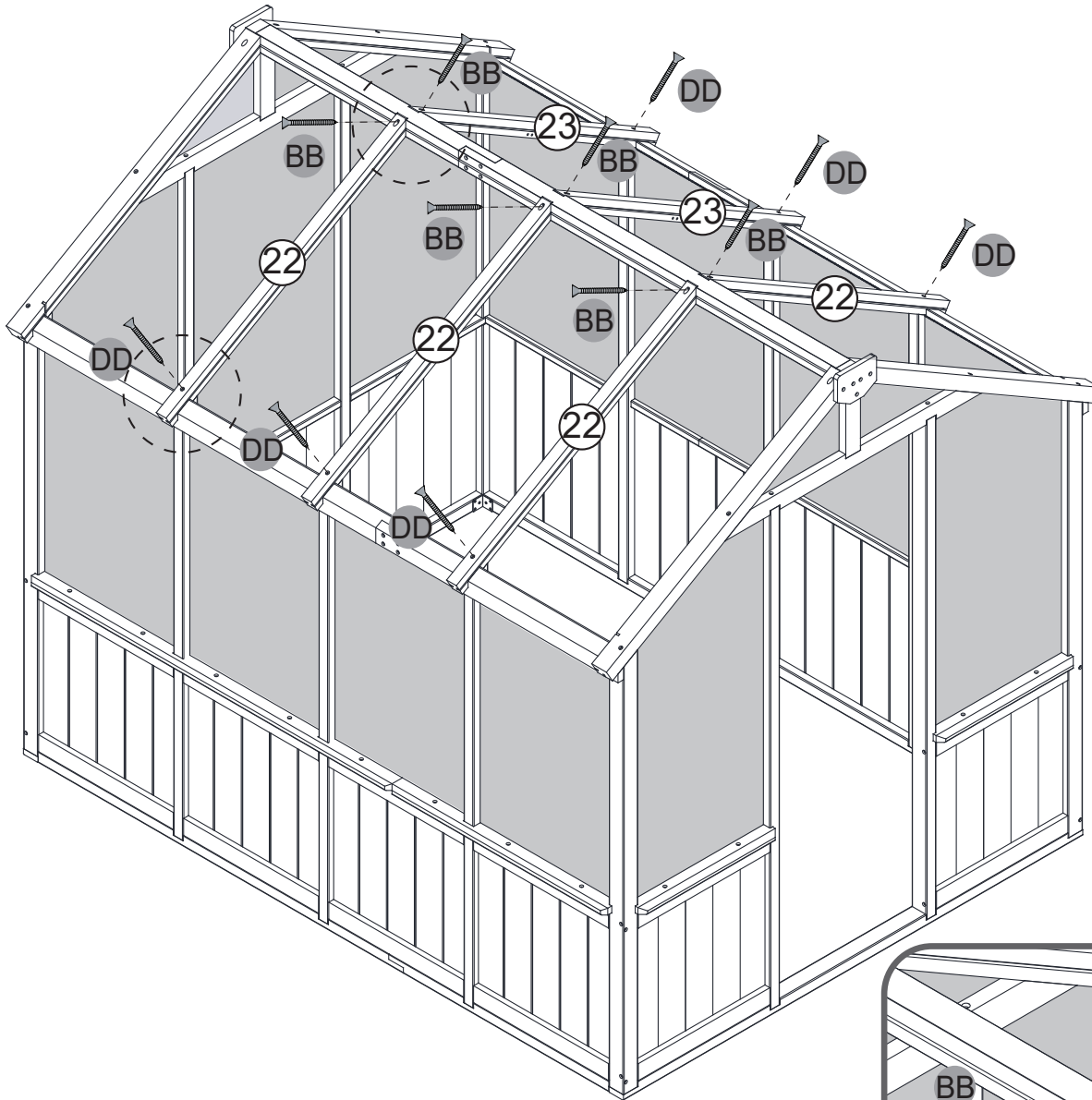
4x 22(Middle Roof Rafter)

2x 23(Window Roof Rafter)

Hardware

6x BB(Wood Screw)

6x DD(Wood Screw)



Step 27 Window Assembly 1

Wood Parts

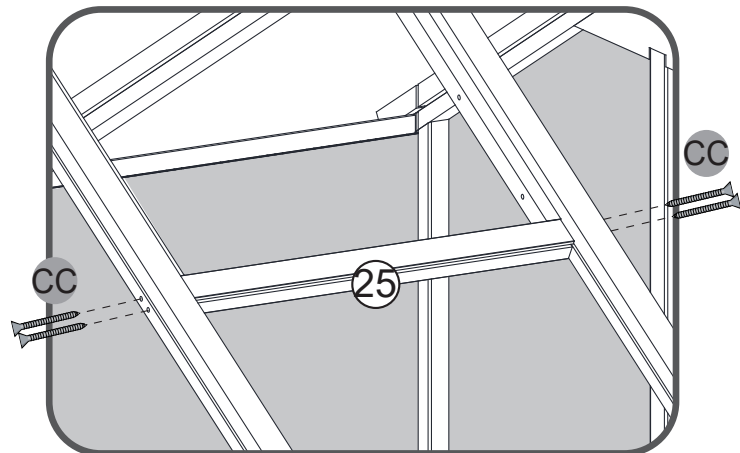
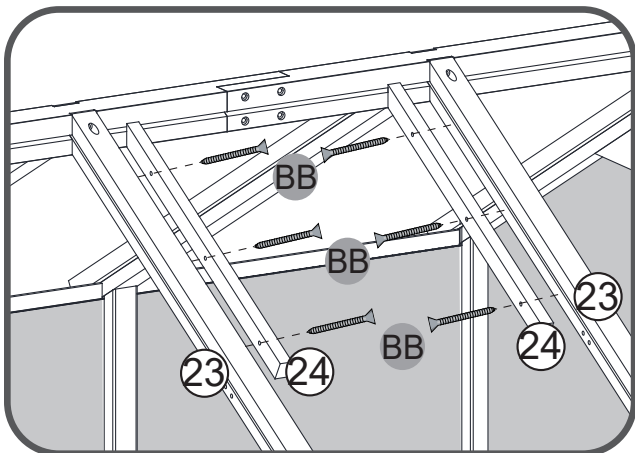
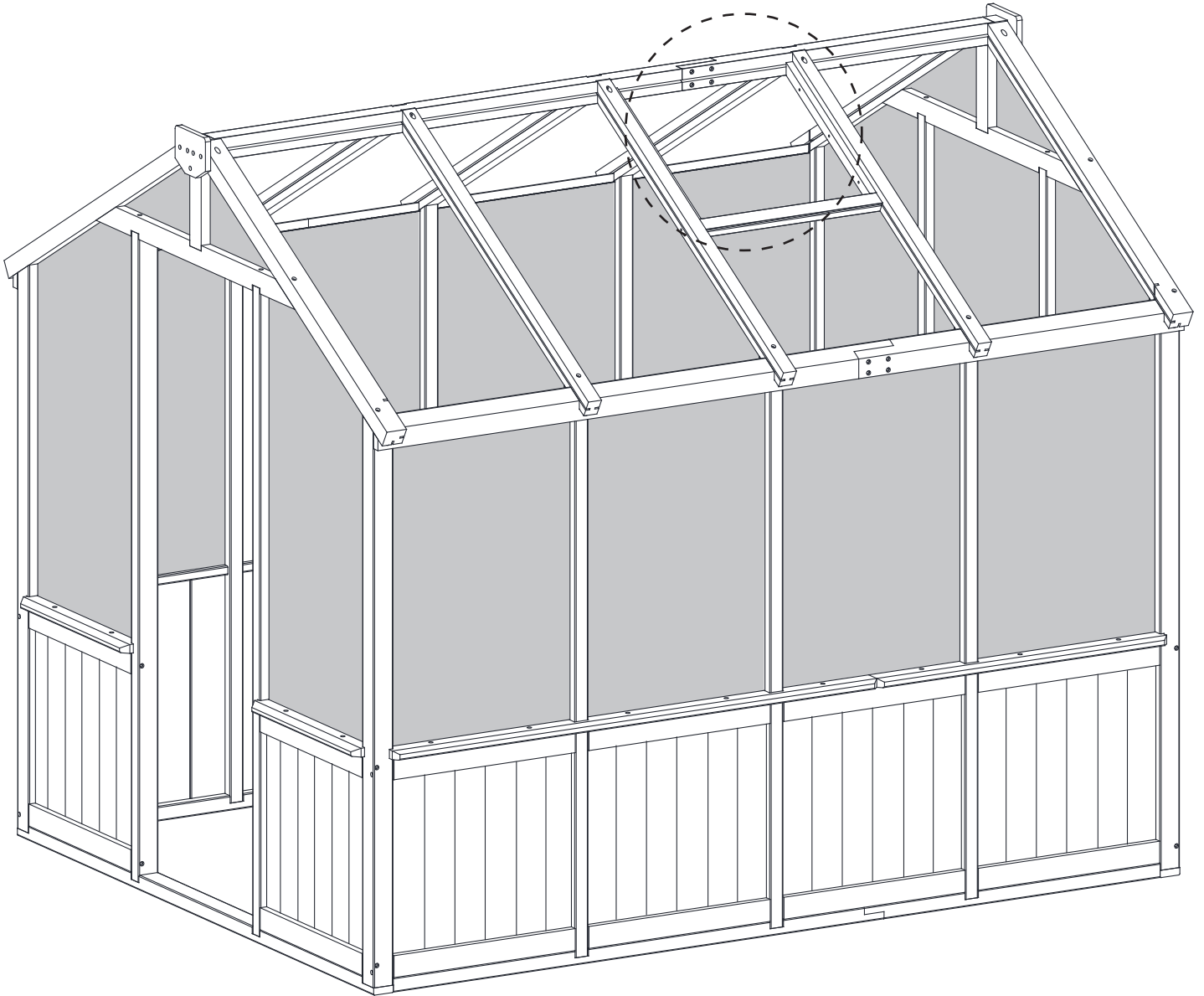
2x 24(Side Vent Block)

1x 25(Bottom Vent Block)

Hardware

6x BB(Wood Screw)

4x CC(Wood Screw)



Step 28 Window Assembly 2

Wood Parts

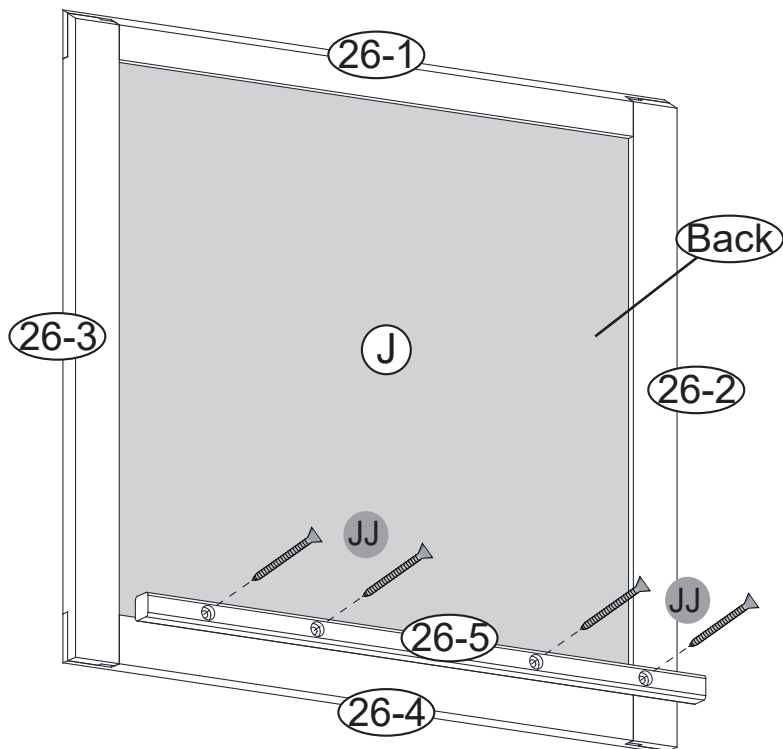
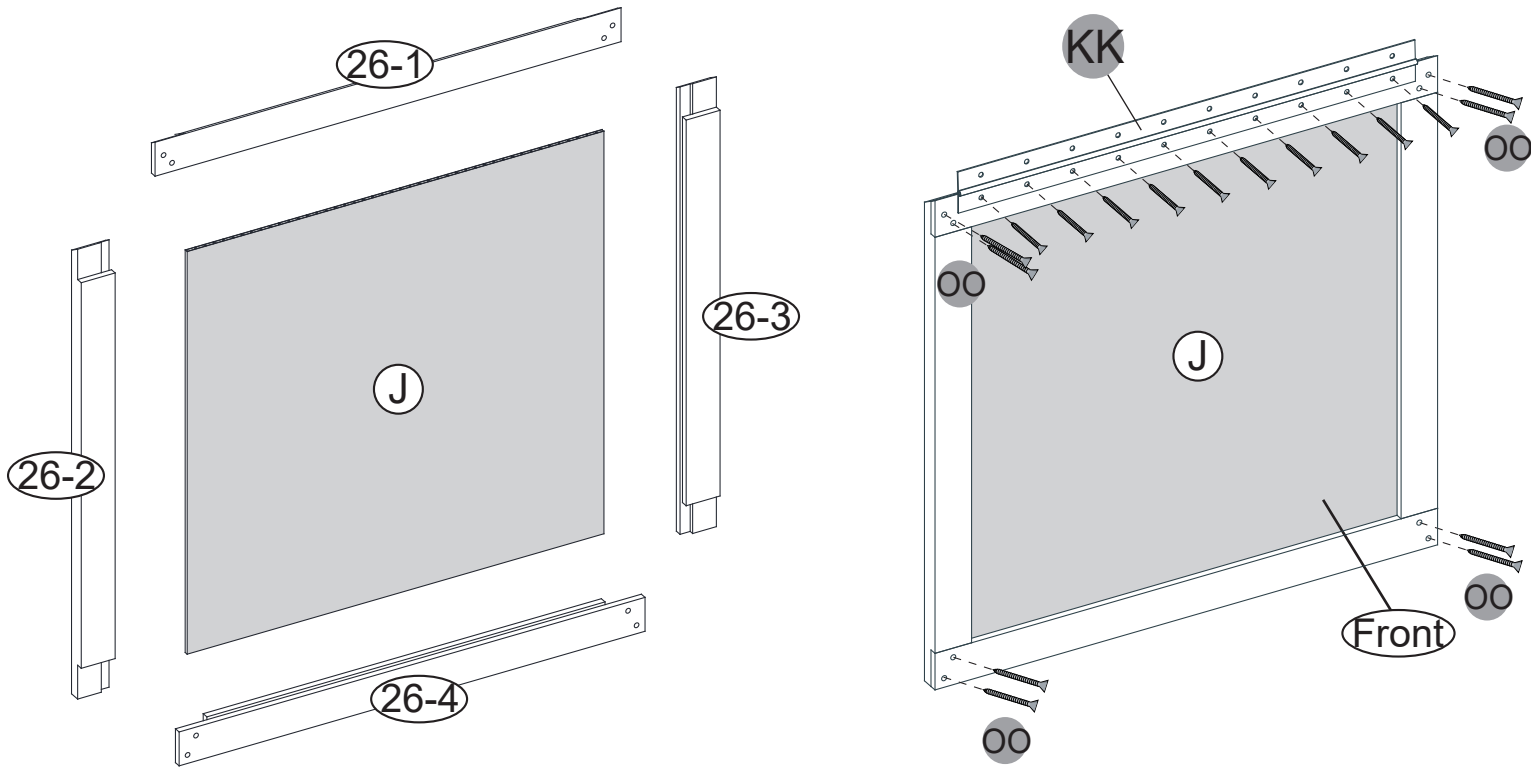
- 1x 26-1(Window-1)
- 1x 26-2(Window-2)
- 1x 26-3(Window-3)
- 1x 26-4(Window-4)
- 1x 26-5(Window-5)

Polycarbonate Board

- 1x J

Hardware

- 8x OO(Wood Screw)
- 4x JJ(Wood Screw)
- 1x KK(Window Long Hinge With Screw)



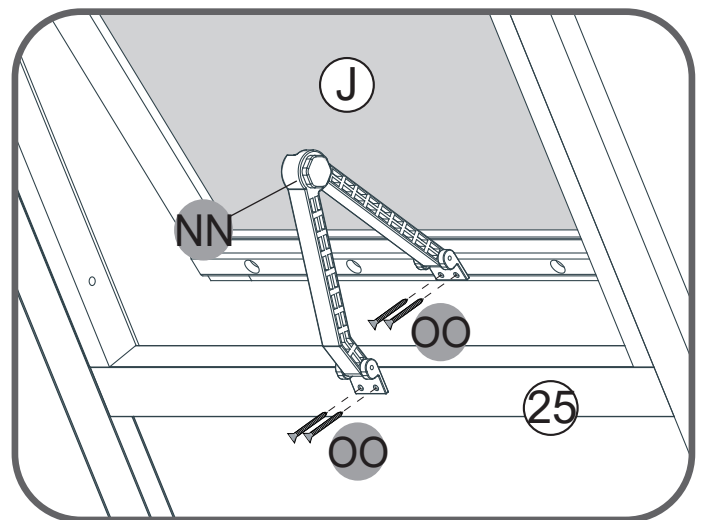
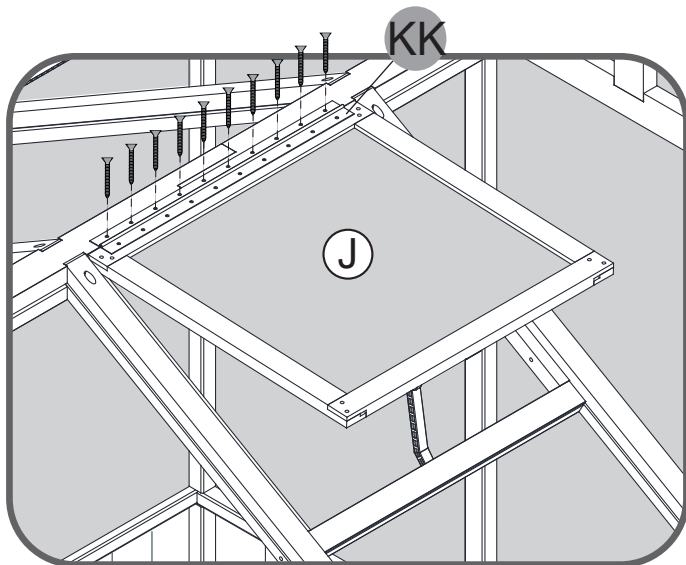
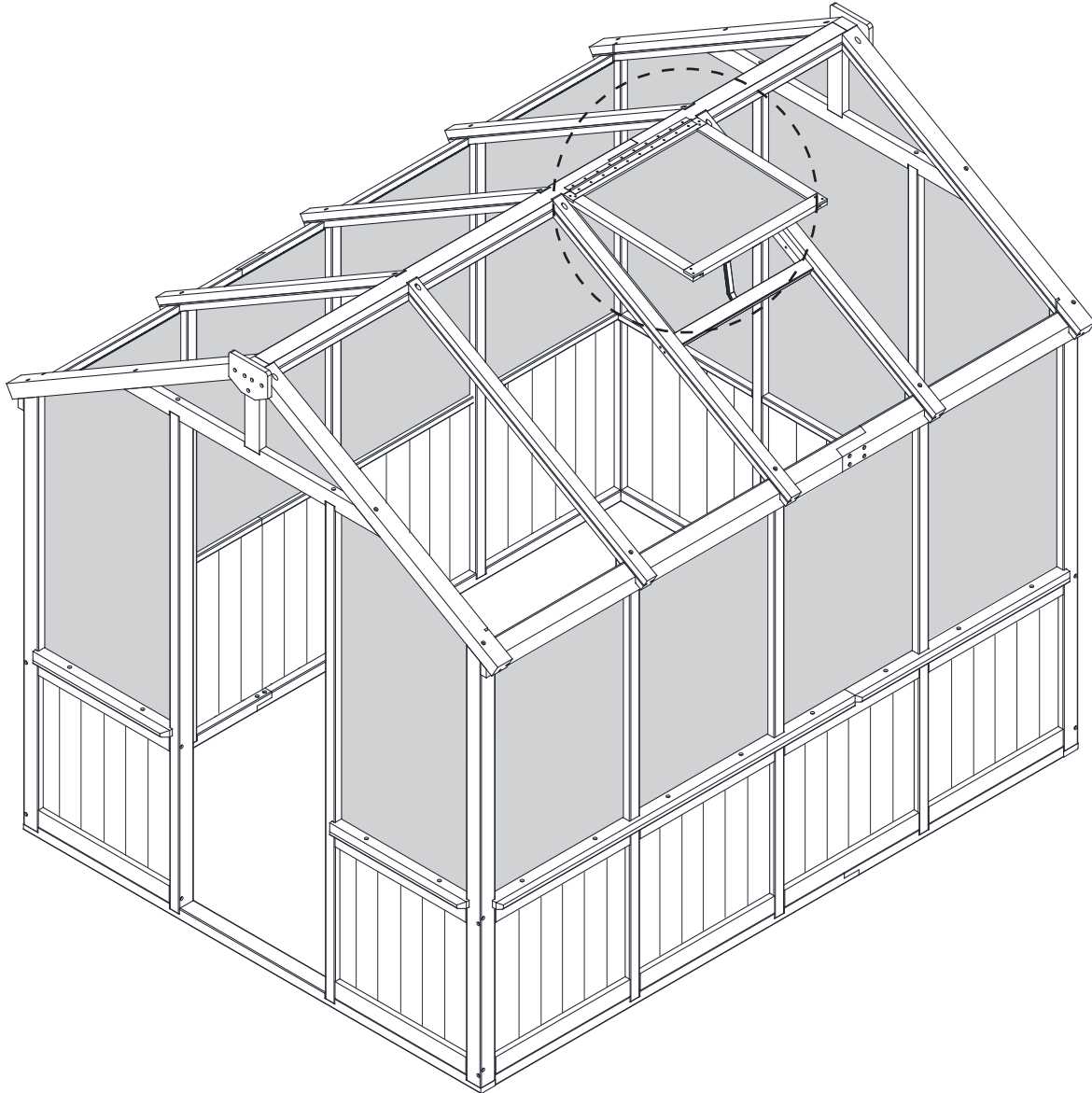
Step29 Window Assembly 3

Hardware

1x KK(Window Long Hinge With Screw)

1x NN(Window Support)

4x OO(Wood Screw)

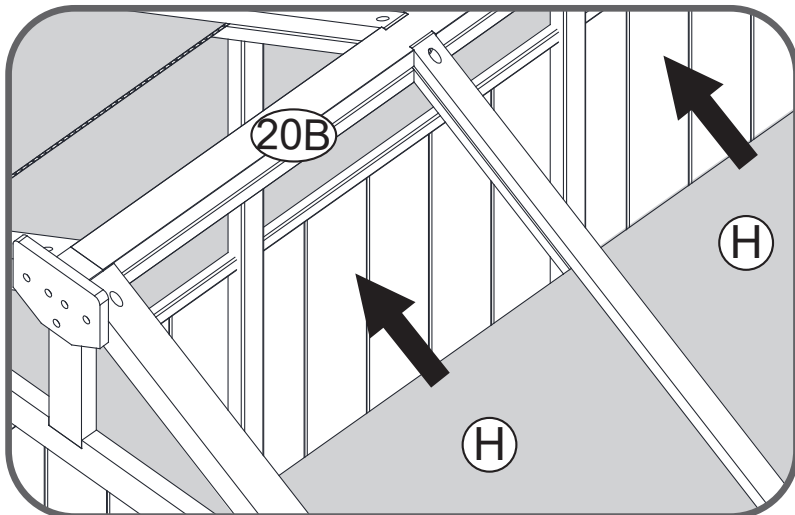
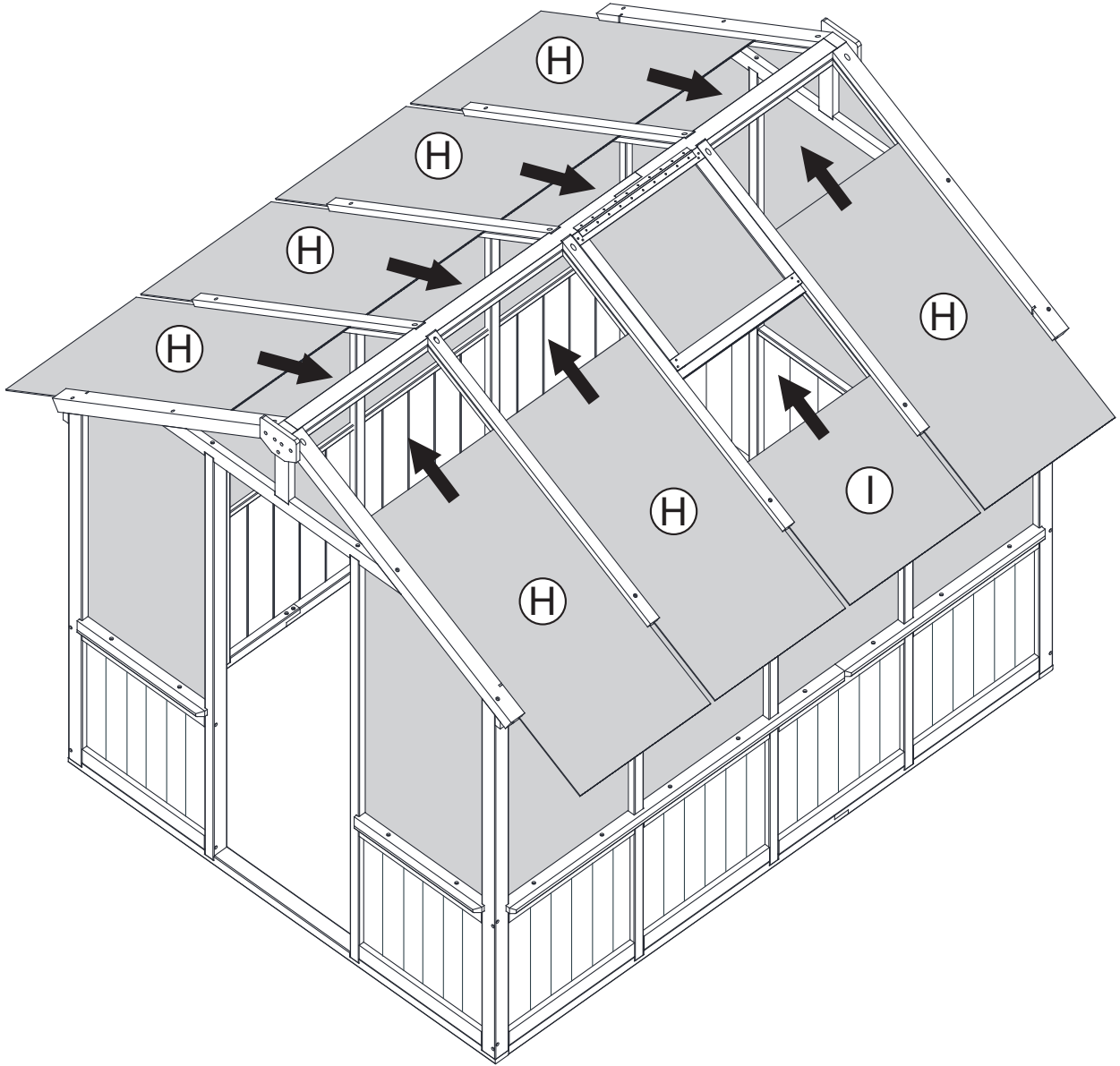


Step30 Roof Panel Assembly 1

Polycarbonate Board

7x H

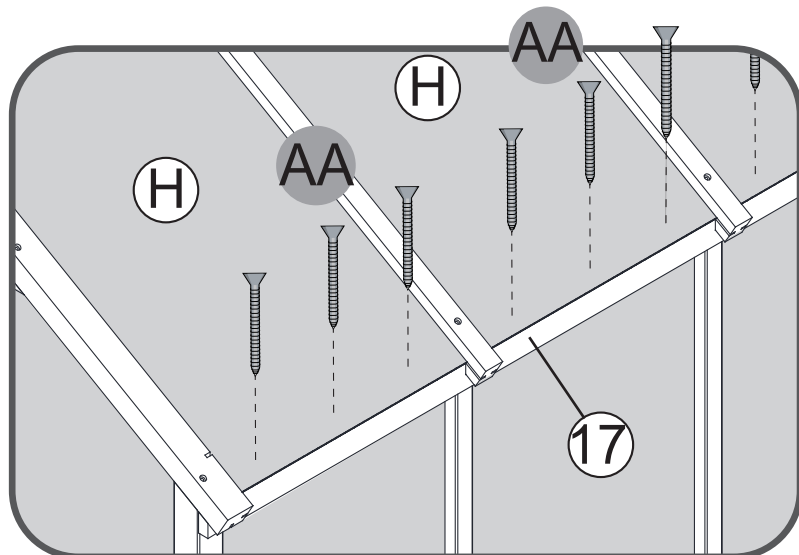
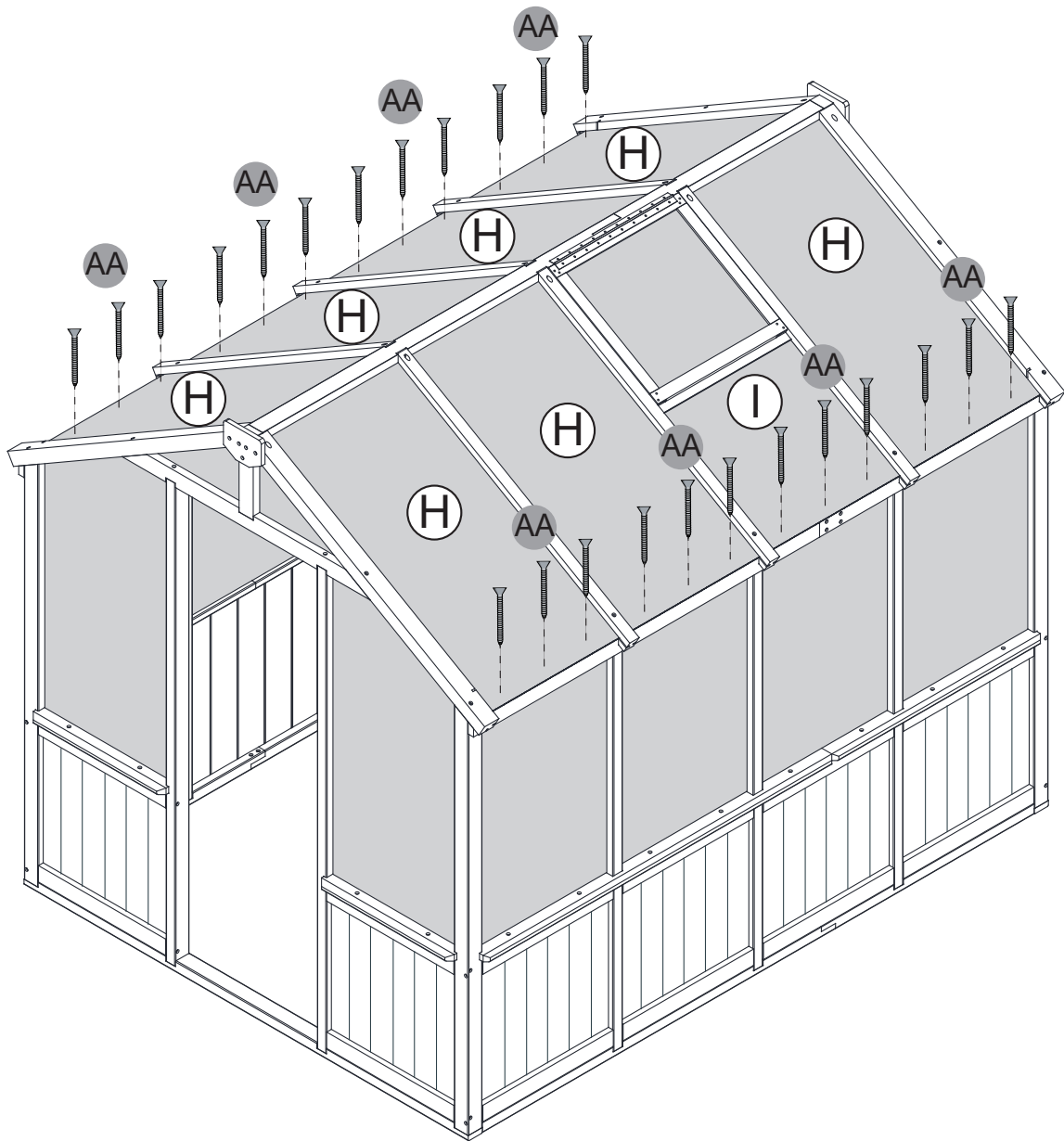
1x I



Step31 Roof Panel Assembly 2

Hardware

24x AA(Wood Screw)



Step32 Attach Roof Brackets

Wood Parts

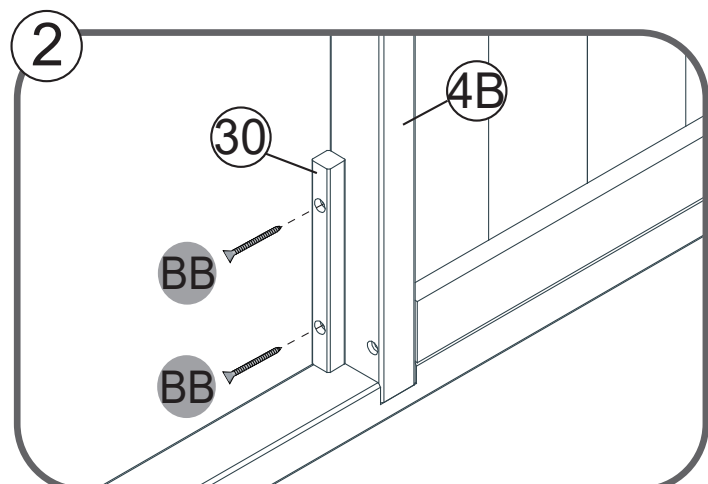
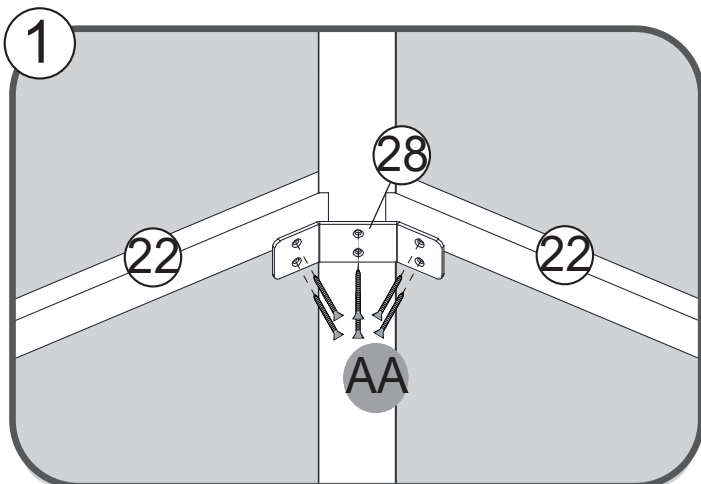
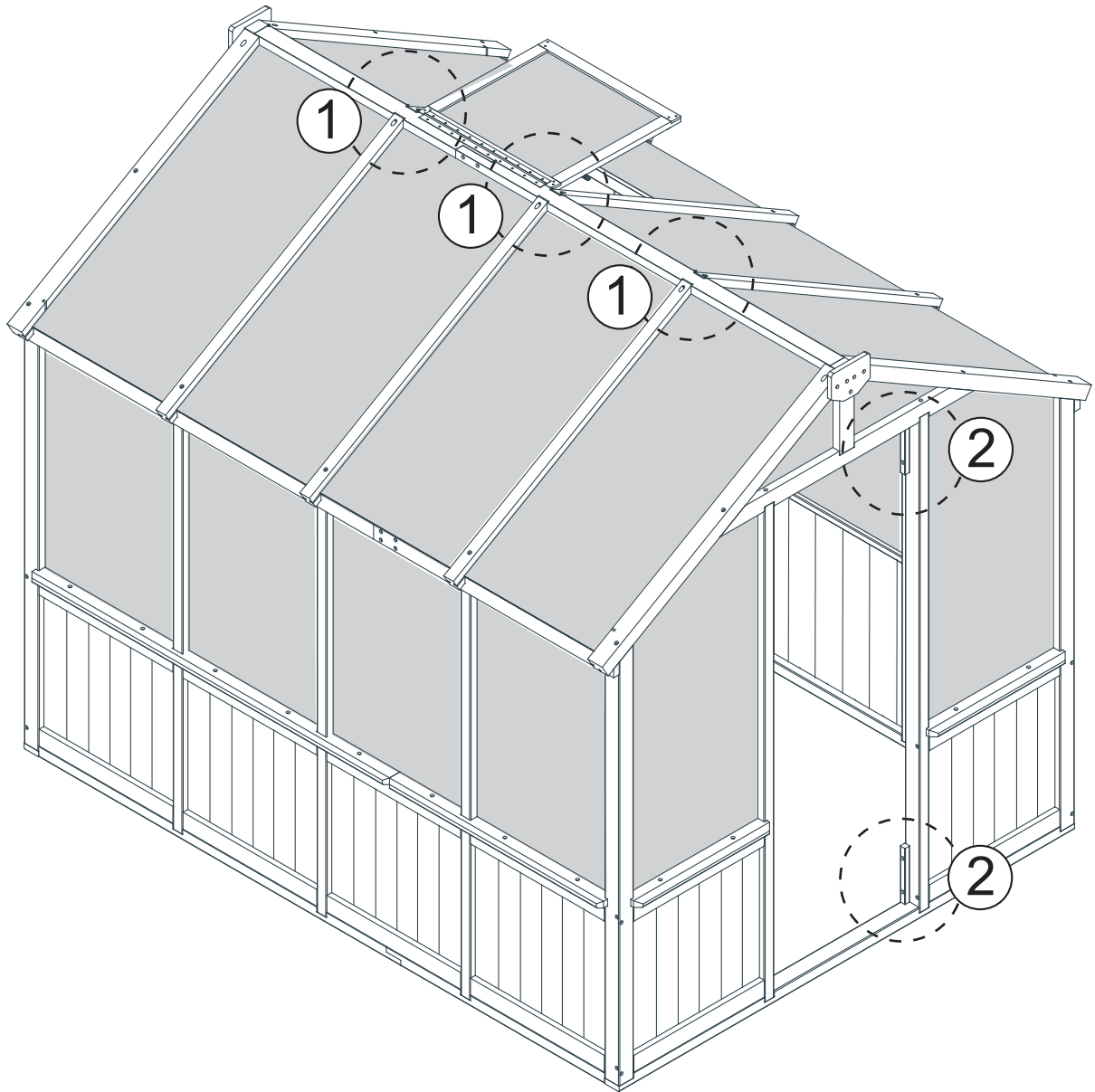
2x 30(Door Block)

Hardware

18x AA(Wood Screw)

4x BB(Wood Screw)

3x 28(Roof Bracket)



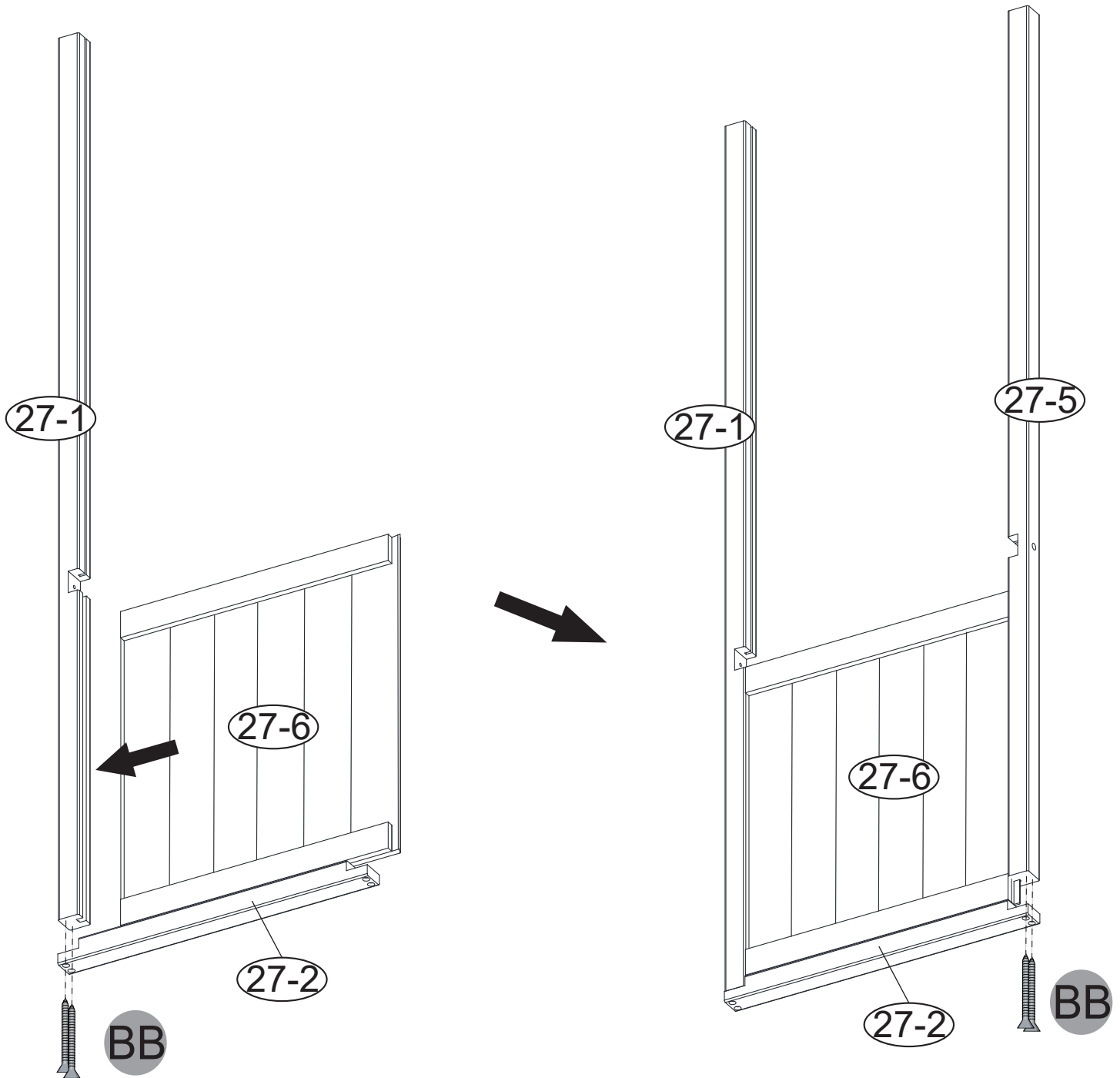
Step33 Door Assembly 1

Wood Parts

- 1x 27-1(Door-1)
- 1x 27-2(Door-2)
- 1x 27-5(Door-5)
- 1x 27-6(Door-6)

Hardware

- 4x BB(Wood Screw)



Step34 Door Assembly 2

Wood Parts

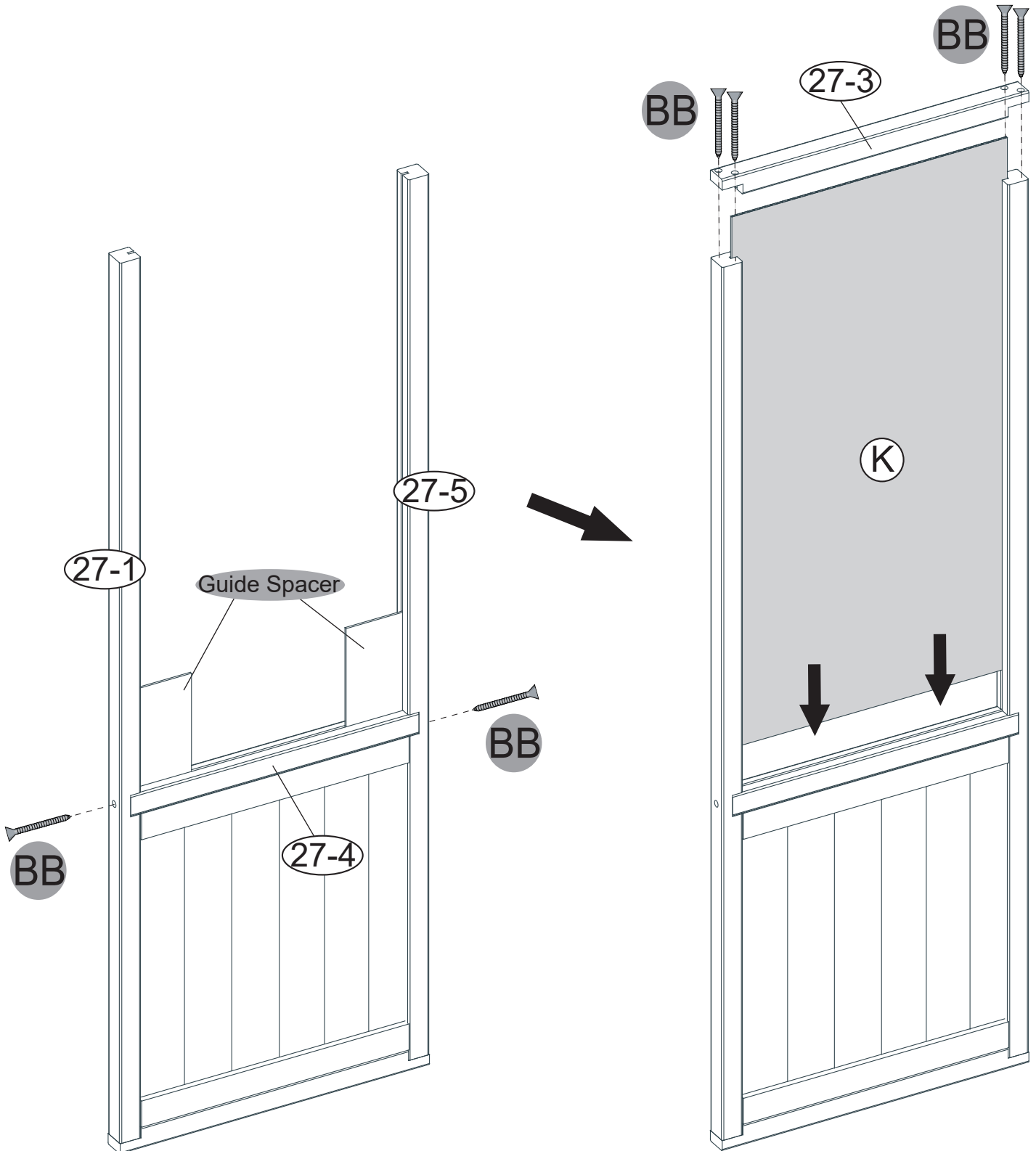
1x 27-3(Door-3)
1x 27-4(Door-4)

Polycarbonate Board

1x K

Hardware

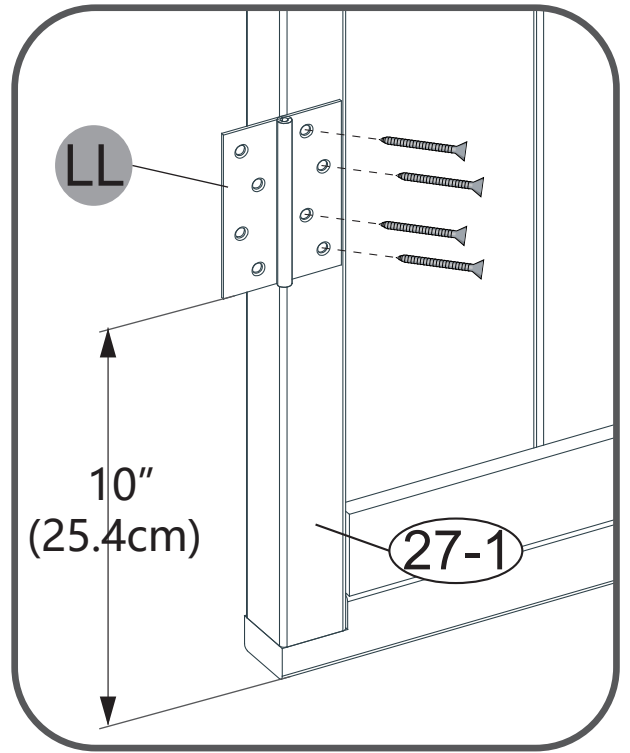
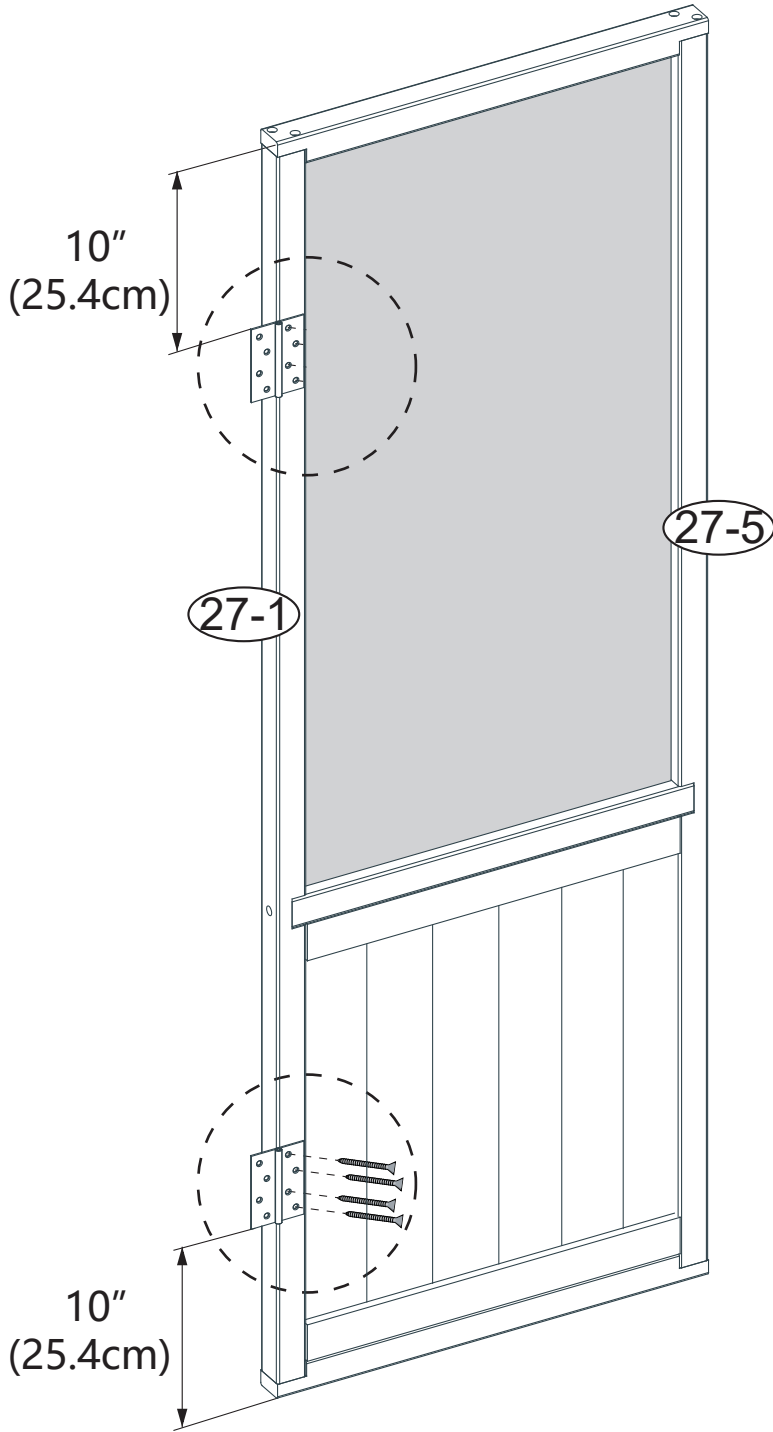
6x BB(Wood Screw)



Step35 Door Assembly 3

Hardware

2x LL(Door Hinge With Screw)

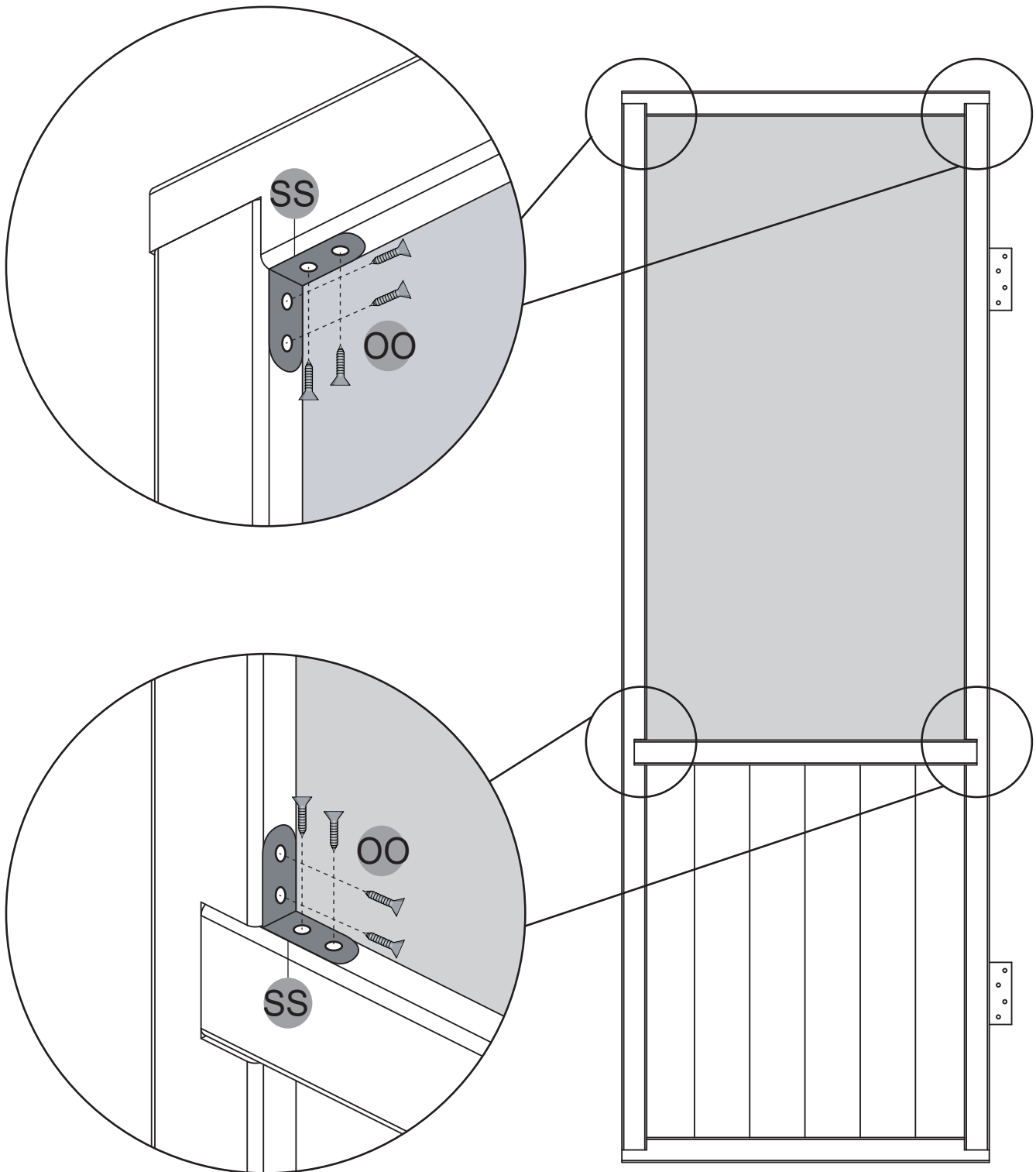


Step36 Door Assembly 4

Hardware

16x OO(Wood Screw)

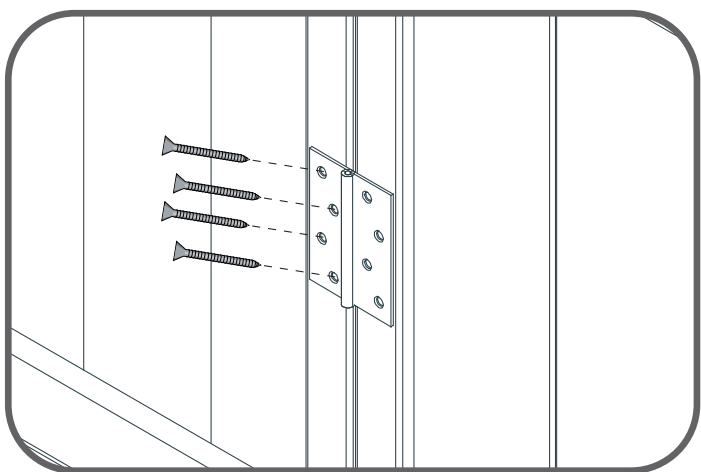
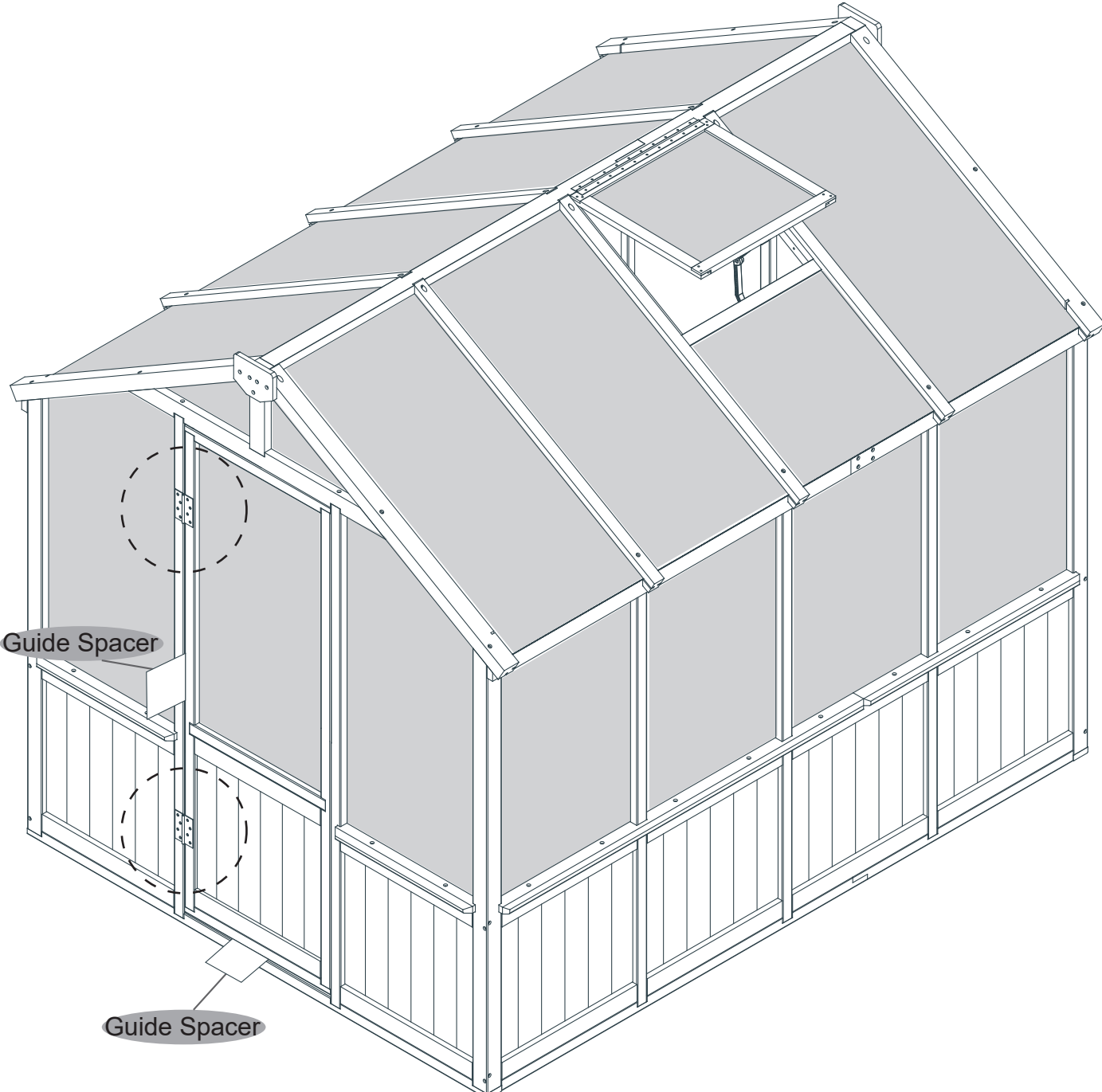
4x SS(Bracket)



Install the Part SS in the four corners of the door frame as shown, securing each part with four OO screws.

Note: Place the Part SS on the inside of the greenhouse.

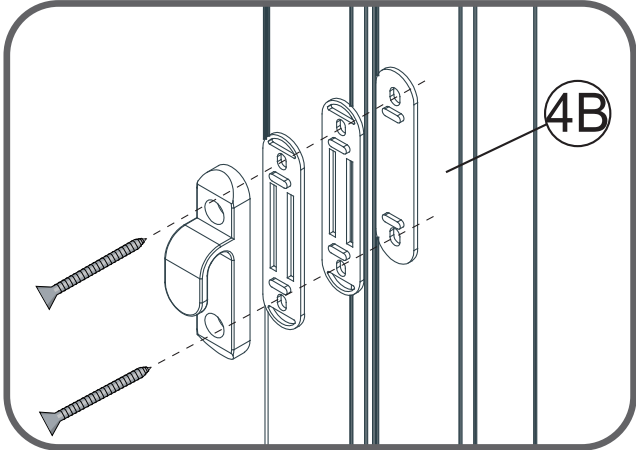
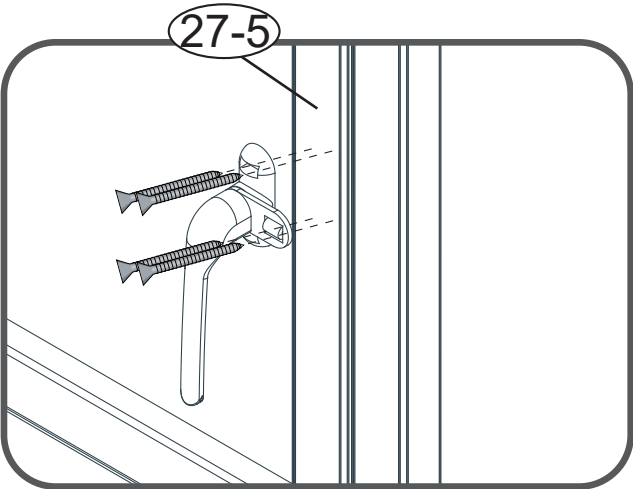
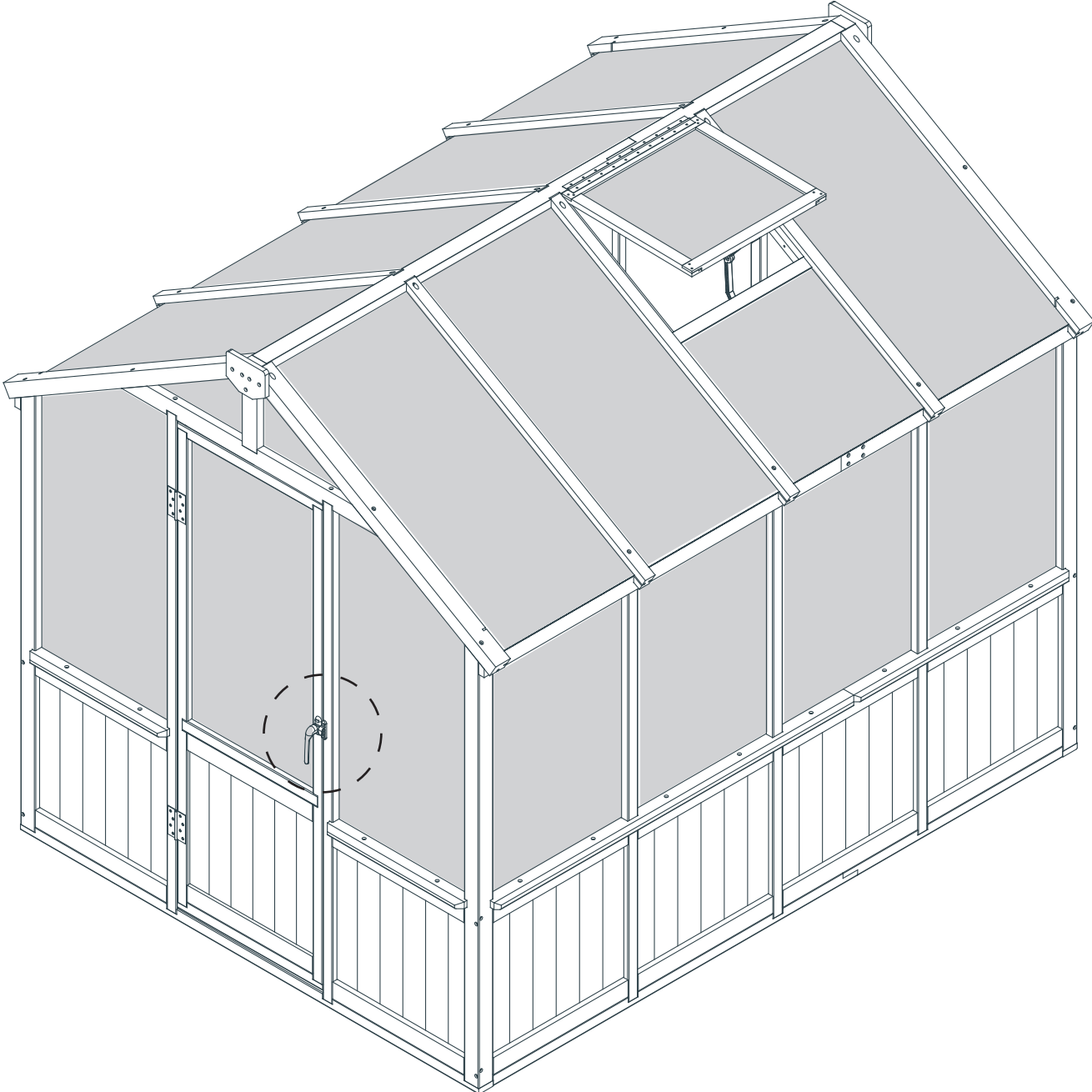
Step 37 Door Assembly 5



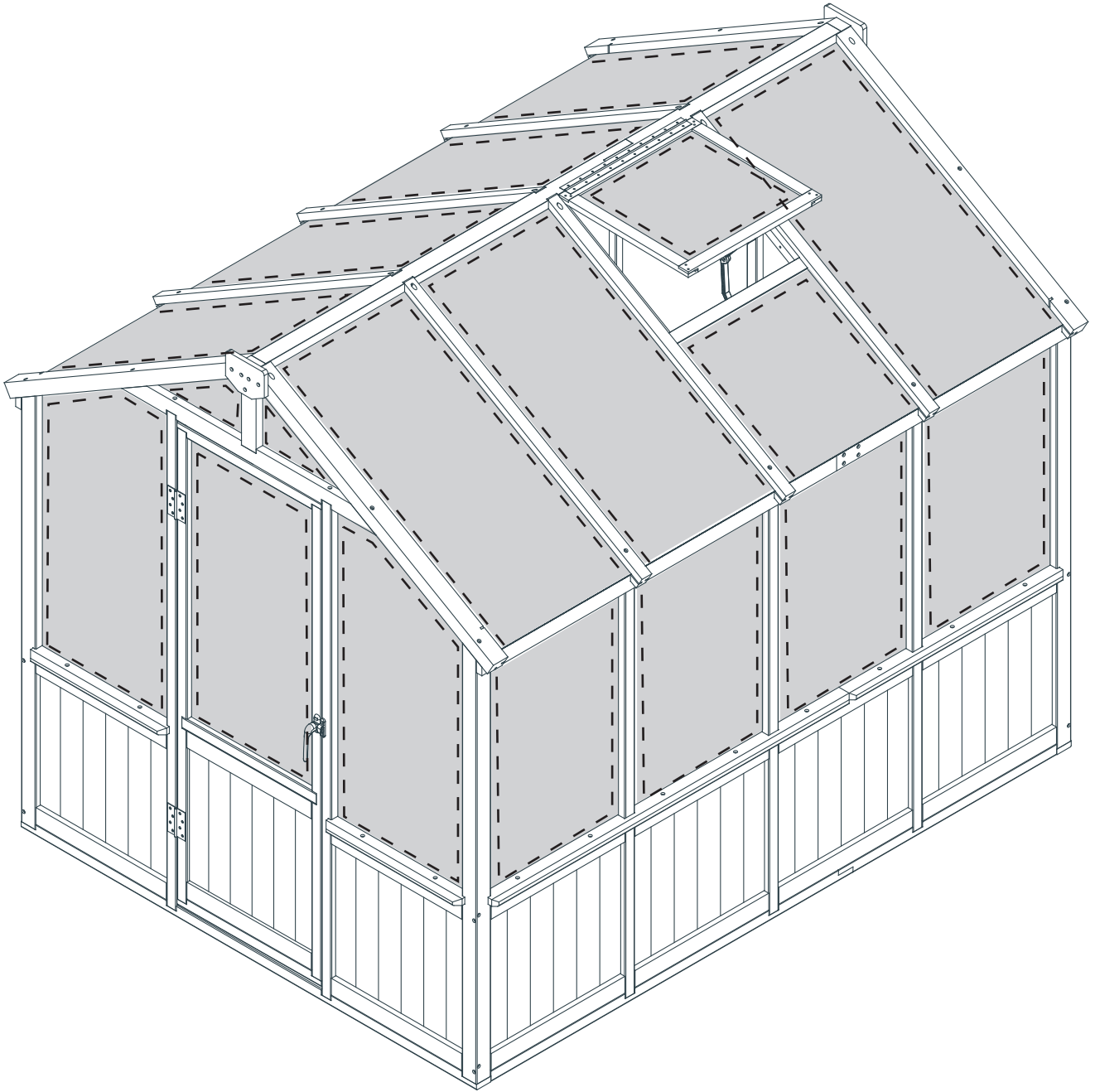
Step38 Door Handle Assembly

Hardware

1x MM(Door Handle With Screw)



Step39 Apply Sealant



NOTE: Seal the panels of four walls and roof on the inside and outside with silicone sealant as shown.

Enjoy your product !

