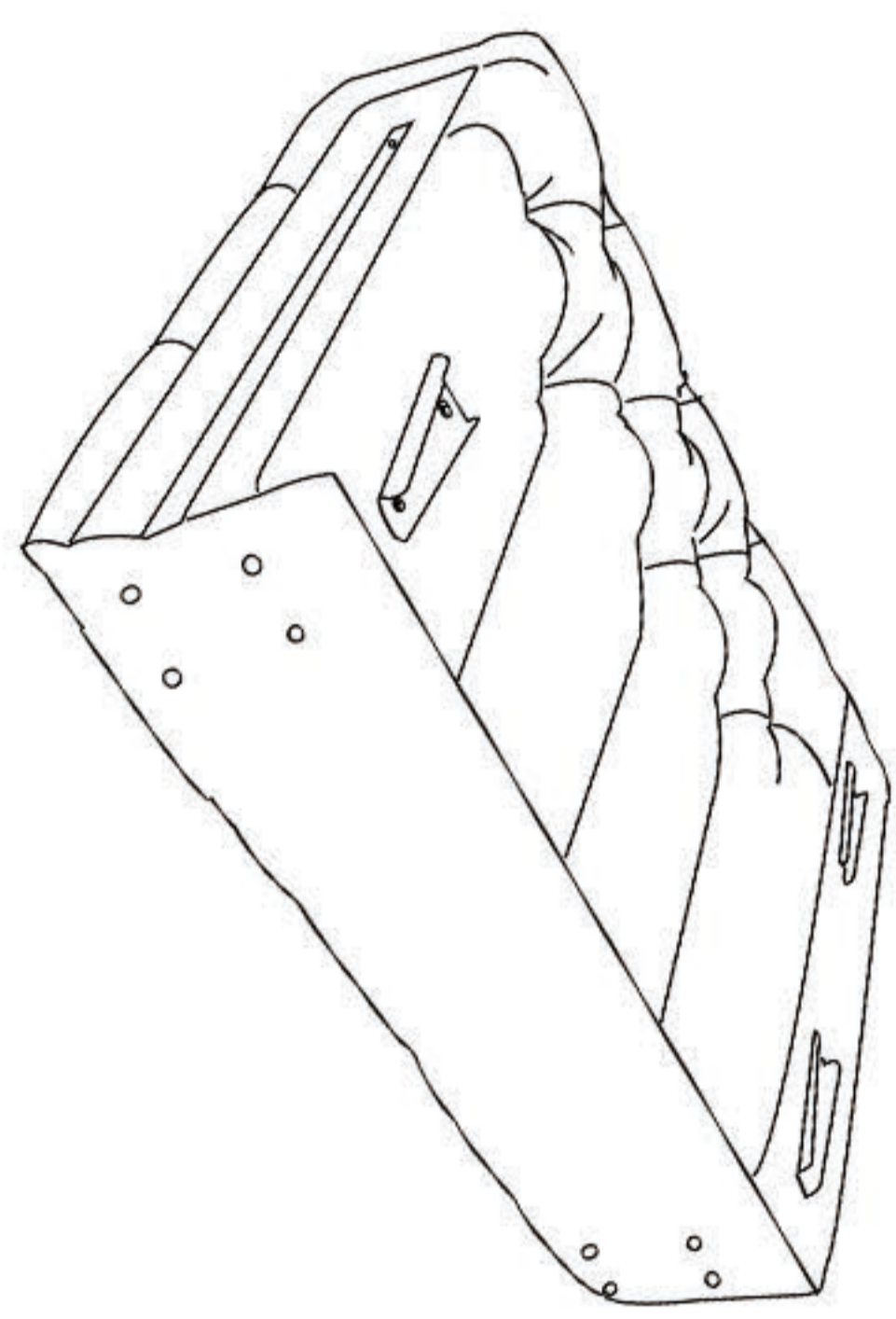
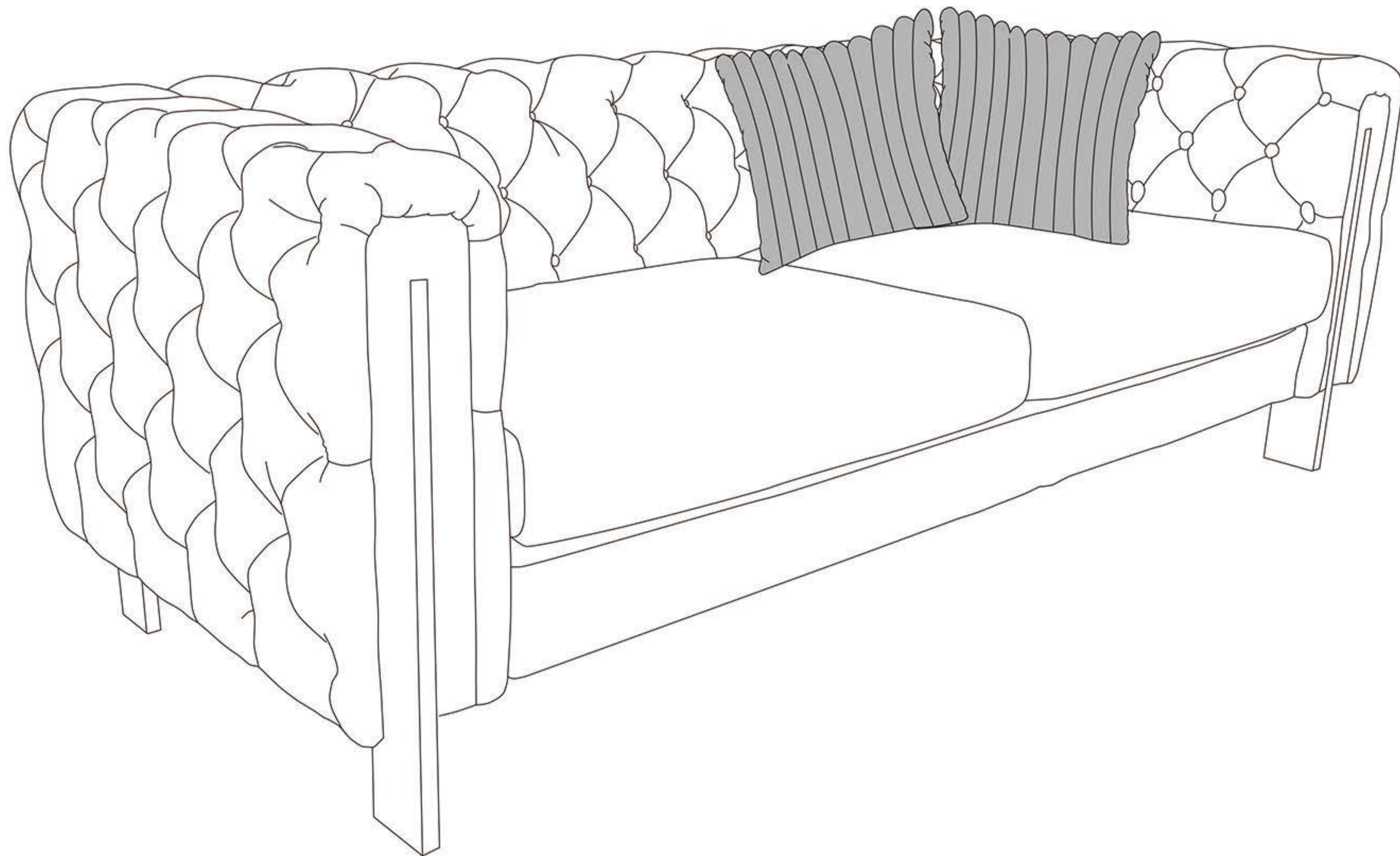
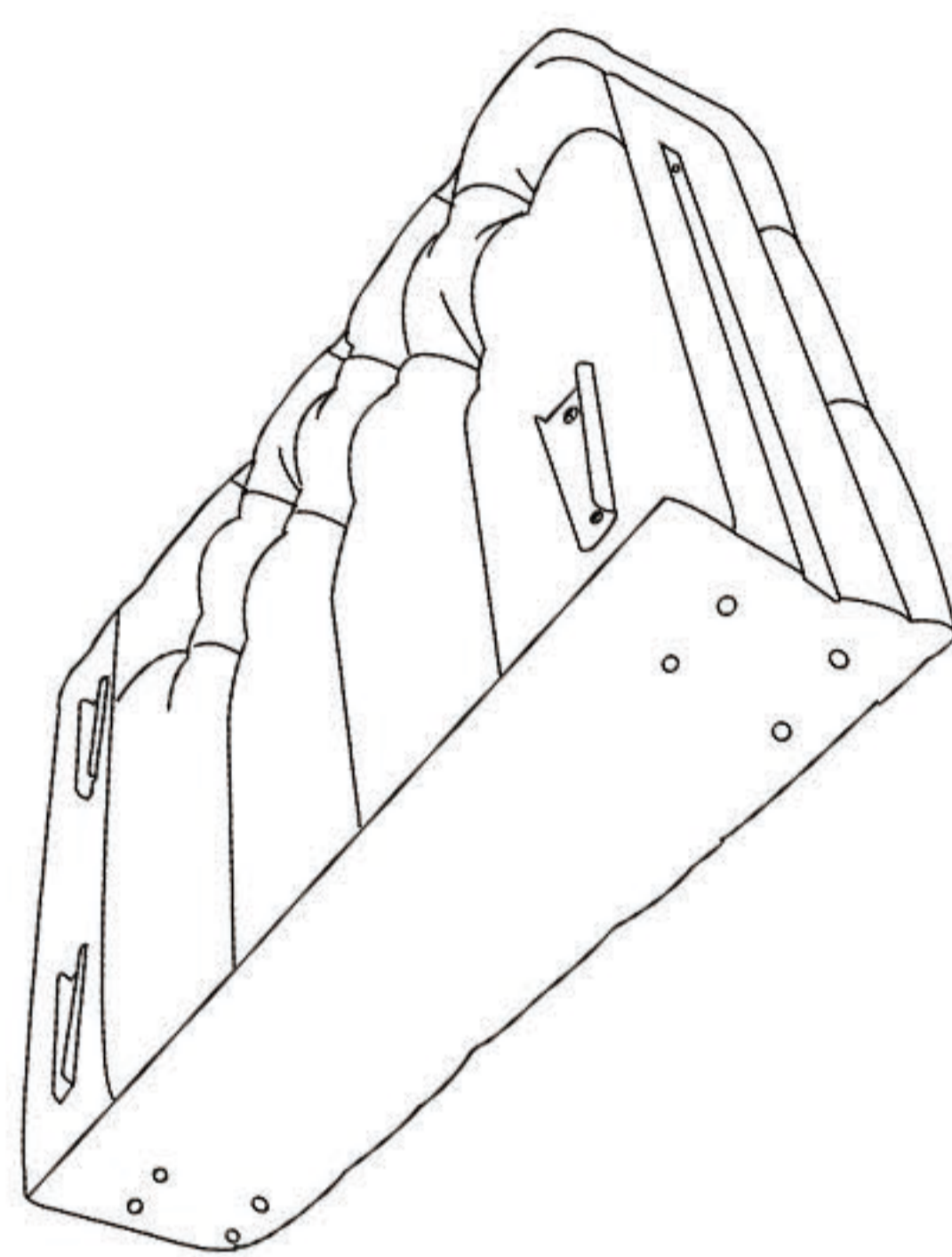


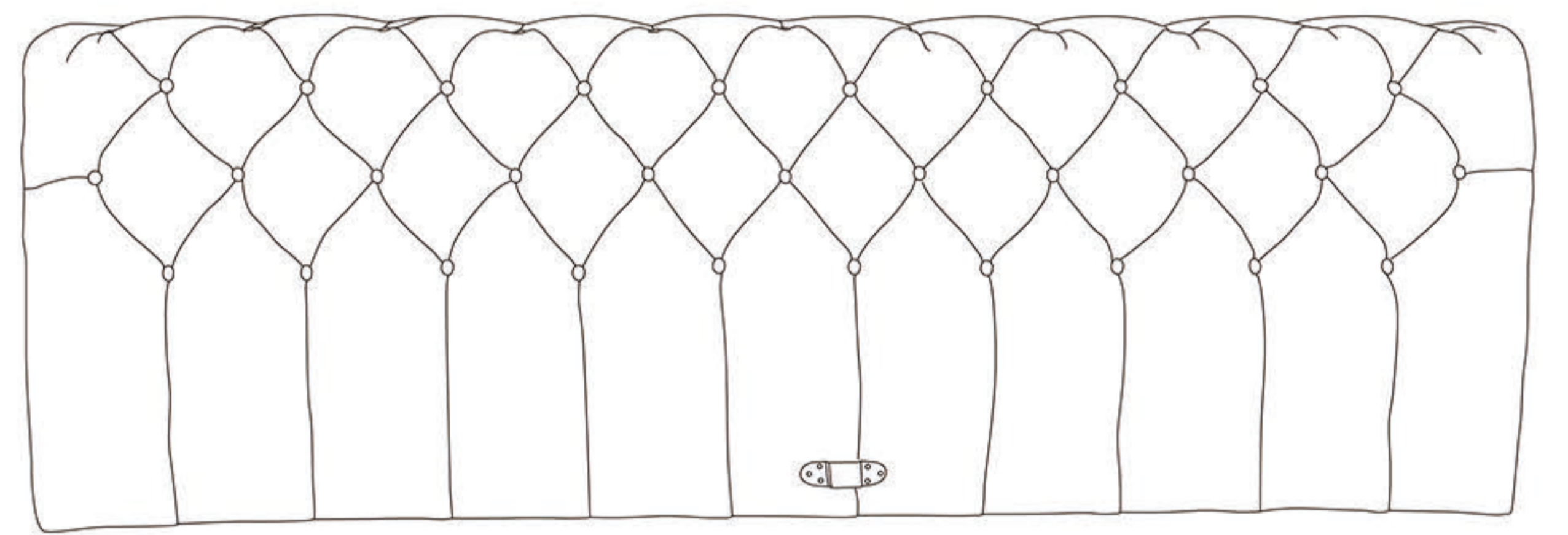
ASSEMBLY INSTRUCTIONS



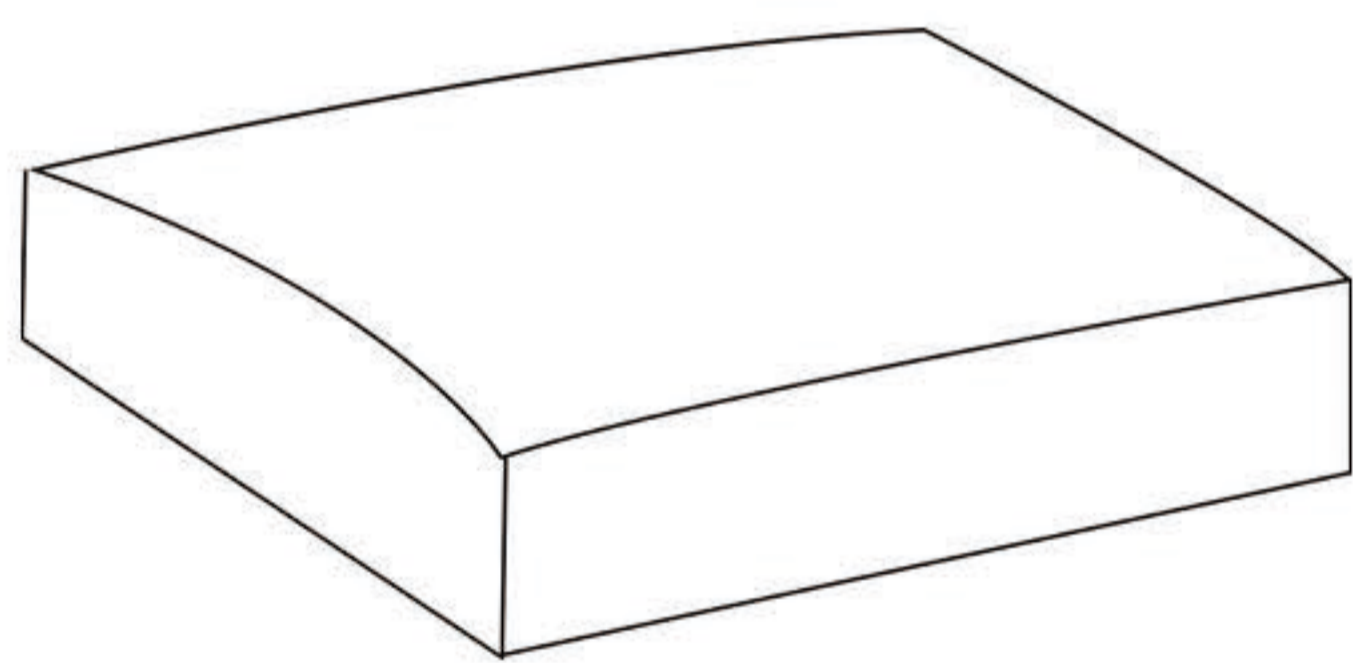
A: Left Arm x 1pcs



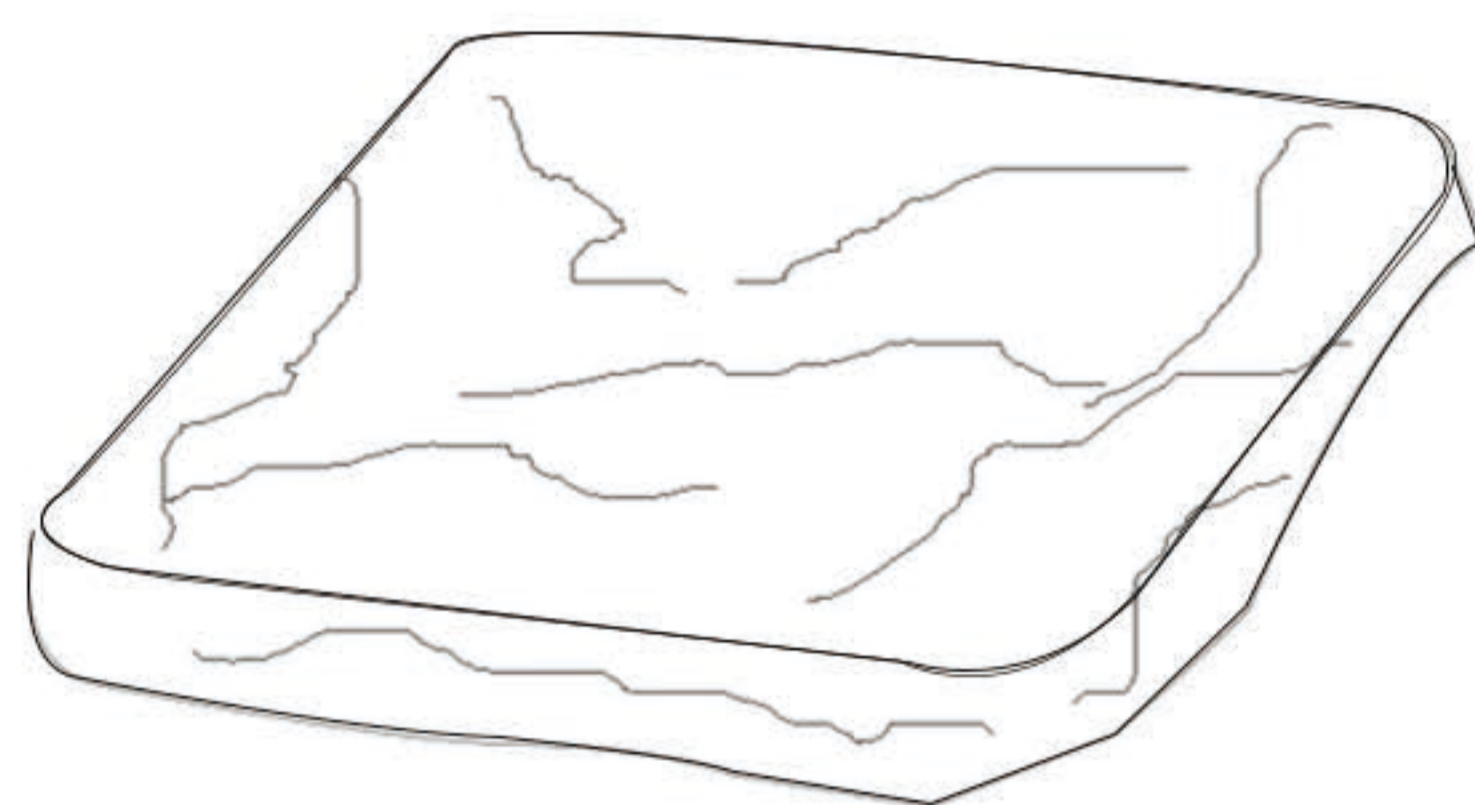
B: Right Arm x 1pcs



C: Sofa Back x 1pcs



D: Seat Cushion x 2pcs



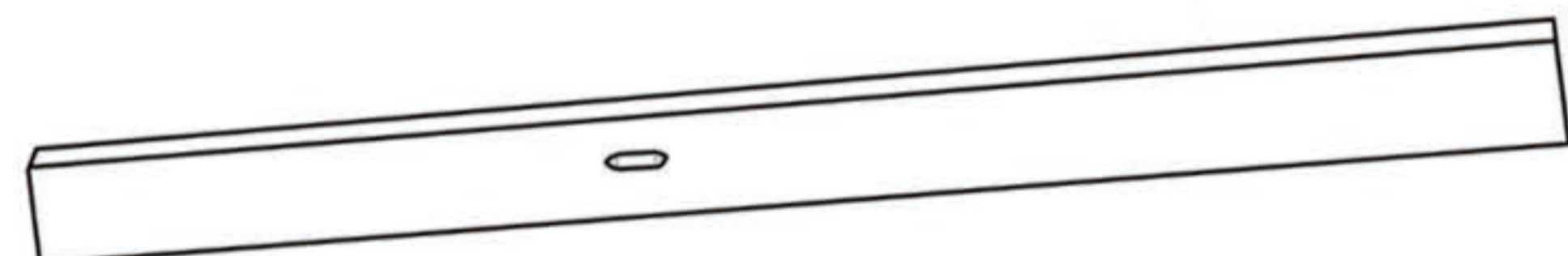
E: Seat cushion cover x 2pcs



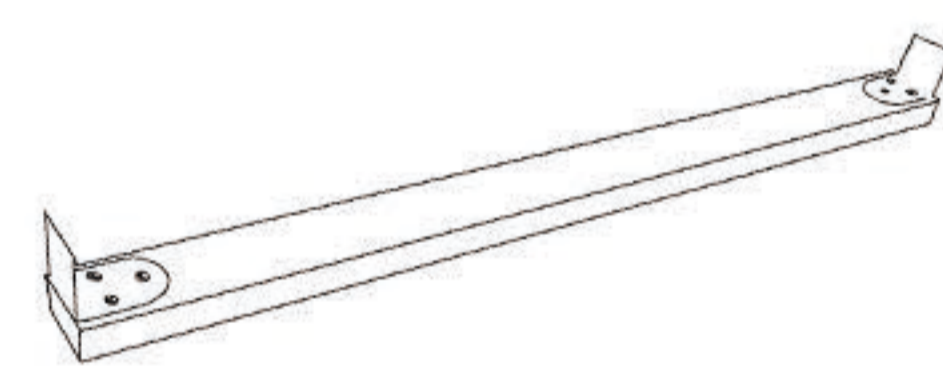
F: Pillow x2pcs



G: Bottom Board x 1pcs



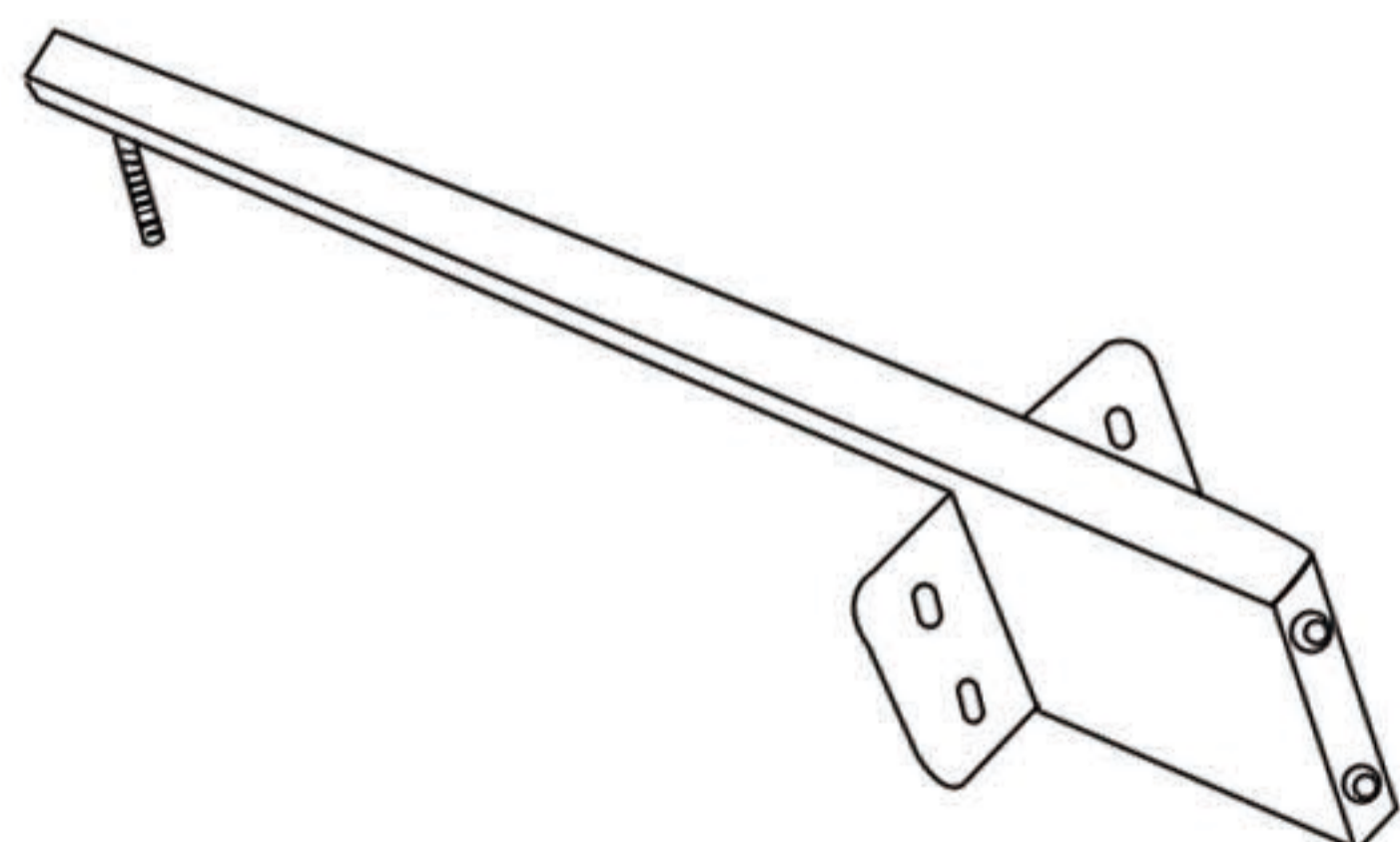
H: Front Board x 1pcs



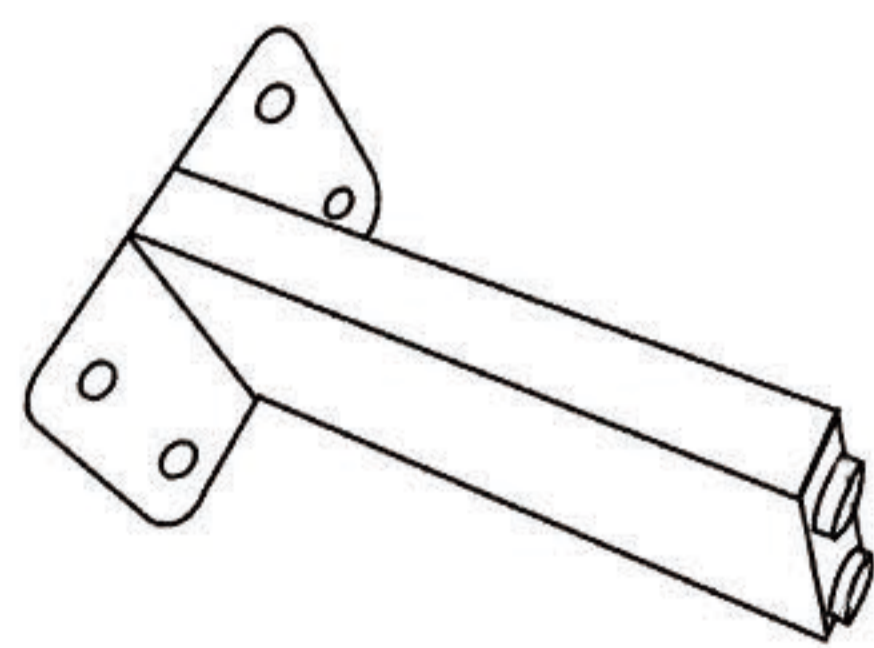
I: Center Bar x 1pc



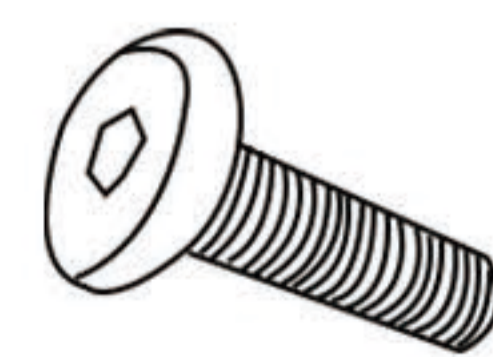
J: Side Bar x 2pcs



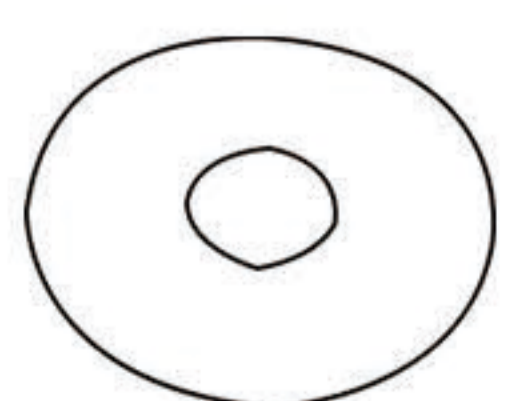
K: Front leg x2pcs



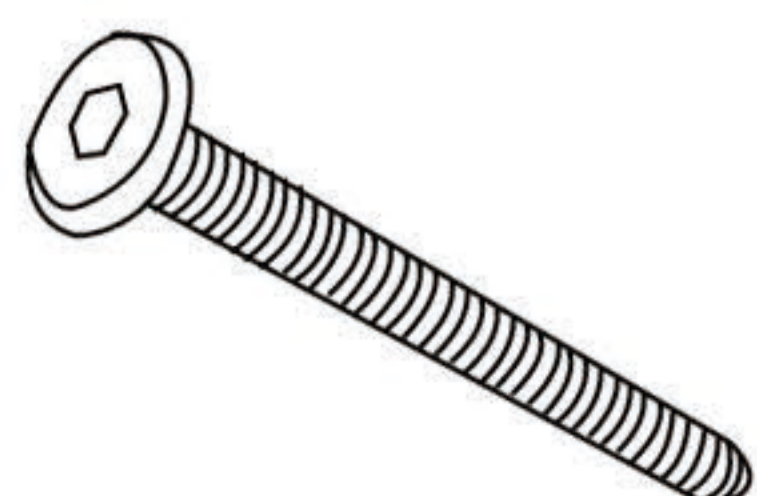
L: Back leg x2pcs



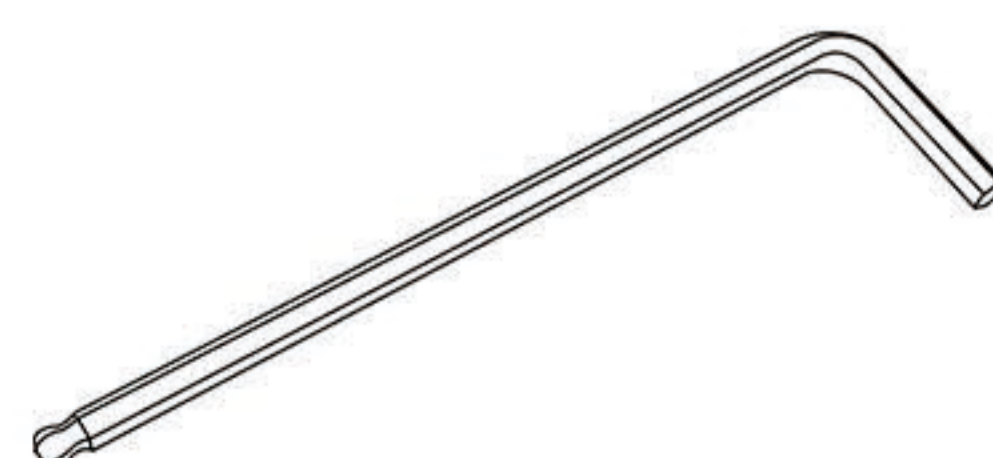
M: Screw 20MM x18pcs



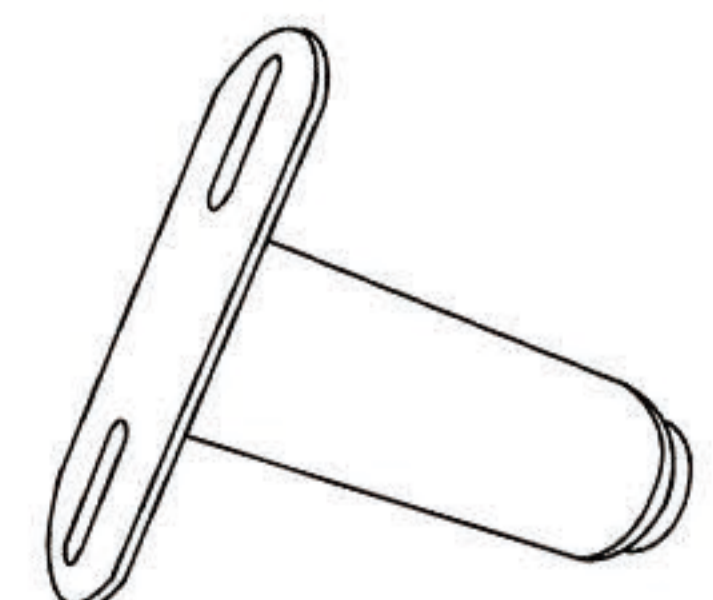
**N: Washer
x 22pcs**



**O: Screw 60MM
x4pcs**



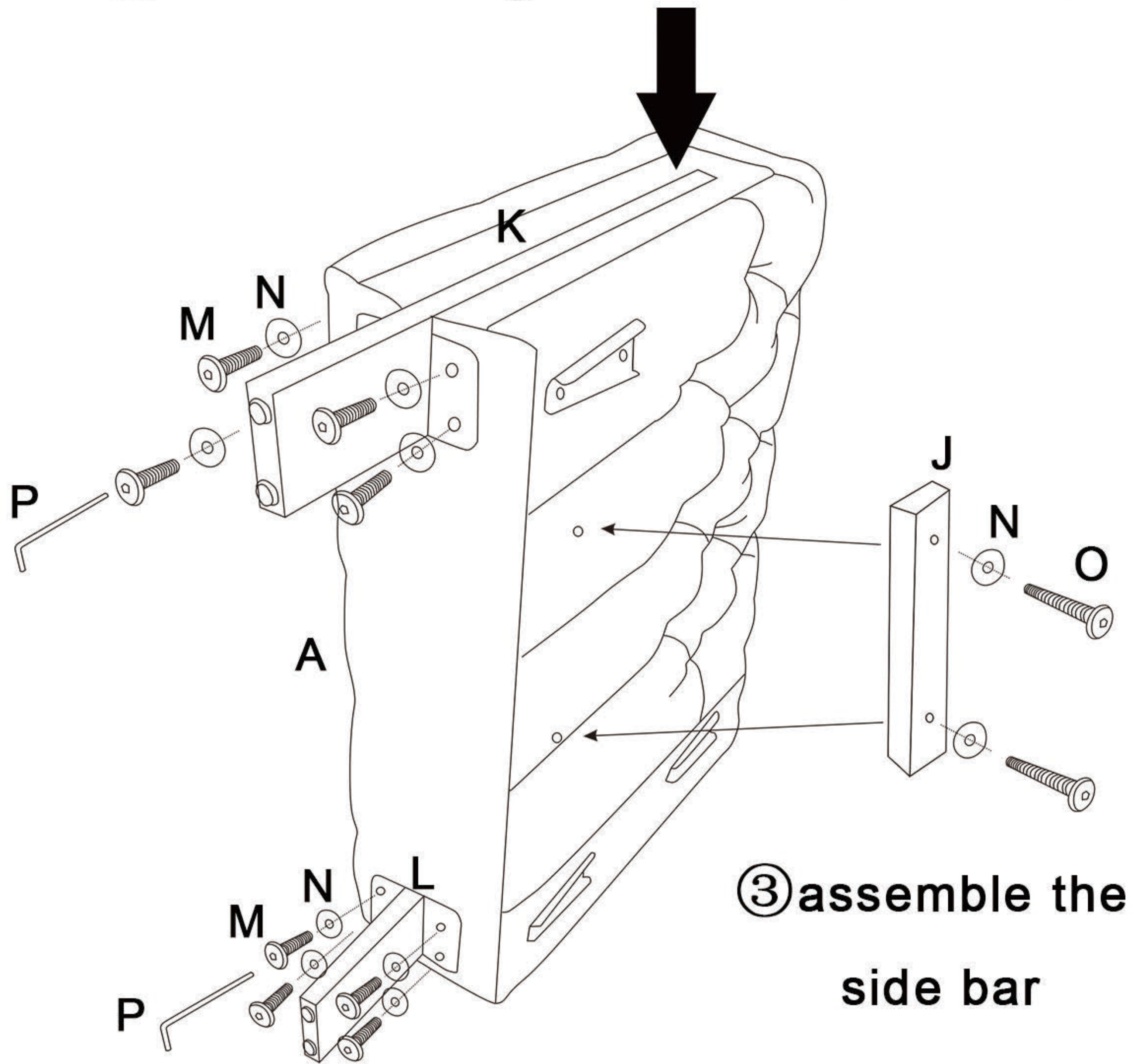
**P: Hexagon Socket
Screw Keys x1pcs**



**Q: adjustable middle leg
x 1pcs**

Step 1

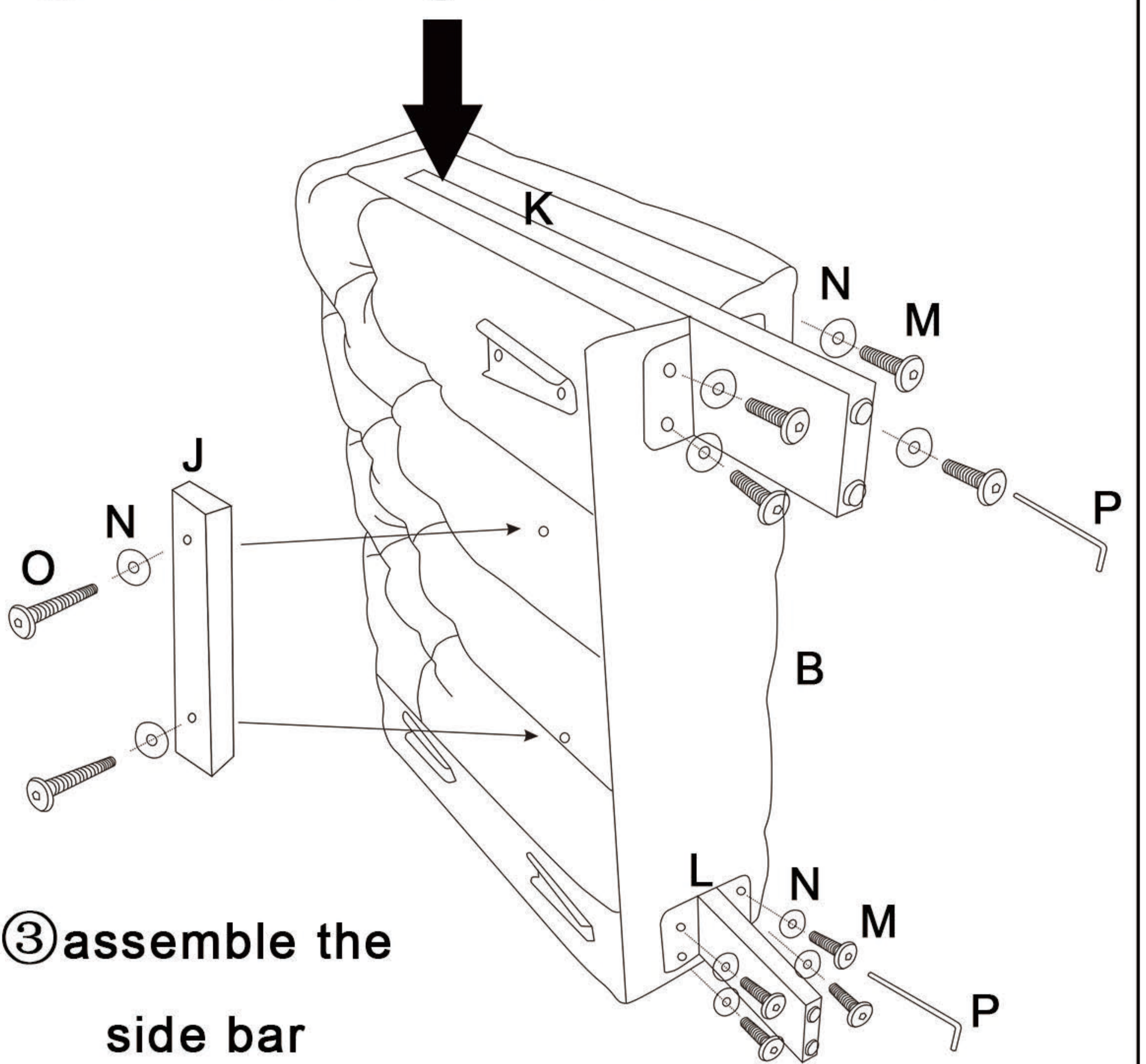
① Insert the long bolt into the hole first.



② assemble the legs.

Step 2

① Insert the long bolt into the hole first.

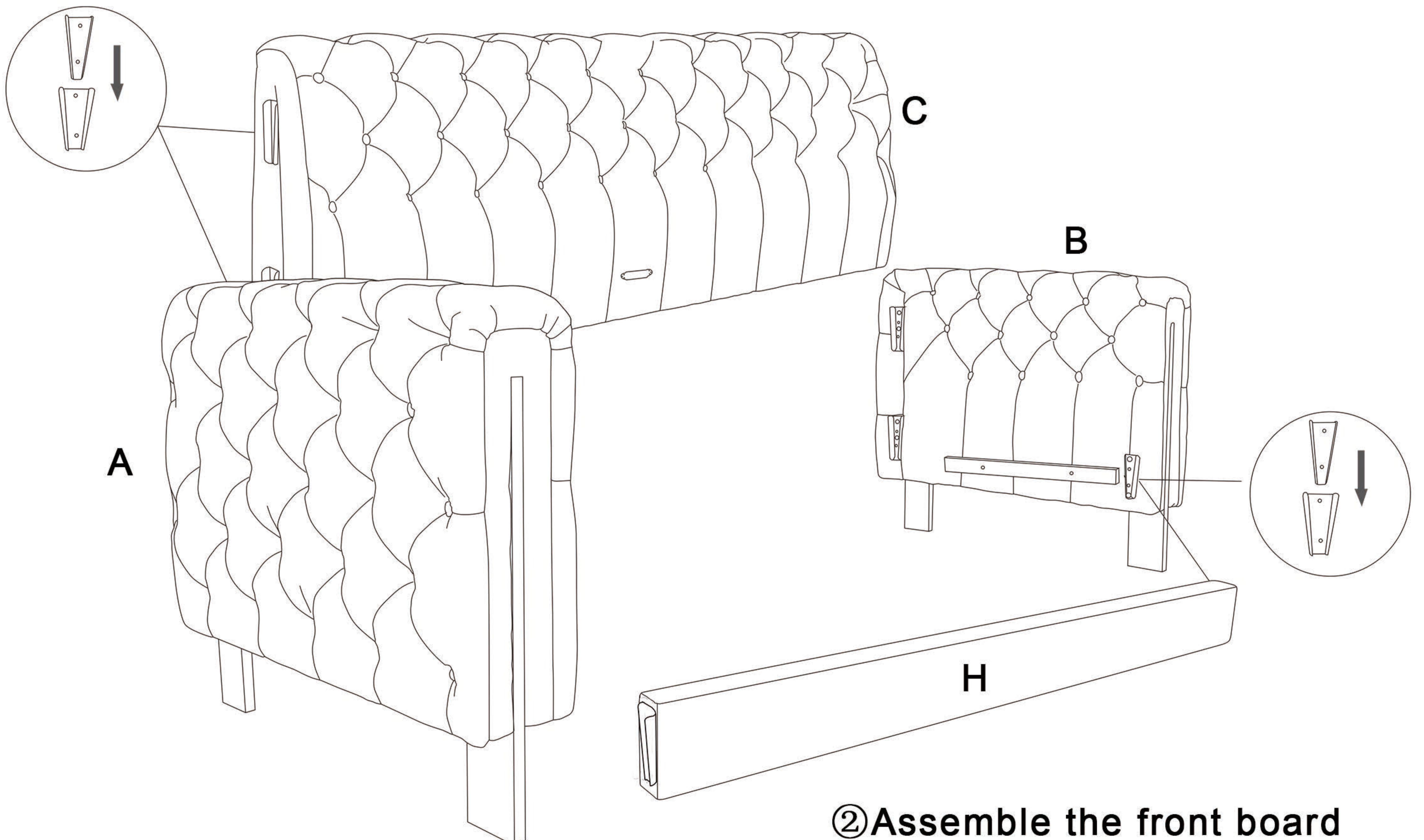


③ assemble the side bar

② assemble the legs.

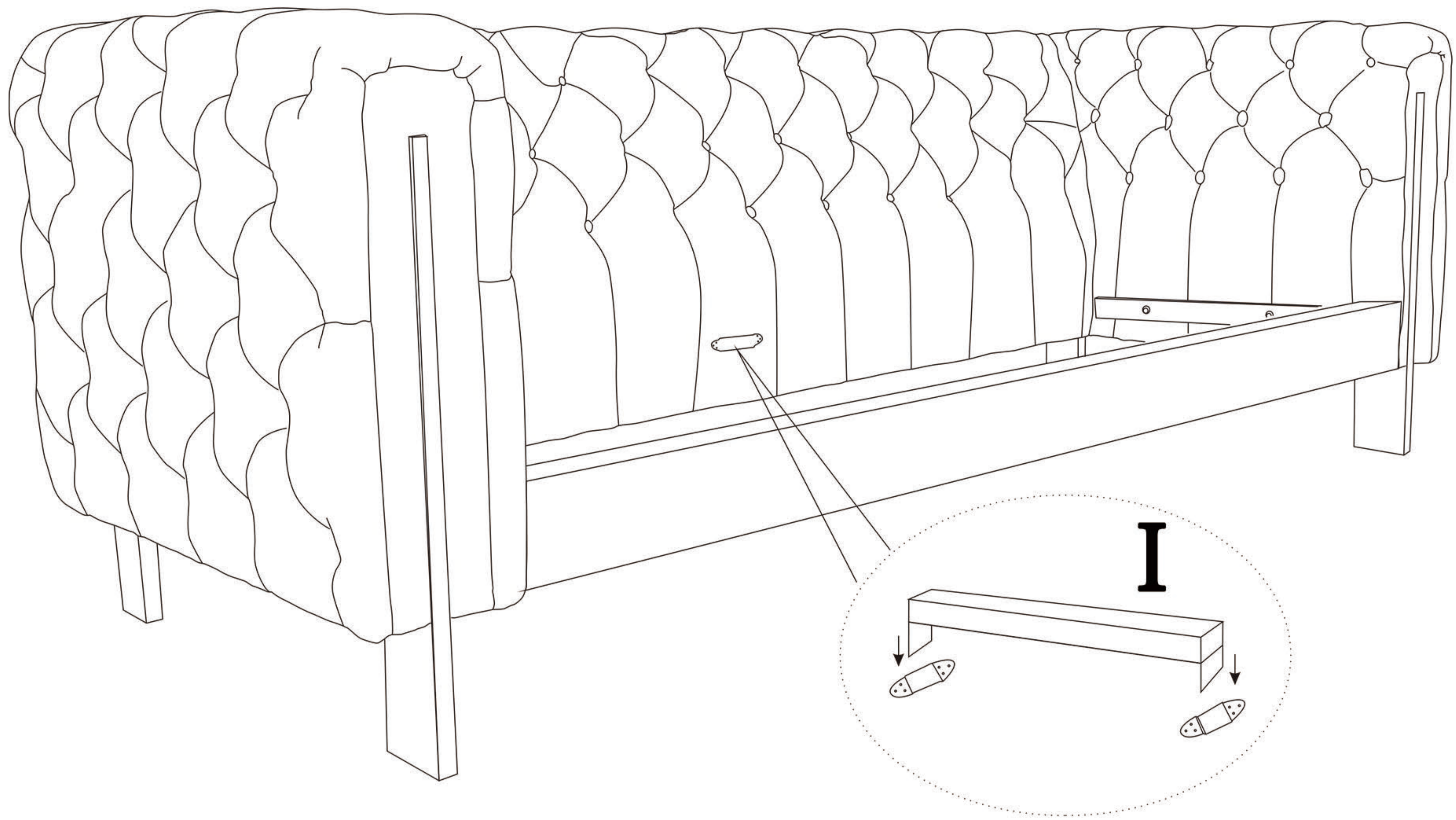
Step 3

① Assemble the sofa back

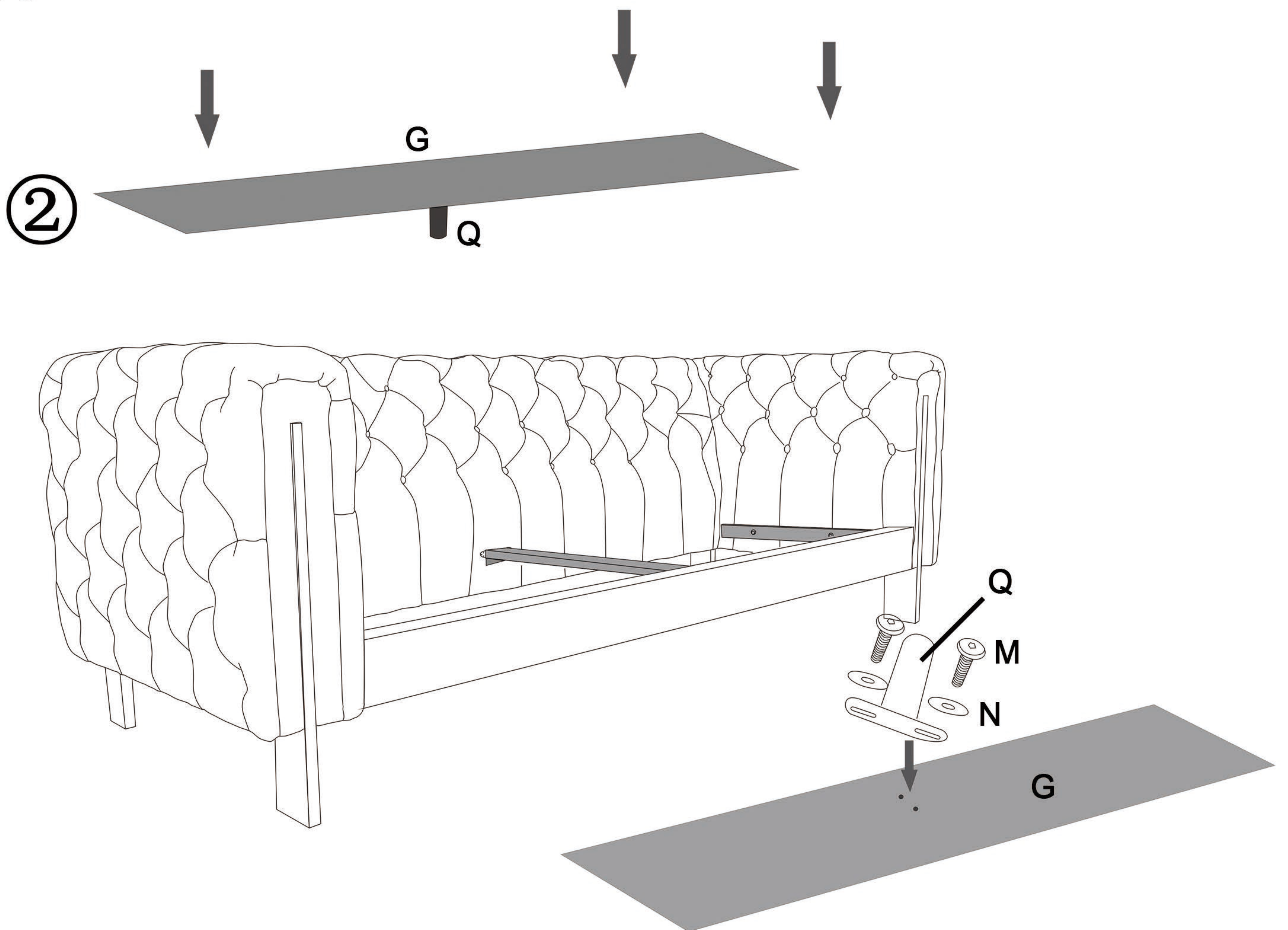


② Assemble the front board

Step 4 Assemble the center bar.

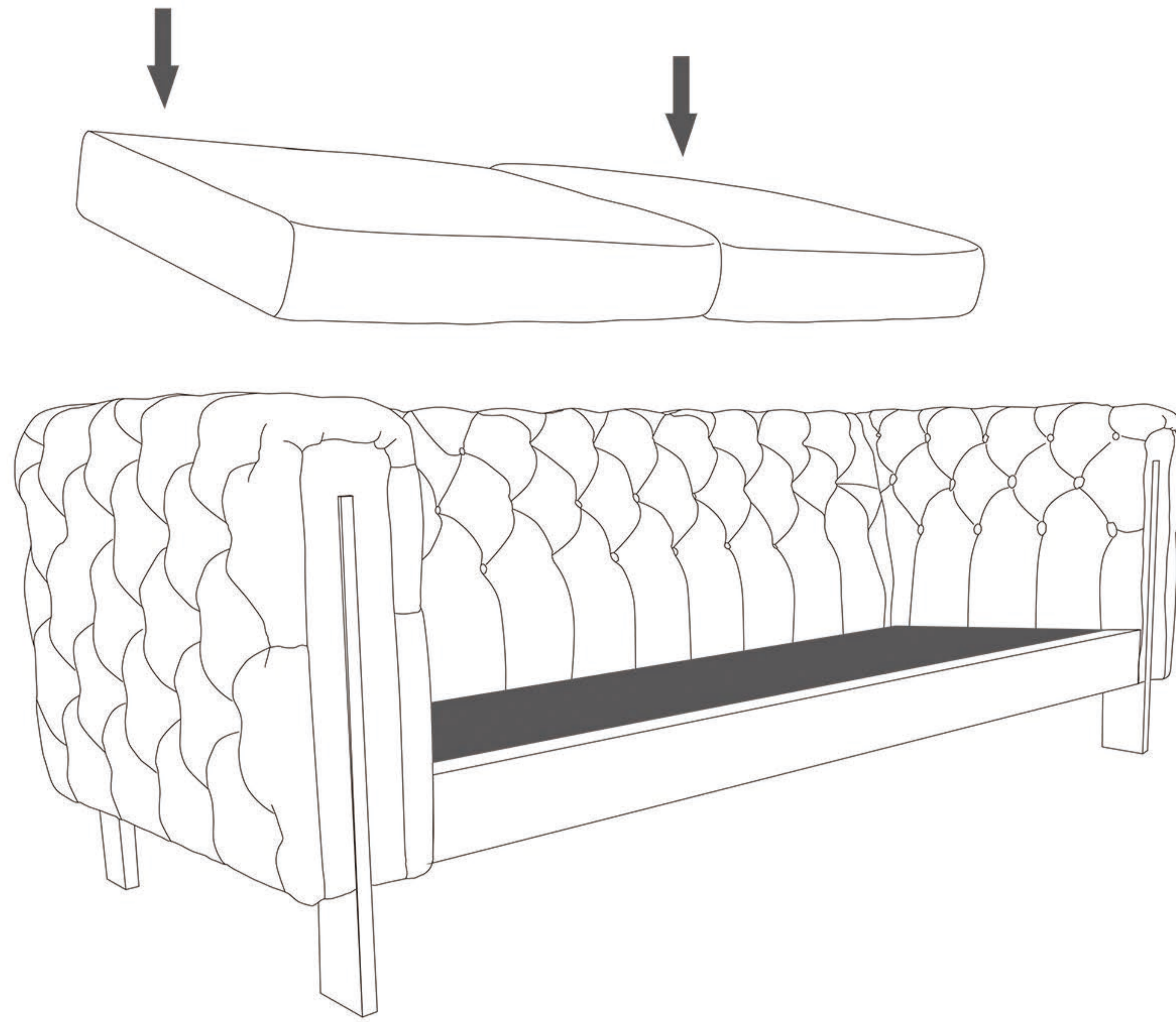


Step 5

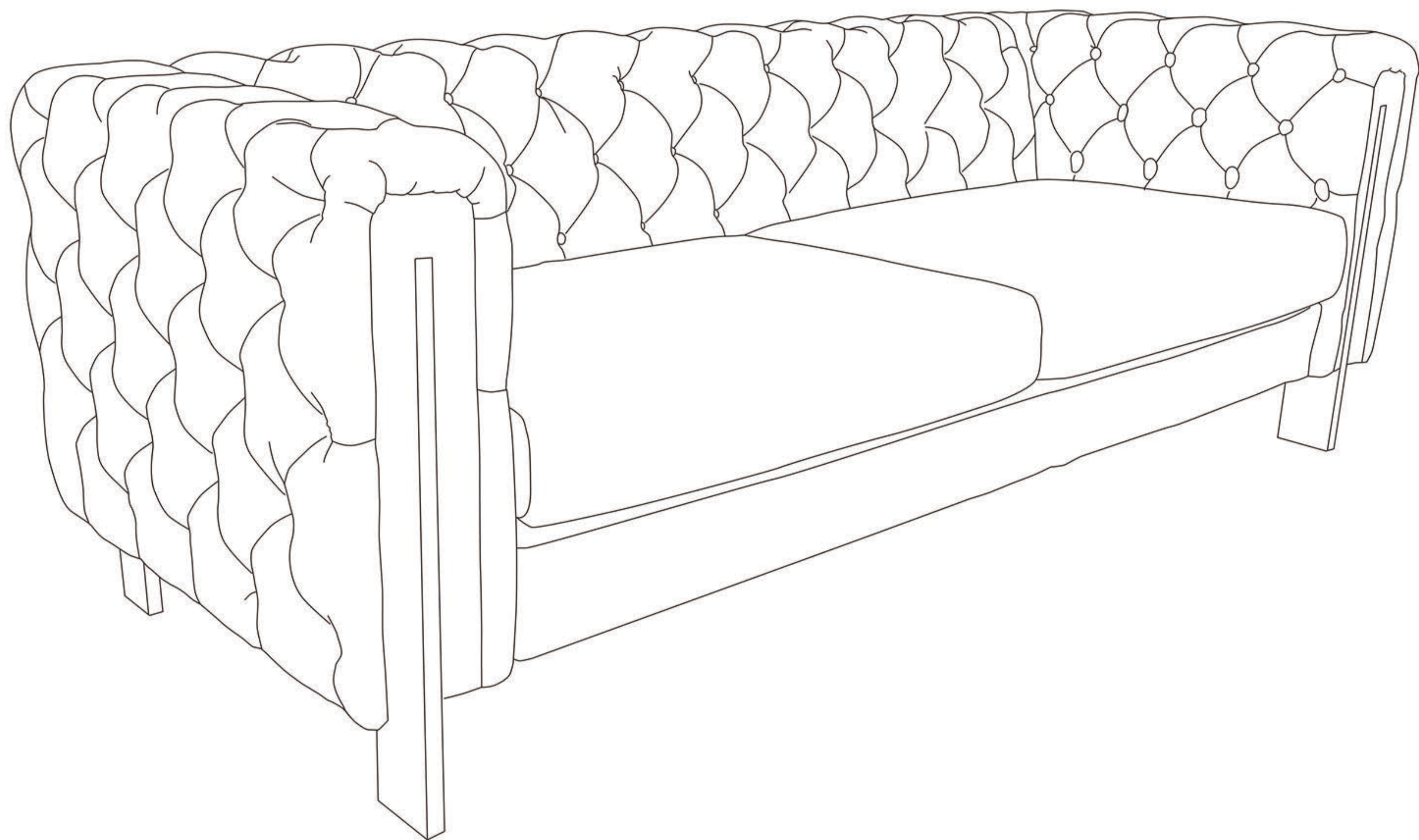


① Assemble the middle leg in the middle of the bottom board first.

Step 6 Assemble the seat cushions, then put on the bottom board.



Step 7



Step 8

