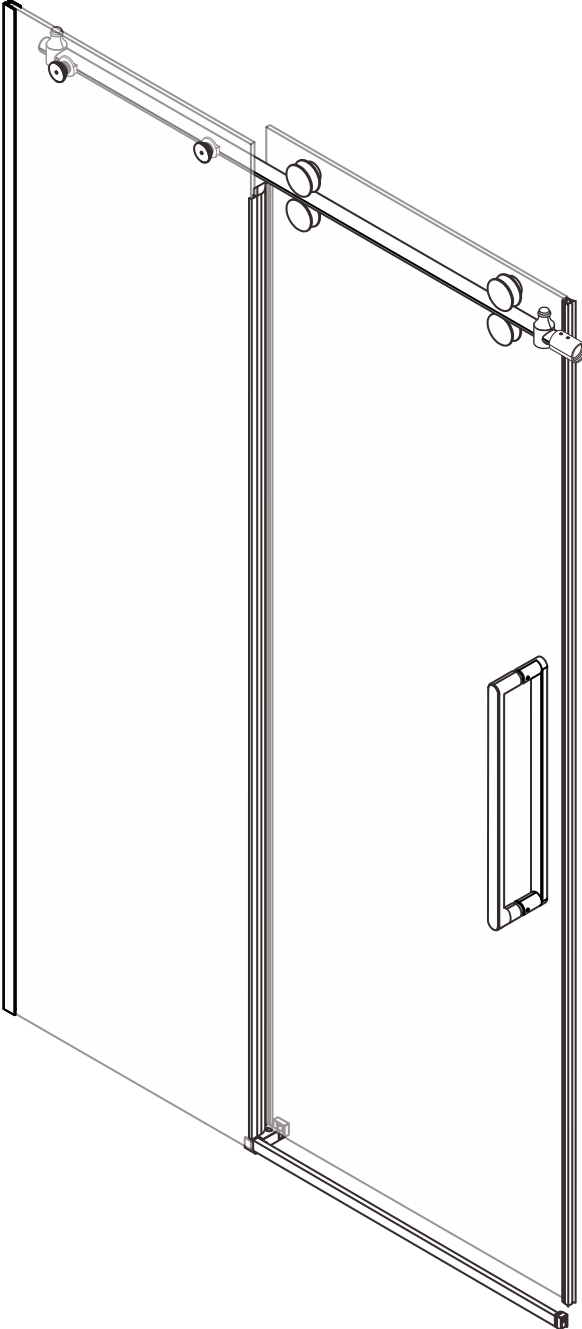


SLIDING SHOWER DOOR INSTALLATION INSTRUCTION

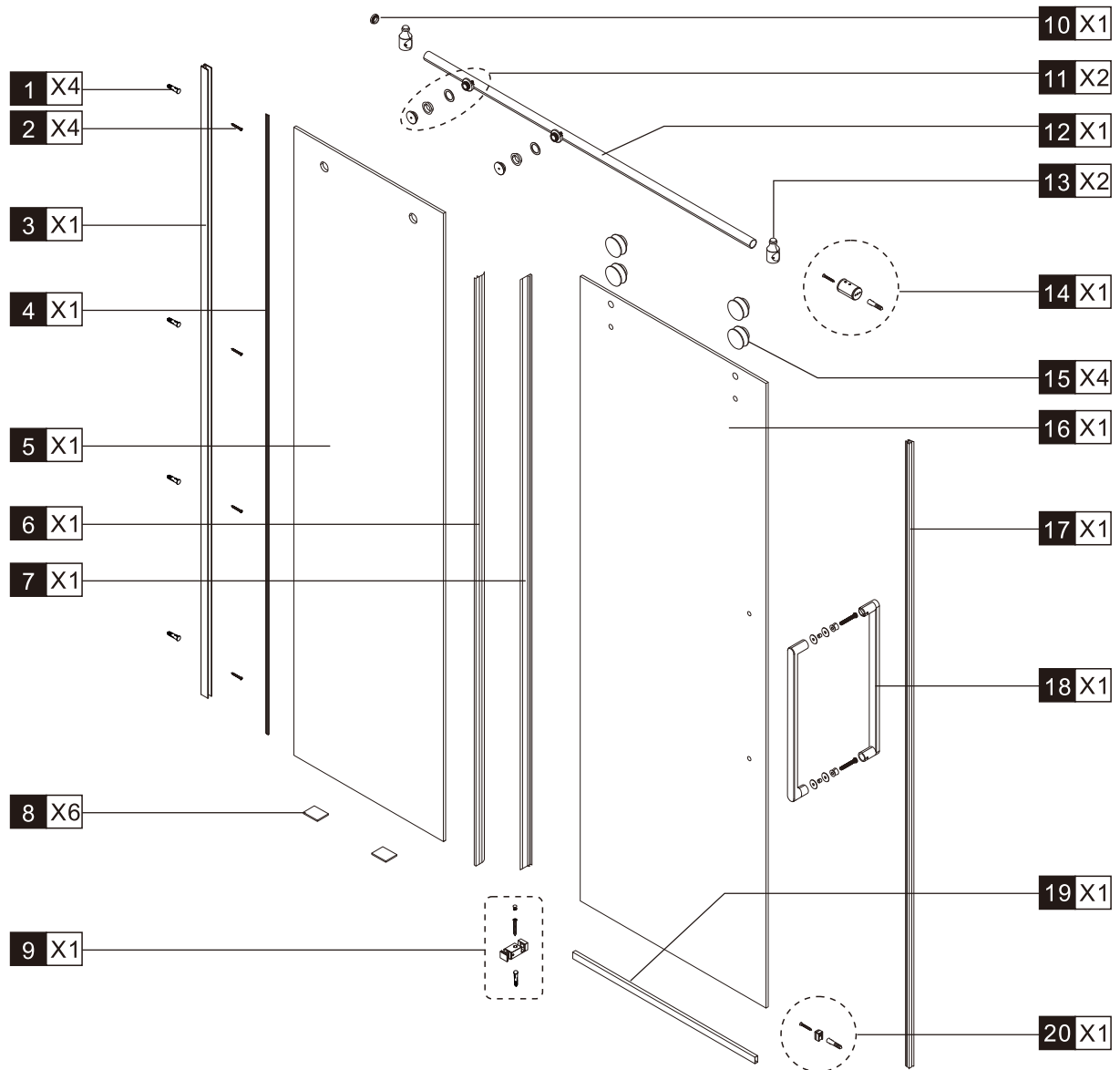
HOROW®



Scan to get install video



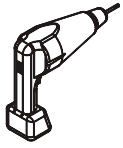
PARTS LIST



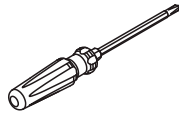
NO.	Product name	Qty
1	Wall profile screw plug	4
2	Wall profile screw	4
3	Wall profile	1
4	Profile seal stripe	1
5	Fixed glass	1
6	Curved seal stripe	1
7	Straight seal stripe	1
8	Washer	6
9	Center guider	1
10	End cover	1

NO.	Product name	Qty
11	Glass connector	2
12	Top rail	1
13	Stopper	2
14	Wall bracket	1
15	Roller	4
16	Door panel	1
17	Bubble seal	1
18	Handle	1
19	Door profile	1
20	End connector	1

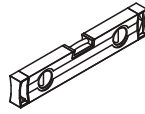
TOOLS AND MATERIALS REQUIRED



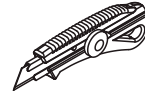
DRILL



SCREWDRIVER



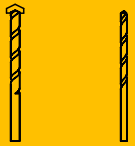
LEVEL



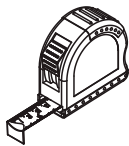
PRECISION KNIFE



SILICONE



Ø 1/4" Ø 5/16"
DRILL BIT



MEASURING TAPE



SET SQUARE

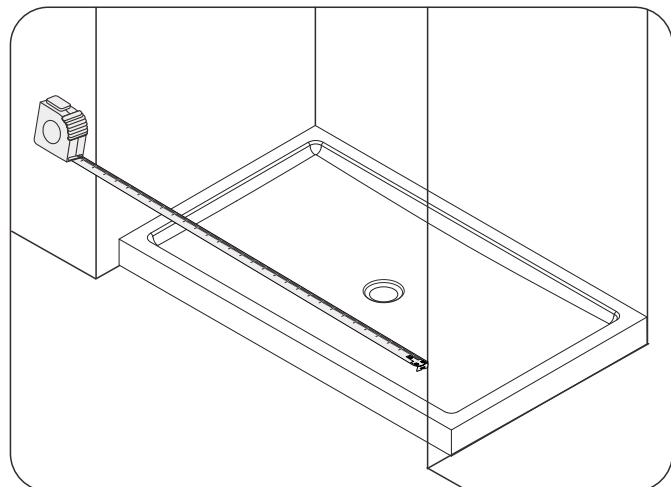
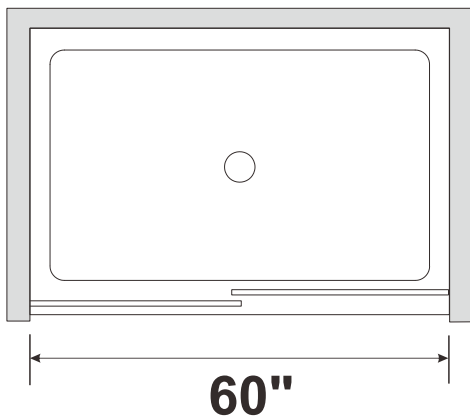


PENCIL



RUBBER HAMMER

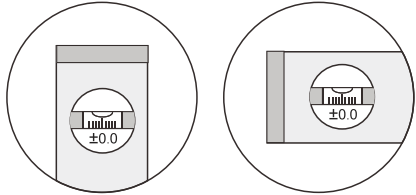
PREPARATION FOR INSTALL



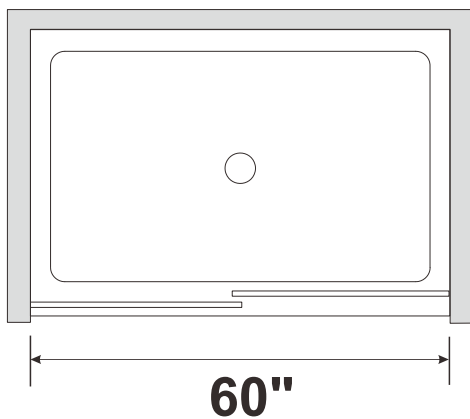
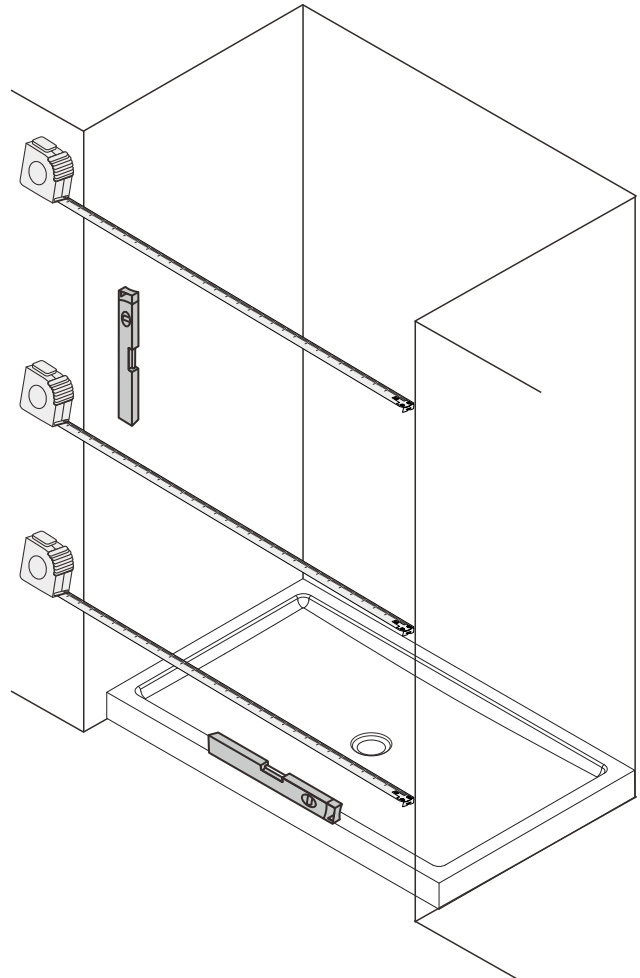
UNPACK THE SHOWER DOOR AND TAKE PHOTOS

1. Open the package and check if the glass is broken, shattered, etc.
2. Please check the hardware carefully for scratches, missing pieces, etc.
3. Any problems with the product, please take a photos and send to support@horow.com, we will be happy to solve it for you!

SITE MEASUREMENT



Wall must be plumb
Threshold must be level



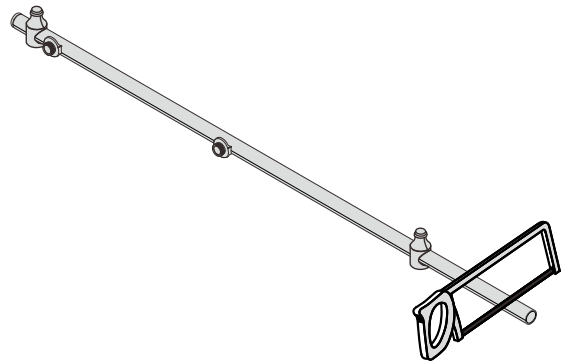
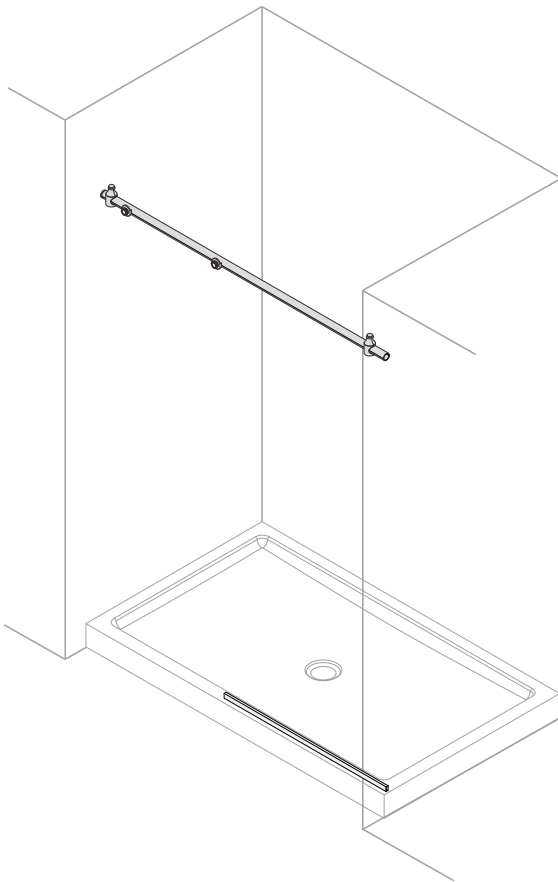
Our product recommended to install size between 56"~60", if the size for your shower area is less than 60", please refer to the following formula to cut the top/bottom rail.

TOP/BOTTOM RAIL CUTTING

Top rail cut formula _____

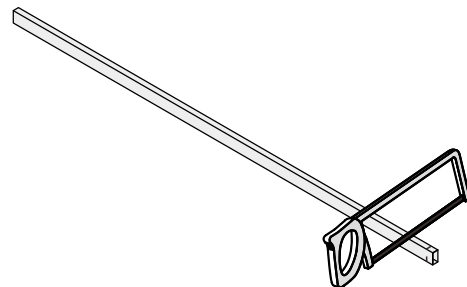


Note: when cutting top rail, cut off from the end without the holes/two glass connectors.



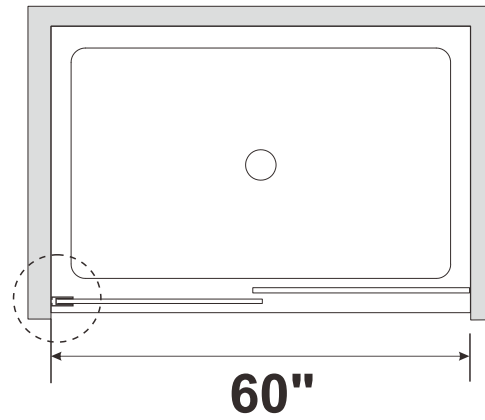
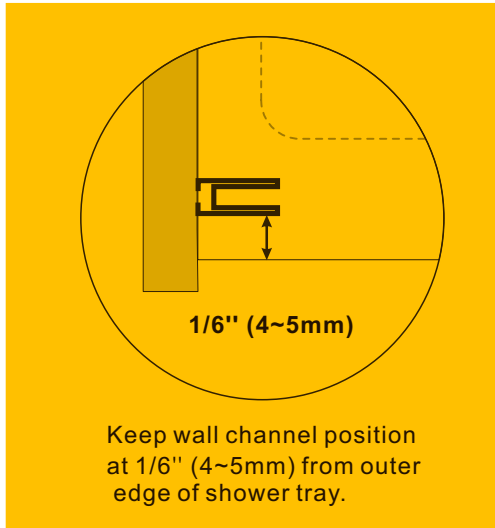
Finished opening (width)	56"	57"	58"	59"	60"
Cut off length	4"	3"	2"	1"	/

Bottom rail cut formula _____

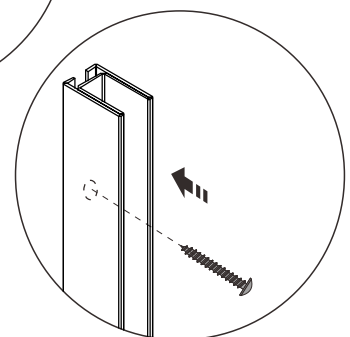
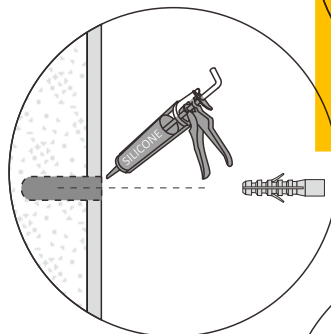
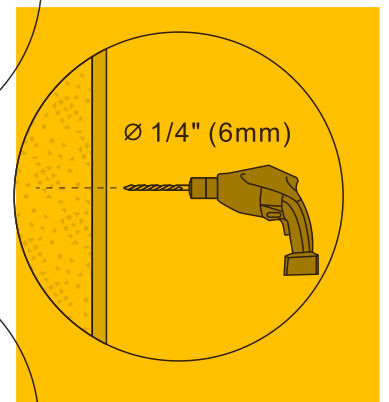
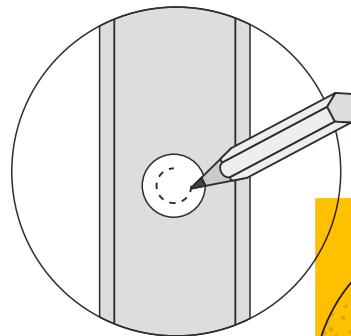
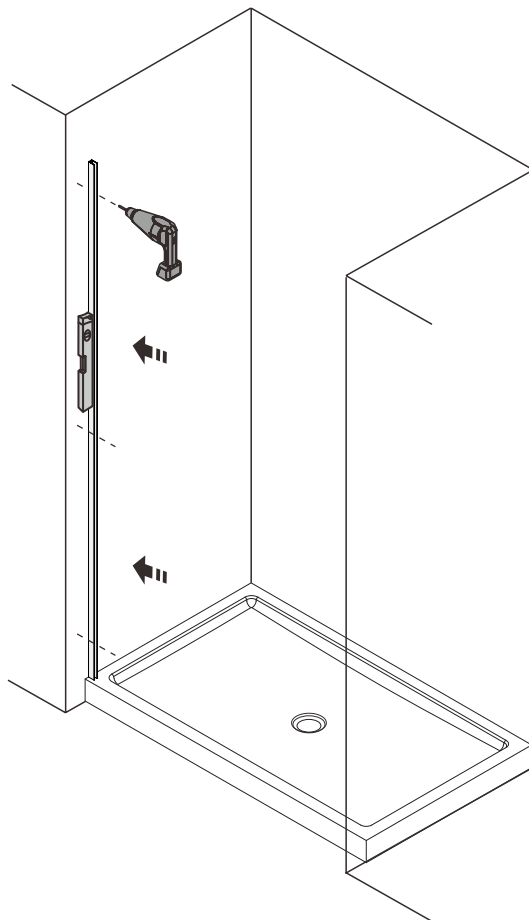


Following installation steps, when necessary, cut the door bottom profile length according to installer's recommendation.

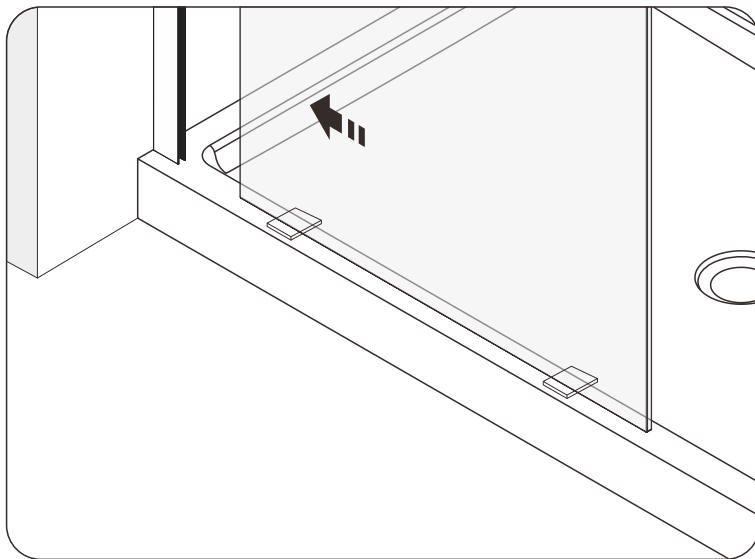
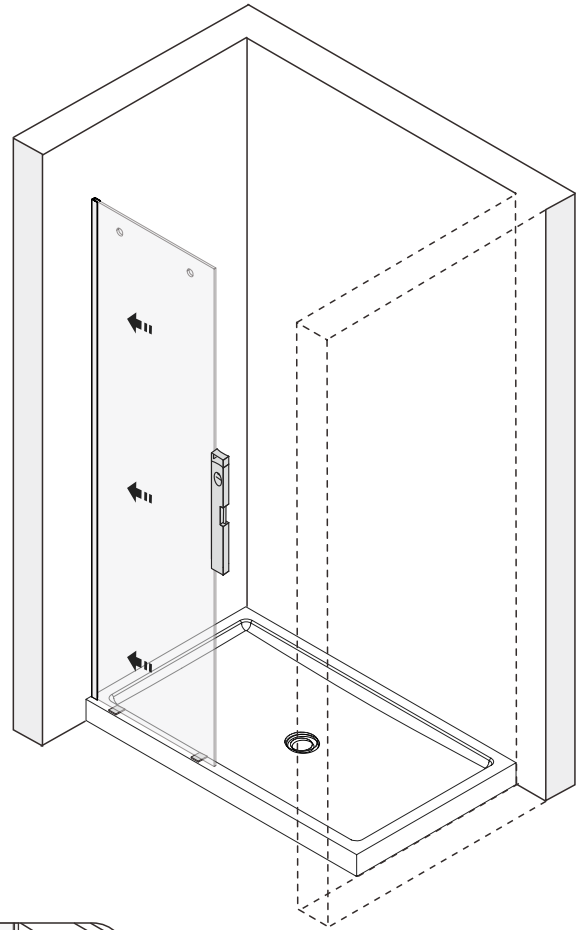
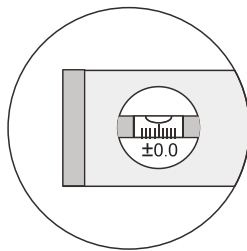
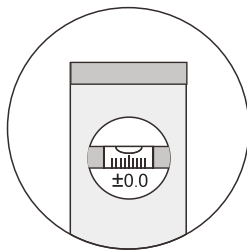
POSITIONING WALL PROFILE



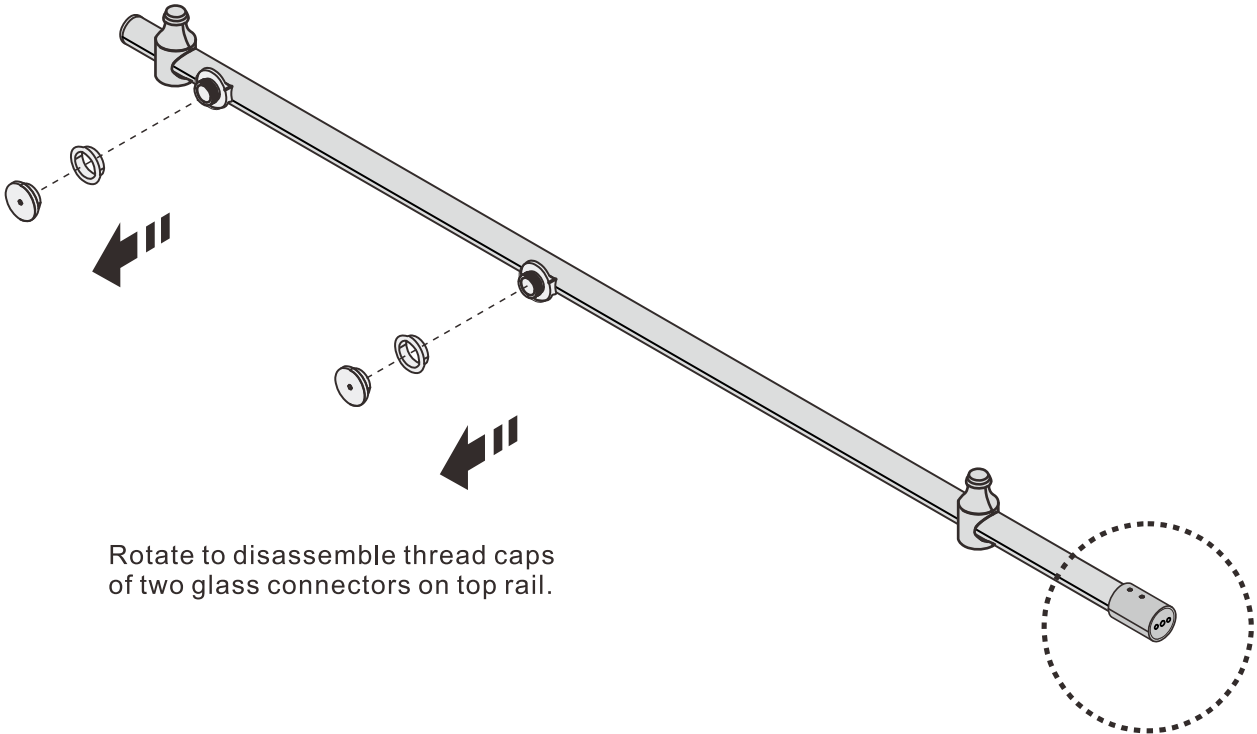
WALL CHANNEL INSTALLATION



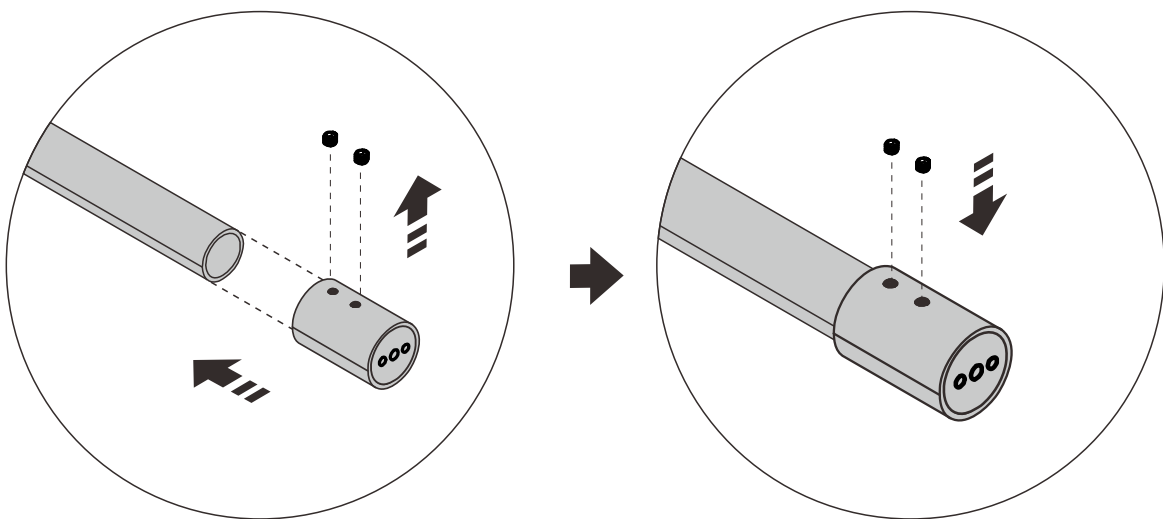
TRAIL INSTALL FIX GLASS



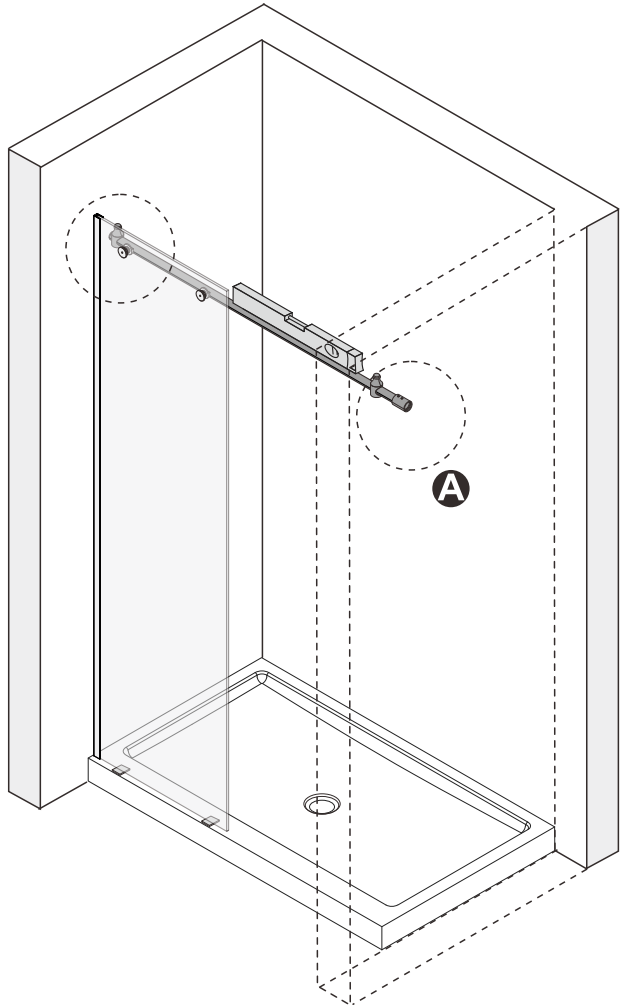
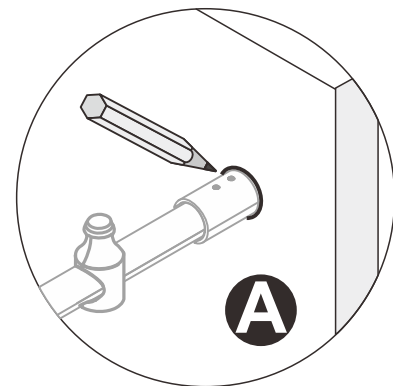
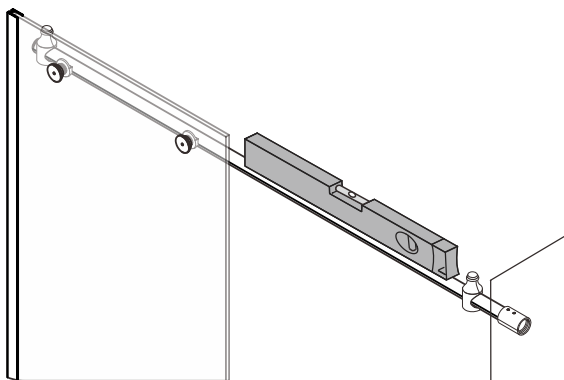
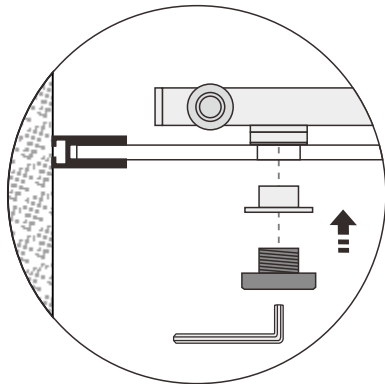
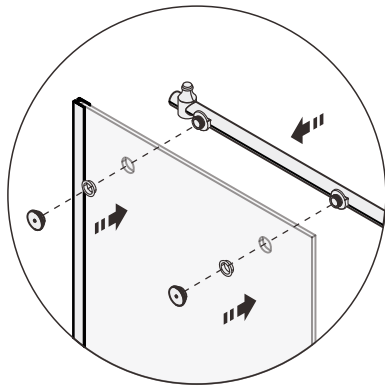
PREPARATION FOR TOP RAIL INSTALLATION



Rotate to disassemble thread caps
of two glass connectors on top rail.

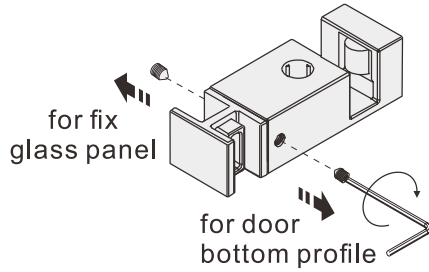


TRIAL INSTALL TOP RAIL/MARK HOLES LOCATION

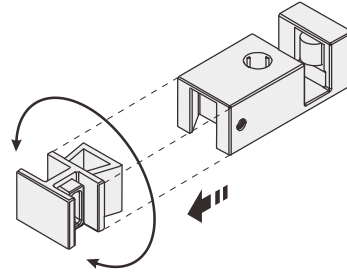


MARK HOLES LOCATION FOR CENTER GUIDER

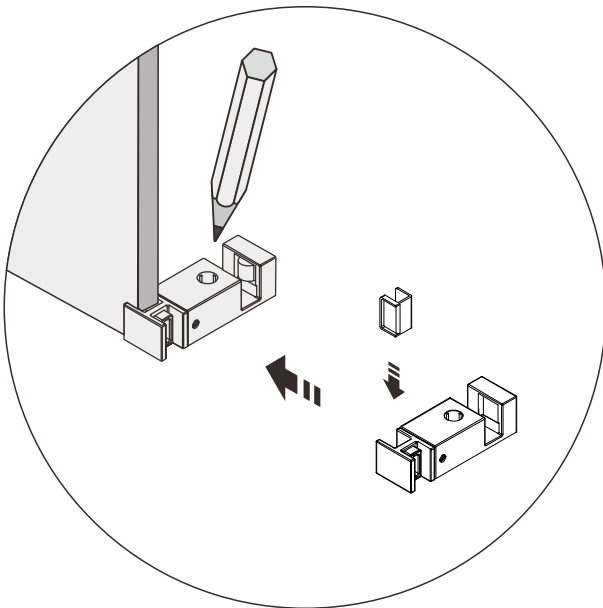
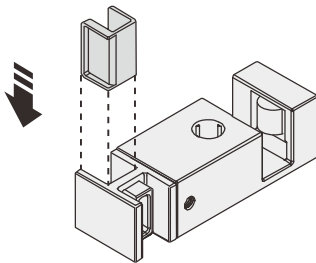
The following bottom center guide shows left-handed sliding.



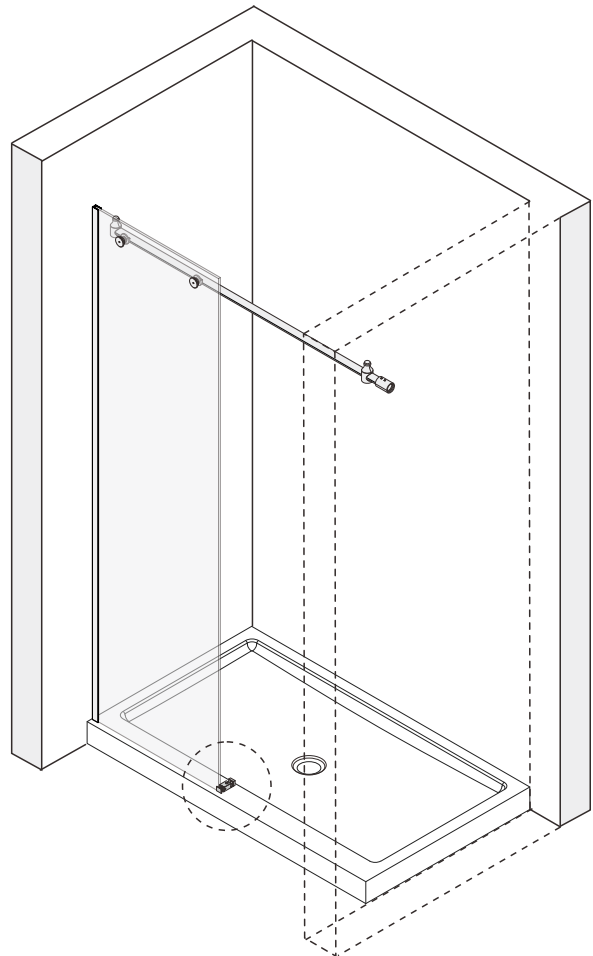
For right-handed sliding, twist hexagonal screw to separate outer part then reverse to refix.



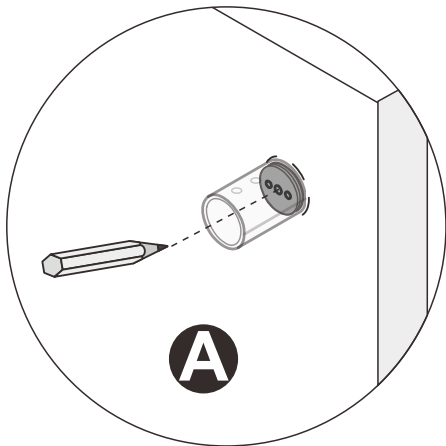
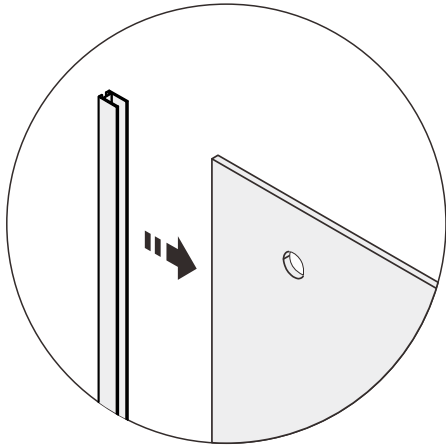
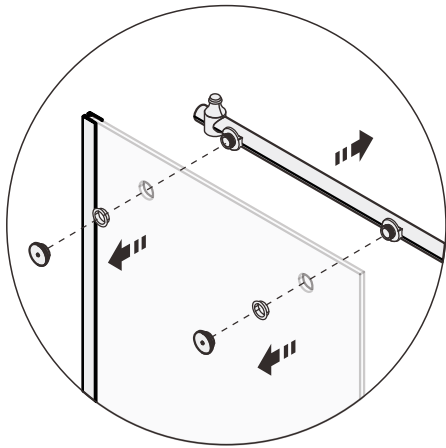
thicker side



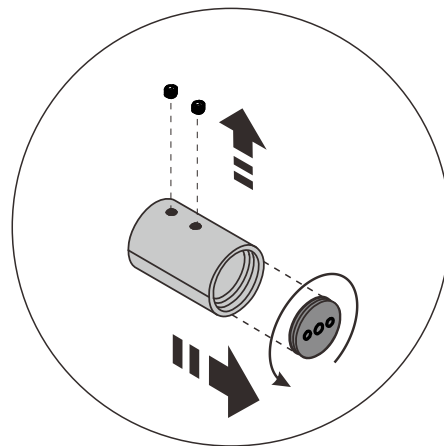
Note: The thicker side of washer should be mounting to the outside.



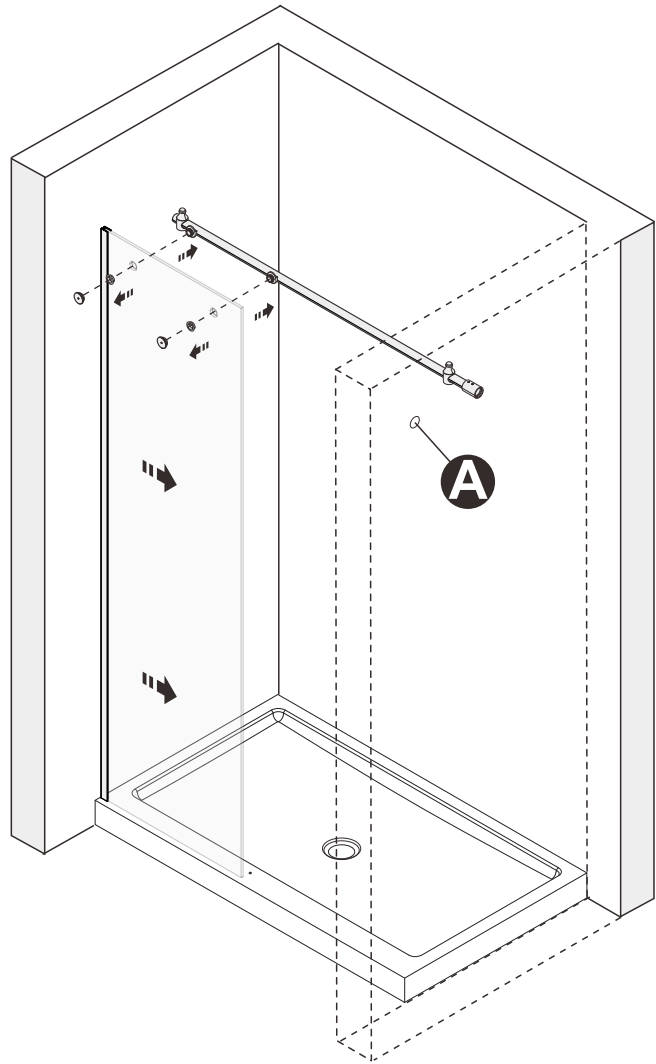
REMOVE TOP RAIL AND FIX GLASS PANEL



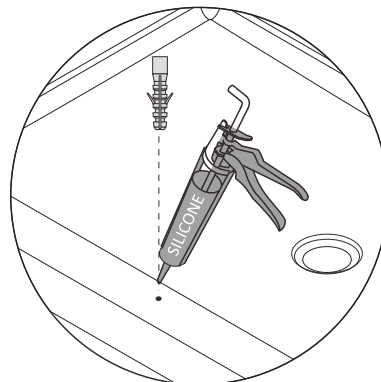
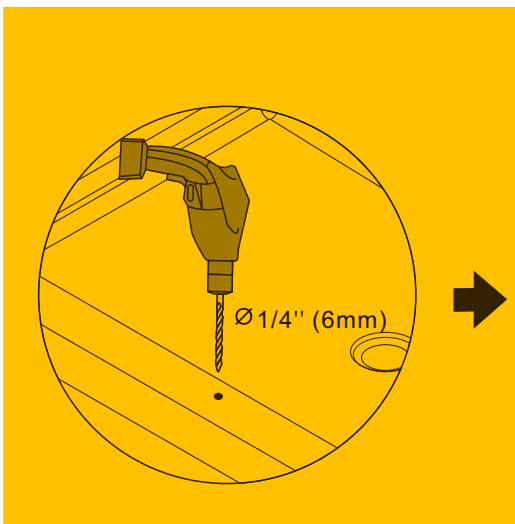
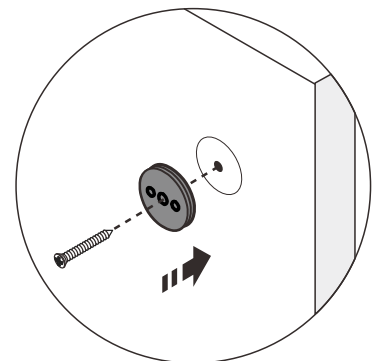
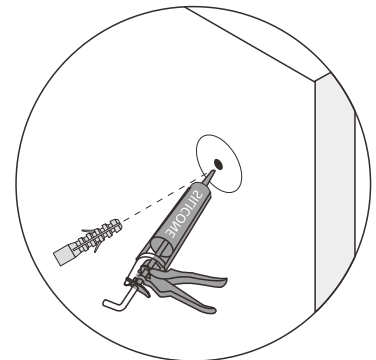
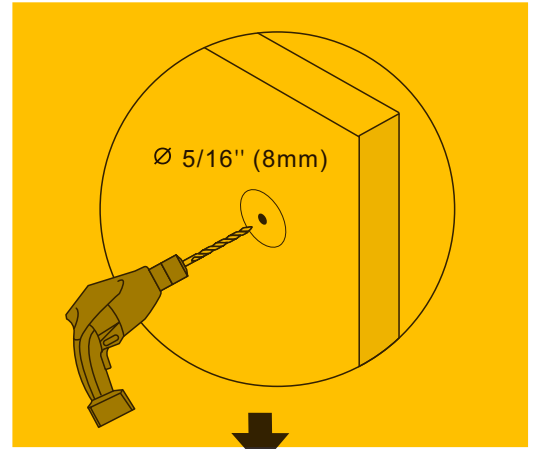
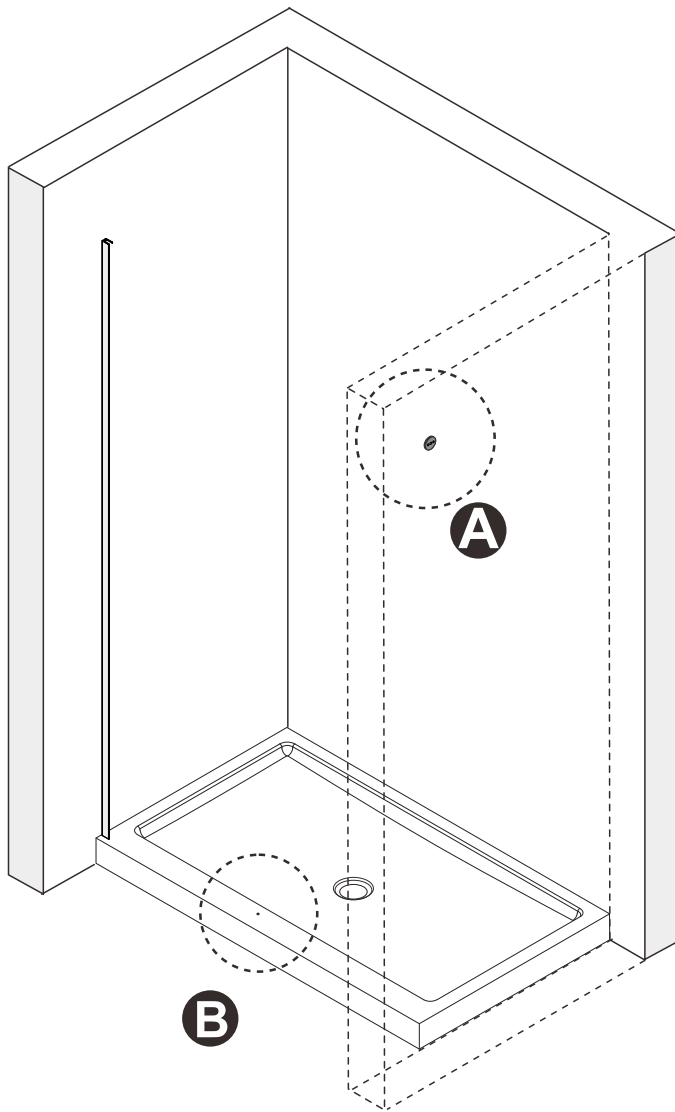
Put wall bracket at position
to mark middle hole



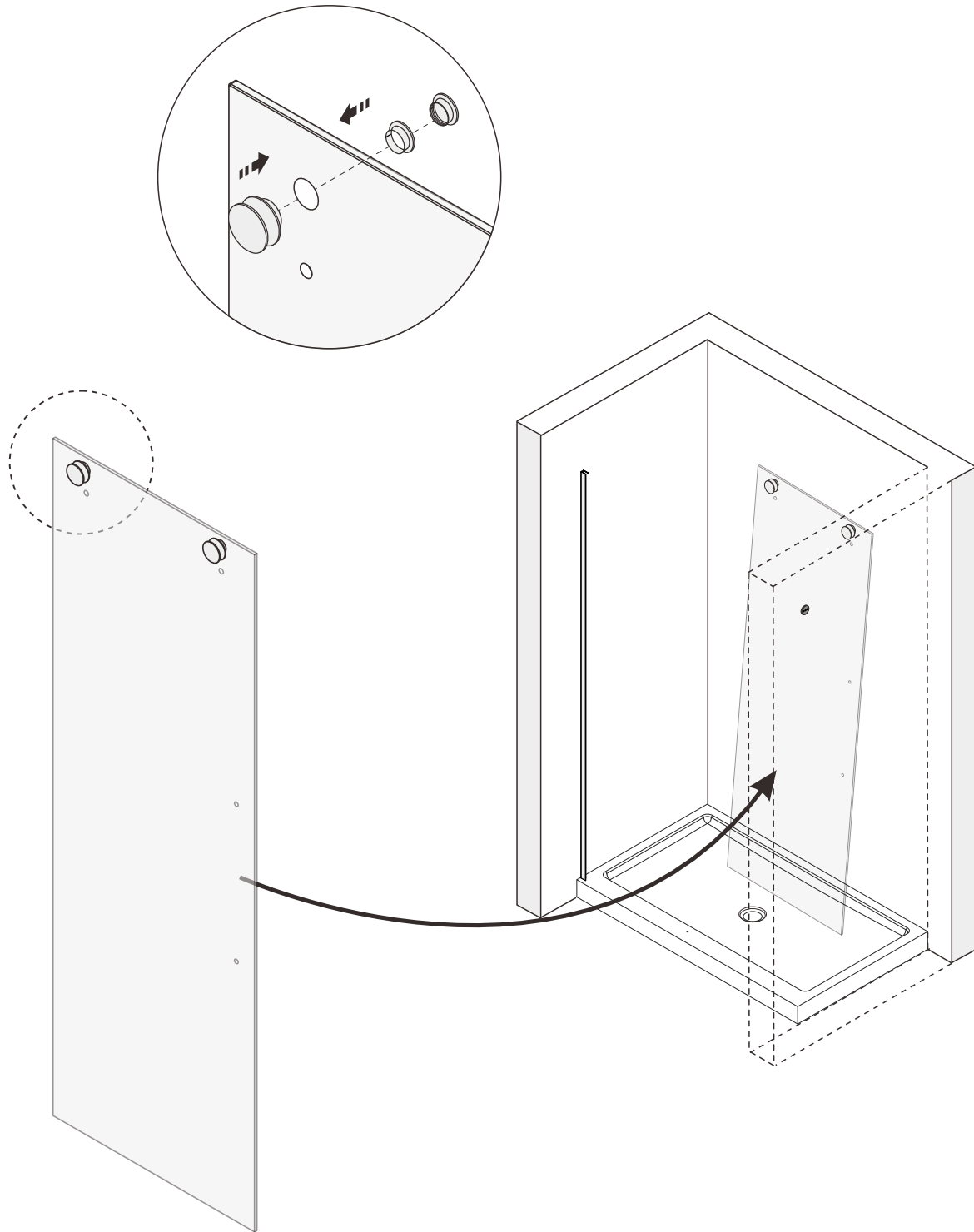
Disassemble wall mounting
plate for installation



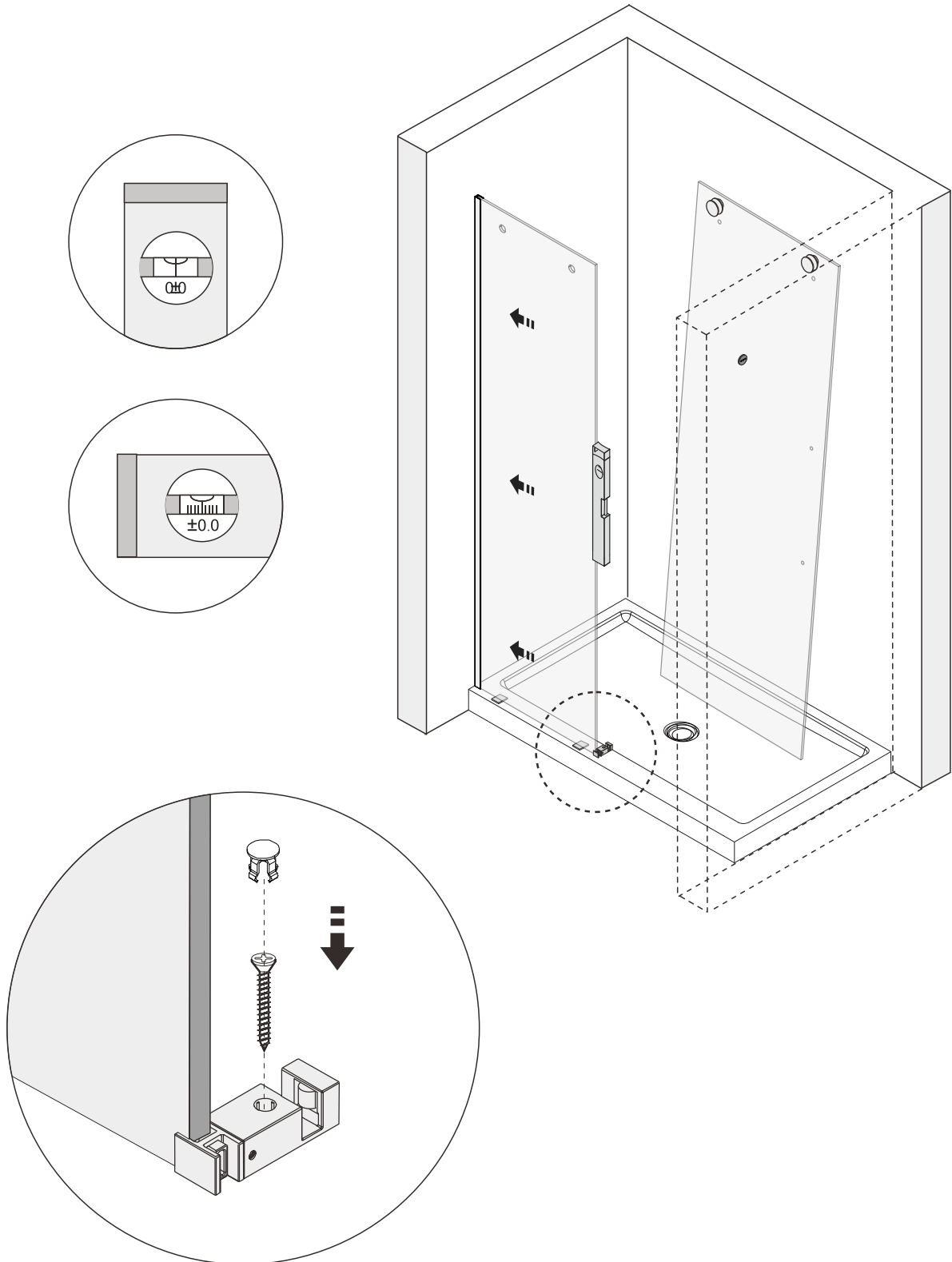
DRILL HOLES/INSTALL WALL MOUNTING BRACKET



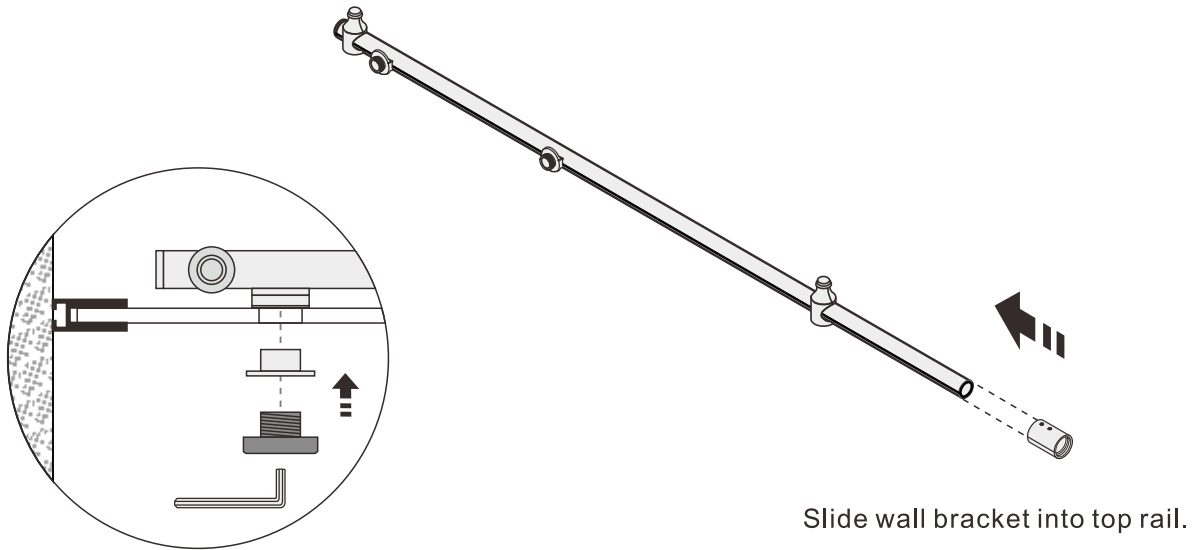
DOOR ASSEMBLY



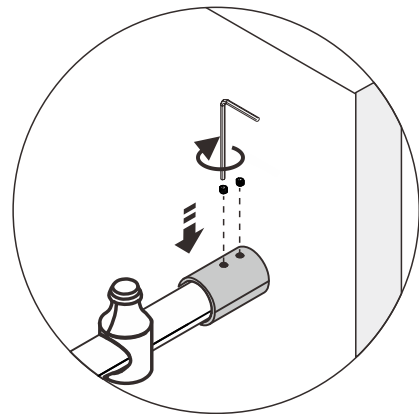
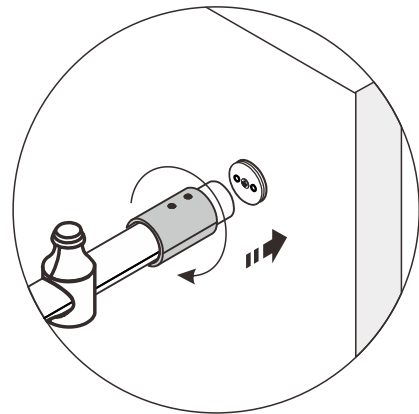
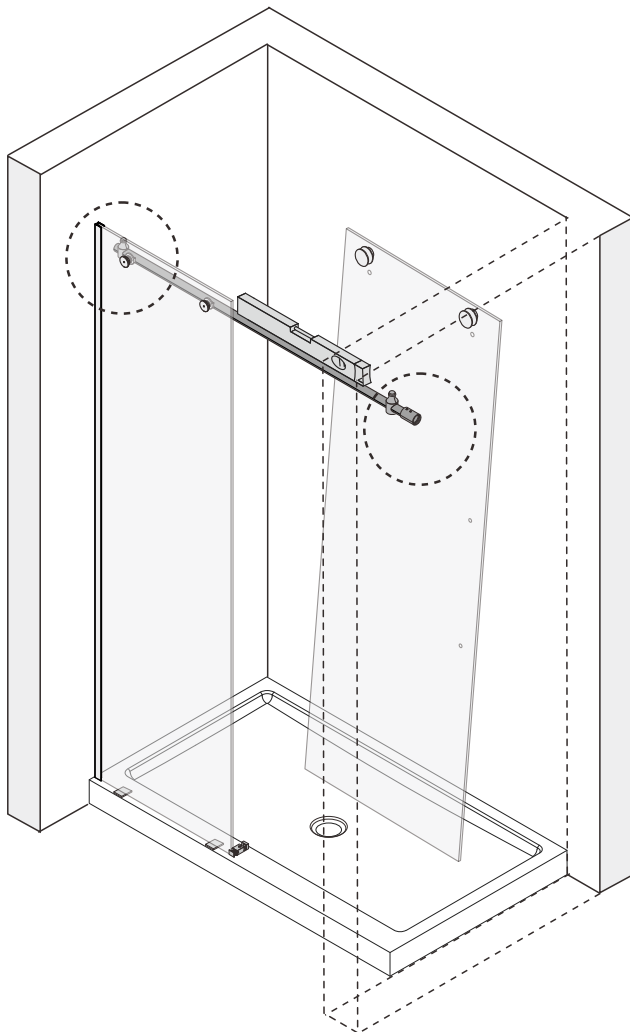
INSTALL FIX GLASS PANEL/CENTER GUIDER



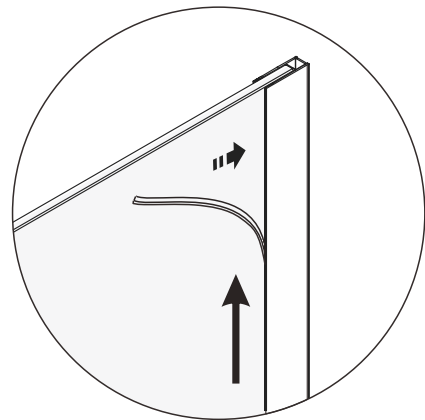
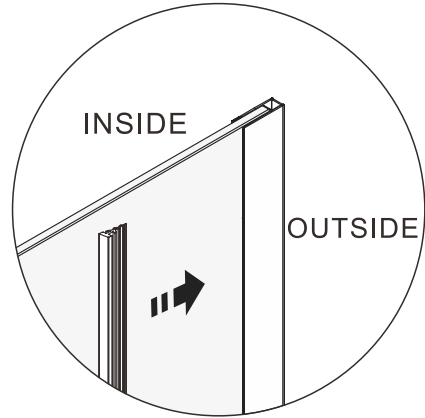
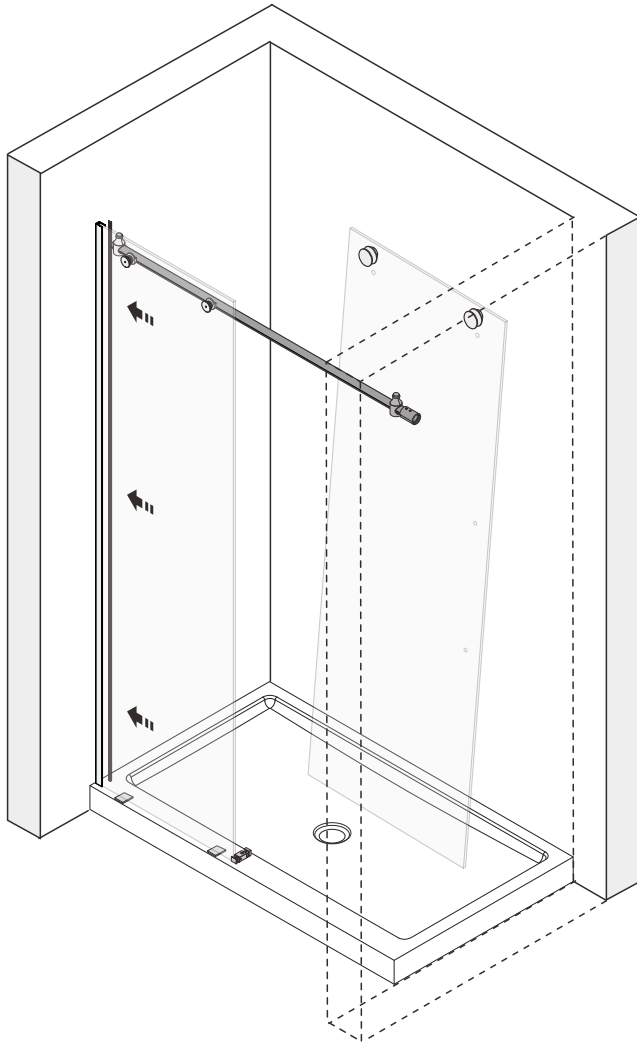
TOP RAIL INSTALLATION



Slide wall bracket into top rail.

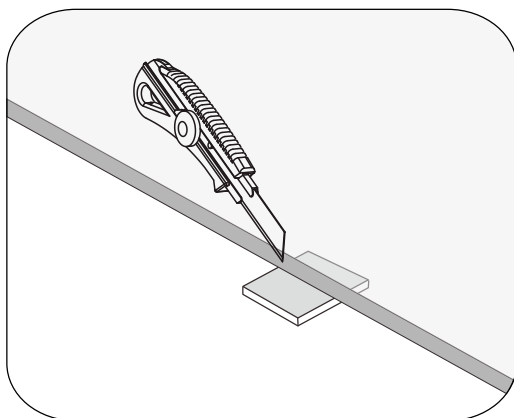


INSTALL SEAL GASKET FOR WALL PROFILE



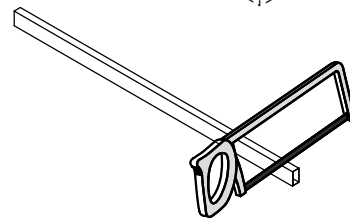
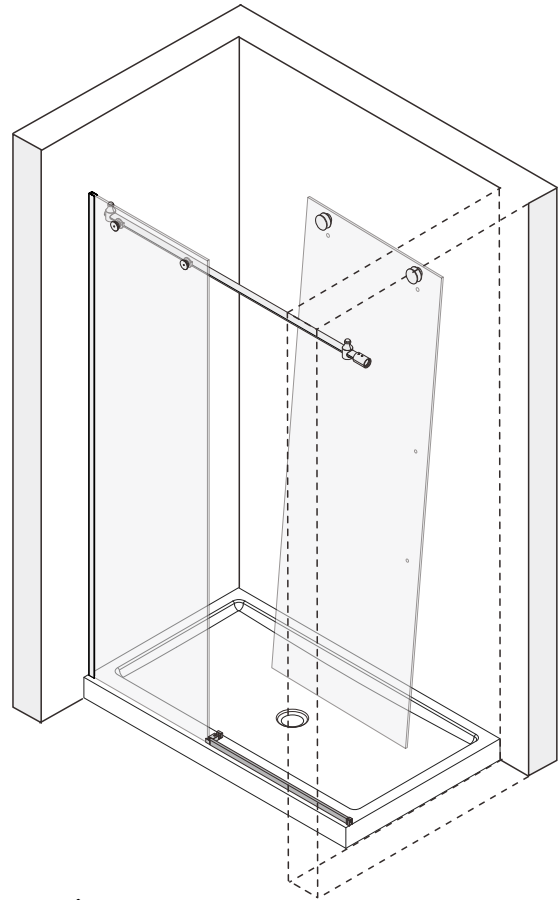
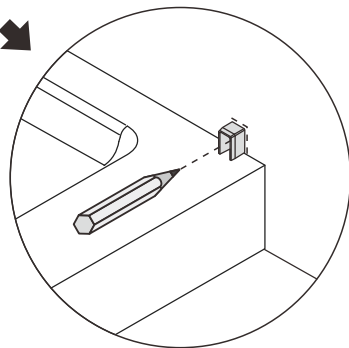
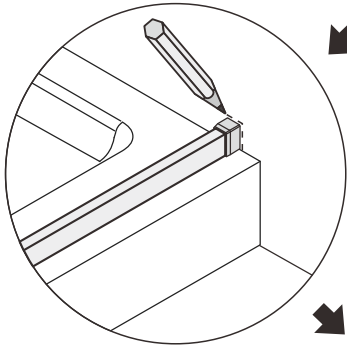
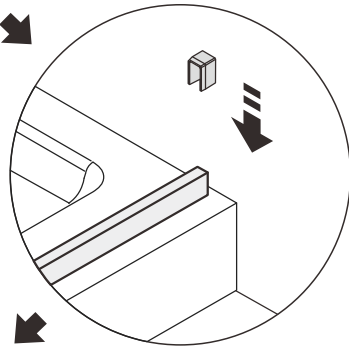
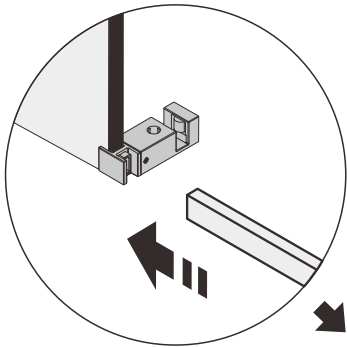
To prevent looseness problem it is recommended to caulk with silicone before install seal gasket.

The seal gasket should be installed at outer side for fixing the gap between wall profile and glass

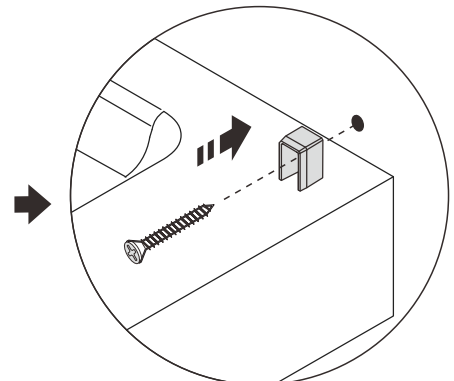
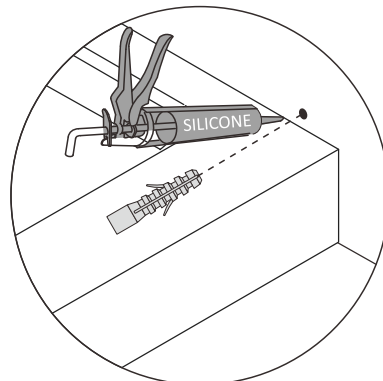
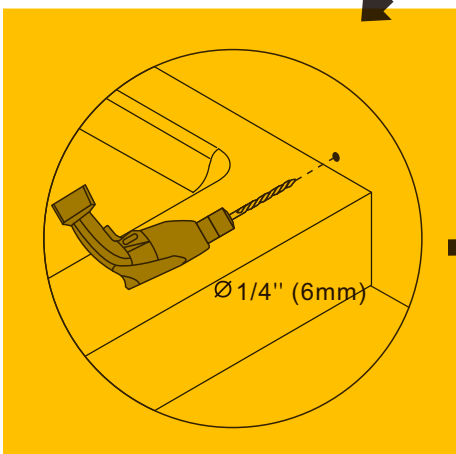


Cut the bottom washer

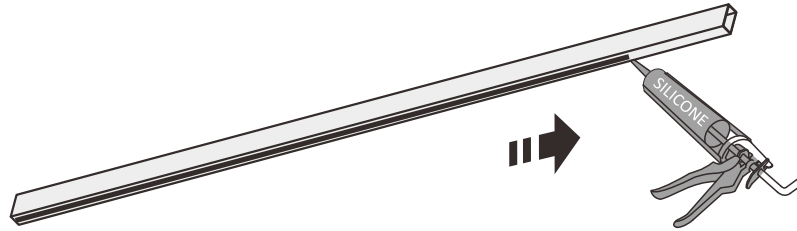
DOOR BOTTOM PROFILE INSTALLATION



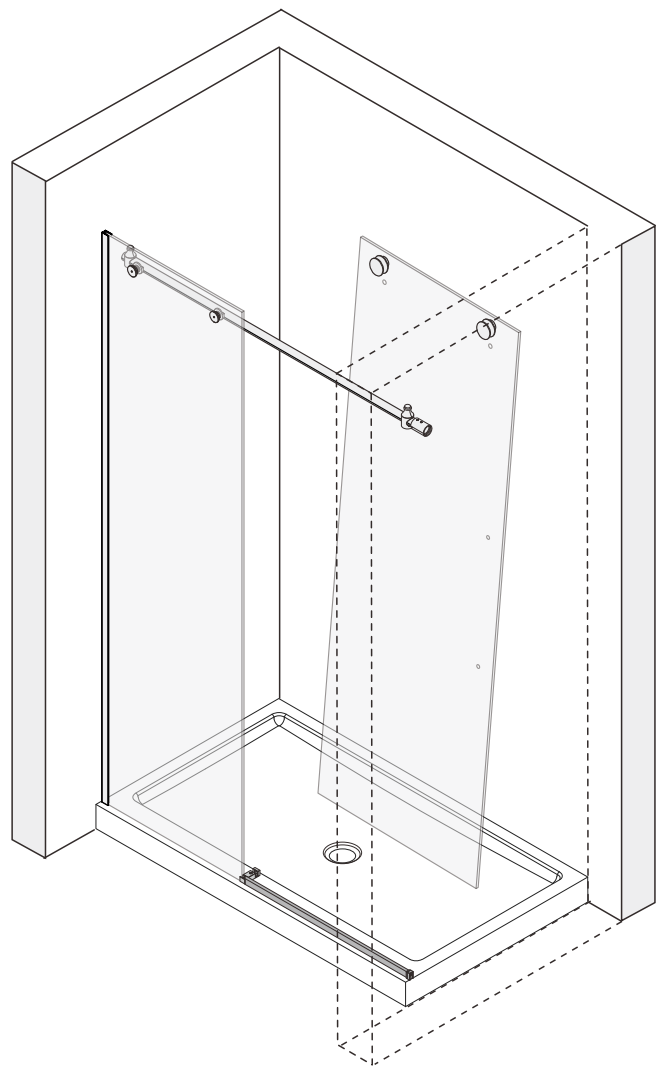
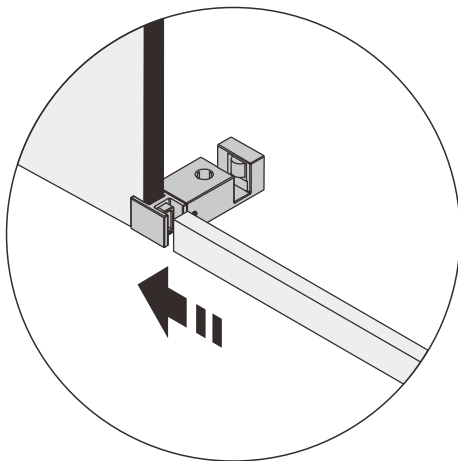
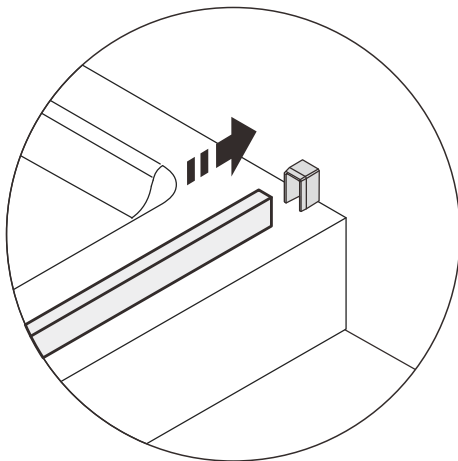
When necessary, cut the door bottom profile length to ensure it can fit inside properly.



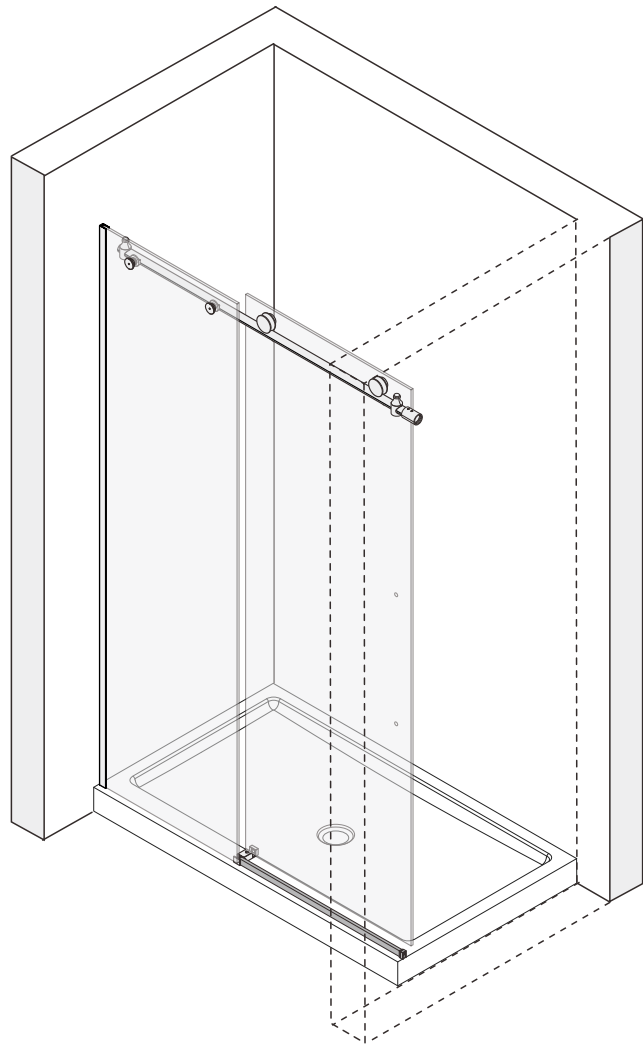
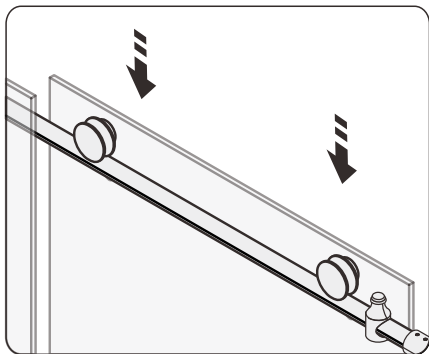
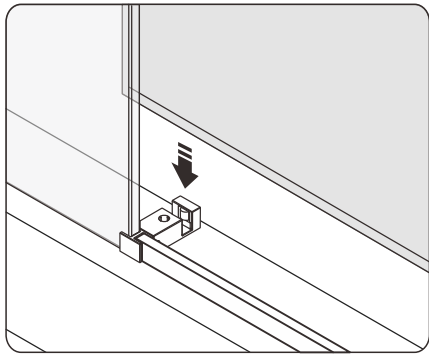
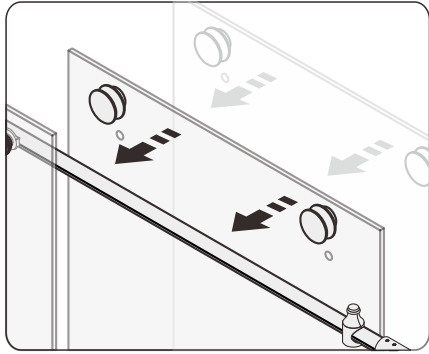
DOOR BOTTOM PROFILE INSTALLATION



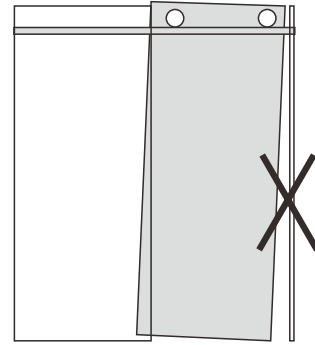
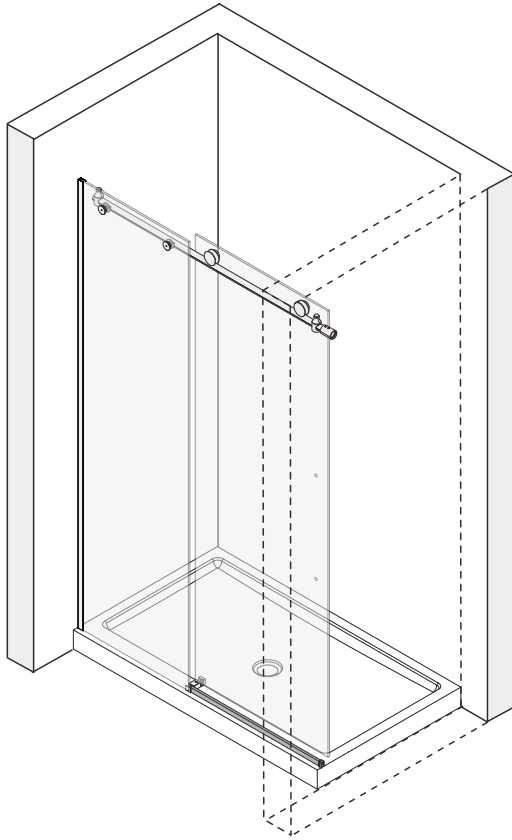
Caulk silicone at bottom of door profile.



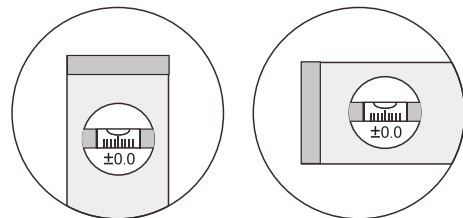
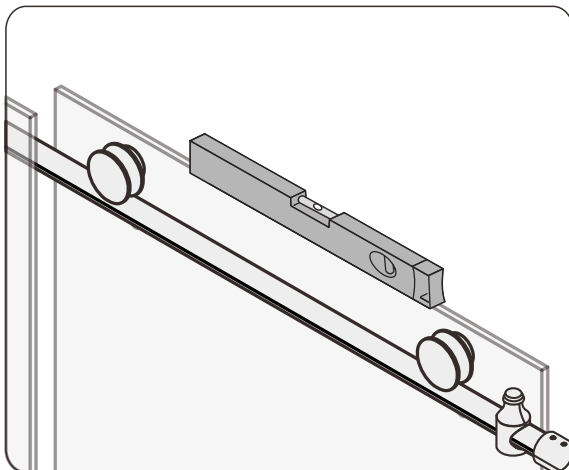
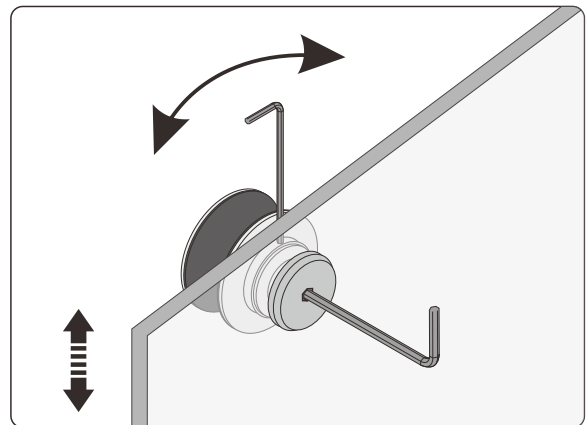
GLASS DOOR PANEL INSTALLATION



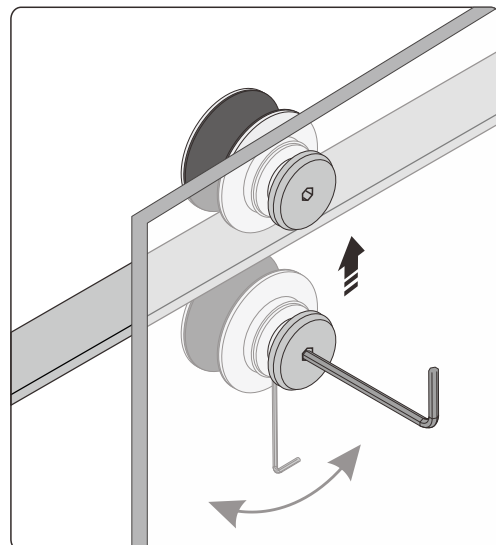
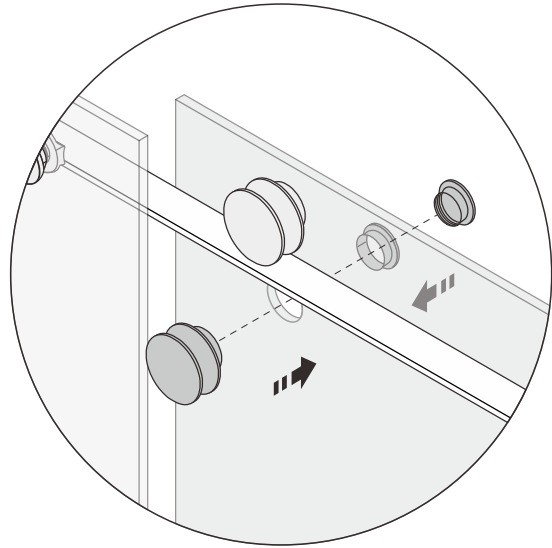
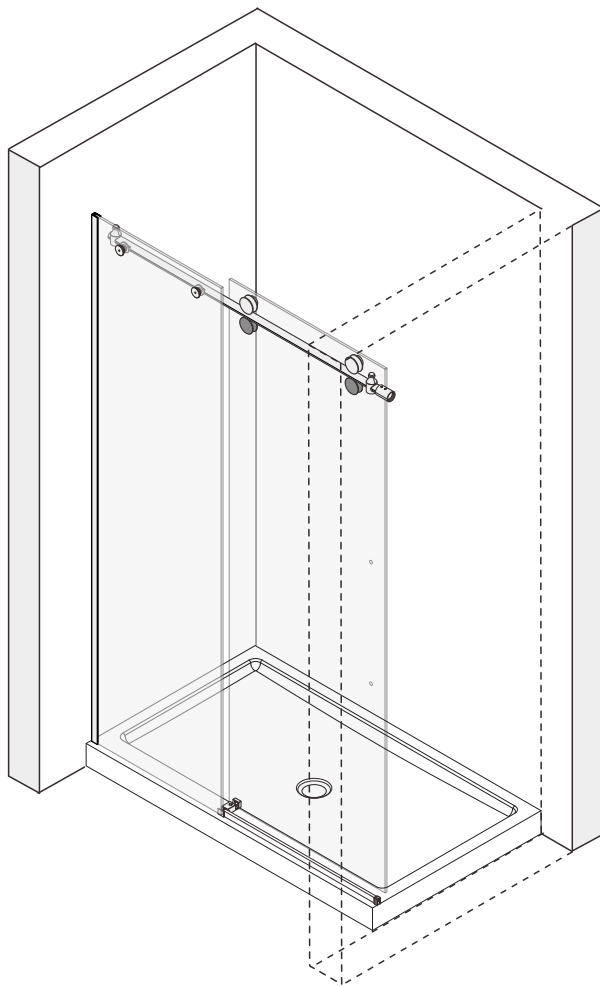
DOOR HEIGHT ADJUSTMENT



Carefully slide the door toward the wall and check the door closing, if it's unvertical, Make the adjustment by using offset in rollers, so that the sliding door is parallel to the tray.

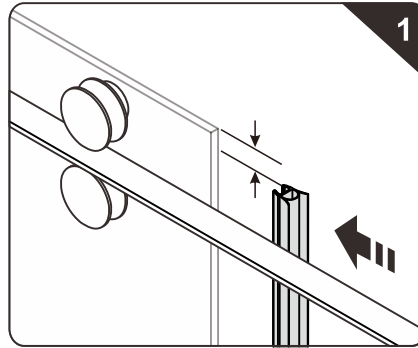
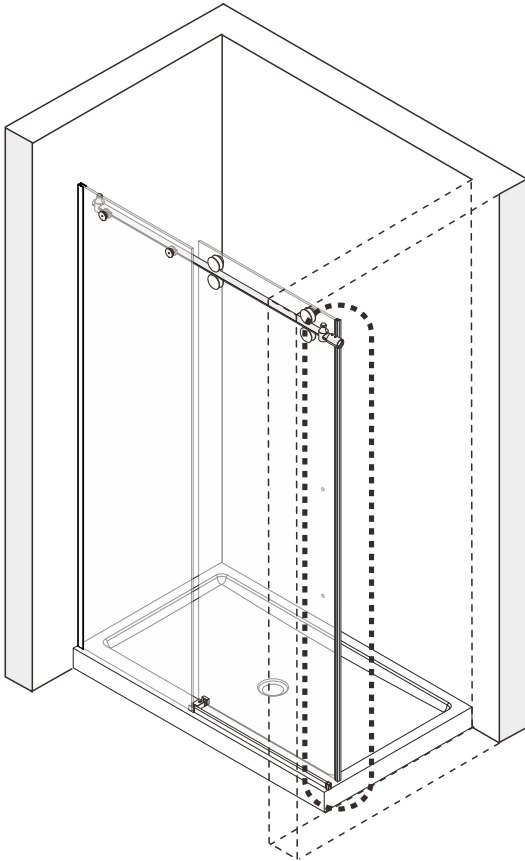


INSTALL BOTTOM ROLLER



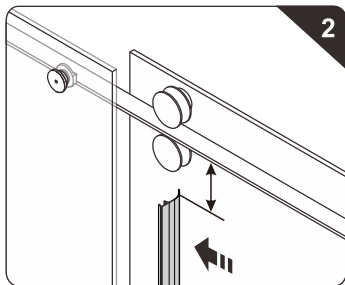
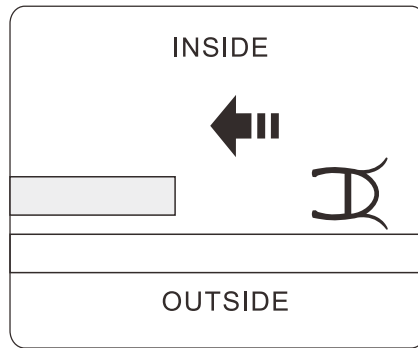
Make the adjustment by using offset in rollers, to ensure the bottom rollers are close to the rail.

SEAL STRIPES INSTALLATION

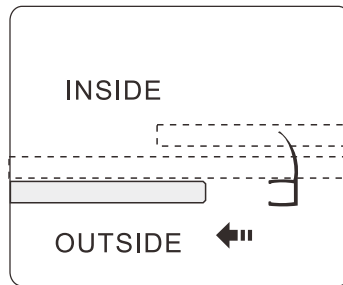


Seal stripes for door panel

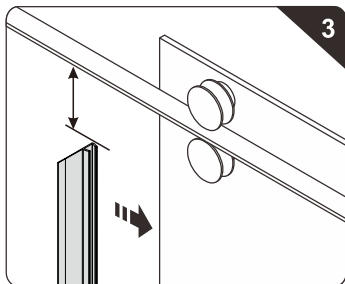
Recommended cutting length 0.35"(9mm) to avoid scratches



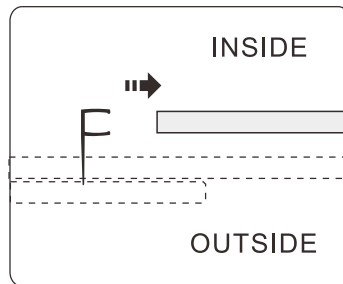
Recommended cutting length 4.33"(110mm) to avoid scratches



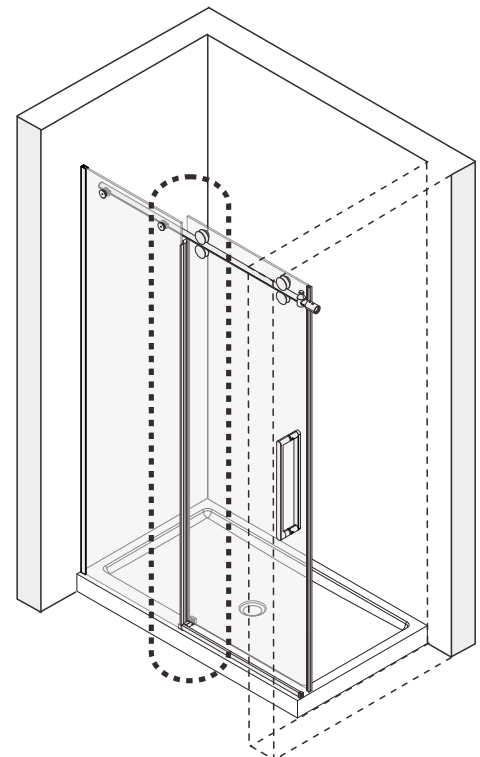
Curved edge seals for fix panel



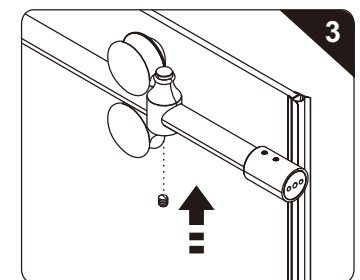
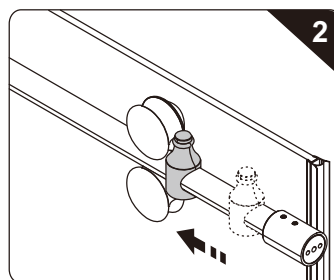
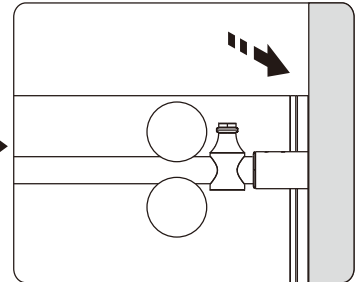
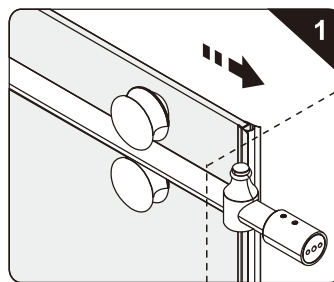
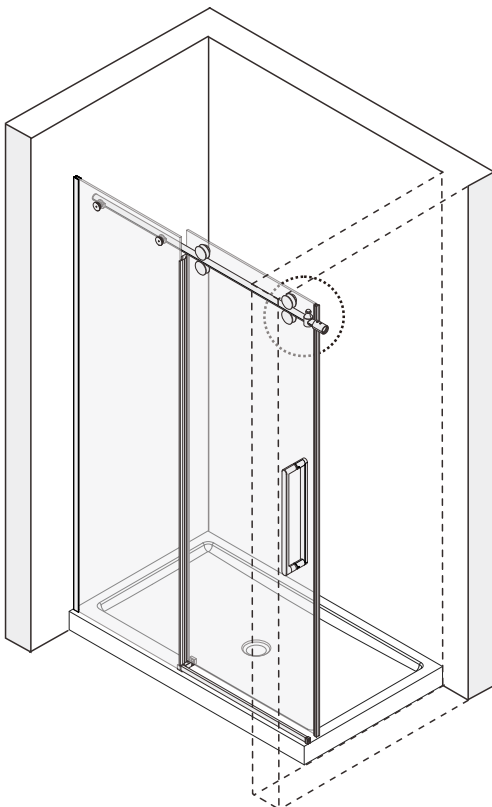
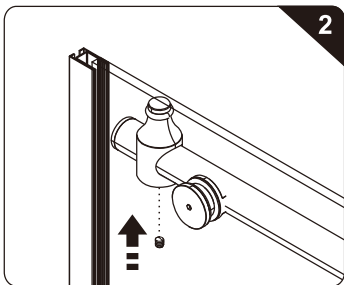
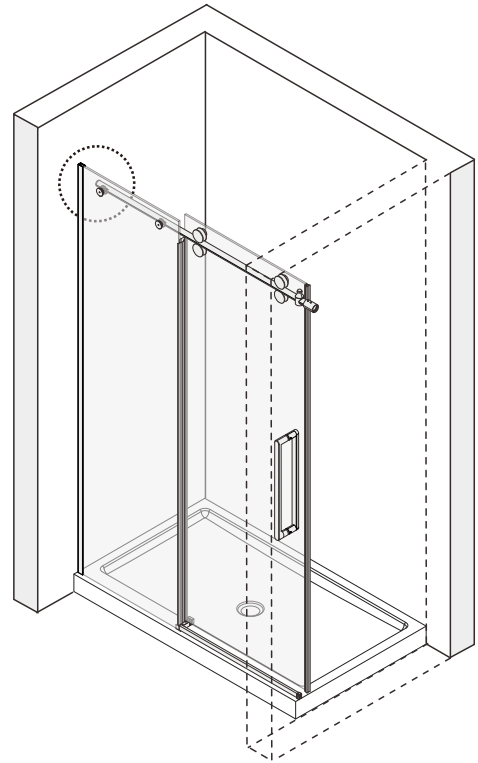
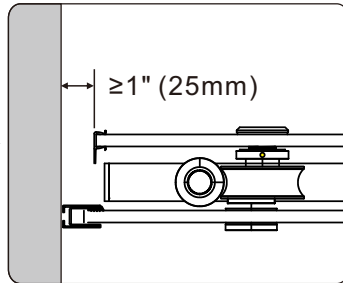
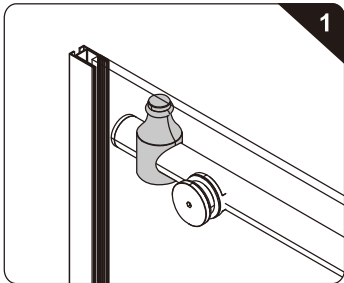
Recommended cutting length 4.33"(110mm) to avoid scratches



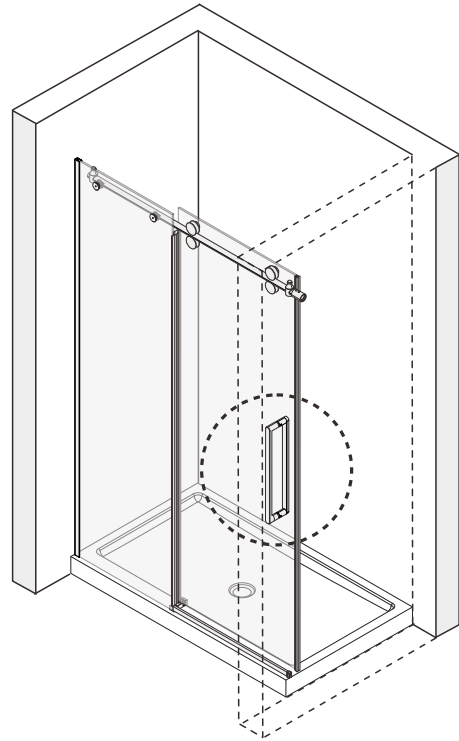
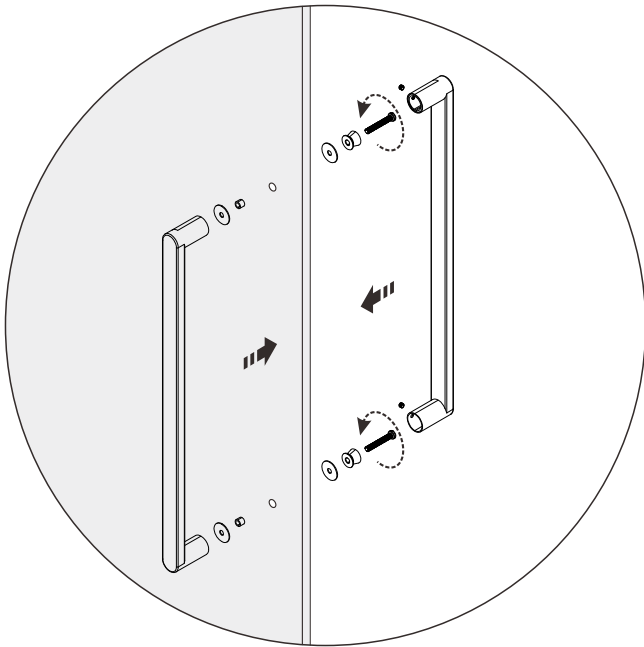
Straight edge seals for door panel



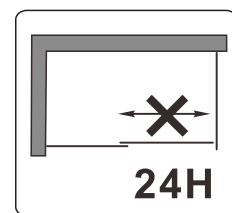
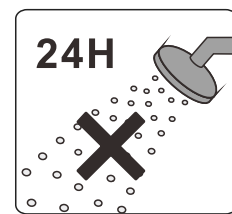
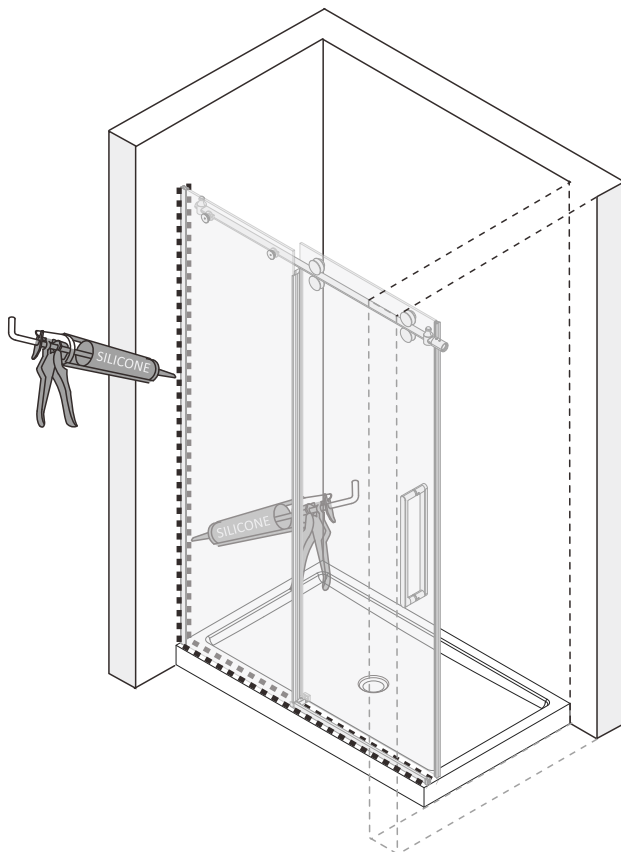
ADJUSTMENT FOR STOPPER



HANDLE INSTALLATION



CAULKING SILICONE



FOR YOUR SAFETY, PLEASE OBEY THE FOLLOWINGS!

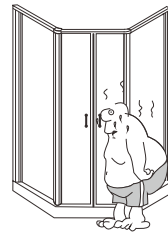
In order to avoid any safety problems and accidental injuries, please read the "Safety Notices" carefully before using this product. Please refer to the conditions listed below and use this product correctly to avoid accidents (Highly recommended to keep this manual for future reference) .

Below are some examples of risky behavior, please avoid such dangerous behavior.



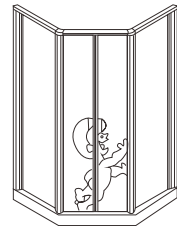
FORBIDDEN

Please do not let the children or the disabled enter the shower room alone, otherwise they may be hurt.



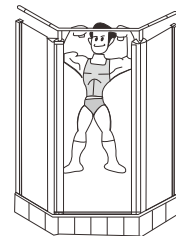
FORBIDDEN

Please do not let children play inside.



FORBIDDEN

Please do not hanging heavy objects.



ATTENTION

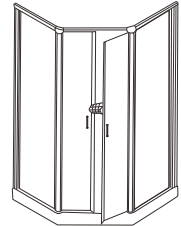
Please note, bathroom floors are slippery, please pay attention to the threshold when enter and exit to avoid slipping.



FOR YOUR SAFETY, PLEASE OBEY THE FOLLOWINGS!

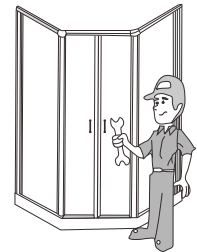
 **FORBIDDEN**

Please do not place your hands between the gaps to prevent crushing.



 **Caution Points**

- To avoid damage, please do not rub or hit the door.
- Worn caulk may cause water leaks, please check and re-caulk promptly.



- The following items may cause physical harm and may damage the shower. Please do not use them in your bathroom.

Acid and alkaline solvents, medicine (e.g hydrochloric acid), acetone thinner, solvents, cleanser, polishers, nylon brooms or sand paper.

