

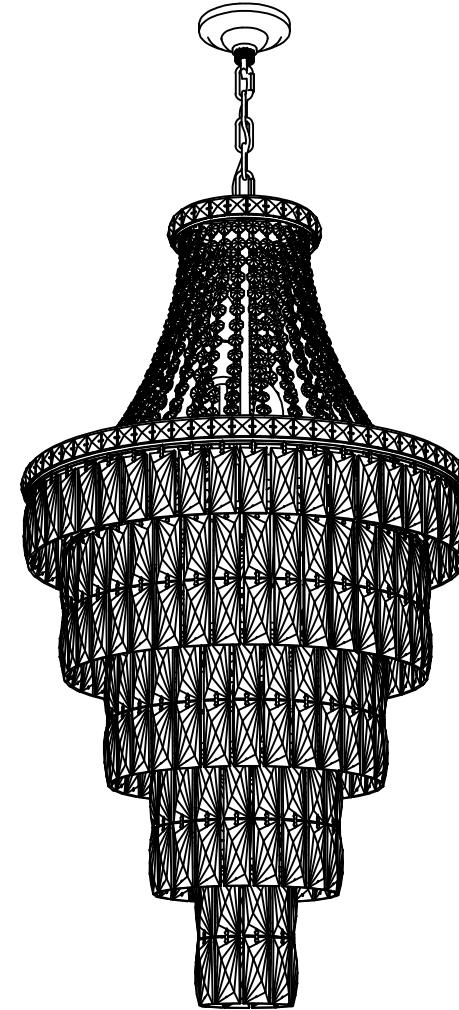
# INSTALLATION MANUAL

## WARRANTY & SERVICES

1 year warranty services are provided for this light fixtures.

We provide 24-hour customer service, and any questions you have will be answered within 24 hours. If you have any questions or problems during the warranty period, please feel free to contact us via email, your order ID and details are preferred so that our customer service will help you more quickly and accurately!

**Note:** please use this light fixture accordingly to its intended purpose, do not retrofit or remodeling this light fixture. The warranty does not cover if the failure is caused by the third party product, or natural disasters.



- ◆ Require 13 pieces E12 bulbs(110V, Max 60W),not included in package, if you want it dimmable, please purchase a dimming bulbs with matched dimmer.
- ◆ For transportation safety, the product needs to be partially assembled
- ◆ please wear gloves for installation, especially when hanging crystals



## SAFETY INSTRUCTIONS

These instructions are provided for your safety. It is very important that they are read completely before beginning the installation of your fixture.

1. WE RECOMMEND INSTALLATION BY A LICENSED ELECTRICIAN.
2. This fixture require 13 pieces E12 bulbs(not included in product) , bulb rated wattage Max 60W. To avoid risk of fire, do not exceed the recommended wattage.
3. If any special control devices are used with this fixture, follow the instructions carefully to assure full compliance with N.E.C. requirements. If there are any questions, contact a qualified electrical contractor.
4. please make sure shut off the main electrical supply before installation, changing bulbs or cleaning light fixture.



## WARNINGS

THIS IS NOT A TOY AND THE PRODUCT HAS NO PLAY VALUE.

Keep at least 3 ft away from cribs, bassinets, and toddler beds.

Keep out of reach of children under 3.

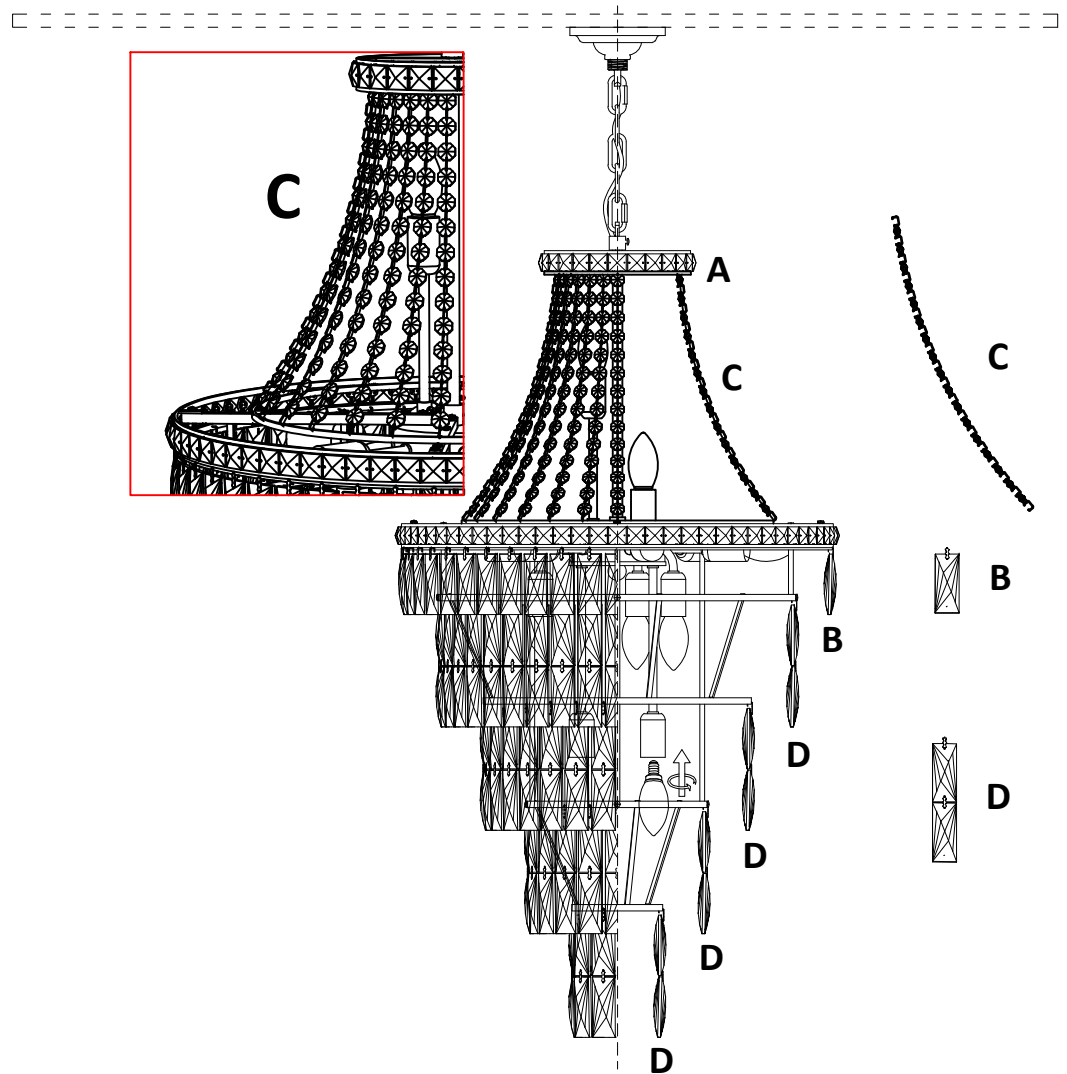


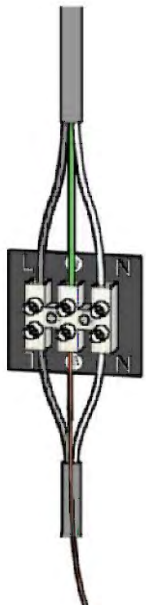
## PREPARATION

1. Before begining installation, make sure all parts are included refer to the contents diagrams(PACKAGE CONTENTS). if any Part is missing or damaged, do not attempt to assemble, install or operate the product.
2. 13 pieces E12 bulbs(Max.40W) are required.
3. Any question or problem, please feel free to contact us via email.

## Step VI

Put on E12 bulbs and hanging crystals as shown

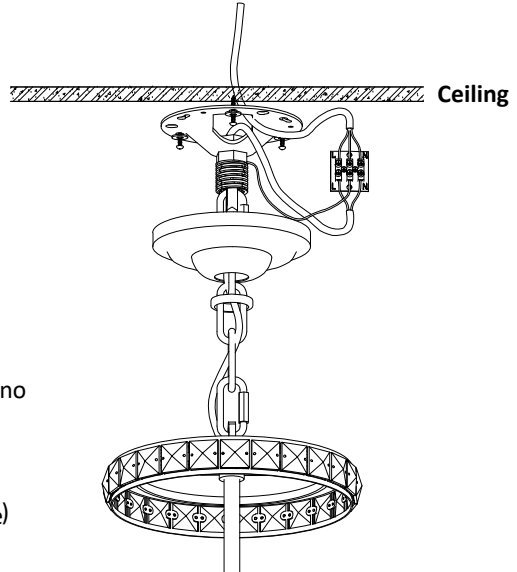




**HOUSE WIRES**  
 Black(live wire)  
 White(neutral wire)  
 Green(ground wire)

**LAMP WIRES**  
 2 Transparent wire  
 (Live and neutral wire, no need to distinguish)

Brass wire(ground wire)

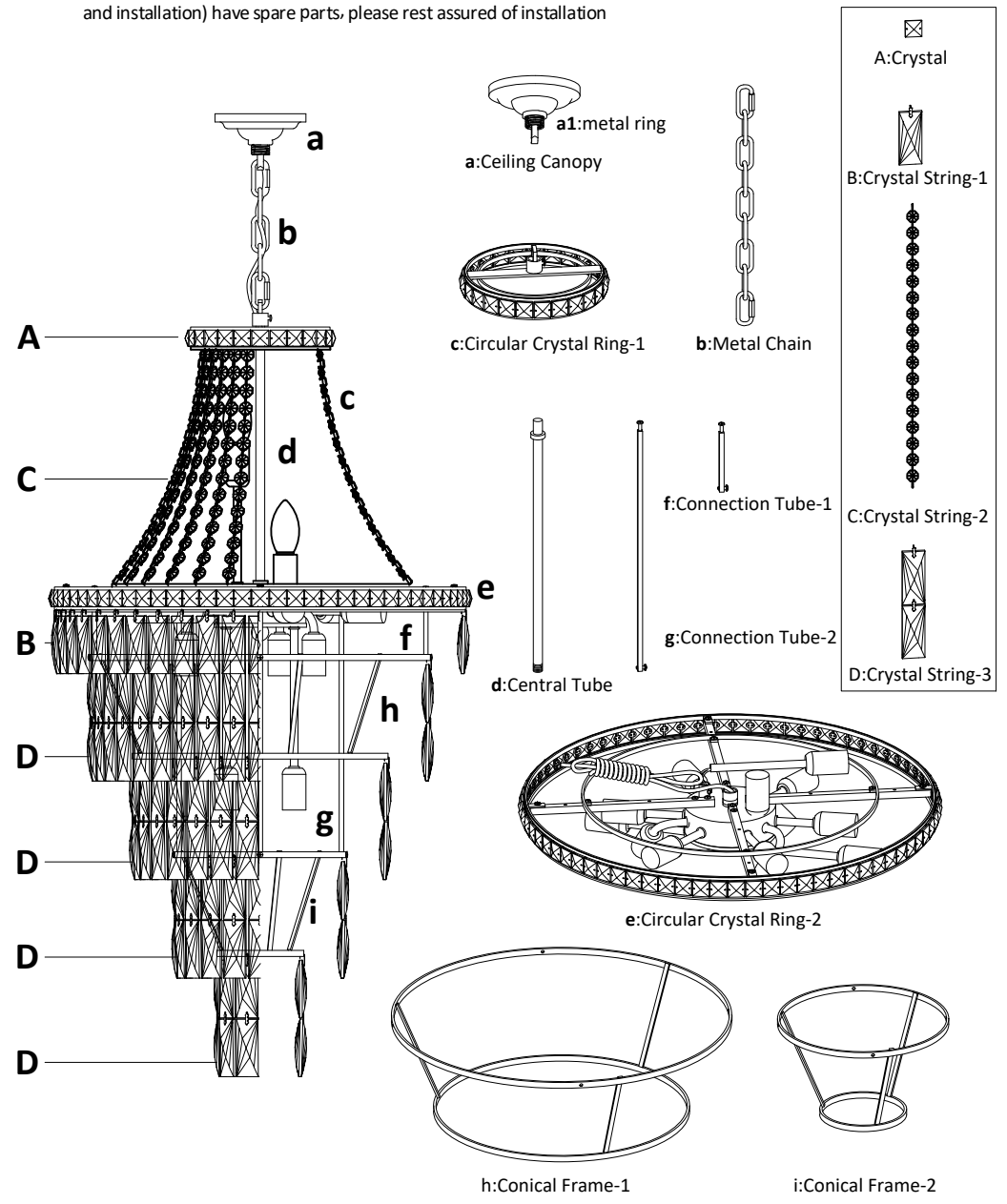


**NOTES:**  
 The diagram is only for reference installation method of ceiling plate, please install according to the actual ceiling situation.  
 If you don't need such a long chain, please cut it appropriately short before hanging it. If you want to increase the length of the hanging chain and wires, please purchase eligible wires and hanging chains that meet the standards and replace and install it by professional electricians.

**WARNING:** Never connect ground wire to black or white power supply wires.  
 please make sure shut off the main electrical supply before installation.

## PACKING CONTENTS

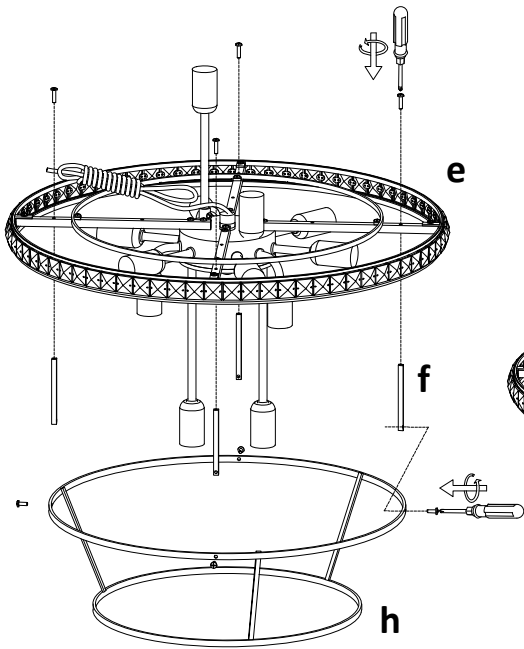
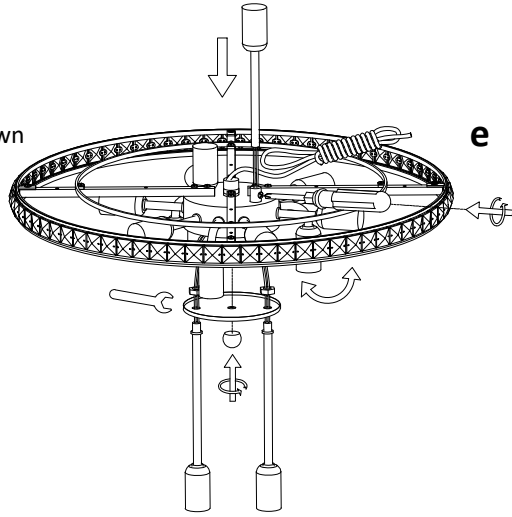
The main accessories are listed below all fragile or easily lost parts (including during transportation and installation) have spare parts, please rest assured of installation



# INSTALLATION STEPS

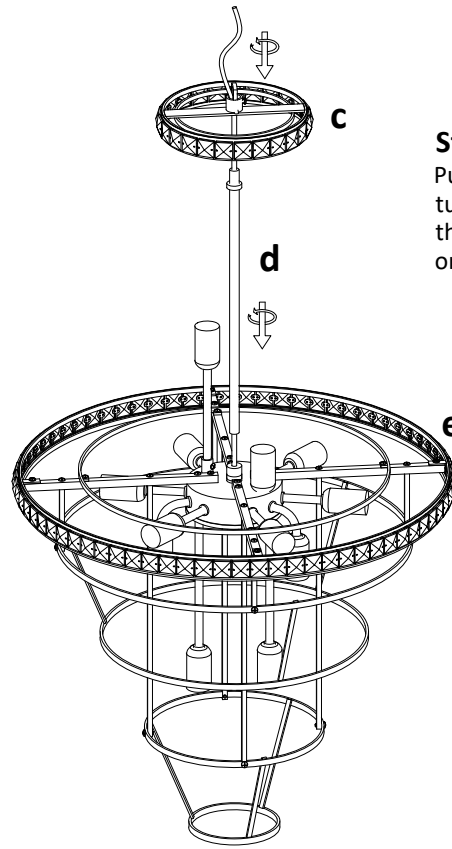
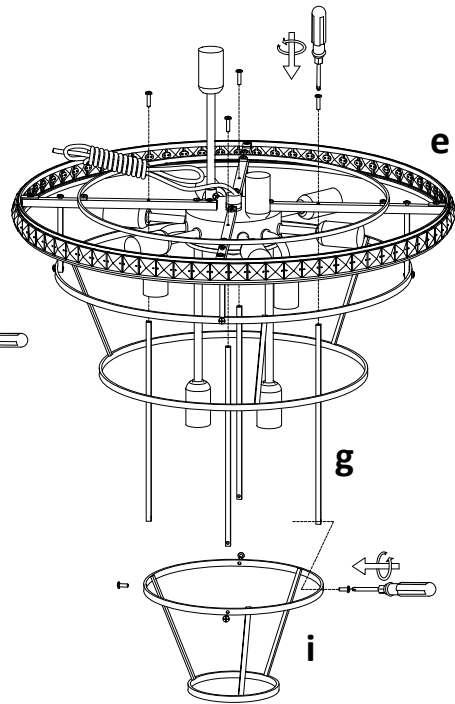
## Step I

Open the light bases box on Circular Crystal Ring-2( ), fix the light holder with screws as shown



## Step II

Fix Conical Frame ( ) on Circular Crystal Ring-2( ) via 4 pieces connection Tubes( )



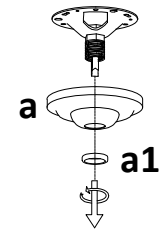
## Step III

Put the Circular Crystal Ring-1( ) on the central tube( ). then screw the bucket nut (on the Metal Chain( )) onto the central tube( )

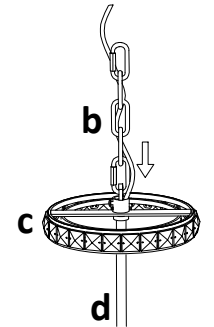
## Step IV

Install the lamp frame on ceiling in the order shown in the diagram

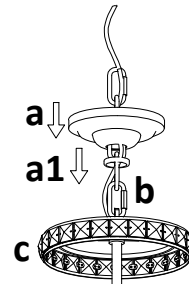
① Remove metal ring from ceiling canopy. Take off the ceiling bracket



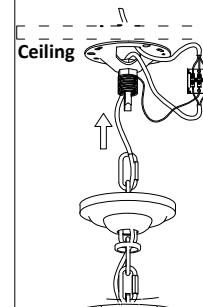
② Connect metal chain with lamp frame



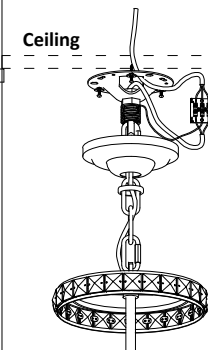
③ Thread metal chain and main wire through the metal ring(a) and ceiling canopy(a)



④ Install ceiling bracket on ceiling and connect metal chain with ceiling bracket



⑤ Connect wires (detail on next page)



⑤ Fix ceiling canopy on ceiling bracket via metal ring(a1)

