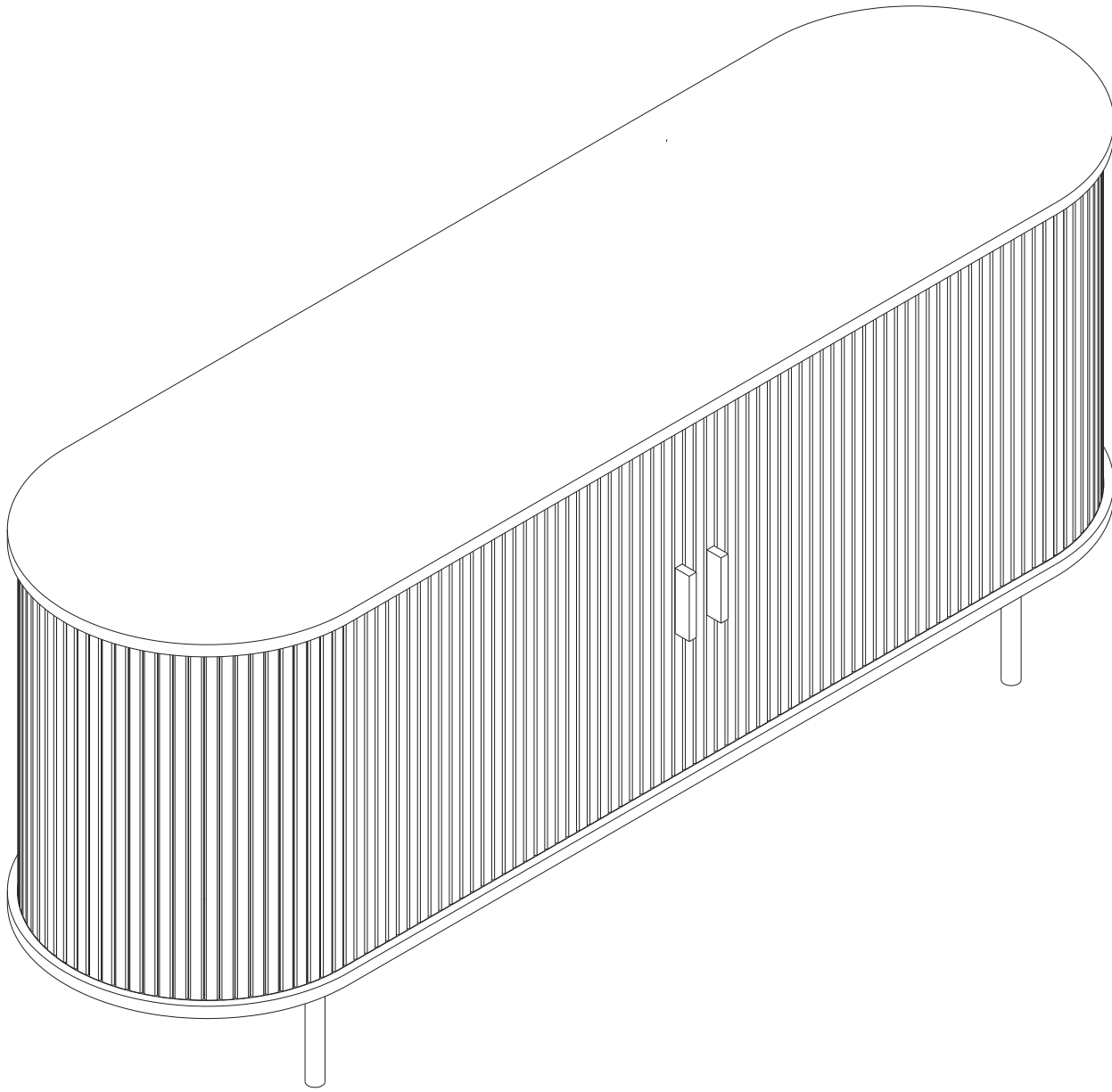


# Tambour Door Sideboard

Assembly Instruction



## INTRODUCTION

Thank you for purchasing our products. Please read the instructions carefully before installation and keep it in a safe place for future reference. If you need any assistance or support, please feel free to contact our customer support team.

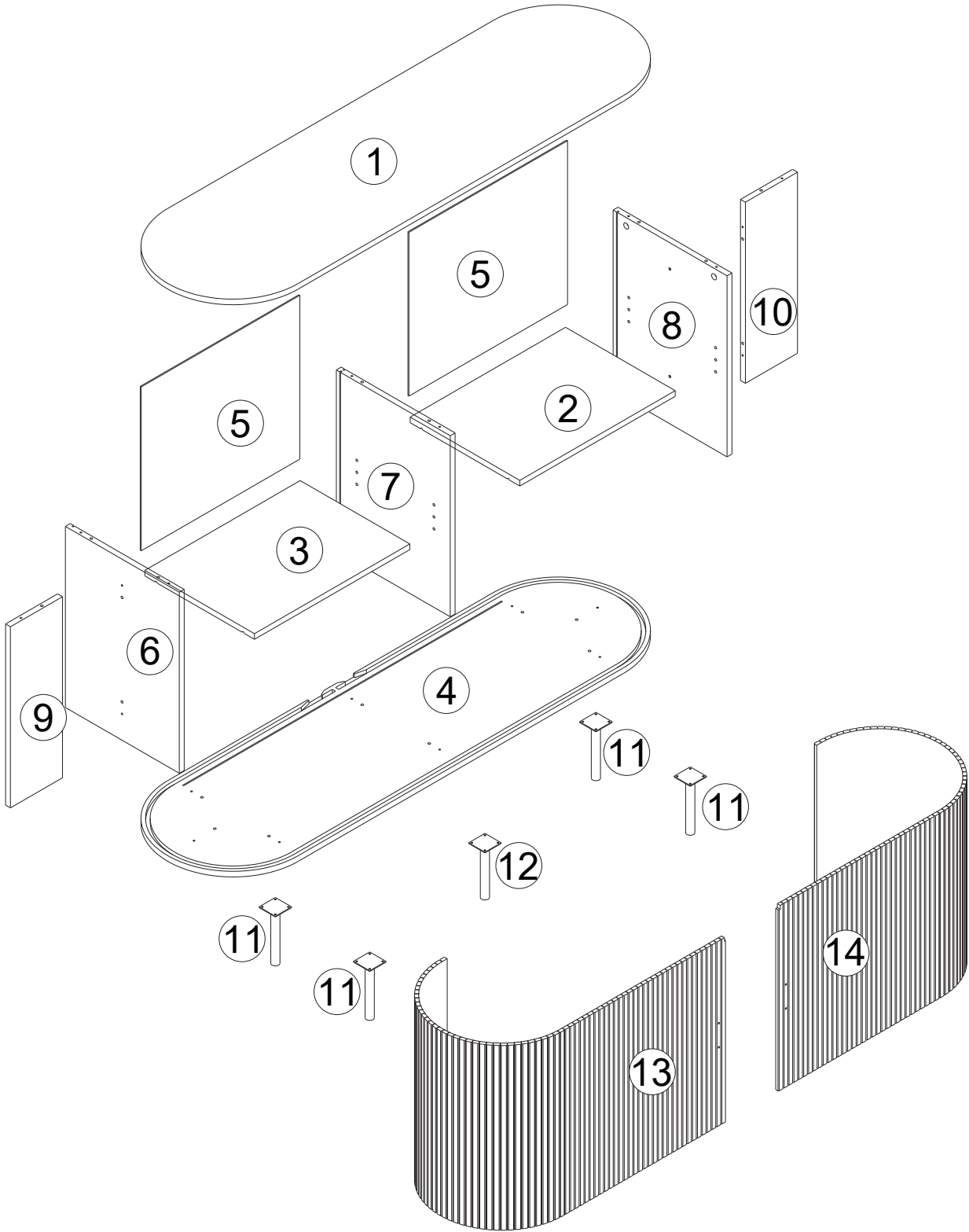
## PRECAUTIONS

1. There are many components and accessories in the package. Each component and accessory is labeled with a letter or a number, check carefully before using any of them. Keep them away from children to prevent accidents.
2. Please install the product on a clean and soft underlay (such as carpet or cardboard) to avoid scratching or damaging the surface of the product.
3. The main components of the product is relatively heavy. Please pay attention to safety during installation.
4. The product is not stable during installation. Please do not move it randomly before it is completely installed.
5. This product requires two people to install.
6. If you have any questions during installation, please contact the customer service in time.

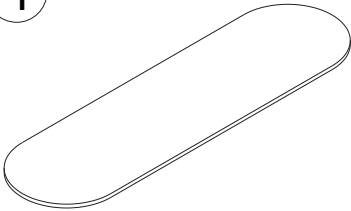
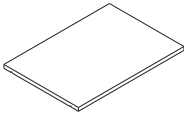
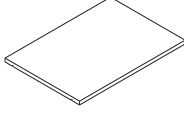
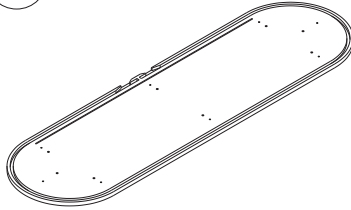
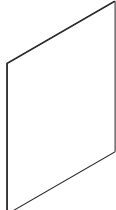

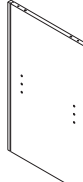
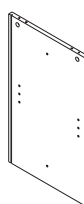
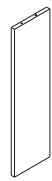



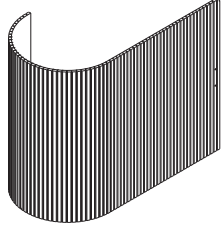
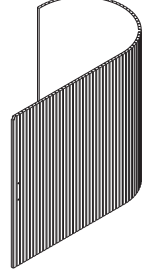
**\*PLEASE BE SURE TO FOLLOW THE INSTALLATION STEPS IN THE MANUAL TO AVOID UNNECESSARY LOSSES CAUSED BY IMPROPER INSTALLATION.**

**\*IF YOU NEED FURTHER ASSISTANCE, PLEASE CONTACT THE CUSTOMER SERVICE ONLINE.**




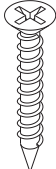


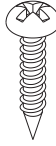
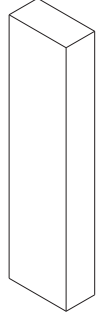



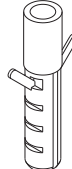
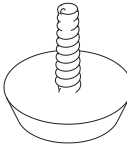
# Parts List



## Parts List

<p>①</p>  <p>x1</p>	<p>②</p>  <p>x1</p>	<p>③</p>  <p>x1</p>
<p>④</p>  <p>x1</p>	<p>⑤</p>  <p>x2</p>	<p>⑥</p>  <p>x1</p>
<p>⑦</p>  <p>x1</p>	<p>⑧</p>  <p>x1</p>	<p>⑨</p>  <p>x1</p>
<p>⑩</p>  <p>x1</p>	<p>⑪</p>  <p>x4</p>	<p>⑫</p>  <p>x1</p>
<p>⑬</p>  <p>x1</p>	<p>⑭</p>  <p>x1</p>	

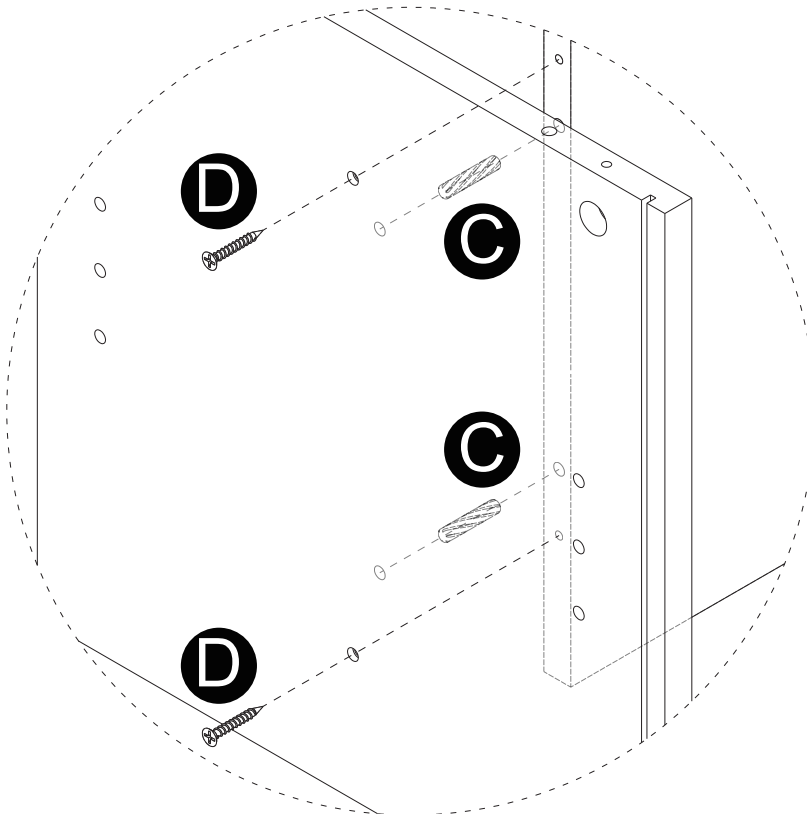
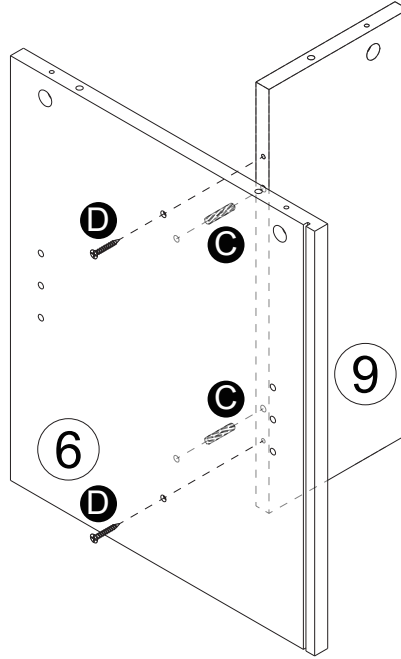
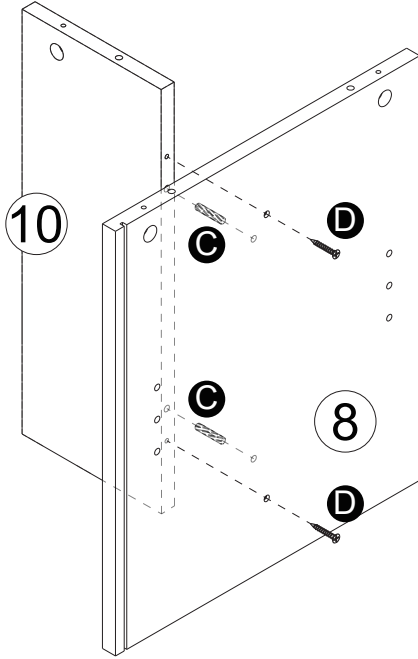
## Hardware list

<b>A</b>  6x35mm x8	<b>B</b>  x8	<b>C</b>  6x30mm x20
<b>D</b>  4x40mm x14	<b>E</b>  x8	<b>F</b>  3x14mm x8
<b>G</b>  4x20mm x4	<b>H</b>  x2	<b>I</b>  x8
<b>J</b>  4x14mm x22	<b>K</b>  x2	<b>L</b>  x2
<b>M</b>  x1		

# STEP 1

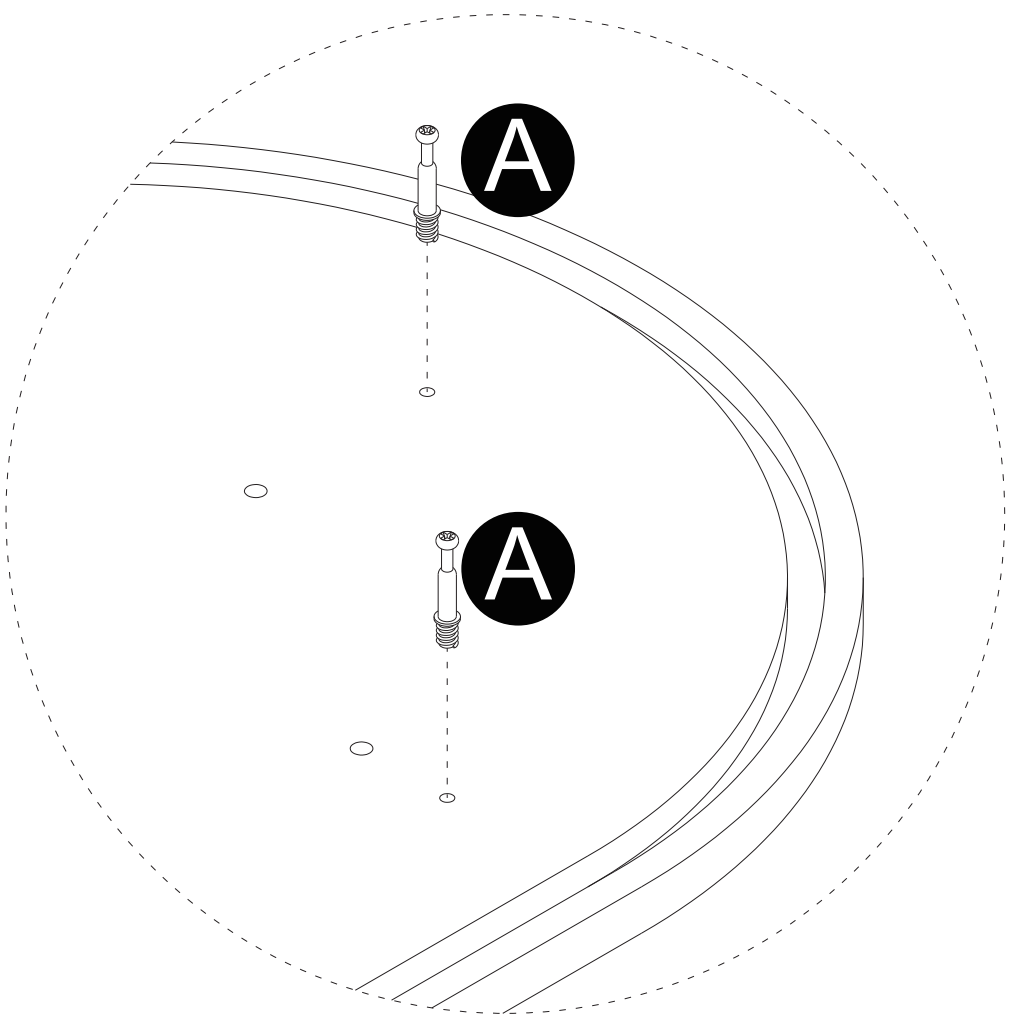
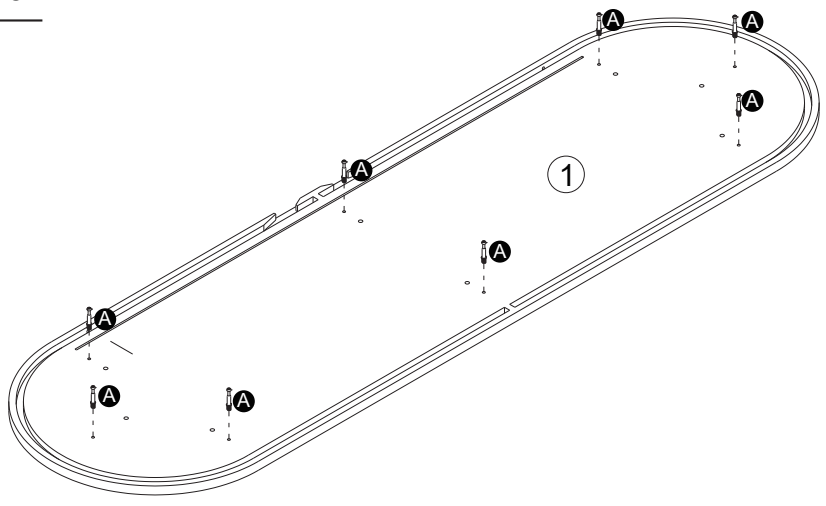
 **C** x 4

 **D** x 4





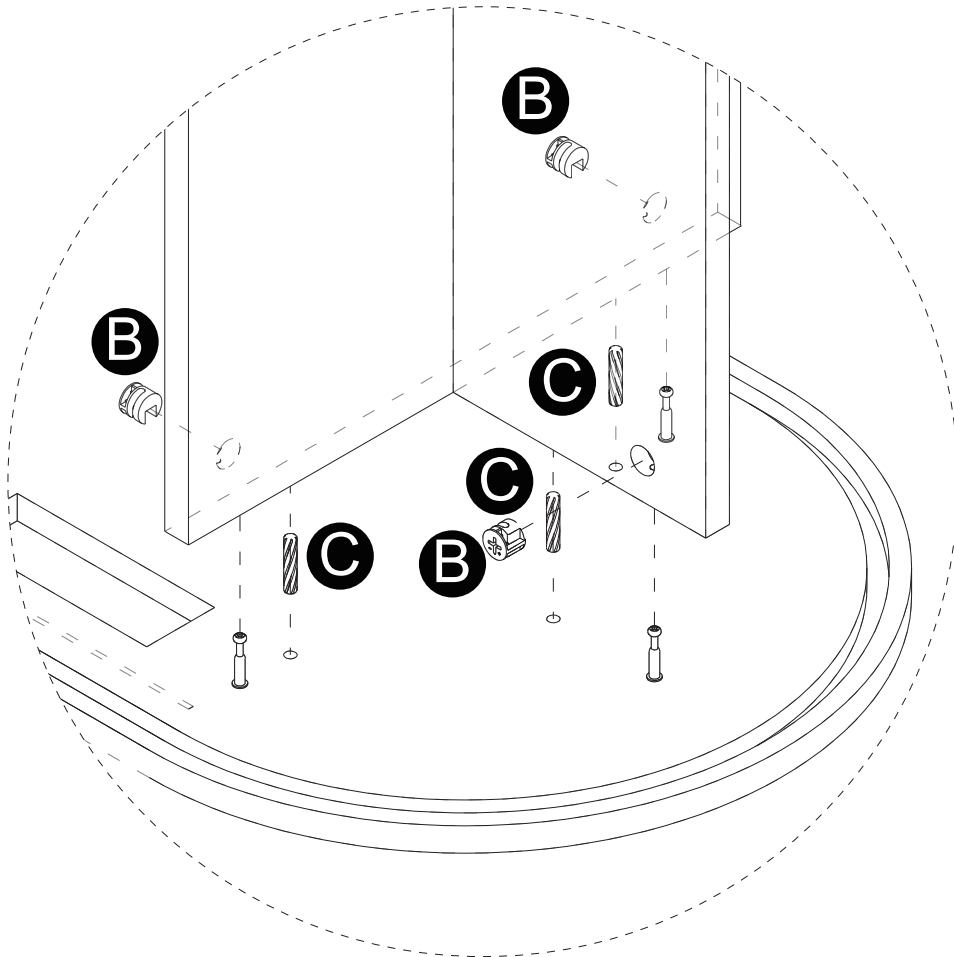
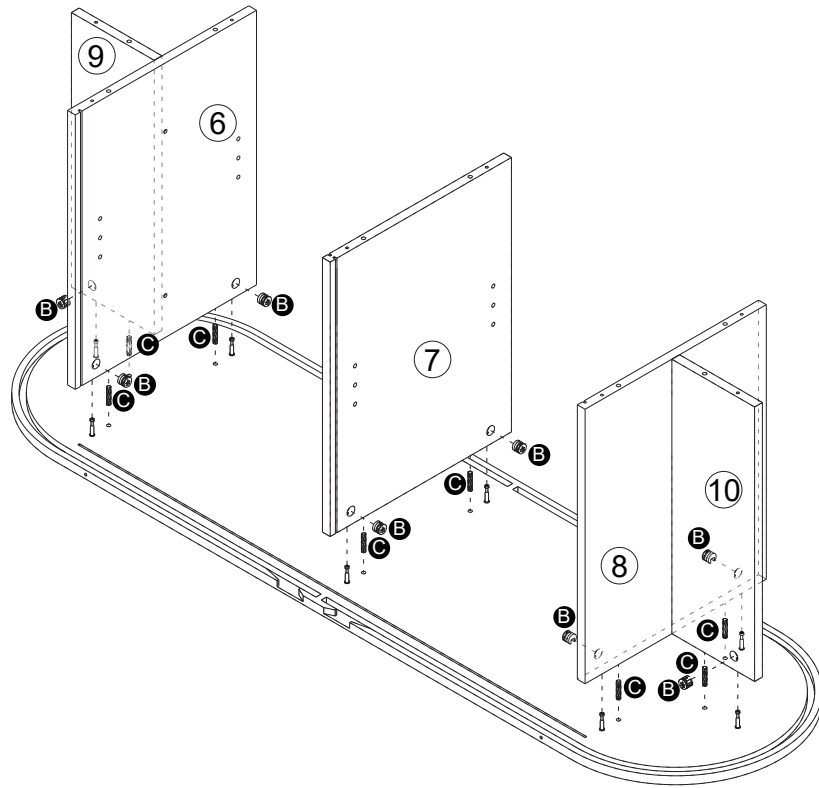
# STEP 2

 **A** x 8



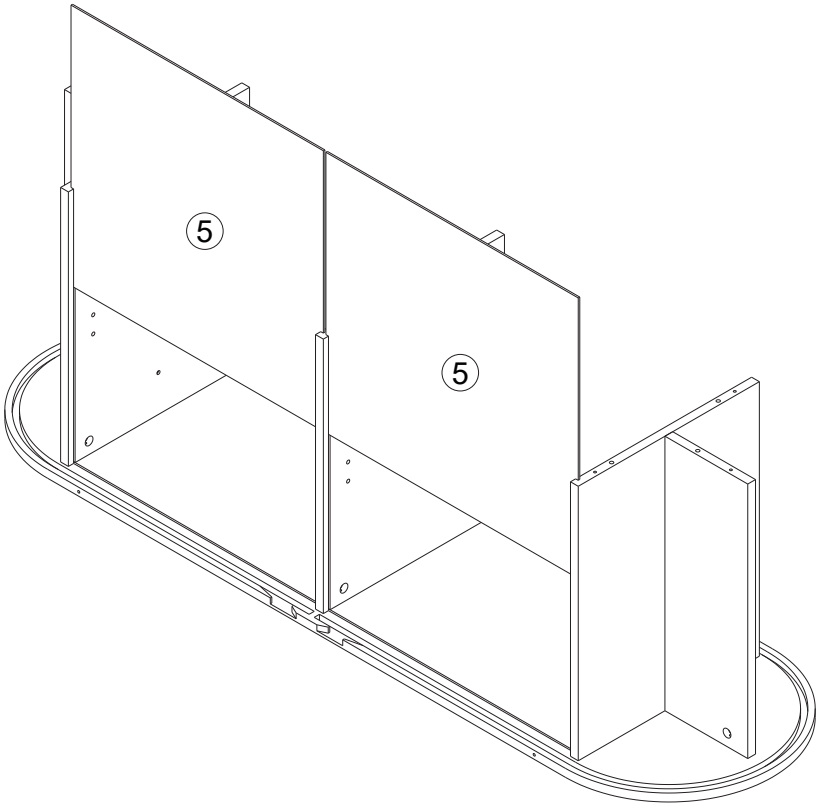
## STEP 3

	<b>B</b> x 8
	<b>C</b> x 8



---

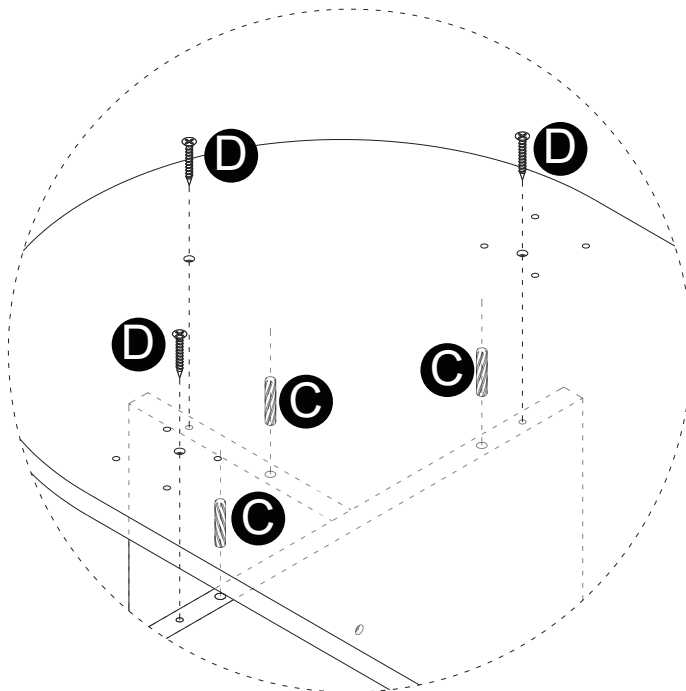
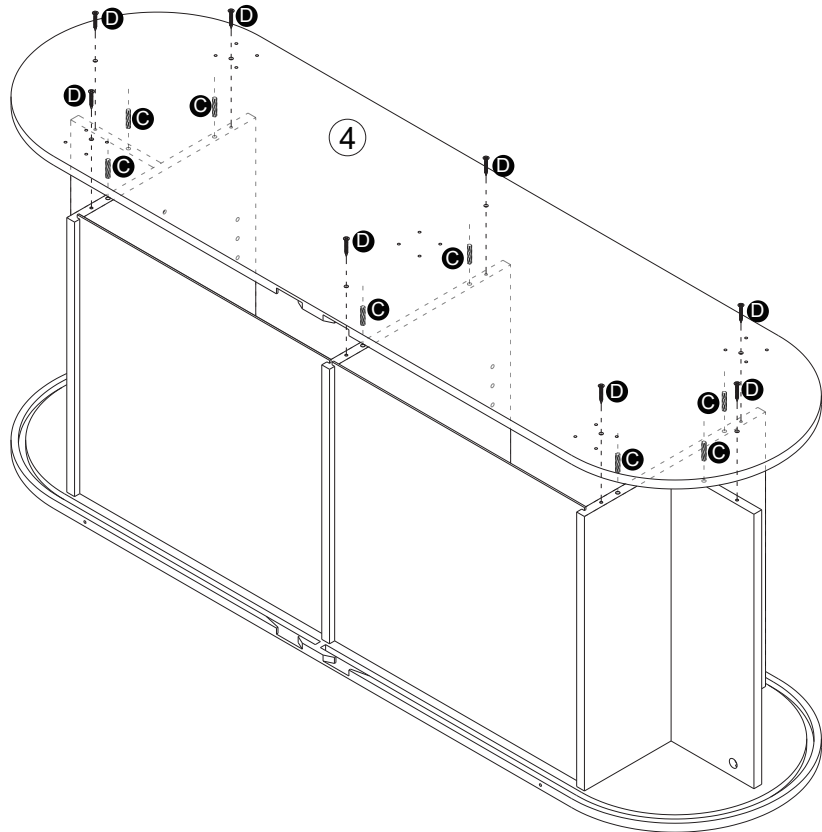
**STEP 4**




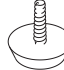
# STEP 5

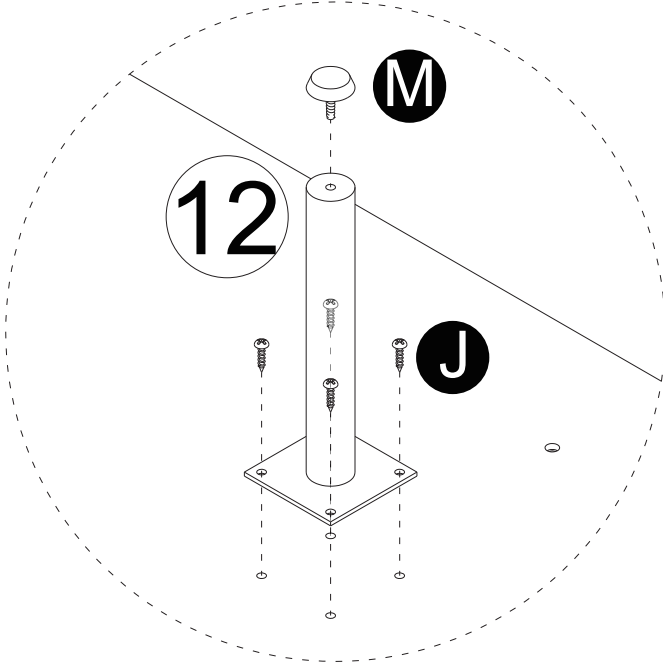
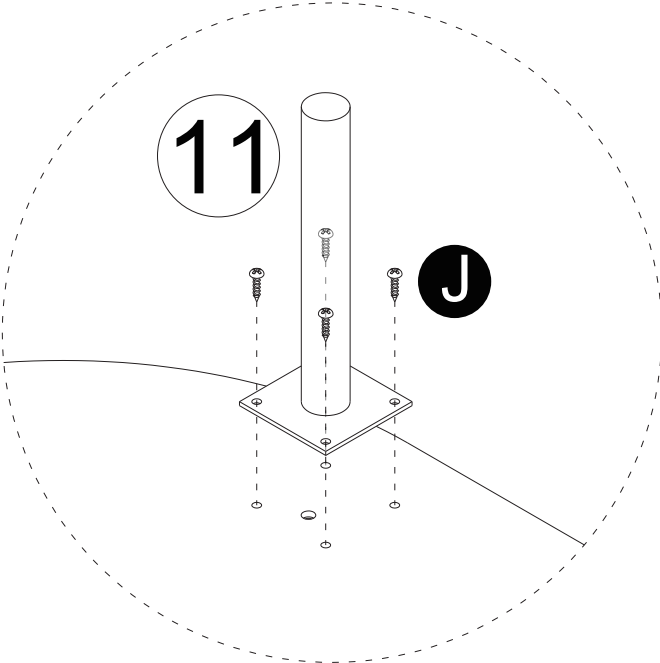
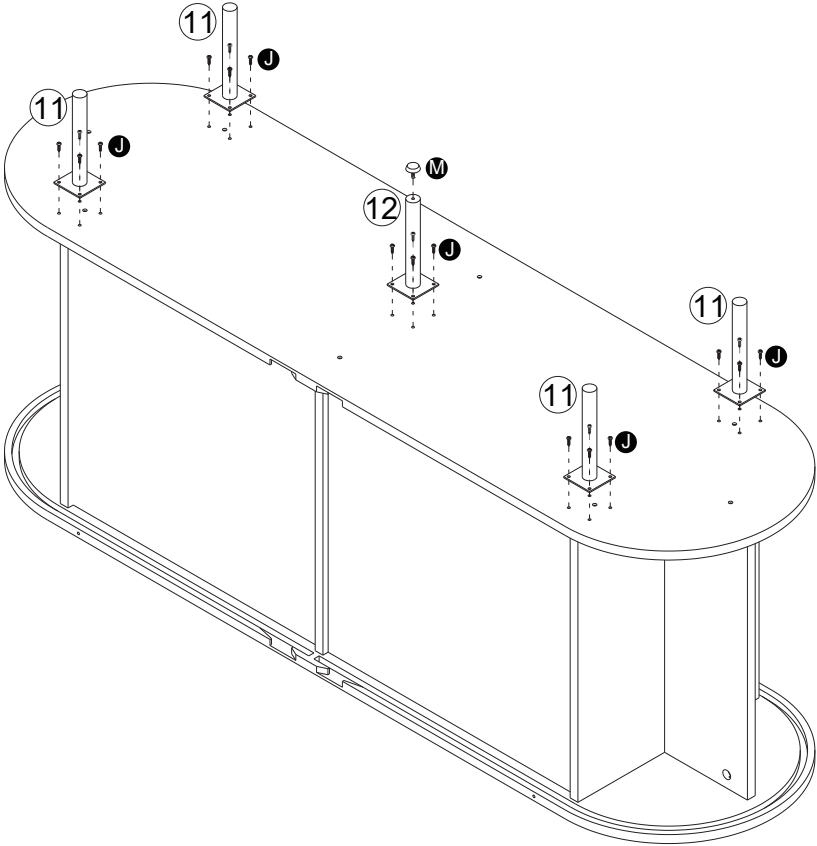
 **C** x 8

 **D** x 8



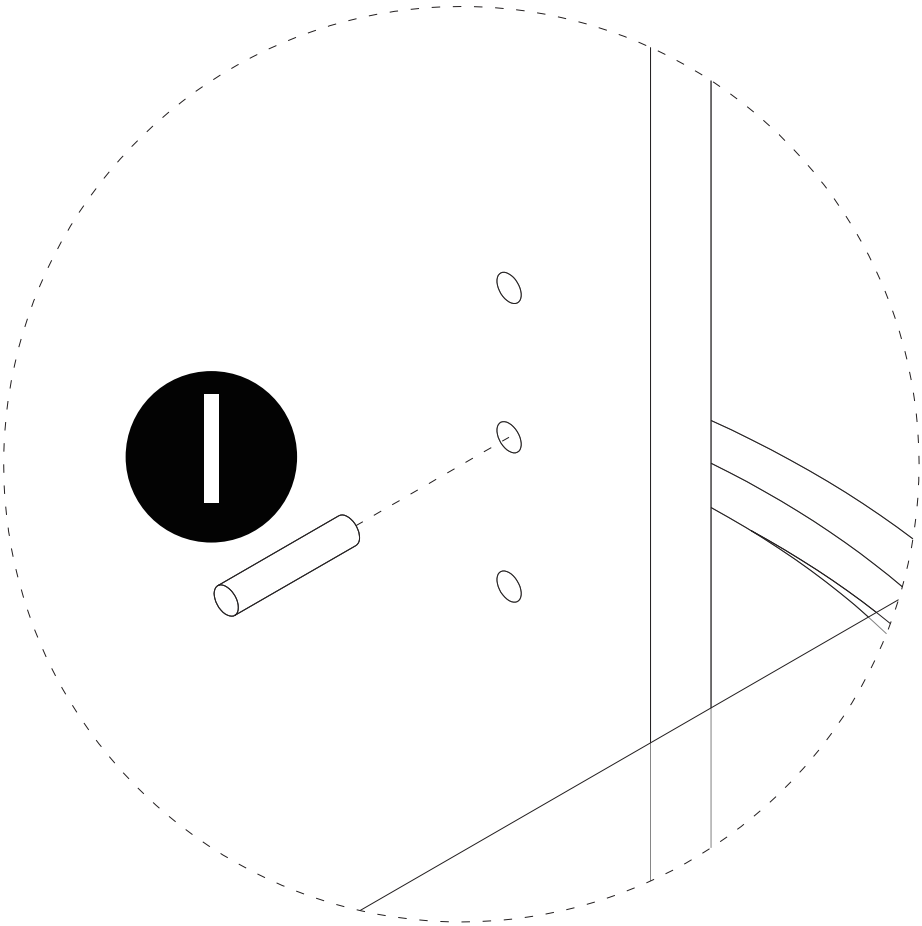
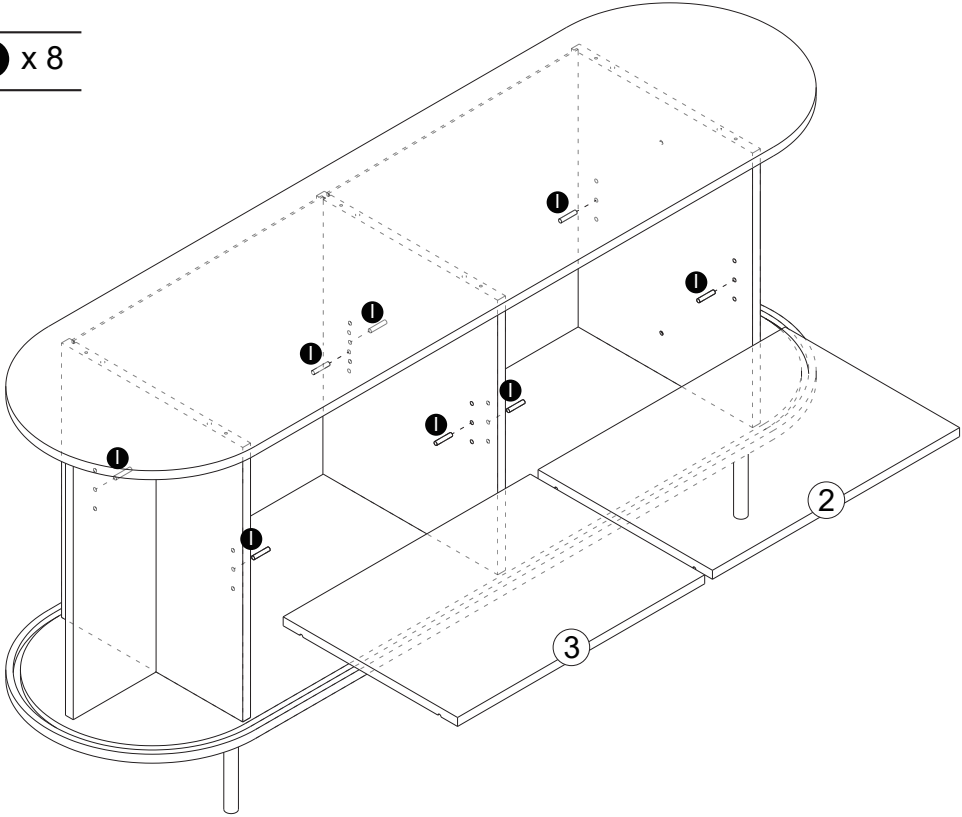
# STEP 6

-  **J** x 20
-  **M** x 1





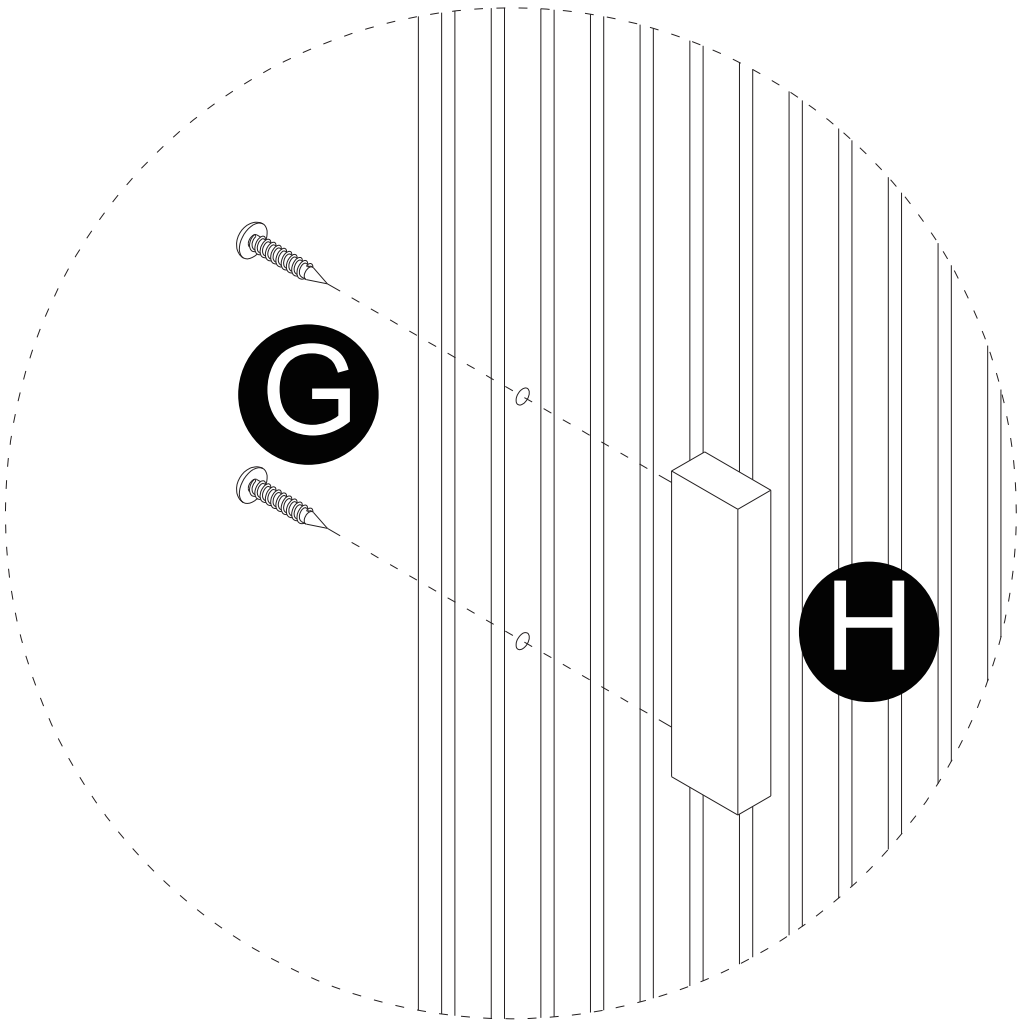
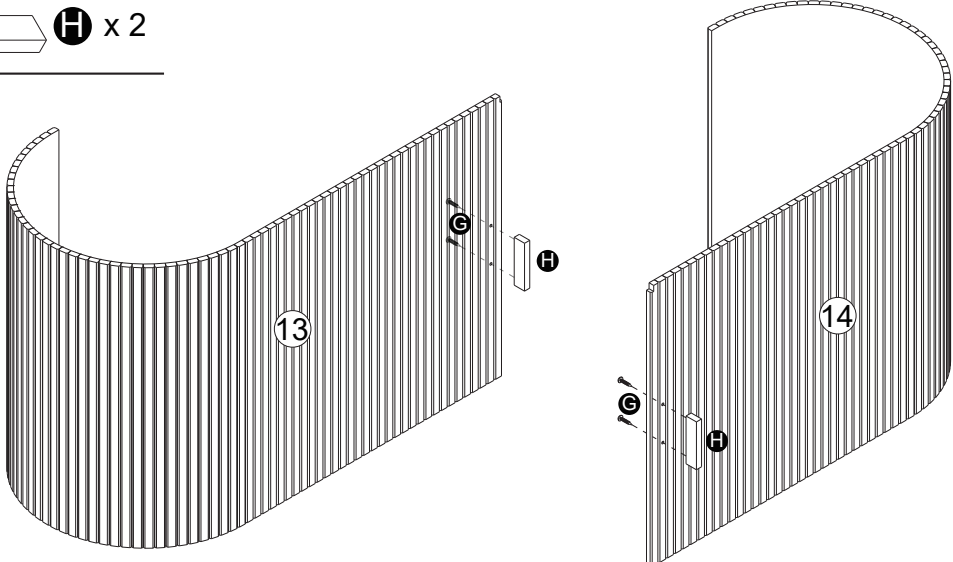
# STEP 7

 **I** x 8

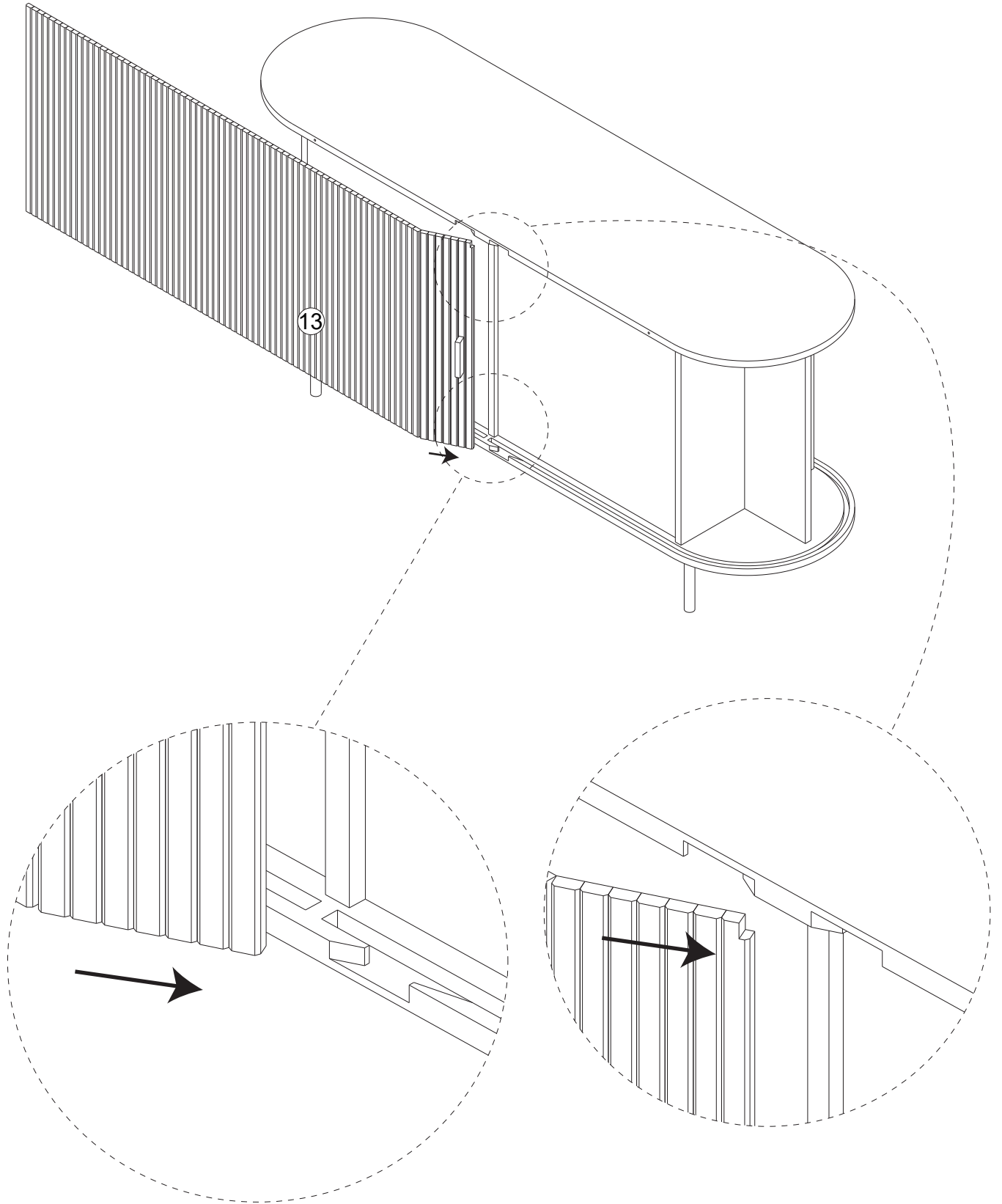


# STEP 8

-  **G** x 4
-  **H** x 2

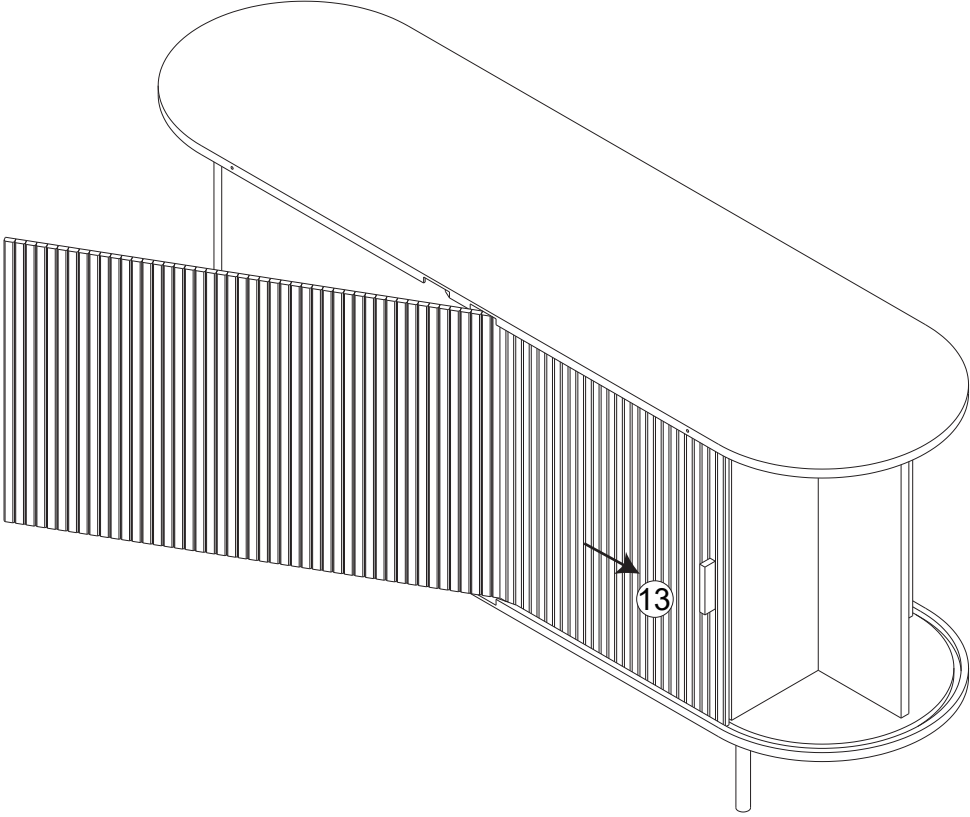


# STEP 9

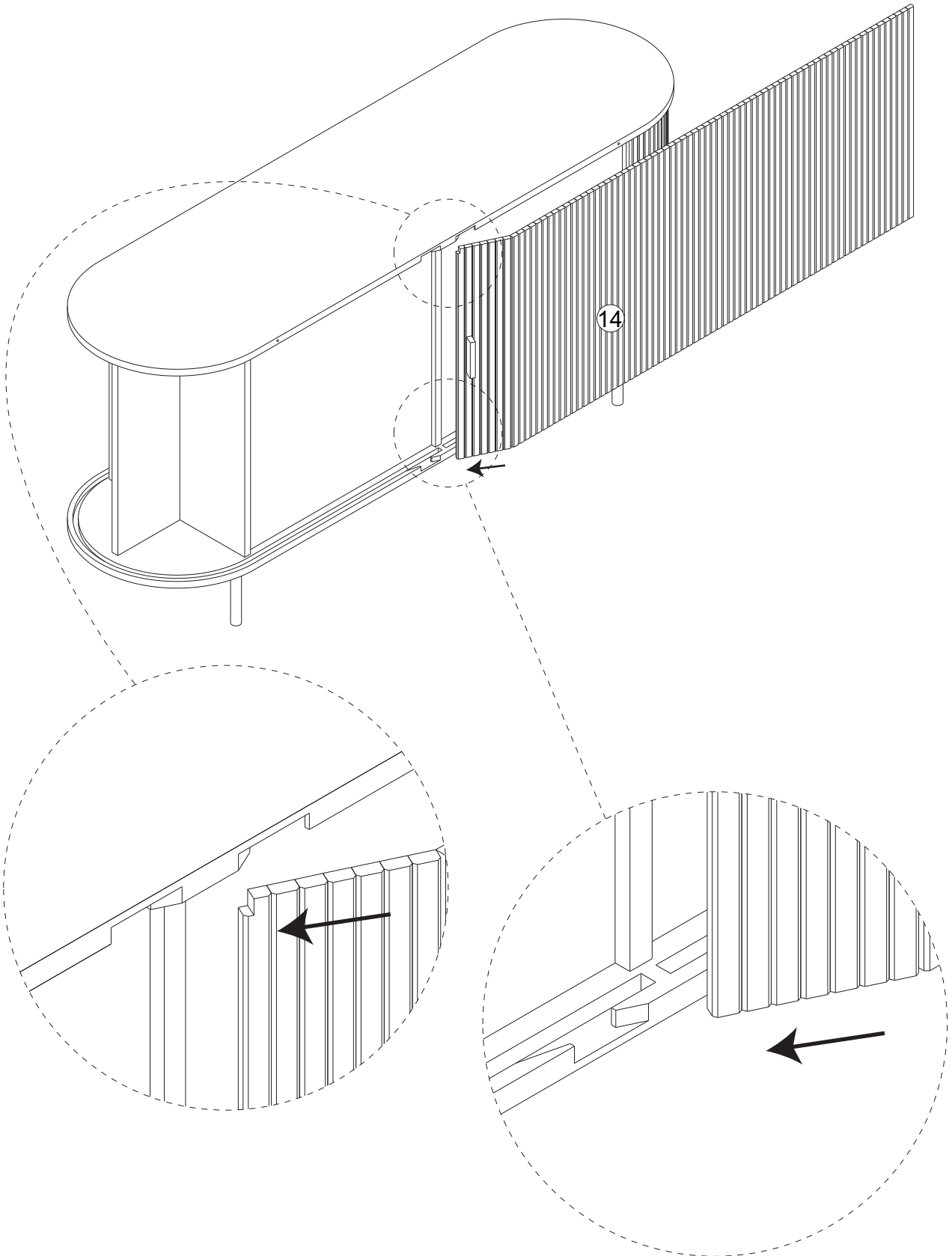


---

**STEP 10**

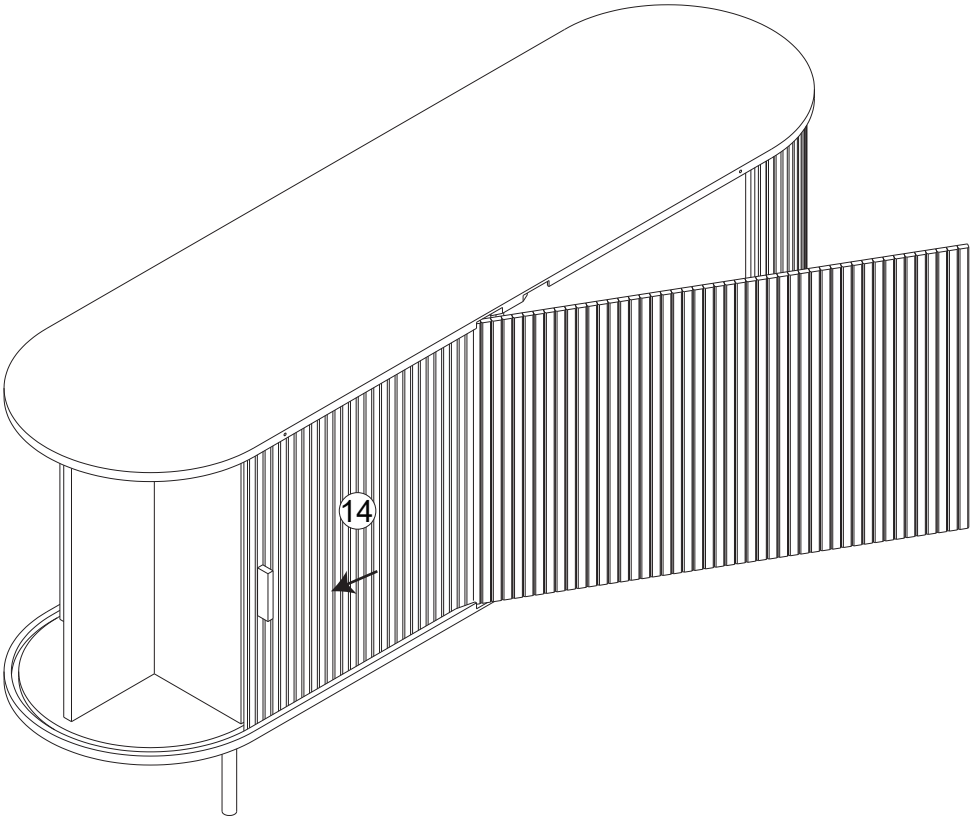


# STEP 11







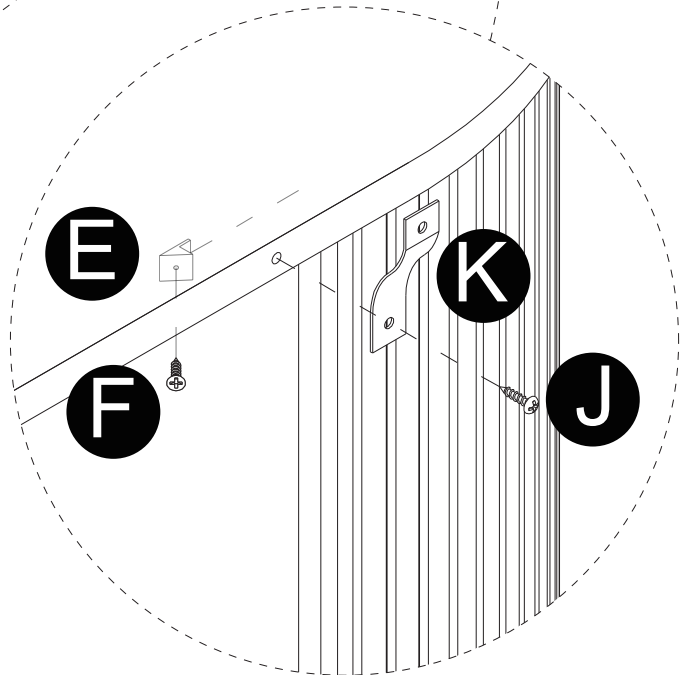
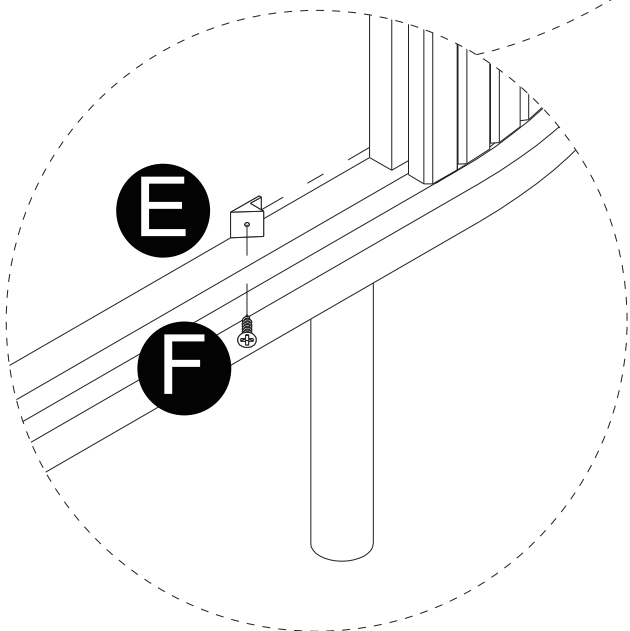
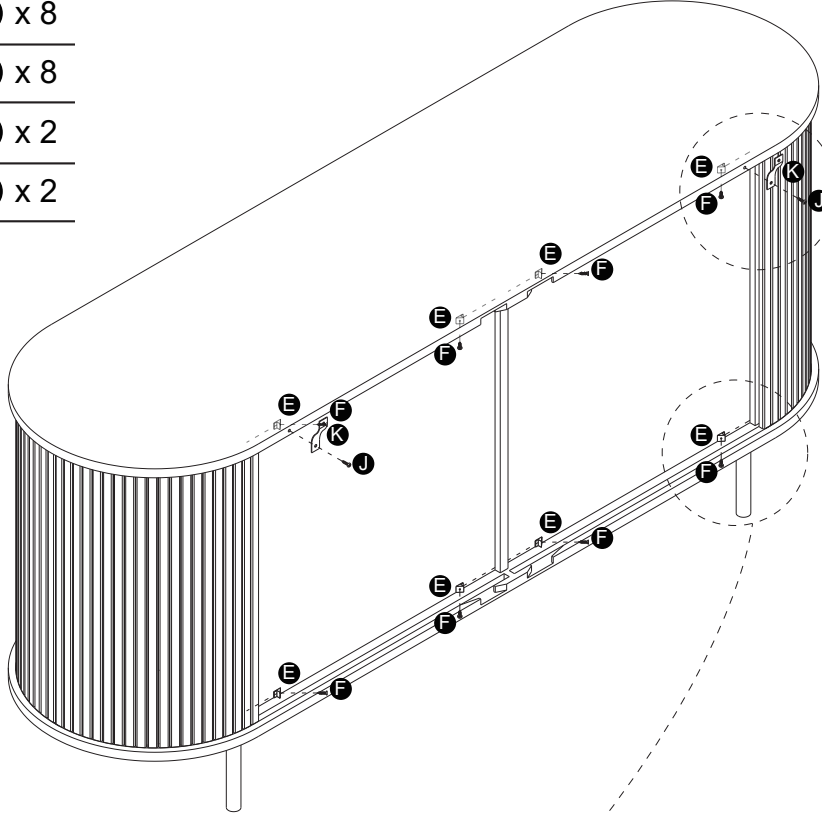
---

**STEP 12**



# STEP 13

-  **E** x 8
-  **F** x 8
-  **J** x 2
-  **K** x 2



---

## STEP 14

 **D** x 2

 **L** x 2

---

