

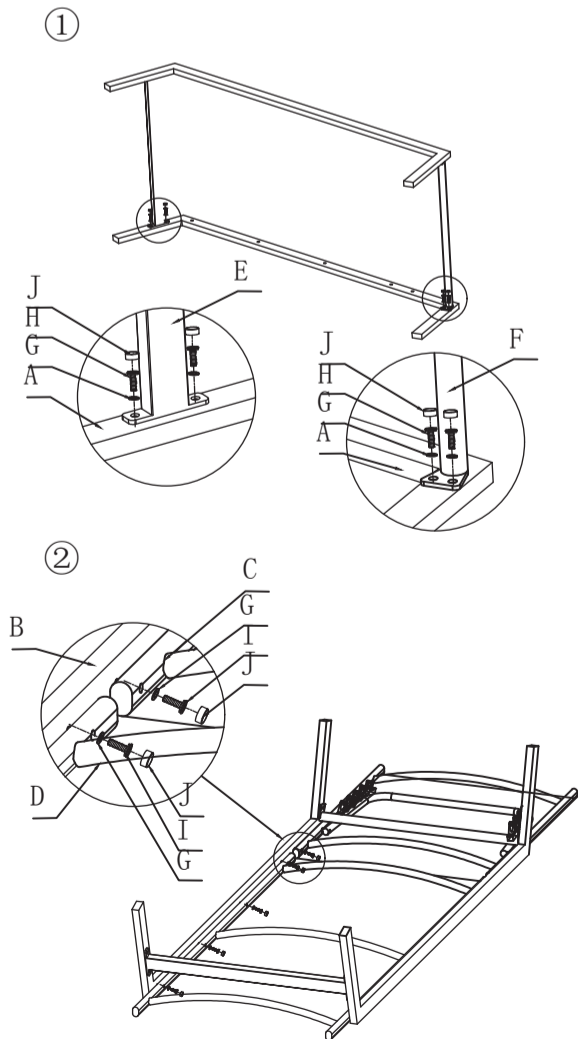
USER'S MANUAL

**Lounger
Y000342**

THIS INSTRUCTION BOOKLET CONTAINS **IMPORTANT** SAFETY INFORMATION. PLEASE READ AND KEEP FOR FUTURE REFERENCE.

COSTWAY

A		1
B		1
C		1
D		1
E		1
F		1
G		18
H		8
I		10
J		18
K		1



COSTWAY

③

Adjust the backrest to the desired angle.

