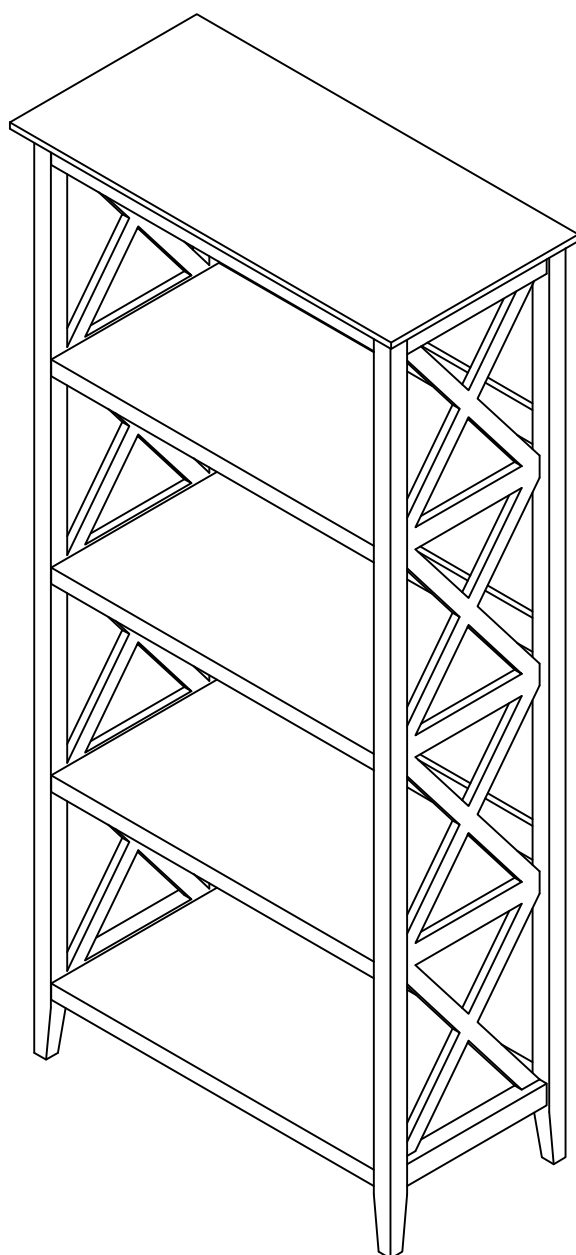


ASSEMBLY INSTRUCTIONS

Bookshelf

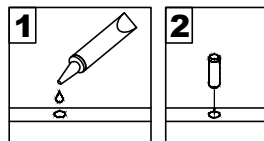


If you find any damage after opening, please be sure to take pictures of the damage and contact us. We will help you solve the problem as soon as possible.

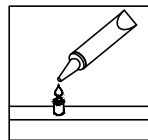
THANK YOU

General Assembly Guidelines

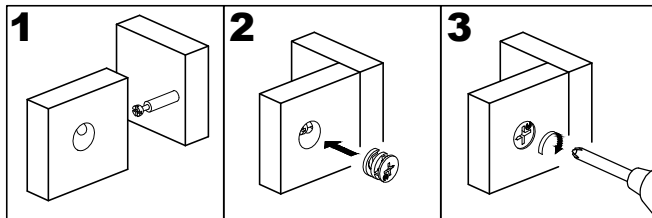
- I. Ensure that all parts and hardware are available before beginning assembly.
- II. Follow each step carefully to ensure the proper assembly of this product.
- III. Two people are recommended for ease in the assembly of this product.
- IV. The three main types of hardware used to assemble this product are : wood dowels , screws and bolts.
- V. The provided glue is to secure wood dowels in place. When first inserting dowels, locate the appropriate hole for the dowel, place a small amount of glue in the hole and insert the dowel. Wipe away excess glue immediately.



In future assembly steps when dowels are necessary to attach assembly parts together, place a small amount of glue on the end of the dowel before attaching parts together. Wipe away excess glue immediately.

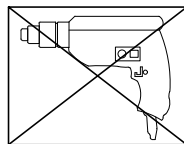


- VI. Insert cam lock into panel tighter with a screwdriver;

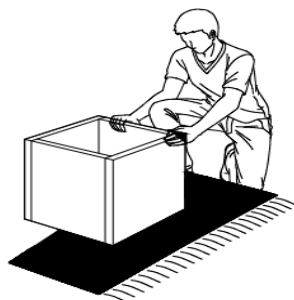


Note: Please don't over-tighten the cam lock, otherwise, it will be broken.

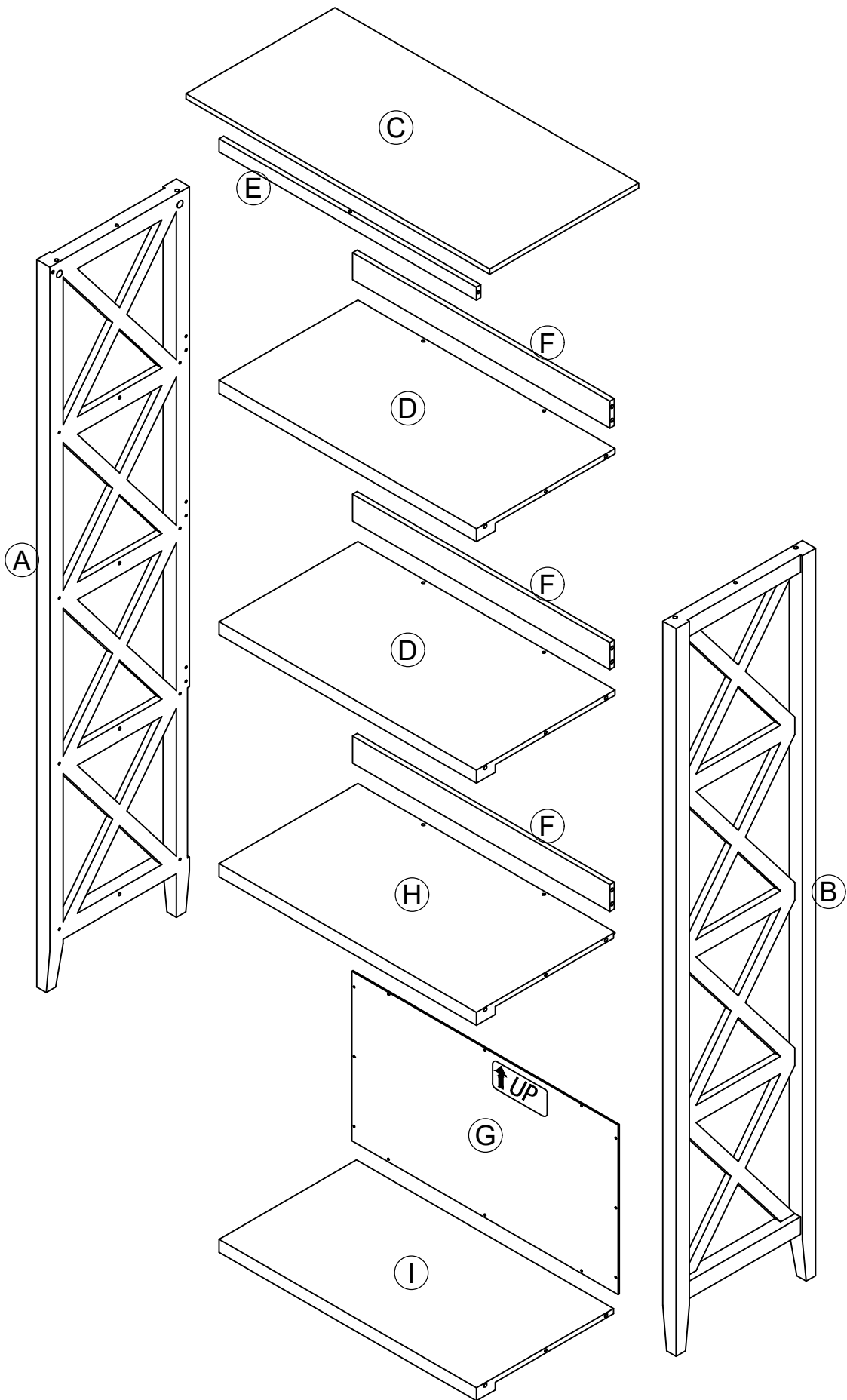
- VII. Power tools should not be used to assemble this product .




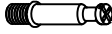



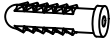



- VIII. Assembly the furniture on empty carton, carpet, or rug to prevent scratches or damage.

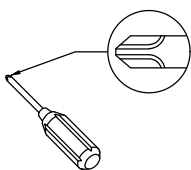


Parts List



Hardware List


1		Ø15x9.5	Cam lock	32 pcs
2		Ø6x32	Cam bolt	32 pcs
3		Ø6x30	Wooden dowel	22 pcs
4		Ø3x12	Screw	12 pcs
5			Plastic strap	1 pcs
6			Nut	1 pcs
7		Ø3x16	Screw	1 pcs
8		Ø4x25	Screw	1 pcs
9			Sticker	32 pcs

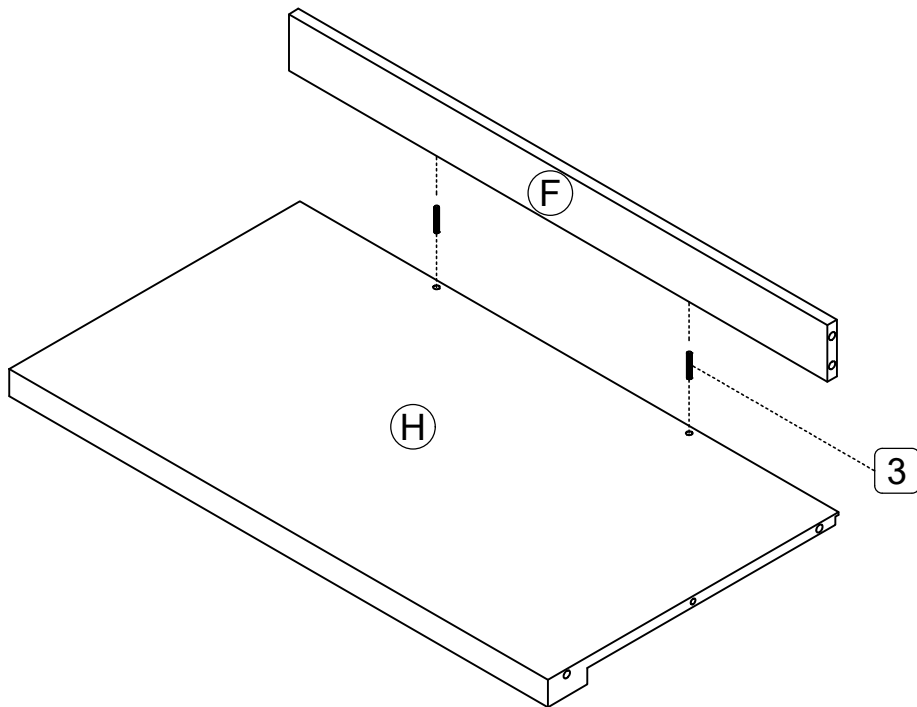
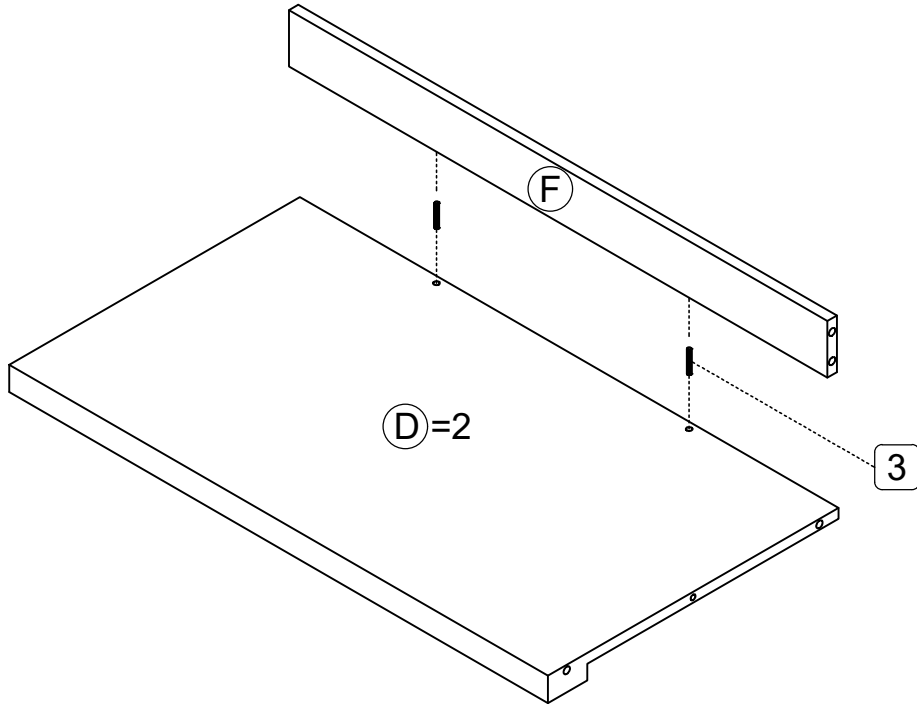


Philips head screwdriver required for assembly
(not included)




*The hardware quantities listed above are required for proper assembly.
Some extra hardware may also have been included.*

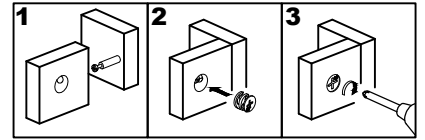
Step 1

3:  6 pcs

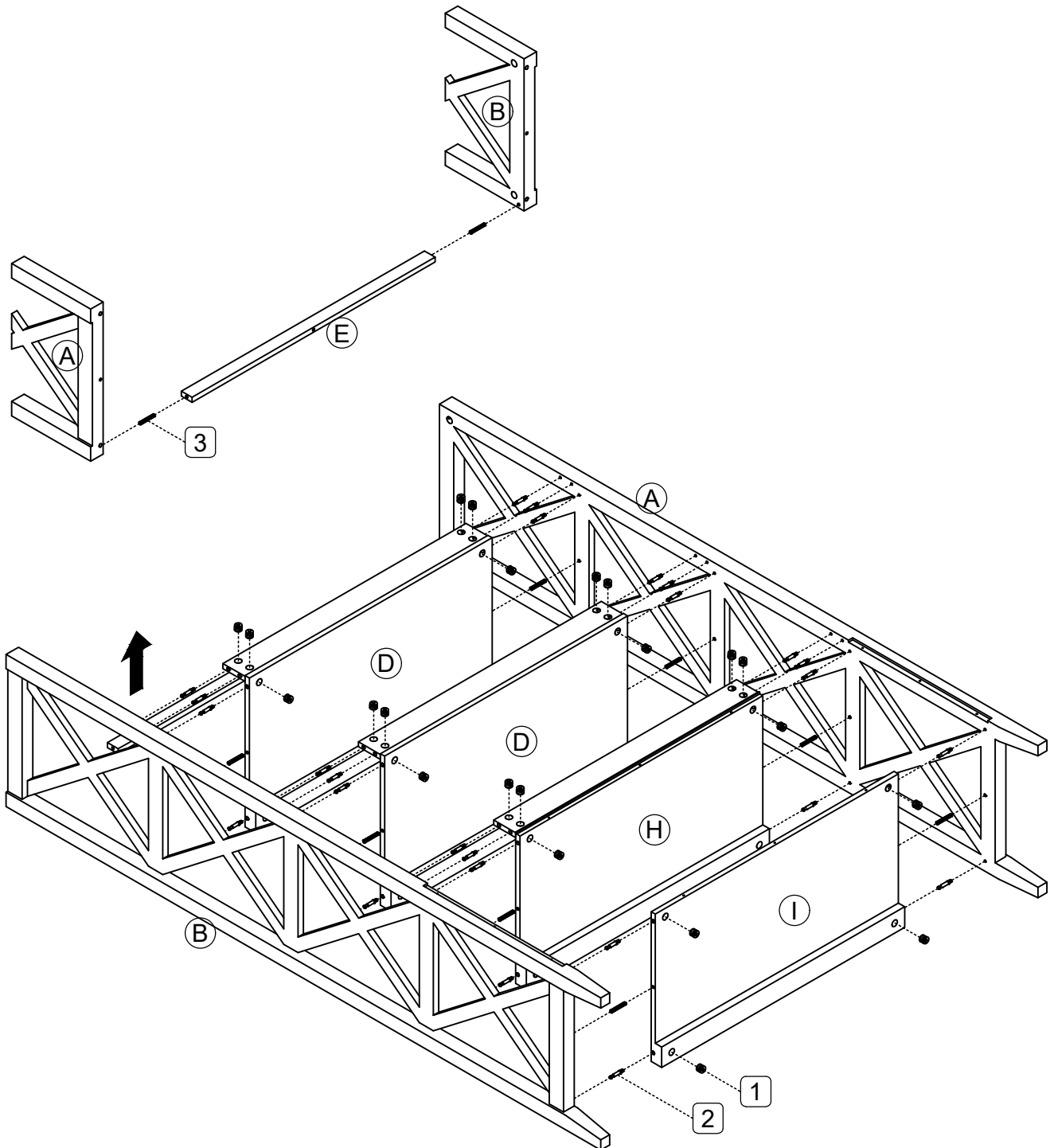


Step 2

- 1:  28 pcs
- 2:  28 pcs
- 3:  10 pcs

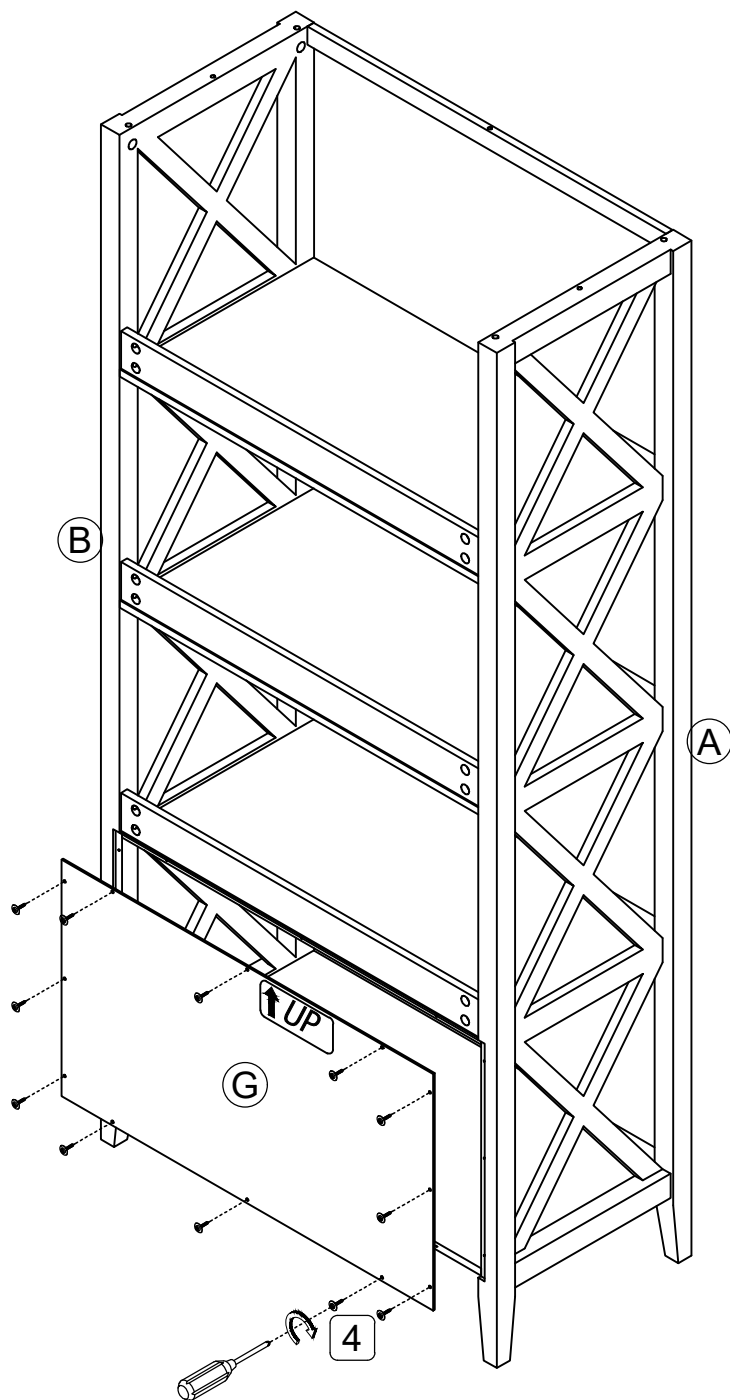


Note: Please don't over-tighten the cam lock, otherwise, it will be broken.






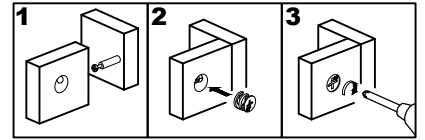
Step 3

4:  12 pcs

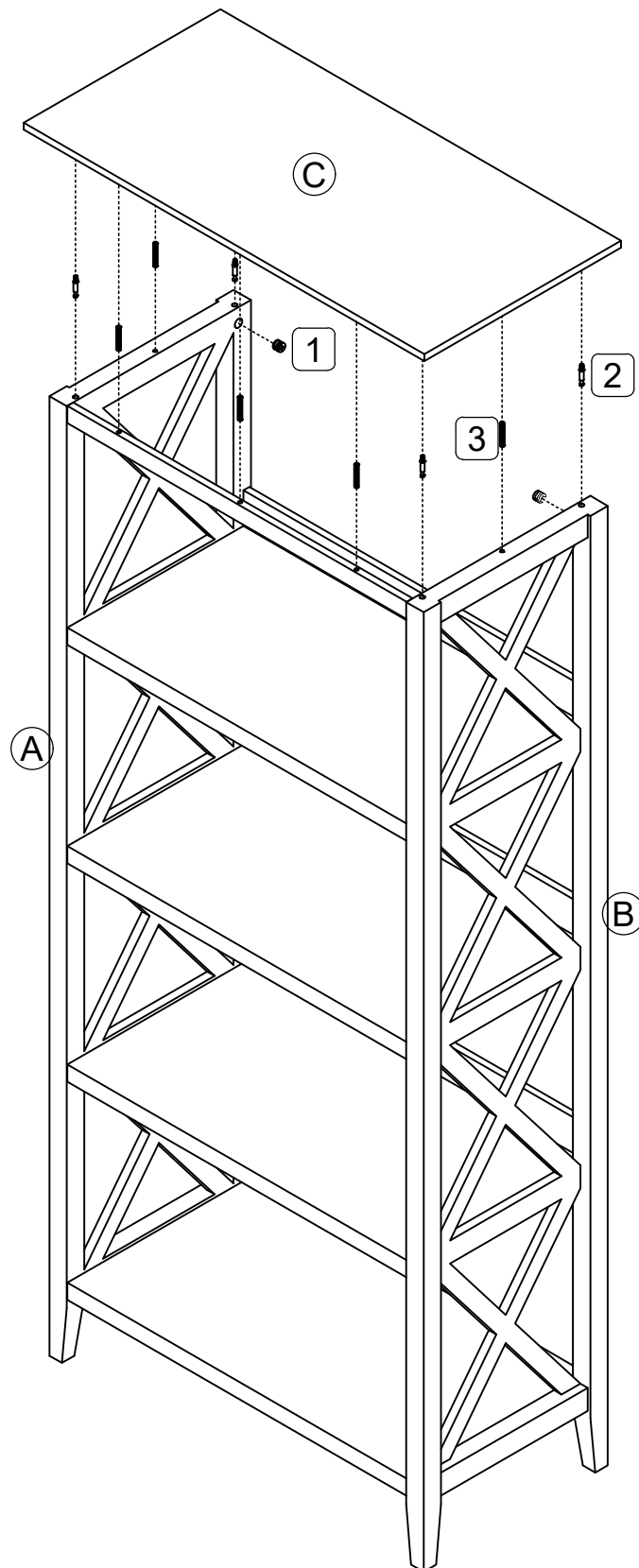


Step 4

1:		4 pcs
2:		4 pcs
3:		5 pcs

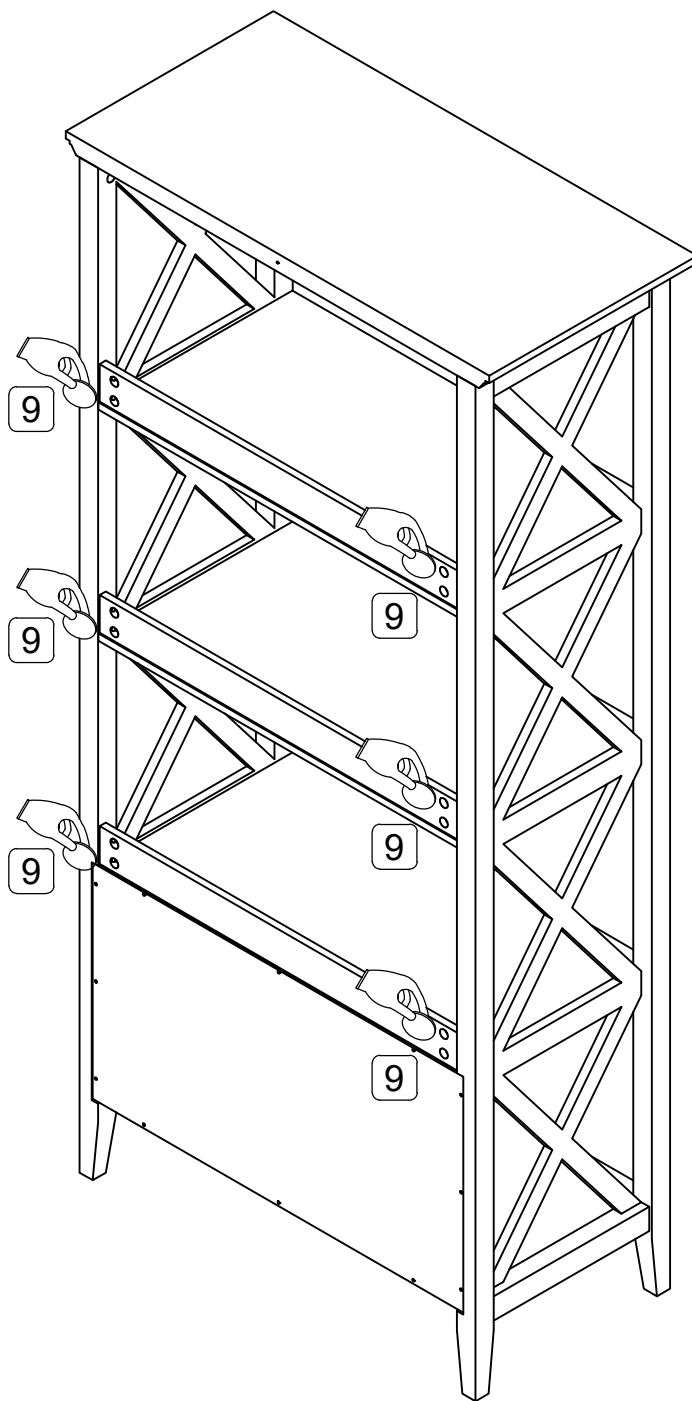


Note: Please don't over-tighten the cam lock, otherwise, it will be broken.


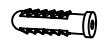




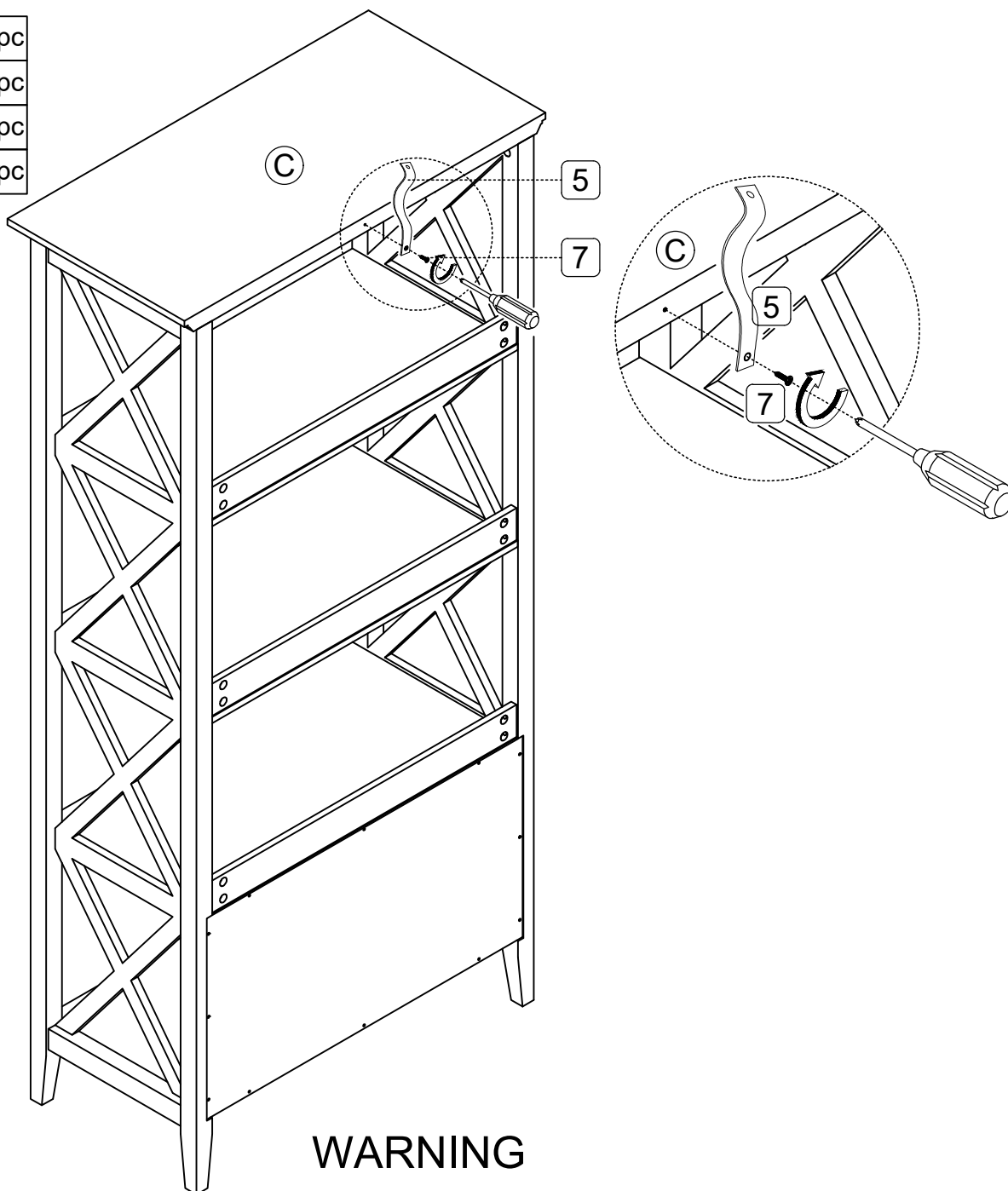
Step 5

9: ○ 32 pcs



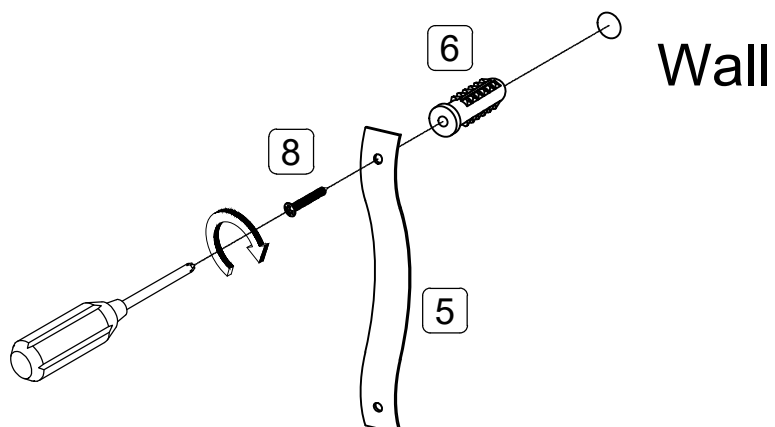
Step 6

- 5:  1 pc
- 6:  1 pc
- 7:  1 pc
- 8:  1 pc

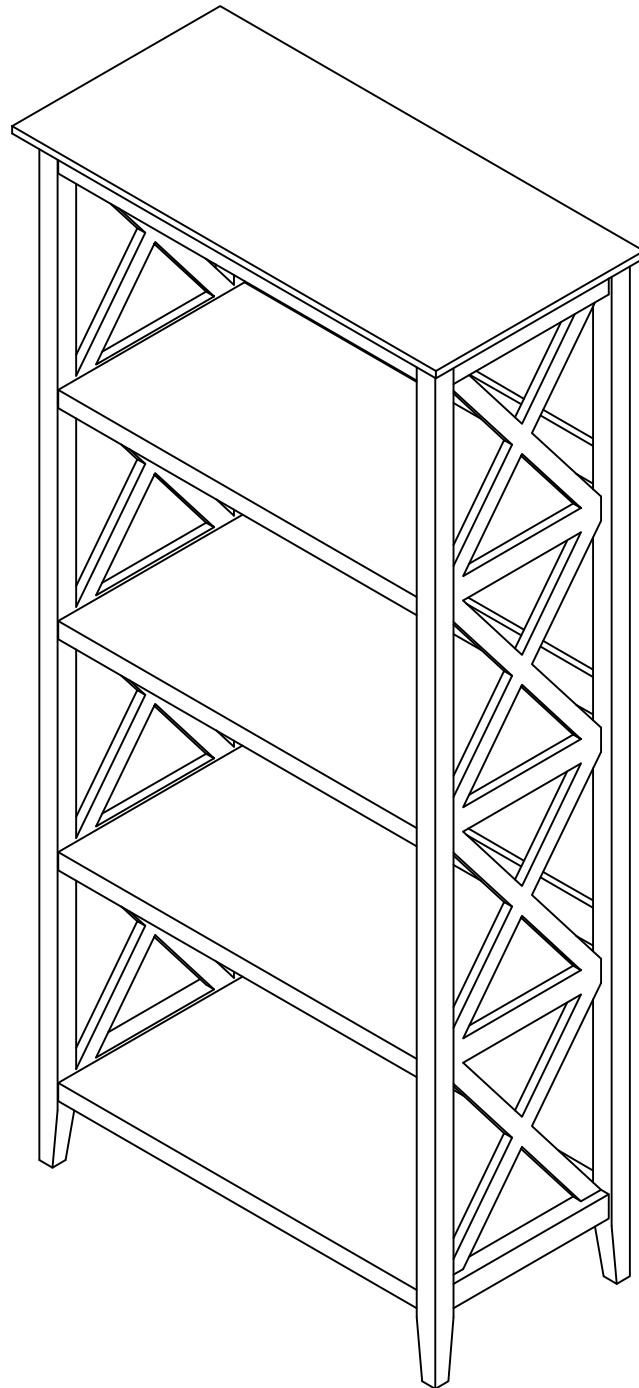


WARNING

Serious or fatal injuries can occur from furniture tipping over. To prevent the furniture from tipping over we recommend that it is permanently fixed to the wall. Wall anchor and hardware are included with this product. Please make sure hardware is suitable for your walls before installing, as different wall materials may require different types of anchors.



Step 7



Final Assembly