

# ASSEMBLY INSTRUCTIONS

## SQUARE TABLE

Approximate Assembly Time

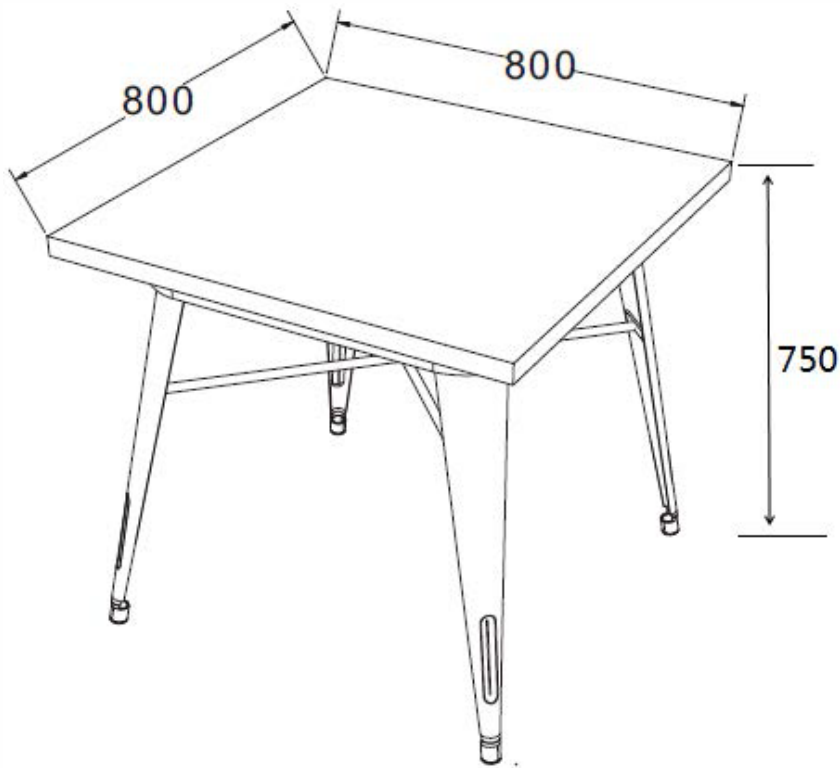


People Required to Assemble



Tools Required

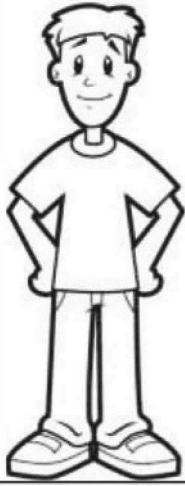
No Extra Tools Required



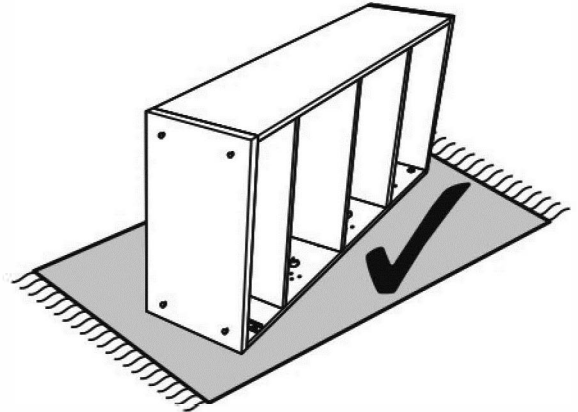
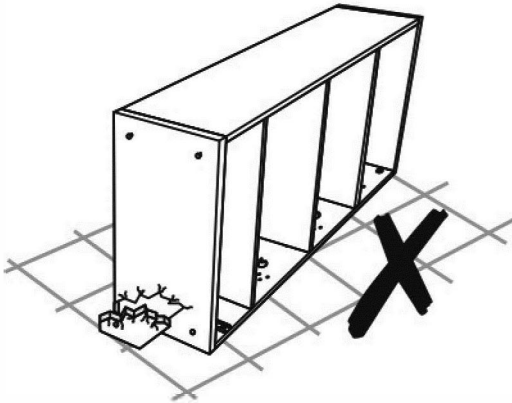
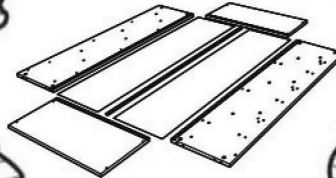
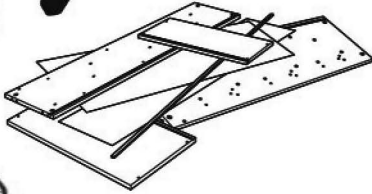
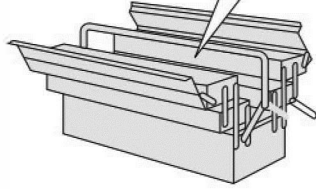
### PLEASE READ CAREFULLY

Always read the instructions carefully before starting the assembly. Please read the instructions carefully before starting the assembly. Please read the instructions carefully before starting the assembly.


Always read the instructions carefully before starting the assembly. Please read the instructions carefully before starting the assembly. Please read the instructions carefully before starting the assembly.




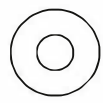
No Extra  
Tools Required





PLEASE READ THE INSTRUCTIONS CAREFULLY BEFORE STARTING THE ASSEMBLY.  
YOUR SAFETY AND THE SAFETY OF THE EQUIPMENT ARE OUR TOP PRIORITY.


**A**   
**M6×12mm**  
**16×**


**B**   
**M6×25mm**  
**1×**

**C**   
**Φ6×Φ16×1.2mm**  
**4×**

**D**   
**Φ6×Φ14×1.2mm**  
**1×**

**E**   
**1×**

**F**   
**4mm**  
**1×**

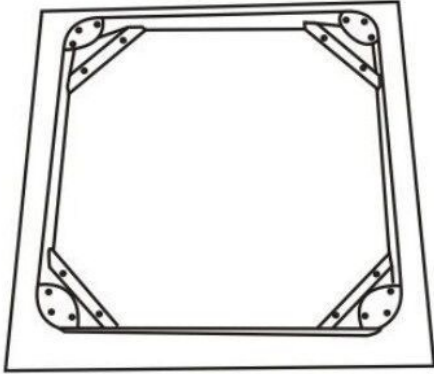
**G**   
**1×**

We strongly advise that you do not use Power Tools, such as drills or electric screwdrivers during the assembly as this may cause irreparable damage and will invalidate your warranty.



# PARTS

1



2



3



|   |    |
|---|----|
| 1 | 1x |
| 2 | 4x |
| 3 | 2x |

Please contact your supplier to obtain all the pieces and dimensions shown on your order. Please refer to the assembly instructions for more information. Please refer to the assembly instructions for more information. Please refer to the assembly instructions for more information.

## **ASSEMBLY ADVICE**

Please take the time to carefully read through these instructions before you commence.

Keep these instructions for future reference.

We advise that the product is assembled in the room it is intended for.

We advise that you keep the hardware in a bowl during assembly to avoid losing anything.

We strongly recommend that you keep children away from the work area.

Small component parts could choke a child if swallowed.

We recommend you use a sheet or blanket to protect both floor and product through the assembly stages.

Never push or pull the product as this could cause both personal injury or irreparable damage to product or floor.

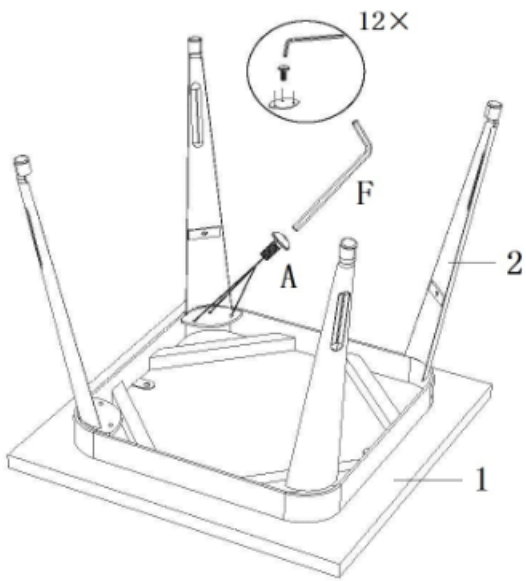
We have tried to make this piece of furniture easy to assemble if the instructions are followed carefully.

In the unlikely event that you have problems with assembling the product or have missing or damaged parts, please contact your retailer and we will assist them in rectifying the problem as quickly as possible.

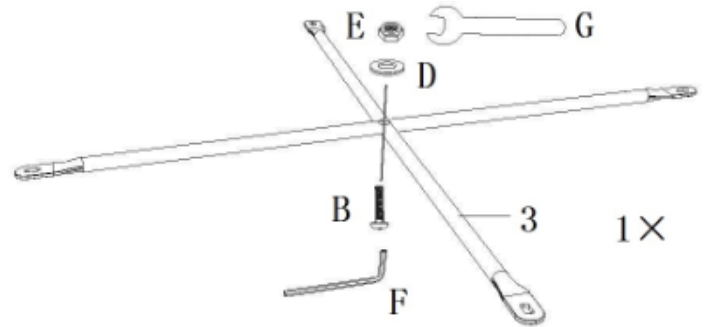
Remember we strongly urge you DO NOT use power tools such as drill or electric screwdrivers as this could cause irreparable damage to your product and will invalidate your warranty



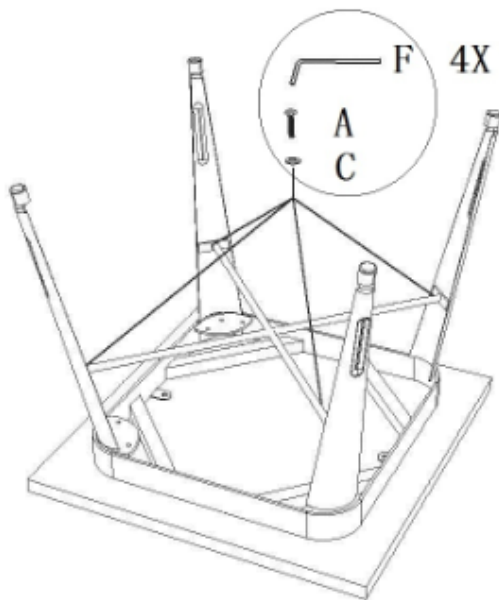
1



2



3



4



## **GENERAL CARE & MAINTENANCE**

We advise that when cleaning the product that a damp cloth is used.

Avoid the use of all household cleaners and abrasive.

Never push or drag the furniture.

Never attempt to move the furniture when fully loaded.

We advise that periodically all fixings are re-tightened.