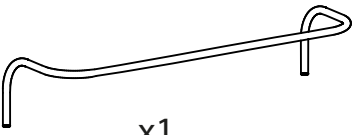


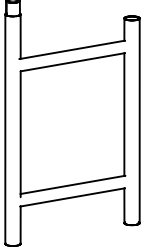
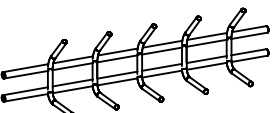
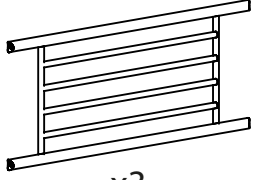
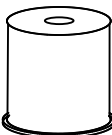


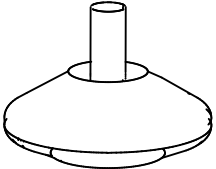
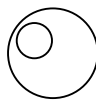


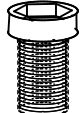


## Parts Included

<b>A</b> Under frame	<b>B</b> Upper frame pipes	<b>B1</b> Middle frame pipes	<b>C</b> Foot frames	
 x1	 x2	 x2	 x2	
<b>D</b> Hangers	<b>E</b> Net layers	<b>J</b> Plastic plugs	<b>K</b> Plugs	<b>G</b> Connectors
 x2	 x3	 x4	 x2	 x2
<b>H</b> Footstands	<b>F</b> Hanger balls	<b>L</b> Long screws	<b>I</b> Wrench	<b>L1</b> Short screws
 x4	 x18	 x20	 x1	 x2

## Attention

Read the instructions carefully before constructing and using the product

The steel pipe may be sharp, take care when handling.

Check all parts are included before beginning construction.

Please be sure to assemble in the correct order in accordance with the instructions

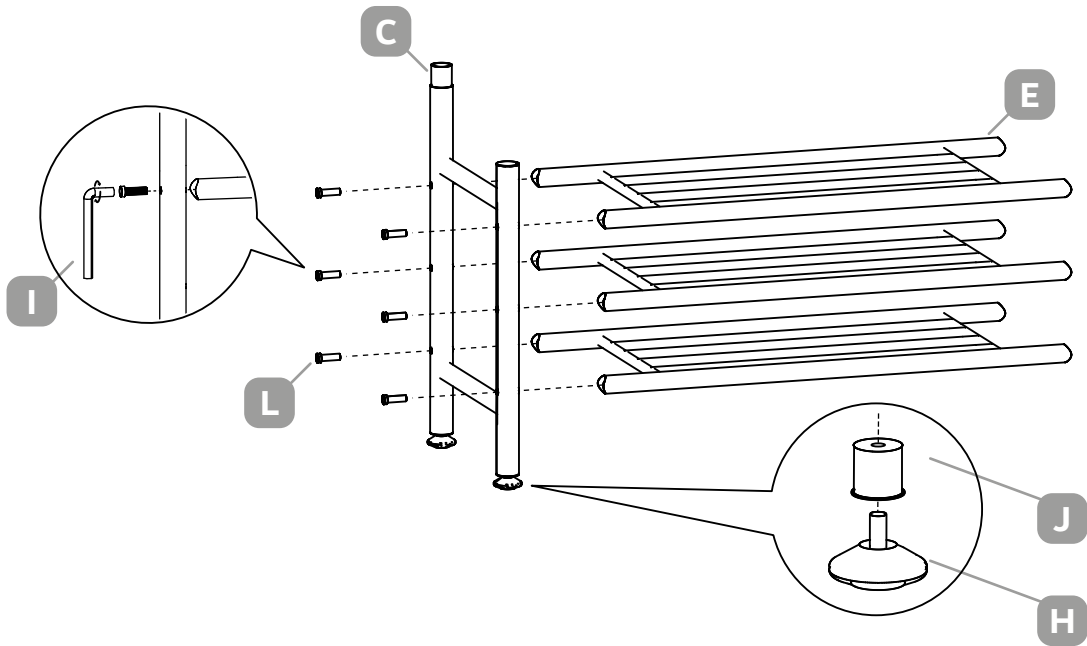
Thank you for your purchase, we hope you enjoy your product. If so please let other buyers know what you think by leaving 5 star feedback.



In the unlikely event of a problem please contact our customer service from the purchase website, we are on hand to help solve the issue in a matter of hours.

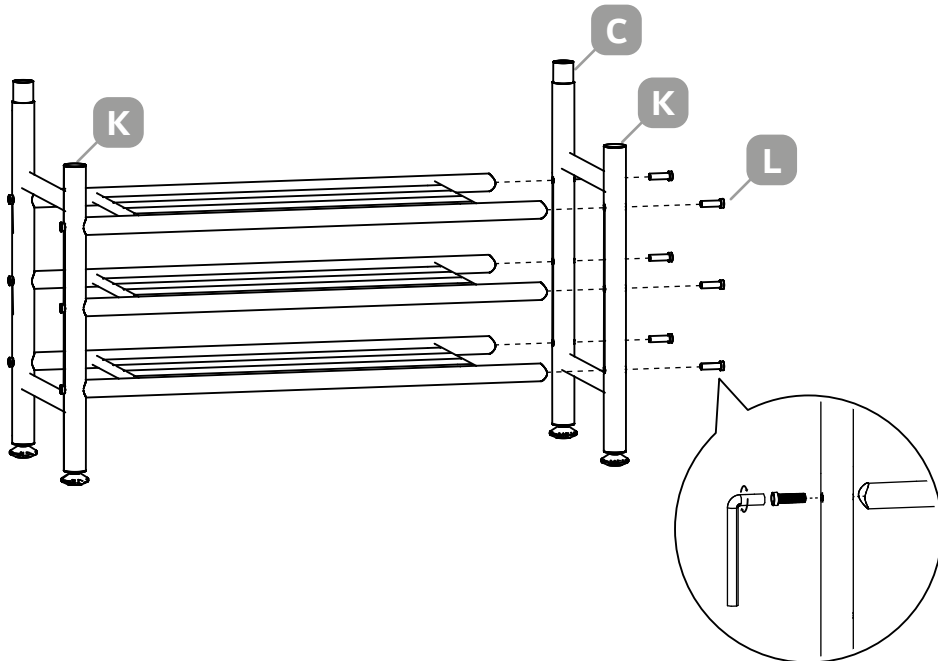
# Construction Instructions

1



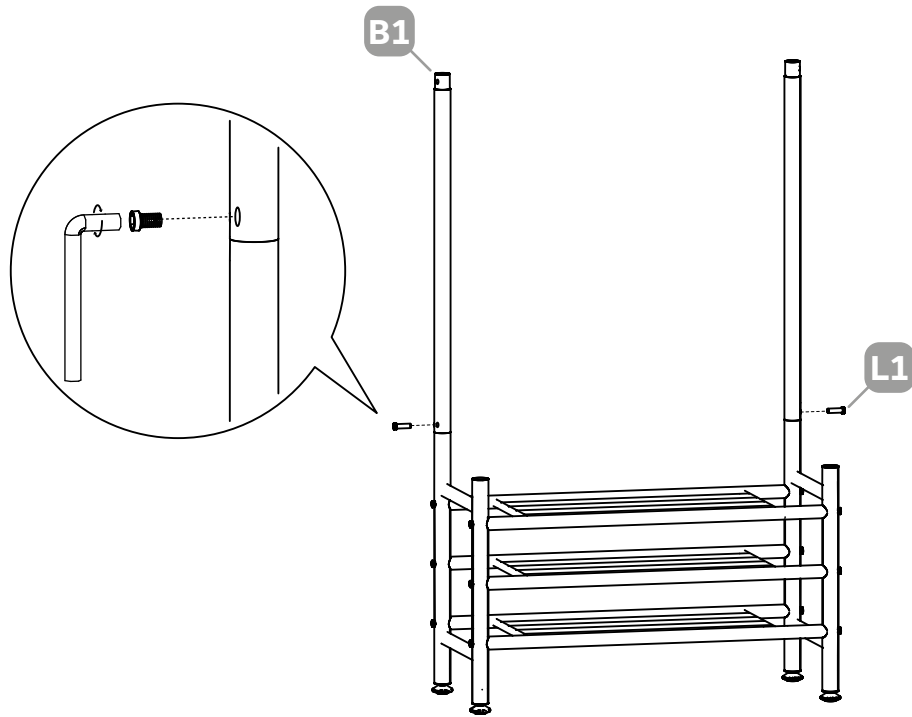
Install left foot frame to the net layers using the long screws.

2



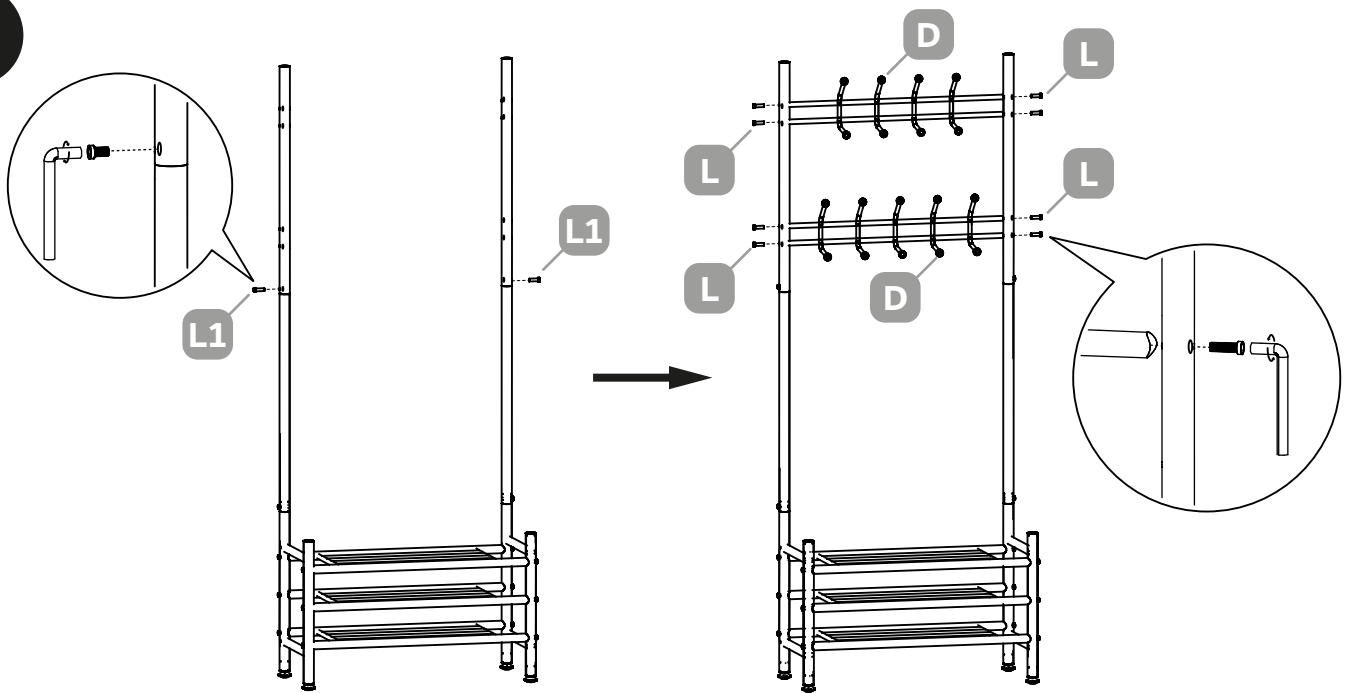
Install left and right foot frames to the net layers using the long screws. Tighten the screws.

3



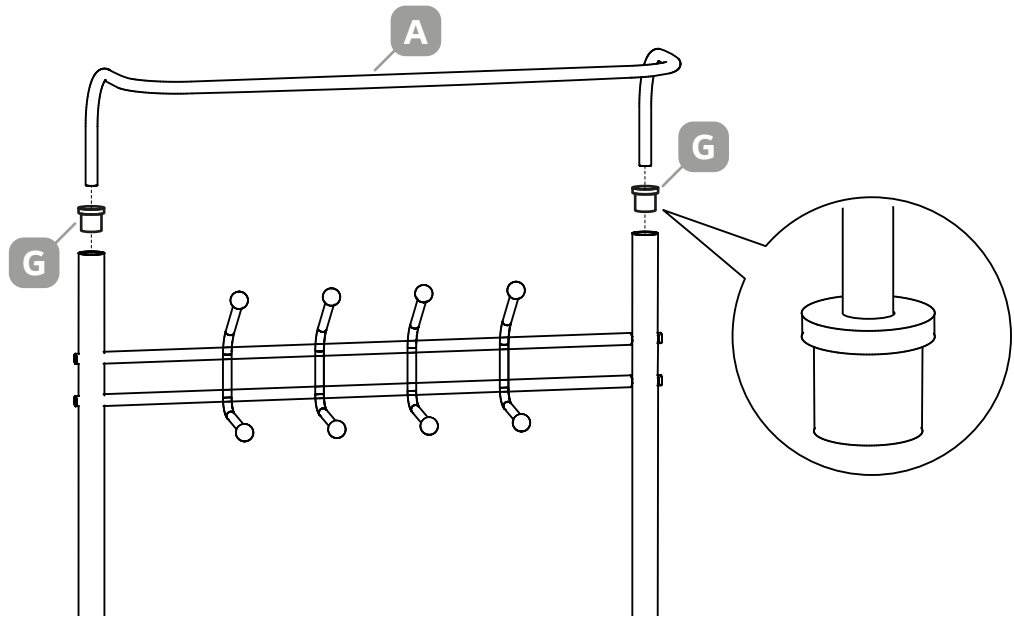
Insert middle frame pipes to the foot frames using the short screws. Tighten the screws.

4



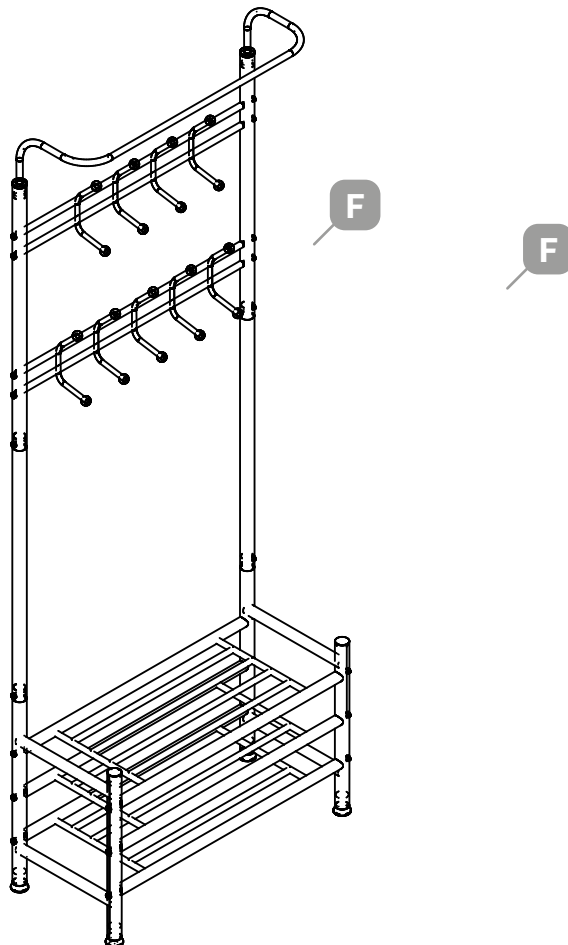
Insert the upper frame pipes to the middle frame pipes and install the hangers to the frame pipes using the long screws then tighten the screws.

5



Install the under frame using the connectors.  
Install the under frame using the connectors.

6



Push hanger balls onto hangers as firmly as possible.  
Complete Assembly

