

4'6"/5'5'6"

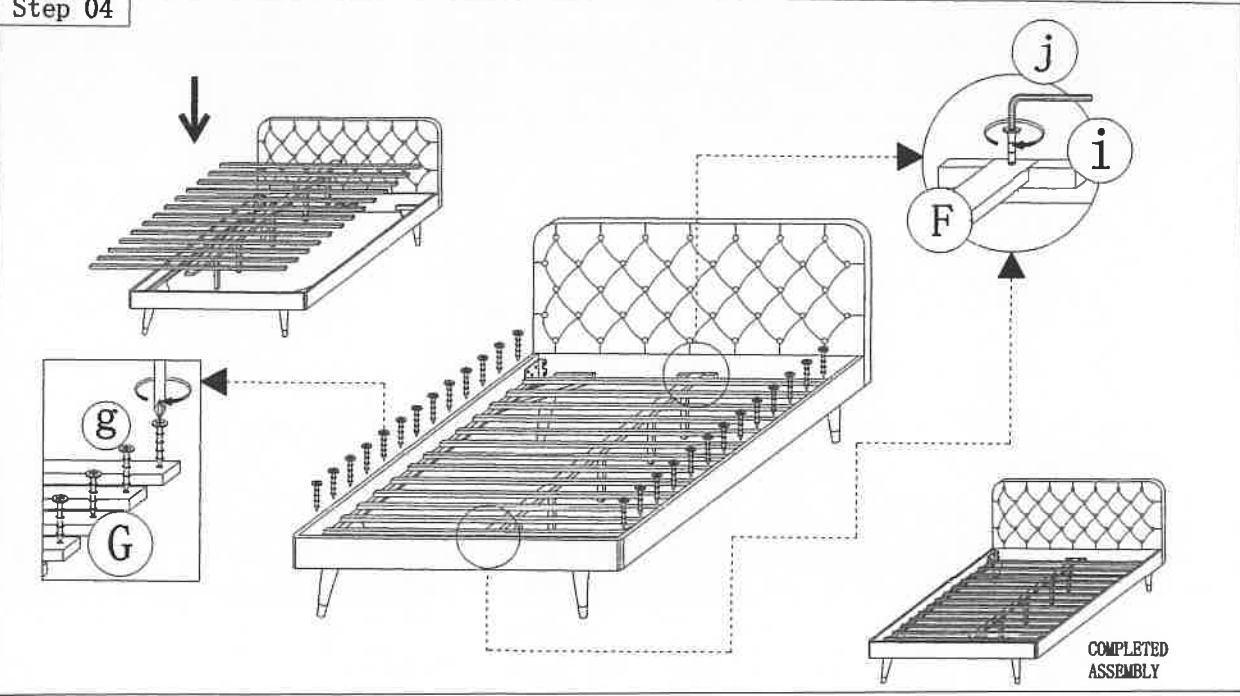
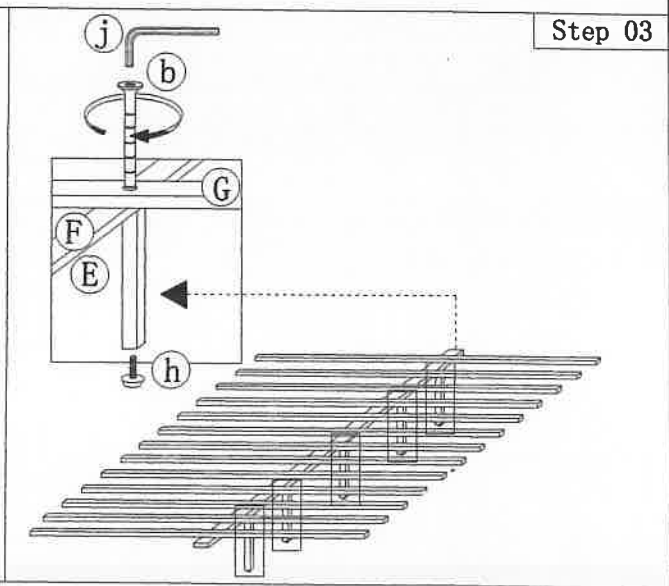
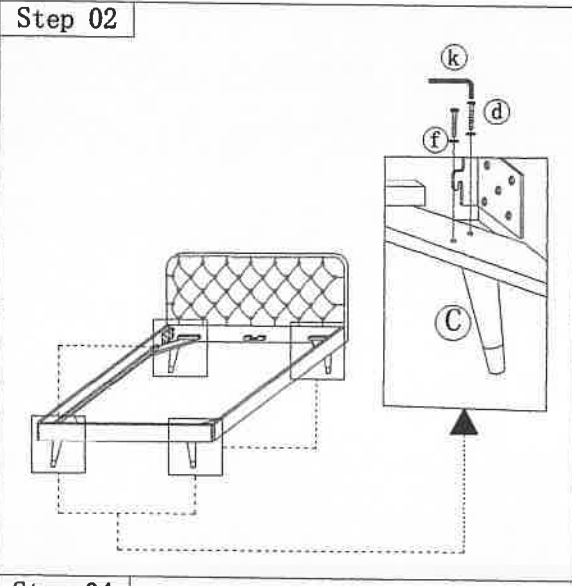
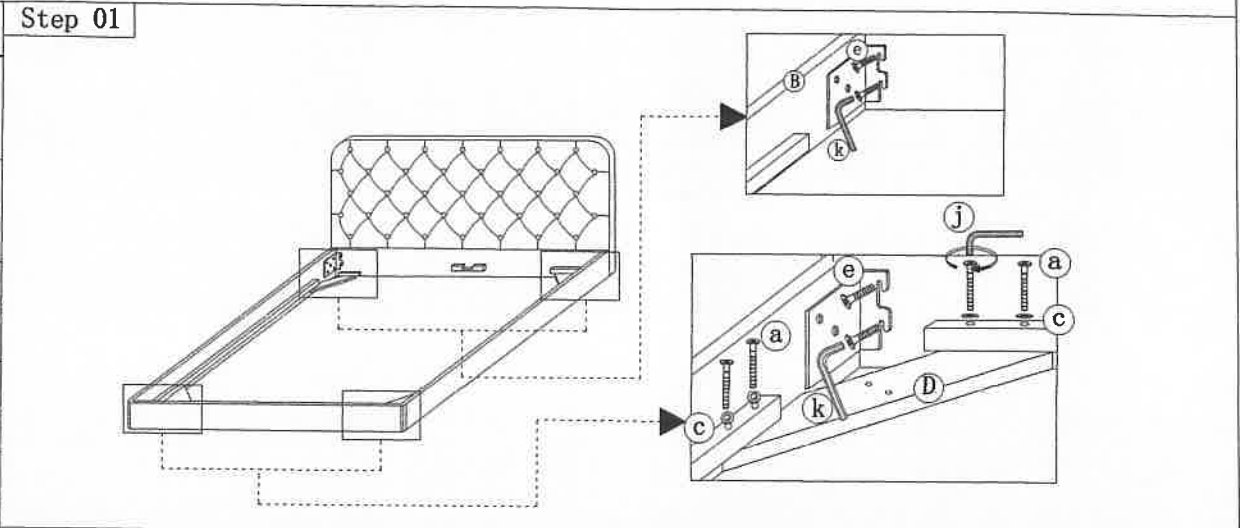
ASSEMBLY INSTRUCTION

ASSEMBLY TIPS: Remove hardware from box and sort by size. Check that all hardware and parts are present before assembling. Following instruction below in proper sequence to ensure fast, easy and correct assembly.

WARNING: DO NOT FULLY TIGHTEN ALL BOLTS UNTIL ALL PARTS IN PLACE, FAILURE TO FOLLOW THIS INSTRUCTION MAY CAUSE THE BOLTS TO BE MISALIGNED DURING THE ASSEMBLY.

Part List	
A	Headboard & Footboard
B	Side Rail
C	Leg
D	Corner Block
E	Support Leg
F	Center Rail
G	Slat

Hardware List	
a	JCBC M6 X 50 MM
b	JCBC M6 X 60 MM
c	Flat Washer M6
d	JCBB M8 X 50 MM
e	JCBB M8 X 16 MM
f	Flat Washer M8
g	CSK M4 X 30 MM
h	Adjuster Screw
i	JCBC M6 X 30 MM
j	Allen Key M4
k	Allen Key M5



COMPLETED ASSEMBLY