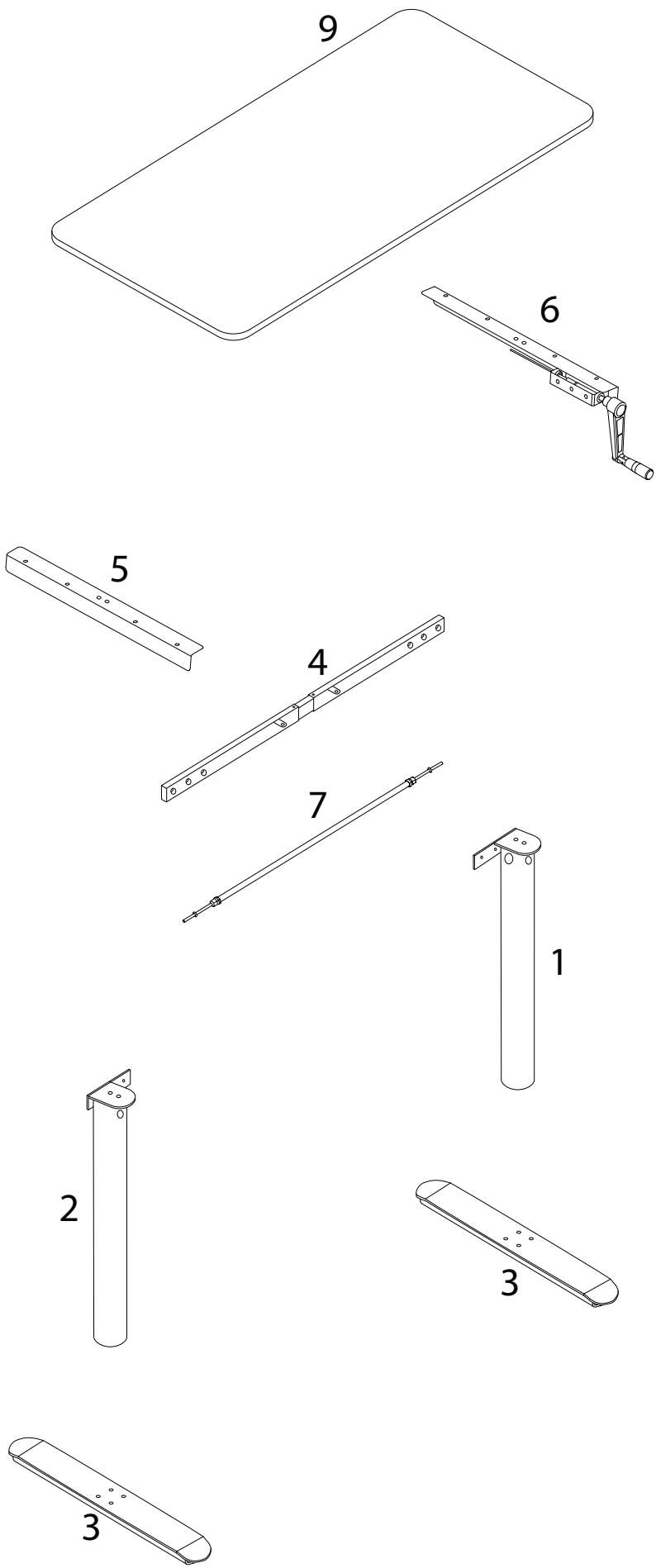
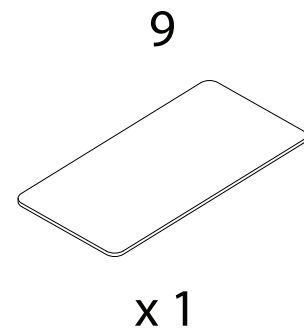
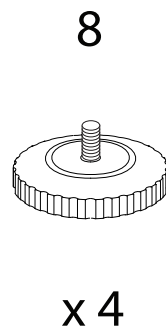
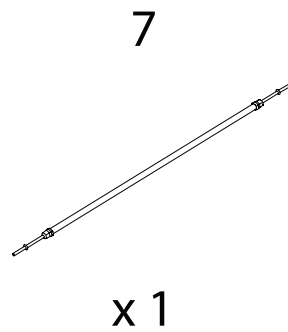
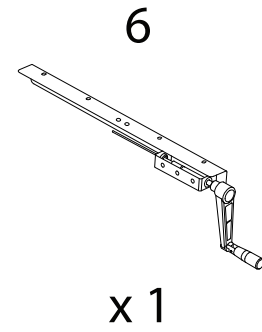
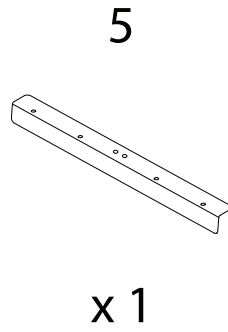
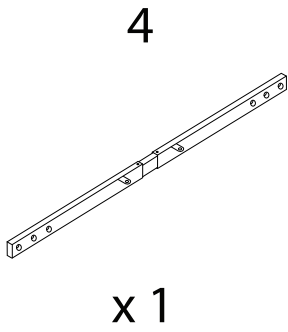
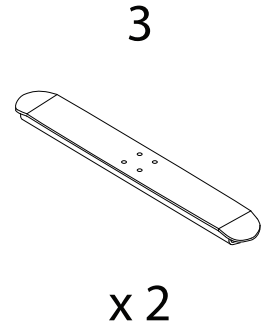
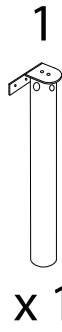


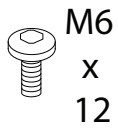
Diagram illustrating assembly steps and safety warnings:

- Step 1:** A circular inset shows an L-shaped metal bracket. To its right is a power drill. A warning triangle with an exclamation mark is positioned to the right of this inset.
- Step 2:** A circular inset shows a rectangular block being placed on a surface. To its right is a diagram of the block with a diagonal line through it, indicating a warning or restriction. A warning triangle with an exclamation mark is positioned to the right of this inset.
- Time:** A clock icon is shown, with the text "50'" below it, indicating a 50-minute time limit.
- Personnel:** A stick figure icon is shown, with the text "2" below it, indicating that two people are required for assembly.



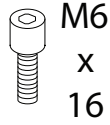


A



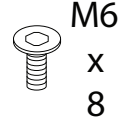
x 8

B



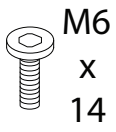
x 8

C



x 4

D



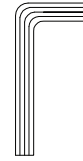
x 10

E



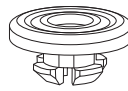
x 4

F



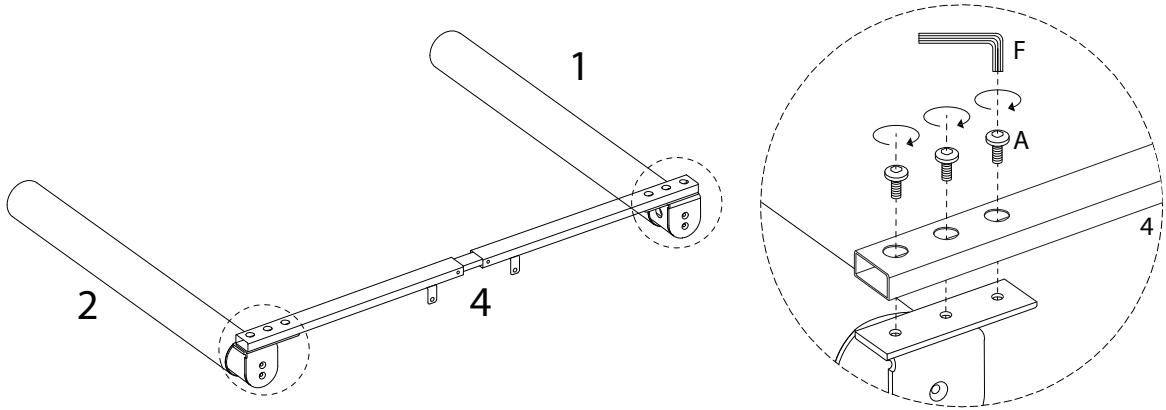
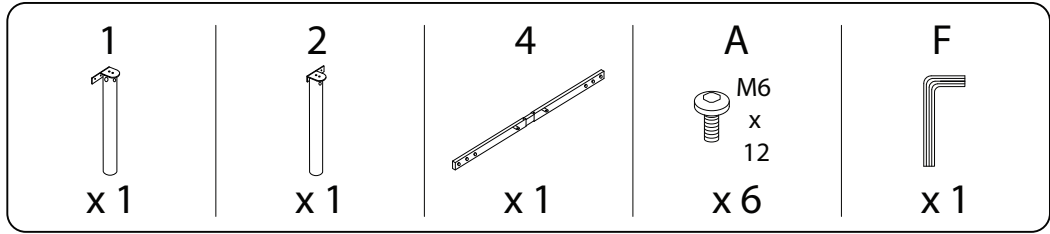
x 1

G

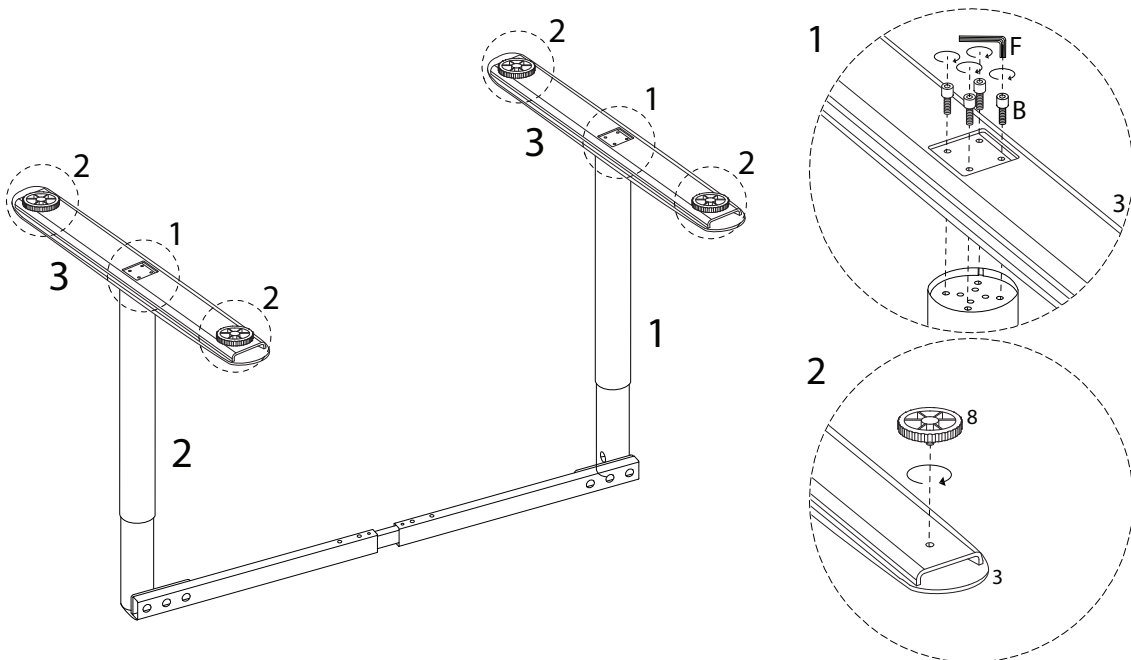
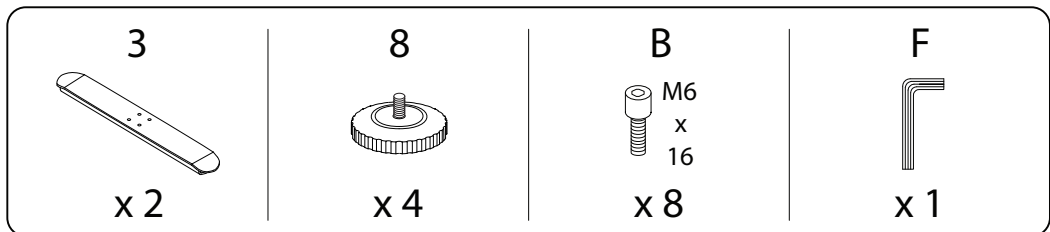


x 10

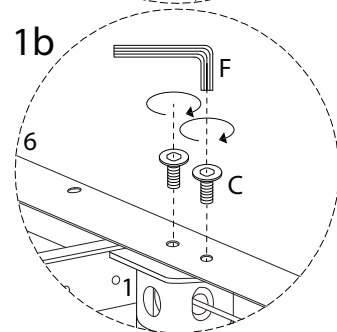
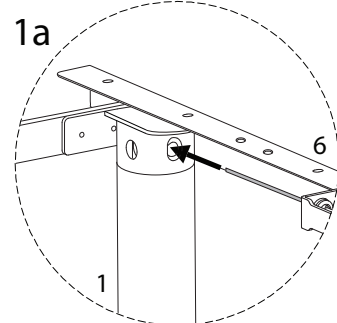
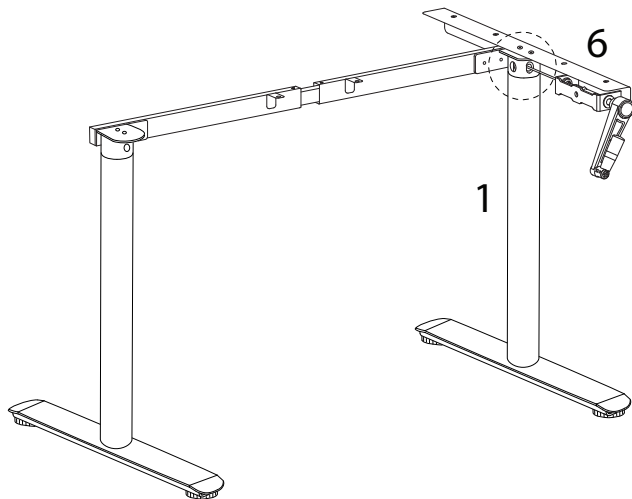
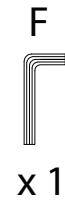
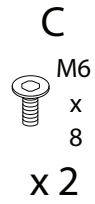
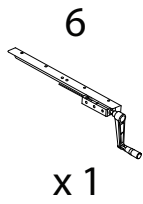
1



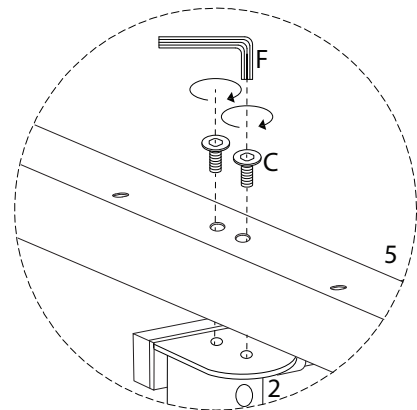
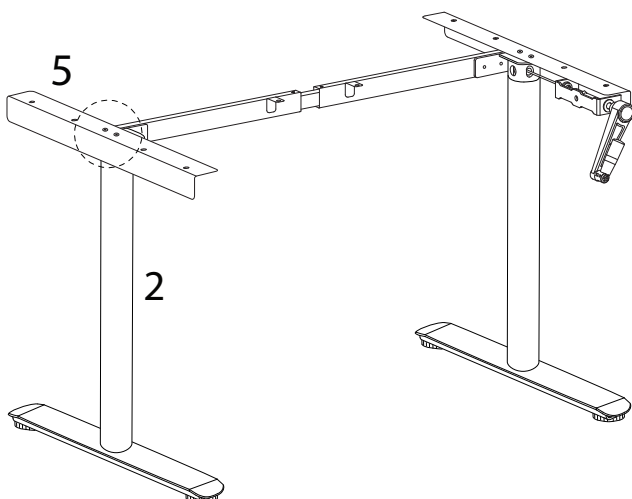
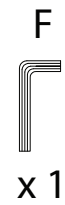
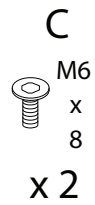
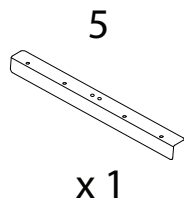
2



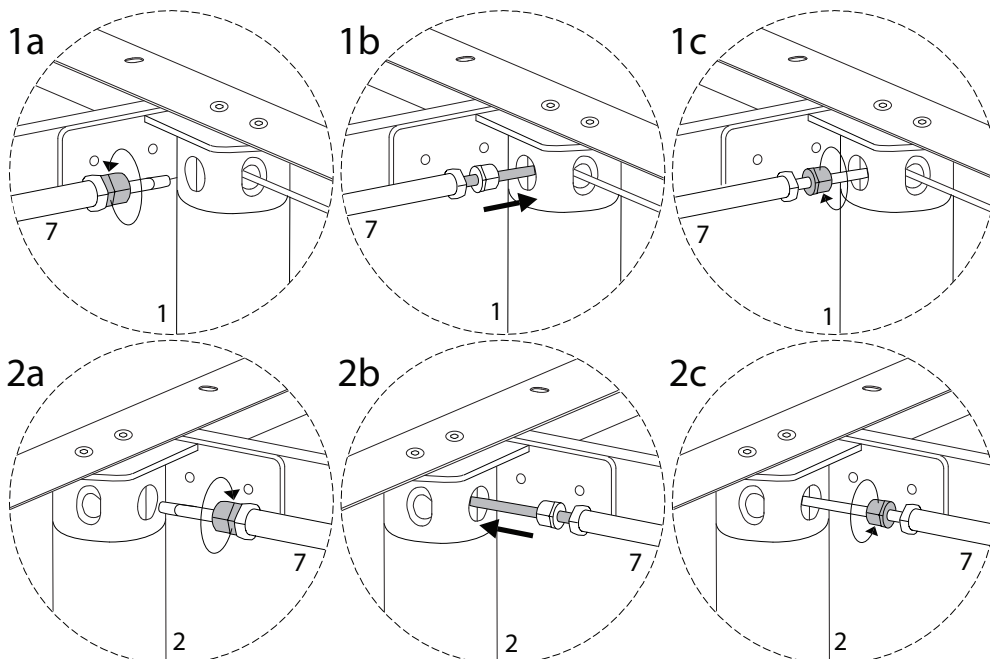
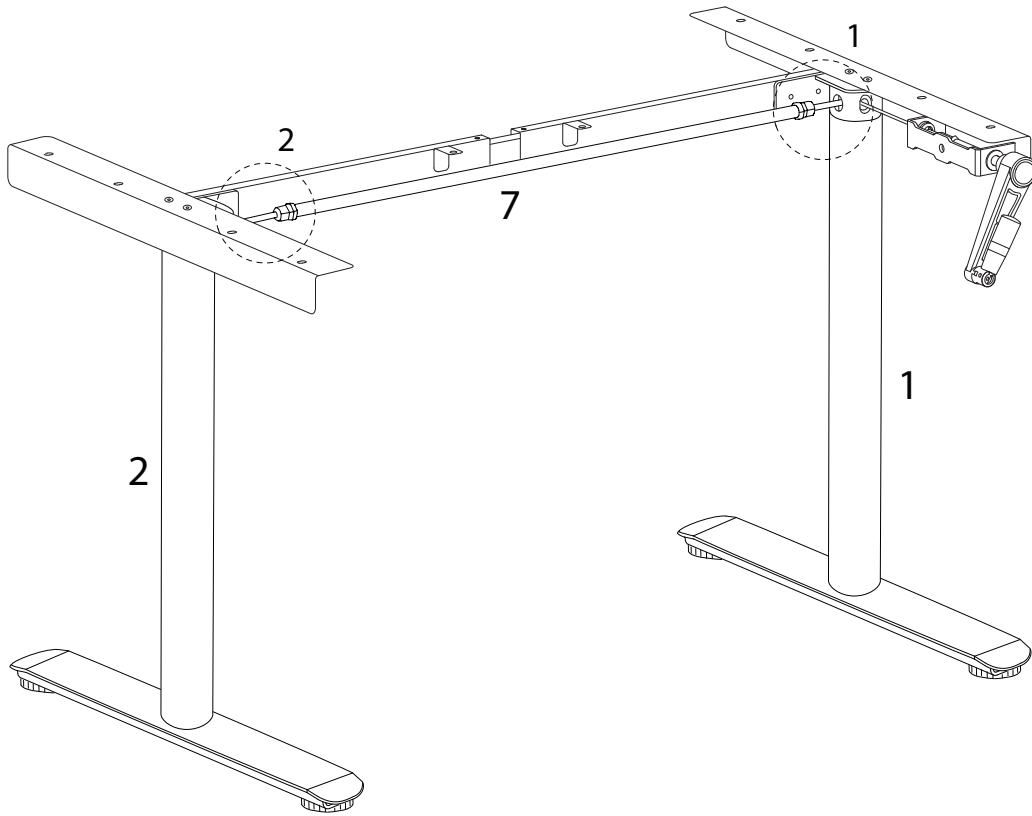
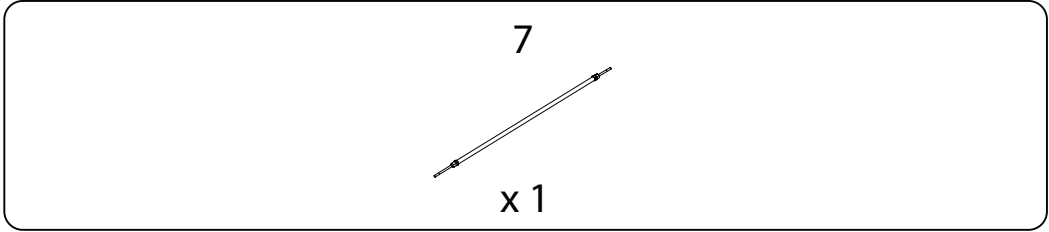
3



4



5

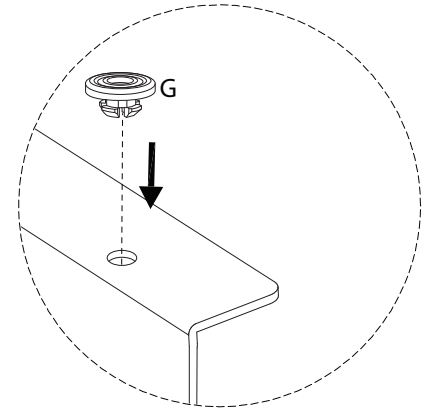
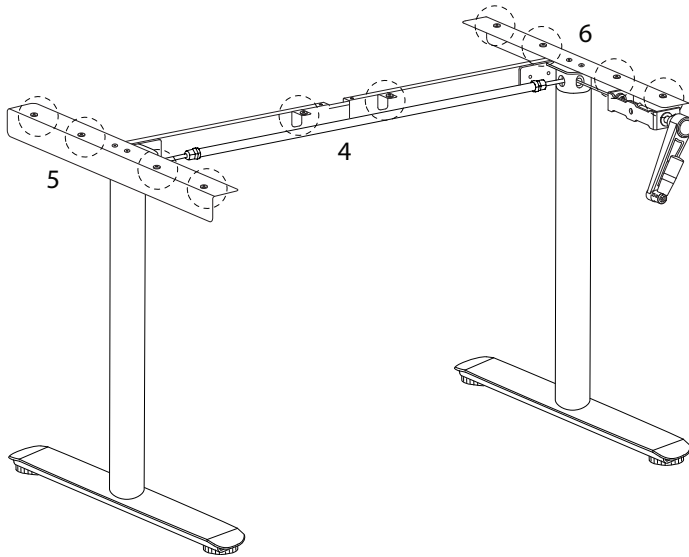


6

G

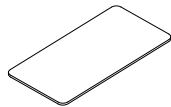


x 10



7

5



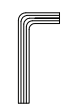
x 1

D

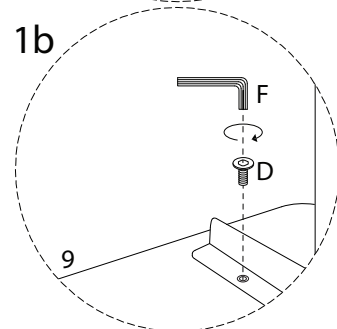
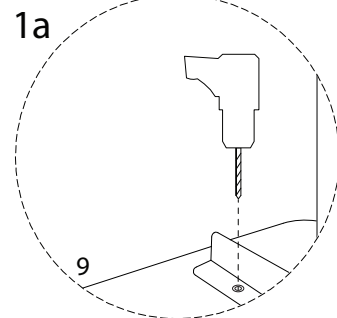
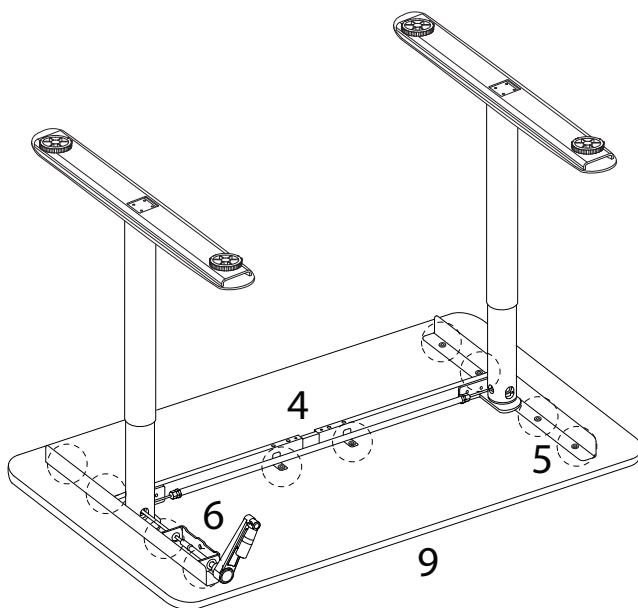


x 10

F



x 1



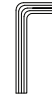
8

E

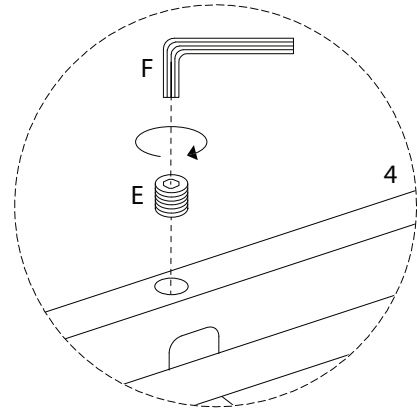
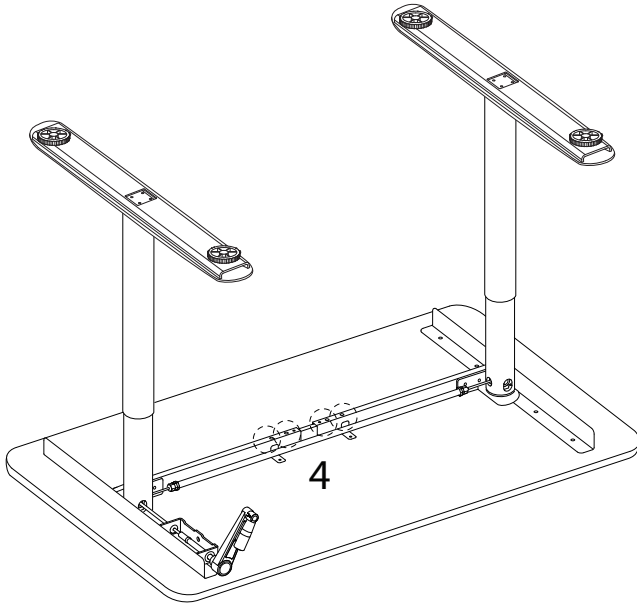


x 4

F



x 1



!

