

# 4-Drawer Accent Chest

SKU WHIF2231



## ASSEMBLY INSTRUCTIONS



**60** min. assembly

**2** person

\*The estimated assembly time may vary depending on the individual.

# Hey, there

Now is assembly time!

Deeeeeeep breathe.... and again....  
Tools ready,  
Easy peasy!

## Estimated



**60** min. assembly  
**2** person

## Tools Required

- Allen Wrench (included)
- Phillips screwdriver (not included)
- Power Drill (not included)

***important:** Cautious when you use power tools*

## Need Help?

Call us at +1 909 548 6688  
Email [customerservice@luxenhome.com](mailto:customerservice@luxenhome.com)  
Submit a ticket on [www.luxenhome.com/help](http://www.luxenhome.com/help)

Thank you for purchasing this LuxenHome product. This product has been manufactured with the highest standards of safety and quality.

### **PLEASE READ ALL INSTRUCTIONS CAREFULLY BEFORE ASSEMBLY.**

Un pack all parts from the packaging inside the carton to ensure there are no missing or damaged parts. Lay out all the parts on a clean, flat, and soft surface to prevent scratches. Refer to the steps provided as assembling guide.

Do not attempt to assemble or use the product if any parts are missing or damaged.

## REMINDERS

### **SAFE USAGE IS KEY**

Your well-being is our top priority when you use our product. Please prioritize your safety by diligently following the assembly guidelines and inspecting the product carefully both when it arrives and before each use.

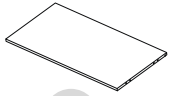
Please be aware that LuxenHome and Winsome House, Inc. cannot be held liable for any injuries or fatalities that occur due to not adhering to the provided instructions or misuse of the product.

### **DO NOT MODIFY**

Our products undergo rigorous testing to ensure they meet established safety standards before being released for sale. Altering the product in any way can lead to serious safety concerns, for which LuxenHome cannot assume responsibility.

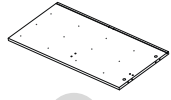
# What's in the box

## Parts



1 X 1

Left side panel



2 X 1

Right side panel



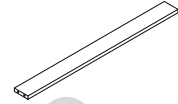
3 X 1

Back support bar



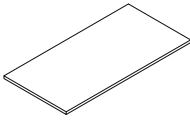
4 X 1

Top support bar



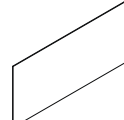
5 X 1

Drawer support bar



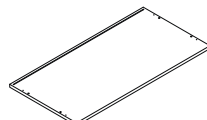
6 X 1

Top panel



7 X 1

Back panel



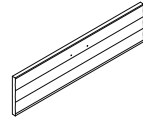
8 X 1

Bottom panel



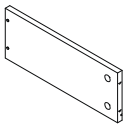
9 X 4

Metal leg



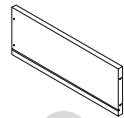
10 X 4

Drawer front panel



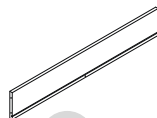
11 X 4

Drawer side panel



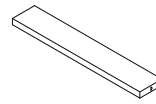
12 X 4

Drawer side panel



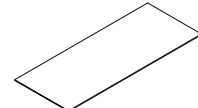
13 X 4

Drawer back panel



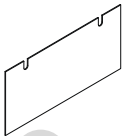
14 X 4

Drawer bottom support bar



15 X 4

Drawer bottom panel



16 X 1

Back panel

# What's in the box

## Hardware & Accessory



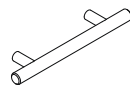
**A** X 32+3  
M6 x 36mm



**B** X 32+3  
M15 x 9mm



**C** X 12+2  
M5.8 x 30mm



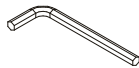
**D** X 4  
Handle



**E** X 48+3  
M3.5 x 12mm



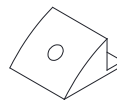
**F** X 16+2  
M6 x 12mm



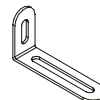
**G** X 1  
Allen key



**H** X 12+2  
M3 x 16mm



**I** X 12+2  
Wedge



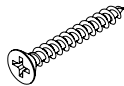
**J** X 2  
Wall bracket



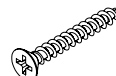
**K** X 2  
M4 x 14mm



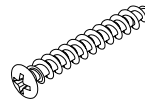
**L** X 2  
Wall plug



**M** X 6  
M4 x 35mm



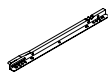
**N** X 20+3  
M4 x 30mm



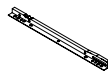
**O** X 2  
M4 x 40mm



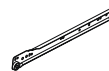
**P** X 8  
M4 x 18mm



**DL** X 4  
Inner left drawer  
runner



**DR** X 4  
Inner right drawer  
runner

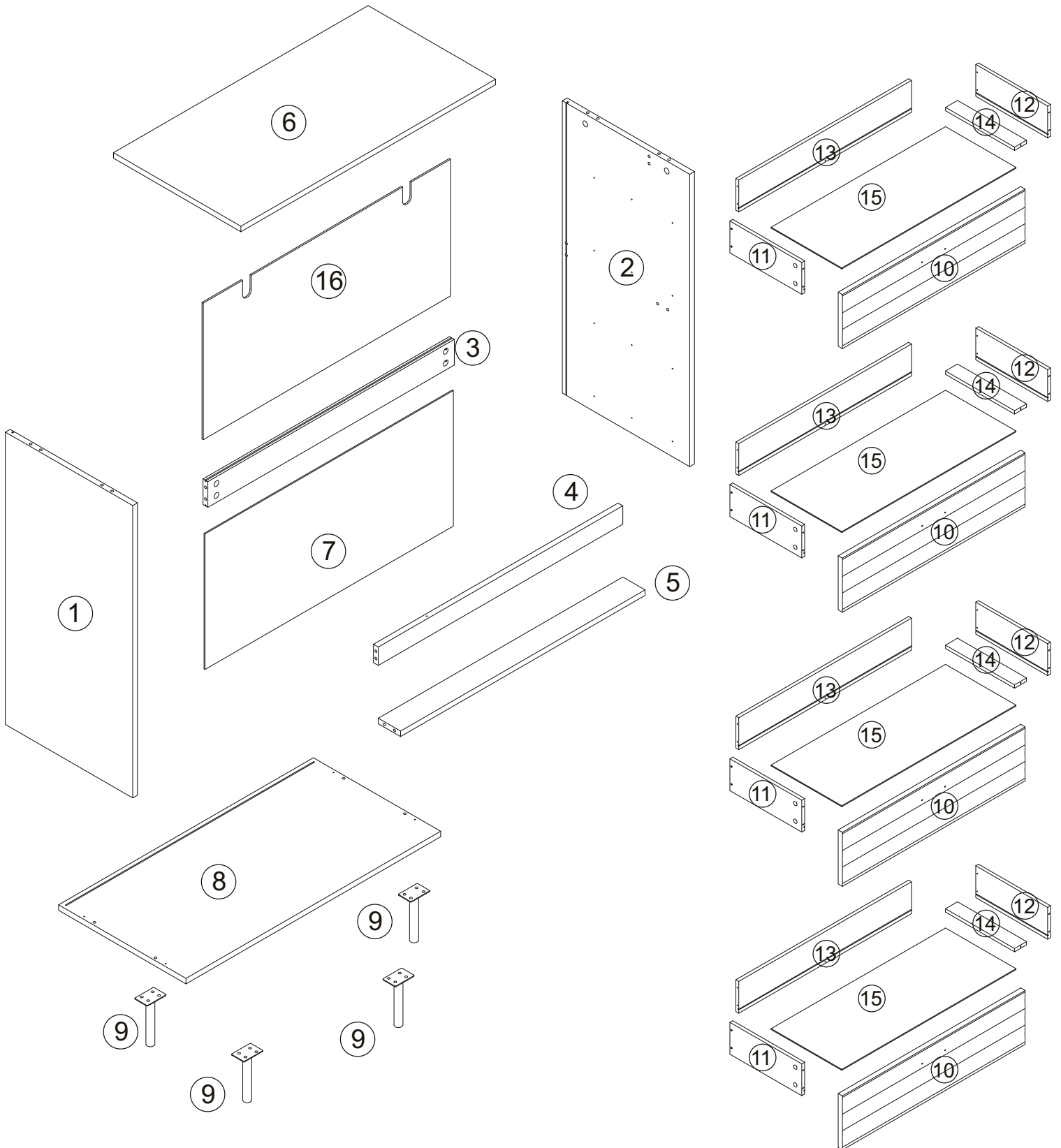


**CL** X 4  
Outer left  
drawer runner



**CR** X 4  
Outer right  
drawer runner

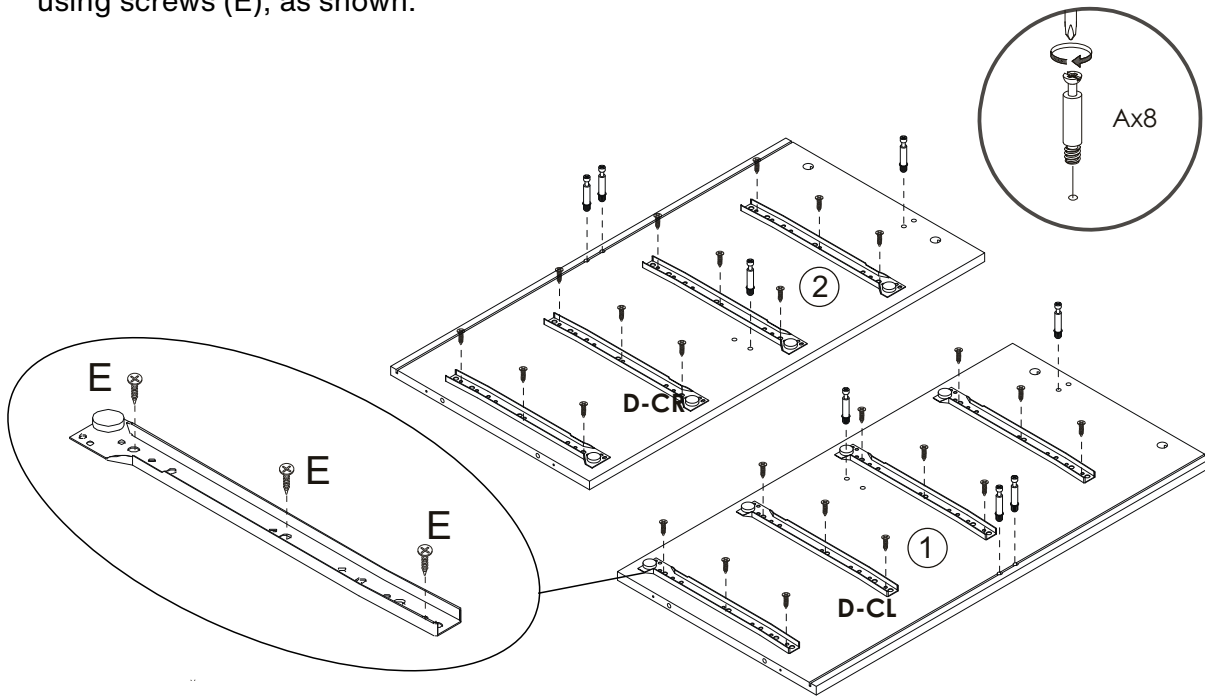
# Assembly



# Step 1

Insert quickfit screws (A) into parts 1 and 2, as shown.

Fix left outer drawer runner (CL) and right outer drawer runner (CR) to parts 1 and 2 using screws (E), as shown.



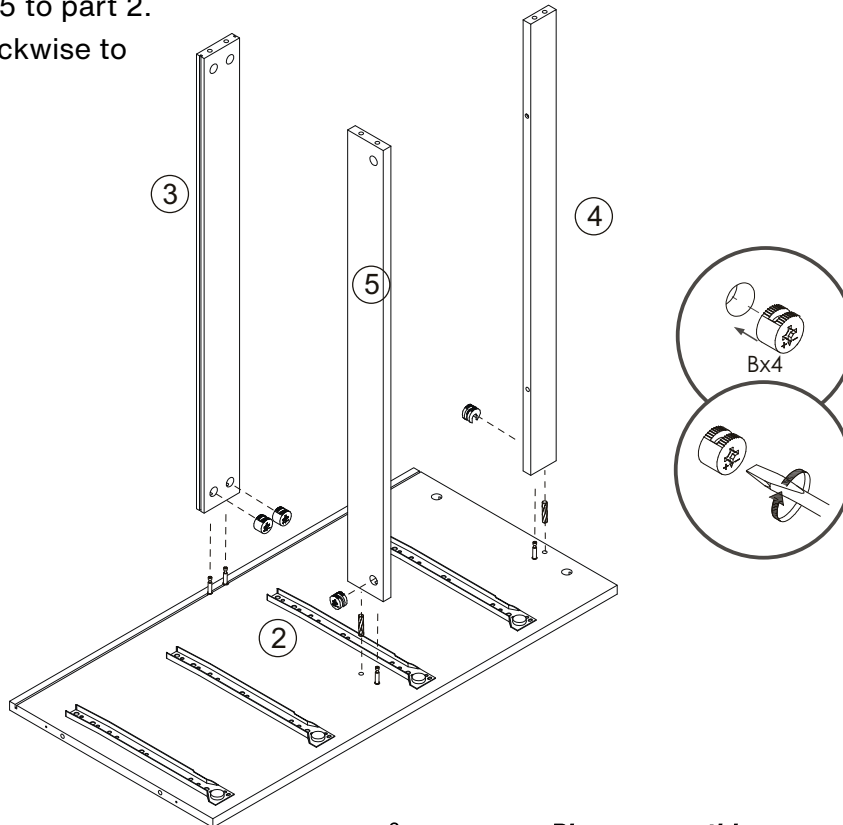
CLx4
CRx4
E x24
Ax8
M3.5 x 12mm
Ax8
M6 x 36mm

# Step 2

Insert cam locks (B) and wooden dowels (C) into parts 3, 4 and 5, as shown.

Fit parts 3, 4 and 5 to part 2.

Turn cam lock clockwise to tighten.



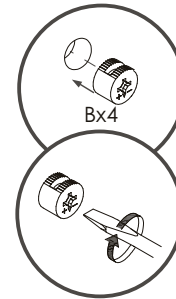
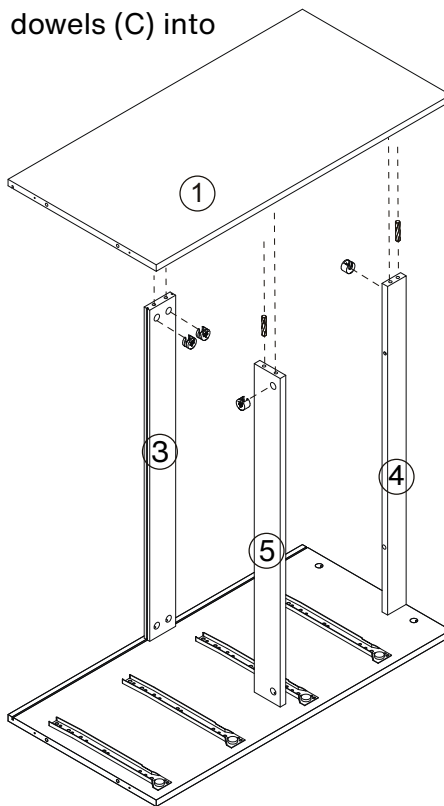
Bx4
M15 x 9mm
Cx2
M5.8 x 30mm



# Step 3

Insert cam locks (B) and wooden dowels (C) into parts 3, 4 and 5, as shown.

Fit part 1 to parts 3, 4 and 5

Turn cam locks clockwise to tighten.

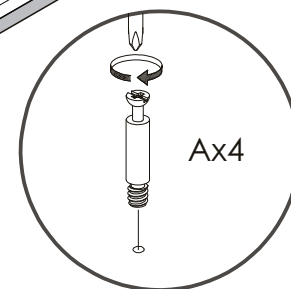
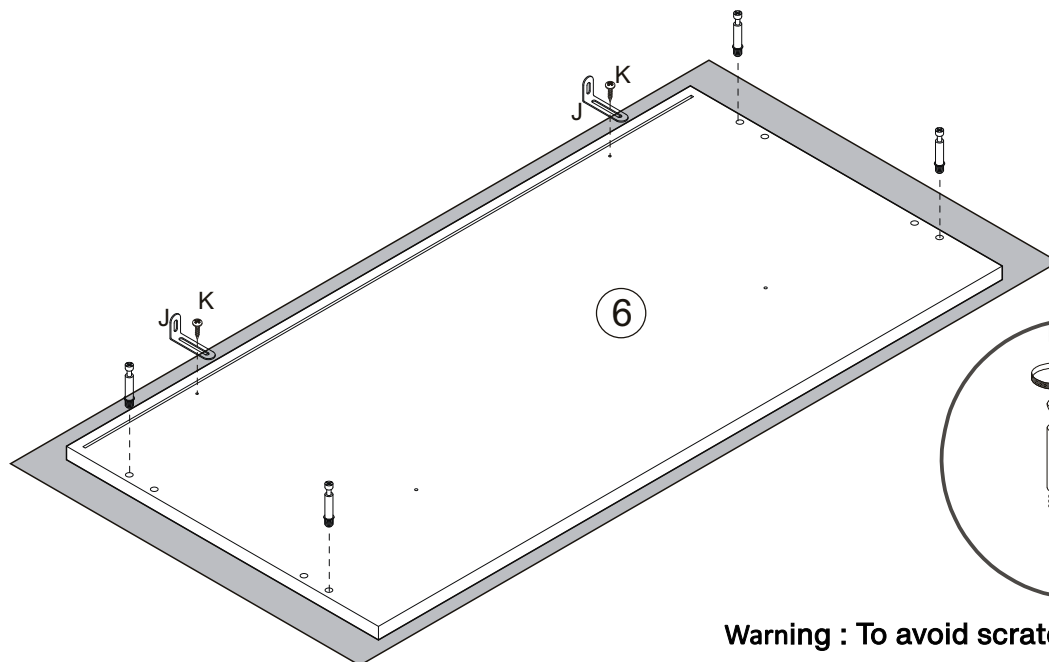





<b>Bx4</b>
 M15 x 9mm
<b>Cx2</b>
 M5.8 x 30mm

# Step 4

Insert quickfit screws (A) into part 6, as shown.

Fix wall brackets (J) to part 6 using screws (K), as shown.

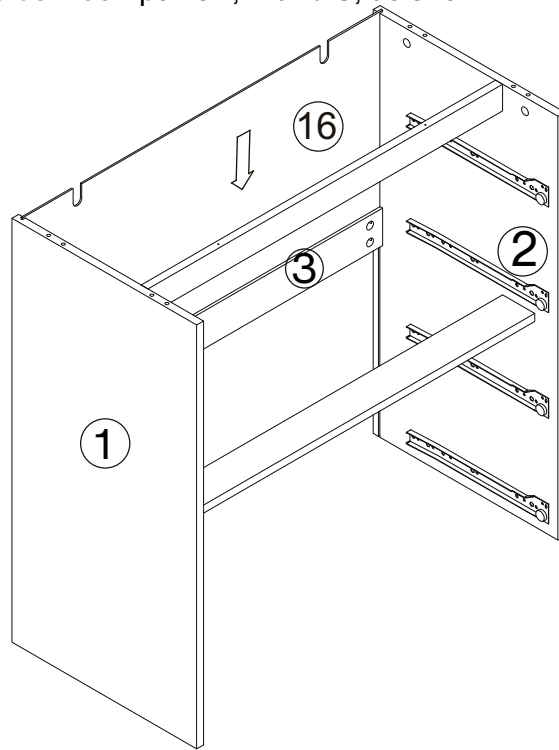


<b>Ax4</b>
 M6 x 36mm
<b>Jx 2</b>

<b>Kx2</b>
 M4 x 14mm

**Warning :** To avoid scratches, place the panels on a clean and soft surface.

# Step 5

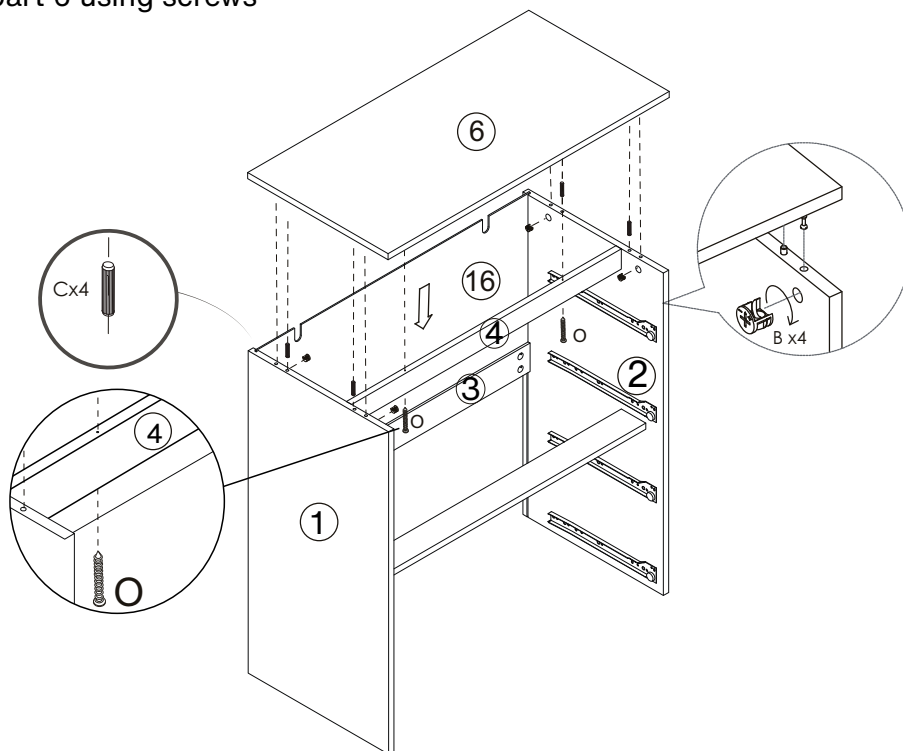
Slide part 16 into grooves between parts 1, 2 and 3, as shown.



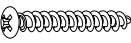


# Step 6

Insert cam locks (B) and wooden dowels (C) into parts 1 and 2, as shown.  
Fit part 6 to parts 1 and 2.

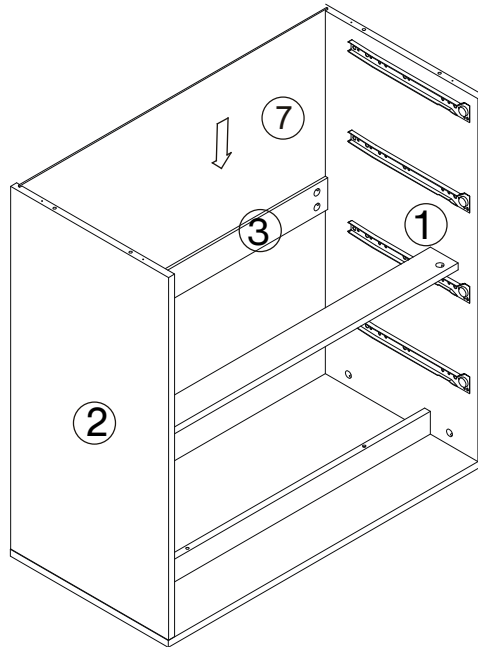
Turn cam locks clockwise to tighten.  
Secure part 4 to part 6 using screws (O), as shown.



<b>Bx4</b>
 M15 x 9mm
<b>Cx4</b>
 M5.8 x 30mm
<b>Ox2</b>
 M4 x 40mm

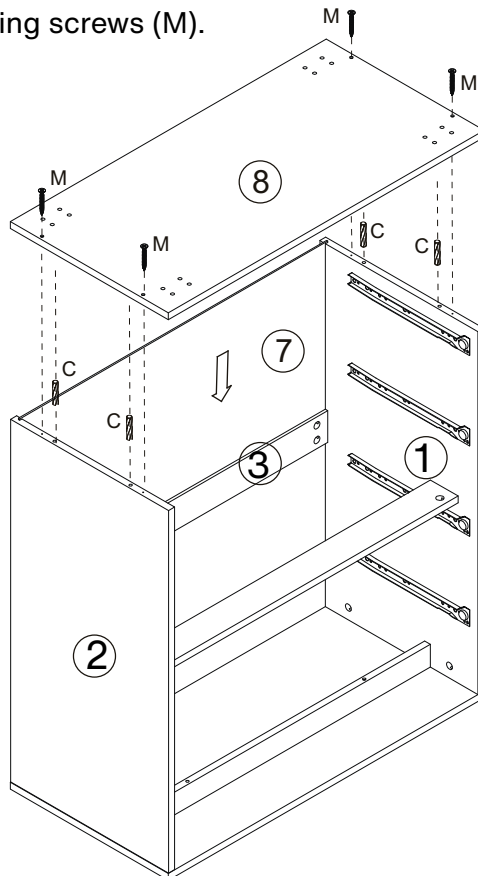
# Step 7

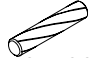
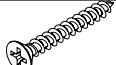
Slide part 7 into grooves of parts 1, 2 and 3.



# Step 8

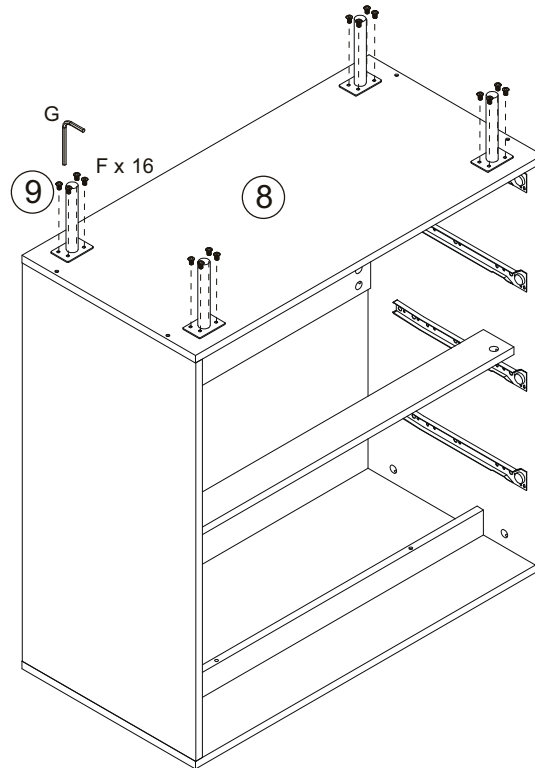
Insert wooden dowels (C) into parts 1 and 2.  
Fix part 8 to parts 1 and 2 using screws (M).


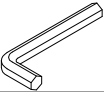


Cx4
 M5.8 x 30mm
Mx4
 M4 x 35mm

# Step 9

Fix legs 9 to part 8 using screws (F) and allen key (G), as shown.



Fx16

M6 x 12mm
Gx1


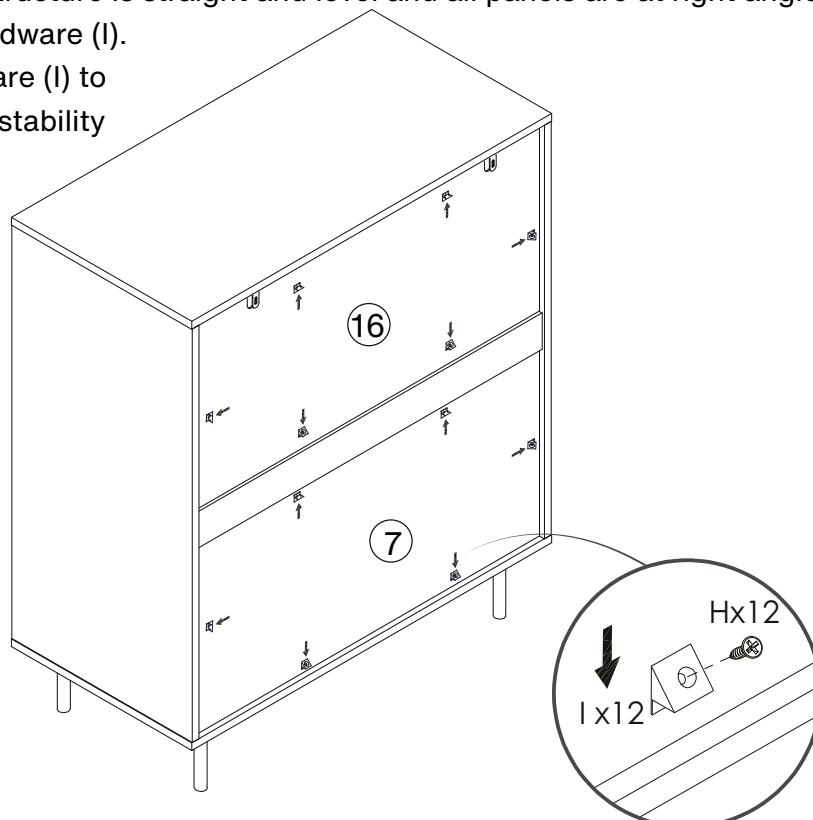
# Step 10


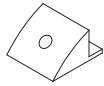
Secure backing panels 7 and 16 by fixing wedges (I) using screws (H), as shown.

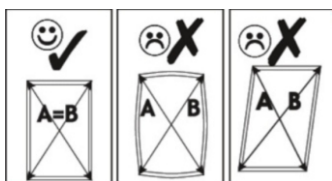
## ATTENTION PLEASE

Please ensure the structure is straight and level and all panels are at right angles before installing hardware (I).

MUST install hardware (I) to strengthen product stability



Hx12

M3 x 16mm
Ix12


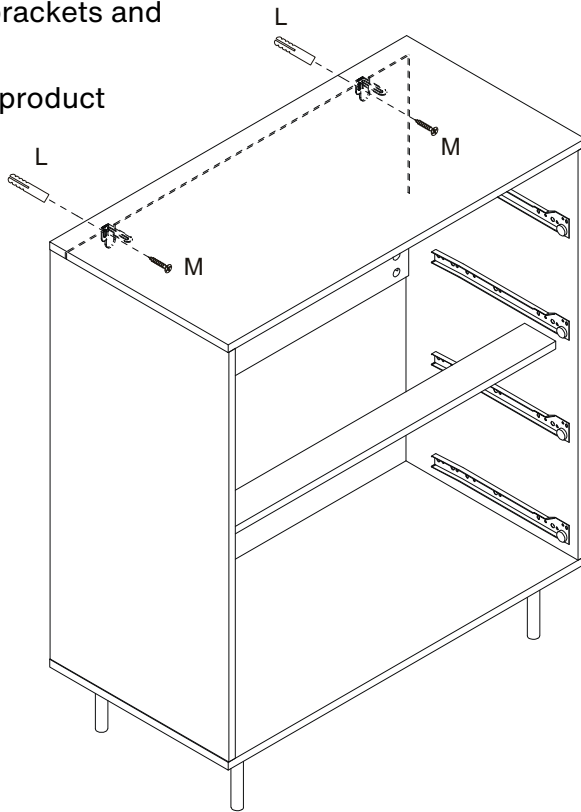



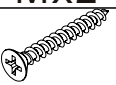
# Step 11

For extra stability, it is recommended that you fix your Chest of drawers to the wall using hardwares (L and M), as shown.

Screws (M) are fixed through wall brackets and into the wall plugs (L).

Should you choose not to affix the product to the wall, serious injury may be caused if the product tips over.

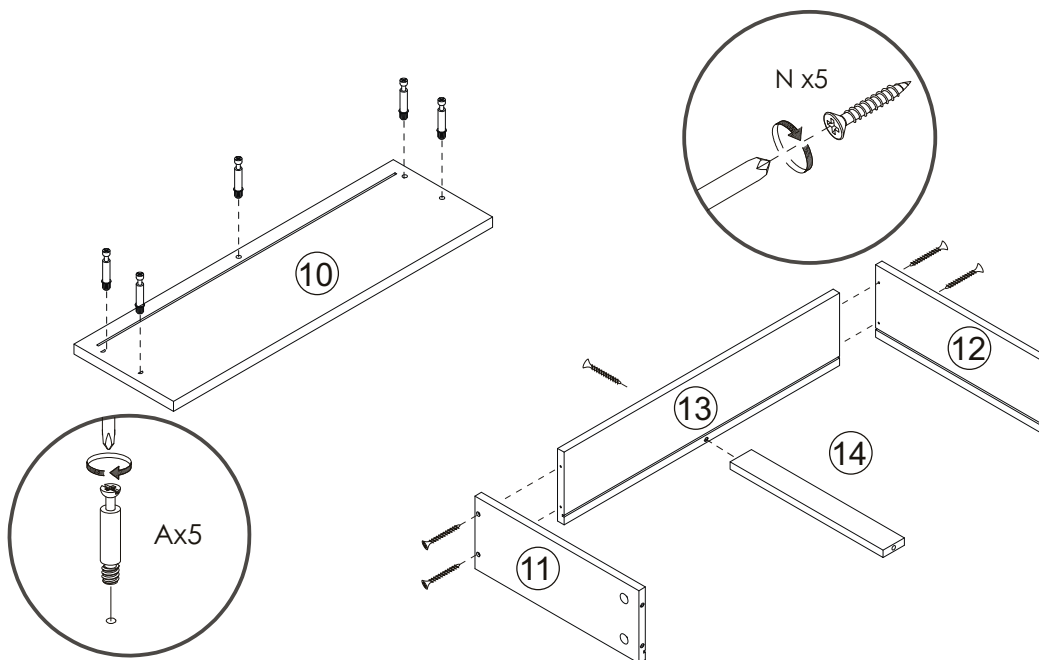



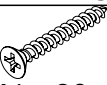
Lx2

Mx2

M4 x 35mm

# Step 12

Insert quickfit screws (A) to parts 10, as shown.

Fix parts 11, 12 and 14 to part 13 using screws (N), as shown.






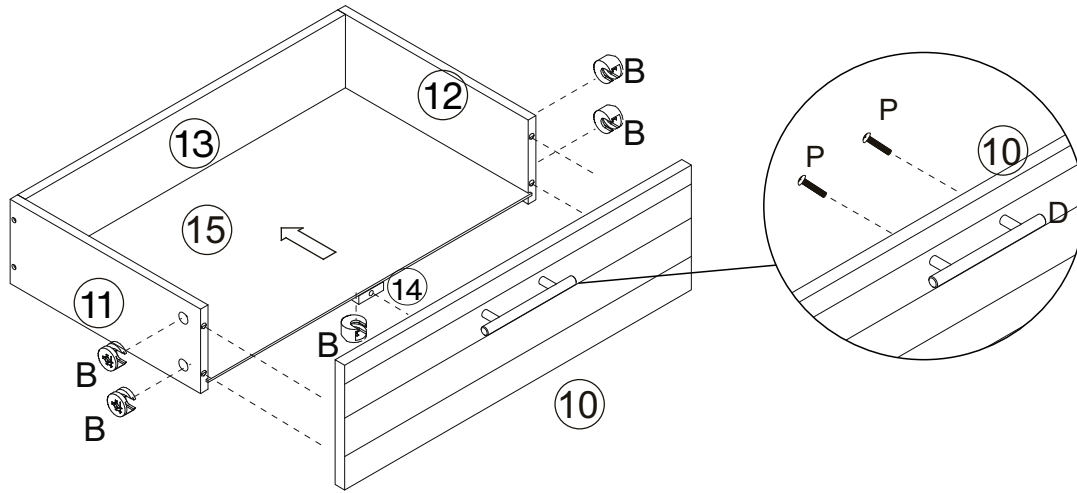
Ax20

M6 x 36mm
Nx20

M4 x 30mm

X 4

# Step 13

Fix handles (D) to parts 10 using screws (P), as shown.  
 Insert parts 15 into grooves parts 11, 12 and 13, as shown.  
 Insert cam locks (B) into parts 11, 12, 13 and 14, as shown.  
 Fit parts 10 to parts 11, 12 and 15.  
 Turn cam locks clockwise to tighten.

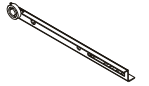
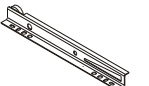

Bx20

M15 x 9mm
Px 8

M4 x 18mm
Dx4


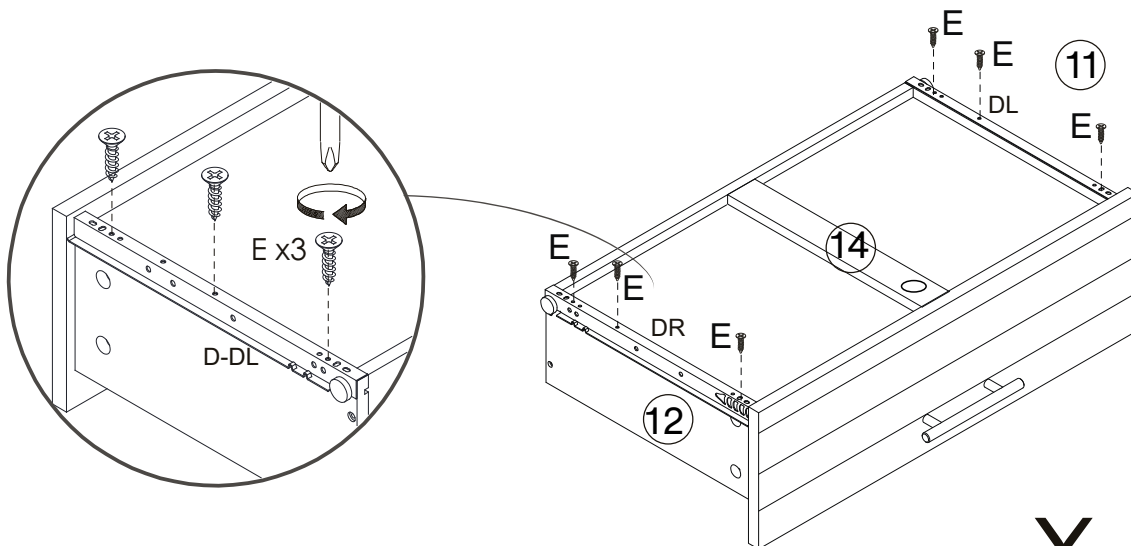


**X 4**

# Step 14

Fix left inner drawer runners (DL) and right inner drawer runners (DR) to parts 11 and 12 using screws (E), as shown.

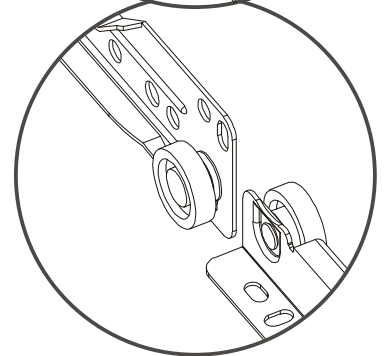
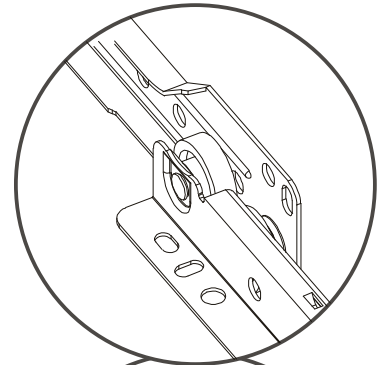
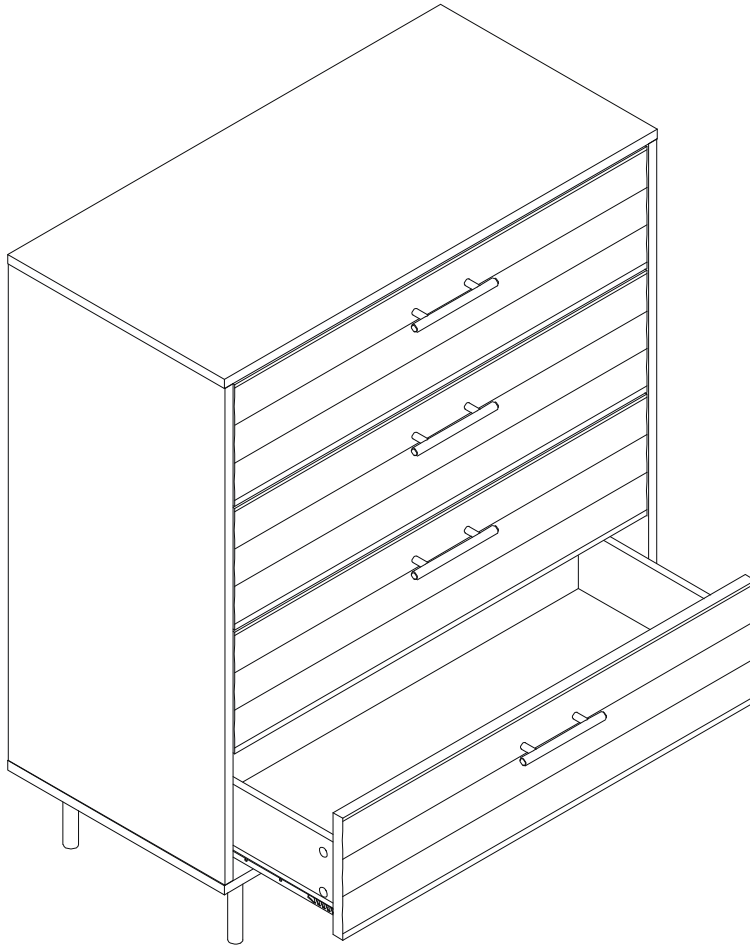
DRx4

DLx4

Ex24

M3.5 x 12mm



**X 4**

# Step 15

Insert drawers into the assembled unit, as shown.  
Please to be noted the wheels on the drawer runners should be fit into place.



**VOILA!**  
Now enjoy.



**Warning**

DO NOT climb, sit or stand on the chest as this may damage the product and cause serious bodily injury.

# Something not right?

We are always here to help.

## **We make mistakes like every human does.**

Though we always strive to provide the best possible products at competitive prices and the best service in the industry, it's not possible to completely eliminate mistakes. If you experience any dissatisfaction, feel free to contact us immediately. Our in-house customer care team will respond ASAP.



[customerservice@luxenhome.com](mailto:customerservice@luxenhome.com)  
Get response within 24 hrs



909.548.6688  
Mon-Fri 9am-5pm PST/PDT



[www.luxenhome.com/help](http://www.luxenhome.com/help)  
Submit a ticket on our website

## **Things to do to expedite the process**

- Have your order# ready
- Take photos/videos to help us better identify the issues
- DO NOT throw away the packaging

# Happy with our product?

## Leave us a review

It really help us as a small business

- Find the product you purchased on our website (tip: search by SKU) and leave us a review.
- Alternatively, you can always return to the marketplace where you purchased it and leave a review there.

## Share with others

Our customers look for REAL stuff



- Follow us on IG @luxen.home
- Share your #liveluxen moments



**Please save this manual  
for future reference.**