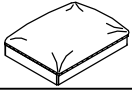


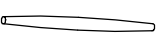





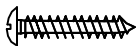


ASSEMBLY INSTRUCTIONS

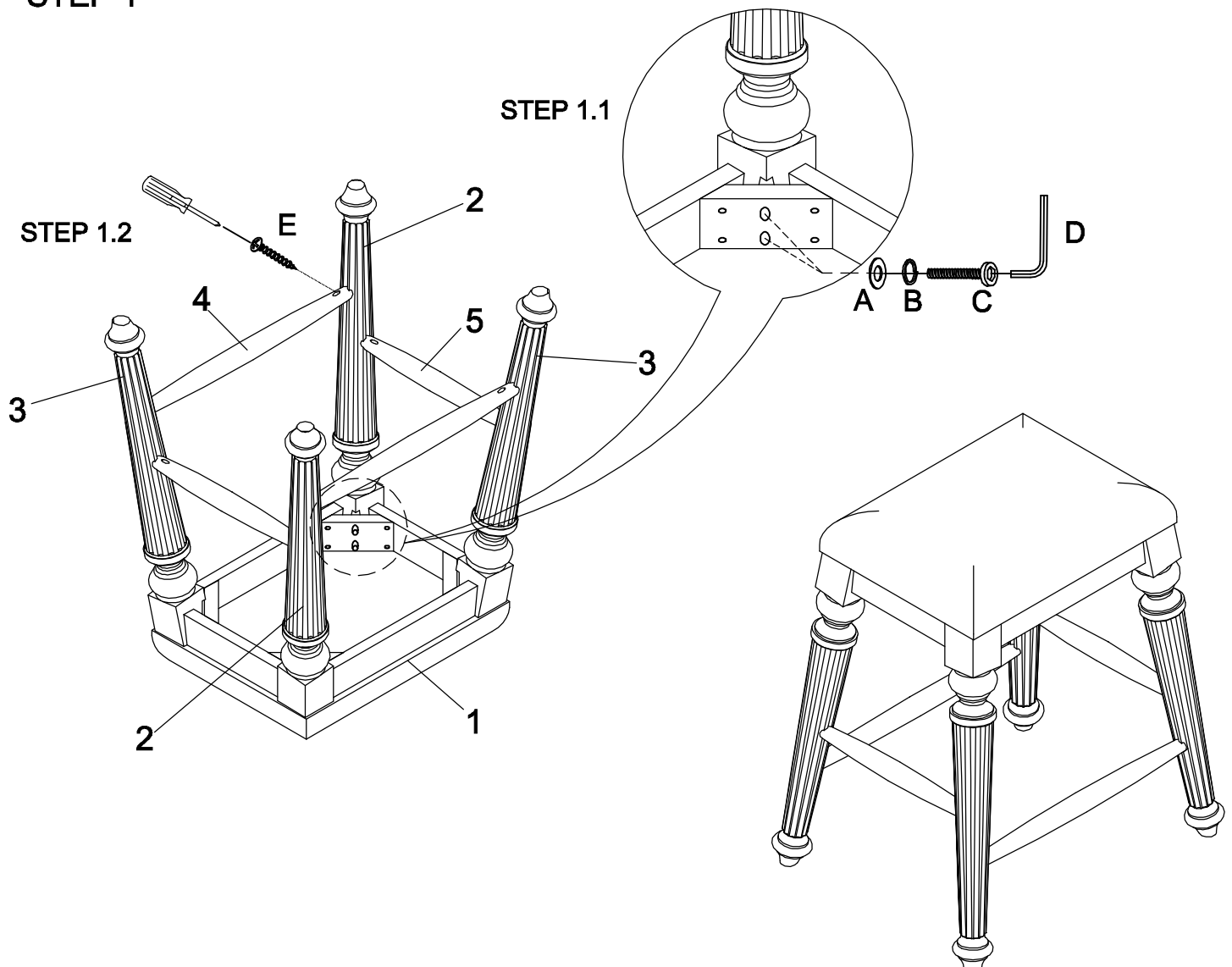
KITCHEN ISLAND BACKLESS STOOL

Thank you for purchasing this quality product. Be sure to check all packing material carefully for small parts, which may have come loose inside the carton during shipment. Identify and count all parts and compare with the **HARDWARE LIST** below.

NO.	PARTS LIST	Q'TY
1	 Seat Cushion	1
2	 Front leg(Right) Back leg(Left)	2
3	 Front leg(Left) Back leg(Right)	2
4	 Long Stretcher	2
5	 Short Stretcher	2

NO.	HARDWARE LIST	Q'TY
A	 Ø5/16"X19X2mm Flat washer	8
B	 Ø5/16"X13X1mm Spring washer	8
C	 Ø5/16"X50mm Bolt	8
D	 4mm Allen wrench	1
E	 Ø8 x 38 Screw	8

STEP 1



Do not fully tighten all screws and bolts until the entire item is completely assembled.