
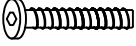






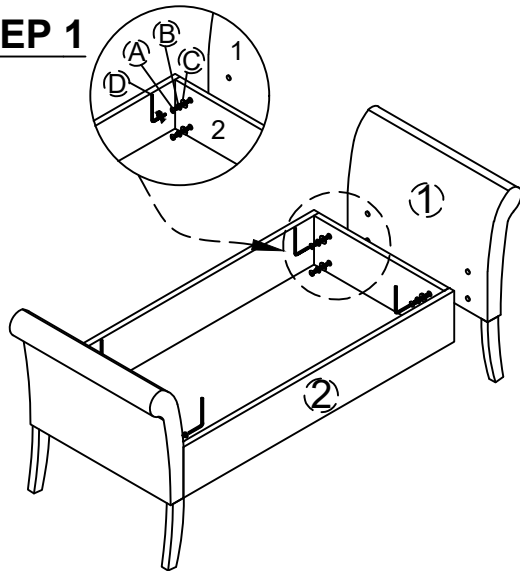
# ASSEMBLY INSTRUCTIONS

## ITEM NO: 95468

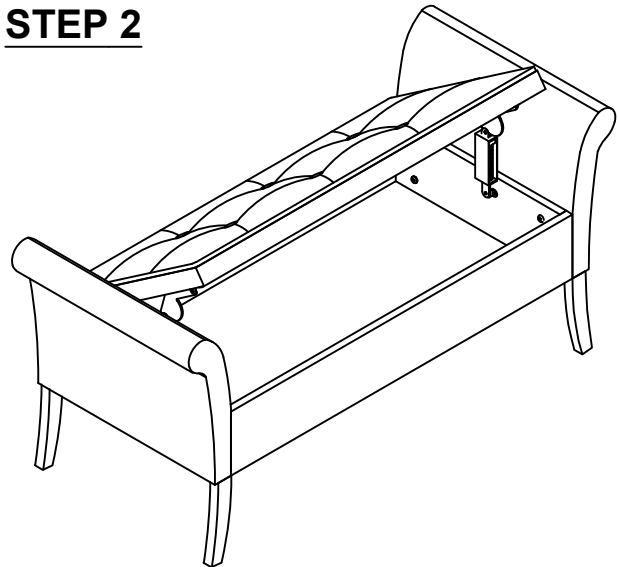
Thank you for purchasing this quality product. Be sure to check all packing material carefully for small parts that may have come loose inside carton during shipment . (Note: Loosely thread all screws/bolts first. Once the item is assembled then completely tighten).

PART LIST:				HARDWARE LIST:				
NO:	DESCRIPTION	SKETCH	QUALITY	NO:	SKETCH	DESCRIPTION	SIZE	QUALITY
1	Back Chair		2Pcs	A		Allen Head Bolt	Ø8x45mm	8 Pcs
				B		Lock Washer	Ø8xØ13	8 Pcs
2	Seat		1Pc	C		Flat Washer	Ø8xØ20	8 Pcs
				D		Allen Key	Ø5x75mm	1 Pc

### STEP 1



### STEP 2



### Finish:

