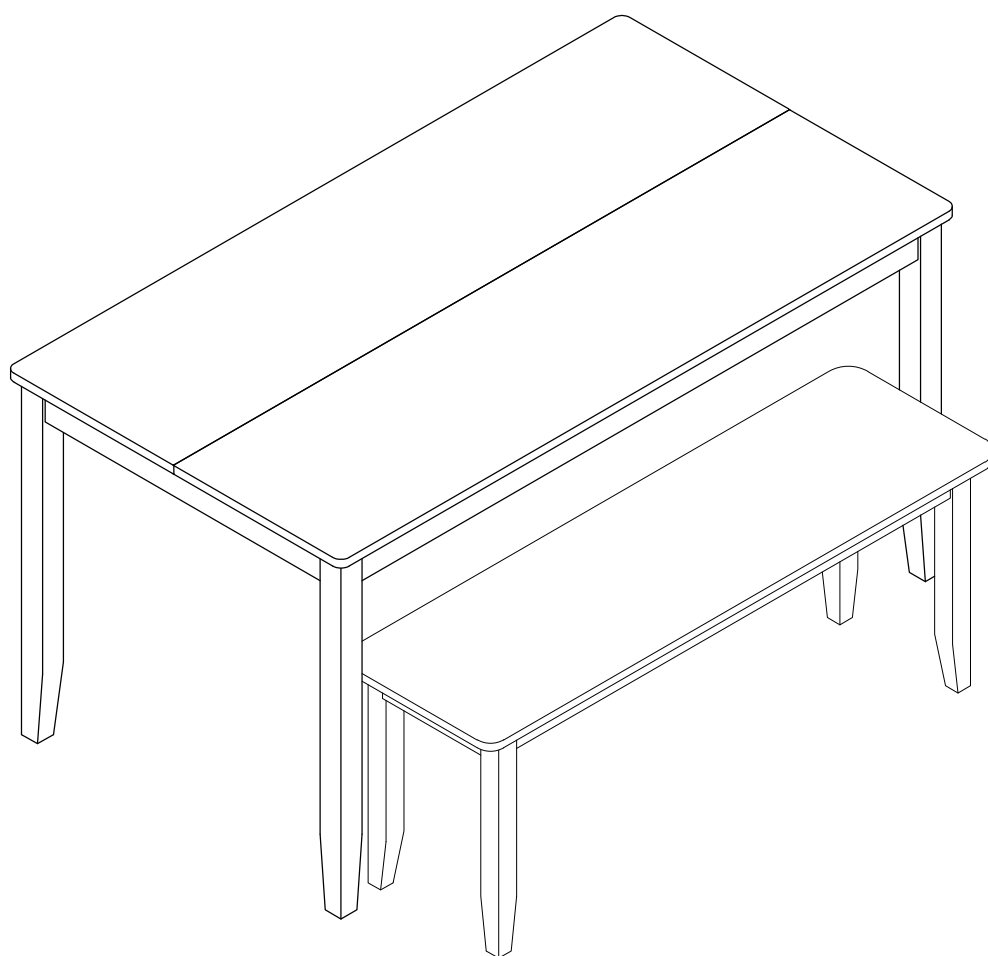


ASSEMBLY INSTRUCTIONS



Dining Table

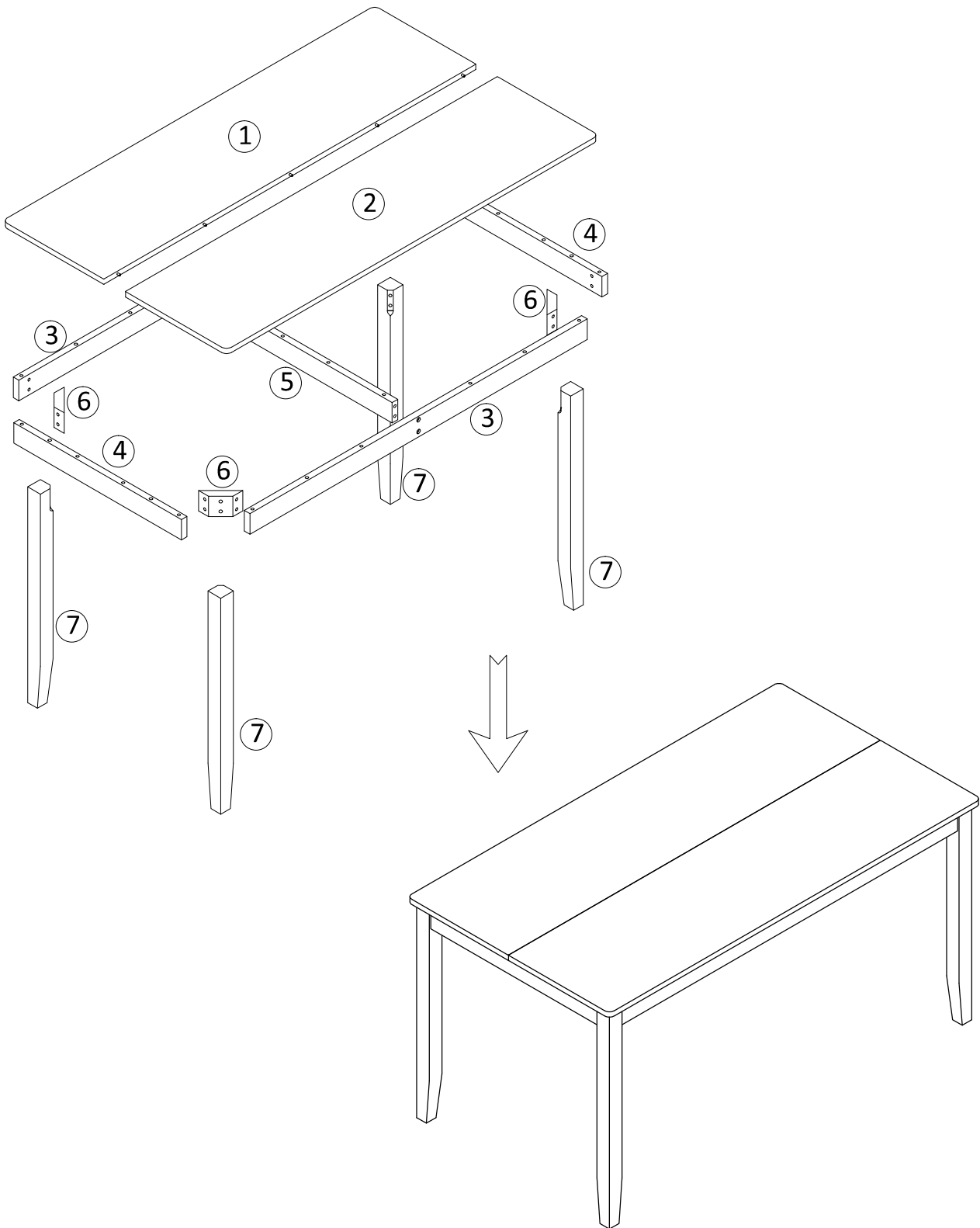
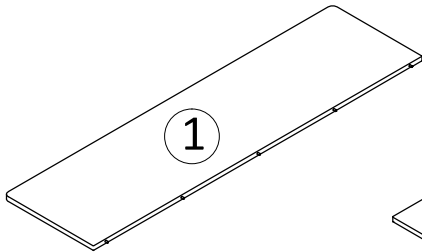
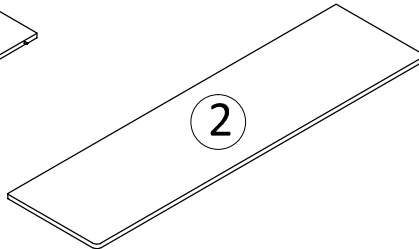


Table Board Identification

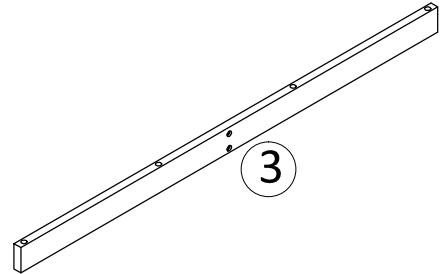
Not actual size



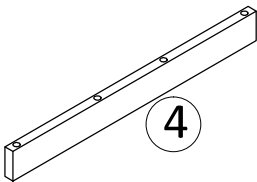
Back Table Top x1



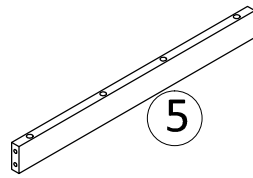
Front Table Top x1



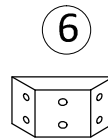
Front / Back Apron x2



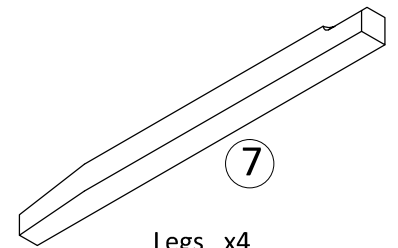
Side Apron x2



Middle Apron x1

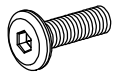


Corner Block x4



Legs x4

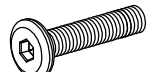
Hardware List for Table



1/4*30mm

A

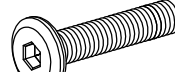
x20+1



1/4*50mm

B

x20+1



5/16*65mm

C

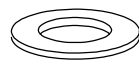
x8+1



5/16

D

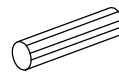
x8+1



5/16

E

x8+1



∅8*30mm

F

x8+1

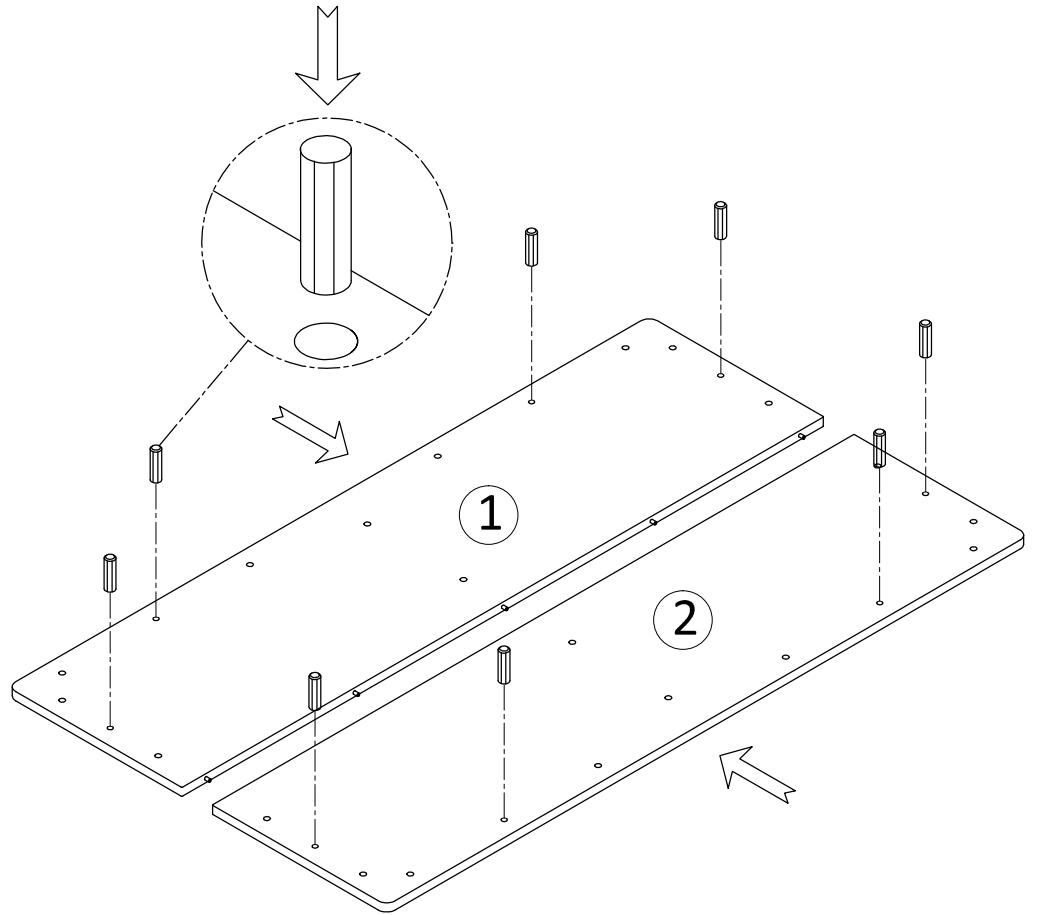
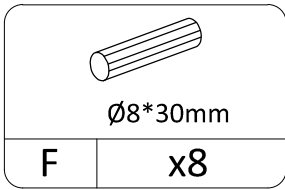


M4x60mm

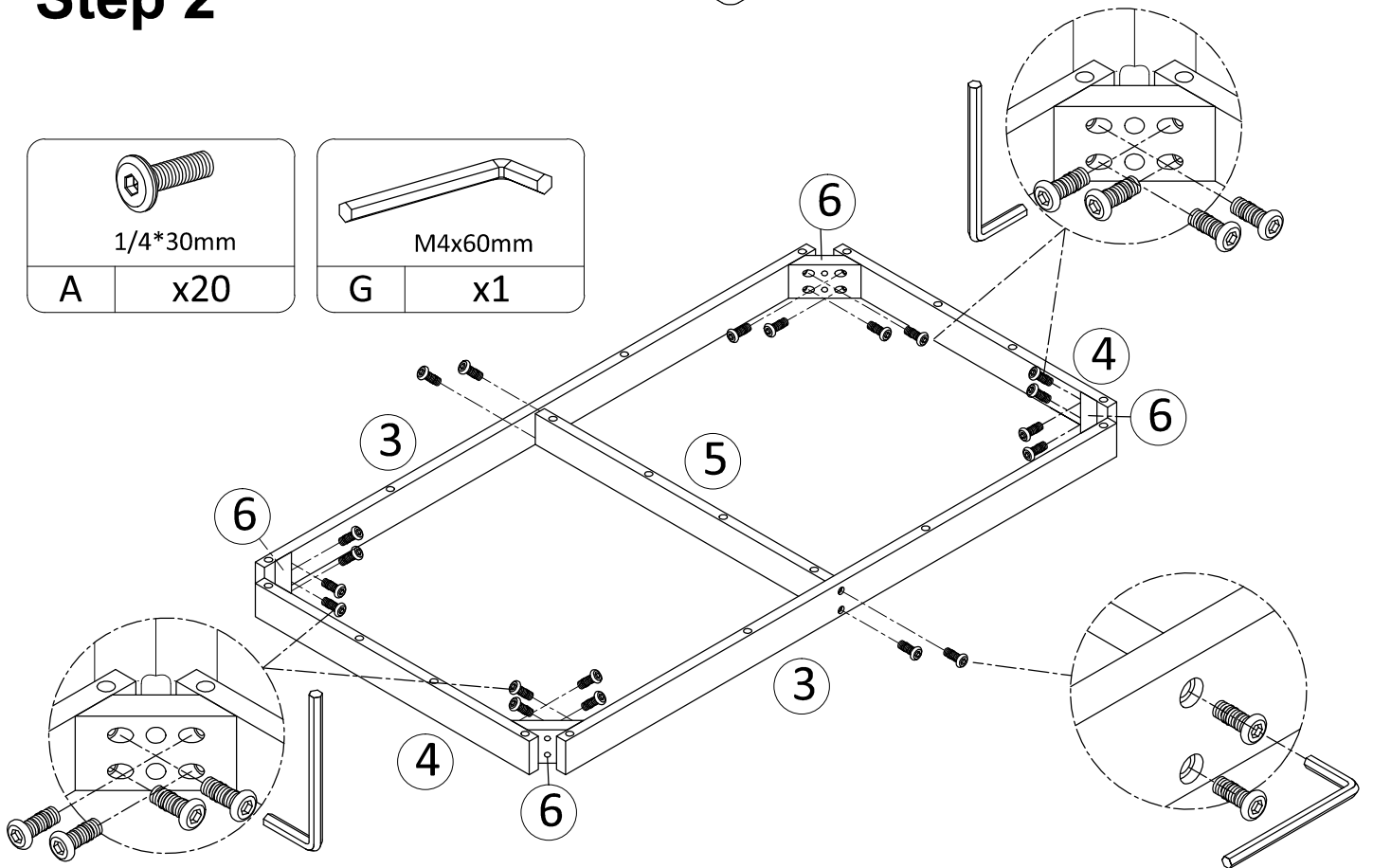
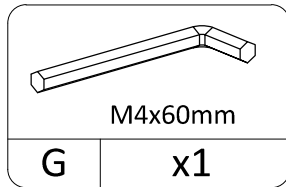
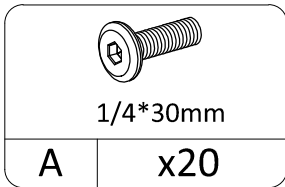
G

x1

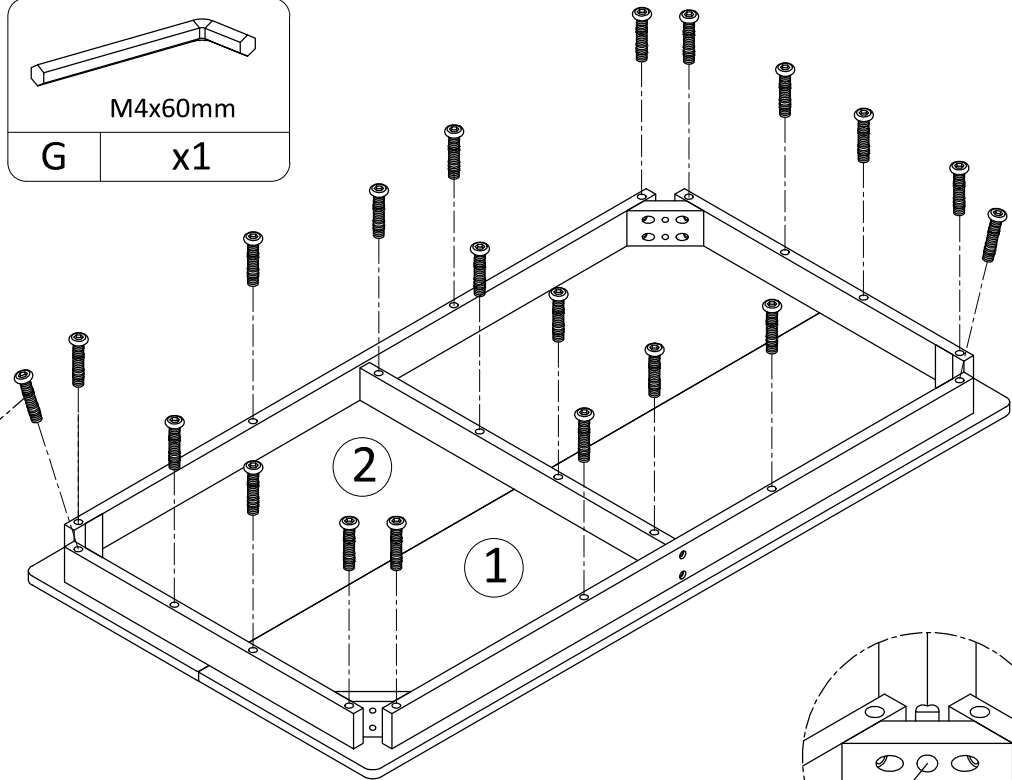
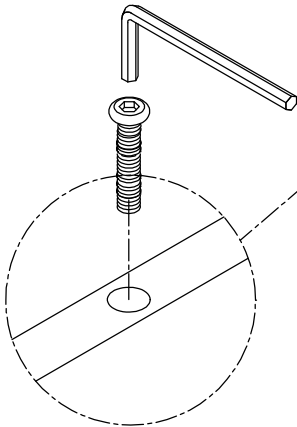
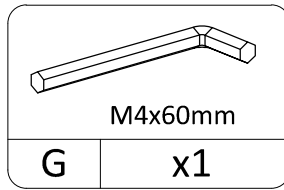
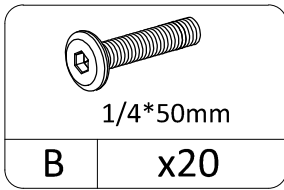
Step 1



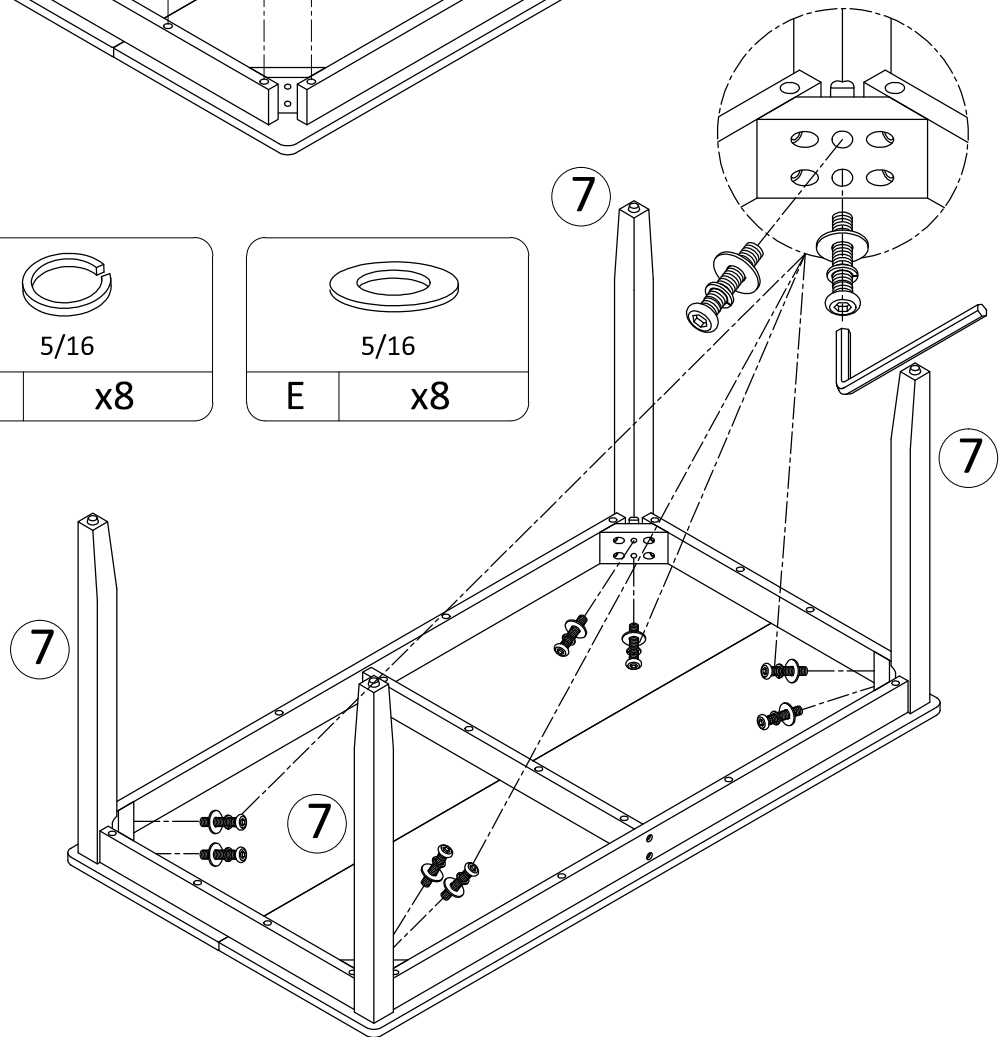
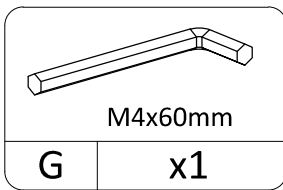
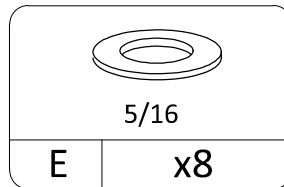
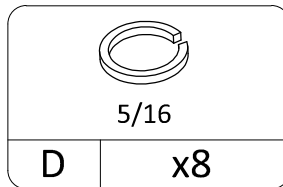
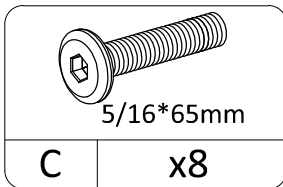
Step 2

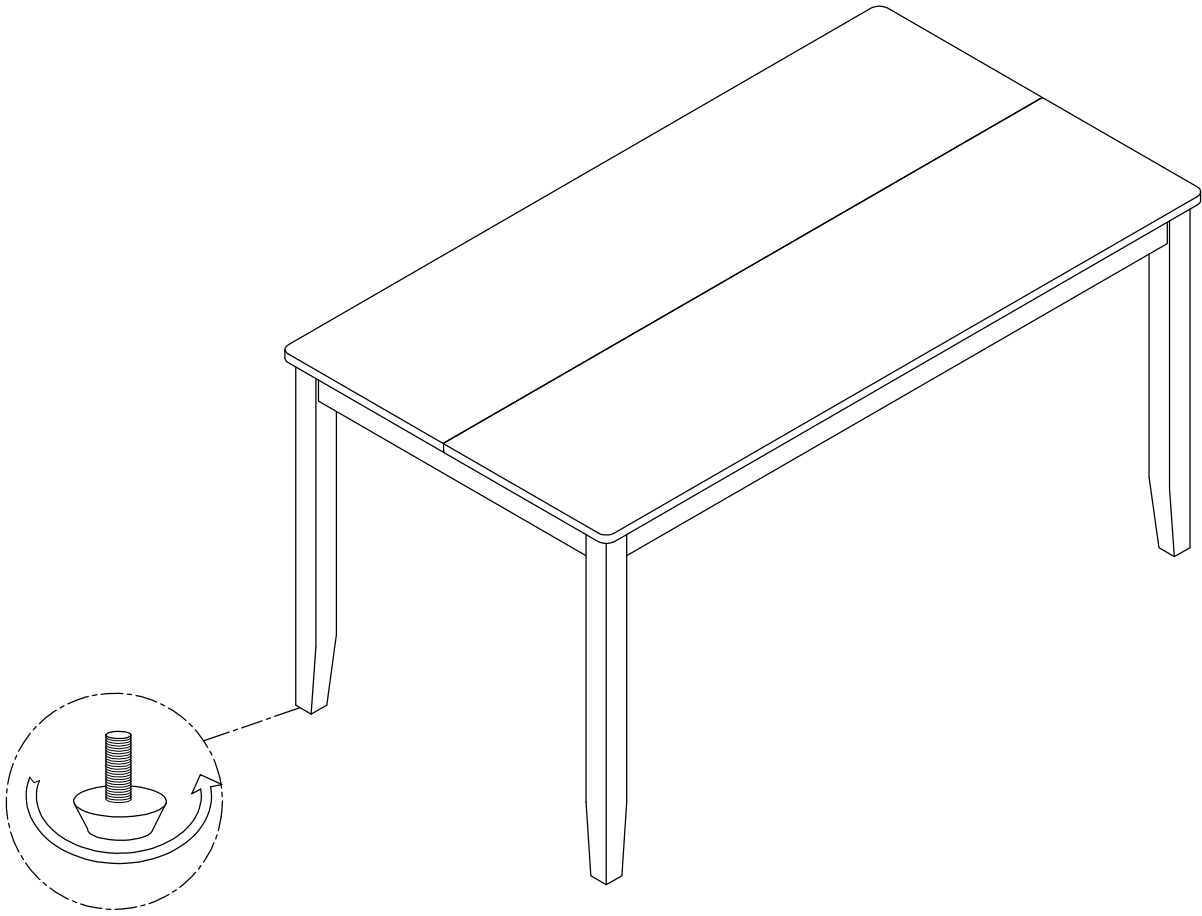


Step 3

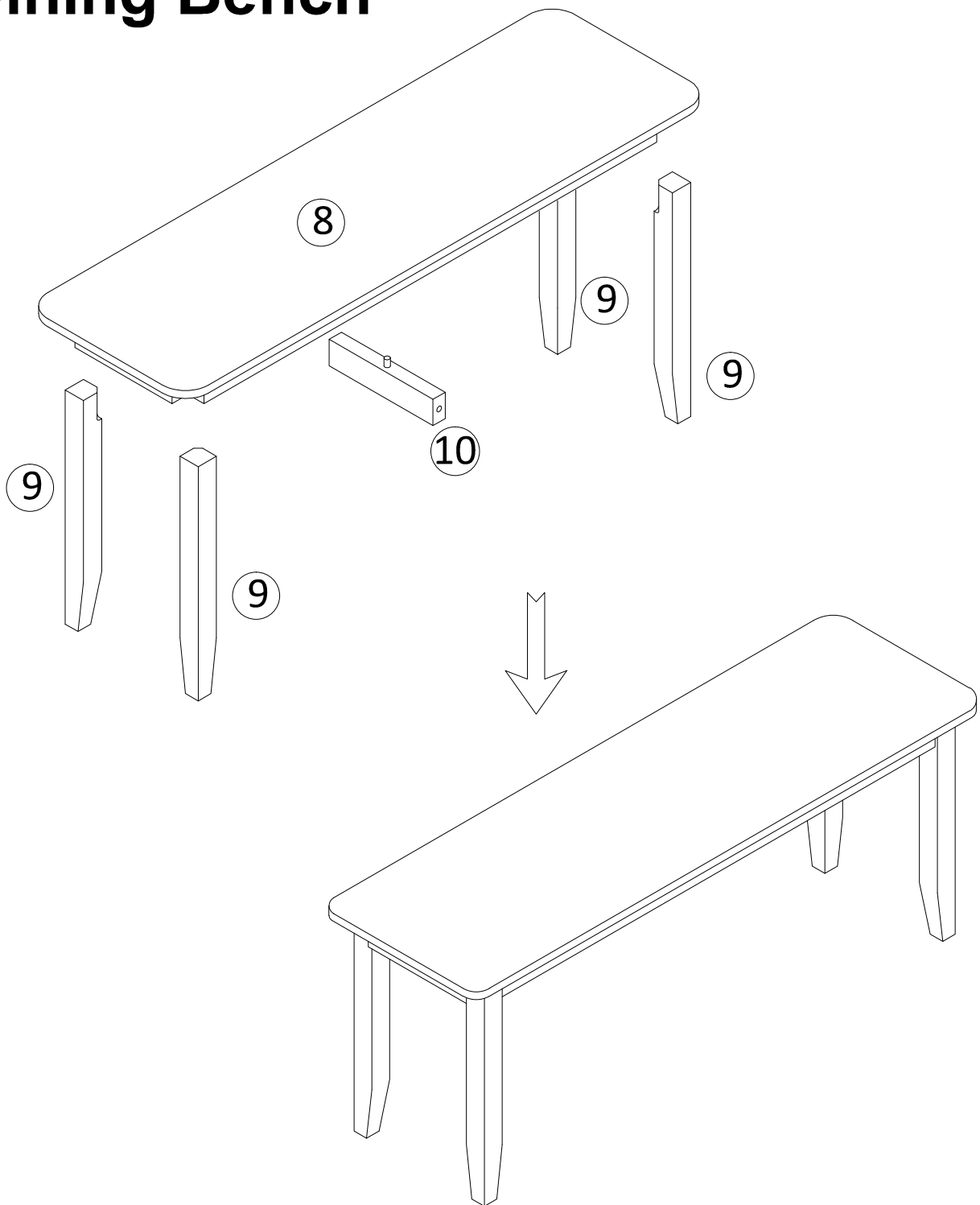


Step 4



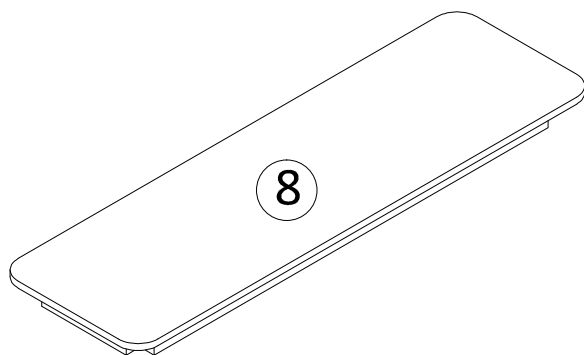


Dining Bench



Board Identification

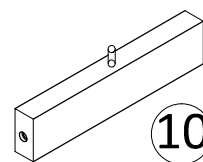
Not actual size



Seat frame x1

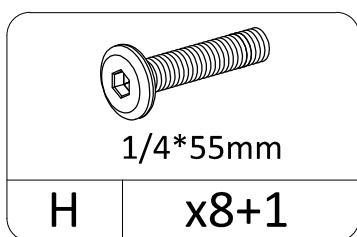


Legs x4



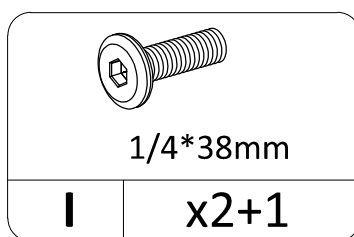
Middle support bar x1

Hardware List for Dining Bench



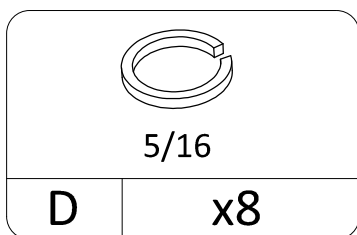
H

x8+1



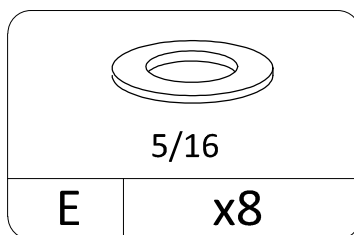
I

x2+1



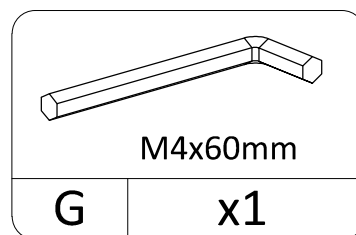
D

x8



E

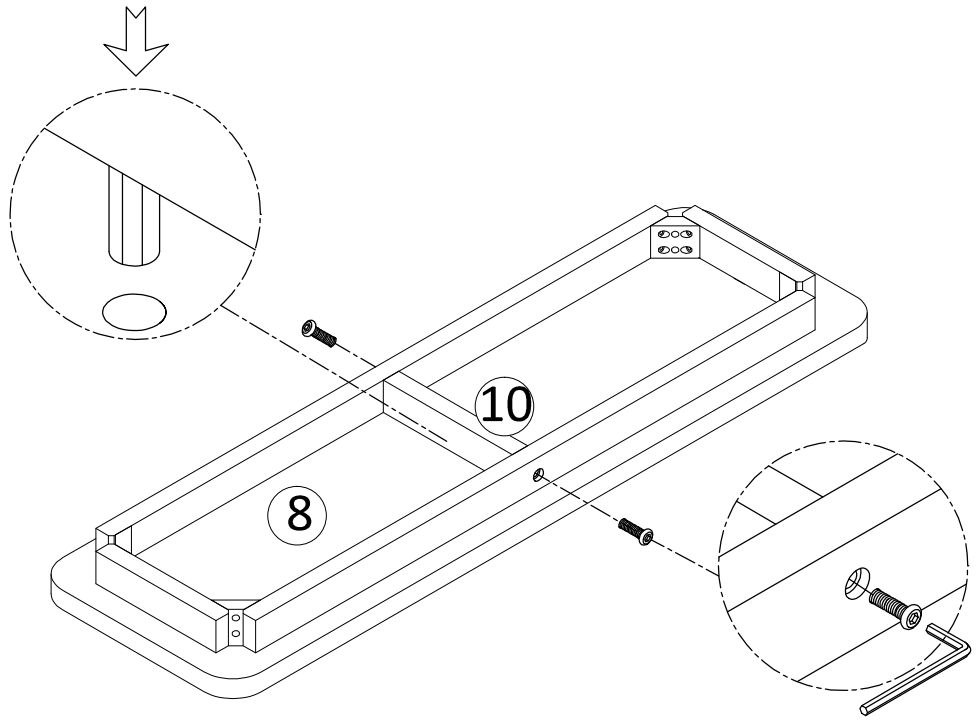
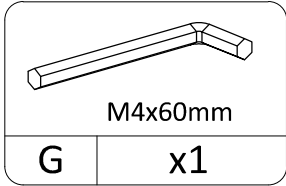
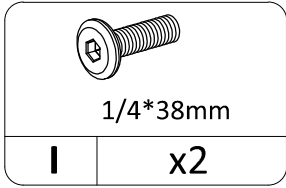
x8



G

x1

Step 1



Step 2

