

**BLIND CORNER PULL OUT BASKET
ORGANIZER**

Thanks for purchasing one of our products, please read carefully the assembly instructions before the installation.



NEED HELP? CONTACT US!

Have product questions? Need technical support? Please feel free to contact us:

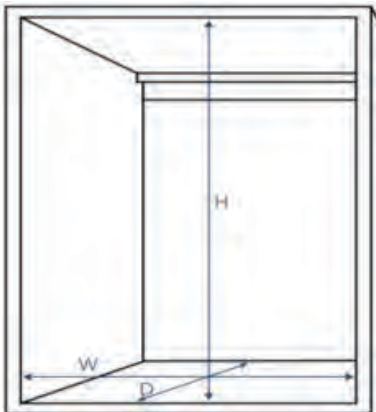
This is the original instruction, please read all manual instructions carefully before operating. We reserve a clear interpretation of our user manual. The appearance of the product shall be subject to the product you received. Please forgive us that we won't inform you again if there are any technology or software updates on our product.

PRODUCT PARAMETERS

Product Size	Loading Capacity	Installation size(mm)W*D*H	Installation mode
33.8"x21"x22" (860x 535x560 mm)	50 lbs(Max) (single layer 25 lbs)	≥ 870x540x600	Left mounting or right mounting

ASSEMBLY PRECAUTIONS

1. Assemble needs to follow these instructions. Incorrect assembly can be a hazard.
2. Wear safety goggles and heavy-duty work gloves during assembly.
3. Do not assemble when tired or when under the influence of alcohol, drugs or medication.
4. Weight capacity and other product capabilities apply to a properly and completely assembled product only.
5. Keep the assembly area clean and well-lit.
6. Keep bystanders out of the area during assembly.
7. **Check the installation size of the corresponding model of the pull basket, and select the cabinet consistent with or close to the installation size for installation.**



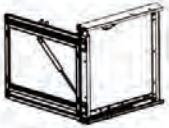


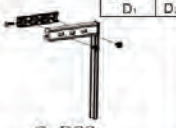








USE PRECAUTIONS



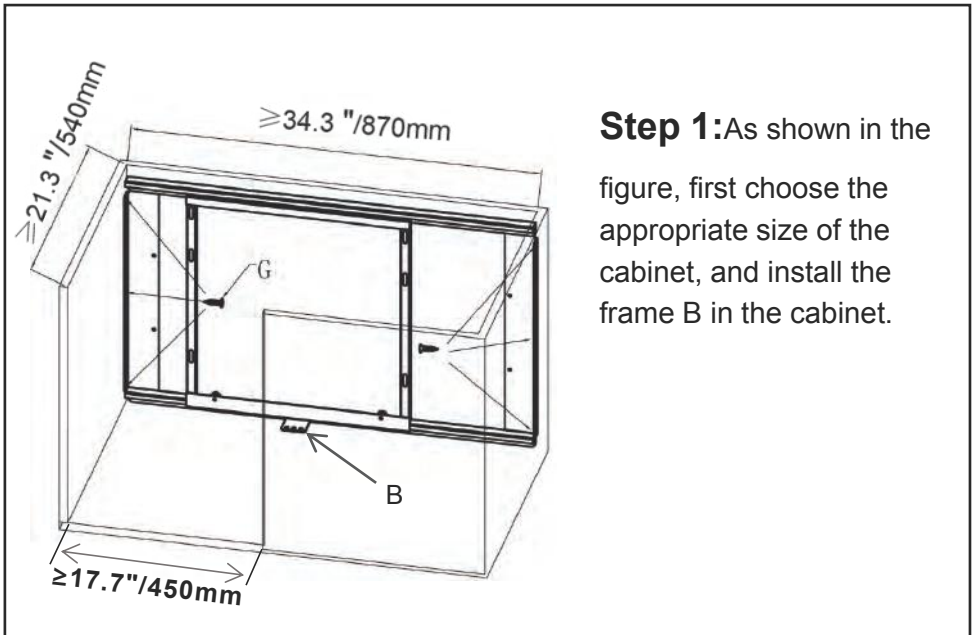
WARNING: TO PREVENT SERIOUS INJURY AND DEATH FROM TIPPING:

1. This product is not a toy. Do not allow children to play with or approach this item.
2. Use as intended only. Do not sit or stand on the product.
3. Inspect before every use. Do not use it if parts are loose or damaged.
4. Use on Kitchen cabinet only and Do not use it alone on the ground or on the desktop.
5. Do not exceed the listed weight capacity. Tighten all knobs securely before applying load. Be aware of dynamic loading! The sudden load movement may briefly create an excess load, causing product failure.

PARTS LIST

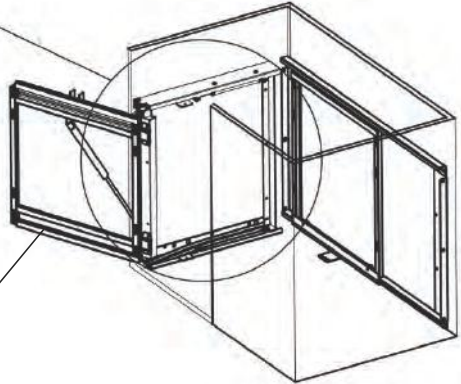
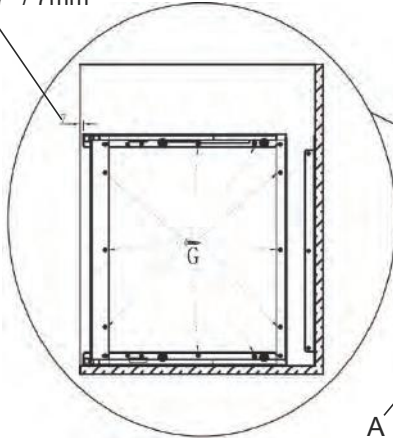
 Ⓐ 1 PC	 Ⓑ 1 PC	 Ⓒ 1 PC	 Ⓓ 2 PCS
 Ⓔ 2 PCS	 Ⓕ 2 PCS	 Ⓖ 38 PCS	 Ⓗ 2 PCS
 Ⓘ 1 PC	 Ⓙ 1 PC	 Ⓚ 2 PCS	 Ⓛ 2 PCS

ASSEMBLY STEPS



Step 2: Install side frame A with screw G, noting the distance between side frame and cabinet edge.

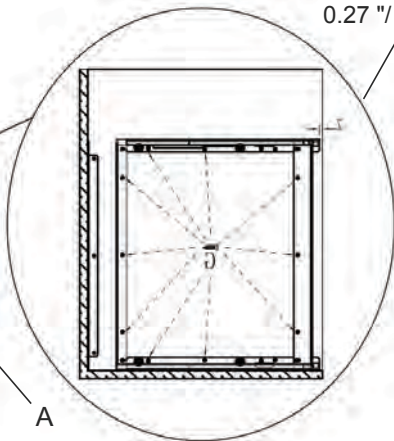
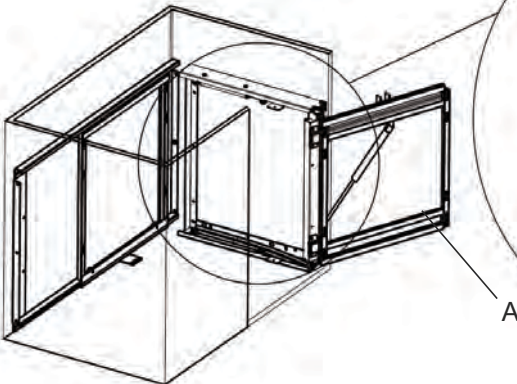
0.27" / 7mm



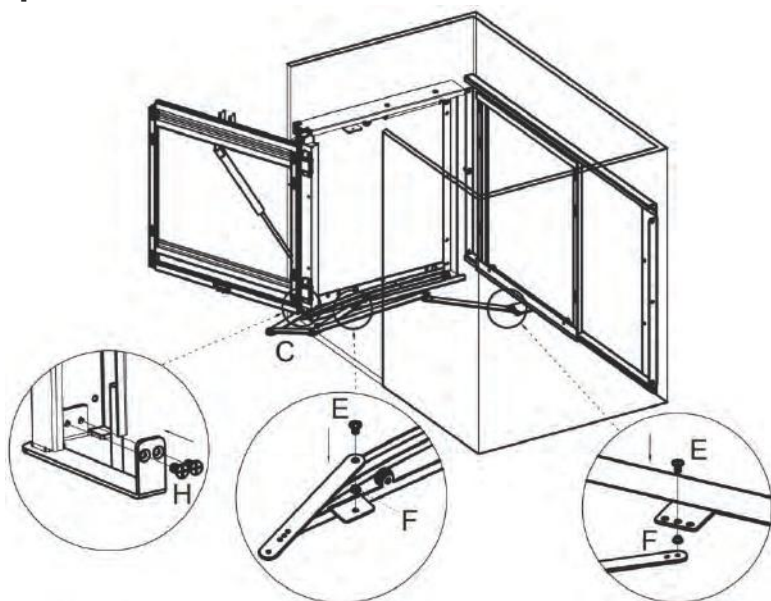
Install on the left

Install on the right

0.27" / 7mm

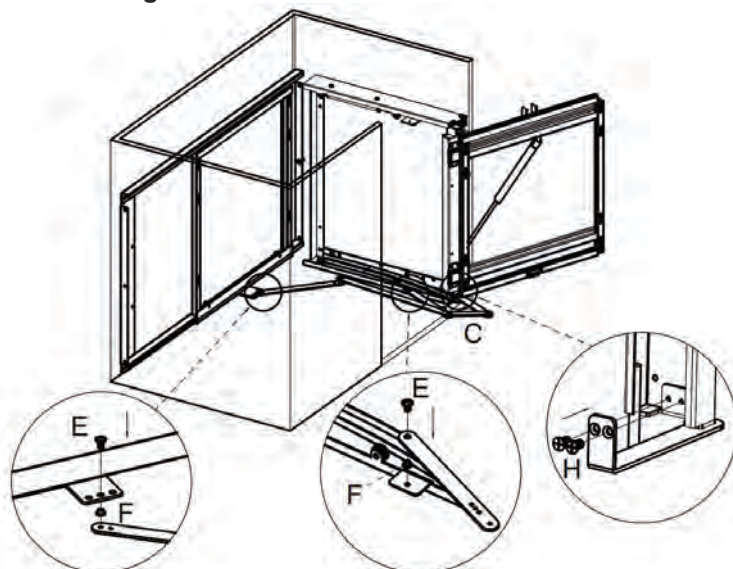


Step 3: Attach link C to the frame

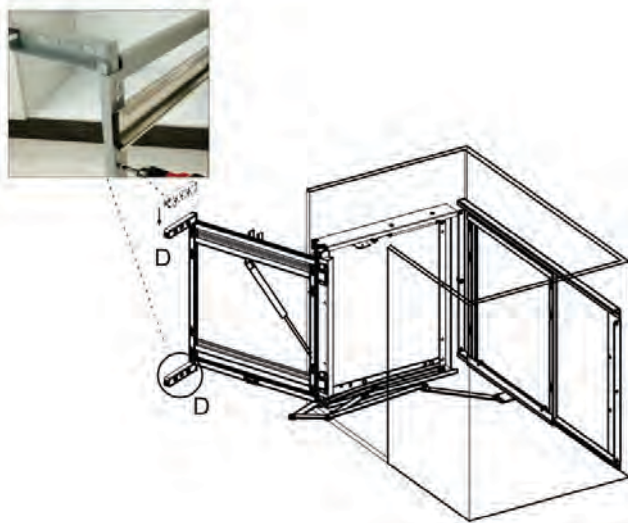


Install on the left

Install on the right

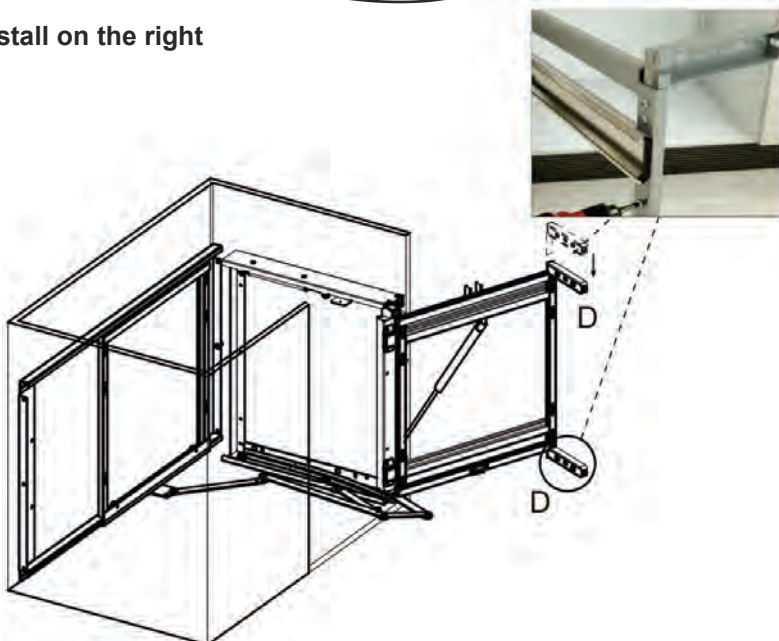


Step 4: Install the connecting blocks for the upper and lower door panels D, as shown in the figure.

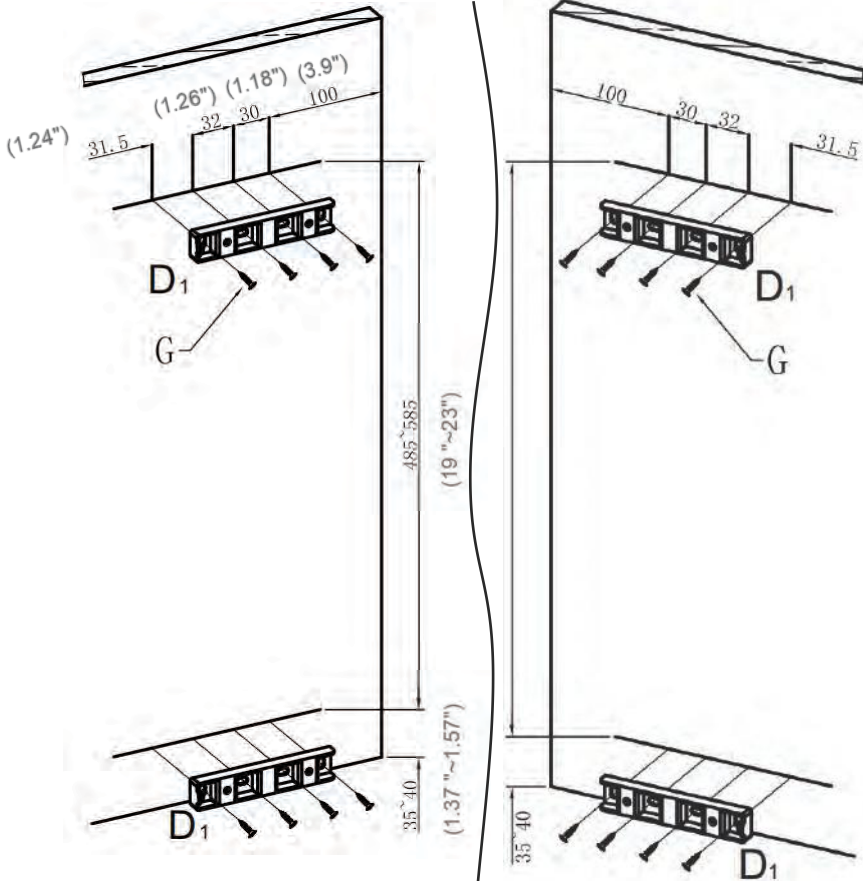


Install on the left

Install on the right



Step 5: Mark the door panels according to the following figure, and install the door panel connector D1

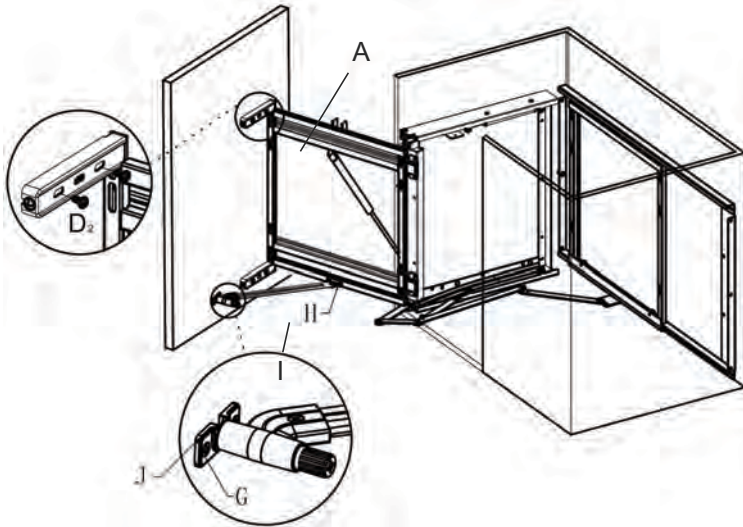


Install on the right

Install on the left

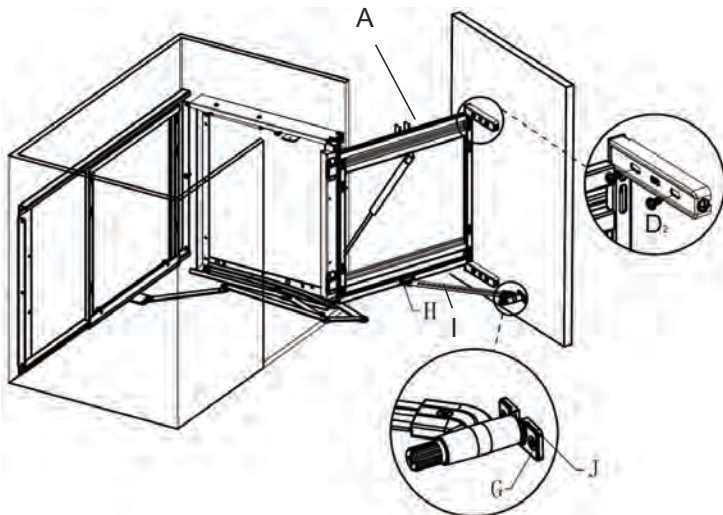
Step 5:

- 1) Install the door panel on the side frame using screws D2.
- 2) Install the door panel adjusting rod I and positioning block on the side frame and door panel using screws H and G, respectively.

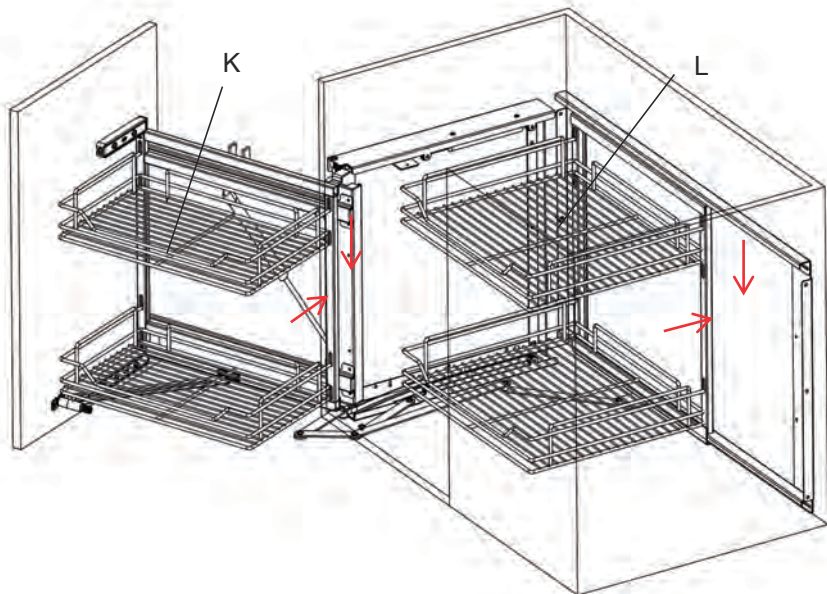


Install on the right

Install on the left

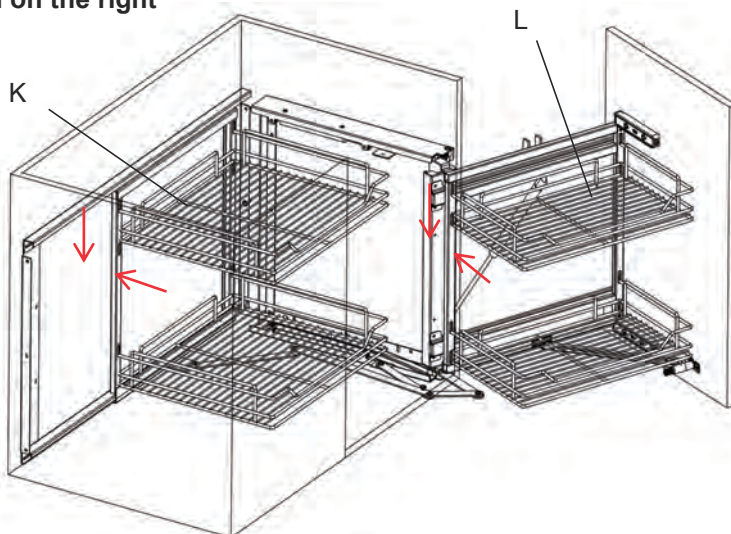


As shown in the figure, the hanging basket K and hanging basket L are installed on the side frame and the bottom frame respectively



Install on the left

Install on the right



Actual assembly effect drawing (Install on the right)



Cleaning

-For cleaning, wipe the surface with a damp (not wet) cloth or wipe dry with a clean lint free cotton cloth.

-Window cleaning liquid or a similar cleaning liquid can be used to clean the surface.