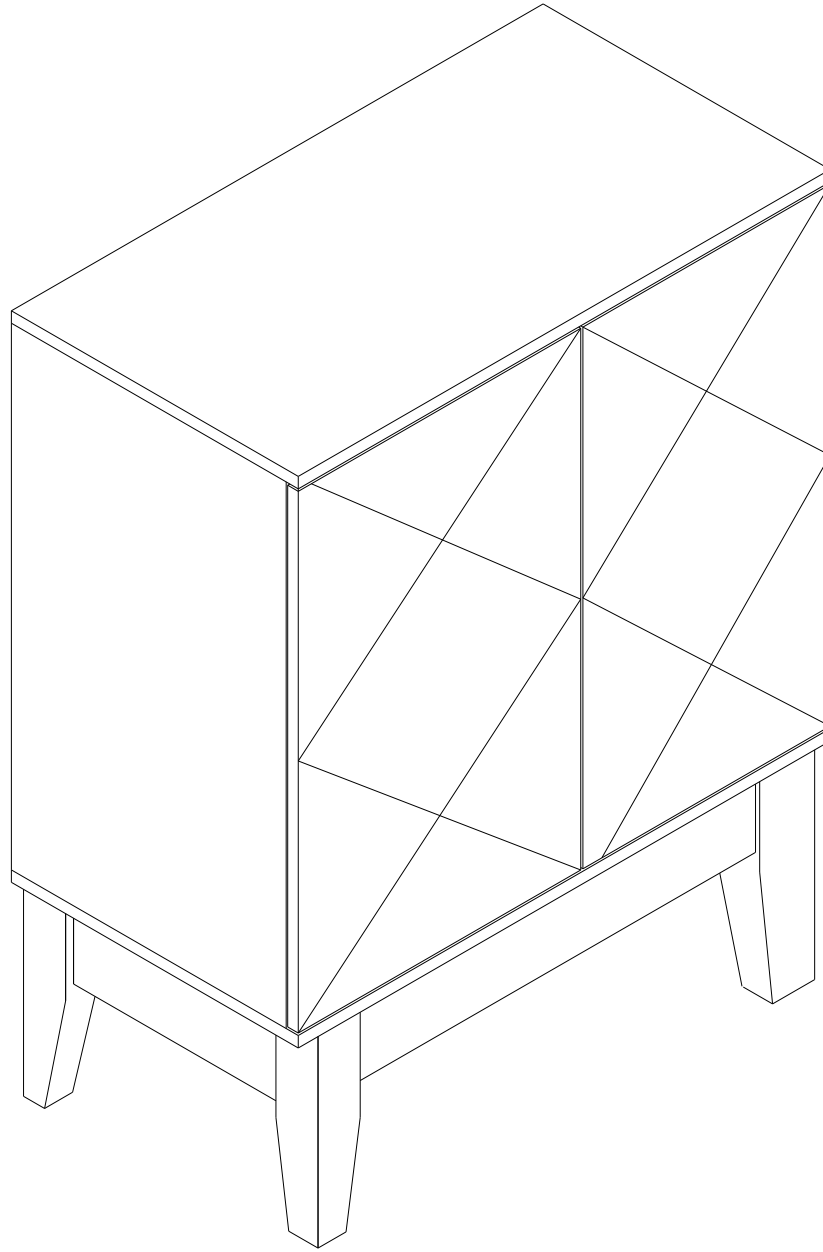


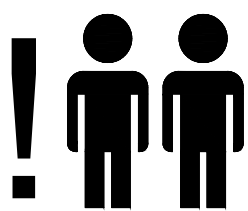
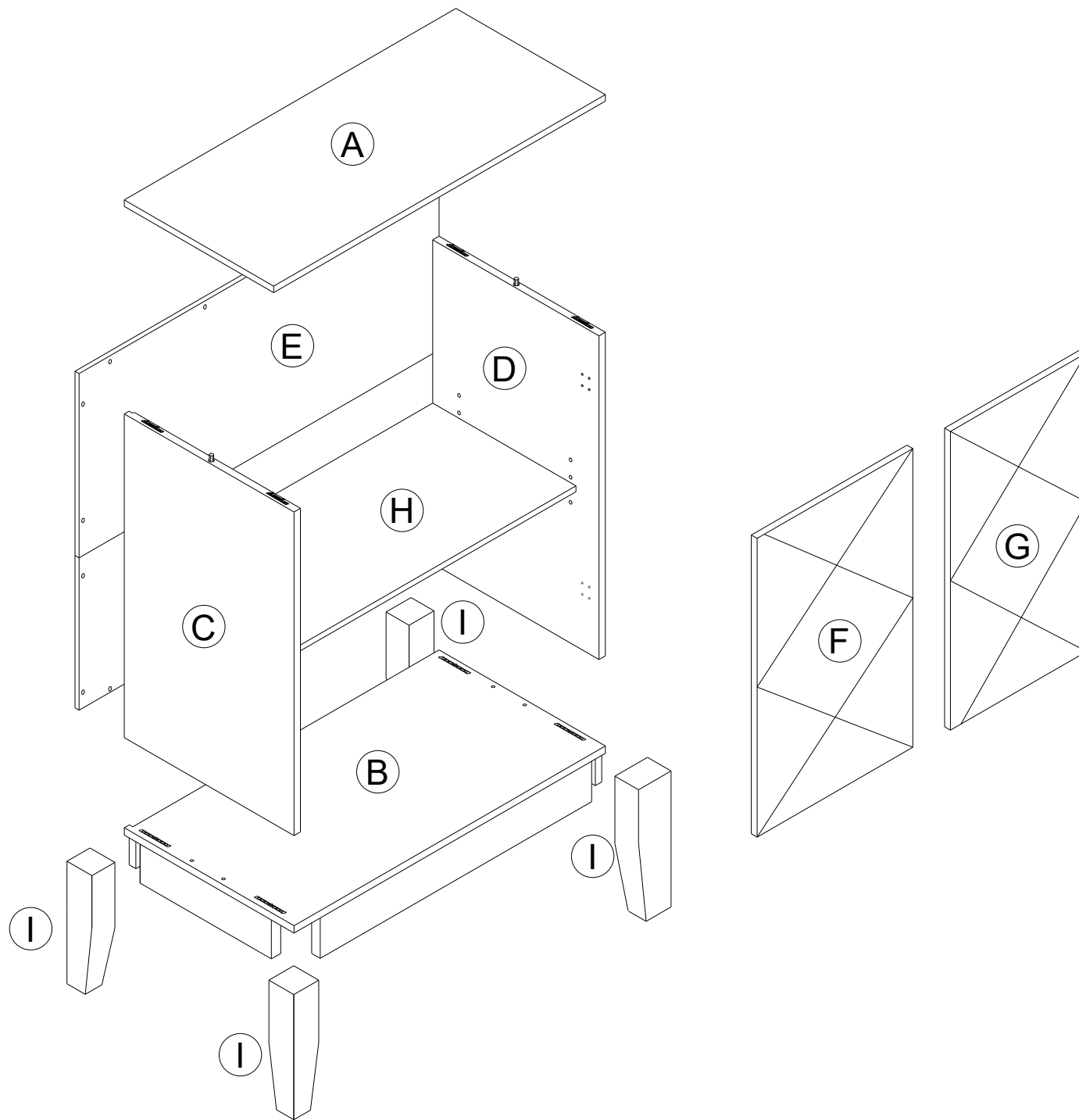
Owner Manual



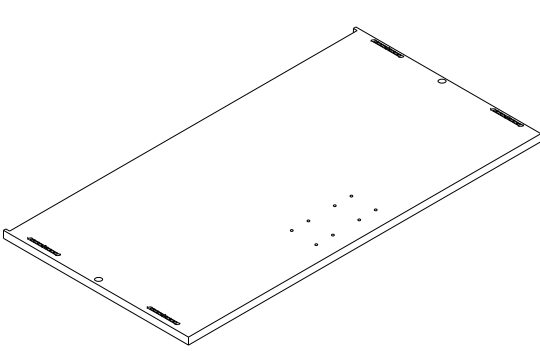
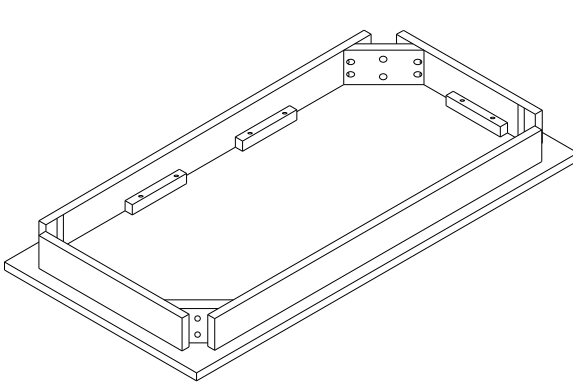
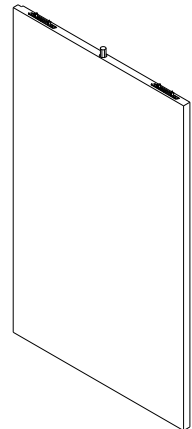
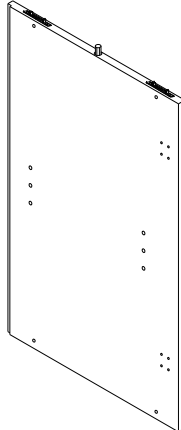
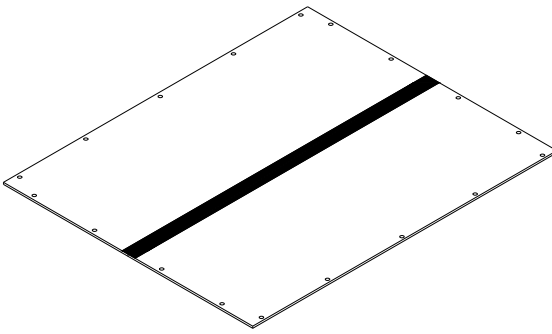
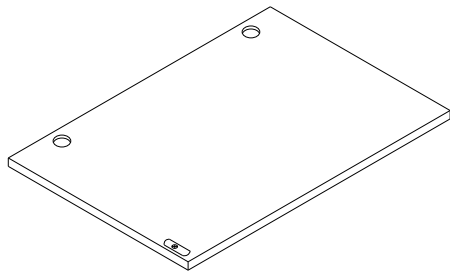
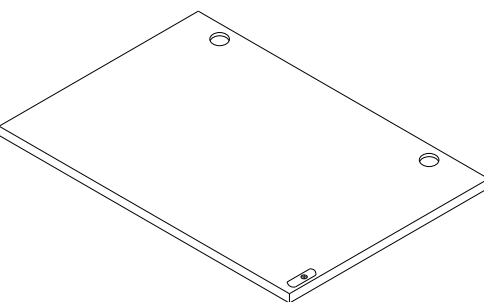
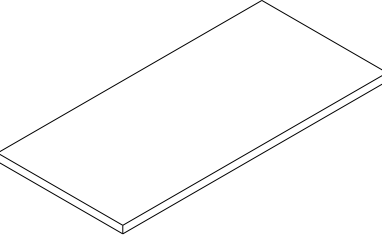
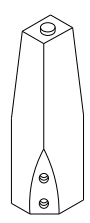
Thank you for purchasing the two door cabinet.

Please read the instructions and warnings carefully before use, to ensure safe and satisfactory operation of this product. We are committed to making great products possible. From our in-house Design Team, to our Buyers, we work together to bring great designs to life. Our expert Product Technologists work collaboratively with our buyers and suppliers to assure the legality, safety and quality of the product we sell. We are all committed to designing and developing products to the highest industry standards. We hope you are happy with your product and welcome any feedback or comments you may have.

Exploded Diagram



PARTS LIST

<p>A x1</p>  <p>Top Panel</p>	<p>B x1</p>  <p>Bottom Panel</p>	<p>C x1</p>  <p>Left Side Panel</p>
<p>D x1</p>  <p>Right Side Panel</p>	<p>E x1</p>  <p>Back Panel</p>	<p>F x1</p>  <p>Left Door</p>
<p>G x1</p>  <p>Right Door</p>	<p>H x1</p>  <p>Shelf Panel</p>	<p>I x4</p>  <p>Leg</p>

HARDWARE LIST

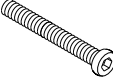


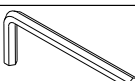
1	x8	2	x8	3	x8	4	x1
Bolt Ø1/4"x 2"		Spring Washer		Flat Washer		Allen Wrench	
5	x2	6	x26	7	x24	8	x1
Door Stop		Screw Ø3*15MM		Screw Ø3*15MM		Screwdriver	
9	x4	10	x4	11	x2	12	x2
Shelf Support		Hinge		Bracket		Screw Ø4*20mm	
13	x2	14	x2	15	x1		
Anchor		Screw Ø4* 38MM		Tie			

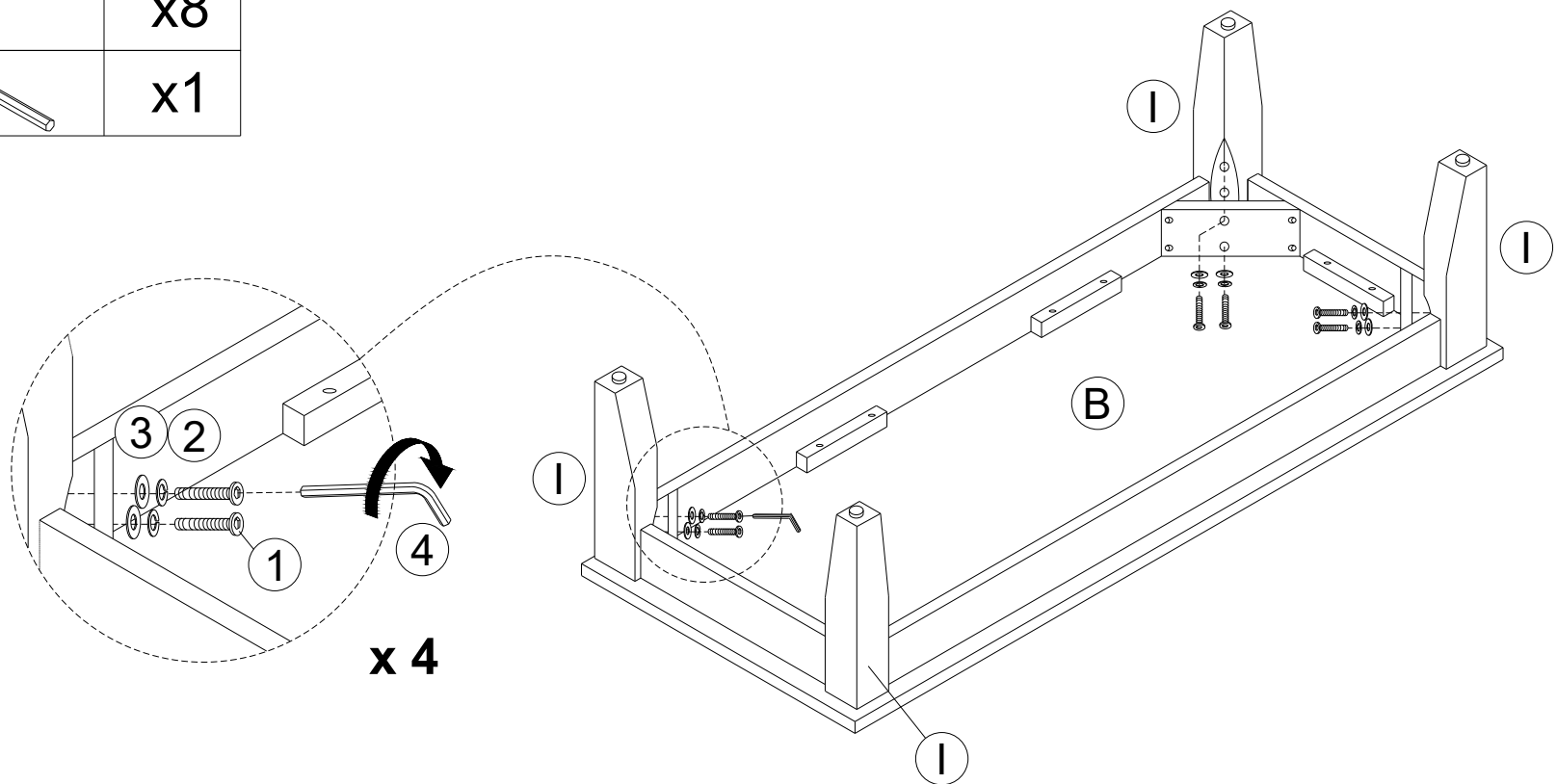
SPARE LIST

6	x2	7	x2		
Screw Ø3*15MM		Screw Ø3*15MM			

Be sure to check all packing material carefully for small parts, which may have come loose inside the carton during shipment.

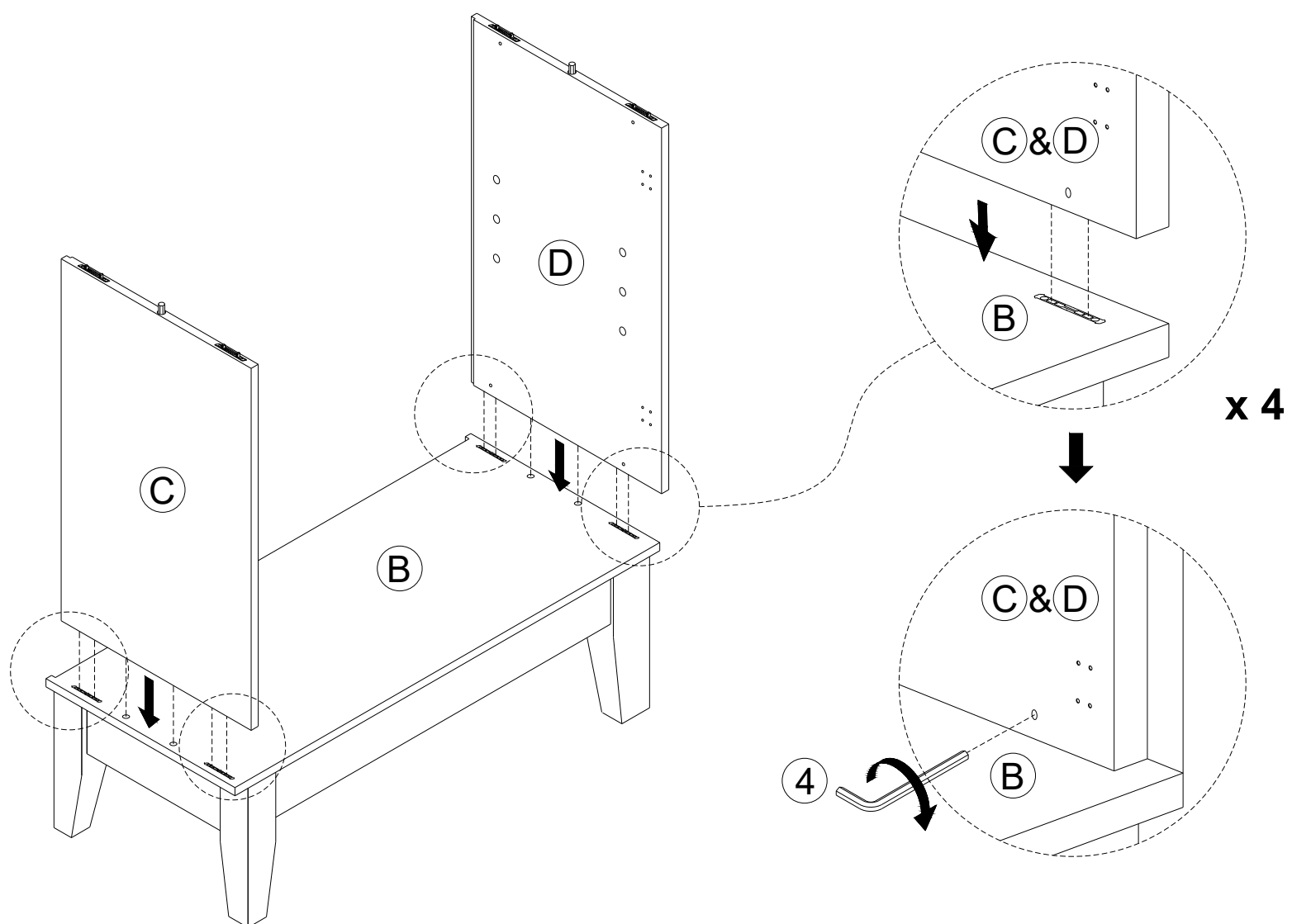
STEP 1

1		x8
2		x8
3		x8
4		x1



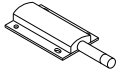
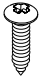
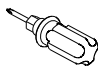
Attach leg (I) to bottom panel(B) with bolt(1) and flat washer(3) and spring washer(2), tight it with Allen wrench(4).

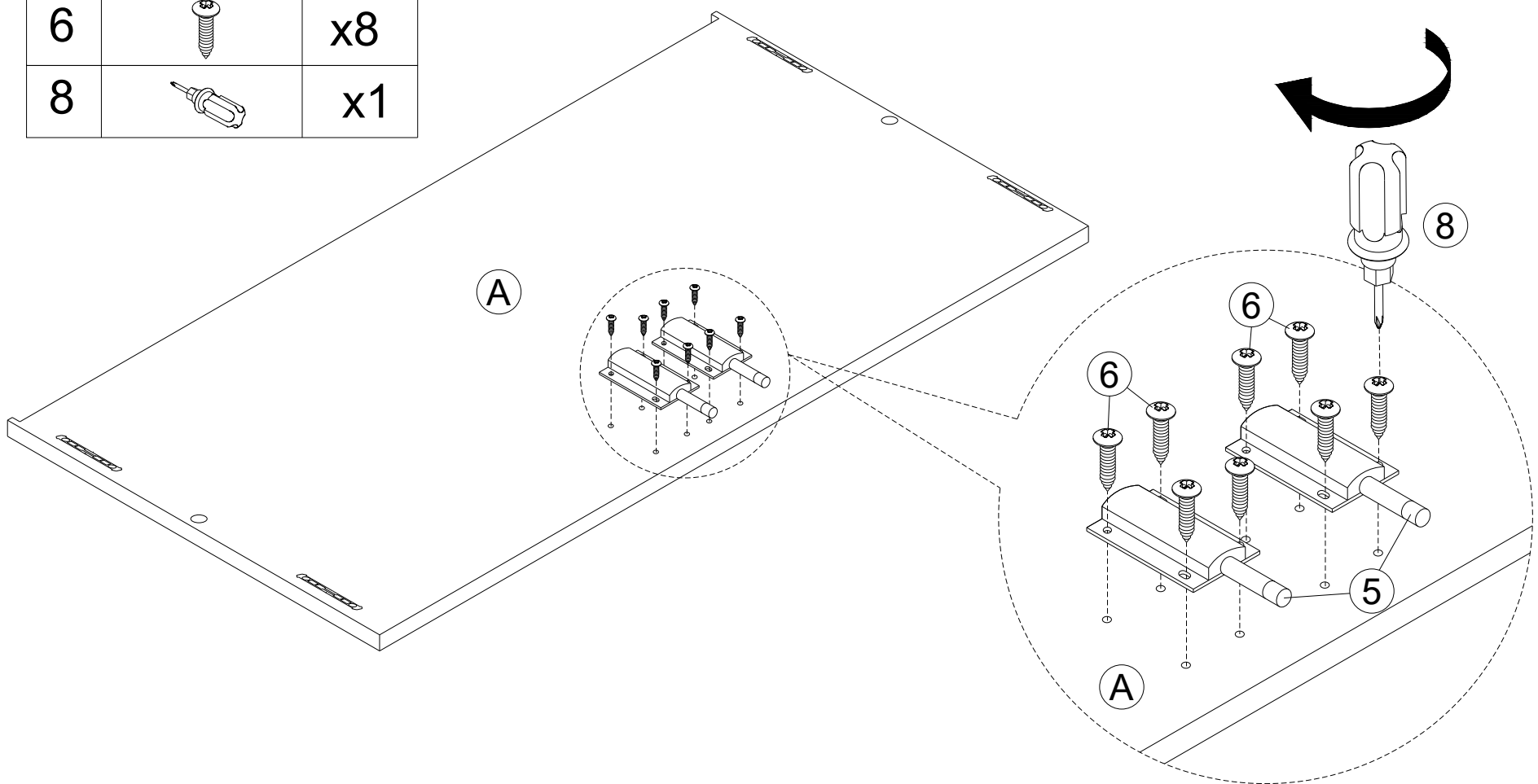
STEP 2



Insert part (C/D) into the corresponding hole of part (B), make sure all holes aligned and tight them with Allen wrench(4).

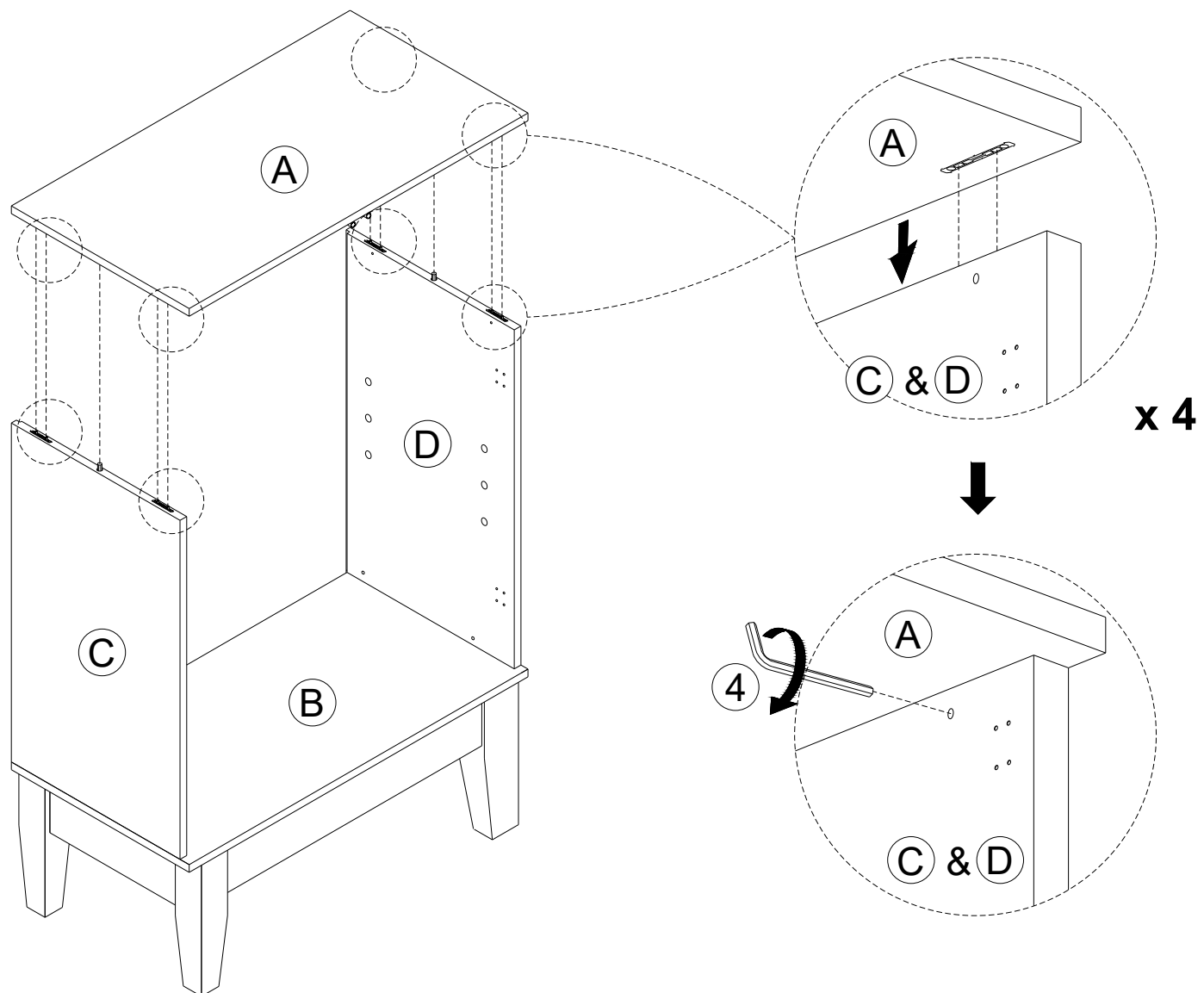
STEP 3

5		x2
6		x8
8		x1




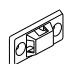
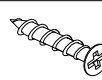
Attach door stop(5) to top panel(A) with screw (6), tight it with screwdriver(8)

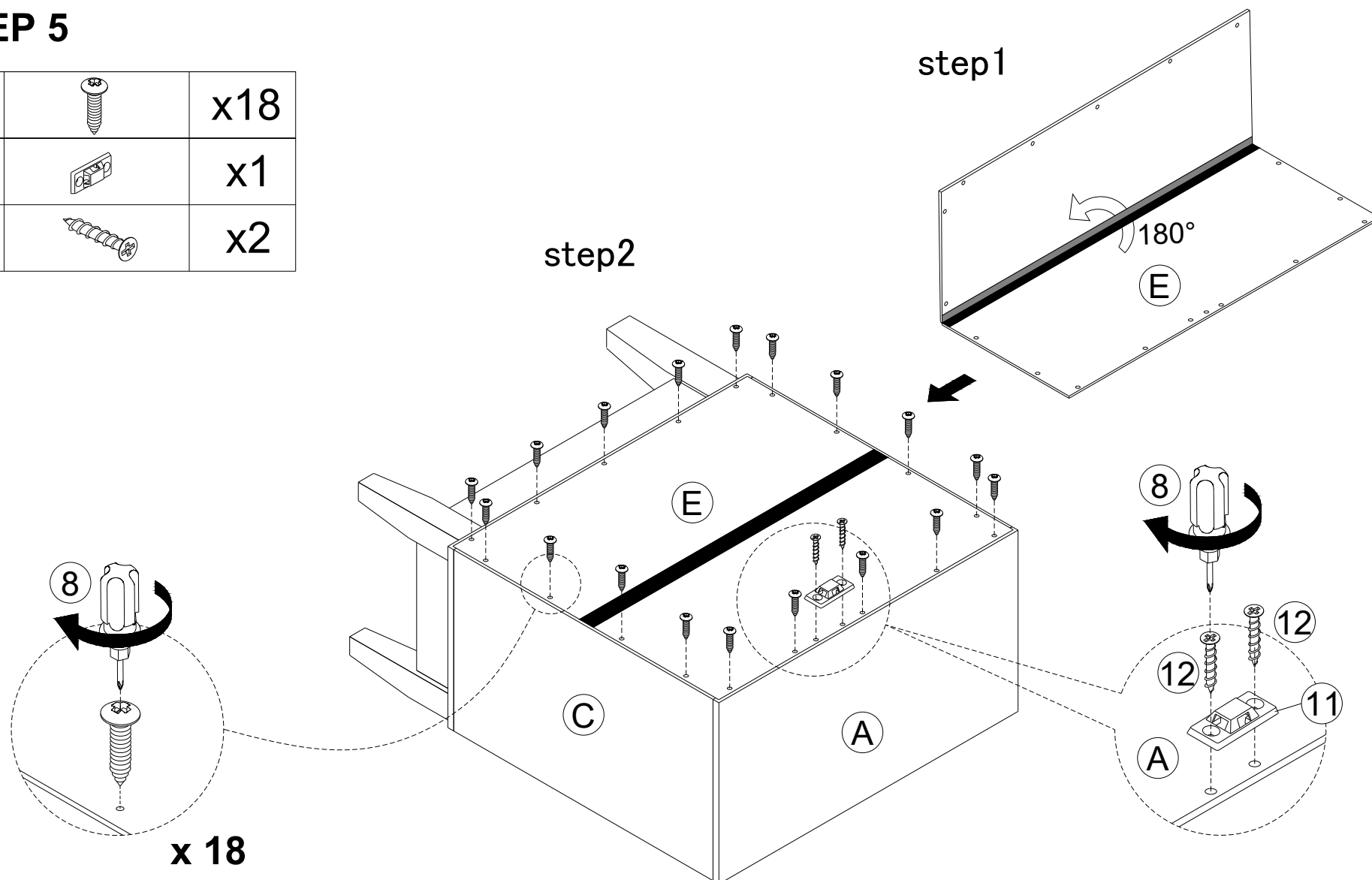
STEP 4



Insert part (A) into the corresponding hole of panel(C/D), make sure all holes aligned and tight them with Allen wrench(4).

STEP 5

6		x18
11		x1
12		x2

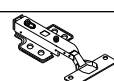
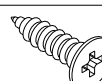


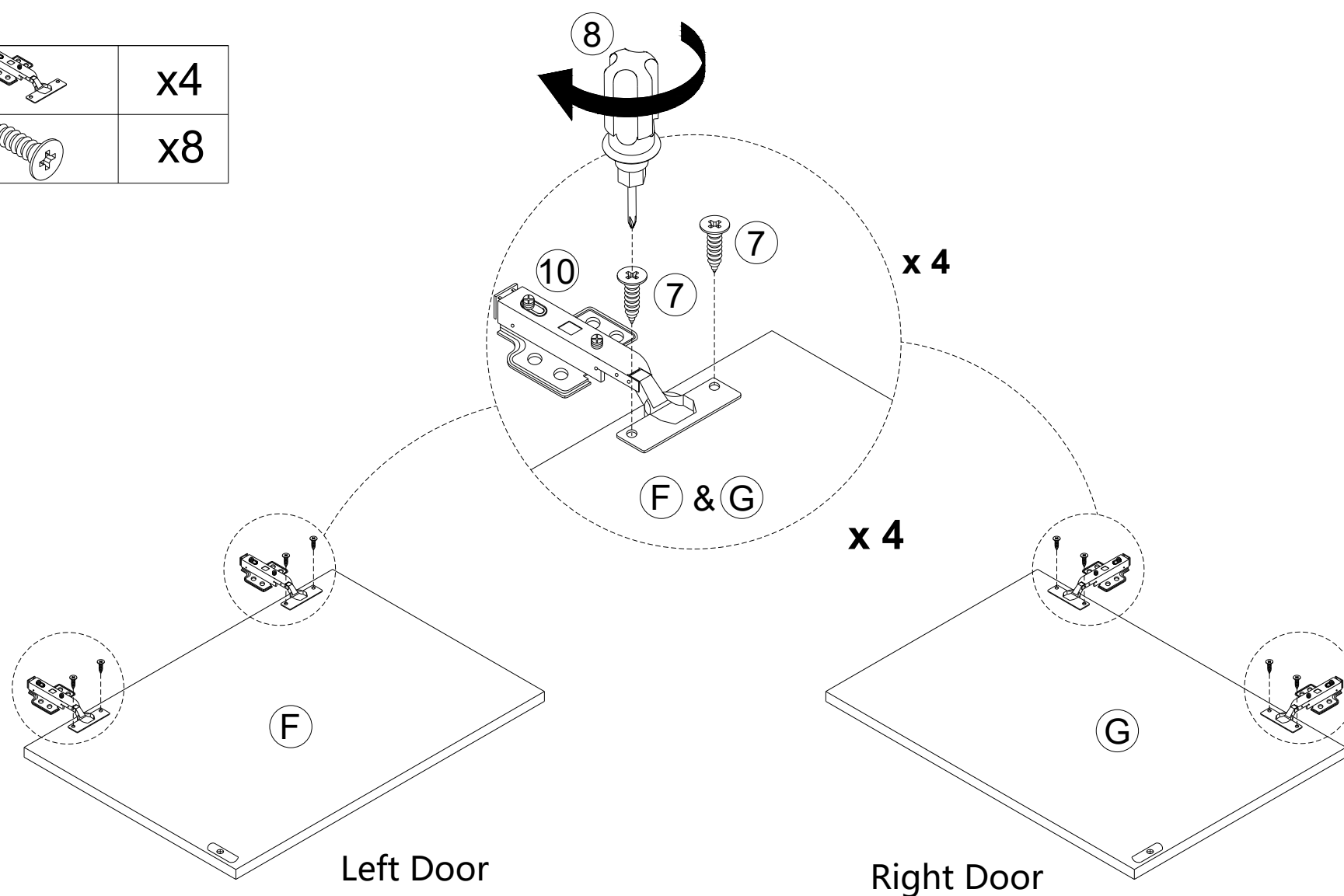
1. Open the back panel (E) as shown.

2. Attach back panel (E) to the unit pre-assembled on step 4 with screw (6), tight it with screwdriver (8).

3. Attach bracket (11) to back panel (E) with screw (12), tight screw with screwdriver (8).

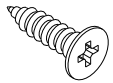
STEP 6

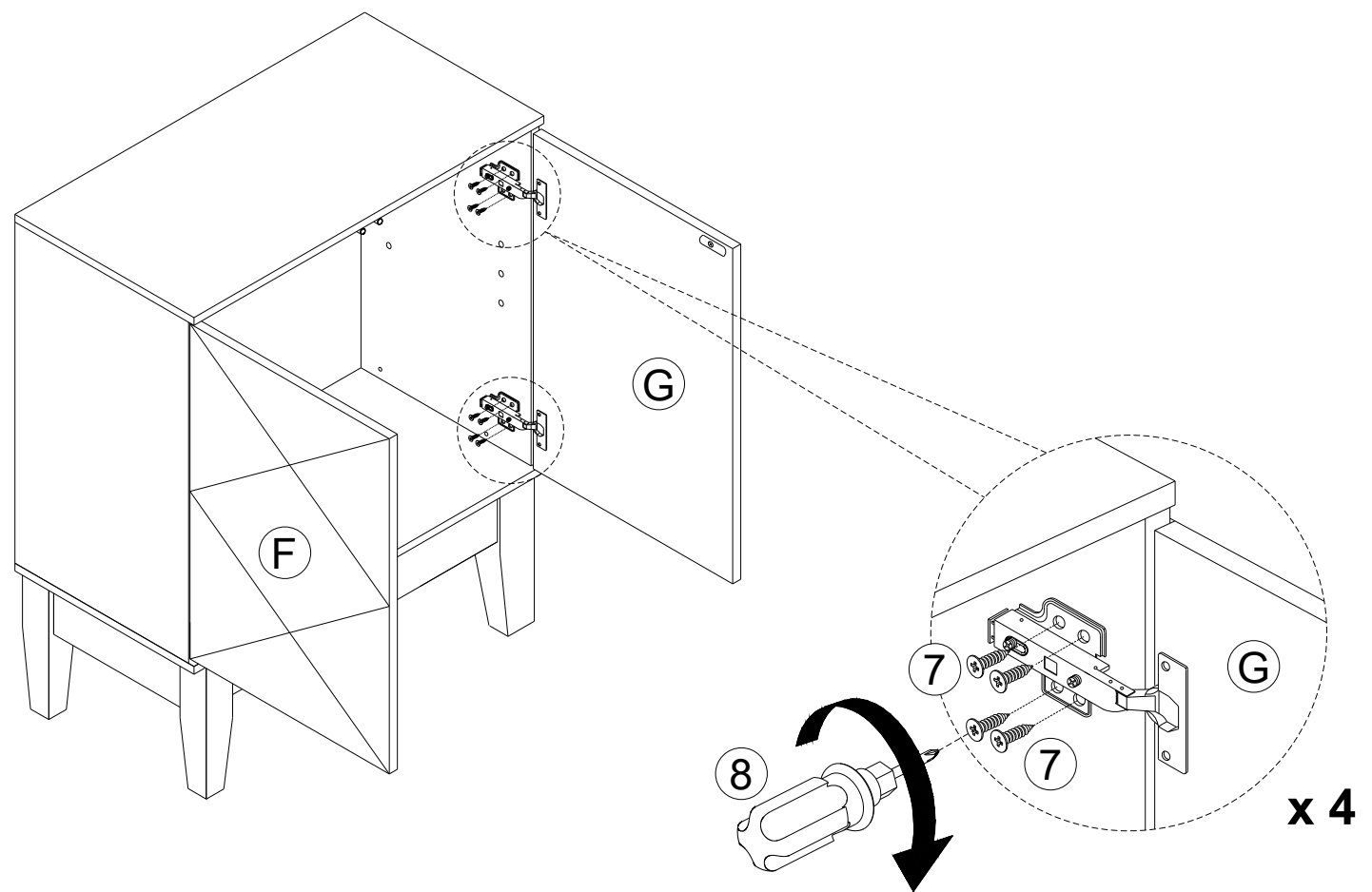
10		x4
7		x8



Attach hinge (10) to door (F/G) with screw (7), tight screw with screwdriver (8)

STEP 7

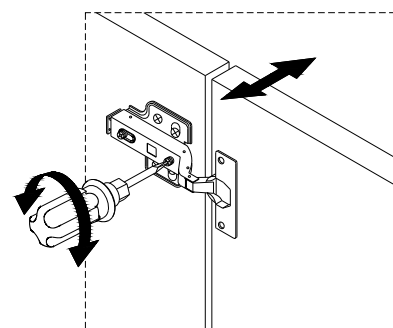
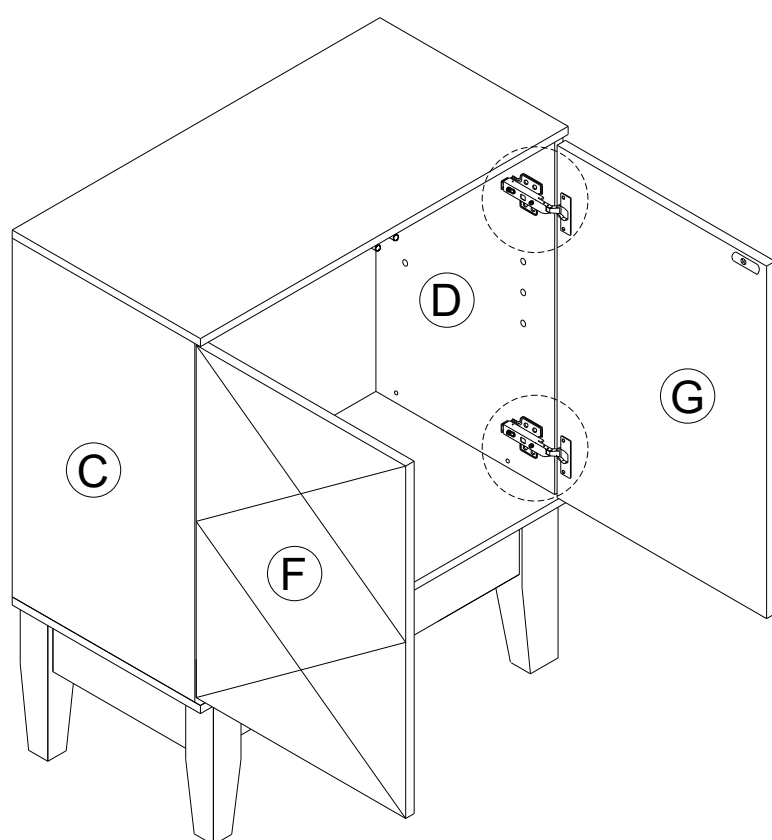
7		x16
---	---	-----



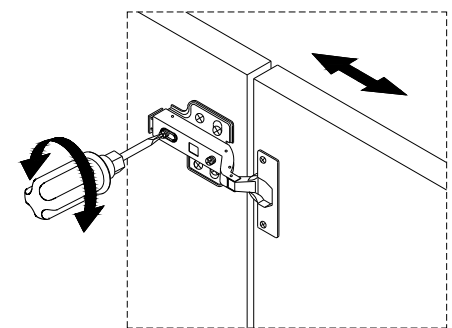
Attach door (F/G) to the unit pre-assembled on step6 with screw (7), tight it with screwdriver(8),

STEP 8

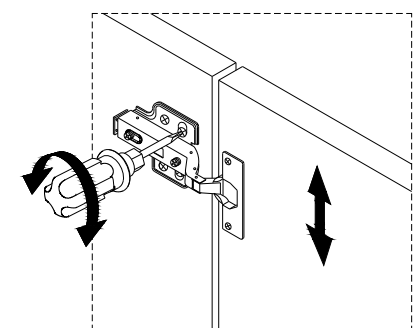
IX: Concealed hinges are three-way adjustable.



1: Horizontal by screw adjustment



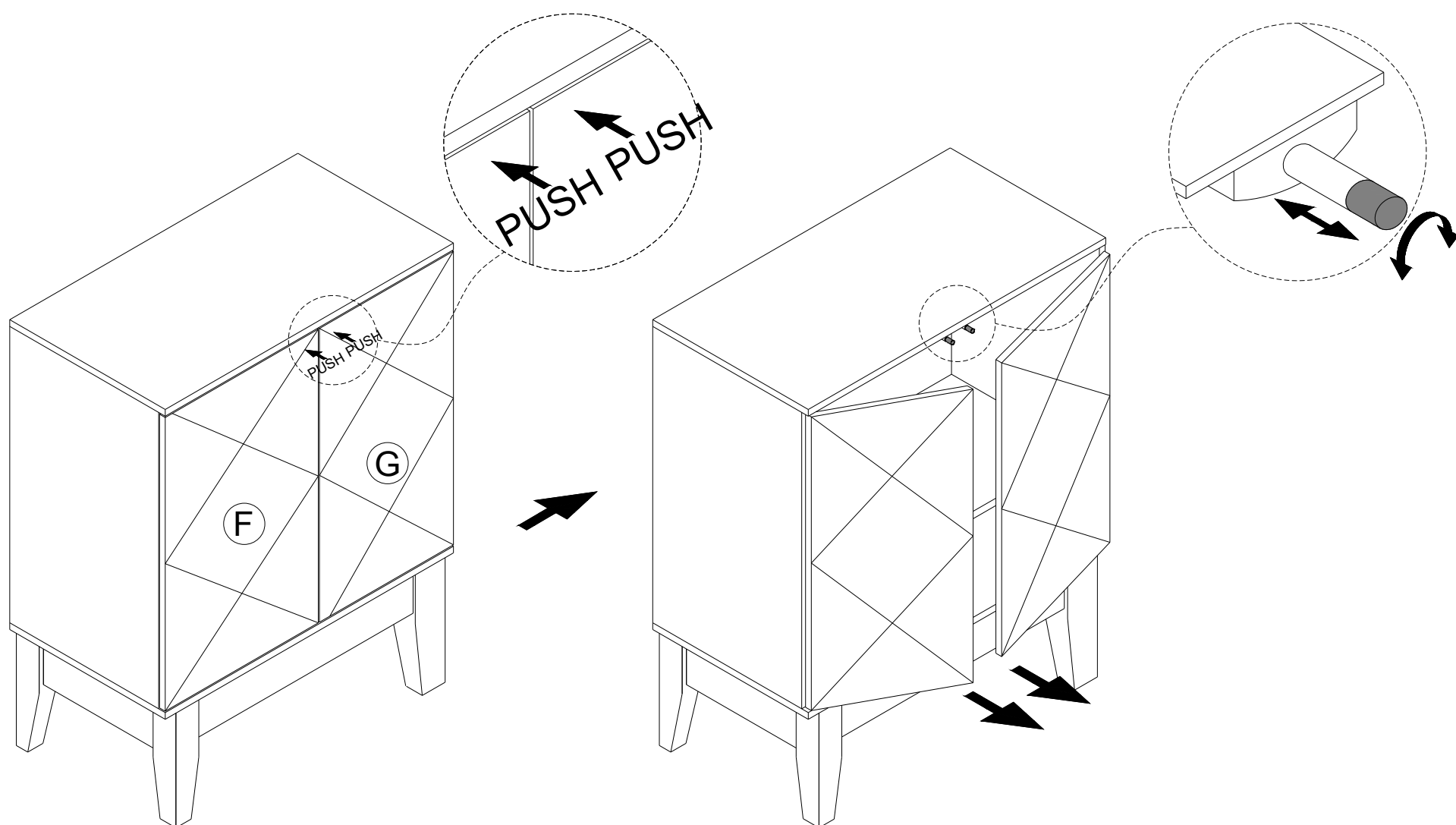
2: In-and-Out by loosening the hinge-arm mounting screw or via cam adjustment



3: Vertical Via slots in the mounting plate or via cam adjustment


Close the door , if the doors are not at the perfect position , please adjust it as shown.

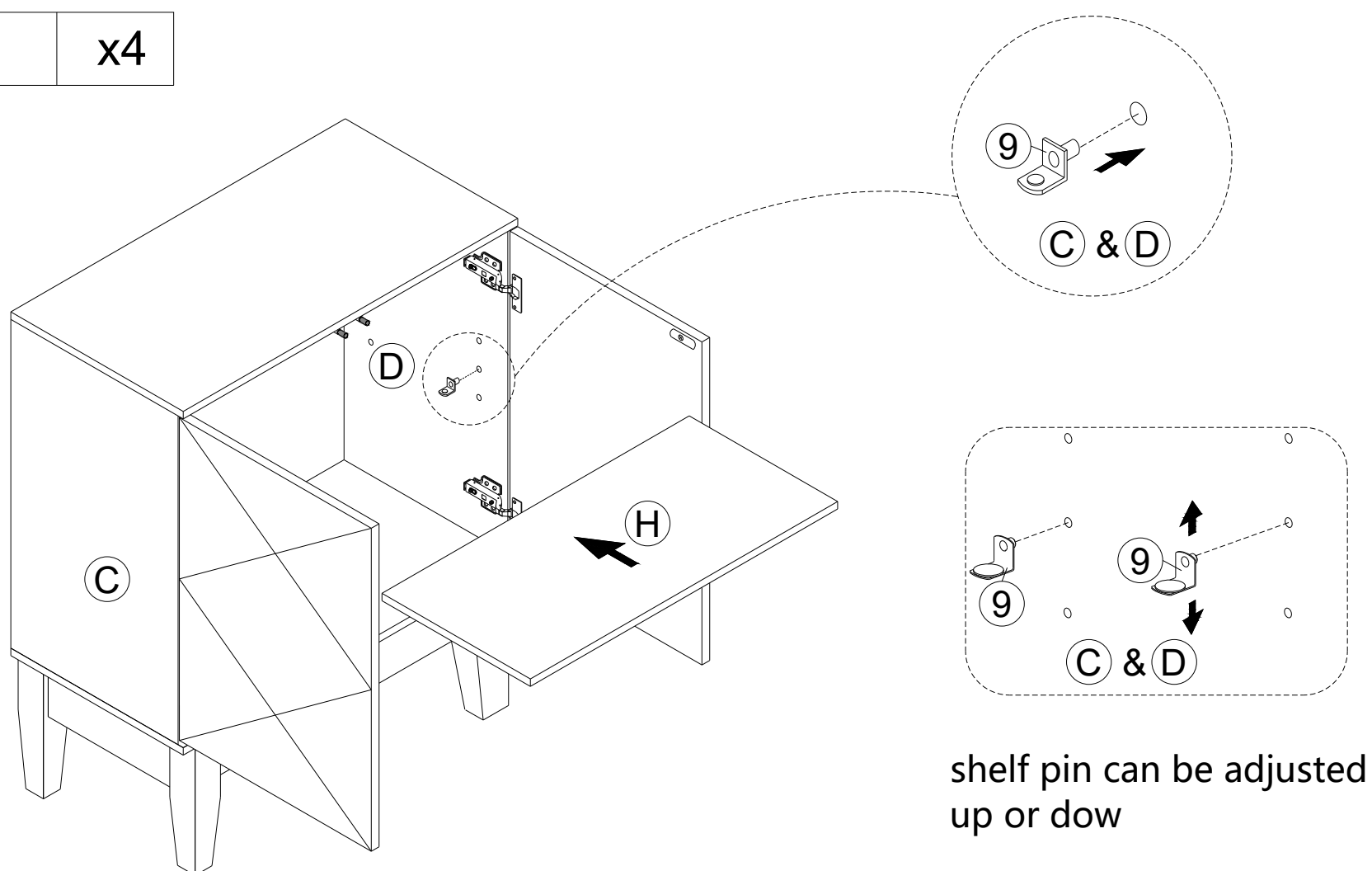
STEP 9



If you can't open the door smoothly, please adjust it as shown.

STEP 10

9		x4
---	---	----

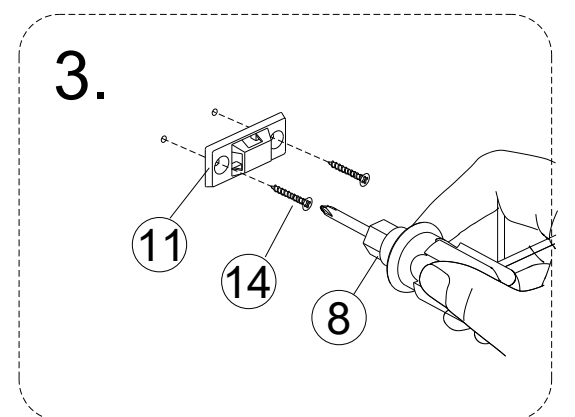
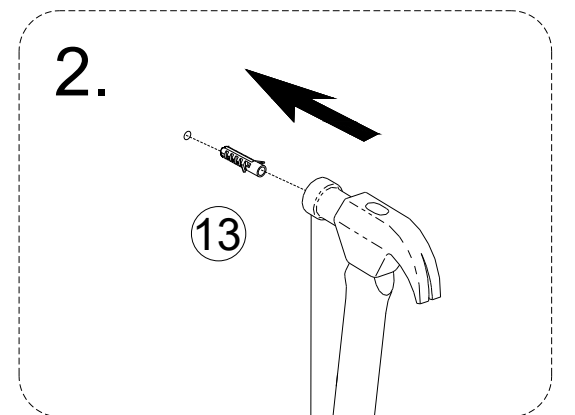
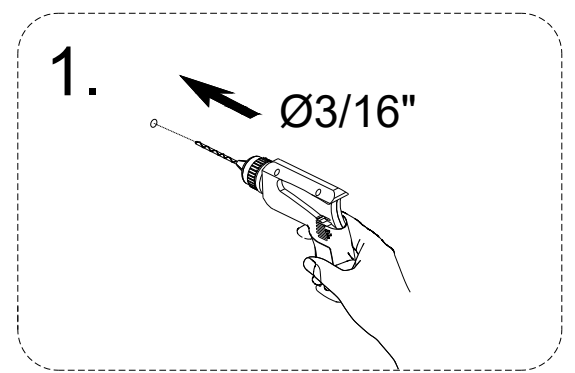
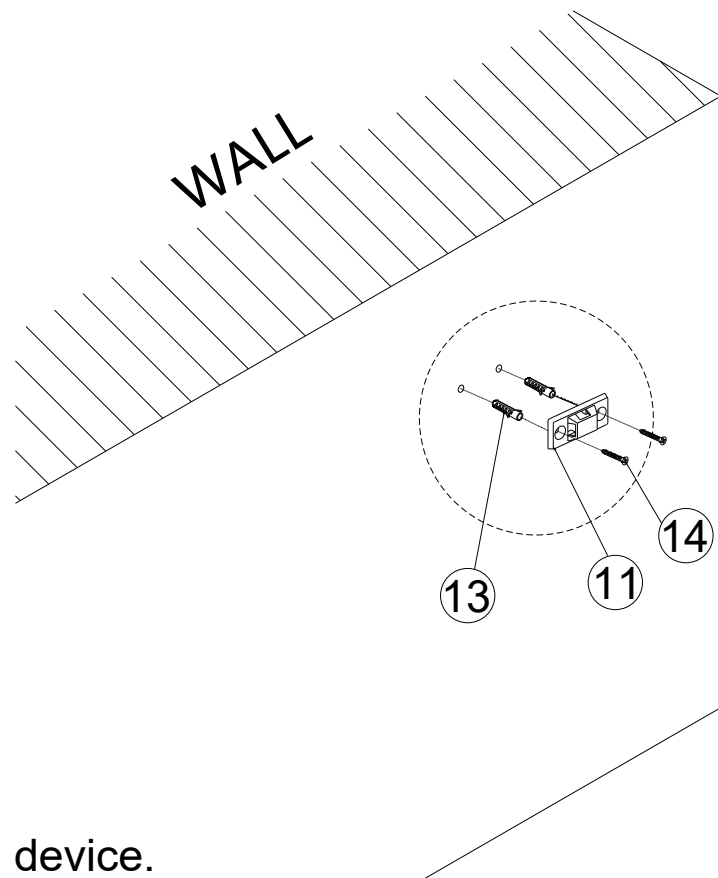


shelf pin can be adjusted up or down

Insert shelf pin (9) to pre-assemble unit at step 7 , and attach adjustable shelf (H) to it.

STEP 11

11		x1
13		x2
14		x2



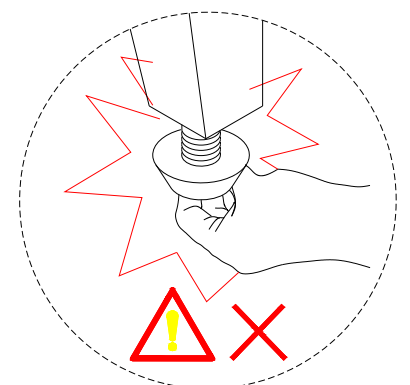
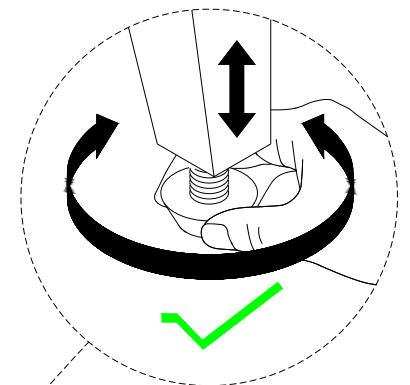
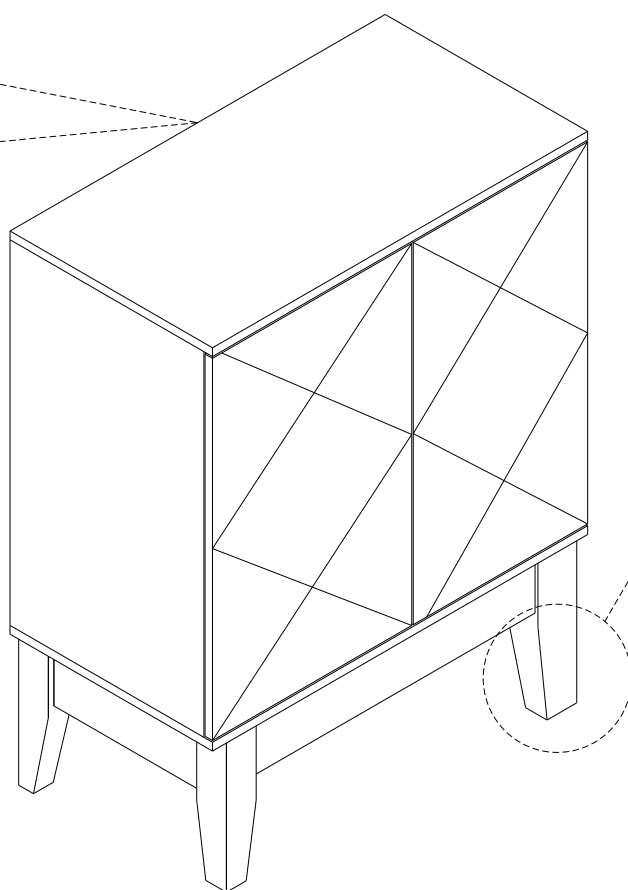
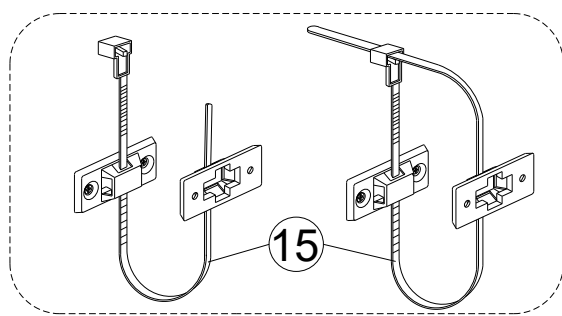
1. Install the anti-collapse device.

2. Mark the position on the wall, that corresponds to the location of part (11) on the back panel (E); Drill and insert the expandable screw (13) by hammer.

3. Assemble the part (11) to the wall. Align the hole in the part (11) with the expandable screw (13), use screw (14) to attach it and tighten by screwdriver (8).

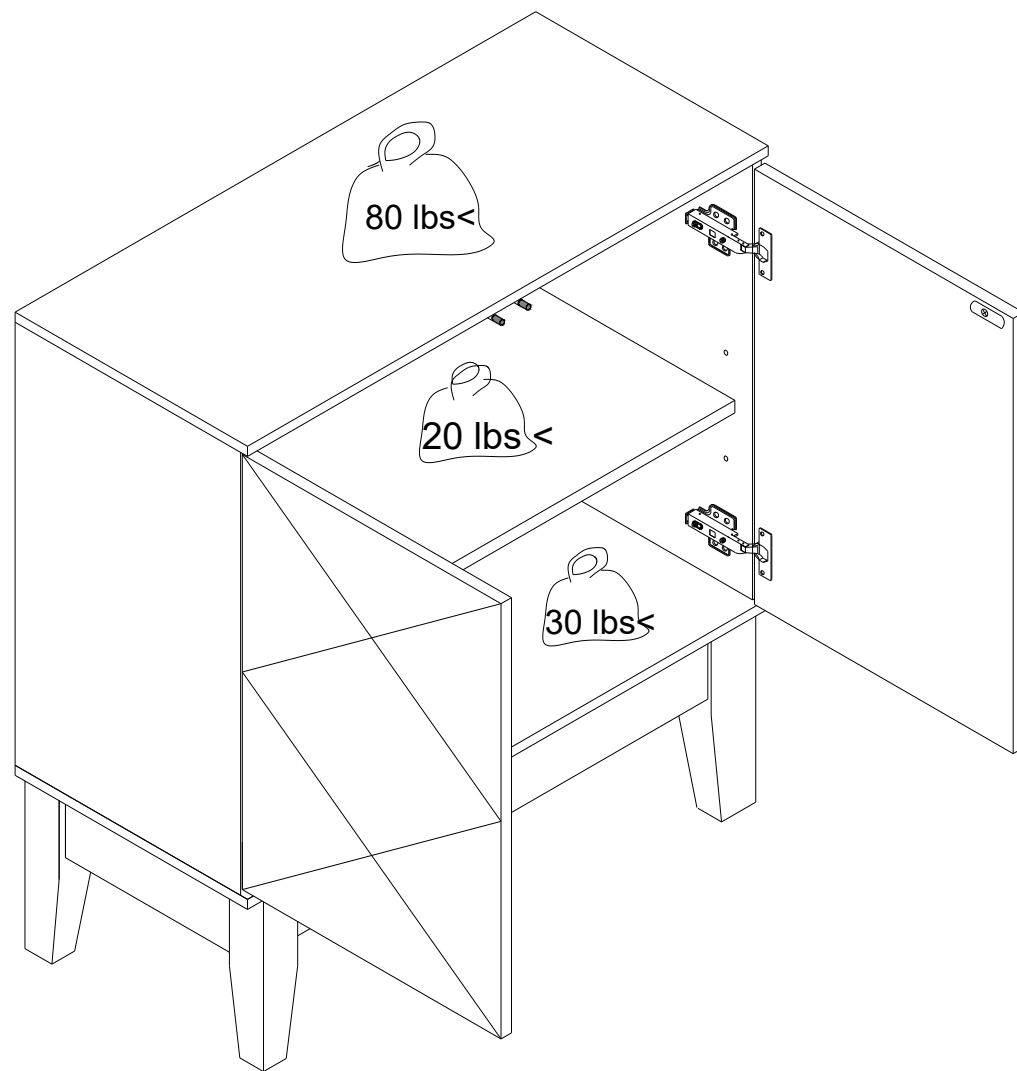
STEP 12

15		x1
----	--	----

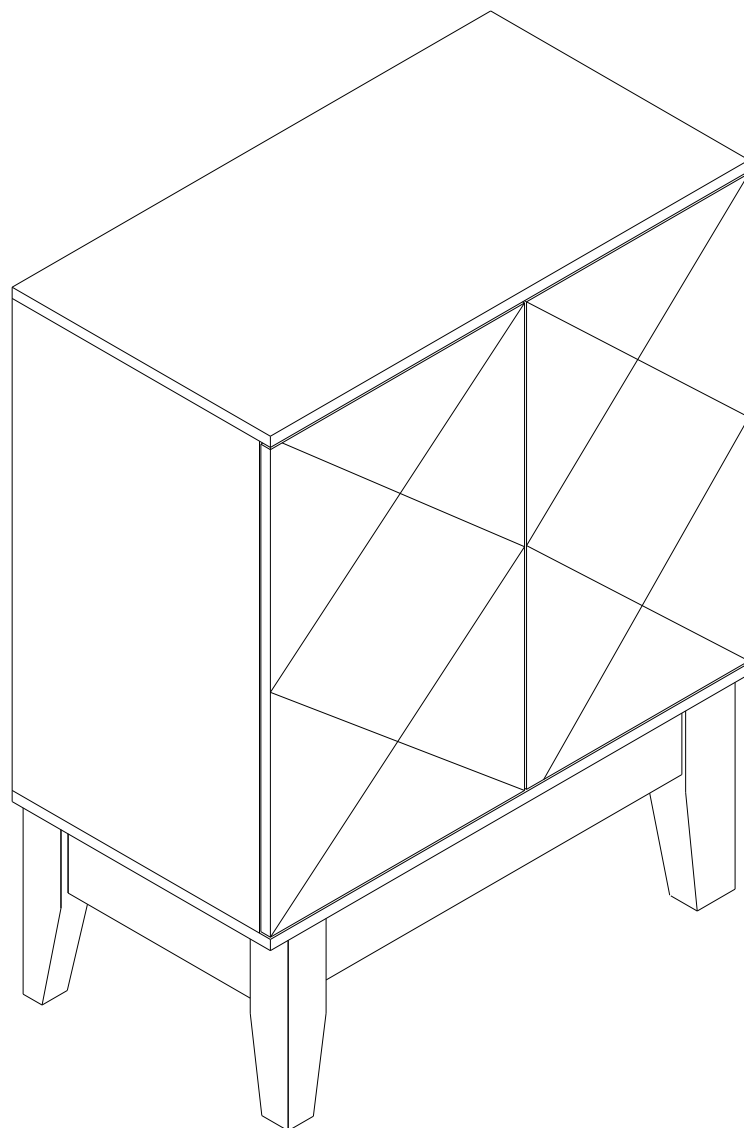


Attach the unit to the wall with Tie (15) Anti-tipping hardware must be used for this product to avoid tipping and injury. If the unit is not stable, please adjust the adjustable level.

STEP 13



STEP 14



MAINTENANCE AND WARNING

- Keep furniture away from heat.
- Do not clean furniture with harsh cleansers or polish. Do not use detergents, Solvents, abrasives, spray packs or leather cleaner. Use non-color mild soap with warm water clean spills(Mix 1:10 soap to water)
- Do not place furniture under direct sunlight, material will possibly fade over time.
- Do not use on site dry Cleaning machine.
- Children should not climb or jump on the furniture.
- Do not write on furniture without a padded barrier to protect the surface.
- Not for commercial use, For residential use only.
- The maximum load is 80 LBS.

WARRANTY

We strive to offer high , quality products, and we also try our best to satisfy each and every customer that orders from us with product or service as needed. We provide 30 days warranty starting from the time you receive the item. Each customer must provide a record of their order such as the order number, or item receipt for any items that are out of the warranty period you may also still receive replacement parts by purchasing them with our company if they are available.

Are you having difficulty with assembly? Missing parts?

For return, please check the return policy with the retailer or market place you bought from. Appreciate your purchasing from us. Pop up your life by our furniture piece!