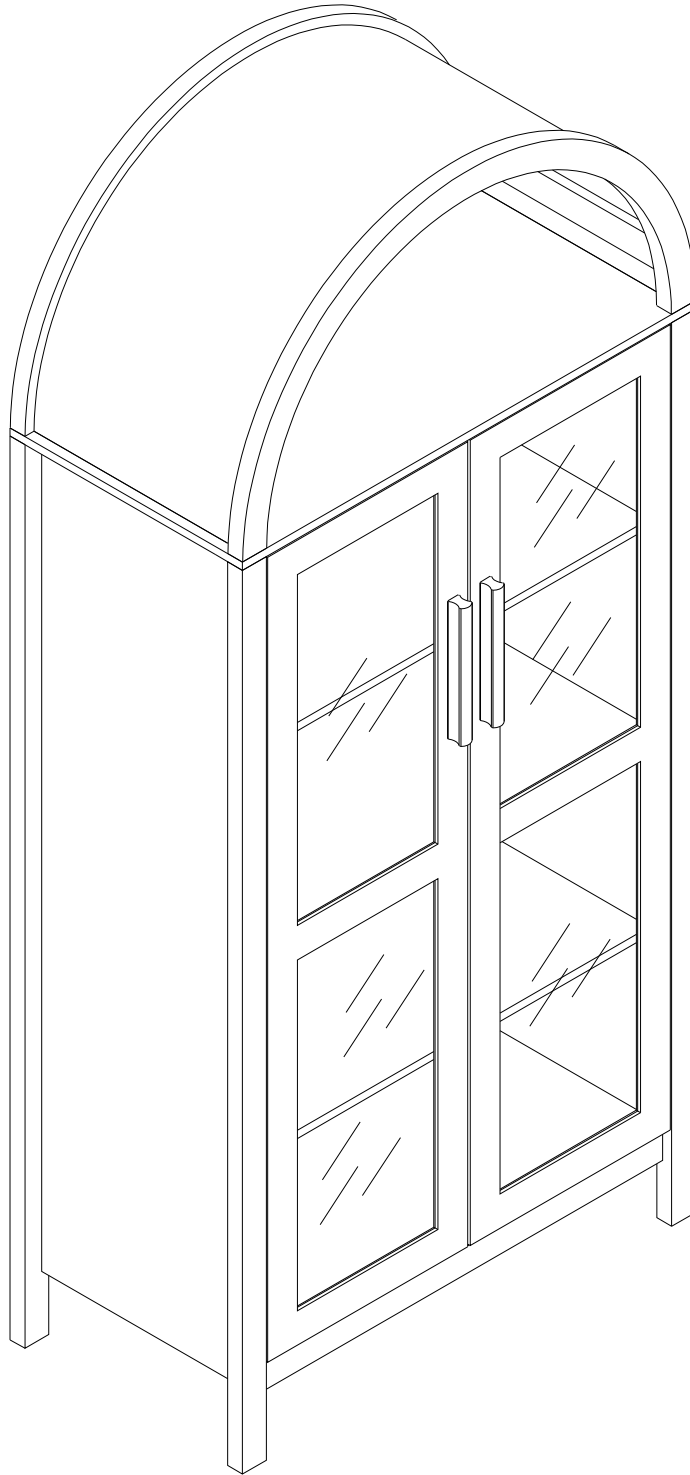


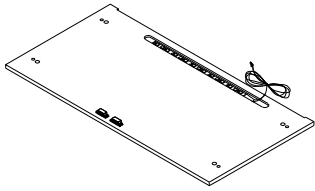
ASSEMBLY INSTRUCTION



**Install all screws according to the instructions,
and then tighten them completely.**

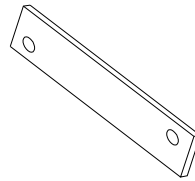
ASSEMBLY INSTRUCTION

1X



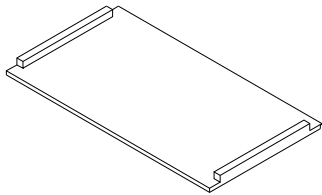
1

2X



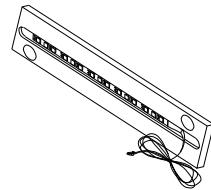
8

1X



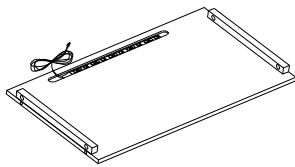
2

1X



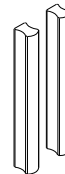
9

1X



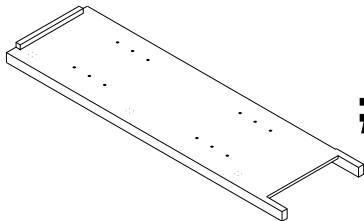
3

2X



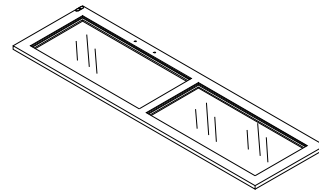
10

1X



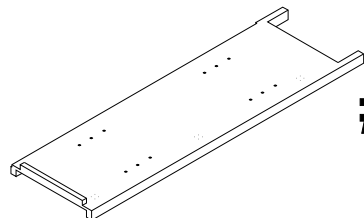
4

1X



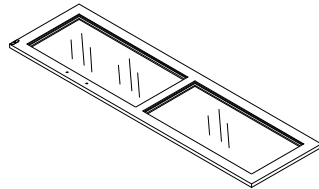
#11

1X



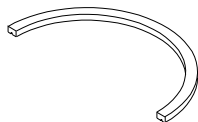
5

1X



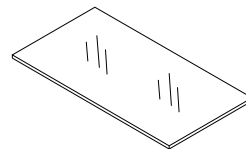
#12

1X



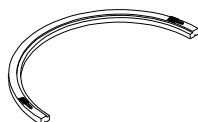
6

2X



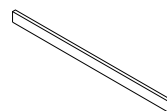
#13

1X



7

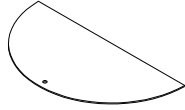
1X



14

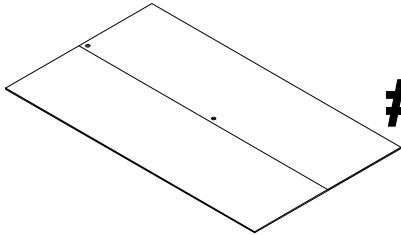
ASSEMBLY INSTRUCTION

1X



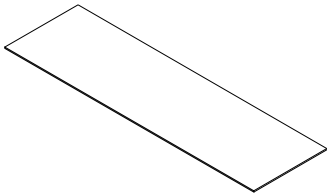
15

1X



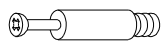
16

1X



17

13X



A

13X



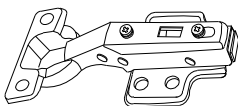
B

20X



C

6X



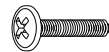
D

36X



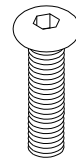
E

25X



F

12X



G

12X



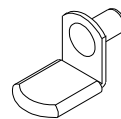
H

12X



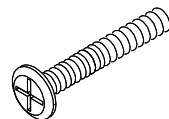
I

8X



J

4X



K

ASSEMBLY INSTRUCTION

1X



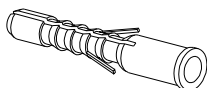
L

1X



M

1X



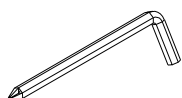
N

1X



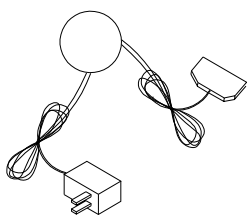
O

1X



P

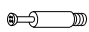


1X

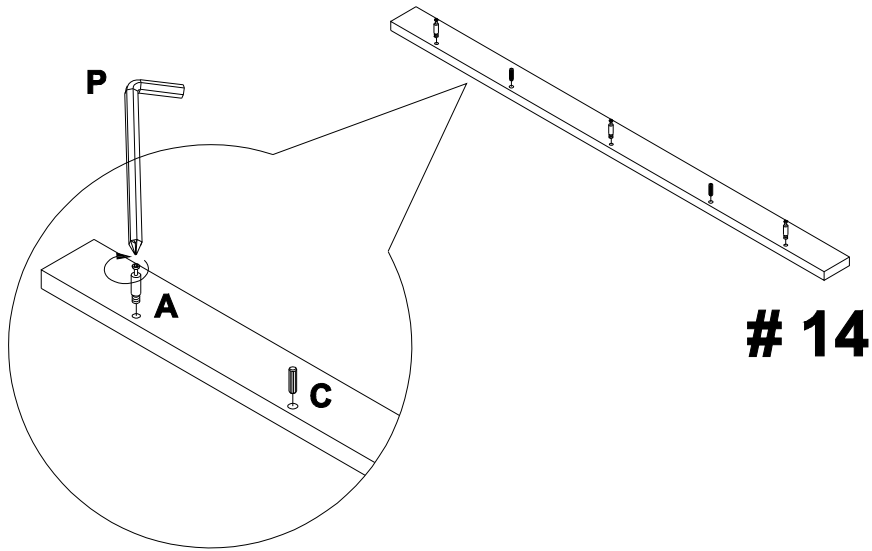


Q



1

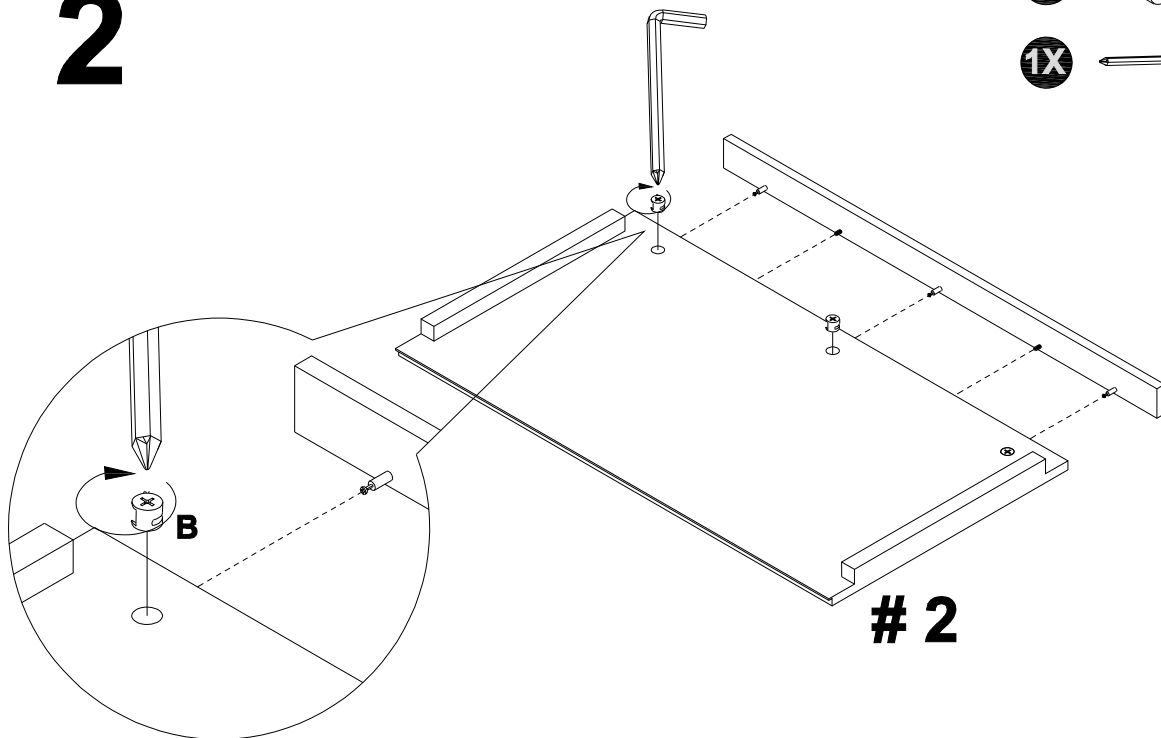
ASSEMBLY INSTRUCTION

- 3X**  **A**
- 2X**  **C**
- 1X**  **P**



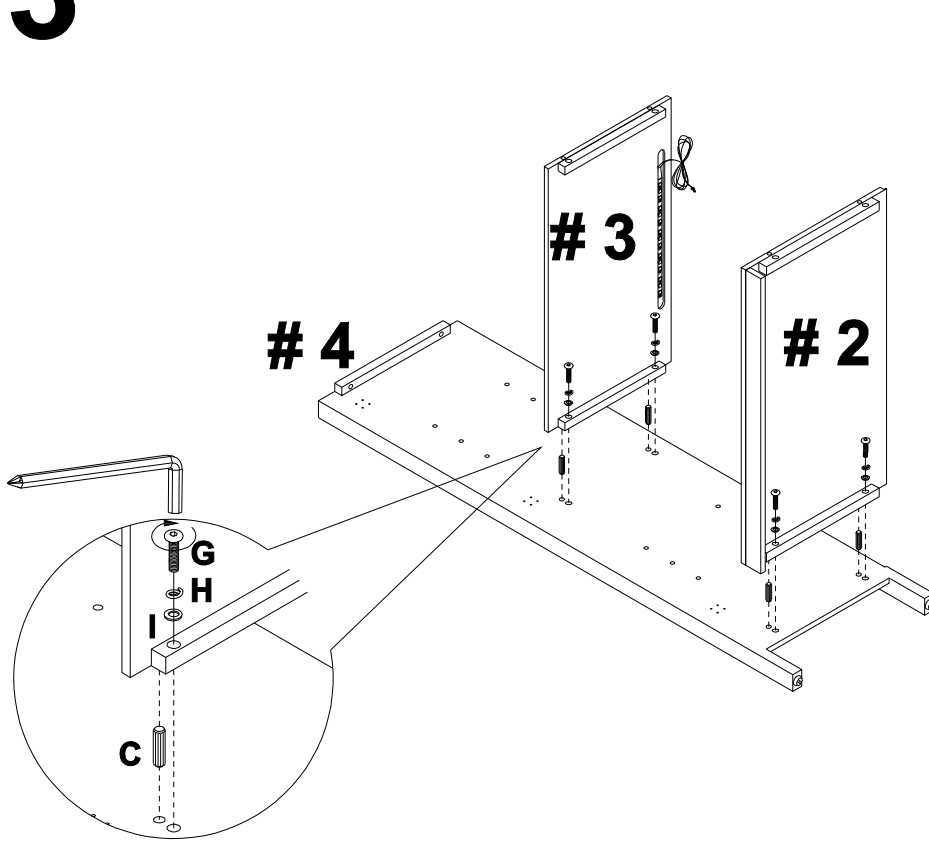
2

- 3X**  **B**
- 1X**  **P**



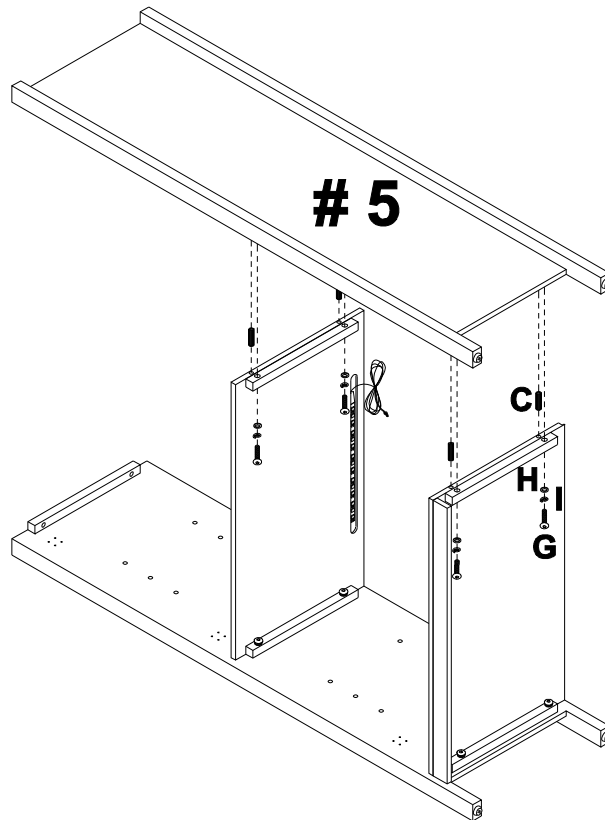
3

ASSEMBLY INSTRUCTION



- 4X C
- 4X G
- 4X H
- 4X I
- 1X P

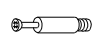
4



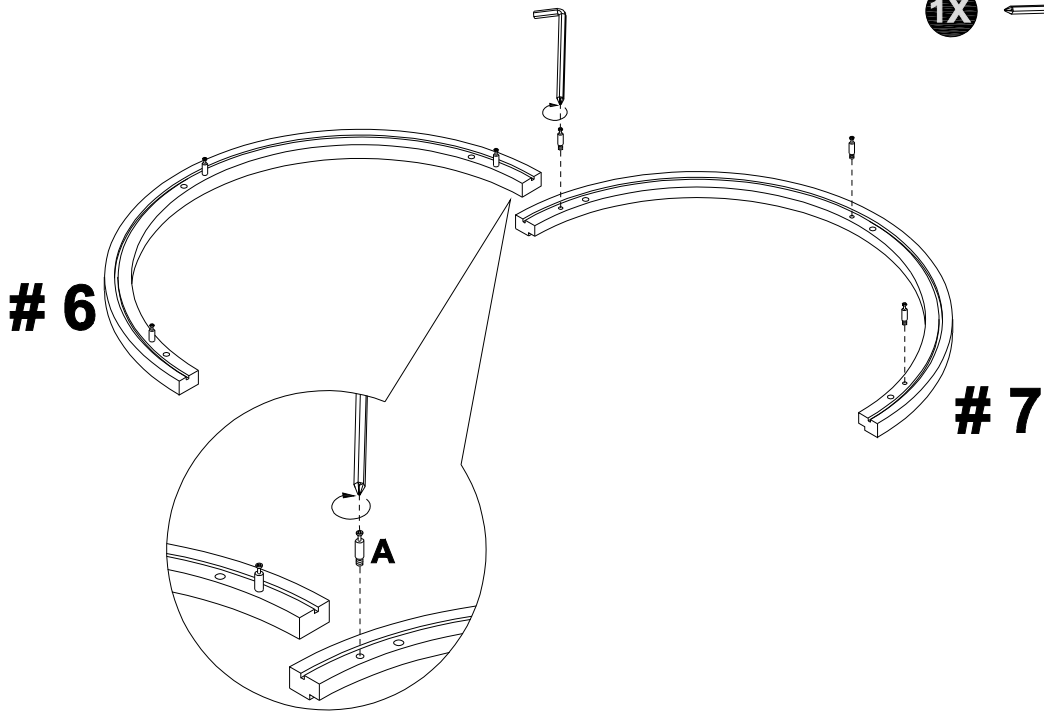
- 4X C
- 4X G
- 4X H
- 4X I
- 1X P

5

ASSEMBLY INSTRUCTION

6X  A

1X  P

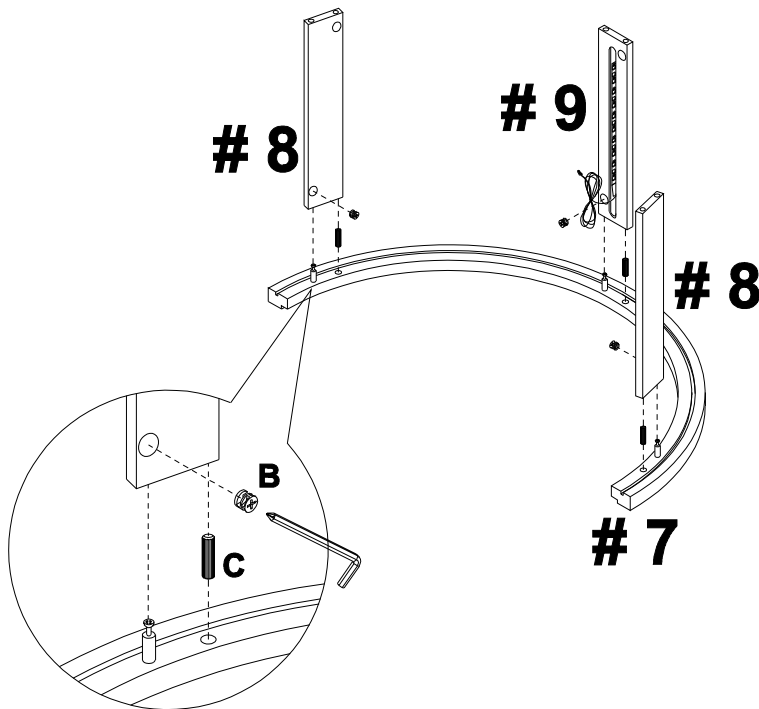


6

10X  B

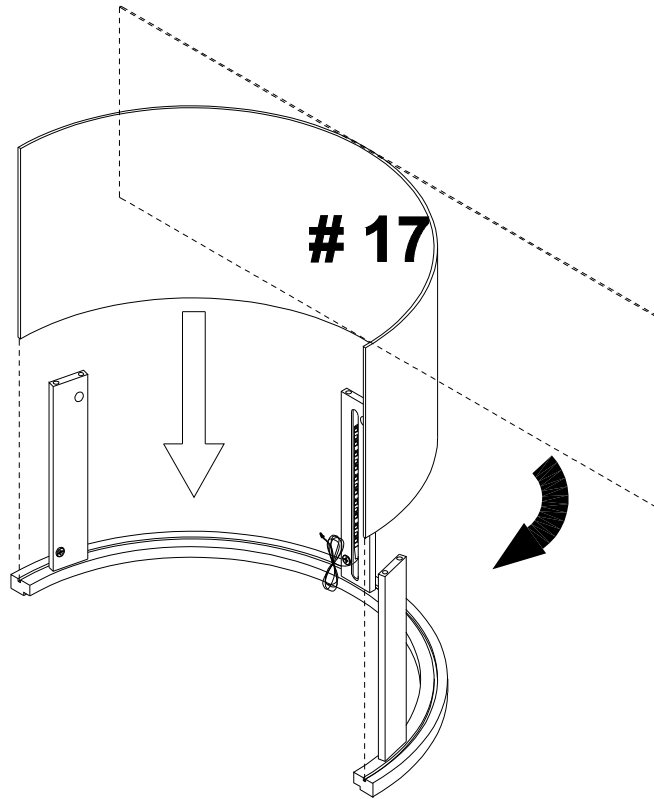
10X  C

1X  P



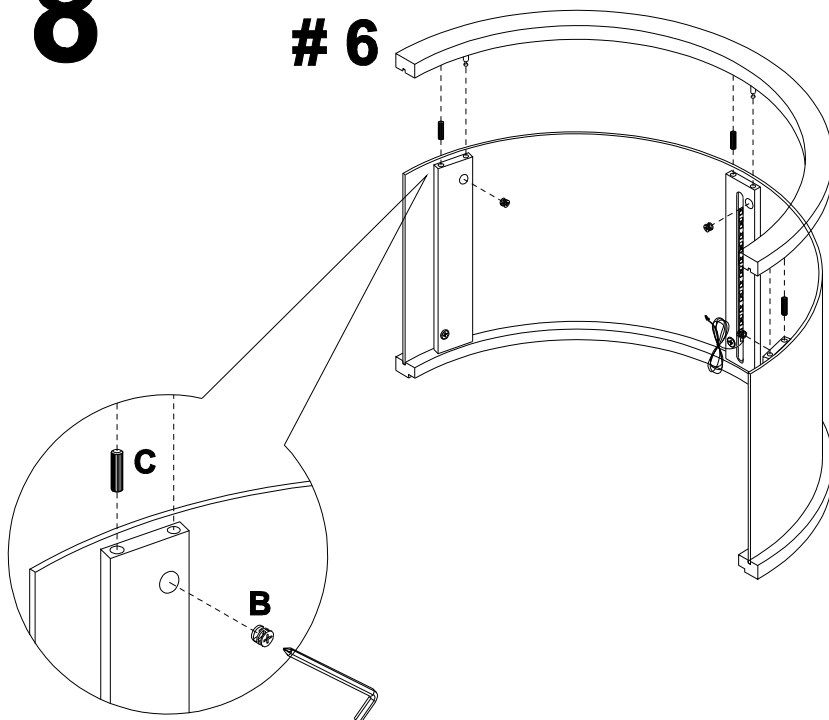
7

ASSEMBLY INSTRUCTION



8

6



3X



B

3X



C

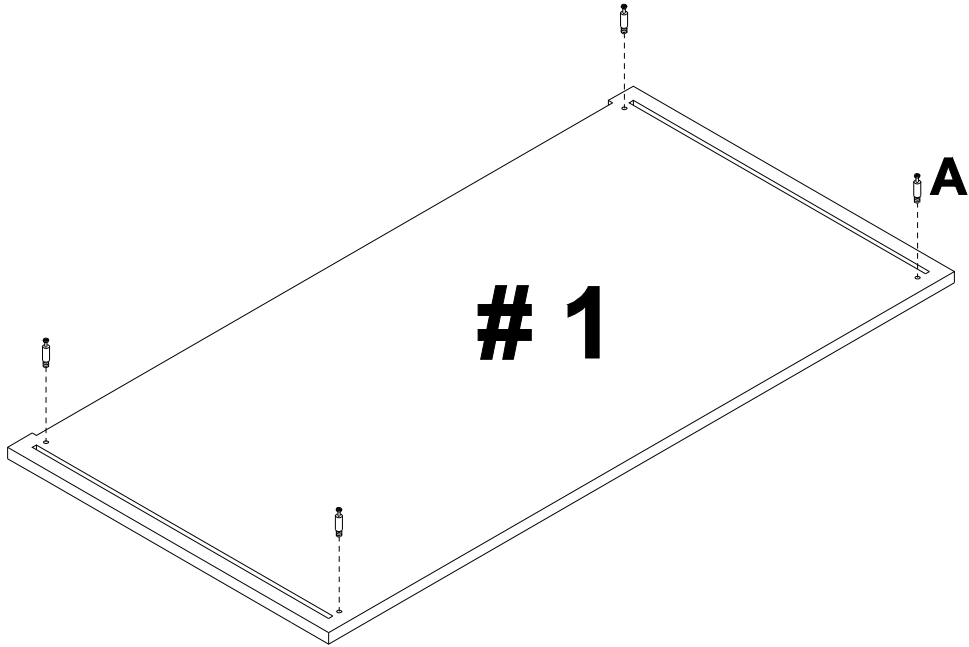
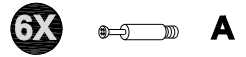
1X



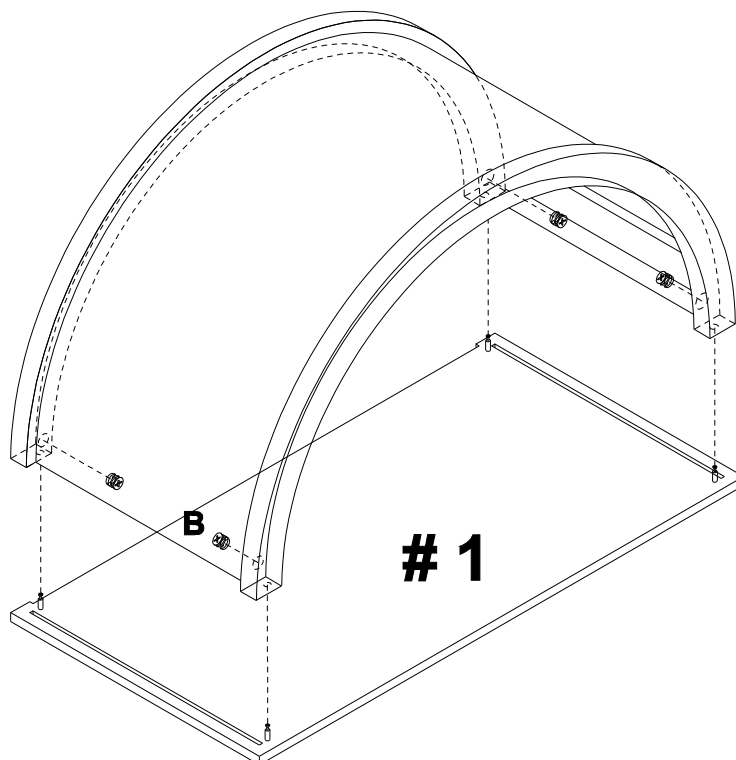
P

9

ASSEMBLY INSTRUCTION

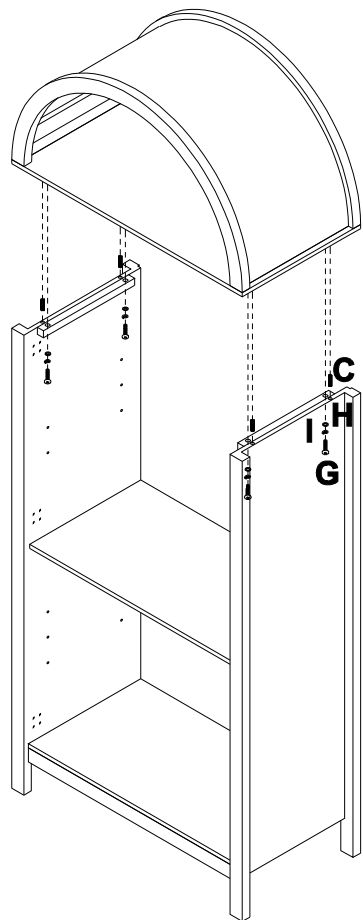







10



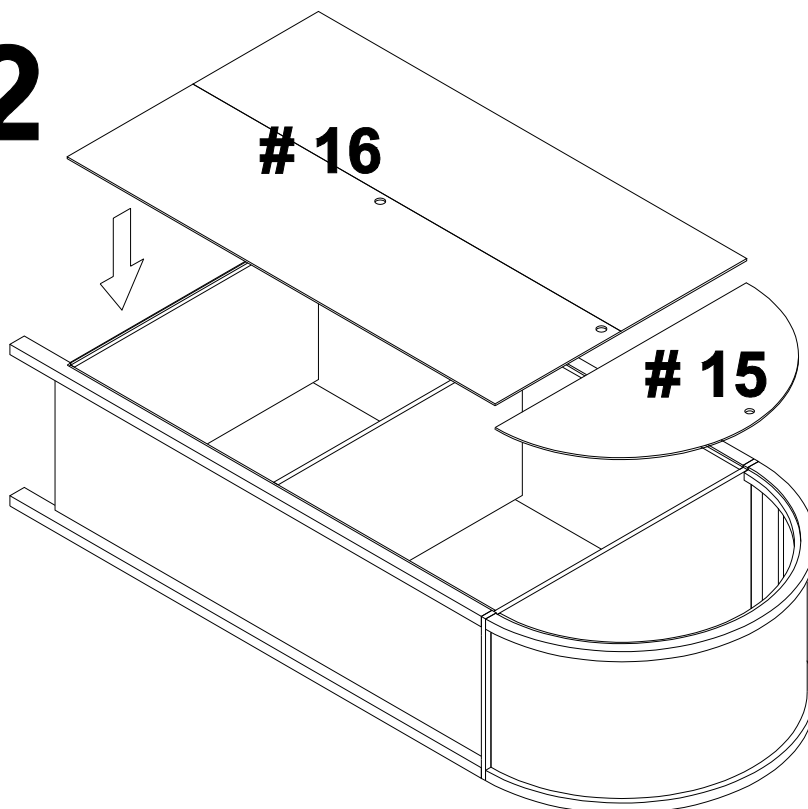
11

ASSEMBLY INSTRUCTION







- 4X  C
- 4X  G
- 4X  H
- 4X  I
- 1X  P

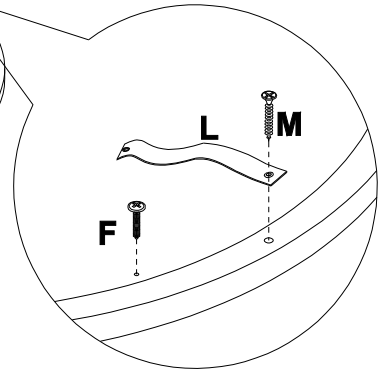
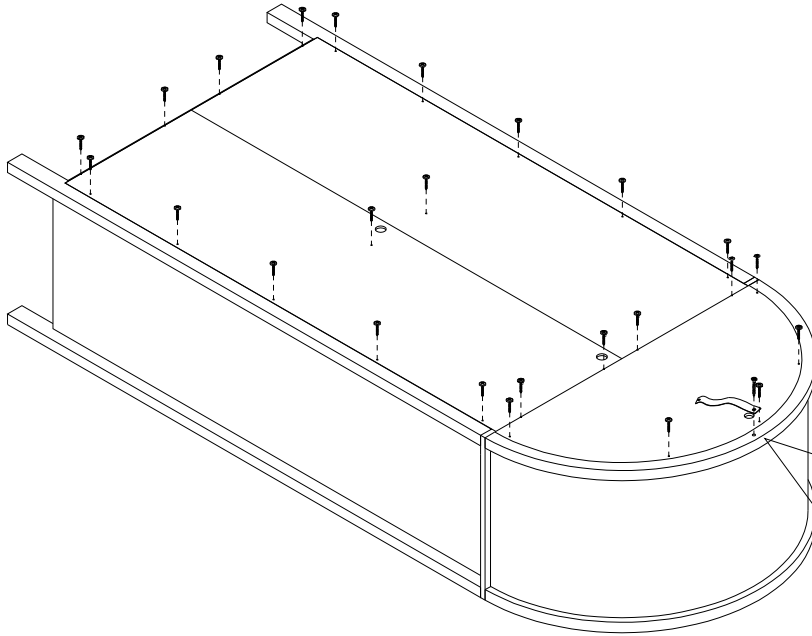
12



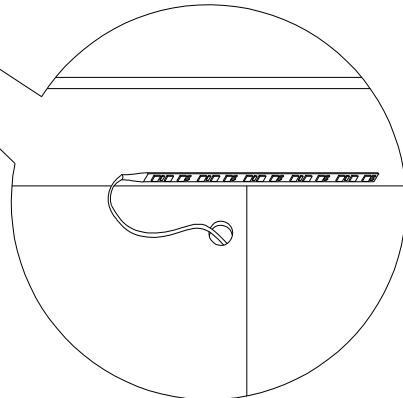
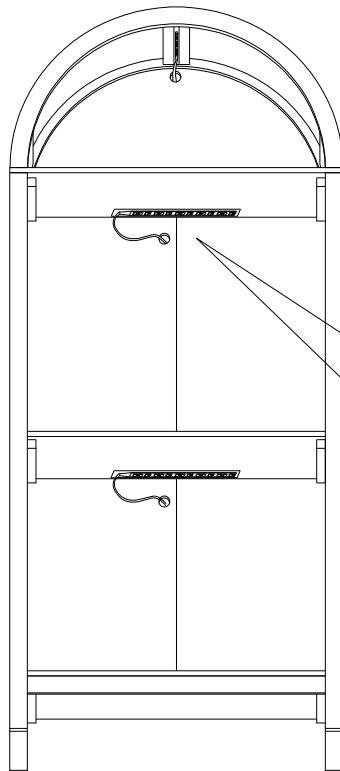
13

ASSEMBLY INSTRUCTION

- 25X  F
- 1X  L
- 1X  M
- 1X  P



14



ASSEMBLY INSTRUCTION

Easy-Peel & Stick Installation

Just peel off the backing and press firmly onto any clean, dry surface—no glue needed.

Install Smart

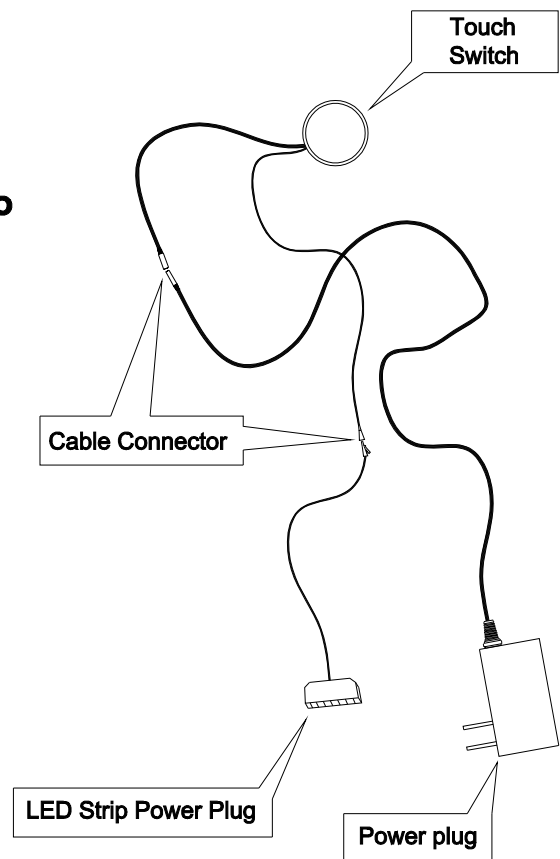
-Stick it anywhere within easy reach for smooth, hassle-free operation.

Safety First

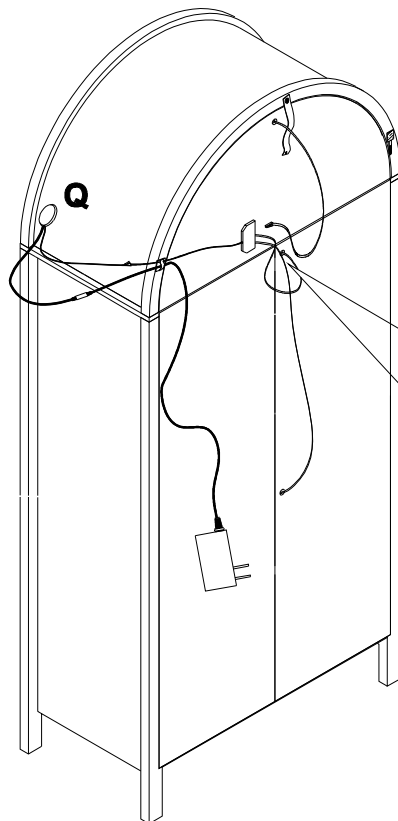
-Keep loose cords tidy and out of reach of kids and pets to prevent chewing or tugging.

Built-In Cord Organizer

-Includes a Velcro strap to neatly gather and secure extra wire—no messy tangles!



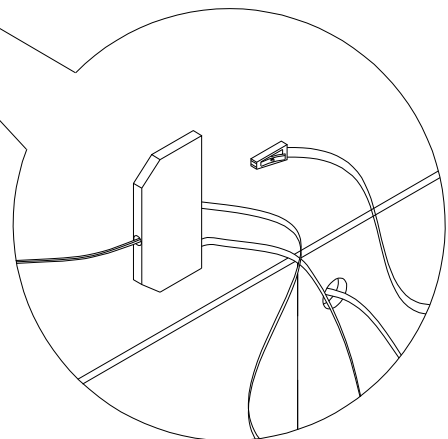
15



1X

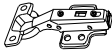




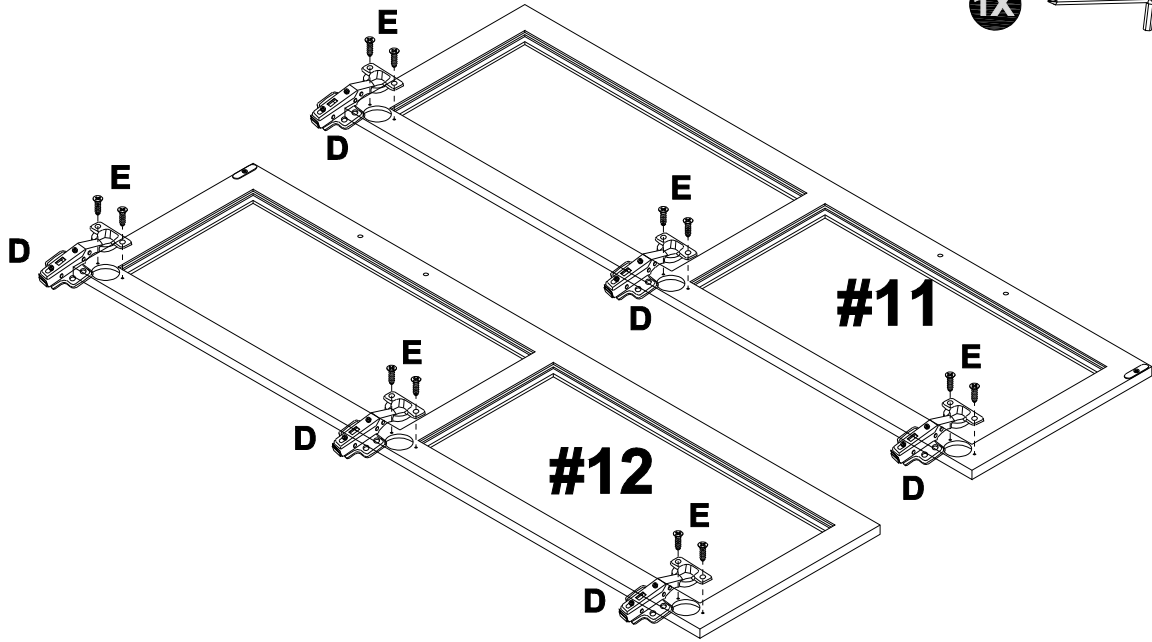
Q





16

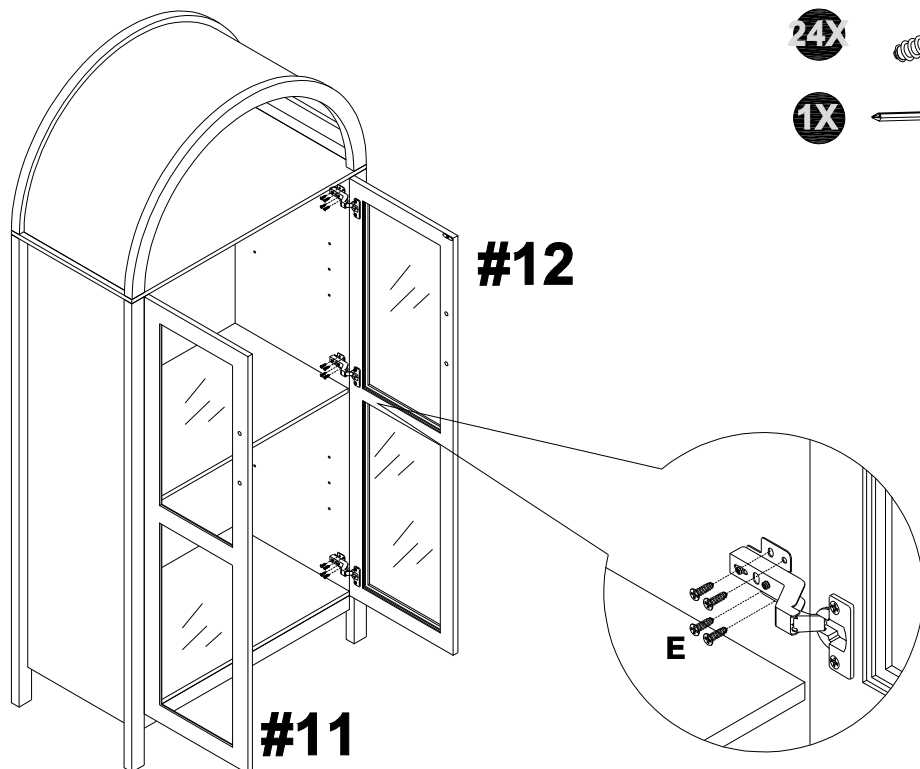
ASSEMBLY INSTRUCTION

- 4X  D
- 2X  E
- 1X  P



17

- 24X  E
- 1X  P



18

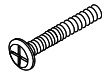
ASSEMBLY INSTRUCTION

8X

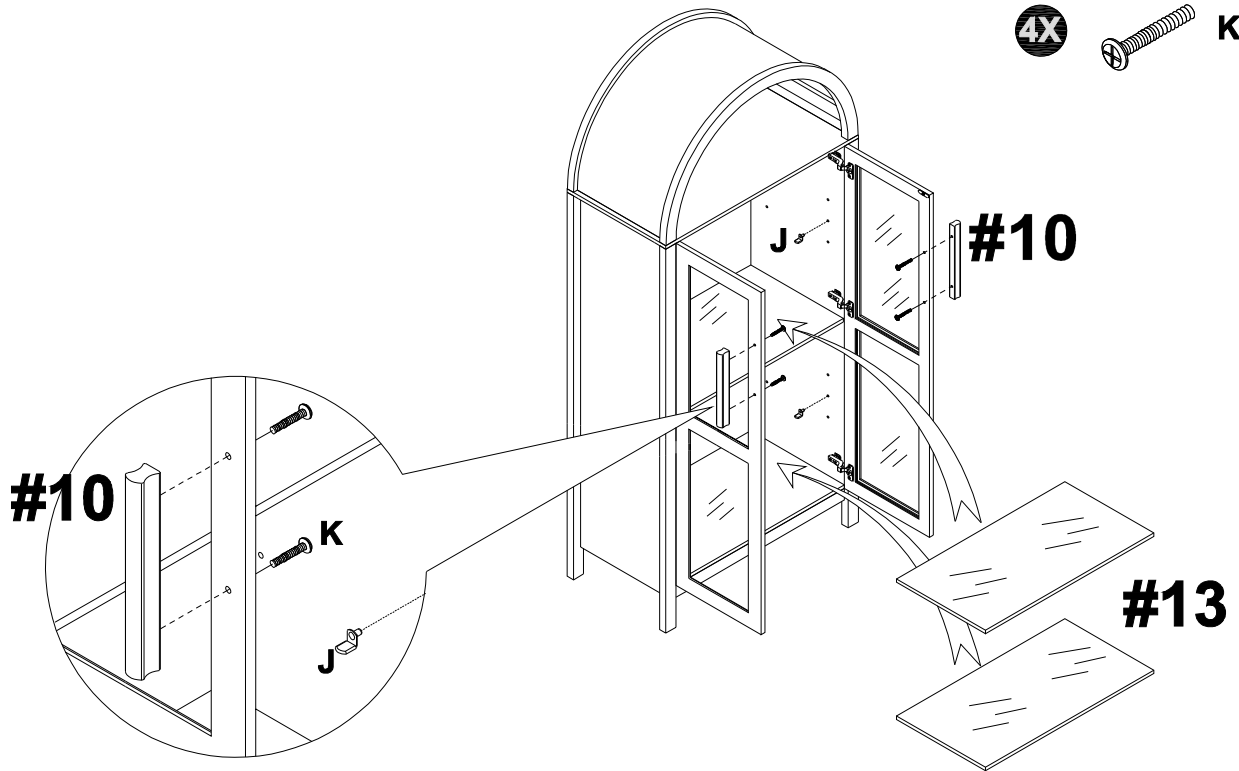


J

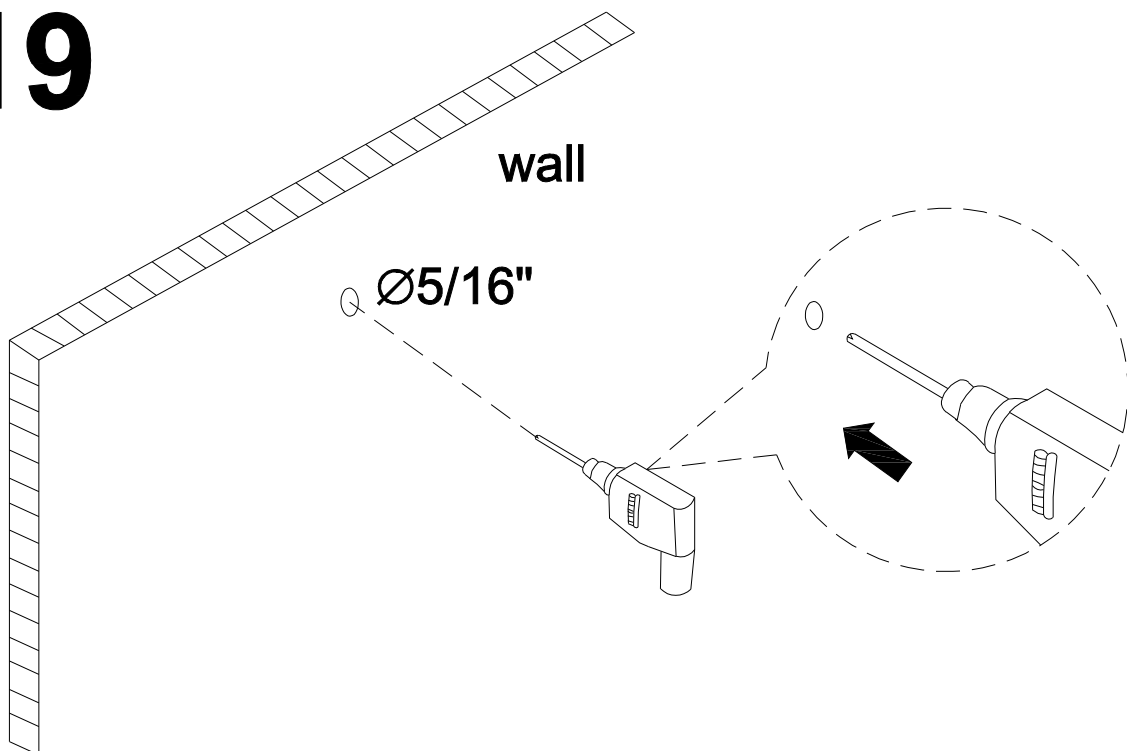
4X



K



19



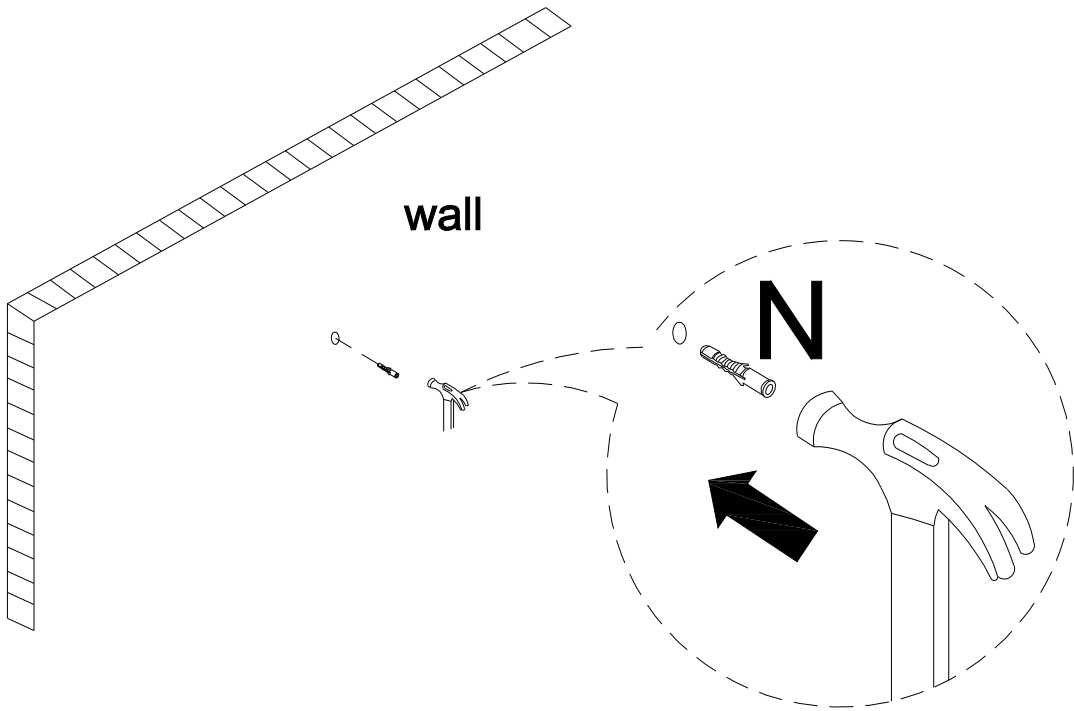
20

ASSEMBLY INSTRUCTION

1X



N



21

ASSEMBLY INSTRUCTION

1x



o

wall

