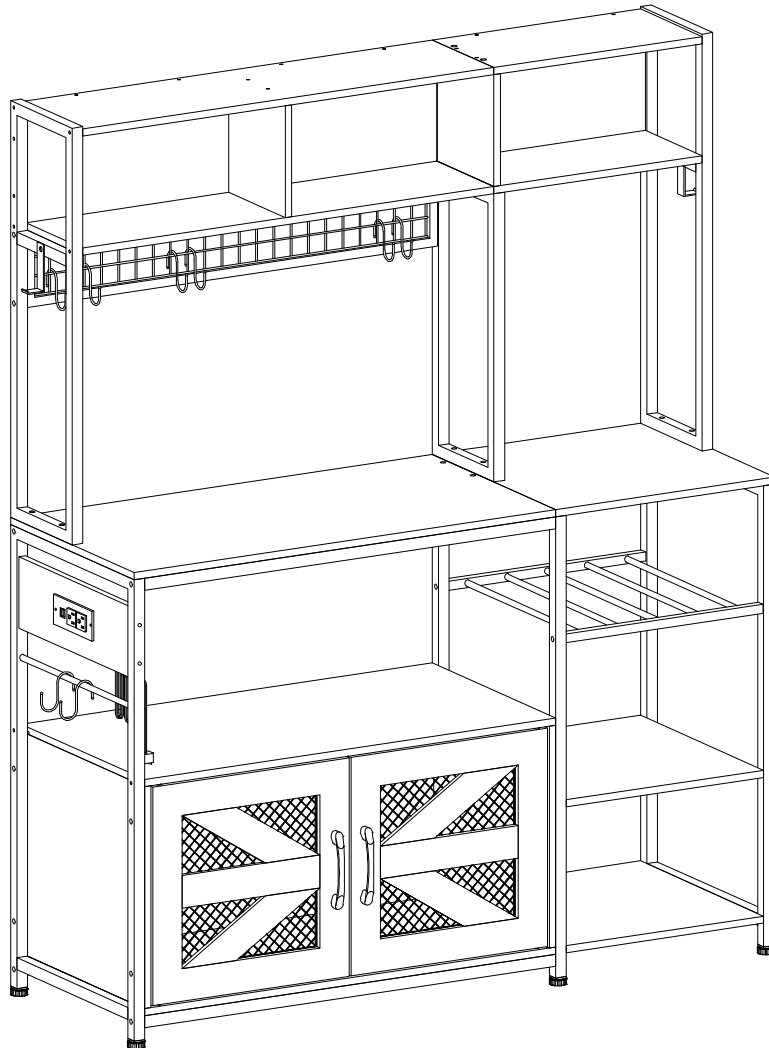
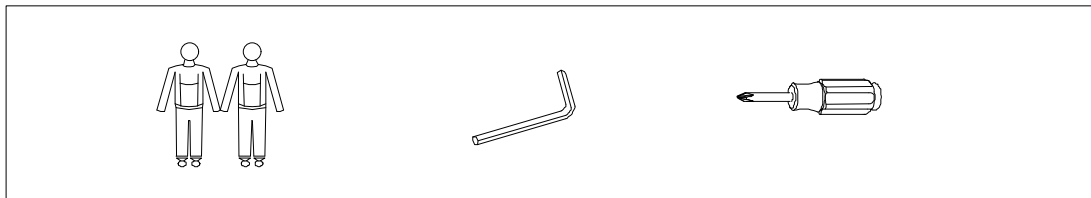


# SHELF



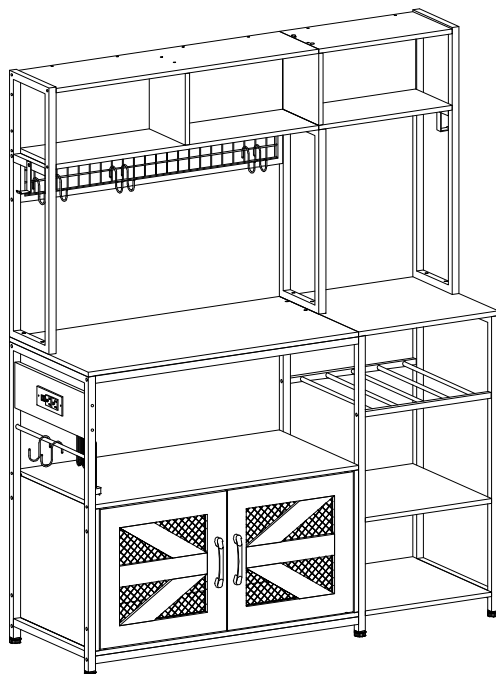
Warning: Please read this instruction manual carefully before using the product.



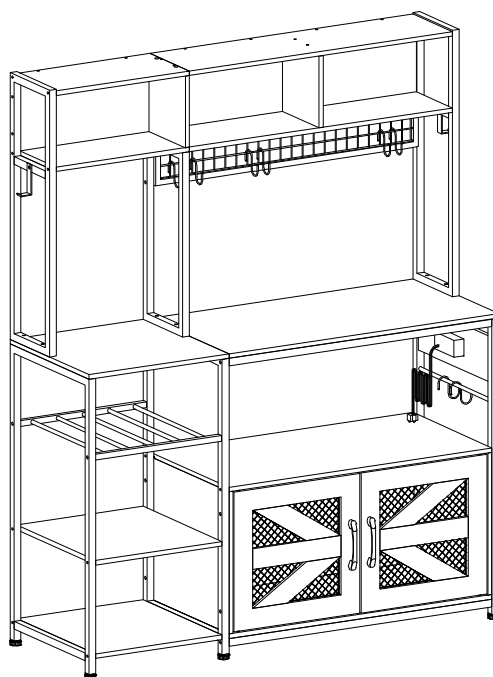
GAUTION:When tightening the screws,tighten sequentially.  
Do not tighten any screws fully and then towards the next one.  
When every part is OK,then tighten all the screws.

# ASSEMBLY INSTRUCTION FOR SHELF

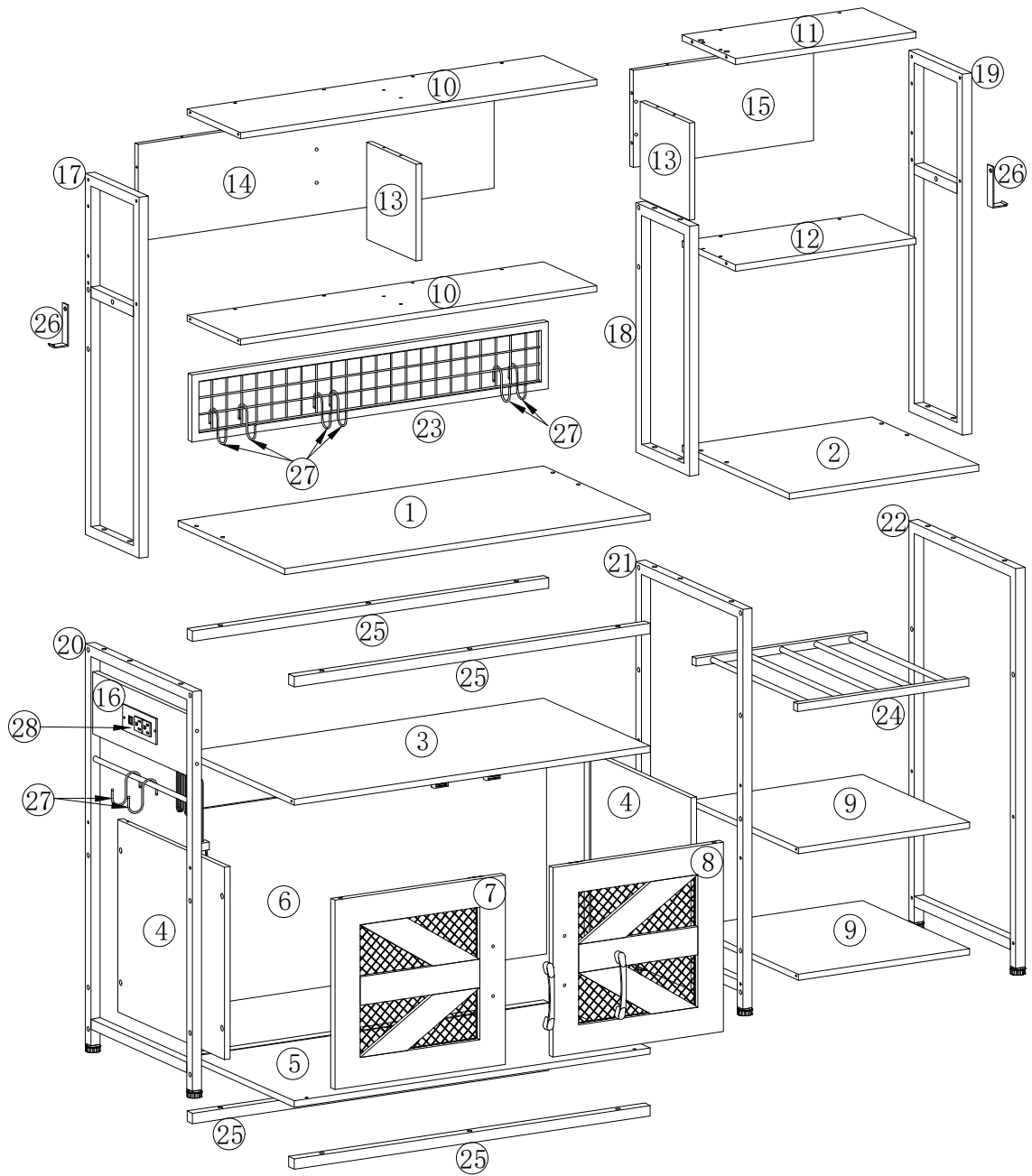
## Installation method I



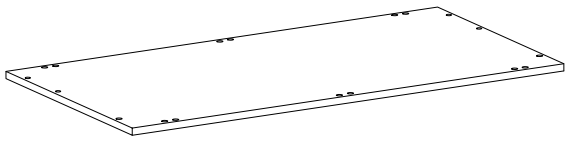
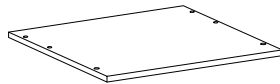

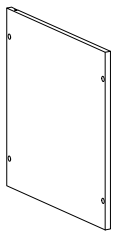

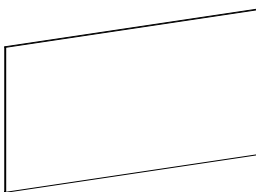
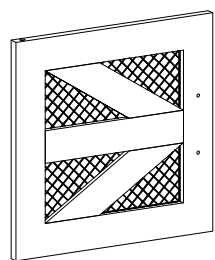
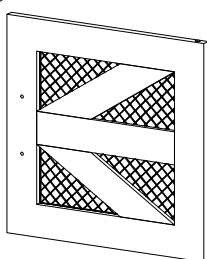
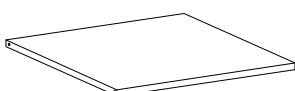
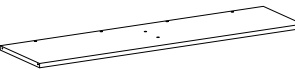

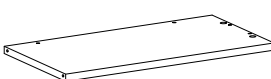
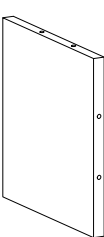
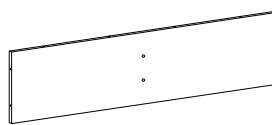
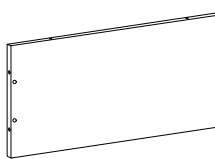
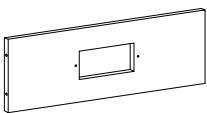
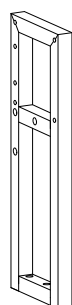
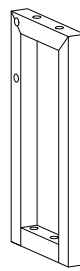
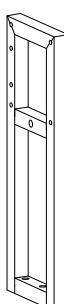
## Installation method II



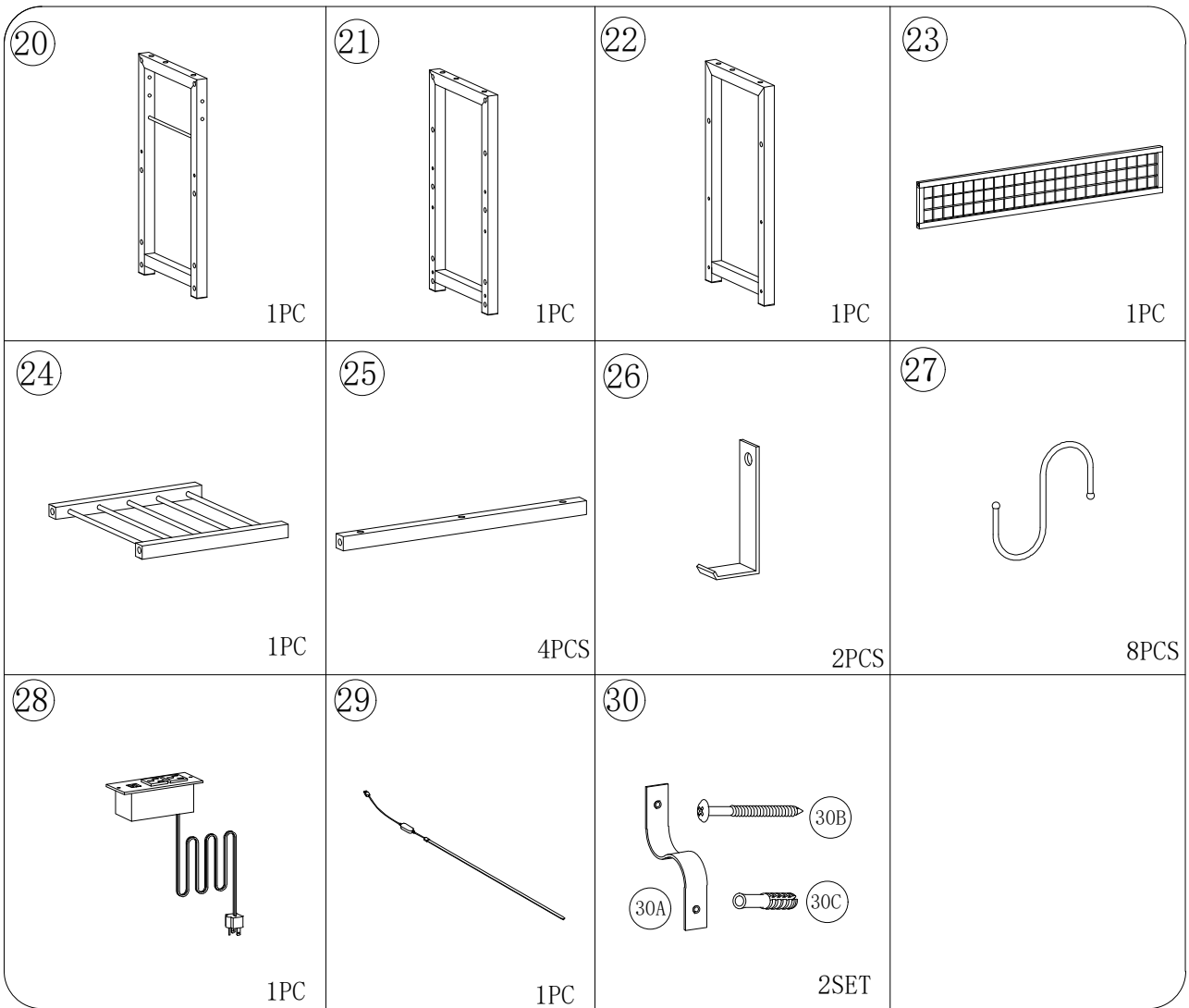
# ASSEMBLY INSTRUCTION FOR SHELF



# ASSEMBLY INSTRUCTION FOR SHELF

<p>①</p>  <p>1PC</p>	<p>②</p>  <p>1PC</p>	<p>③</p>  <p>1PC</p>	
<p>④</p>  <p>2PCS</p>	<p>⑤</p>  <p>1PC</p>	<p>⑥</p>  <p>1PC</p>	<p>⑦</p>  <p>1PC</p>
<p>⑧</p>  <p>1PC</p>	<p>⑨</p>  <p>2PCS</p>	<p>⑩</p>  <p>2PCS</p>	<p>⑪</p>  <p>1PC</p>
<p>⑫</p>  <p>1PC</p>	<p>⑬</p>  <p>2PCS</p>	<p>⑭</p>  <p>1PC</p>	<p>⑮</p>  <p>1PC</p>
<p>⑯</p>  <p>1PC</p>	<p>⑰</p>  <p>1PC</p>	<p>⑱</p>  <p>1PC</p>	<p>⑲</p>  <p>1PC</p>

# ASSEMBLY INSTRUCTION FOR SHELF

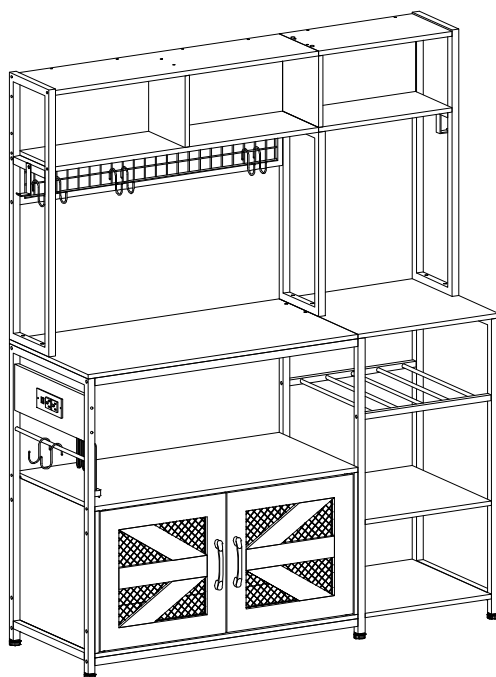


NO.	PICTURE	SIZE	QTY	NO.	PICTURE	SIZE	QTY
A		ST5x40	52+5	K		M3.5x12	10+1
B			2	L		M6	6+1
C		M6x10	4	M		M6x30	6+1
D		M6x25	25+2	N			6
E		M6x30	2	O		∅12	2
F		M6x40	16+2	P			1
G		M6x60	6+1				
H		M6	8+1			M3	1
I			4			M4	1
J		M4x18	2/4				1

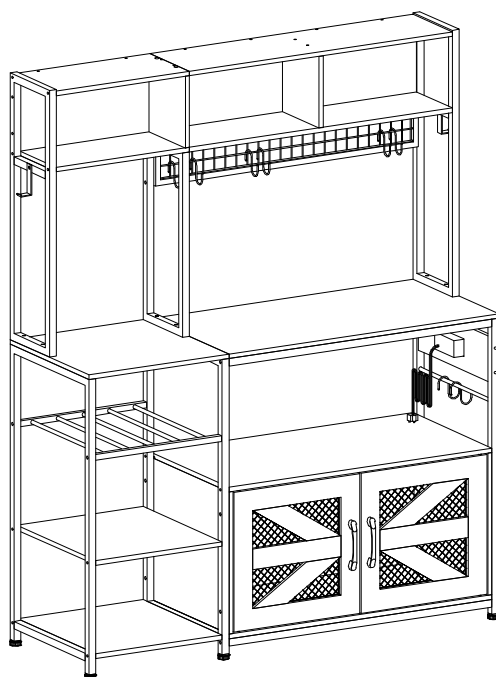
## ASSEMBLY INSTRUCTION FOR SHELF

This computer desk has two different installation methods, please choose one of the installation methods and install it according to its unique assembly method.

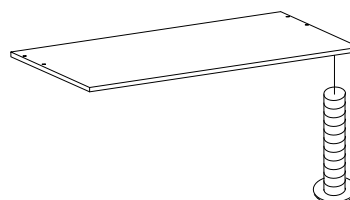
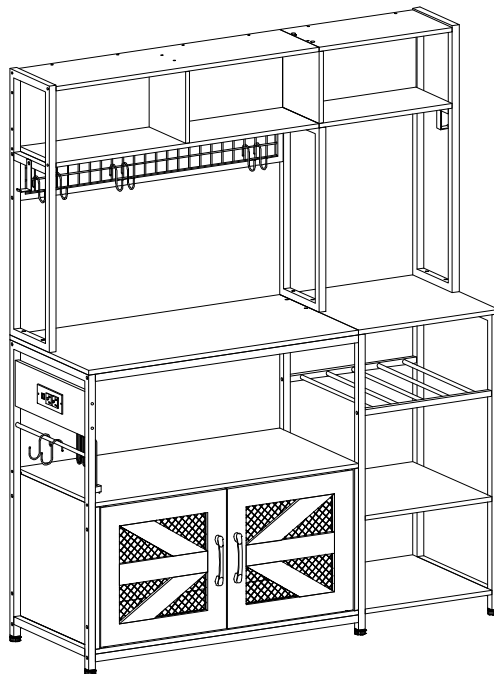
Installation method I: Please refer to Step 1-1~Step 1-23



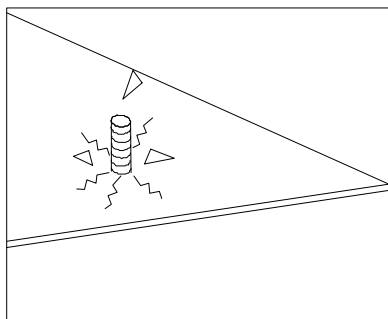
Installation method II: please refer to Step 2-1~Step 2-23



# ASSEMBLY INSTRUCTION FOR SHELF

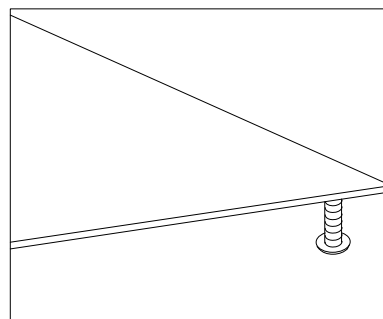


Make sure to use the correct screws to avoid damaging components



✘

Wrong size screw can split the board



✔

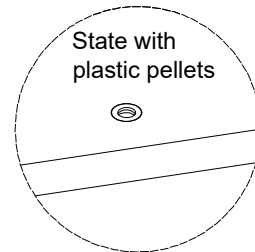
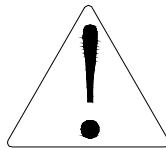
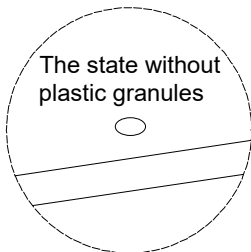
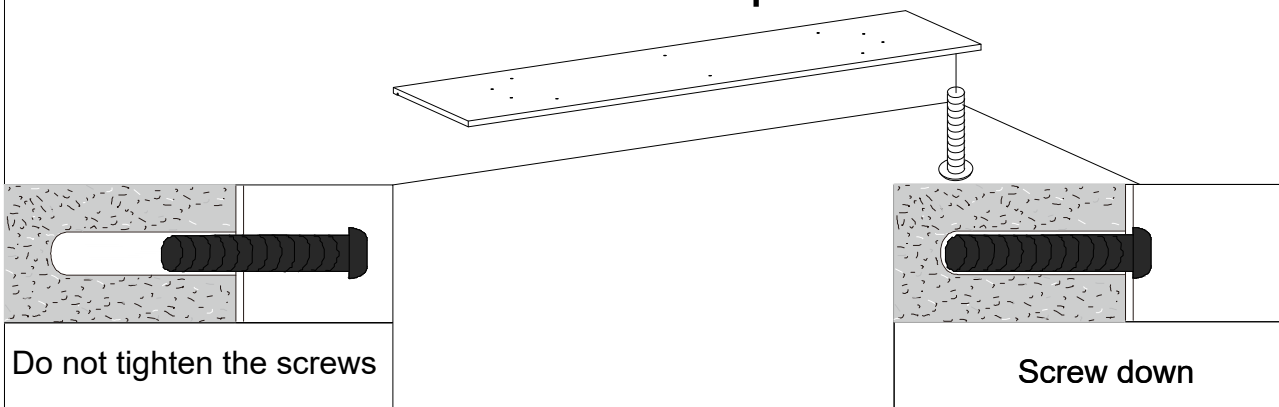
Correct screw size is correct

# ASSEMBLY INSTRUCTION FOR SHELF

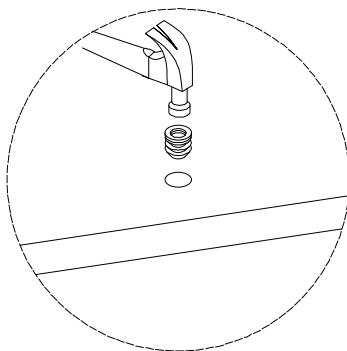
## Matters needing attention

- (1) When installing the screws in the installation step, the screws do not need to be tightened. After this installation step is confirmed and the holes are aligned, then tighten all the screws.
- (2) If the screws are tightened during the installation process, it will cause problems such as misalignment of the screw holes and misalignment of the board in subsequent installations.

### example



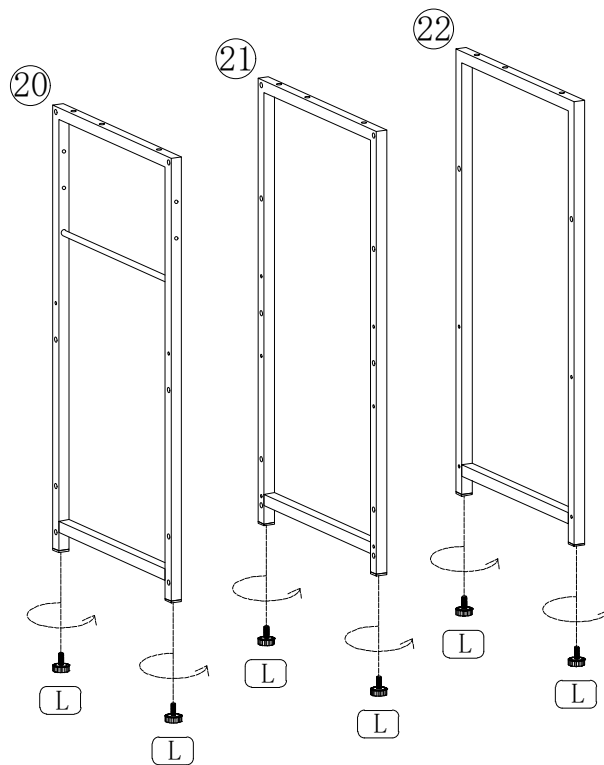
Note that if you find that there are no plastic granules on the wooden block, the table cannot be assembled, please don't worry, please use the spare plastic granules in the screw bag



Note, please use a tool to carefully align the plastic pellets with the holes and then knock them down

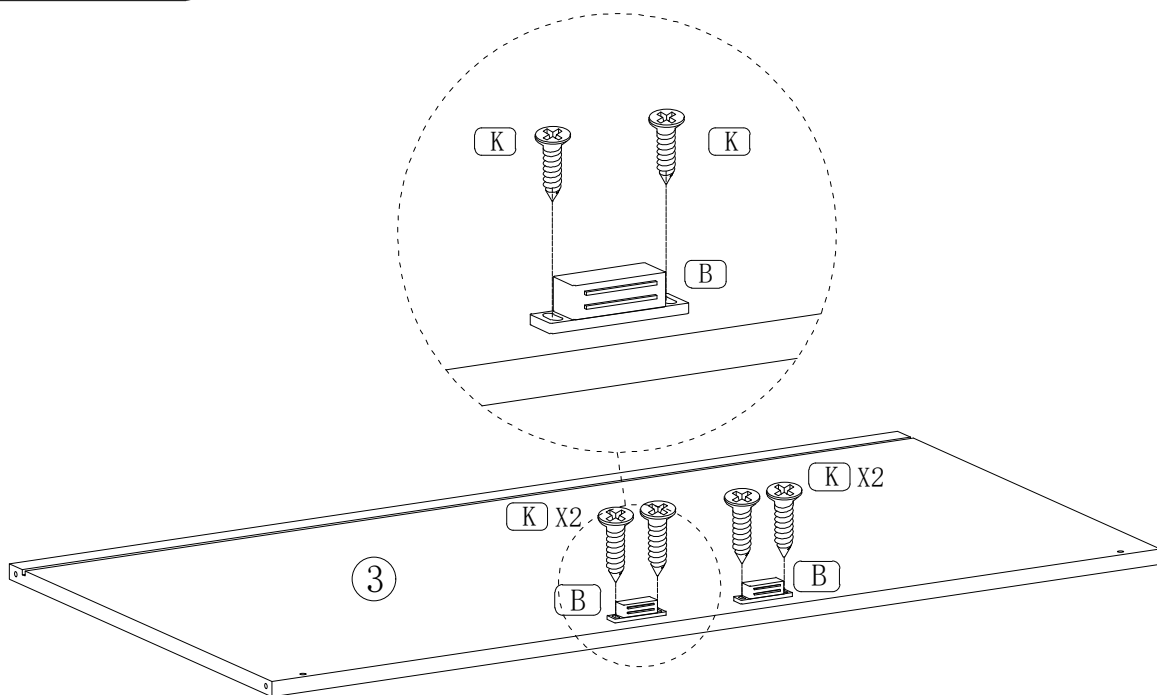
# ASSEMBLY INSTRUCTION FOR SHELF

## STEP1-1



(L)  M6 6PCS

## STEP1-2

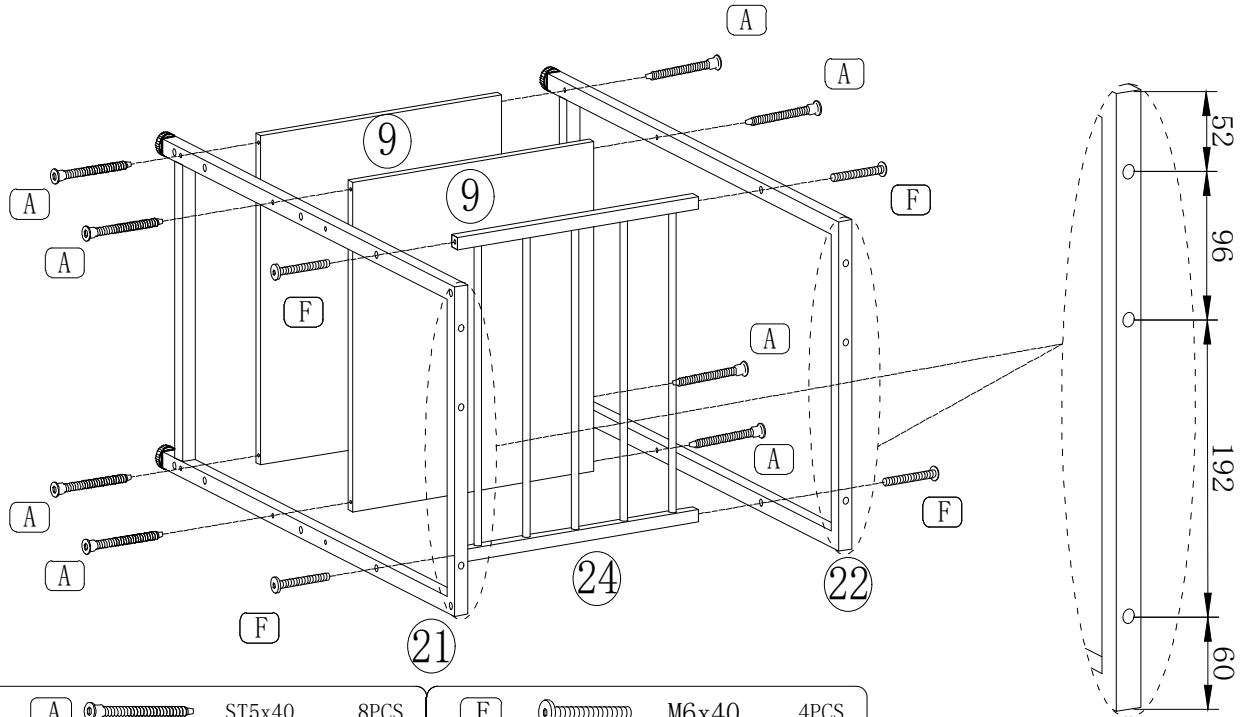



(B)  2PCS (K)  M3.5x12 4PCS

# ASSEMBLY INSTRUCTION FOR SHELF

## STEP1-3

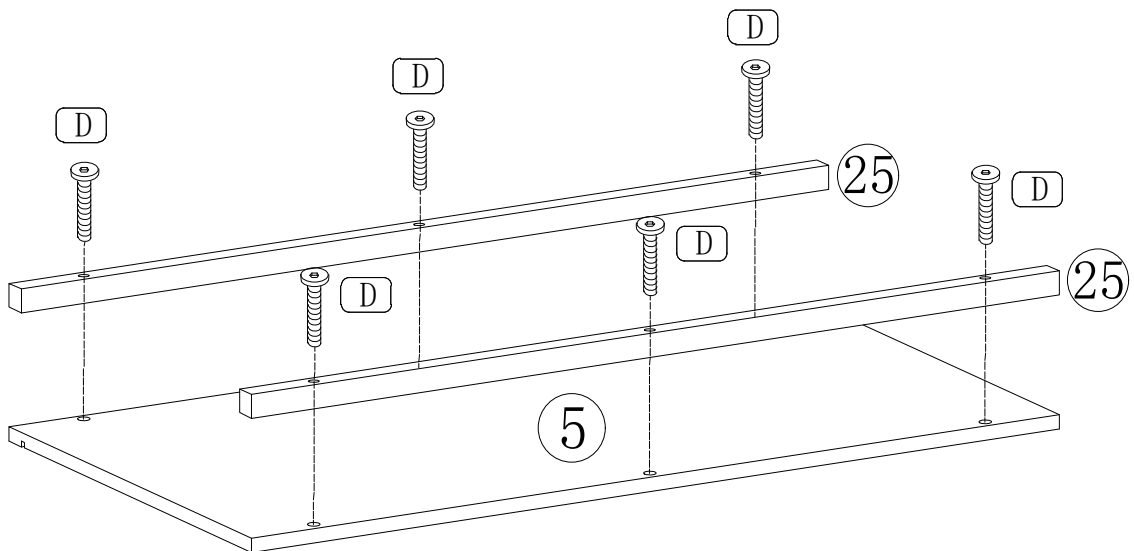
Pay attention to the direction of holes for components "21" and "22".



A  ST5x40 8PCS

F  M6x40 4PCS

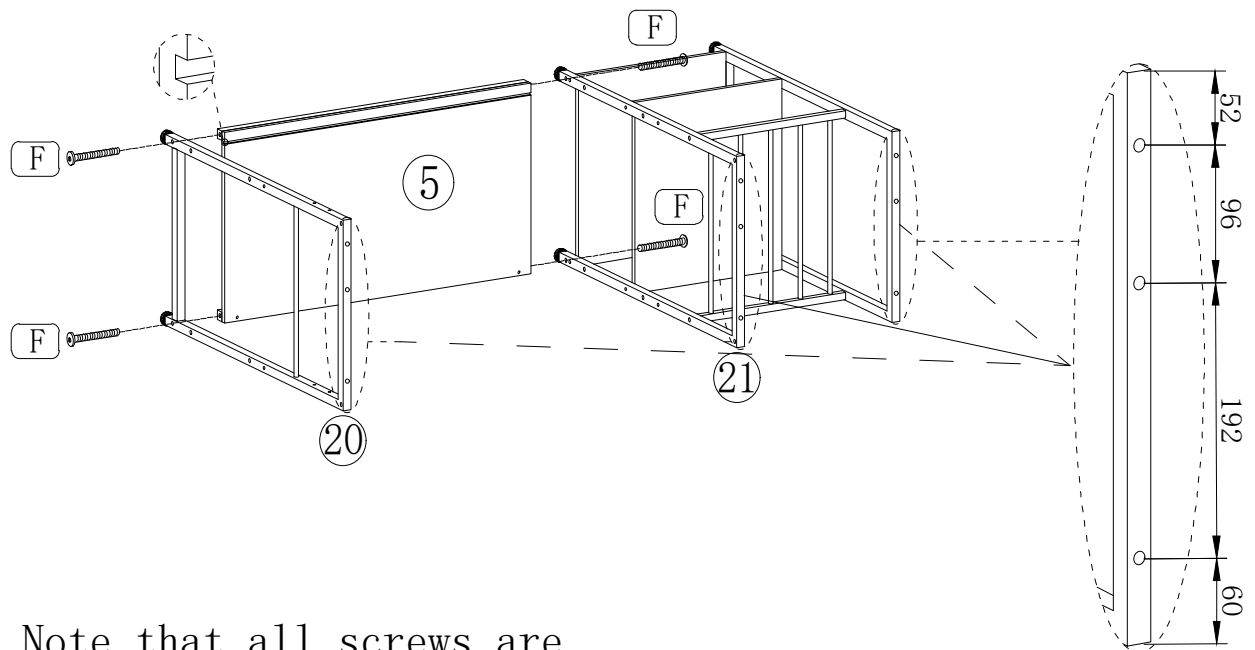
## STEP1-4



D  M6x25 6PCS

# ASSEMBLY INSTRUCTION FOR SHELF

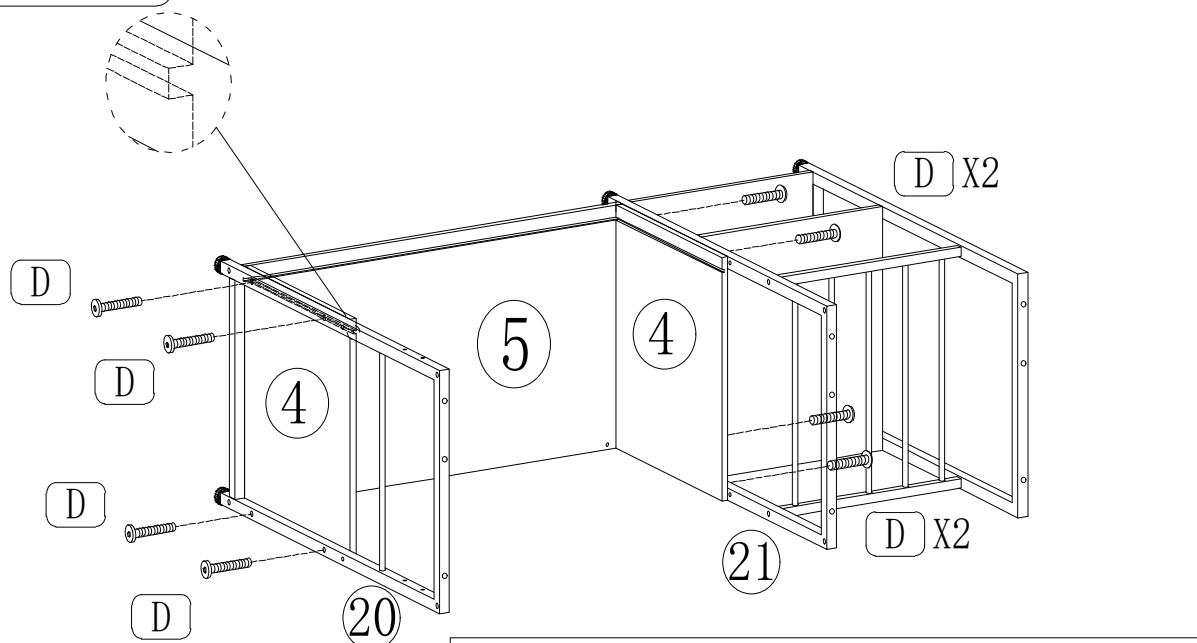
## STEP1-5



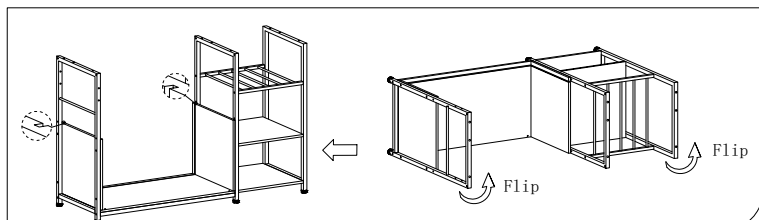
Note that all screws are not locked in this step.

**F**  M6x40 4PCS

## STEP1-6

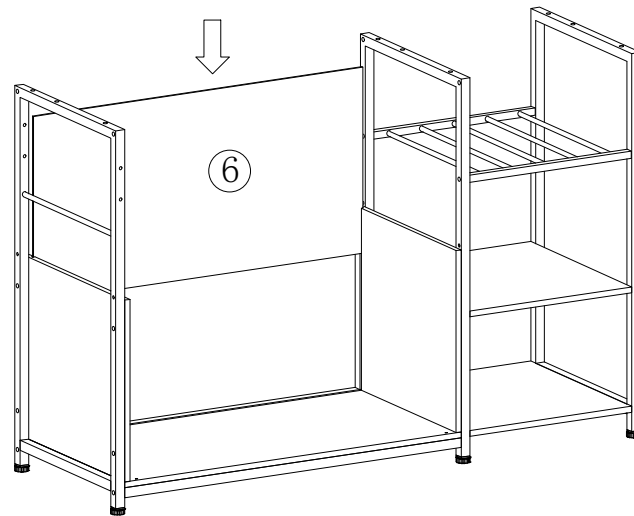


**D**  M6x25 8PCS

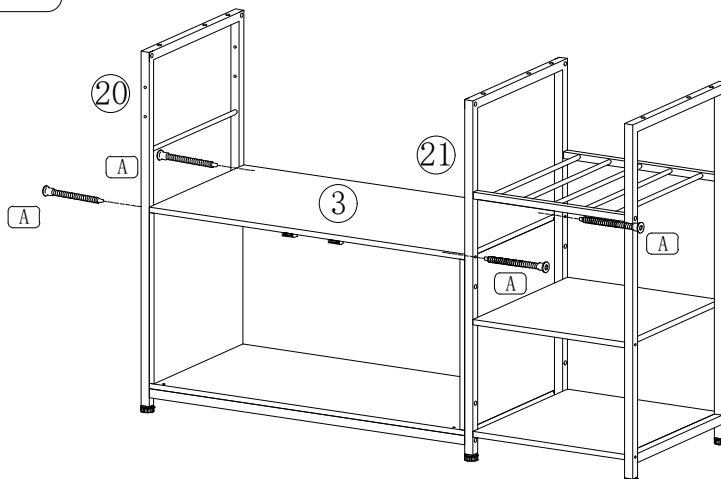


# ASSEMBLY INSTRUCTION FOR SHELF

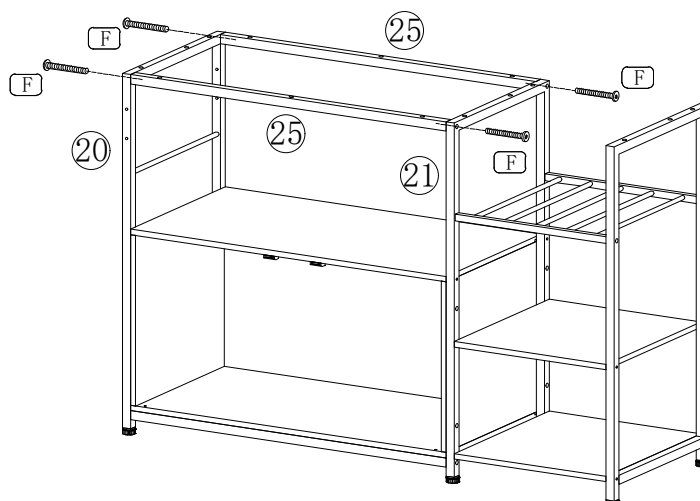
## STEP1-7

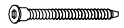


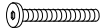
## STEP1-8



Note that this step will tighten all screws .



**A**  ST5x40 4PCS

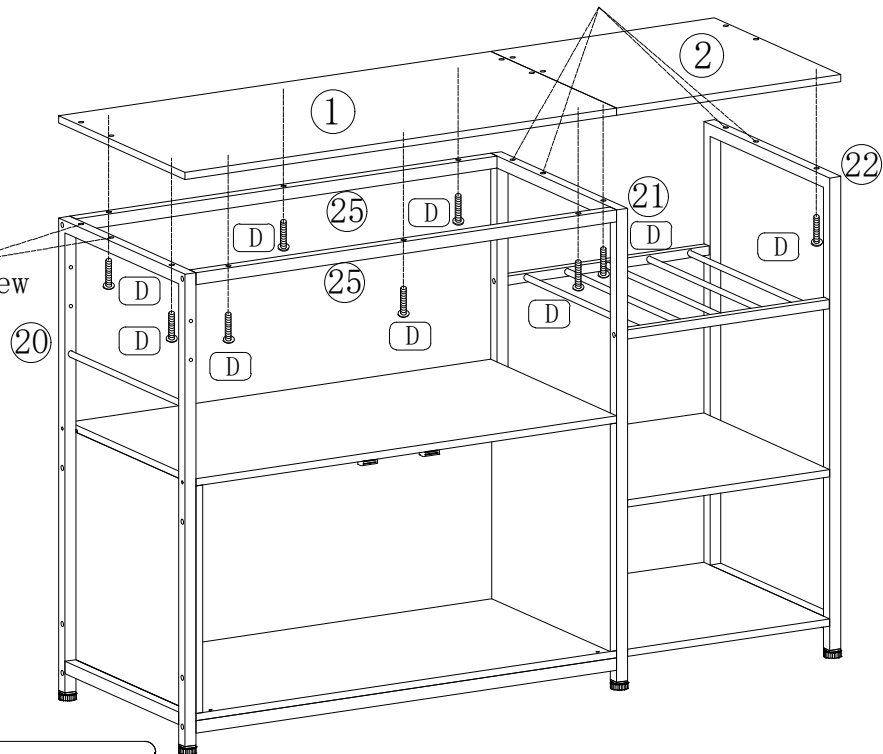
**F**  M6x40 4PCS

# ASSEMBLY INSTRUCTION FOR SHELF

## STEP1-9

This step does not screw

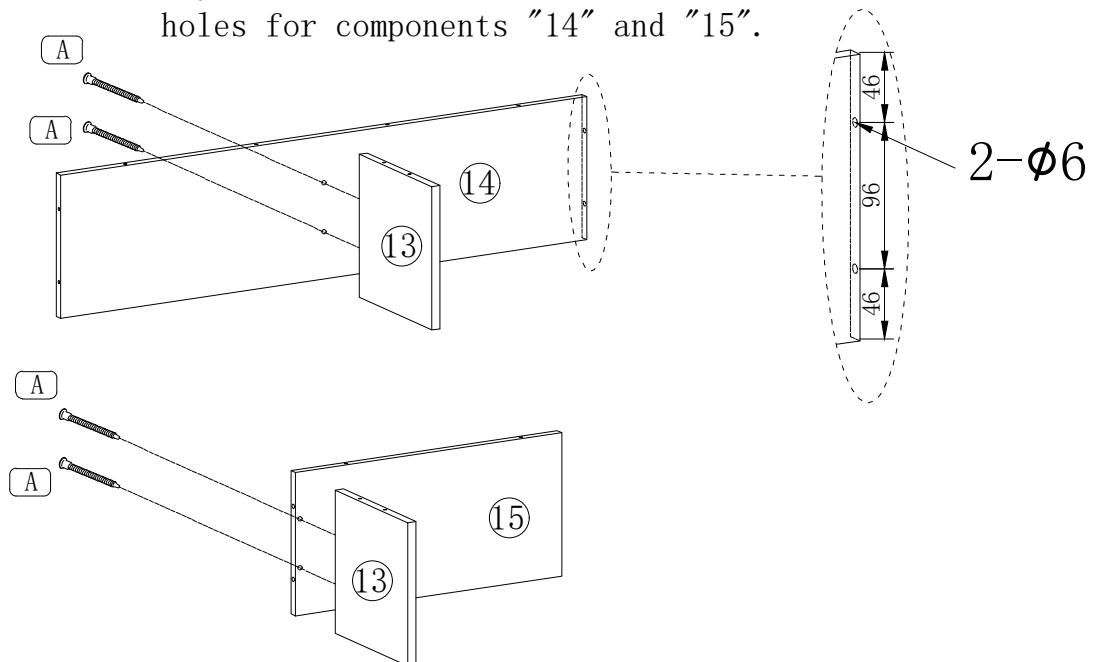
This step does not screw




D  M6x25 9PCS

## STEP1-10

Pay attention to the direction of holes for components "14" and "15".

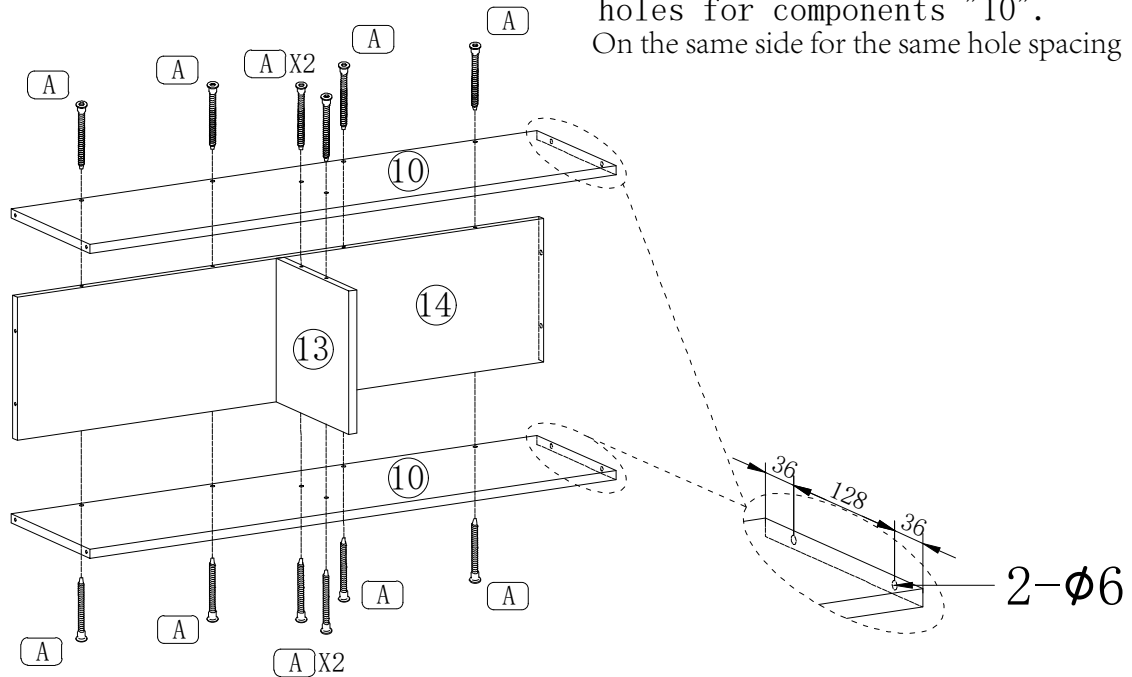


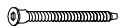
A  ST5x40 4PCS

# ASSEMBLY INSTRUCTION FOR SHELF

## STEP1-11

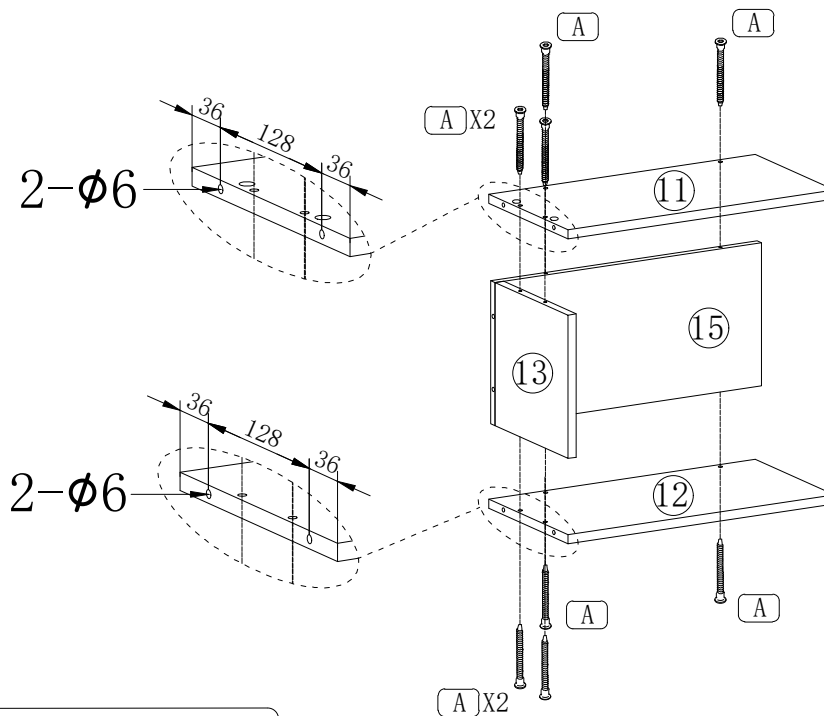
Pay attention to the direction of holes for components "10".  
On the same side for the same hole spacing



**A**  ST5x40 12PCS

## STEP1-12

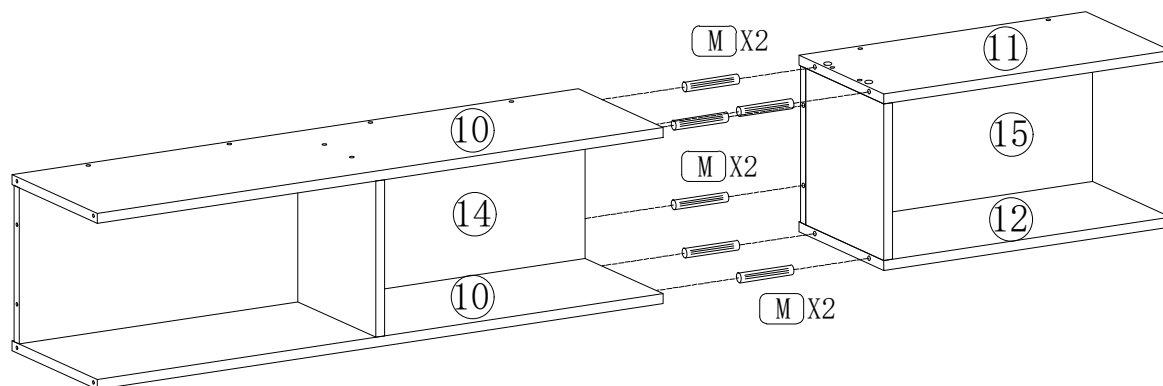
Pay attention to the direction of holes for components "11" and "12".  
On the same side for the same hole spacing



**A**  ST5x40 8PCS

# ASSEMBLY INSTRUCTION FOR SHELF

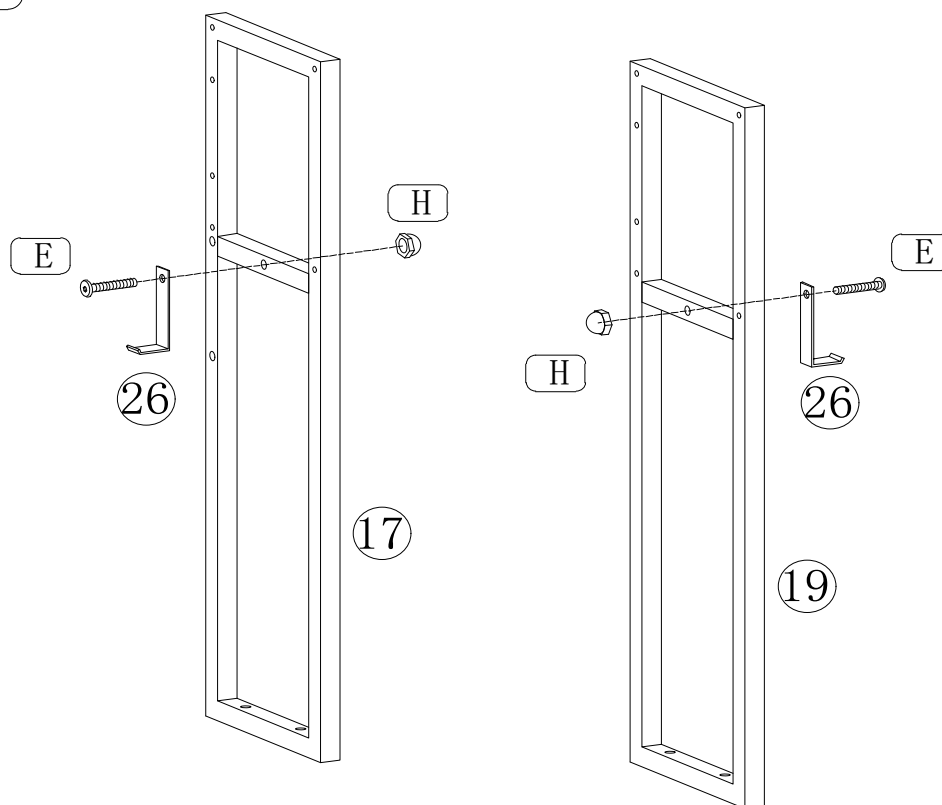
## STEP1-13

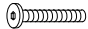


The side of the two components with the smaller hole spacing is joined together with a wooden dowel

M  M6x30 6PCS

## STEP1-14

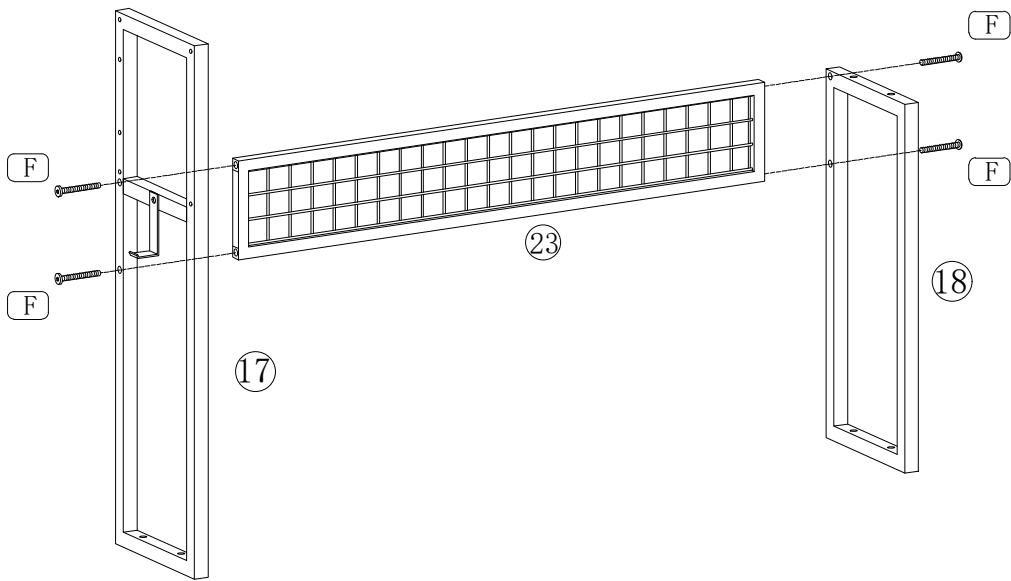


E  M6x30 2PCS

H  M6 2PCS

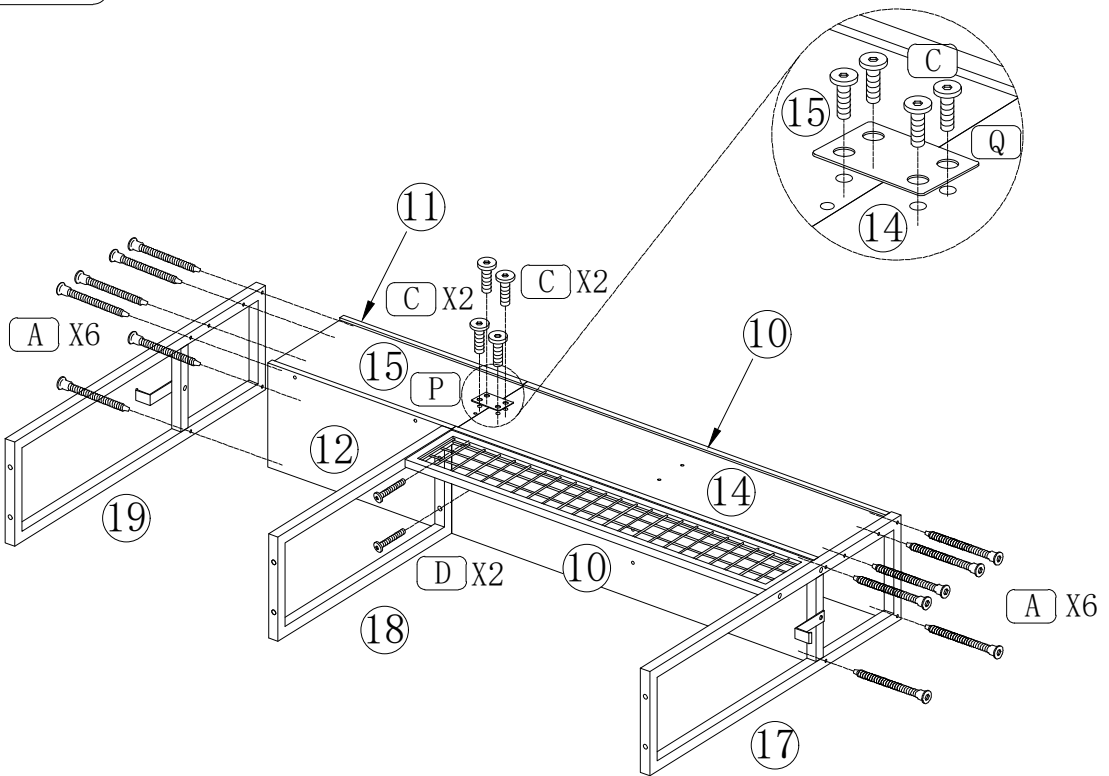
# ASSEMBLY INSTRUCTION FOR SHELF


STEP1-15



(F)  M6x40 4PCS

STEP1-16



(A)  ST5x40 12PCS

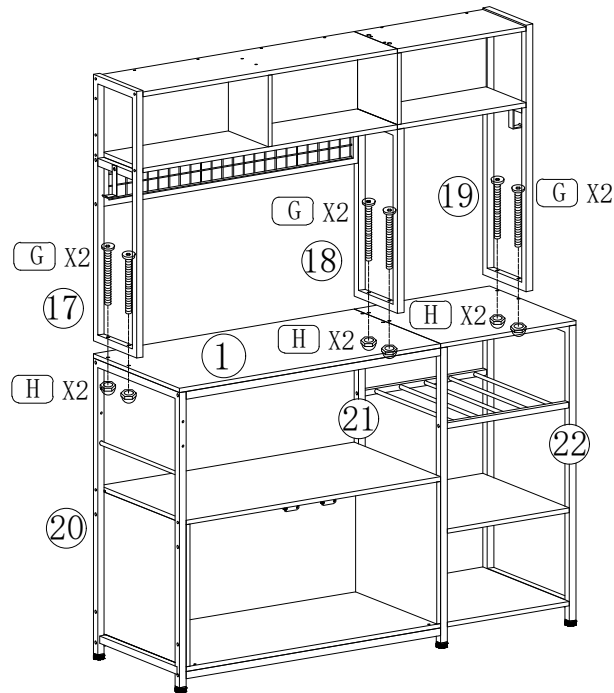
(C)  M6x10 4PCS

(D)  M6x25 2PCS

(P)  1PC

# ASSEMBLY INSTRUCTION FOR SHELF

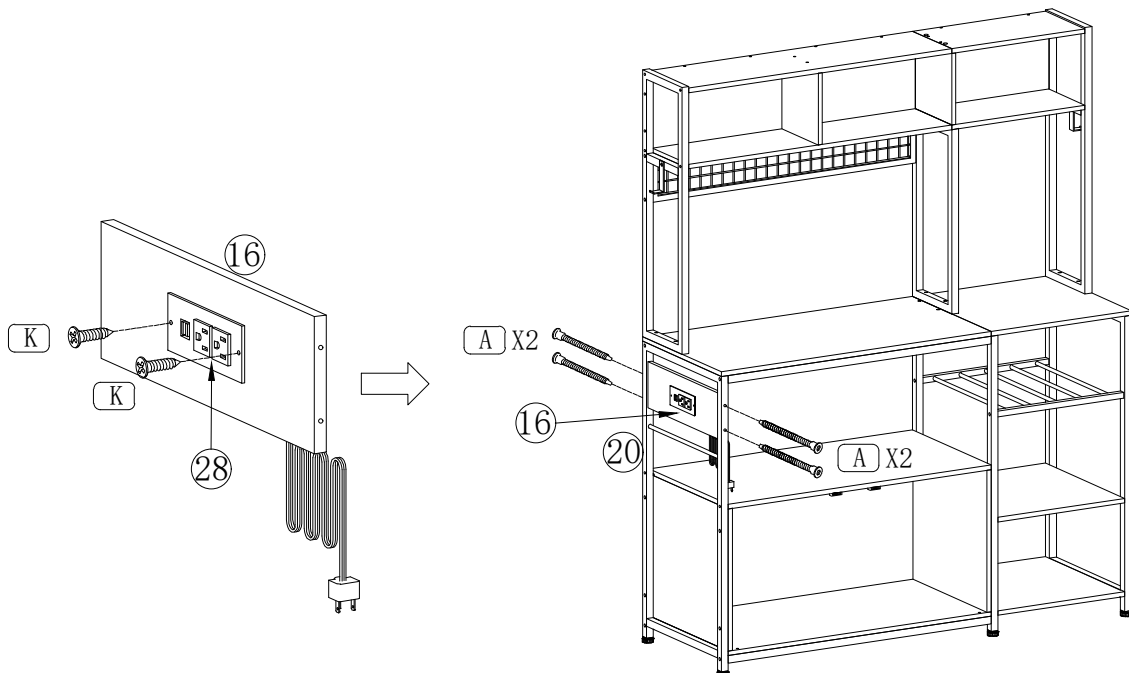
## STEP1-17




**G**  M6x60 6PCS

**H**  M6 6PCS

## STEP1-18



**A**  ST5x40 4PCS

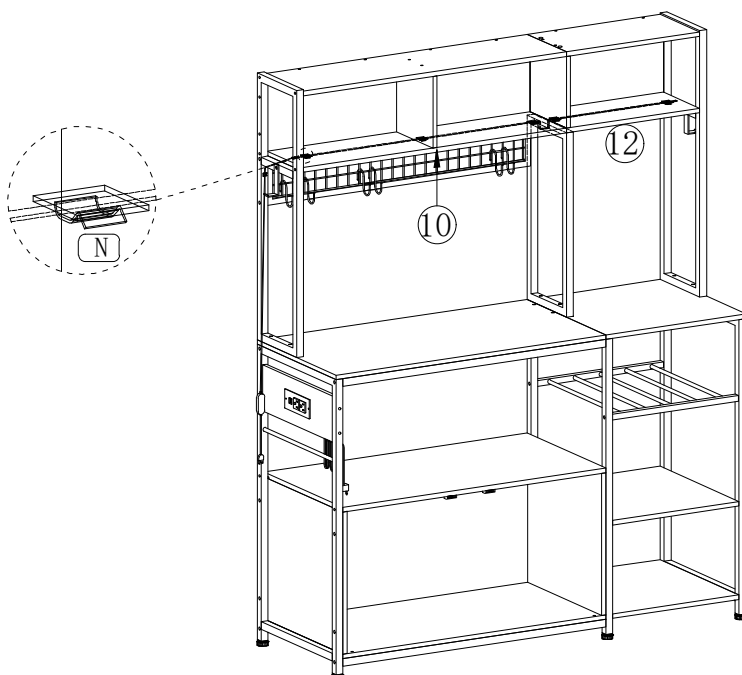
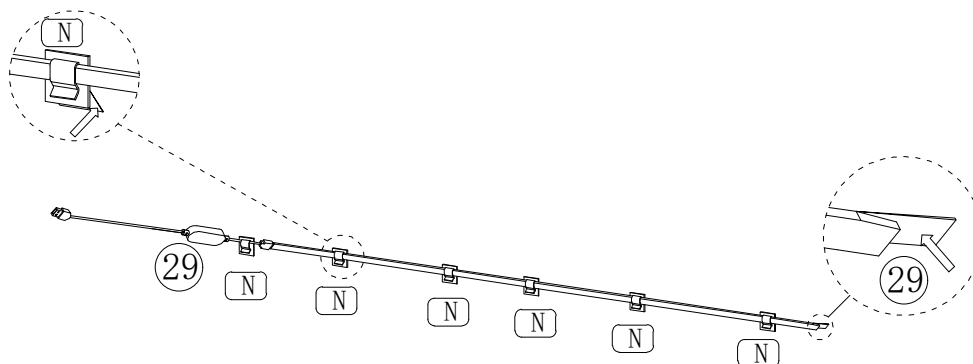
**K**  M3.5x12 2PCS



# ASSEMBLY INSTRUCTION FOR SHELF

STEP1-20

Carefully remove the plastic film on the back of the transparent buckle and the light belt, place the light belt in the transparent buckle slot, and secure the light belt. Then paste the light belt and the transparent buckle to the required positions.

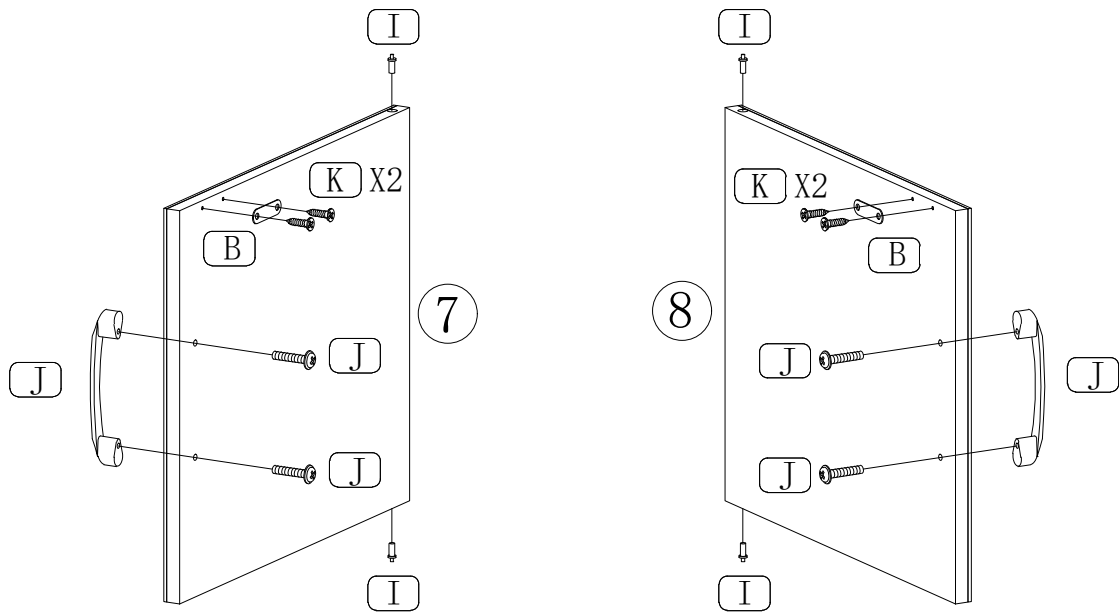


N



6PCS

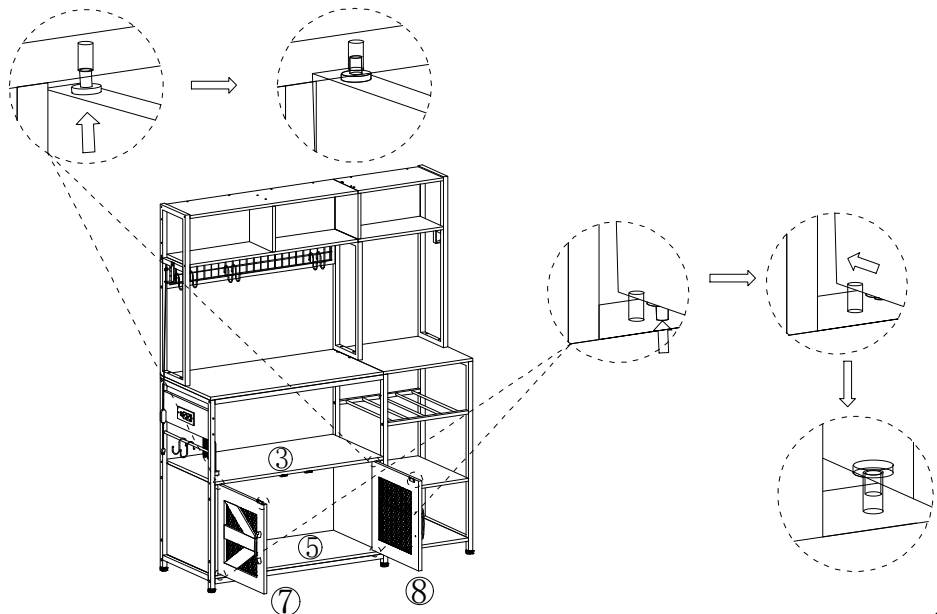
STEP1-21



B  2PCS 
 I  4PCS 
 J  M4x18 2PCS/4PCS 
 K  M3.5x12 4PCS

STEP1-22

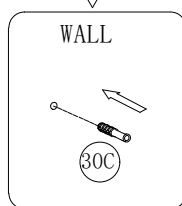
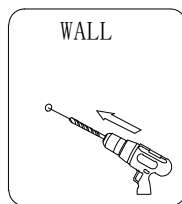
When installing the door panel, first install the bottom H connector into the holes corresponding to Component "3", then press down the end of the upper H connector until the door panel can be easily pushed into the hole corresponding to Component "6", and release the hand to make the connector H bounce up.



# ASSEMBLY INSTRUCTION FOR FILE CABINET

STEP1-23

WALL



30A



195L 2PCS

30B

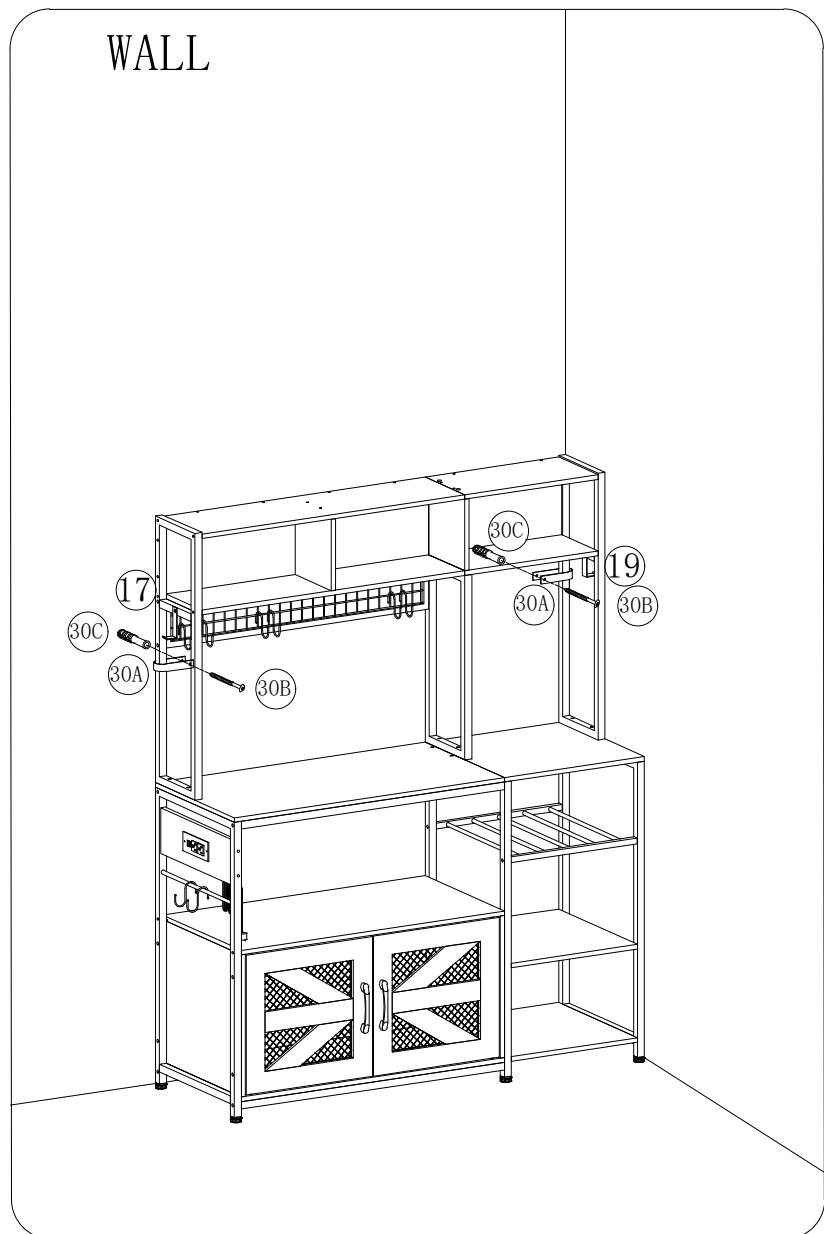


ST4x40 2PCS

30C

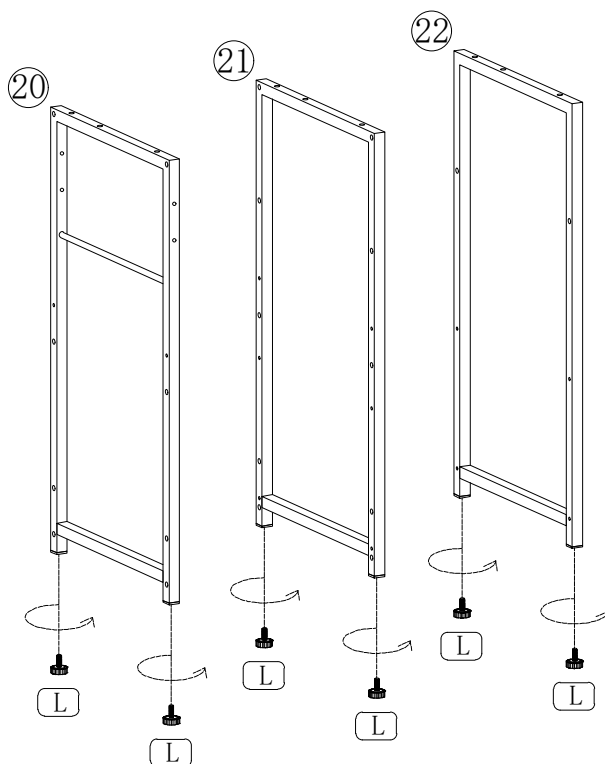


Ø8x35 2PCS



# ASSEMBLY INSTRUCTION FOR SHELF

## STEP2-1



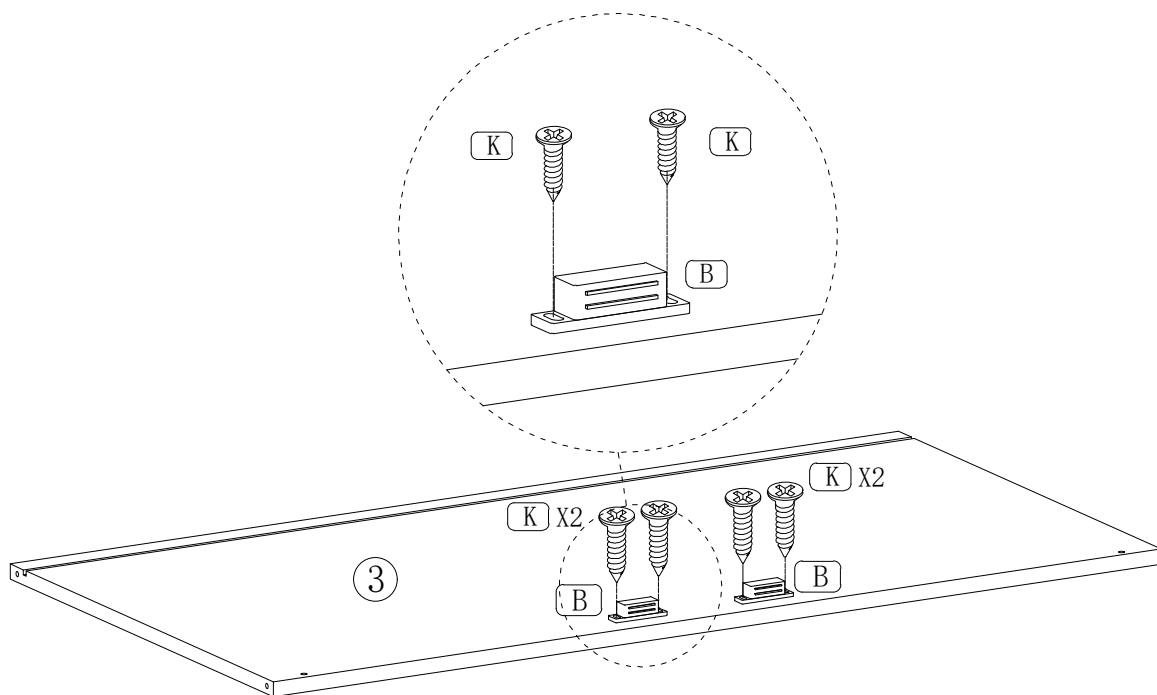
L



M6

6PCS

## STEP2-2



B



2PCS

K

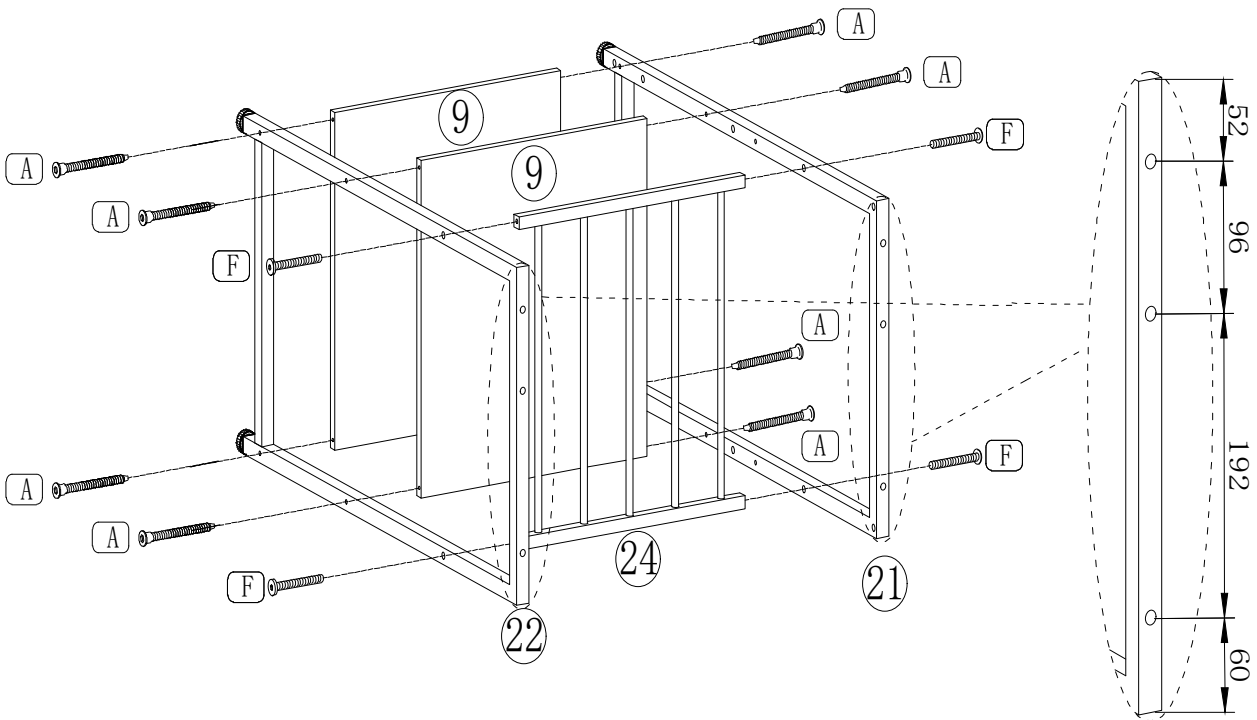



M3.5x12 4PCS

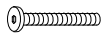
# ASSEMBLY INSTRUCTION FOR SHELF

STEP2-3

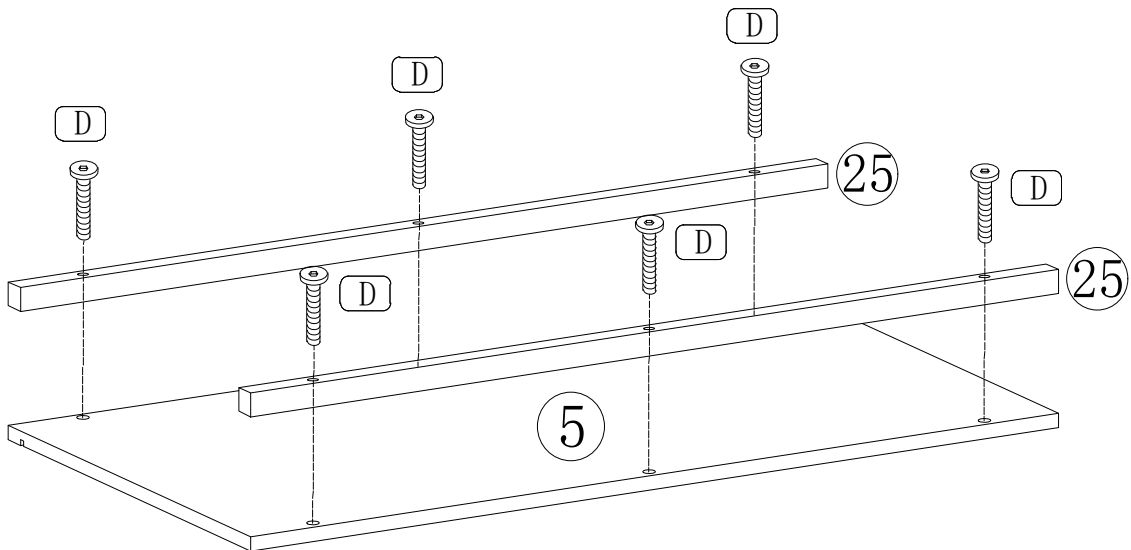
Pay attention to the direction of holes for components "21" and "22".



A  ST5x40 8PCS

F  M6x40 4PCS

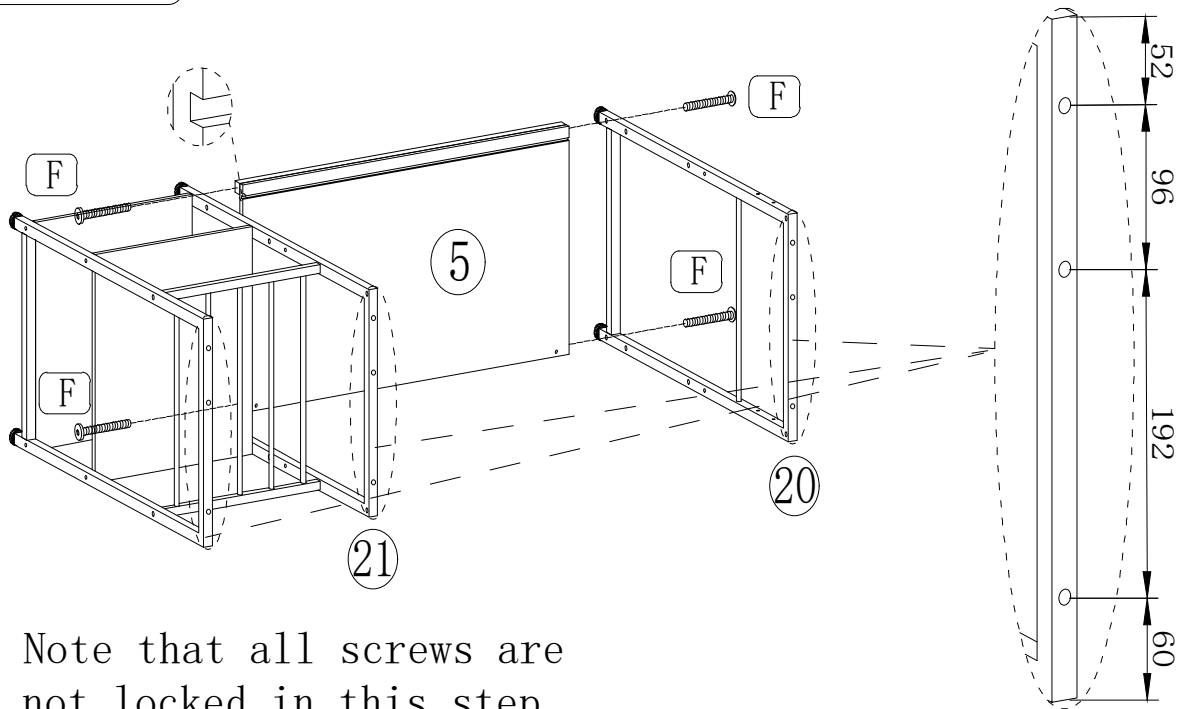
STEP2-4

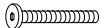


D  M6x25 6PCS

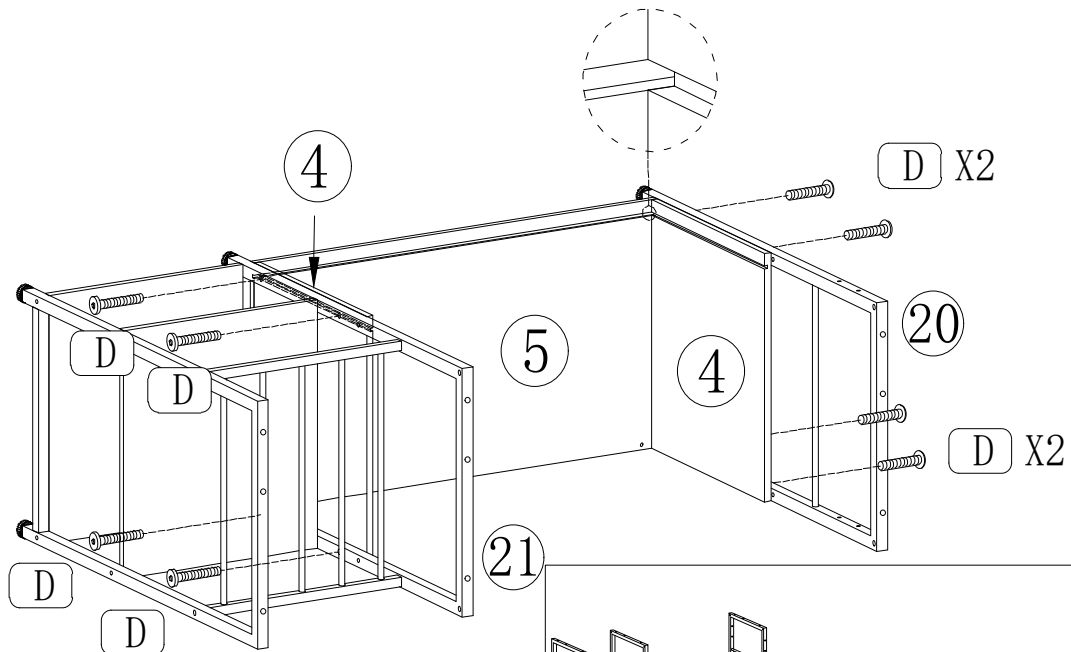
# ASSEMBLY INSTRUCTION FOR SHELF

## STEP2-5

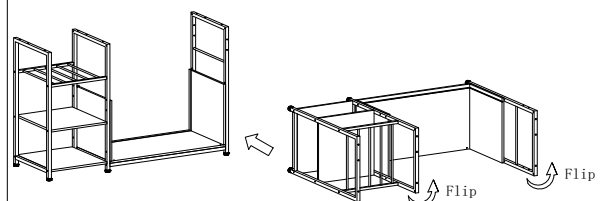


(F)  M6x40 4PCS

## STEP2-6

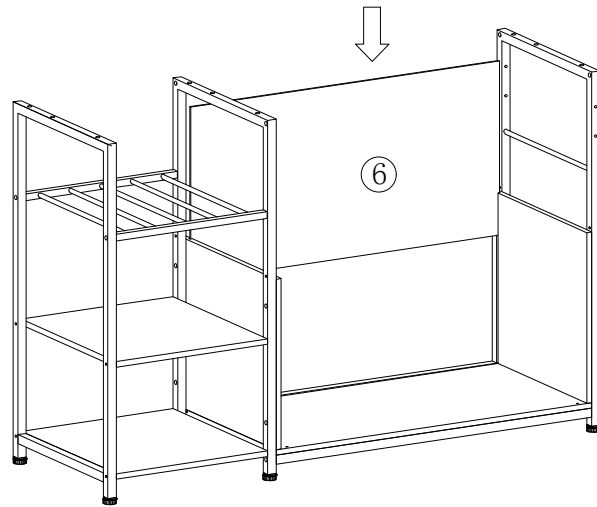


(D)  M6x25 8PCS

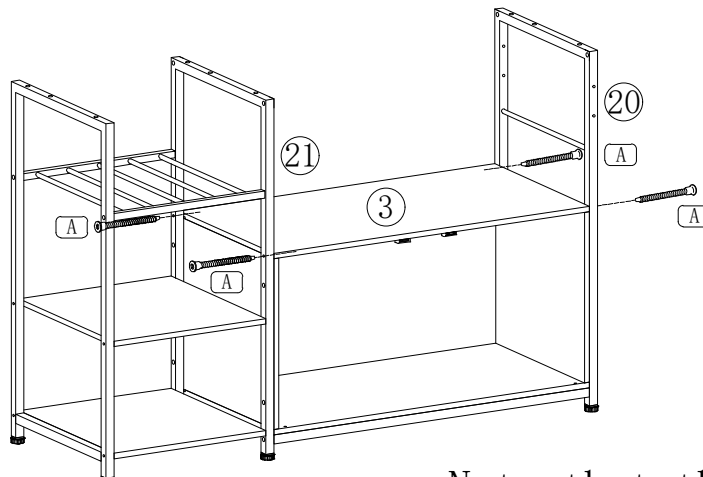


# ASSEMBLY INSTRUCTION FOR SHELF

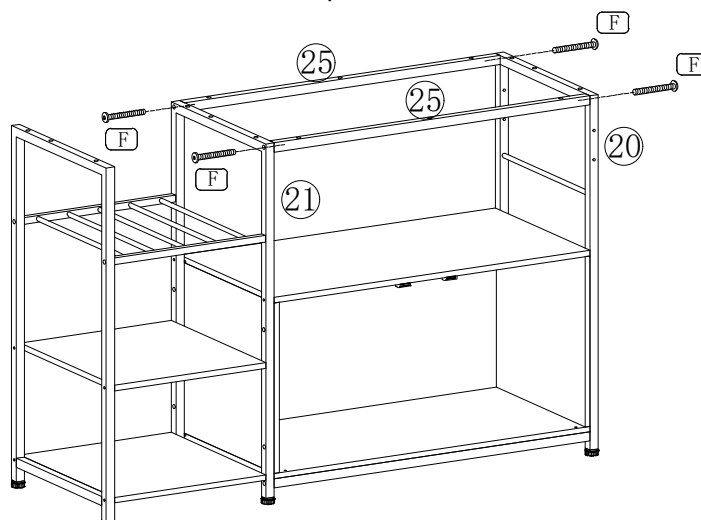
STEP2-7

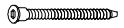


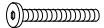
STEP2-8



Note that this step will tighten all screws .

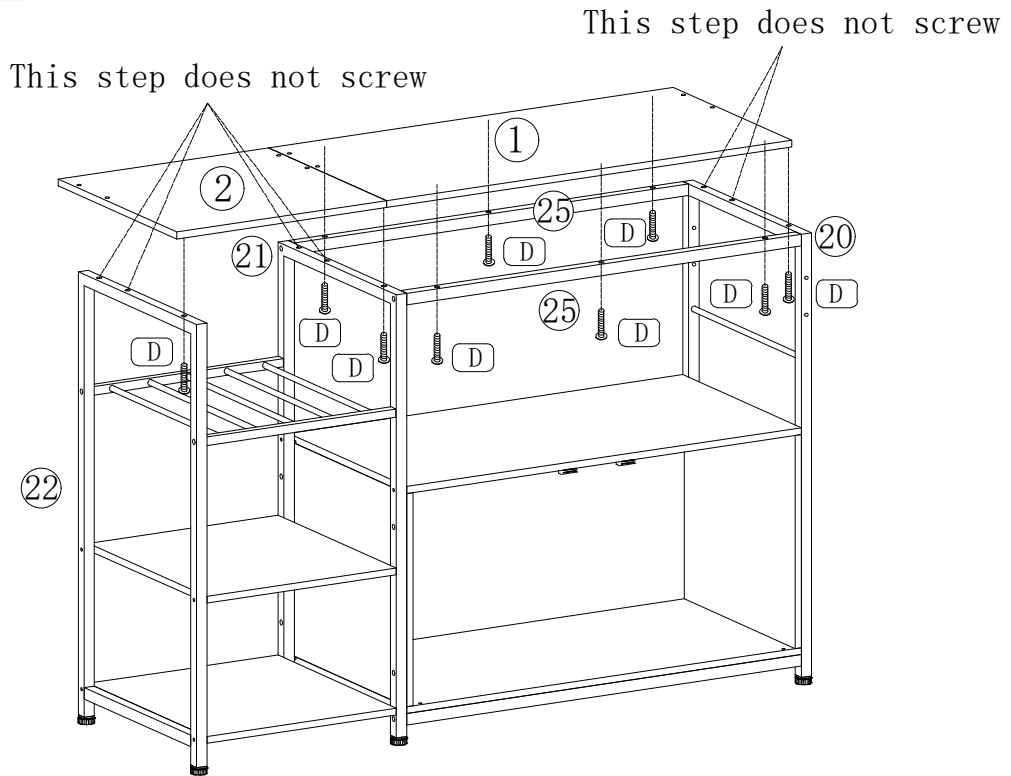


**A**  ST5x40 4PCS

**F**  M6x40 4PCS

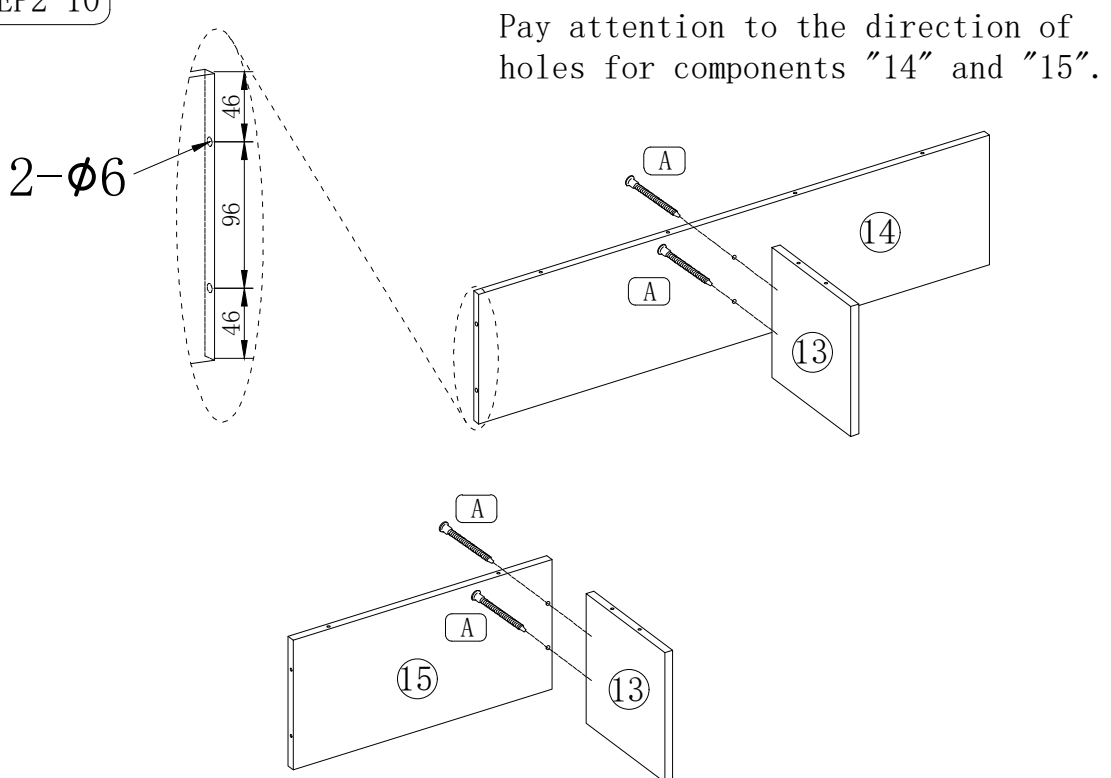
# ASSEMBLY INSTRUCTION FOR SHELF


## STEP2-9



D  M6x25 9PCS

## STEP2-10

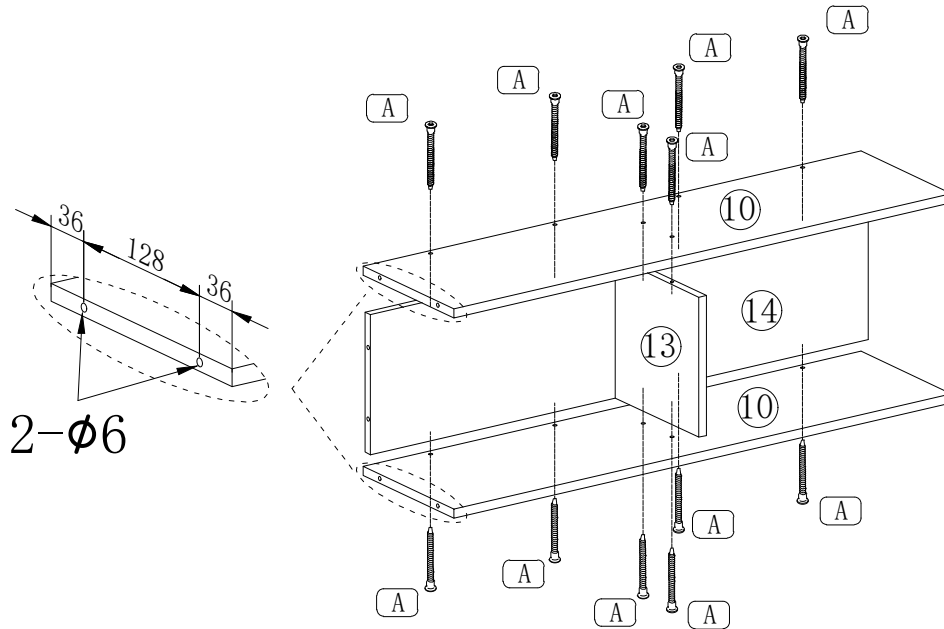


A  ST5x40 4PCS

# ASSEMBLY INSTRUCTION FOR SHELF

## STEP2-11

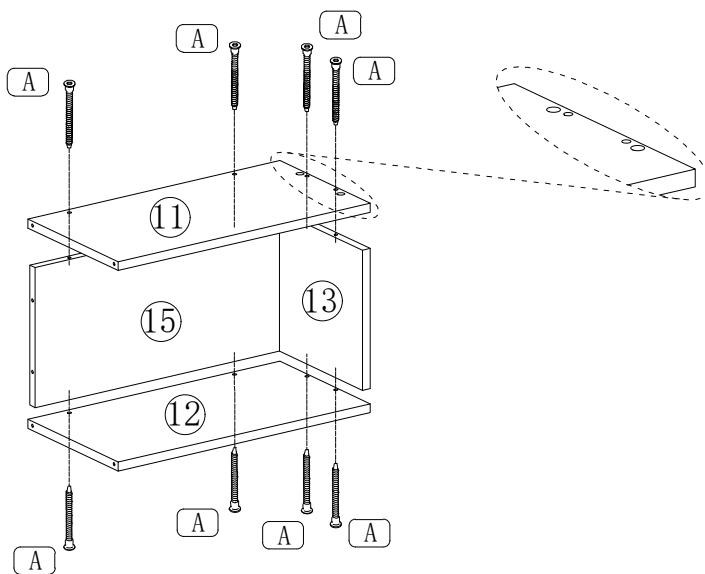
Pay attention to the direction of holes for components "10".  
On the same side for the same hole spacing



(A) ST5x40 12PCS

## STEP2-12

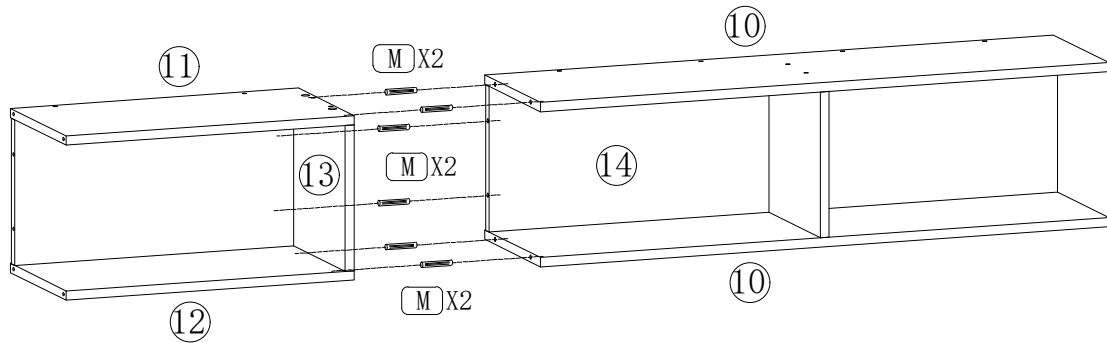
Pay attention to the direction of holes for components "11" and "12".  
On the same side for the same hole spacing



(A) ST5x40 8PCS

# ASSEMBLY INSTRUCTION FOR SHELF

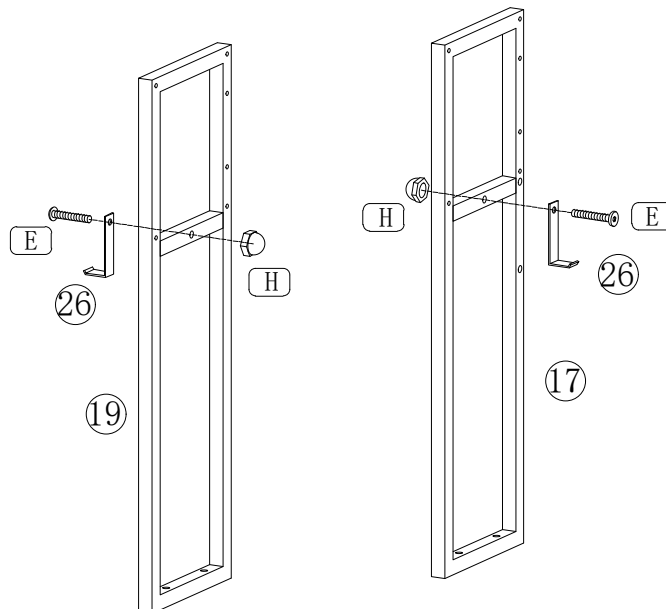
## STEP2-13



The side of the two components with the smaller hole spacing is joined together with a wooden dowel

**M**  M6x30 6PCS

## STEP2-14

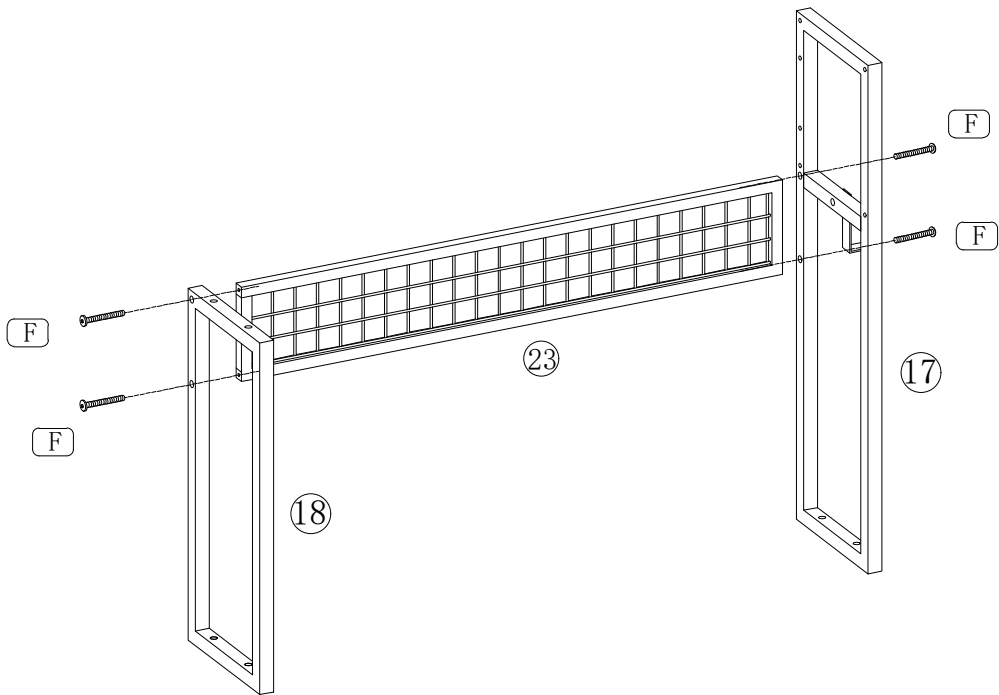


**E**  M6x30 2PCS

**H**  M6 2PCS

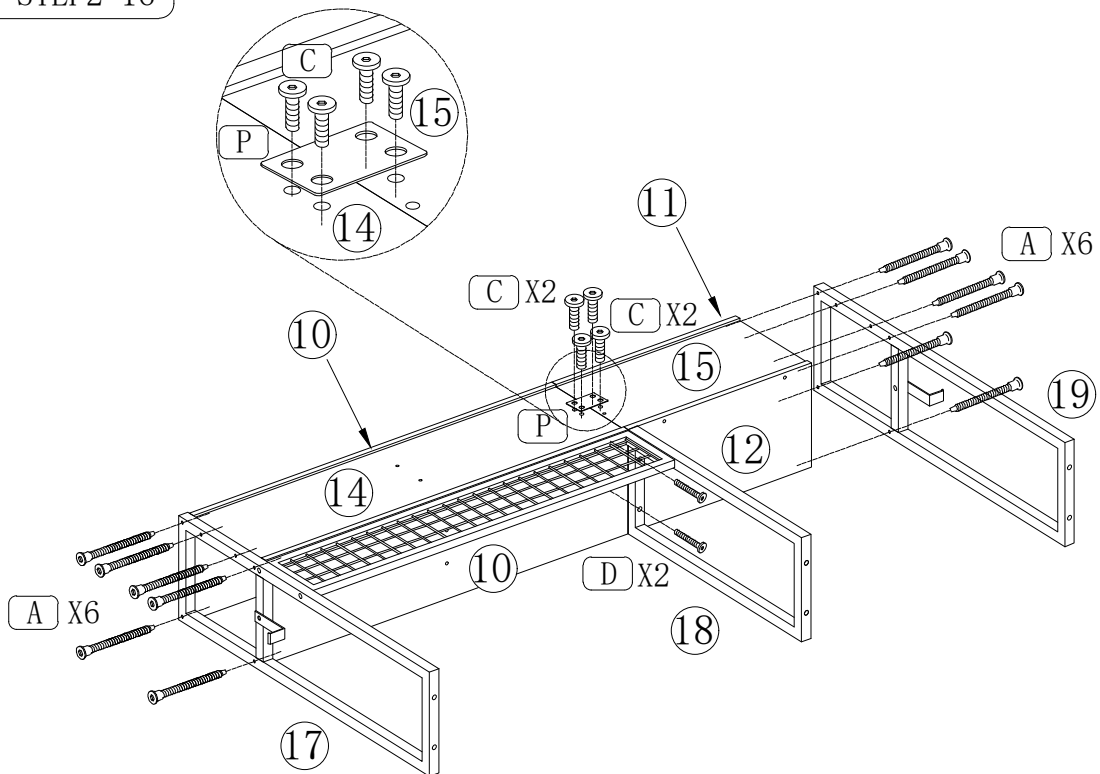
# ASSEMBLY INSTRUCTION FOR SHELF


STEP2-15



**F**  M6x40 4PCS

STEP2-16



**A**  ST5x40 12PCS

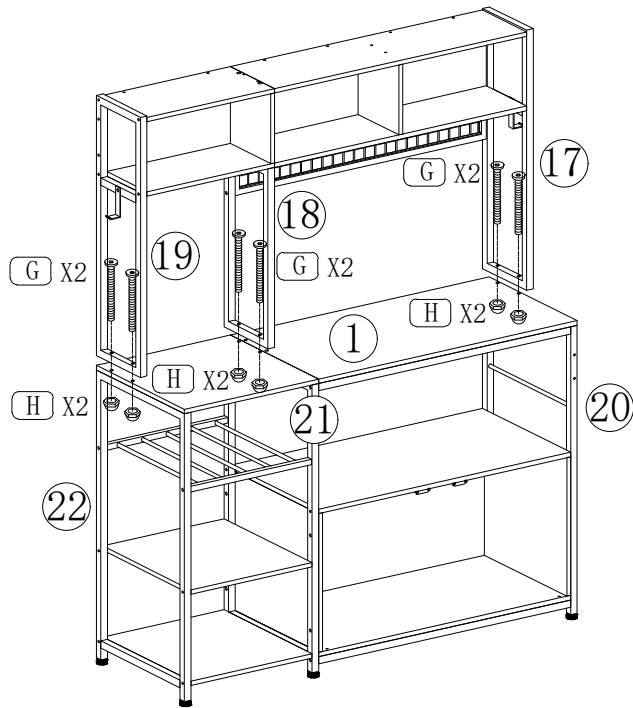
**C**  M6x10 4PCS

**D**  M6x25 2PCS

**P**  1PC

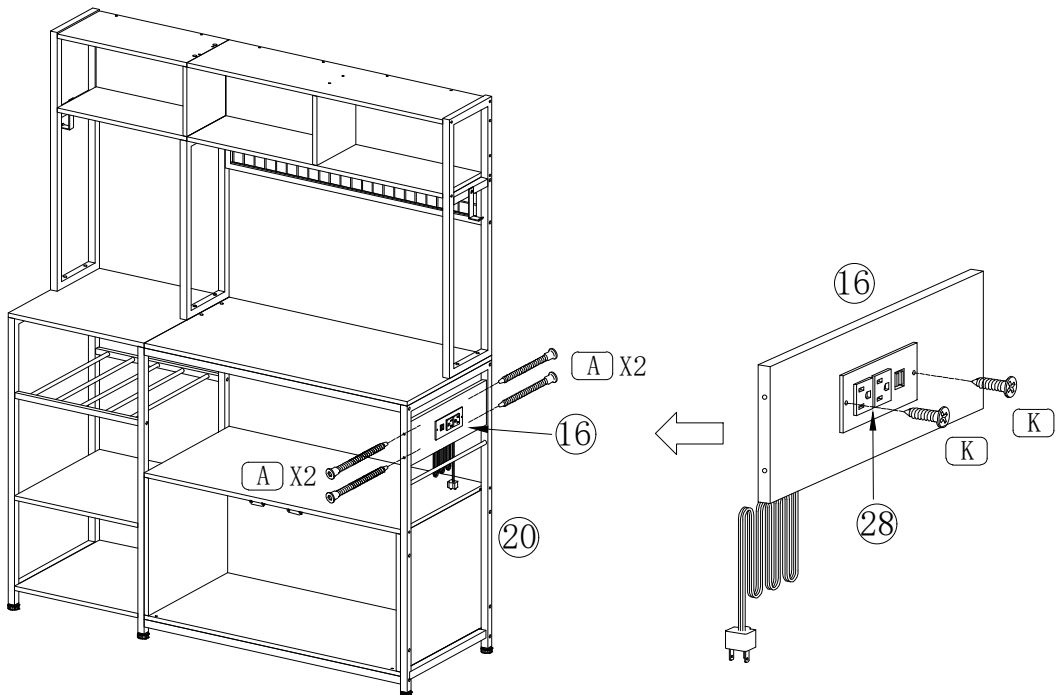
# ASSEMBLY INSTRUCTION FOR SHELF

## STEP2-17



- |          |   |       |      |          |   |    |      |
|----------|---|-------|------|----------|---|----|------|
| <b>G</b> |  | M6x60 | 6PCS | <b>H</b> |  | M6 | 6PCS |
|----------|---|-------|------|----------|---|----|------|

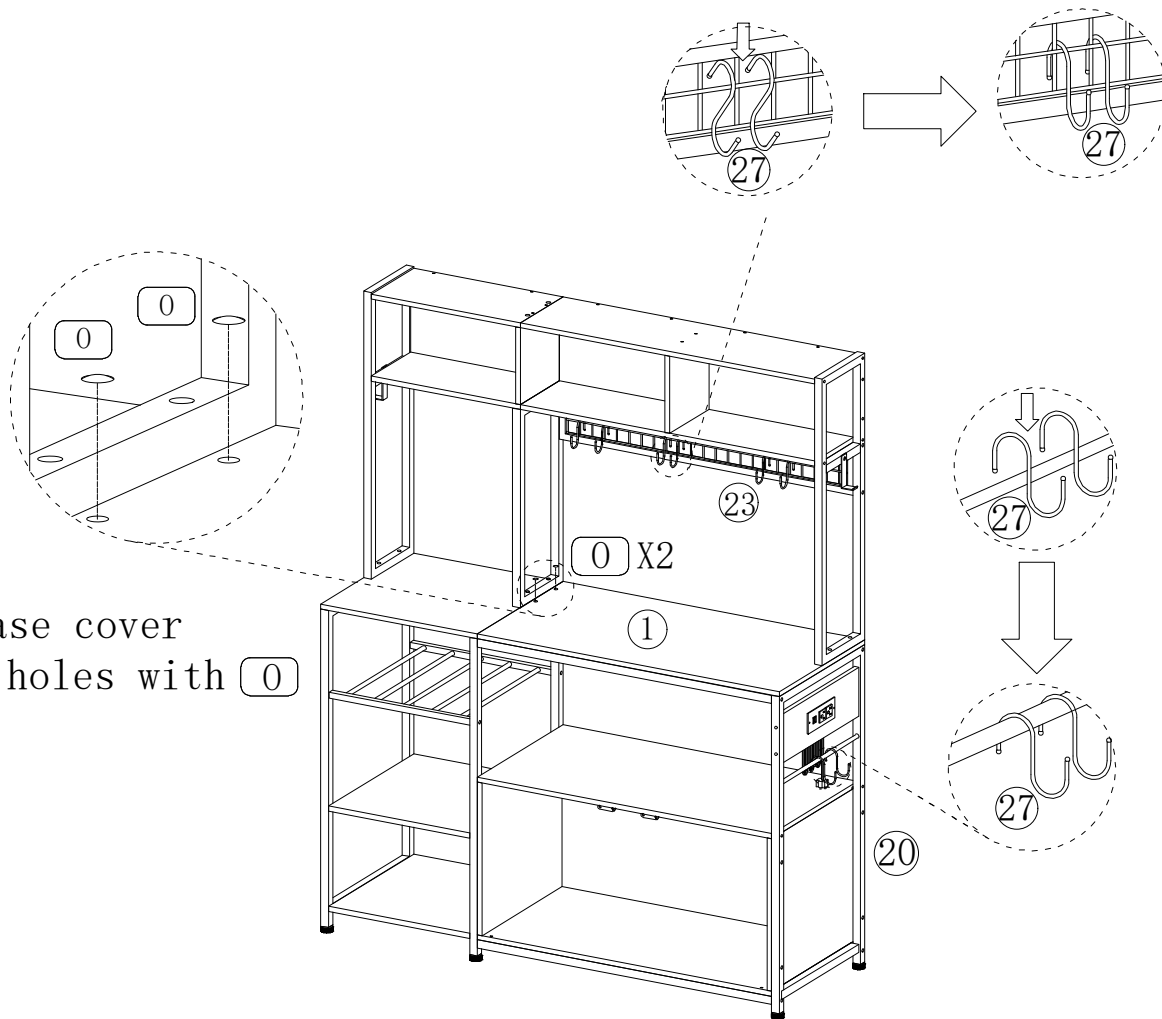
## STEP2-18



- |          |   |        |      |          |   |         |      |
|----------|---|--------|------|----------|---|---------|------|
| <b>A</b> |  | ST5x40 | 4PCS | <b>K</b> |  | M3.5x12 | 2PCS |
|----------|---|--------|------|----------|---|---------|------|

# ASSEMBLY INSTRUCTION FOR SHELF

STEP2-19



Please cover  
the holes with 0

0



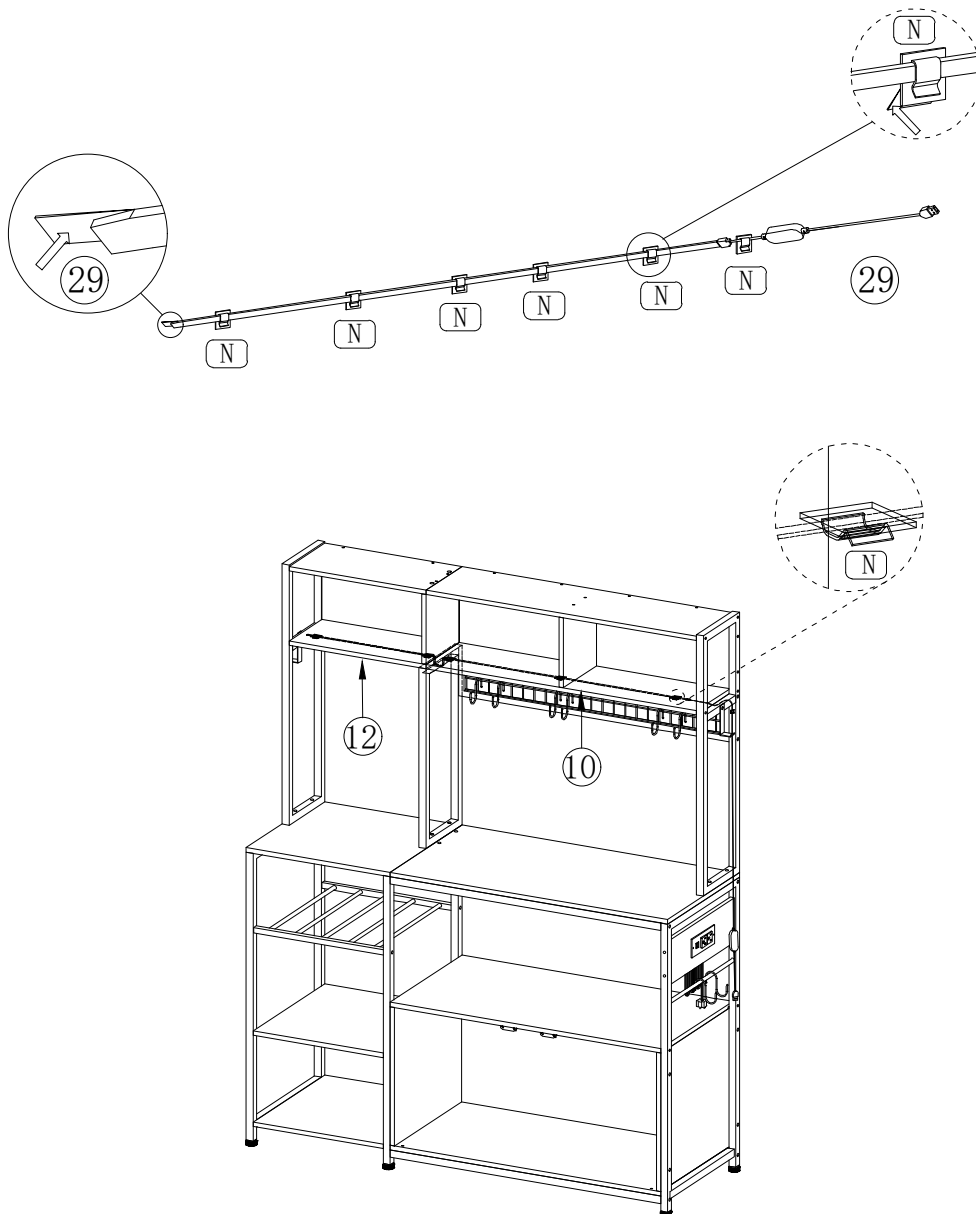
ø12

2PCS

# ASSEMBLY INSTRUCTION FOR SHELF

## STEP2-20

Carefully remove the plastic film on the back of the transparent buckle and the light belt, place the light belt in the transparent buckle slot, and secure the light belt. Then paste the light belt and the transparent buckle to the required positions.



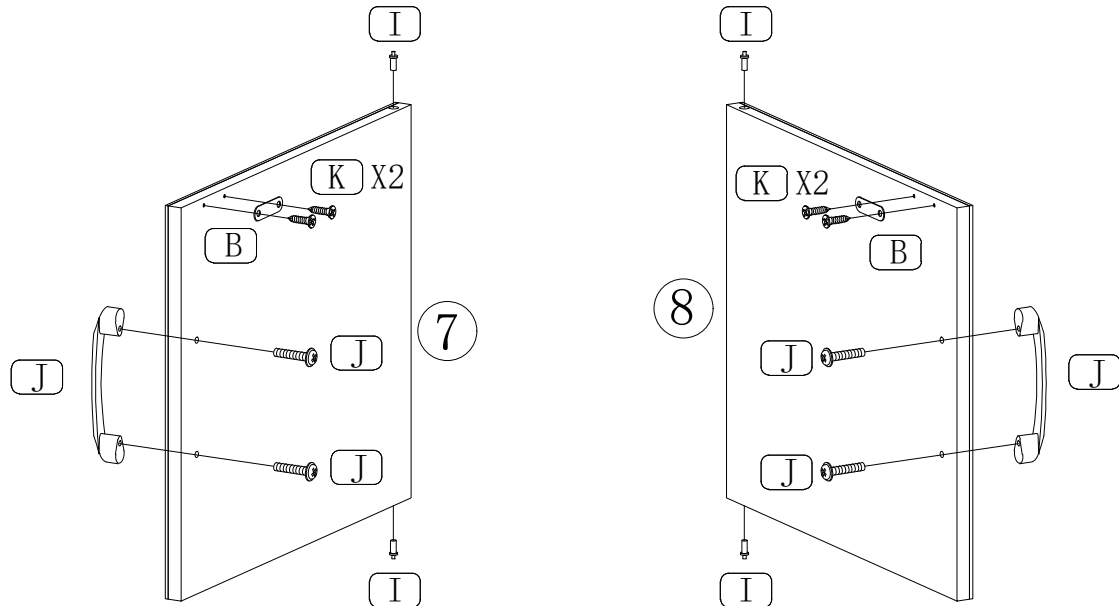
(N)



6PCS

# ASSEMBLY INSTRUCTION FOR SHELF

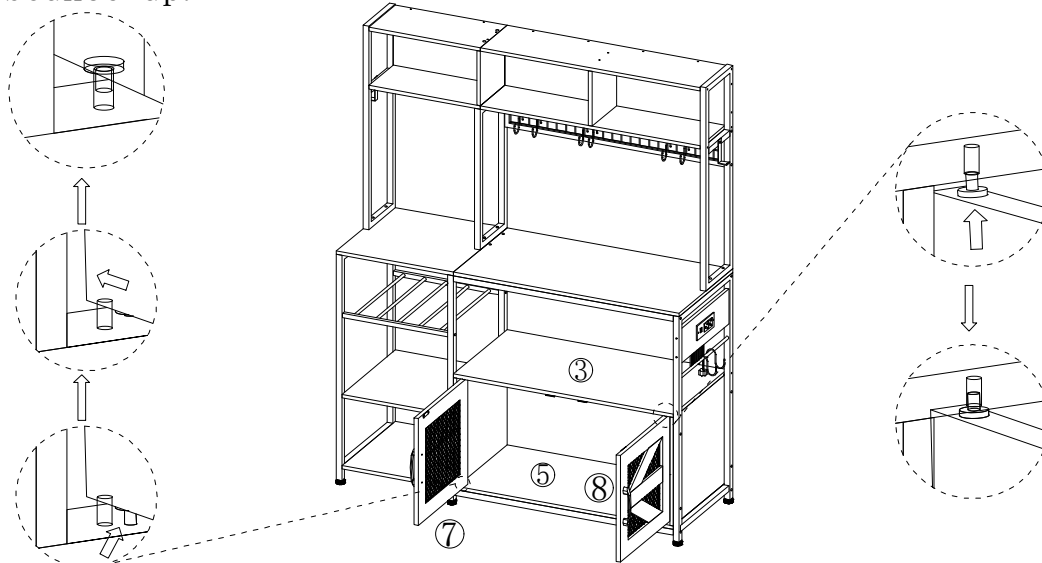
## STEP2-21



B  2PCS  
 I  4PCS  
 J  M4x18 2PCS/4PCS  
 K  M3.5x12 4PCS

## STEP2-22

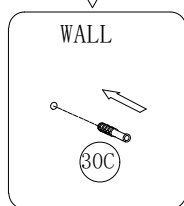
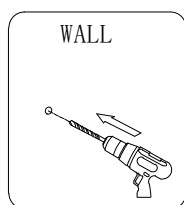
When installing the door panel, first install the bottom H connector into the holes corresponding to Components "3", then press down the end of the upper H connector until the door panel can be easily pushed into the hole corresponding to Component "6", and release the hand to make the connector H bounce up.



# ASSEMBLY INSTRUCTION FOR SHELF

STEP2-23

WALL

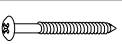


30A



195L 2PCS

30B



ST4x40 2PCS

30C



Ø8x35 2PCS

