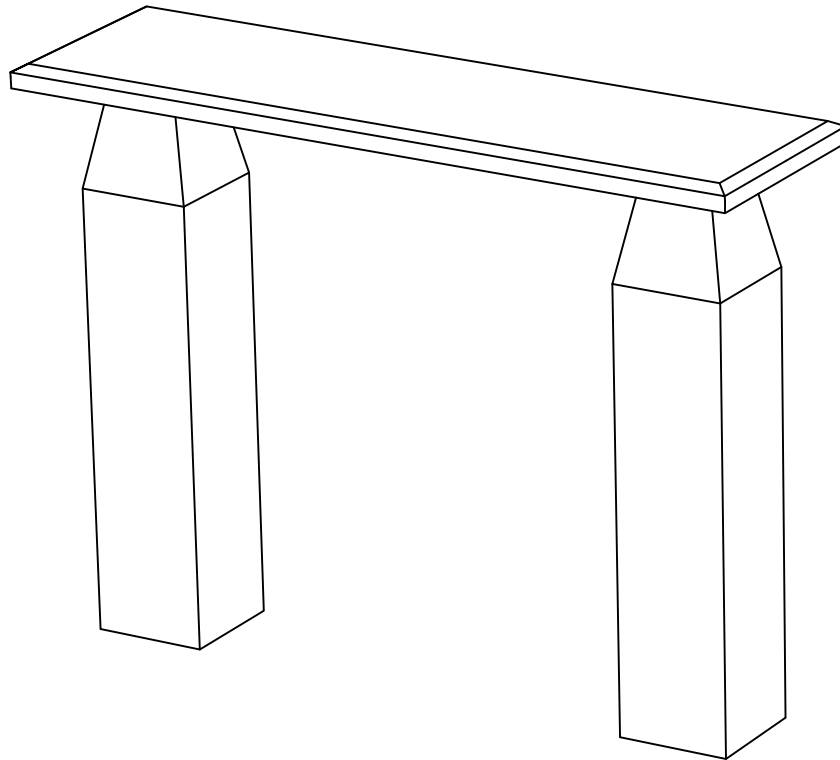


ASSEMBLY INSTRUCTIONS

Console Table



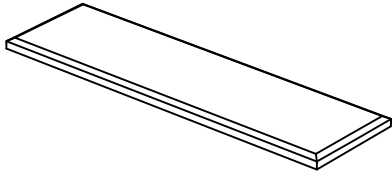
NOTE TO CUSTOMERS:

- For ease and speed of assemble we recommend that before you commence each step of the assembly that you identify all the parts required to complete that step.
- We recommend that where possible you allow sufficient space to assemble the item as close as possible to the place where it will be once assembled.
- For the protection of your furniture we recommend that the product is placed on protected surfaces during assembly to prevent any damage.
- During assembly do not over tighten, as this may damage the product.
- Please ensure you retain all the product packaging until the item completely assembled.
- Please periodically check all fittings and re-tighten as necessary.
- Please never allow any liquids to remain on your furniture as absorption can cause the wood to warp or the finish to de-laminate.
- It is recommended that this item should be assembled by two adults.

Part List

A1.

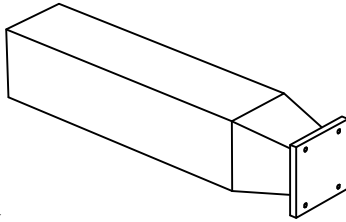
Qty:1



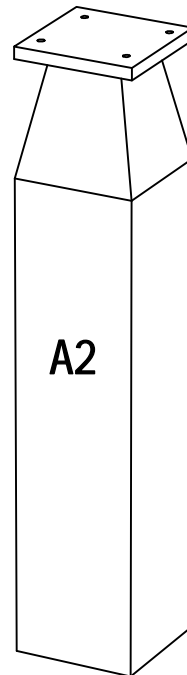
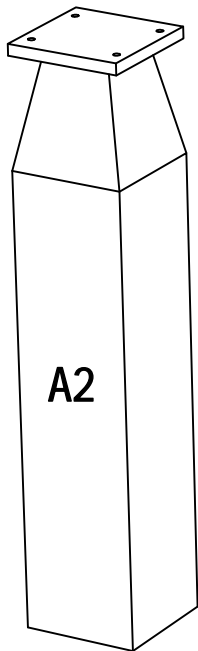
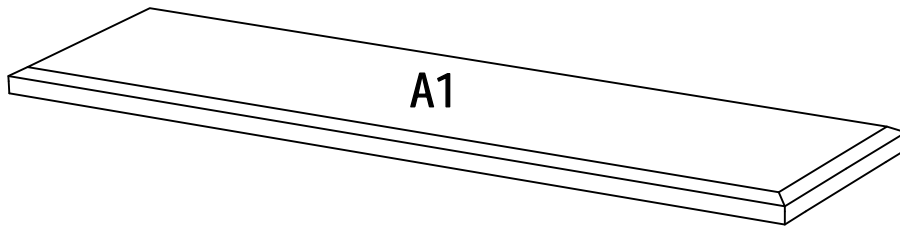
Top Panel

A2.

Qty:2



Leg



Hardware List

B1.
8SETS

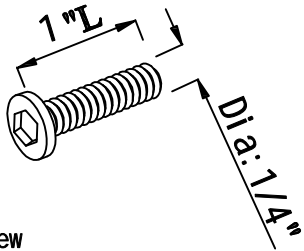


Bolt with nut



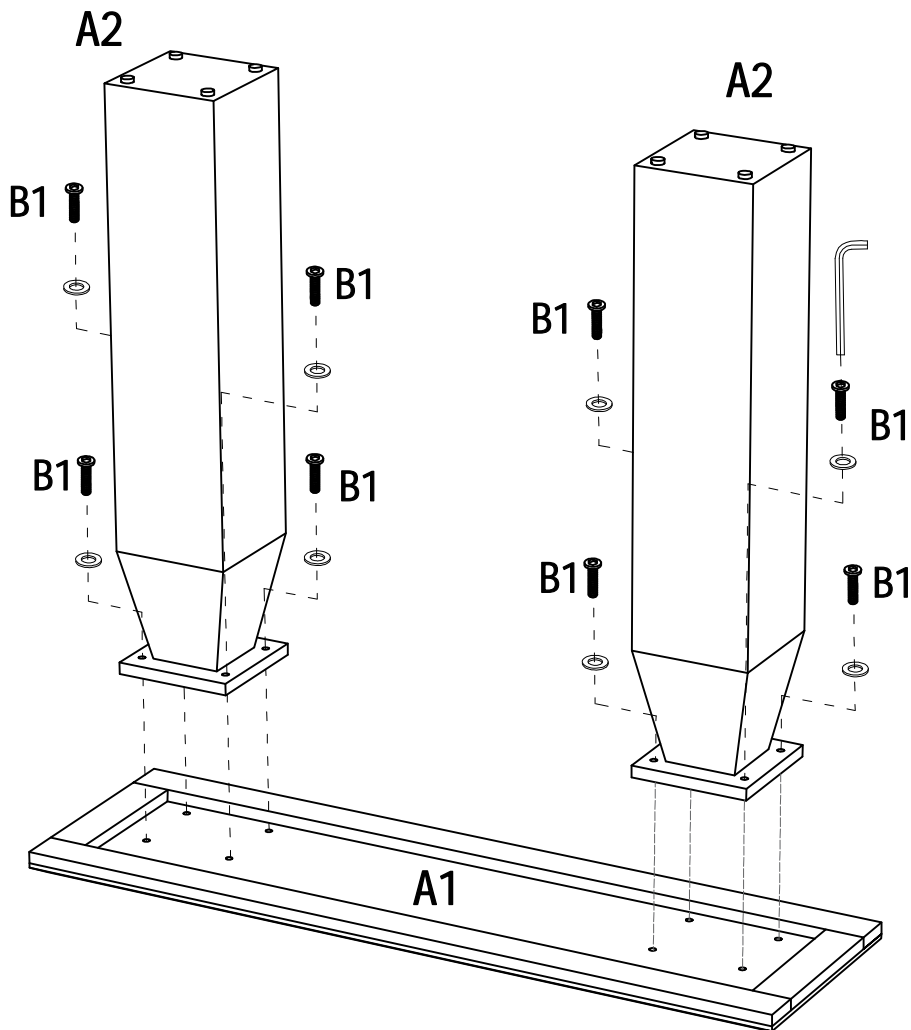
APPENDIX: Dimension of hardware in this AI.

B1.



Screw

B1:  8SETS



Assemble Legs A2 to the bottom of Top Panel A1 using Bolts with washers B1 as shown above.