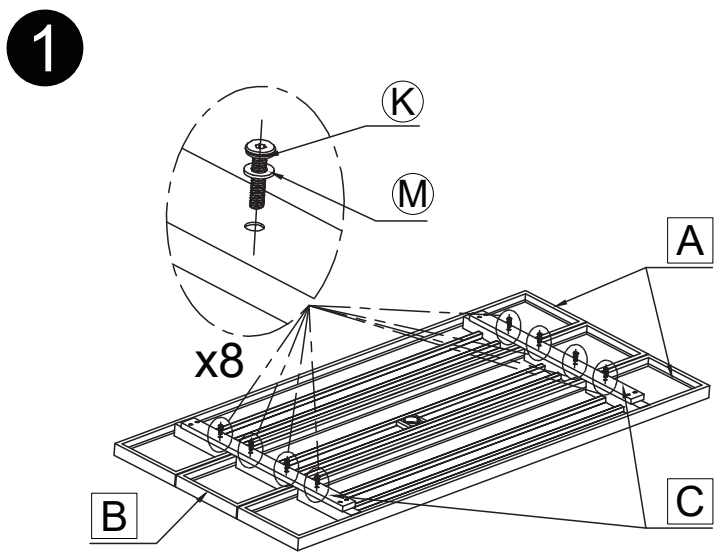
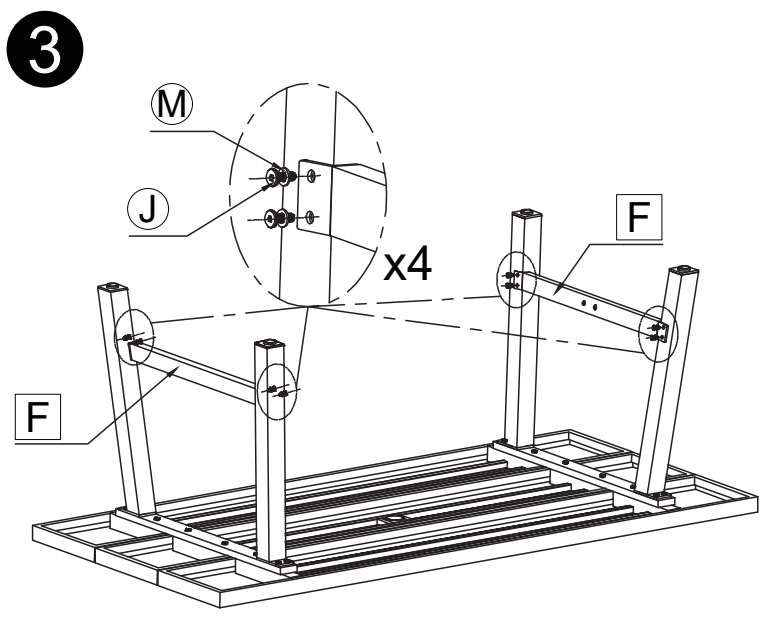


<b>A</b>  2PCS	<b>I</b>  1PC
<b>B</b>  1PC	<b>J</b>  M6*20 16PCS
<b>C</b>  2PCS	<b>K</b>  M6*35 8PCS
<b>D</b>  2PCS	<b>L</b>  M6*45 8PCS
<b>E</b>  2PCS	<b>M</b>  Ø15*Ø8.5*1.5 32PCS
<b>F</b>  2PCS	<b>N</b>  32PCS
<b>G</b>  1PC	<b>O</b>  1PC
<b>H</b>  2PCS	



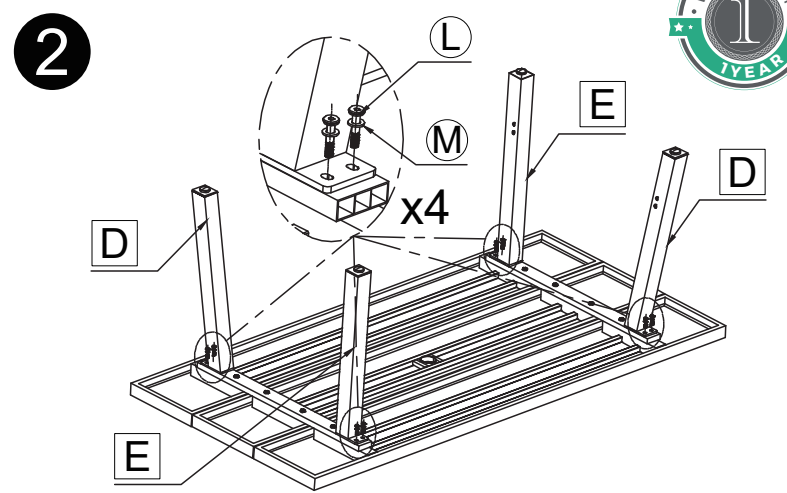
Do not tighten the screws until the three tabletops are perfectly aligned.



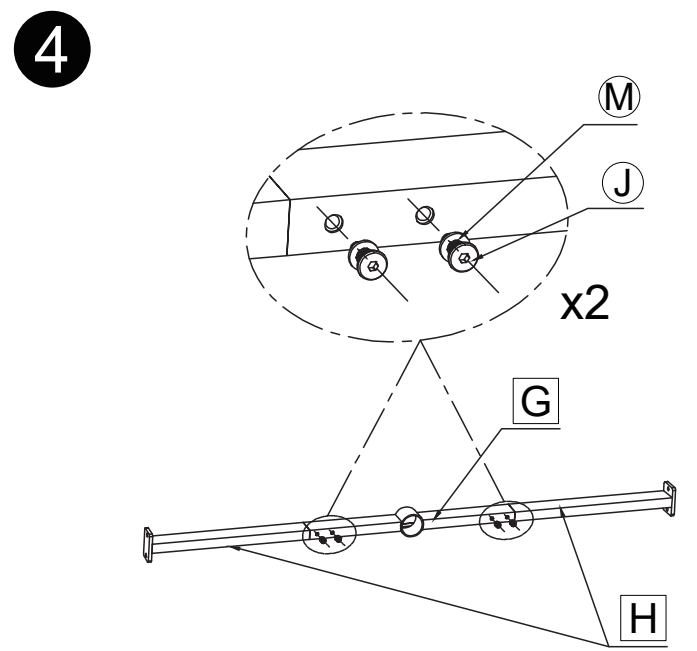
Do not tighten the screws completely in the step.

# sku:FY-AU150SQ/FY-AU150

## Aluminium Table



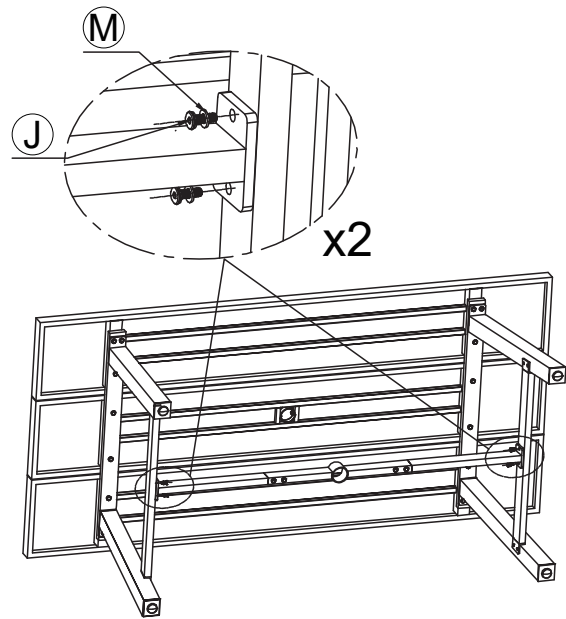
Do not tighten the screws completely in the step.



Do not tighten the screws completely in the step.

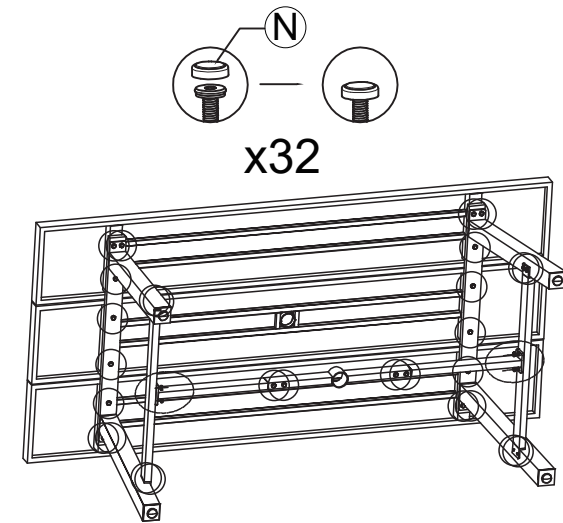
**!** Tip: We recommend flattening the boxes to use as a protective work surface, or setting up your new furniture on a soft floor like a carpet.

5



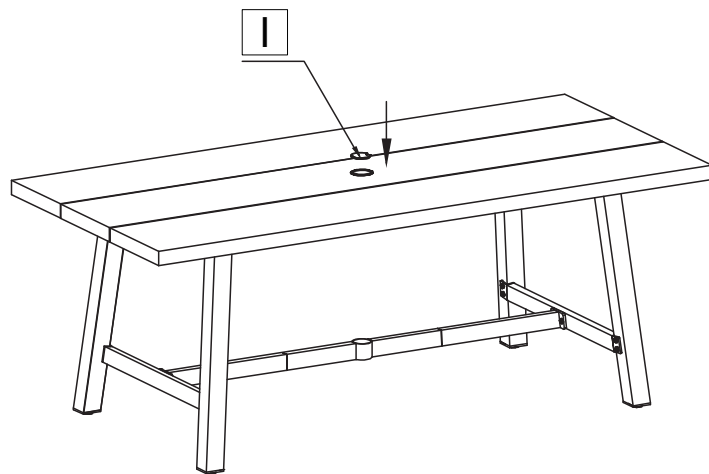
Do not tighten the screws completely in the step.

6



Tighten all 32 screws into place with Allen Key (O) and Install the Caps(N) for protecting and concealing the screws.

7



8

