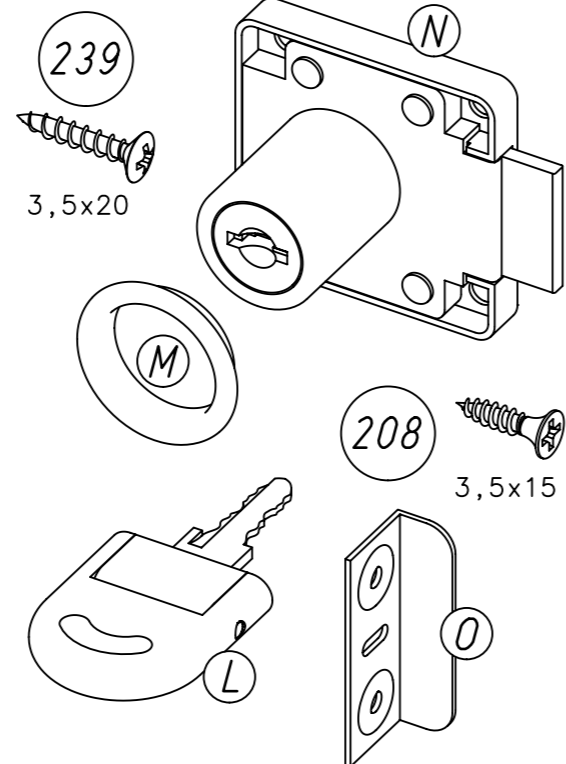
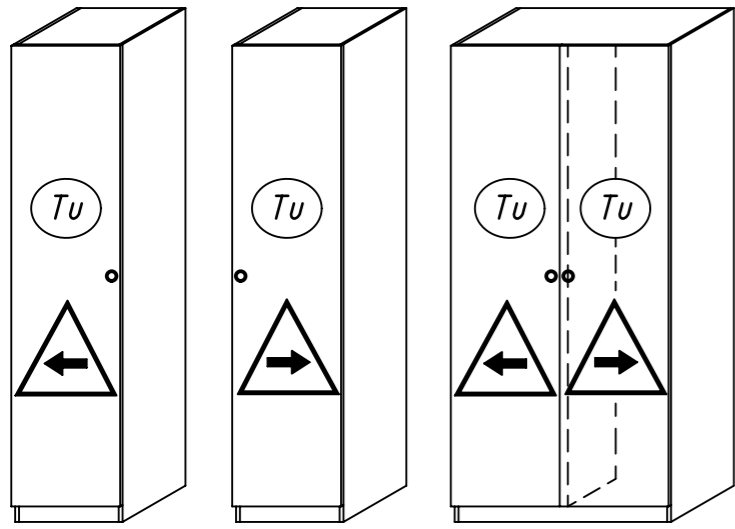


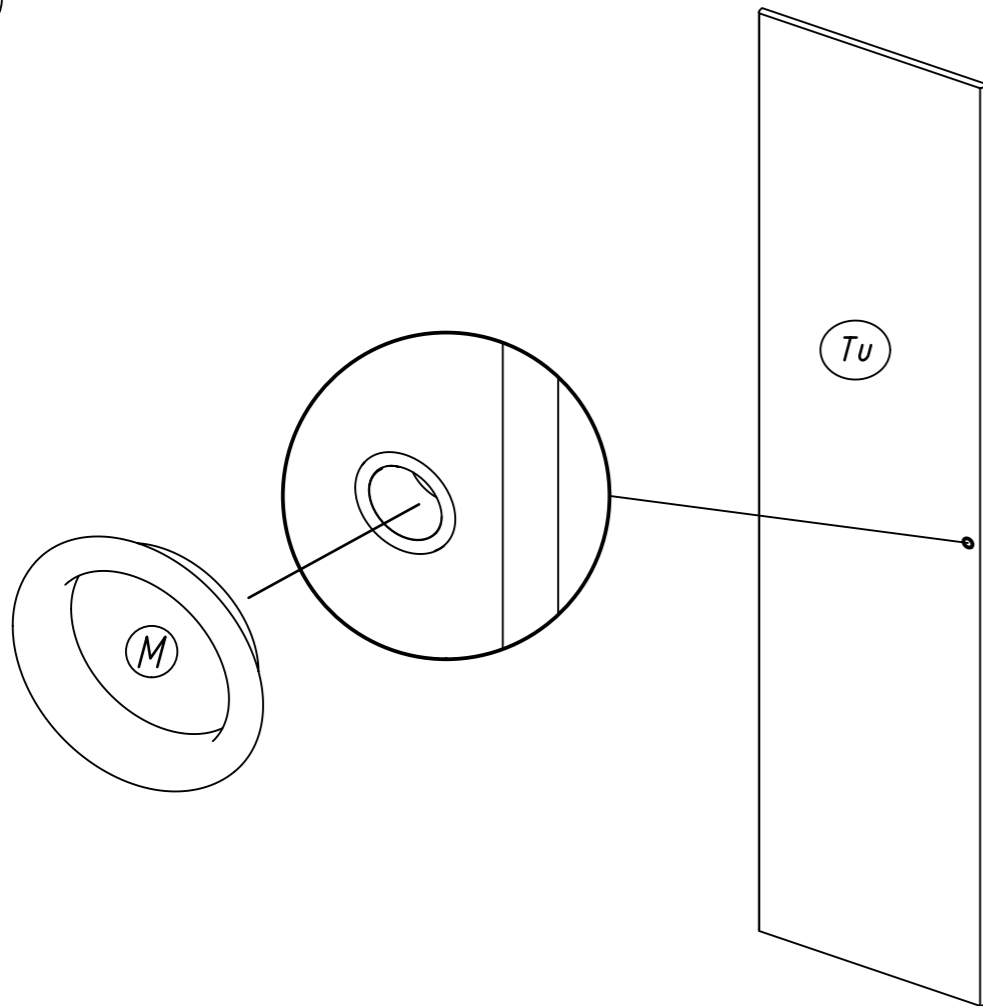
1.

ME539_02

rauch

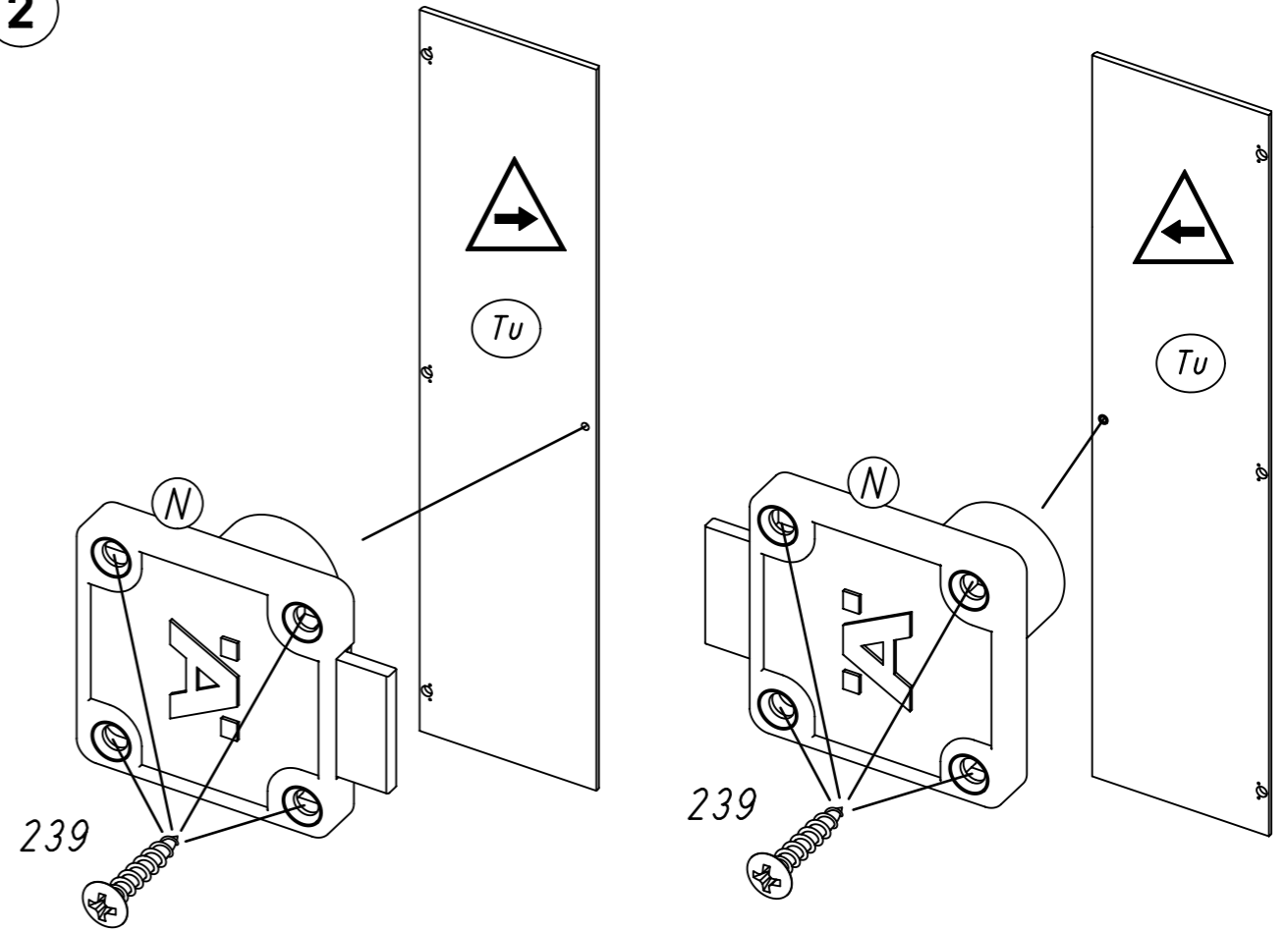


1

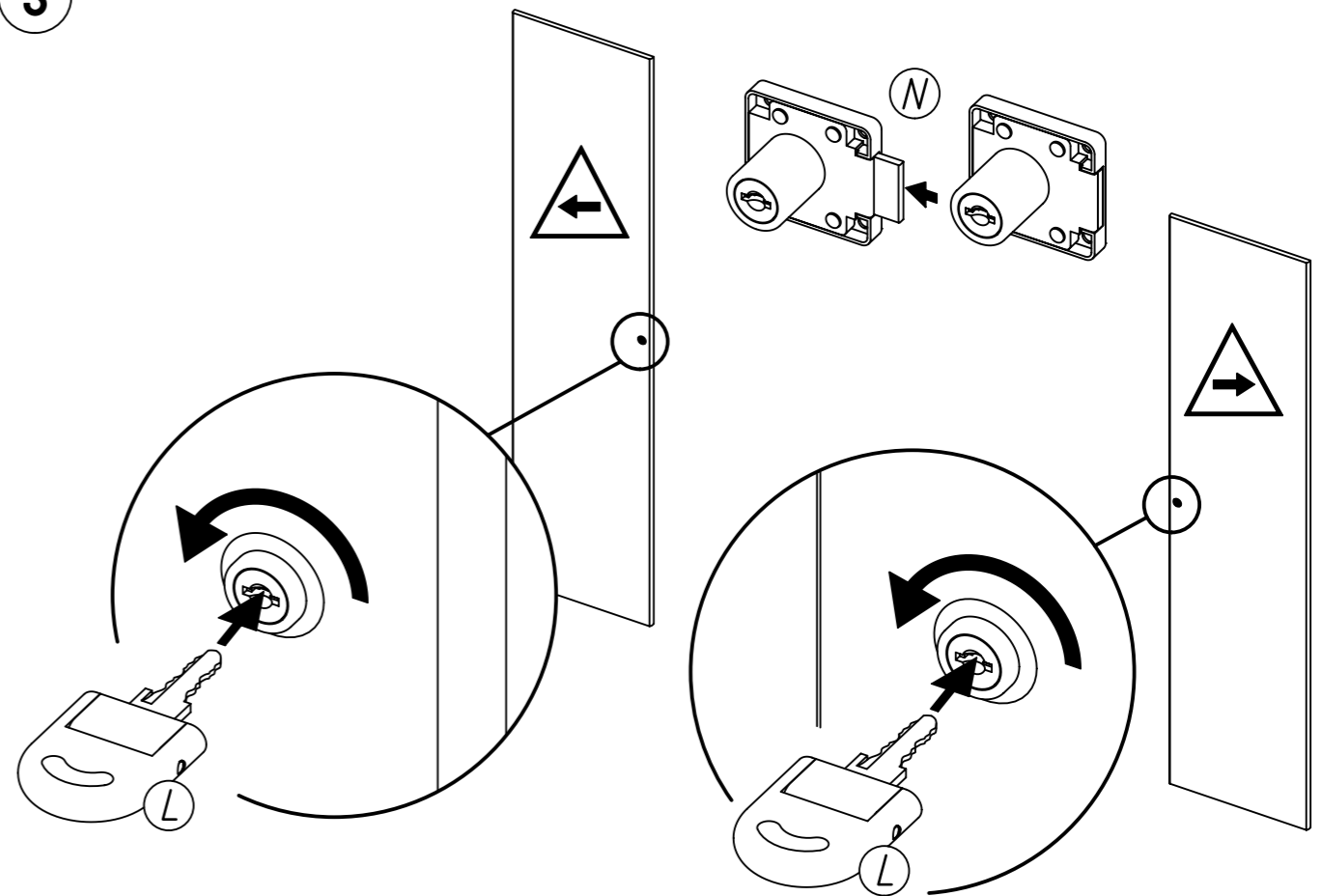


2.

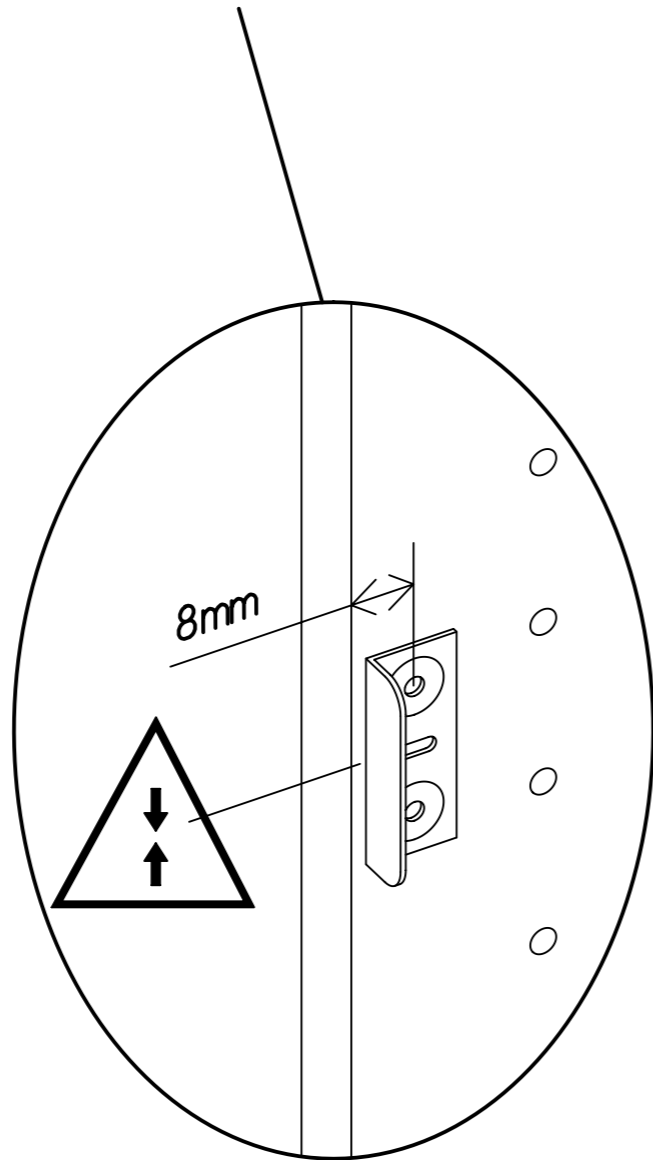
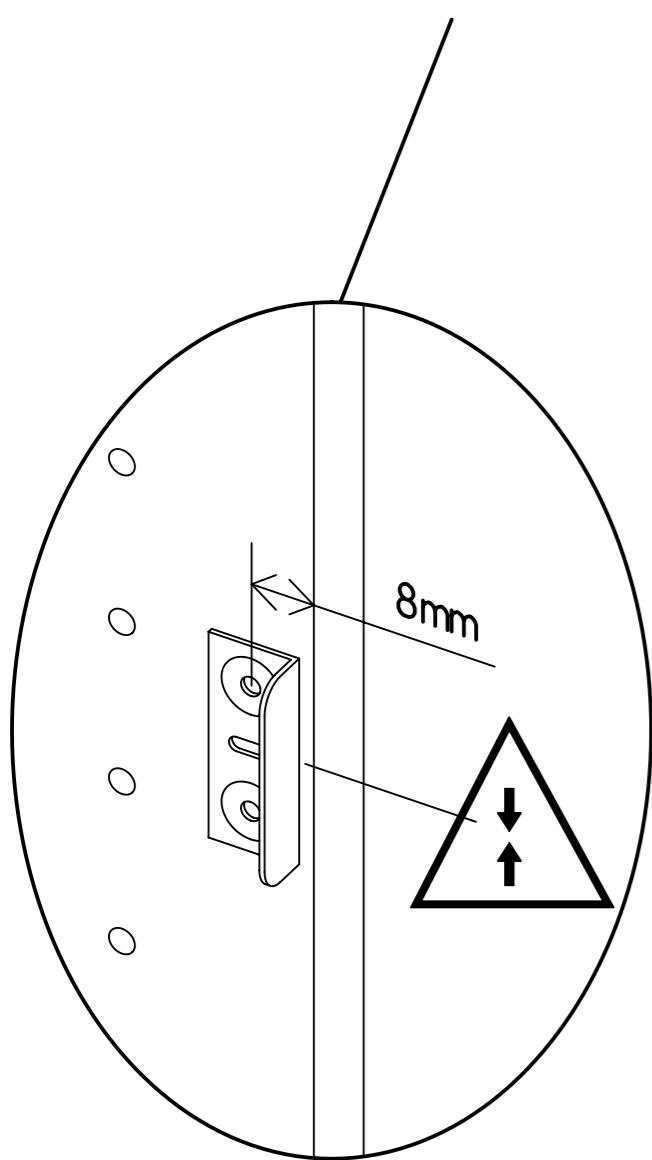
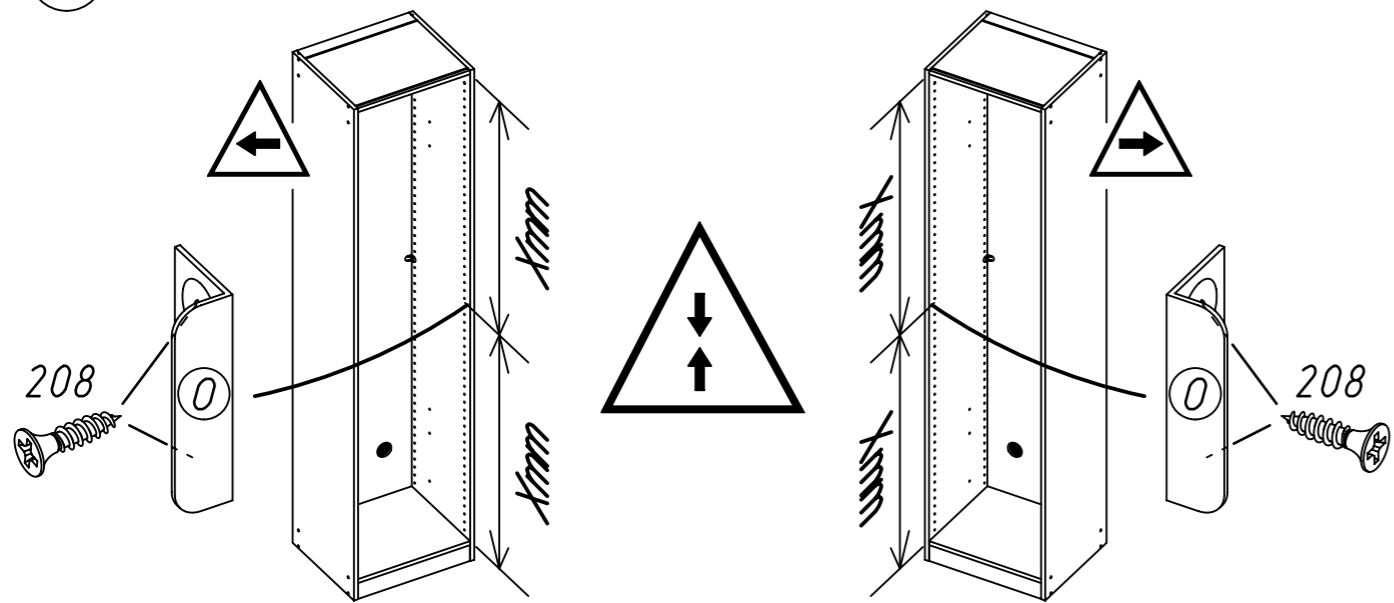
2



3



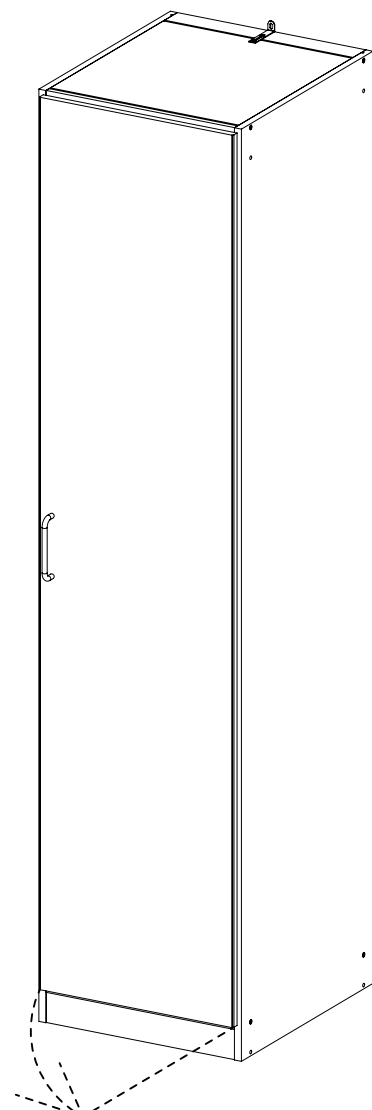
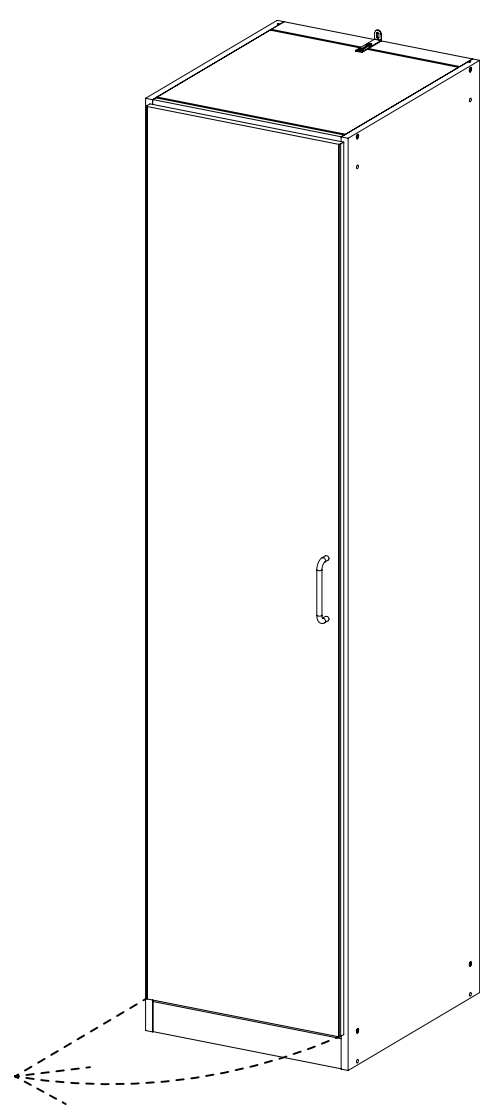
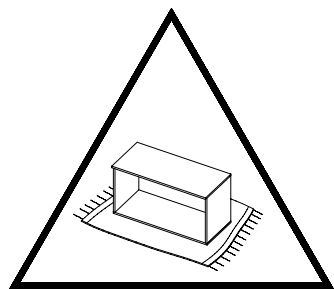
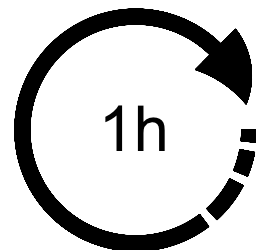
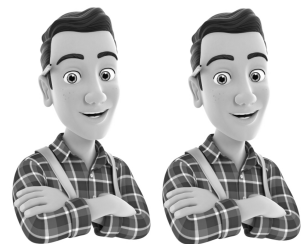
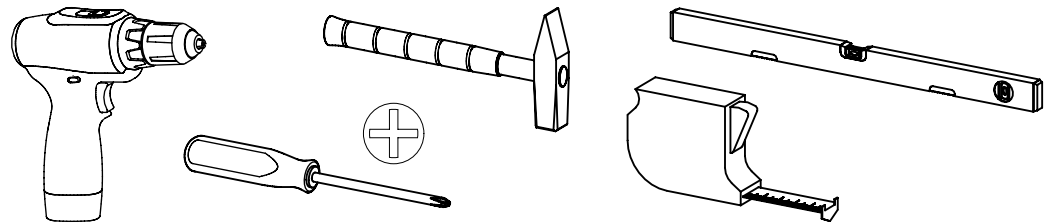
4



1.

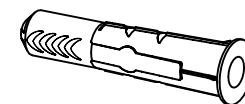
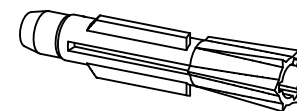
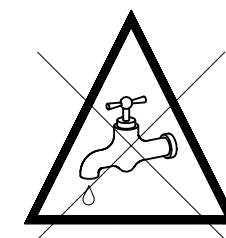
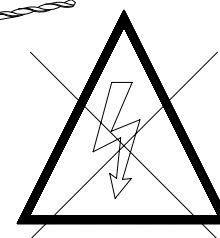
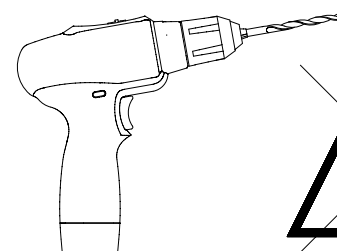
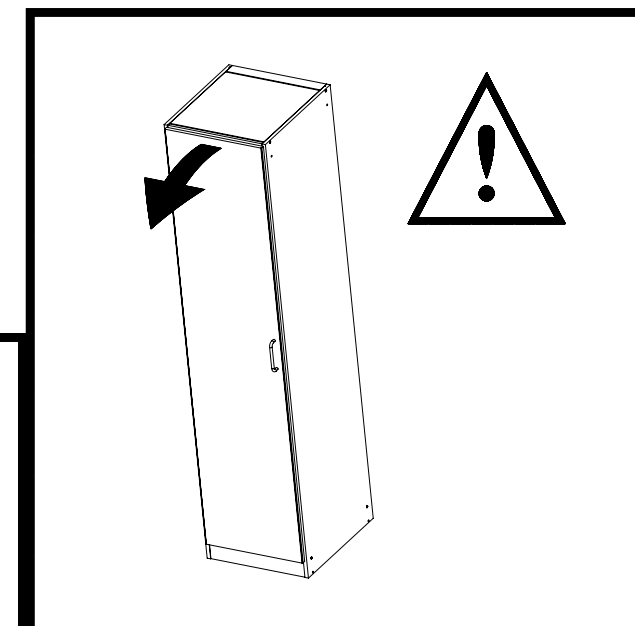
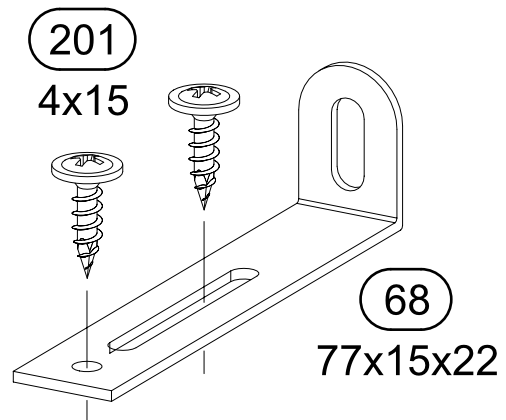
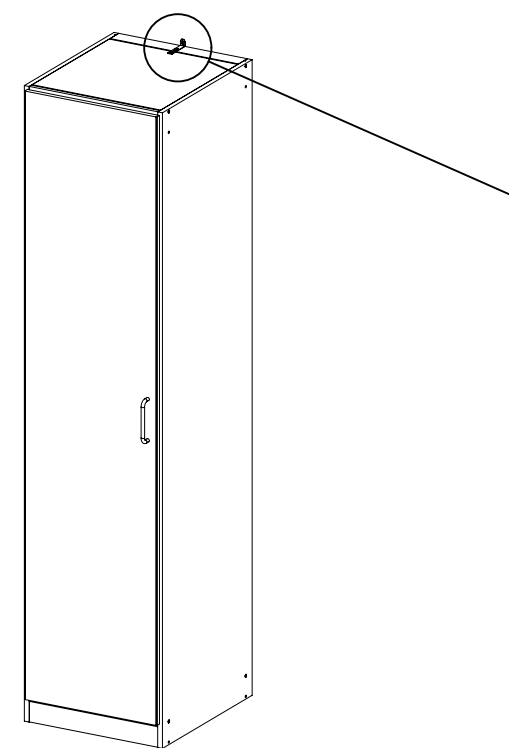
ML002_09

rauch

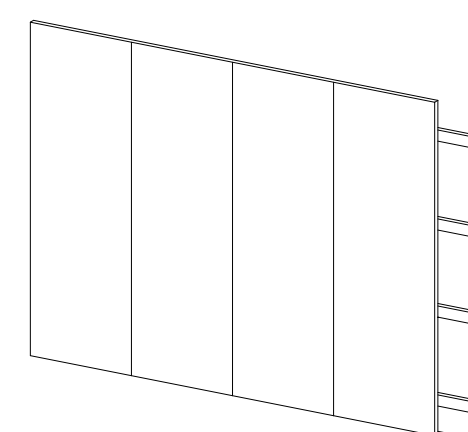
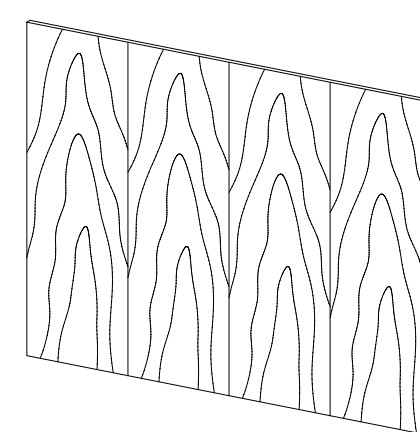
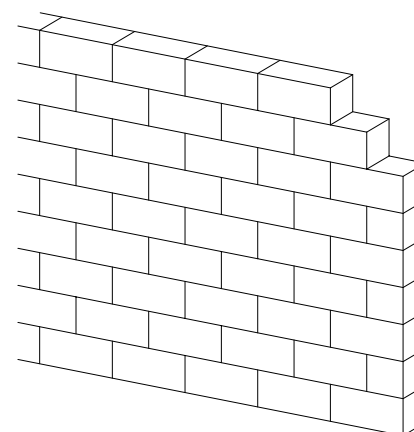
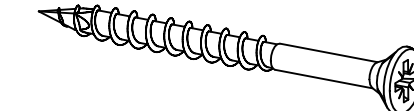
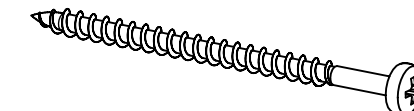


ML002

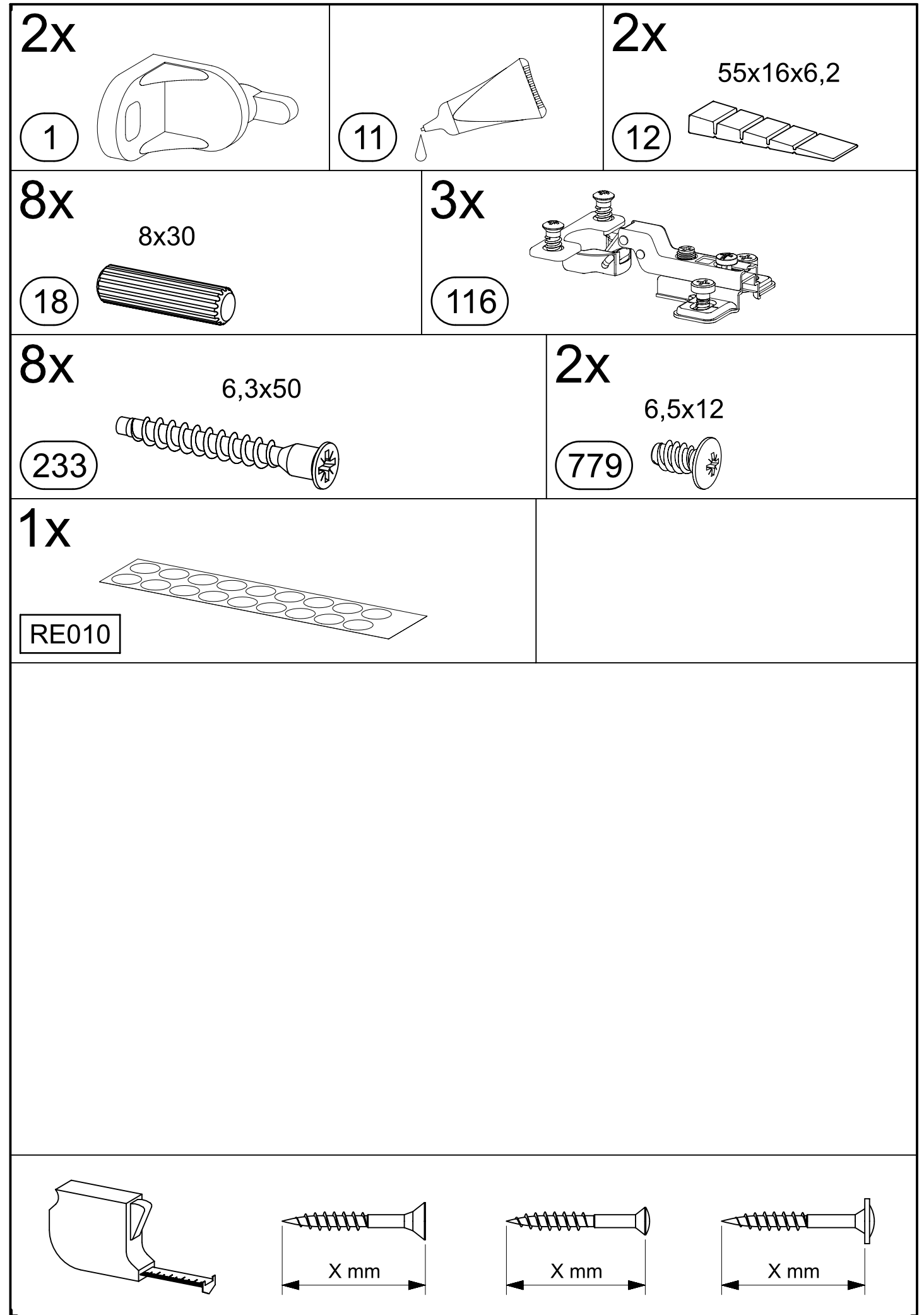
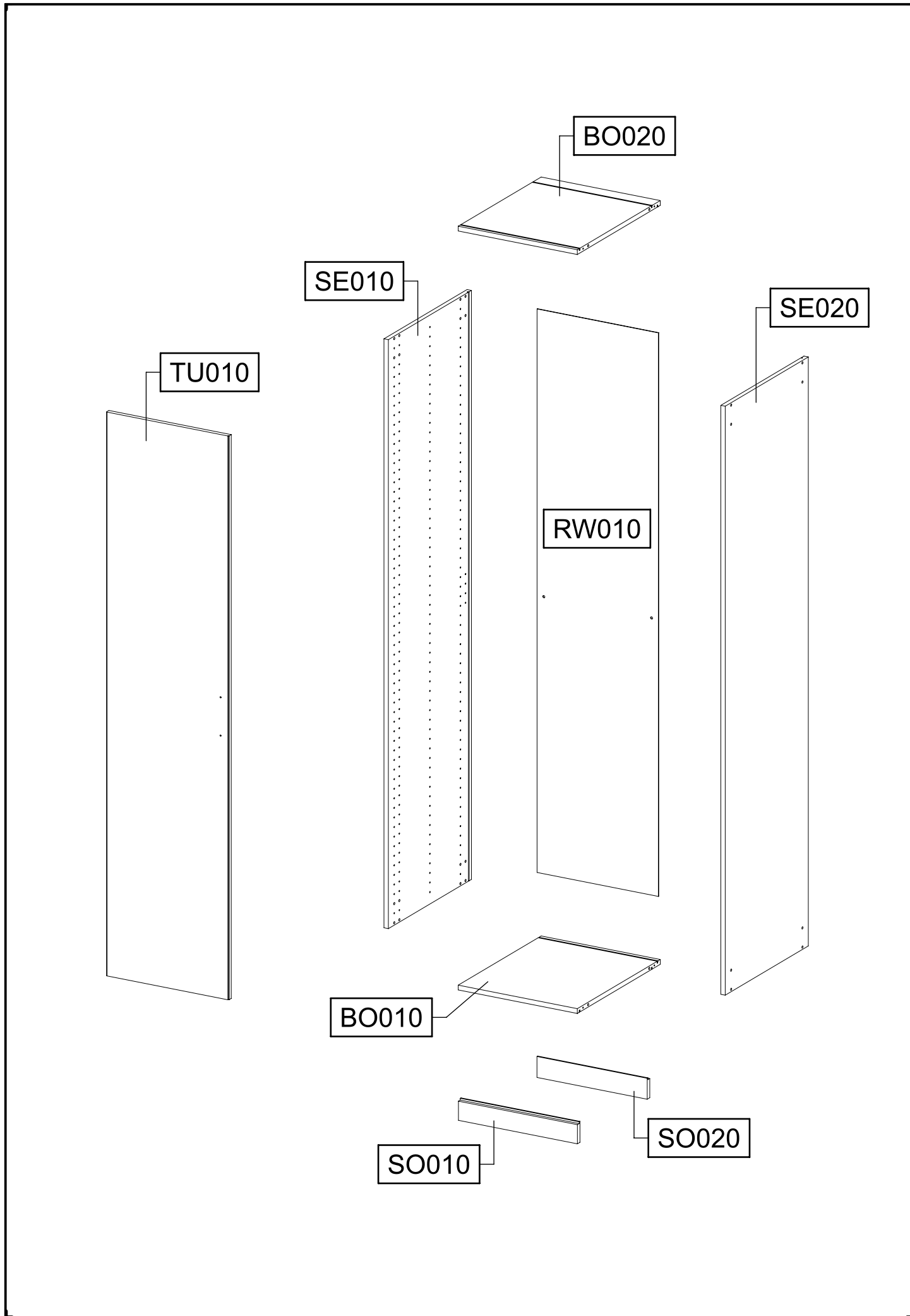
2.

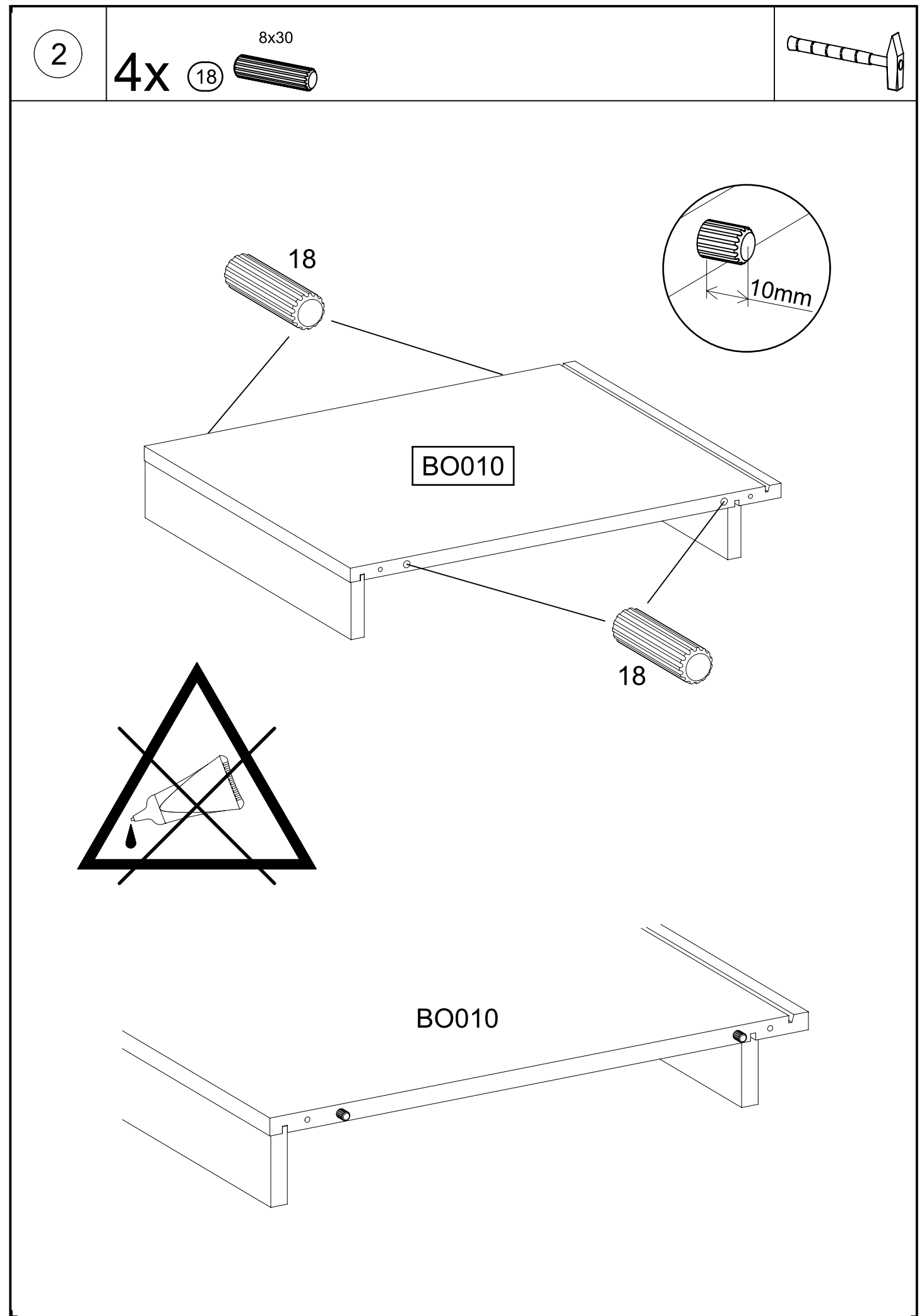
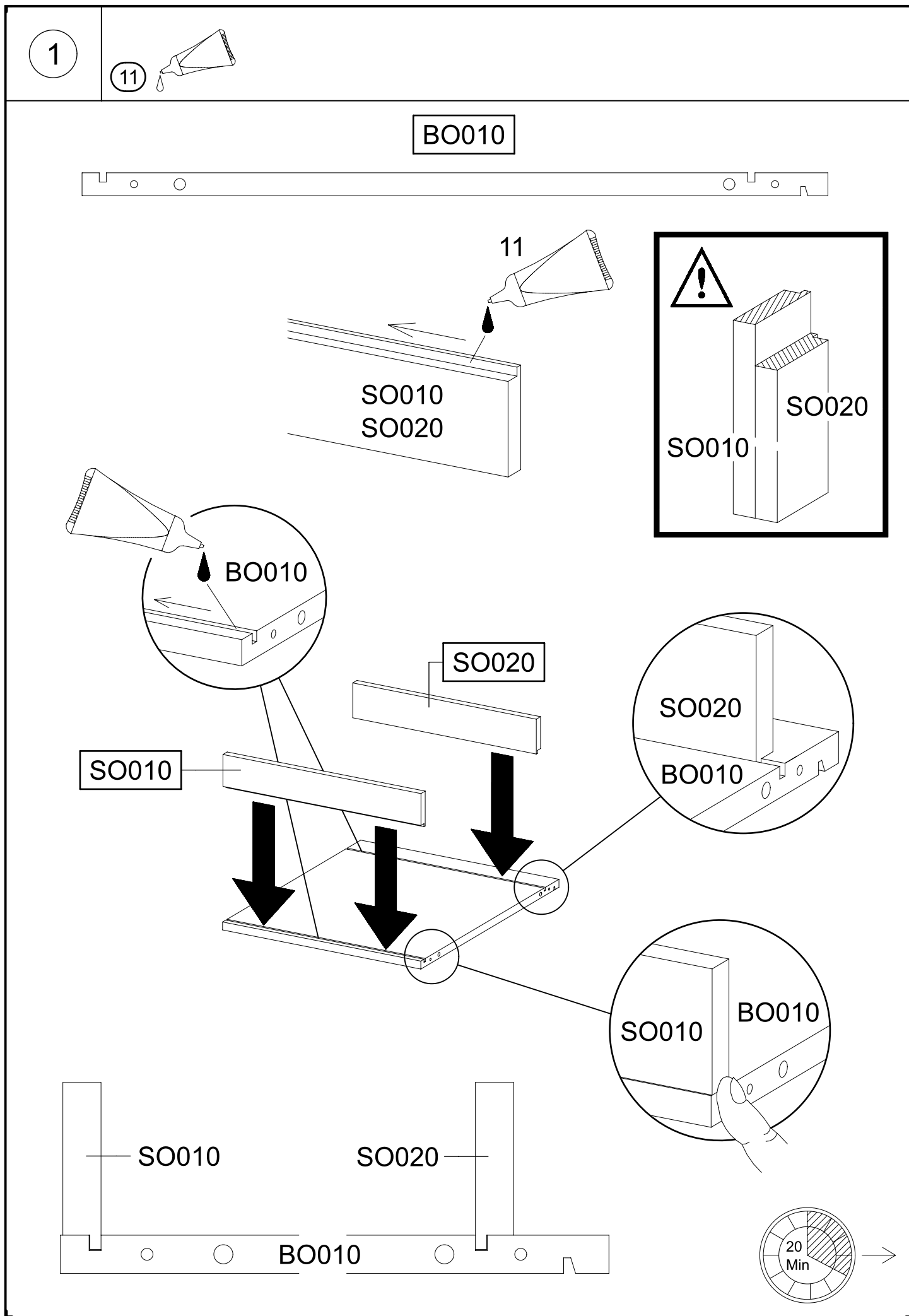


ØXmm



ML002



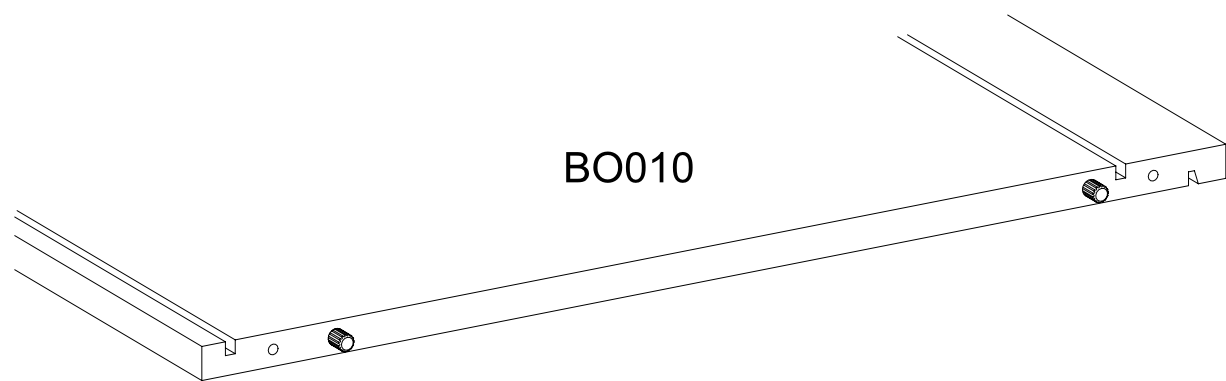
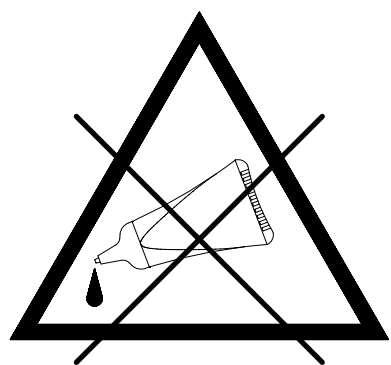
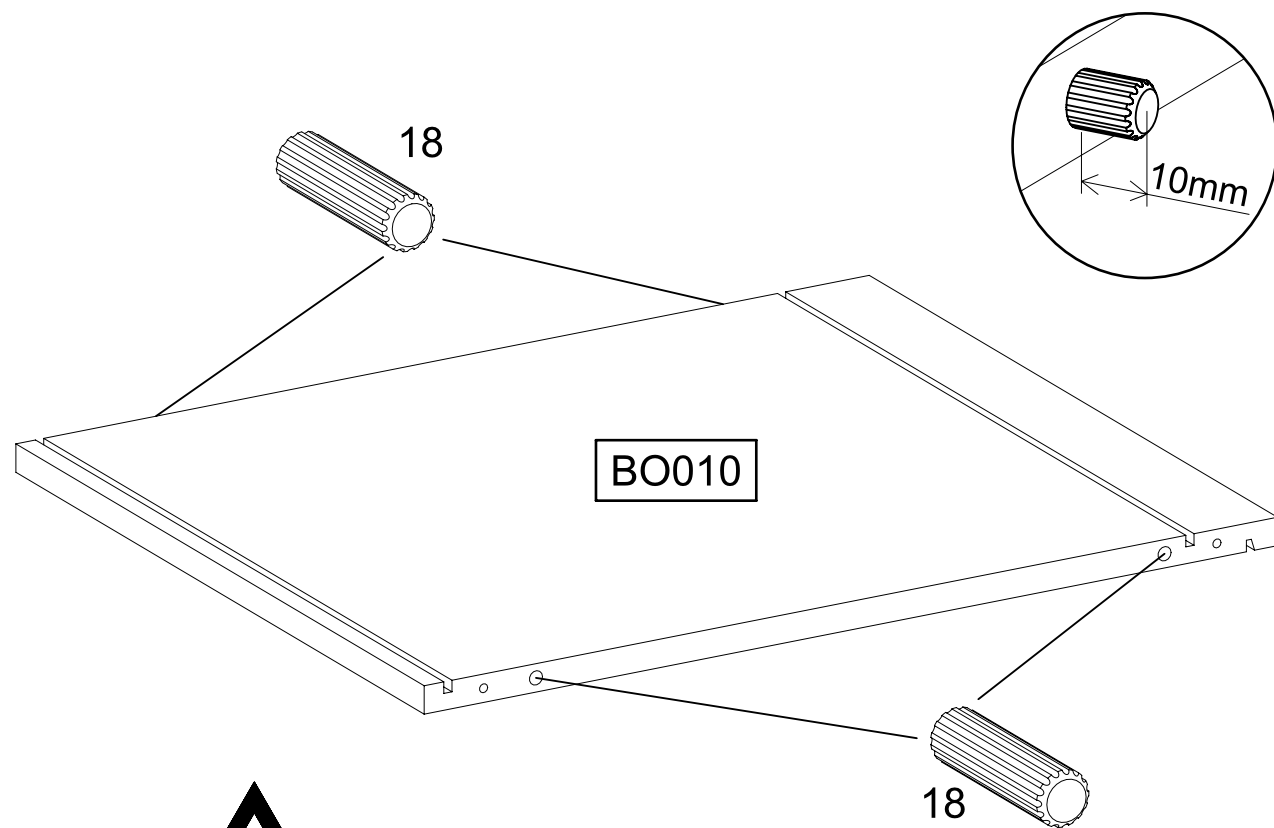
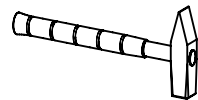


3

4x

18

8x30



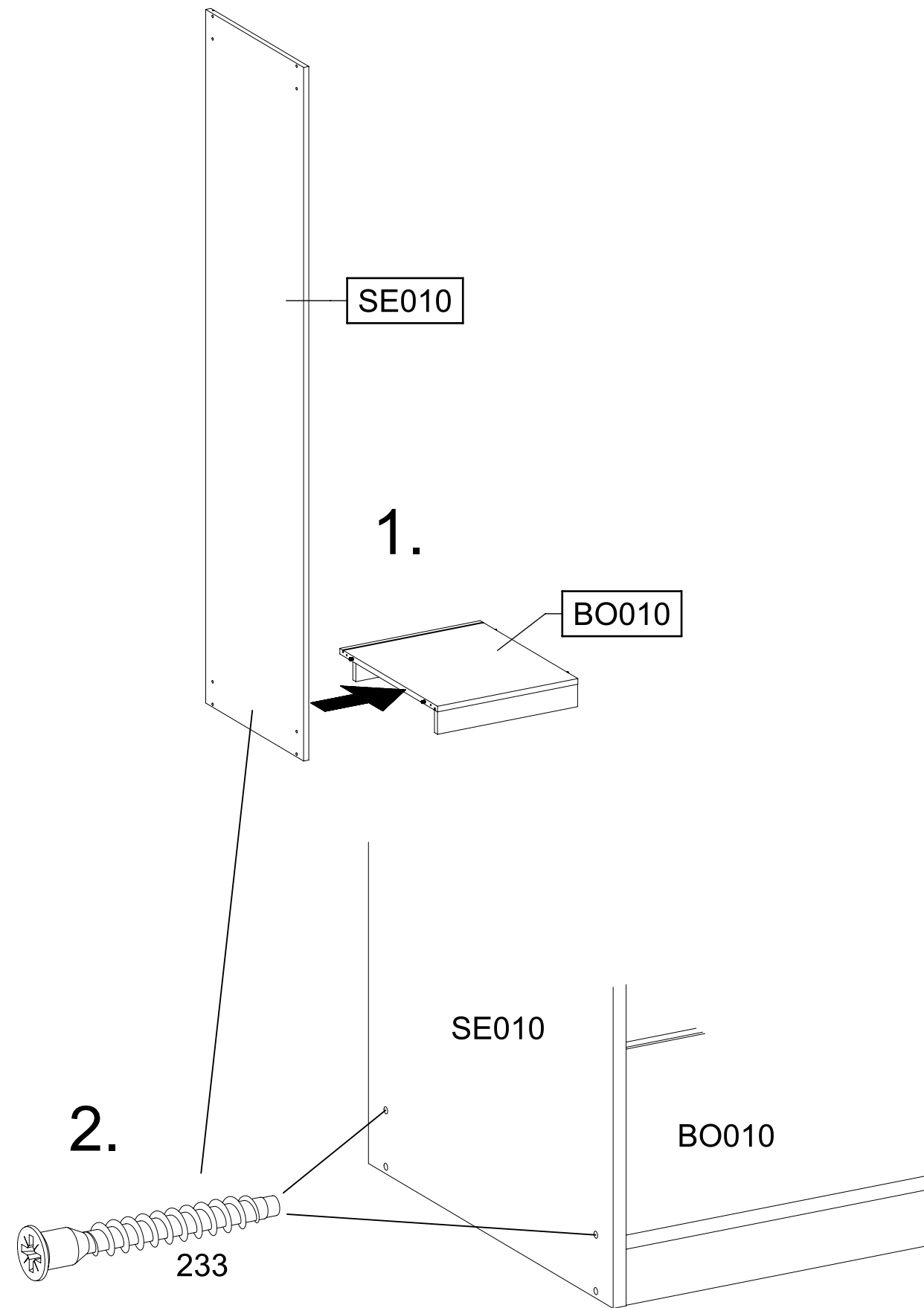
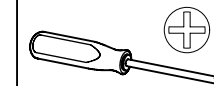
BO010

4

2x

233

6,3x50



SE010

1.

BO010

2.

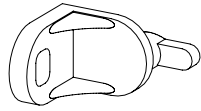
SE010

BO010

233

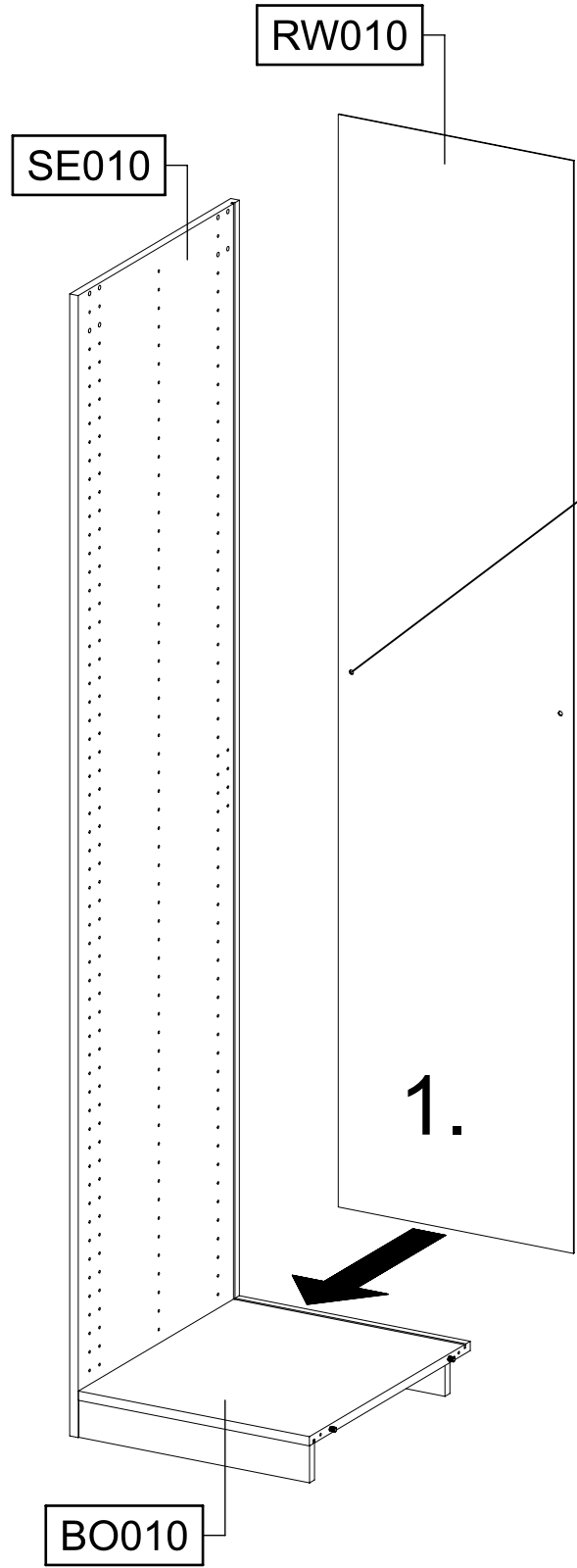
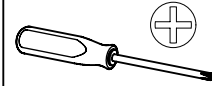
5

1x 1



1x 779

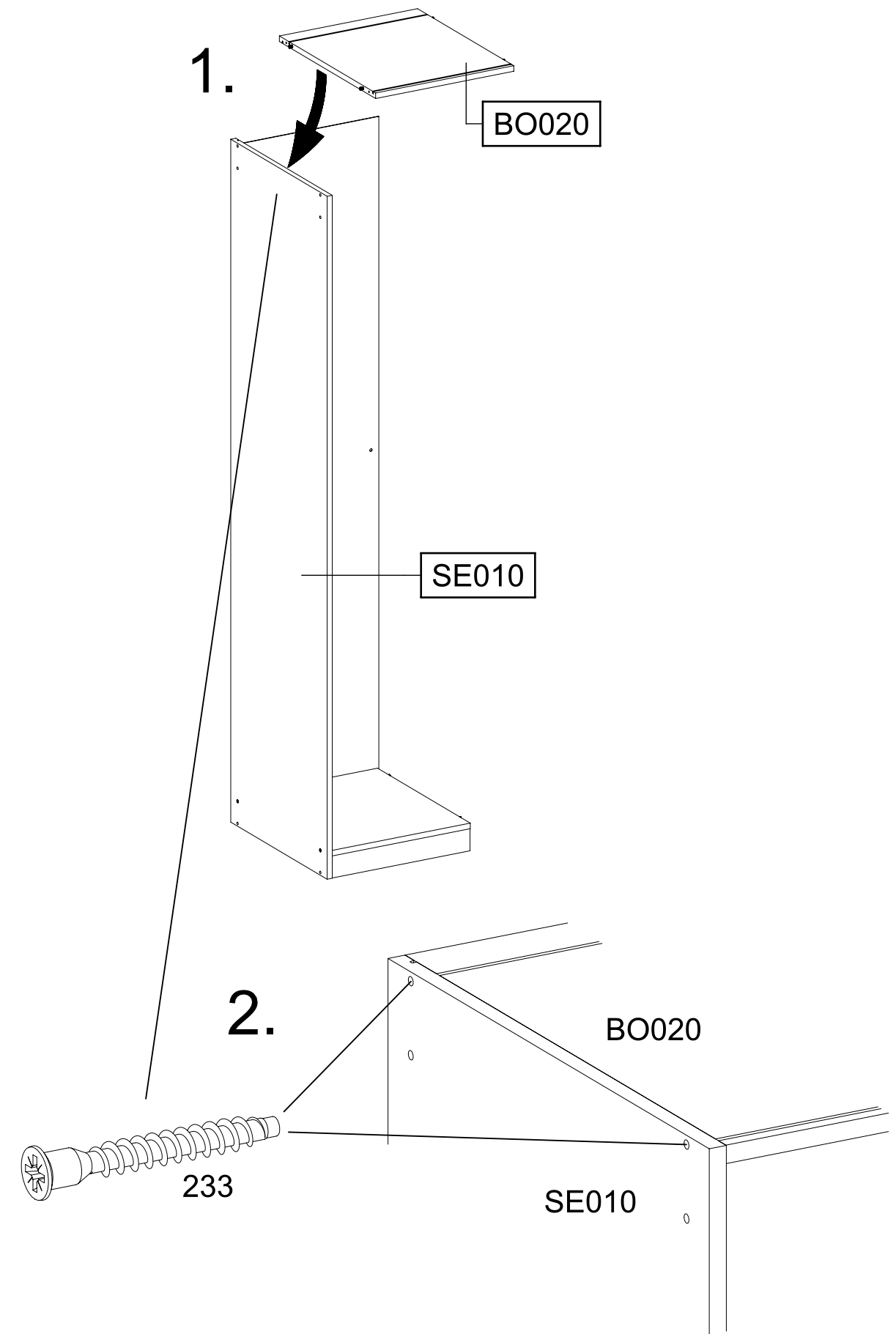
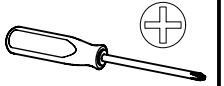
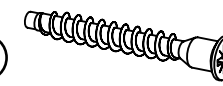
6,5x12

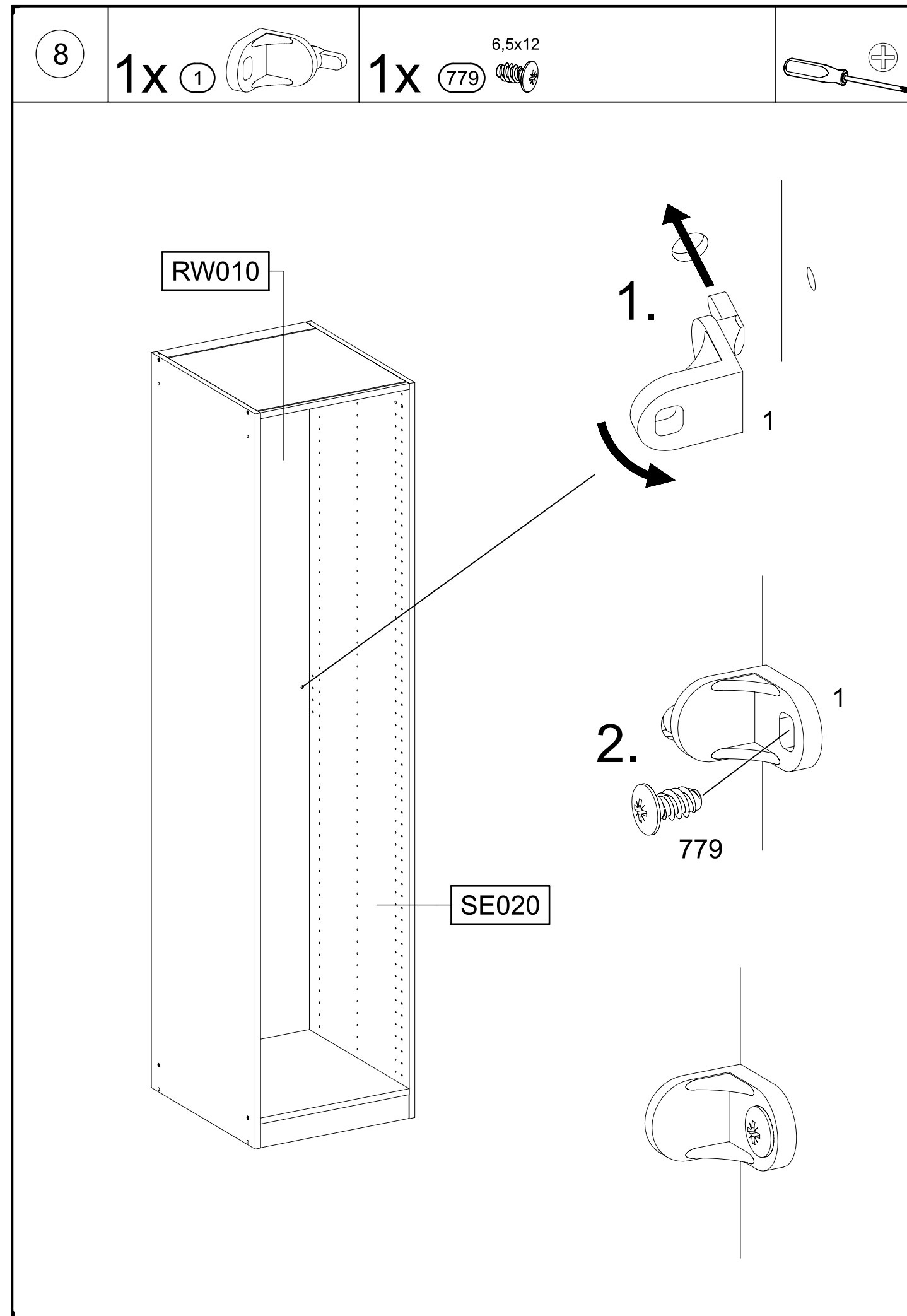
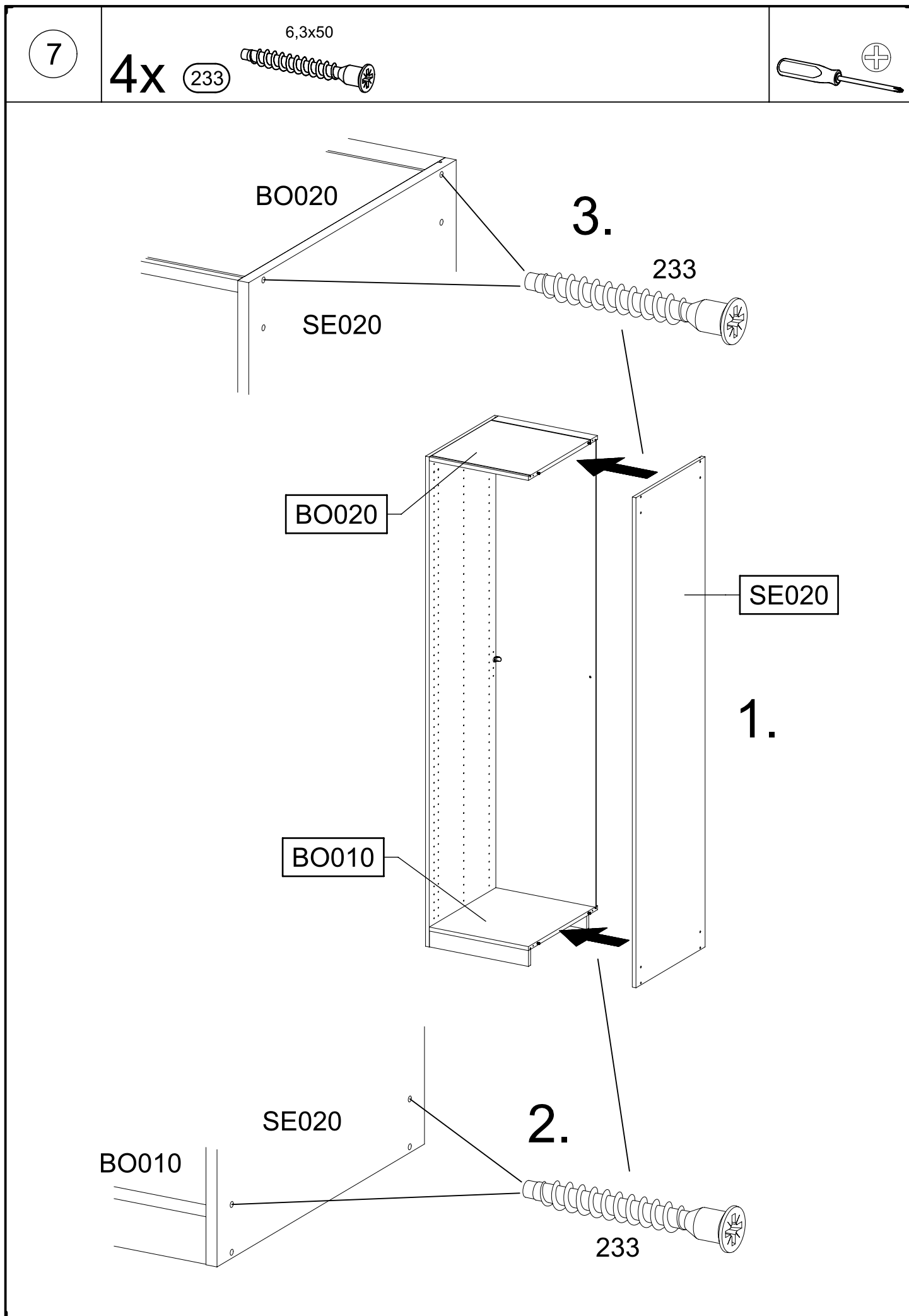


6

2x 233

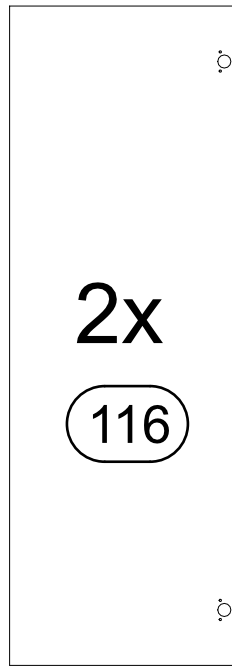
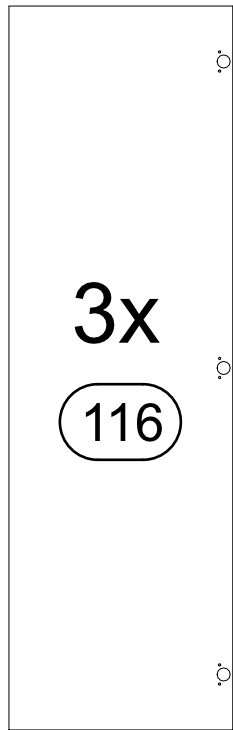
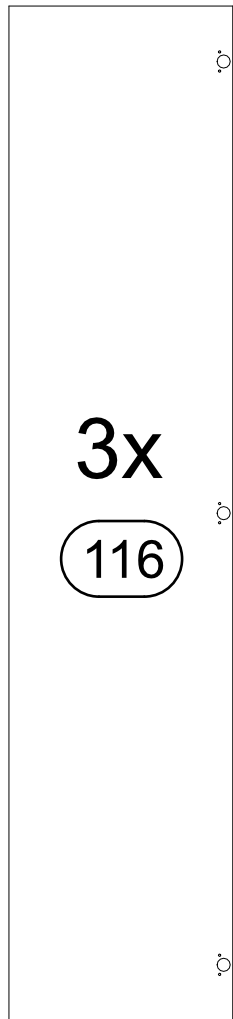
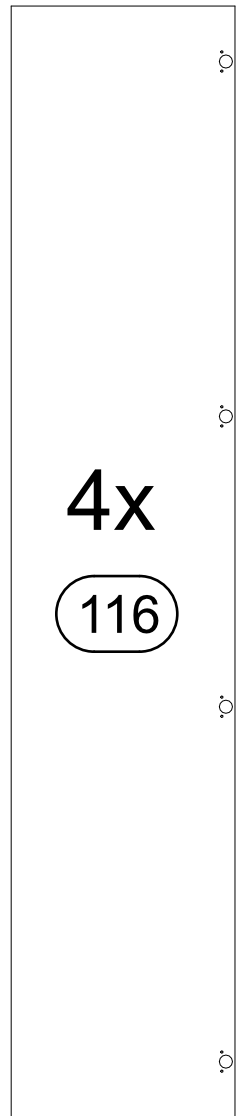
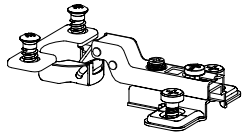
6,3x50





9

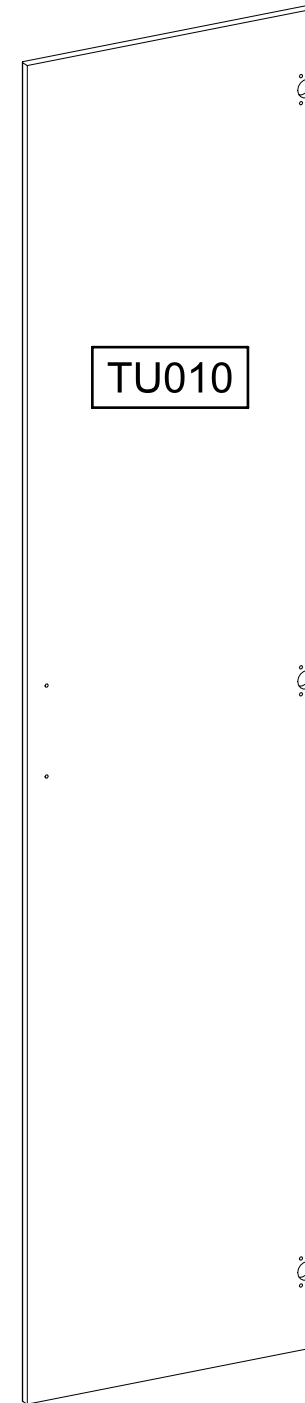
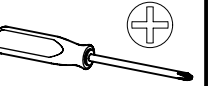
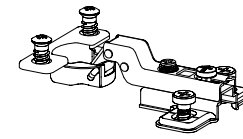
116



10

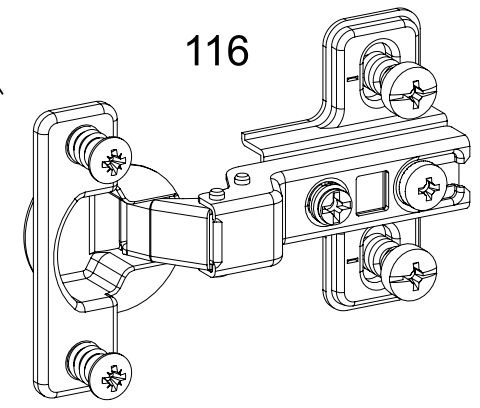
3x

116

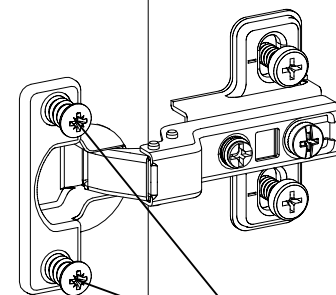


1.

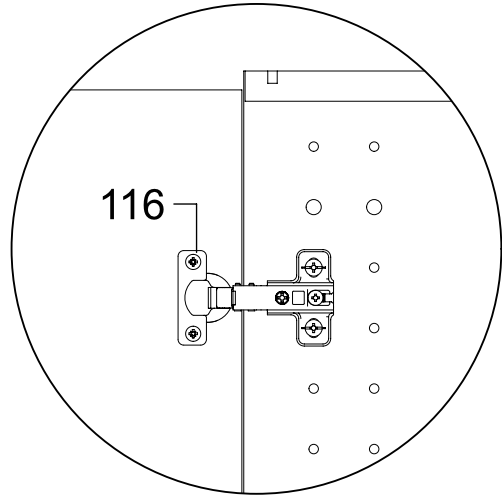
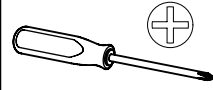
116



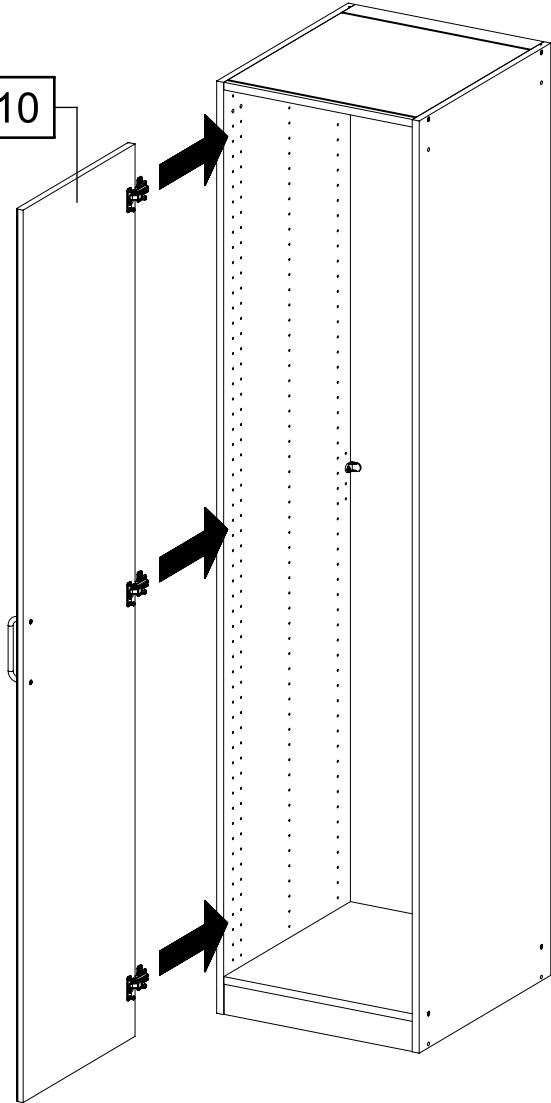
2.



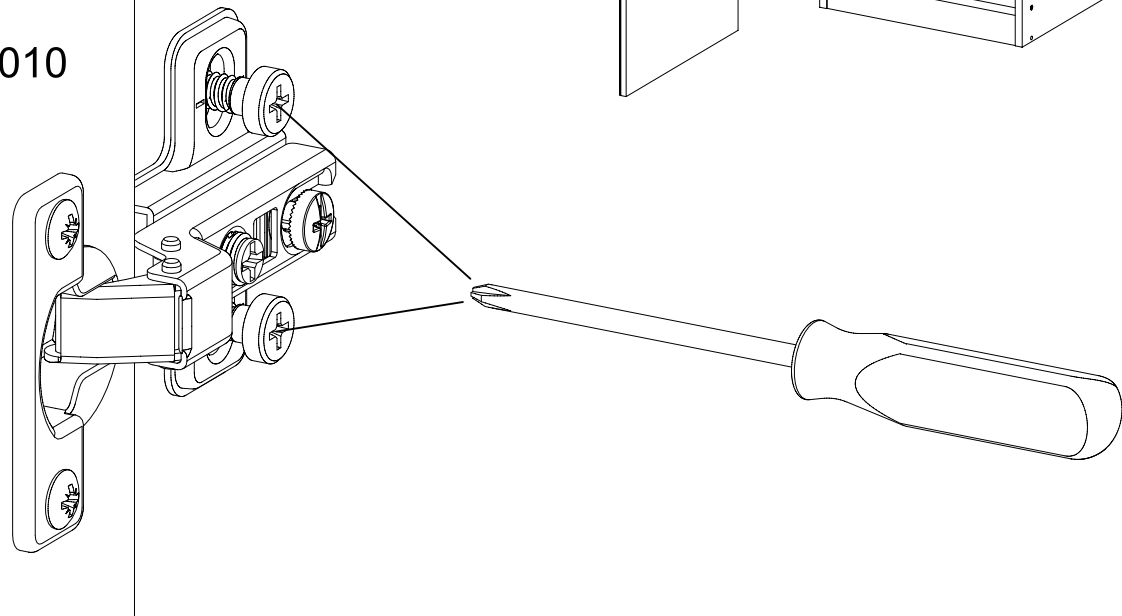
11



TU010



TU010

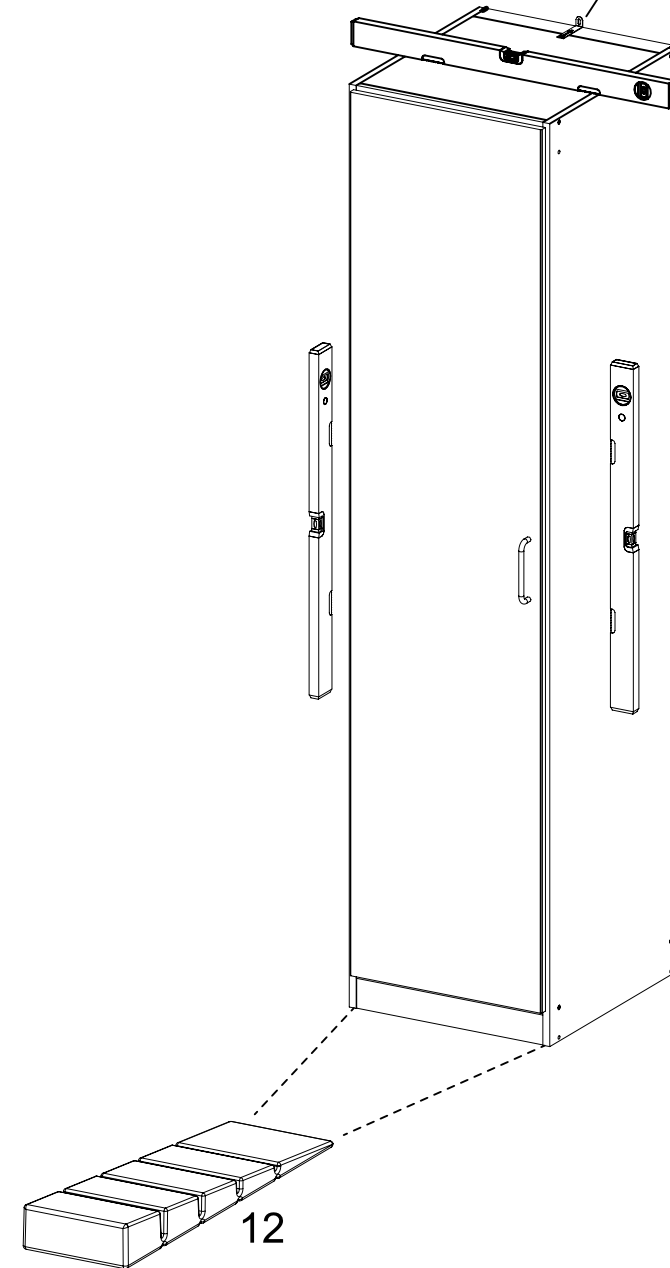
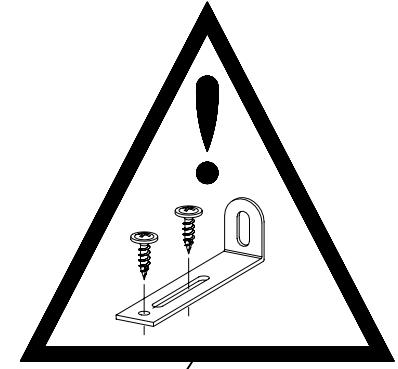
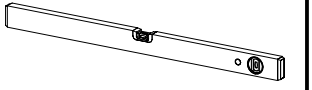
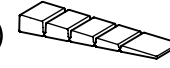


12

2x

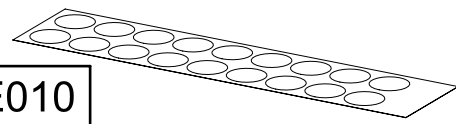
12

55x16x6,2

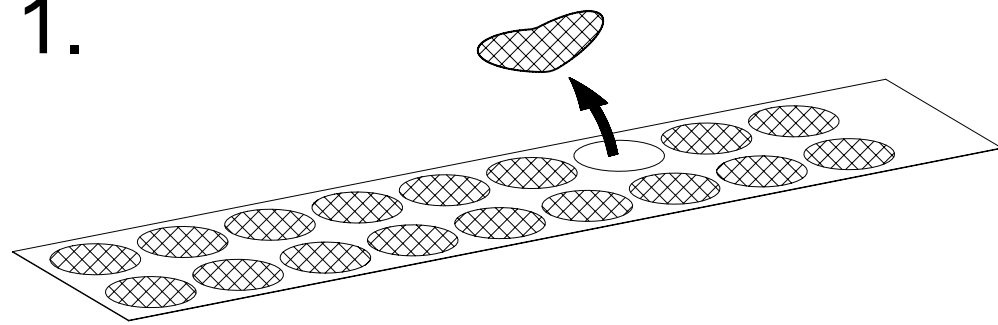


13

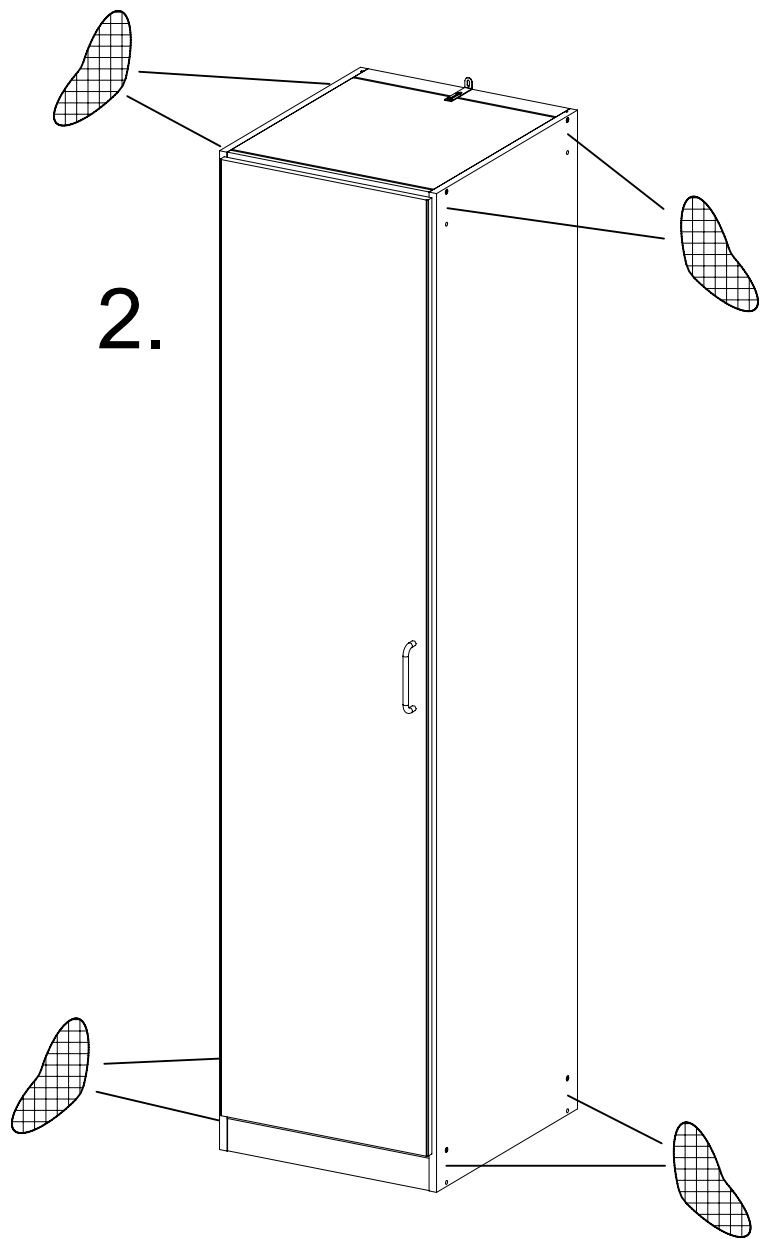
1x RE010



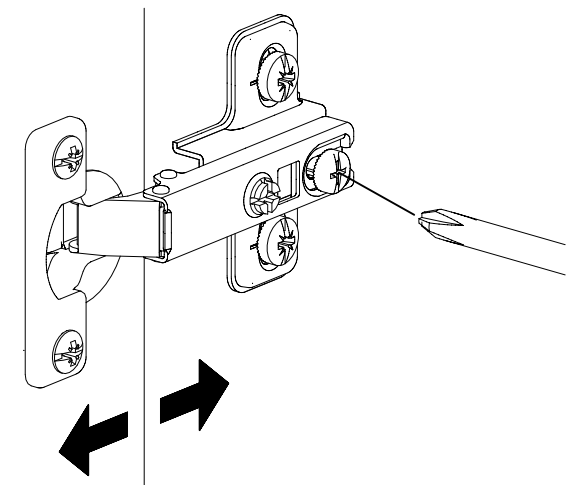
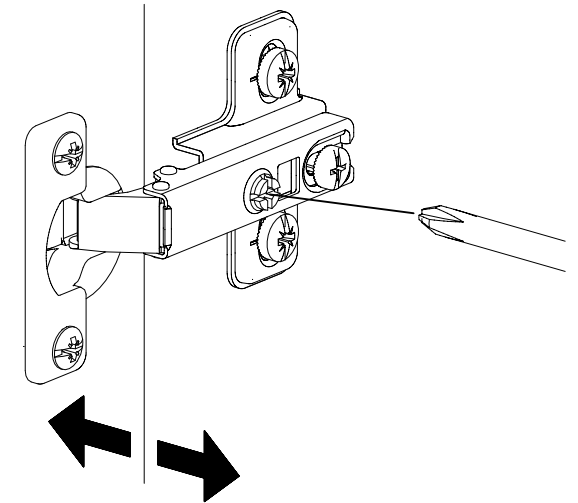
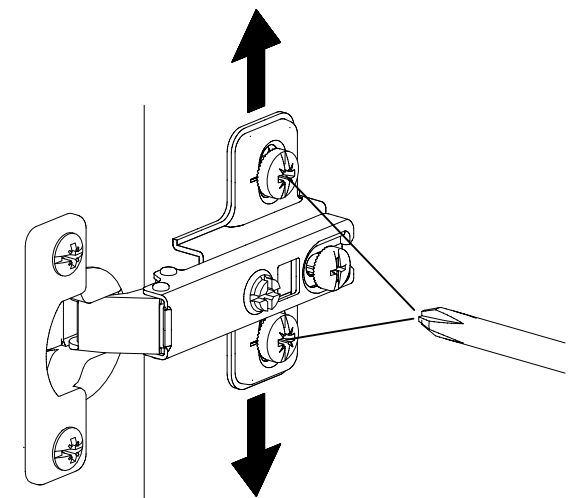
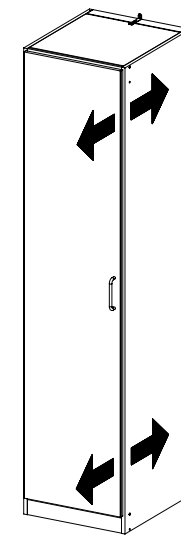
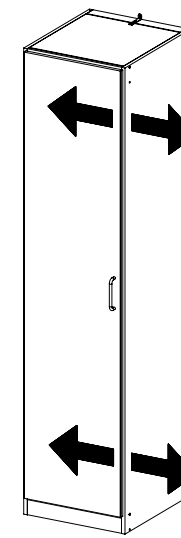
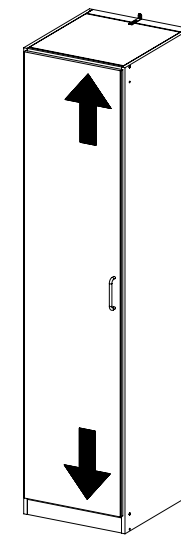
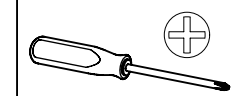
1.

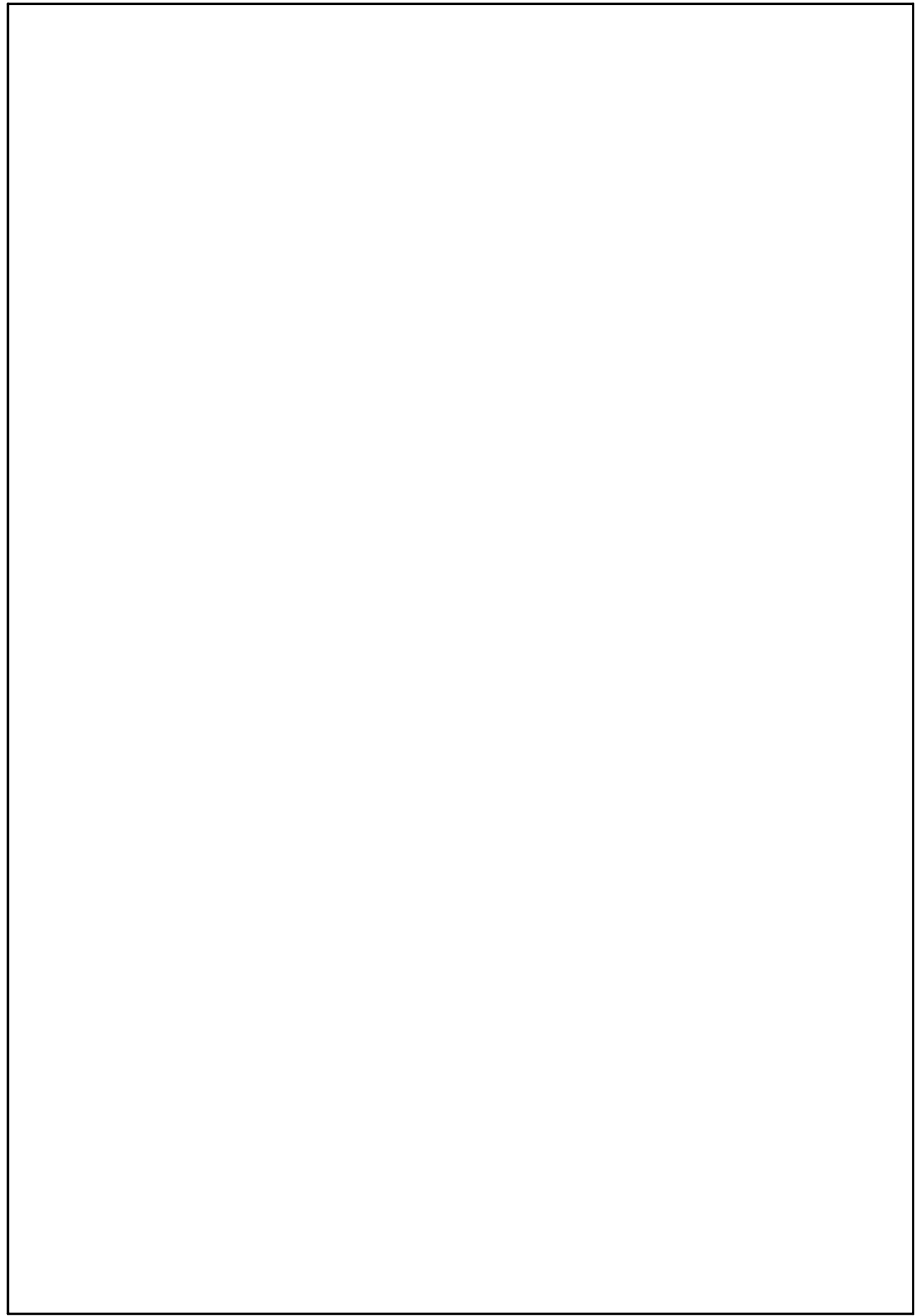
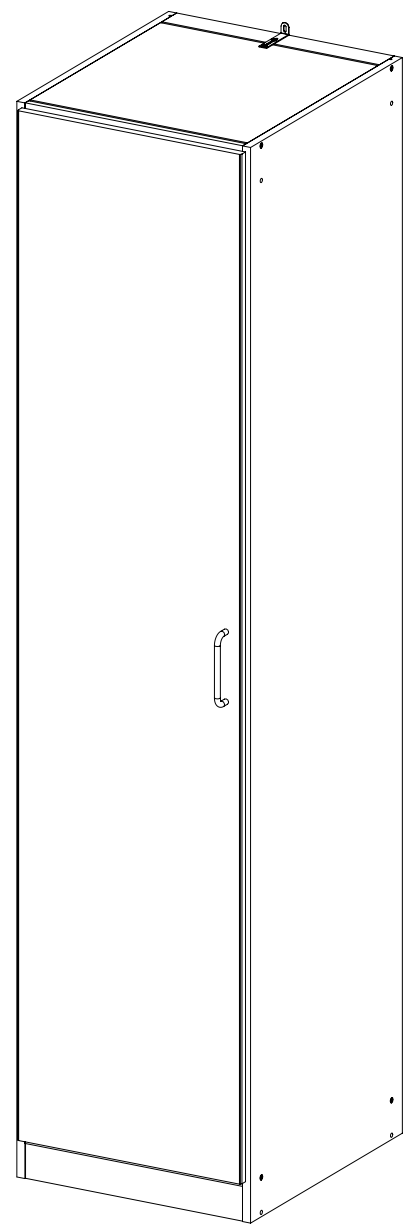


2.



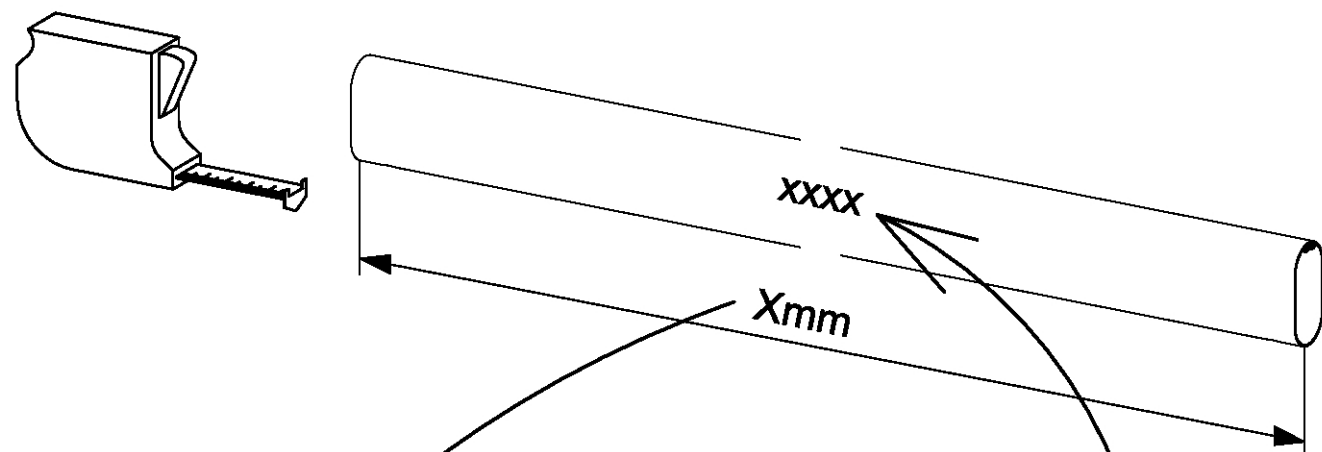
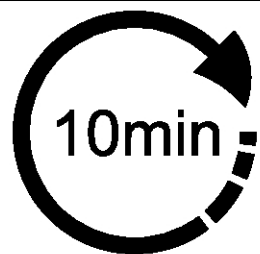
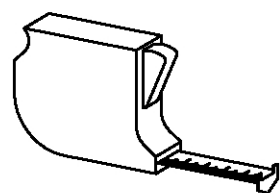
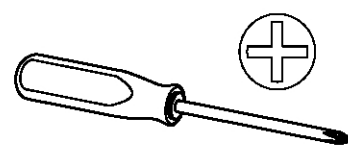
14





MZ110_02

rauch



Xmm			xxxx
393mm	max. 40kg		2000
426mm	max. 40kg		2001
563mm	max. 40kg		2002
650mm	max. 40kg		2003
809mm	max. 40kg		2004
873mm	max. 40kg		2006
1097mm	max. 40kg		2008



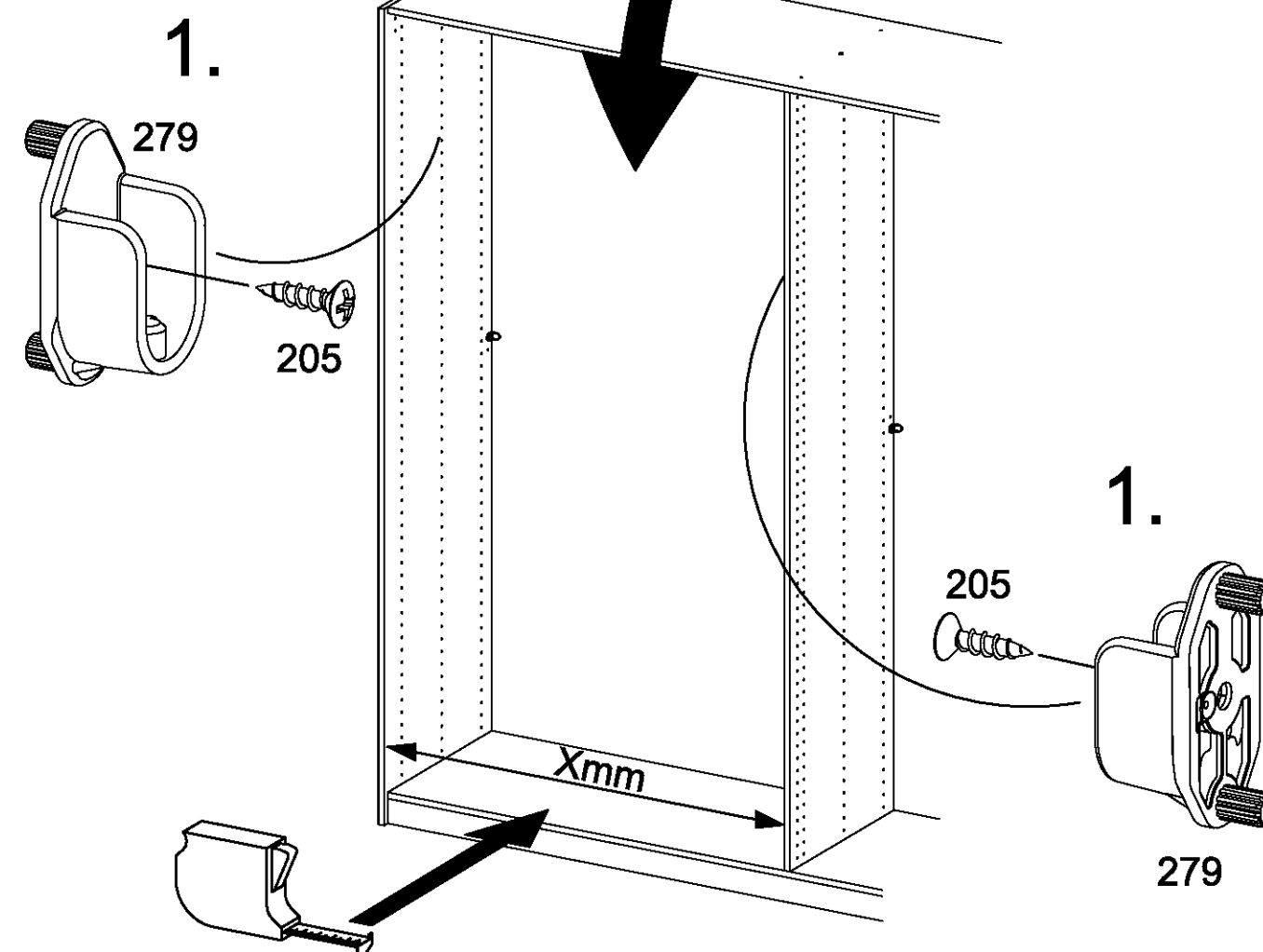
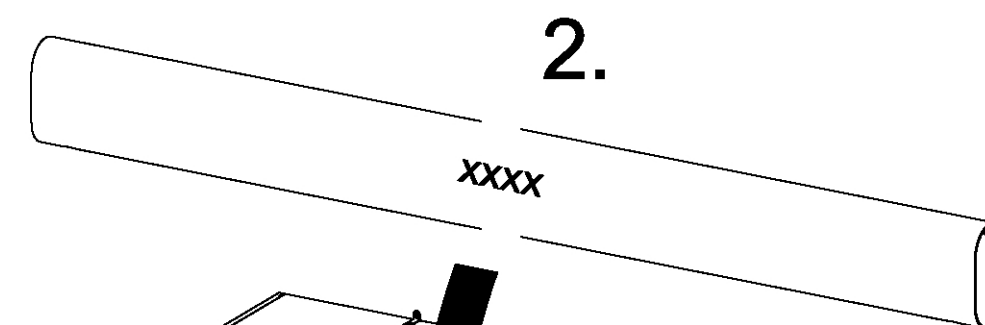
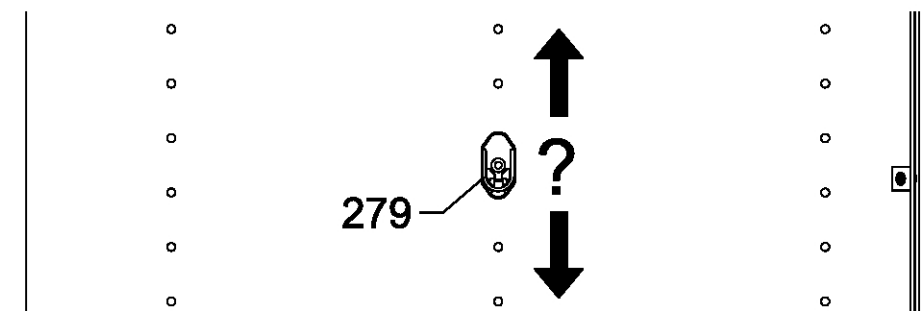
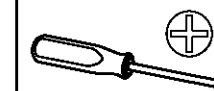
xxxx = 2000, 2001, 2002, 2003, 2004, 2006, 2008



1

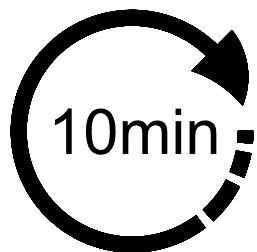
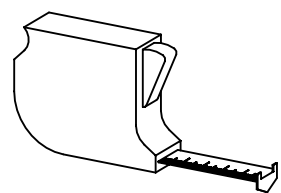
2x 205 3,5x15

2x 279

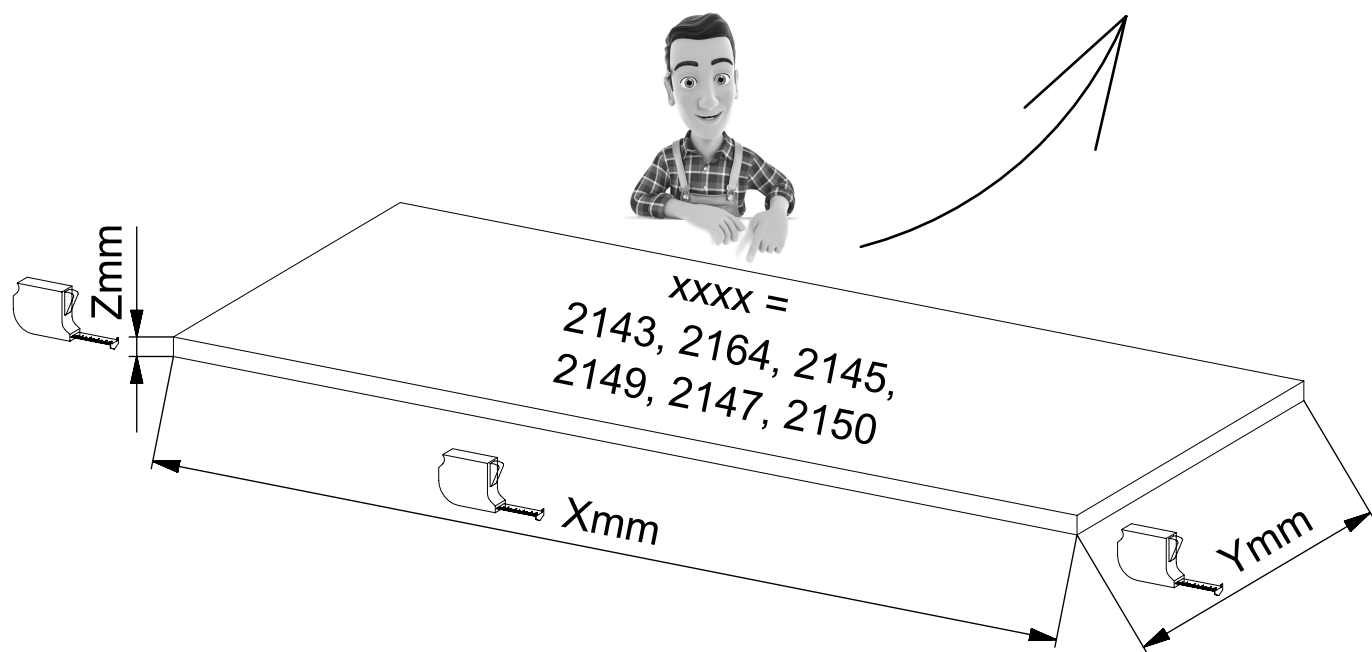


MZ112_03

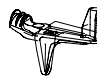
rauch

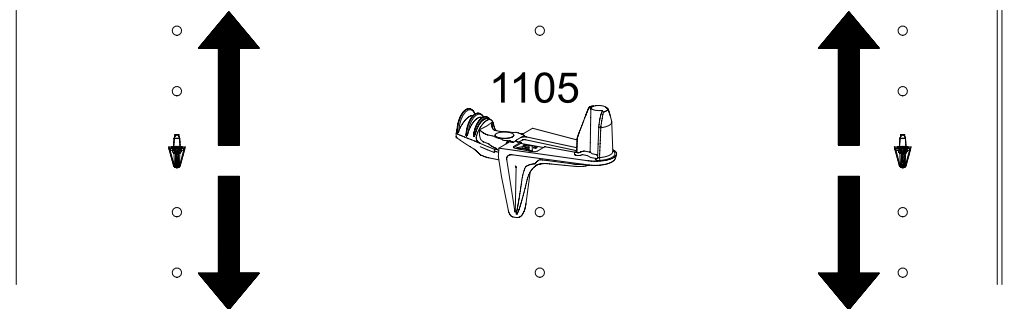


Xmm	Ymm	Zmm	 max. 10kg	XXXX
432mm	450mm	16mm	max. 10kg	2143
632mm	450mm	16mm	max. 10kg	2164
656mm	450mm	16mm	max. 10kg	2145
848mm	450mm	16mm	max. 10kg	2149
880mm	450mm	16mm	max. 10kg	2147
1064mm	450mm	22mm	max. 25kg	2150

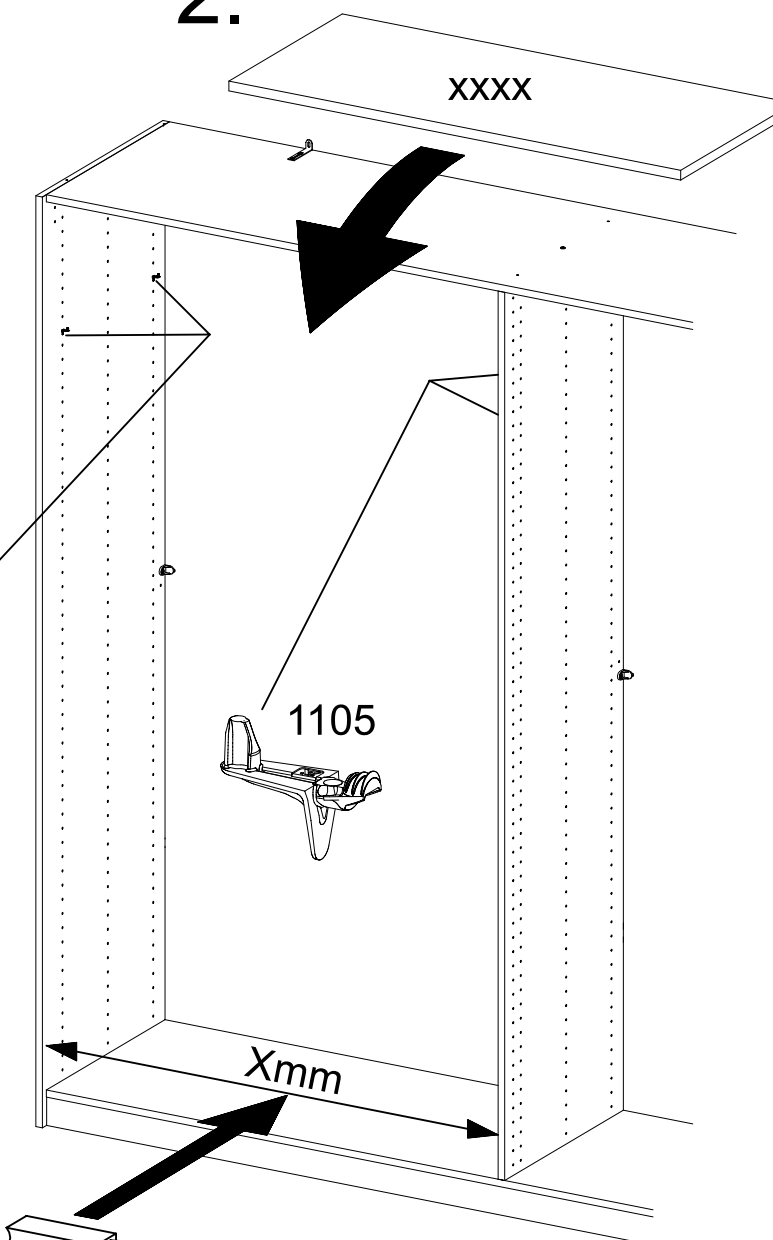


1

4x 1105 



2.



3.

