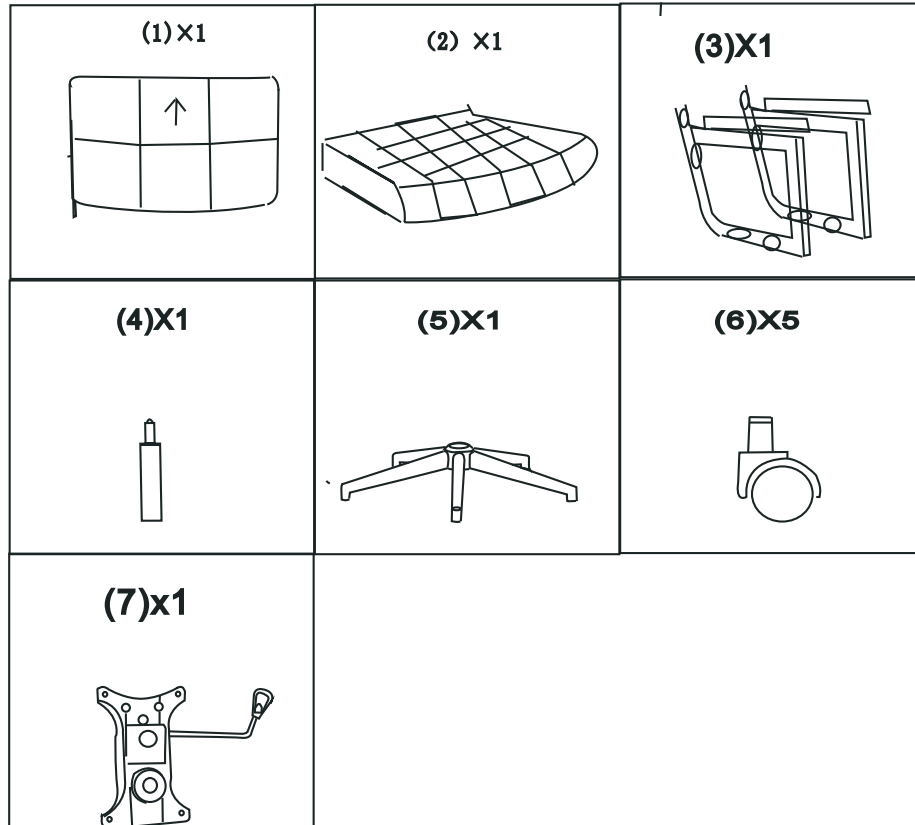


ASSEMBLY INSTRUCTION

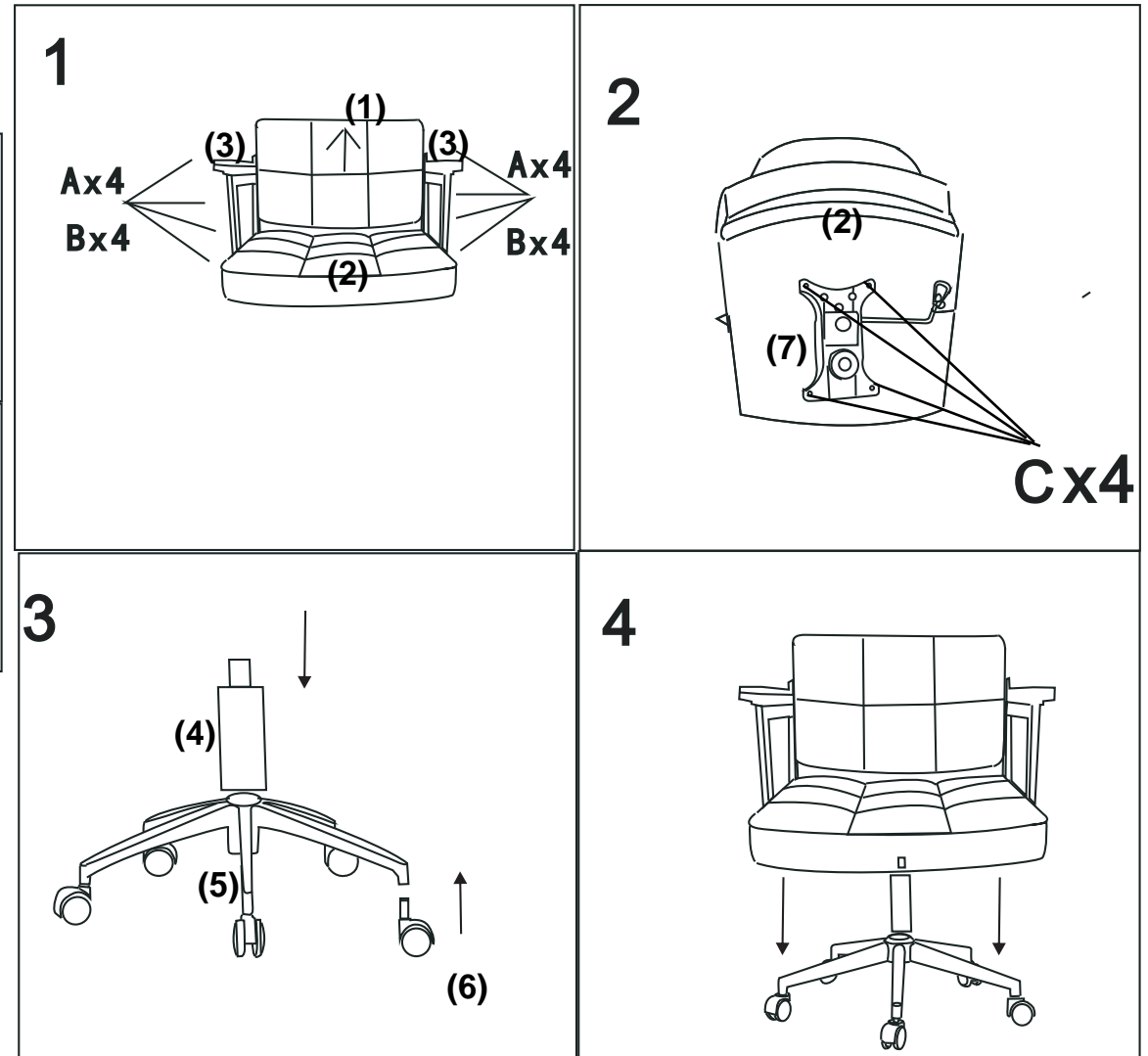


Ax8  M6X18mm Silver

Cx4  M6X18 mm Black

Bx8 

M6 



For correct assembly of this product all directional arrows should point in the same direction. Please check that all screws are FULLY tightened before using this chair. Depending on use, it may be necessary to tighten the components from time to time.

WARNING : Do not stand on the chair for any purpose.