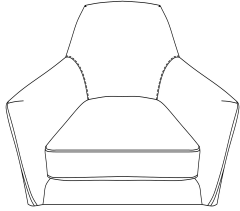
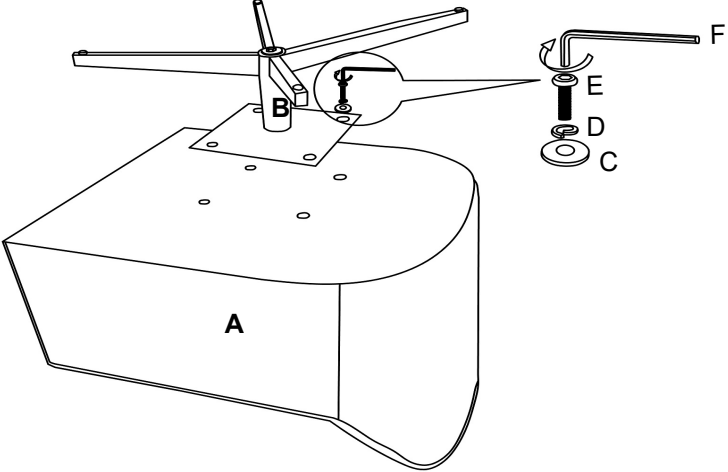


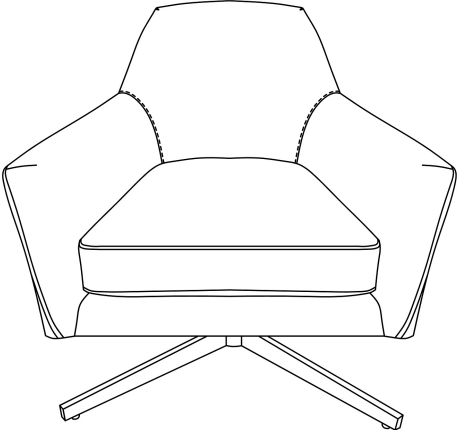





ASSEMBLY INSTRUCTIONS

Swivel Chair

<p>A Body</p>		<p>1PC</p>		
<p>B Metal Base</p>		<p>1PC</p>		
<p>C Flat Washer</p>	<p>Φ18mm</p>		<p>4PC</p>	
<p>D Spring Washer</p>	<p>Φ1/4"</p>		<p>4PC</p>	
<p>E Bolt</p>	<p>Φ1/4"*1-1/4"</p>		<p>4PC</p>	
<p>F Allen Key</p>	<p>5mm</p>		<p>1PC</p>	

NOTE: 1: MAXIMUM WEIGHT LIMIT 330LBS