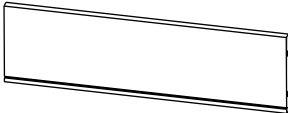
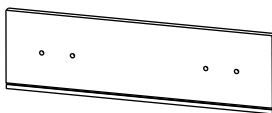
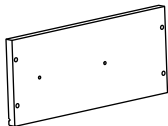
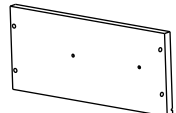

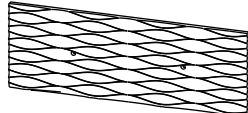

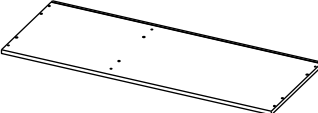
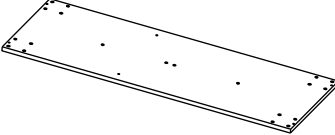


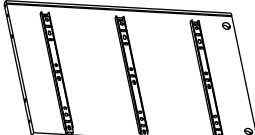
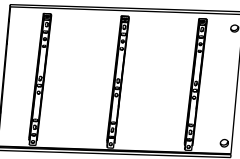
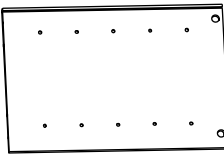

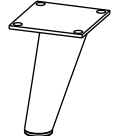

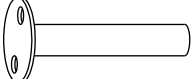

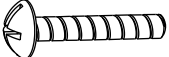


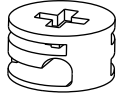
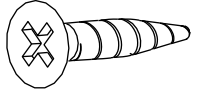
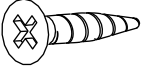
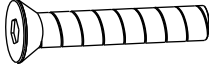

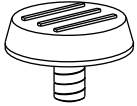
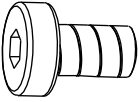
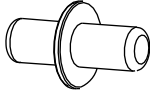
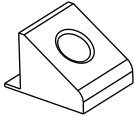
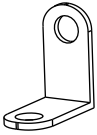
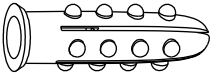

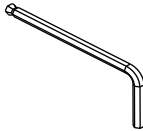
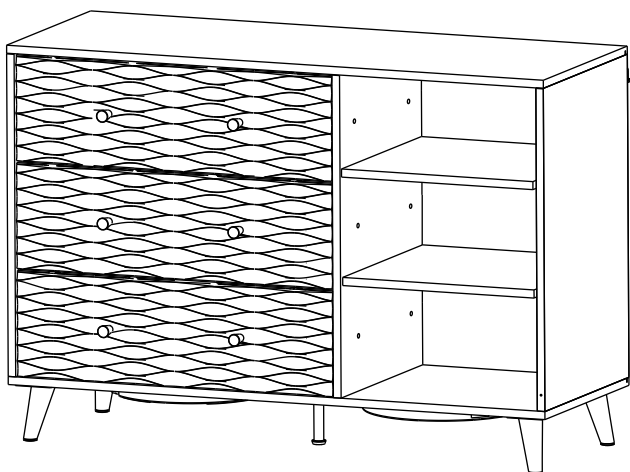


ASSEMBLY INSTRUCTION

ACCENT CHEST WITH GOLD DRAWER FRONT

A Drawer Back Board 	B Drawer Front Board 	C Drawer Right Board 	D Drawer Left Board 
3pcs	3pcs	3pcs	3pcs
E Drawer Bottom Board 	F Front Board 	G Knob 	H Top Board 
3pcs	3pcs	6pcs	1pc
I Bottom Board 	J Small Back Board 	K Large Back Board 	L Middle Board 
1pc	1pc	1pc	1pc
M Left Board 	N Right Board 	O Wood Shelf 	P Leg 
1pc	1pc	2pcs	4pcs
Q Round Pedestal 	R Support 	S Screw 8 x 1-1/2" 	T Screw 3/16" x 7/8" 
2pcs	1pc	40pcs	6pcs

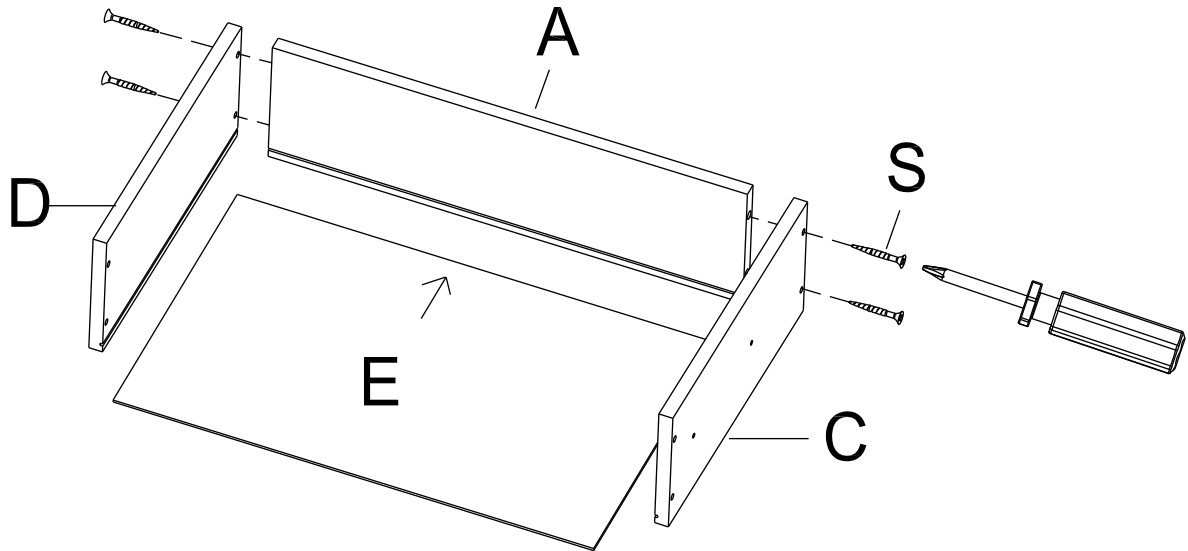
U	Wood Dowel 8 x 30mm  12pcs	V	Cam Bolt 6 x 38mm  6pcs	W	Cam Lock 15mm  6pcs	X	Screw 8 x 5/8"  16pcs
Y	Screw 6 x 1/2"  18pcs	Z	Bolt 1/4" x 1-1/2"  2pcs	AA	Flat Washer 36mm  4pcs	AB	Leveler 1/4" x 7/8"  1pc
AC	Bolt 1/4" x 1/2"  2pcs	AD	Tenon 16mm  8pcs	AE	Holder 16 x 12mm  6pcs	AF	L Bracket 25mm  4pcs
AG	Wall Anchor 26mm  2pcs	AH	Plastic Strap 250mm  2pcs	AI	Allen Wrench 1/4"  1pc		



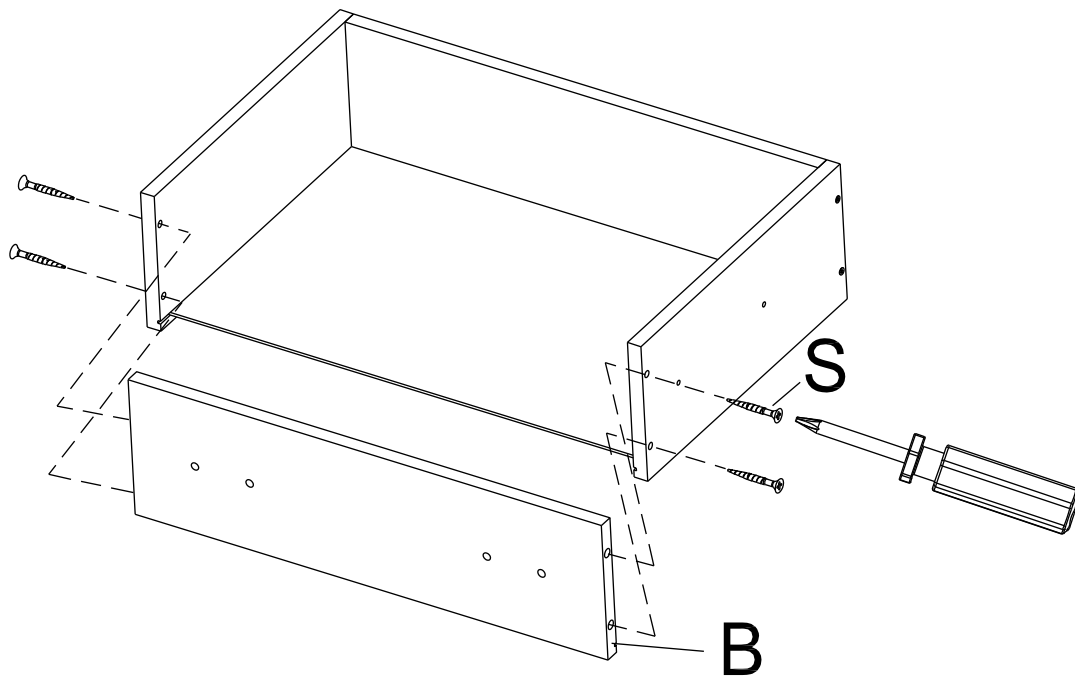
These pages list all the contents included in the box. Please take the time to identify the hardware as well as the individual components to this product. As you unpack and prepare for assembly, place the contents on a carpeted or padded area to protect them from damage.

***** Do not tighten screws & bolts until the entire unit is completely assembled.**

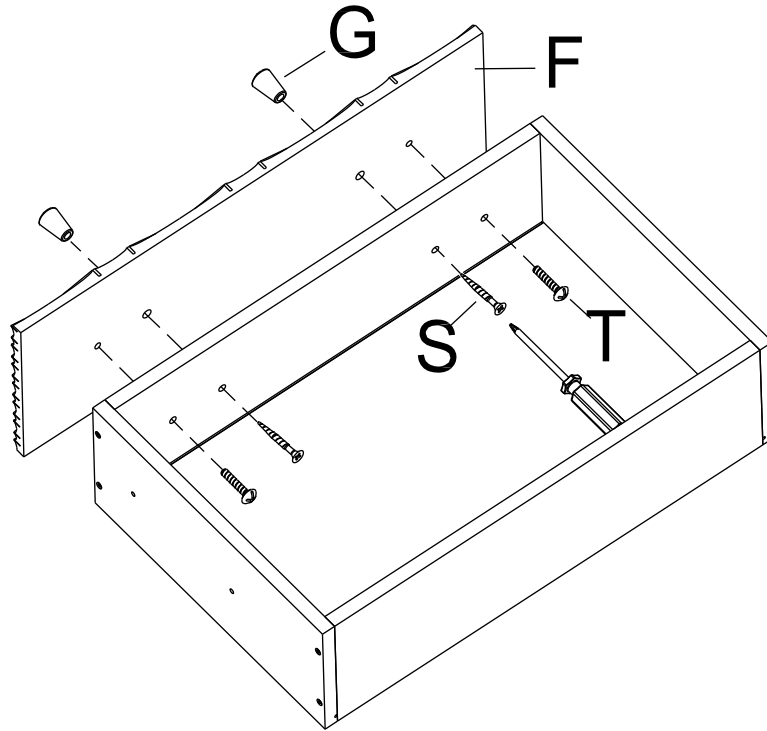
1 Assemble Drawer Back Board (A), Drawer Left Board (D), Drawer Right Board (C) and Drawer Bottom Board (E) together by Screw (S) as shown.



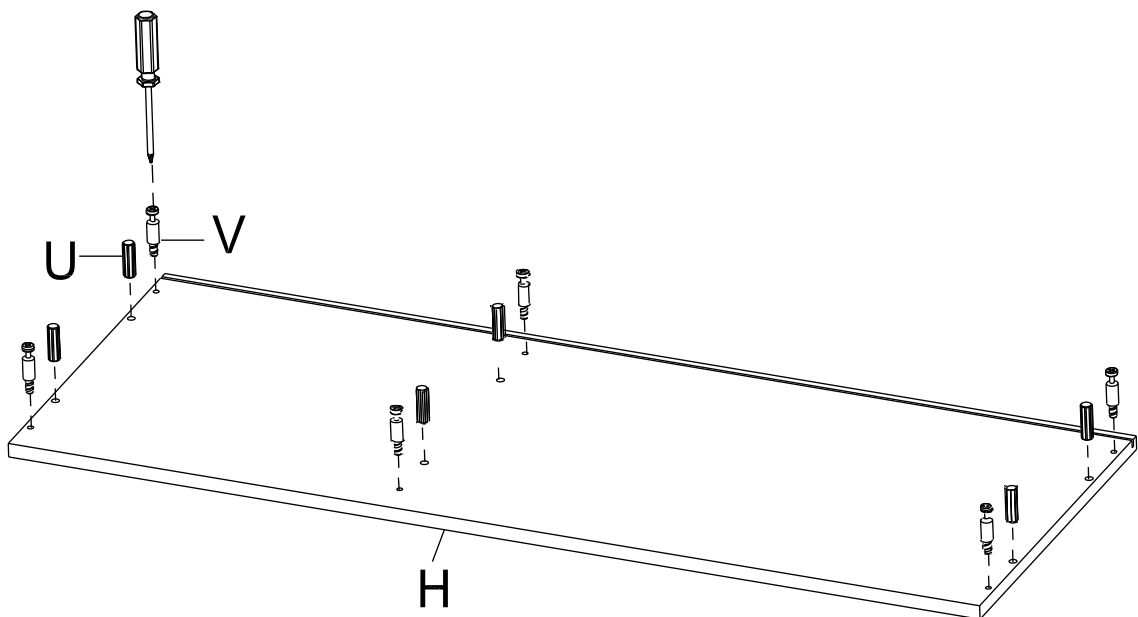
2 Attach Drawer Front Board (B) to the assembled drawer by Screw (S) as shown.



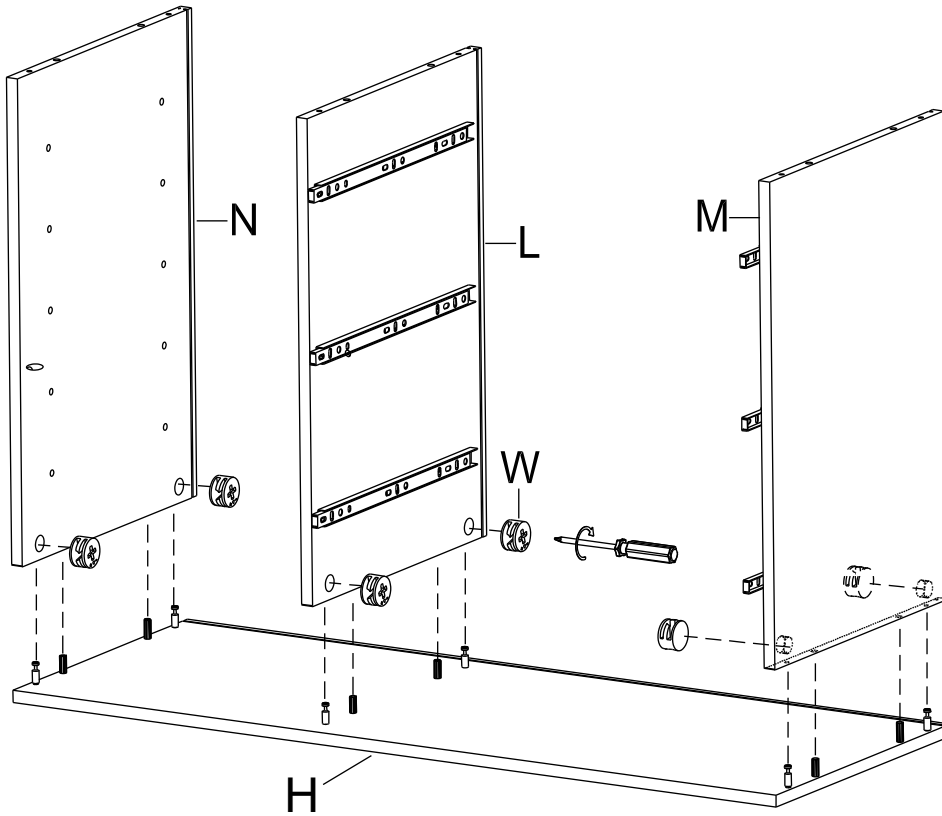
3 Attach Front Board (F) and Knob (G) to the assembled drawer by Screw (S) and Screw (T) as shown.



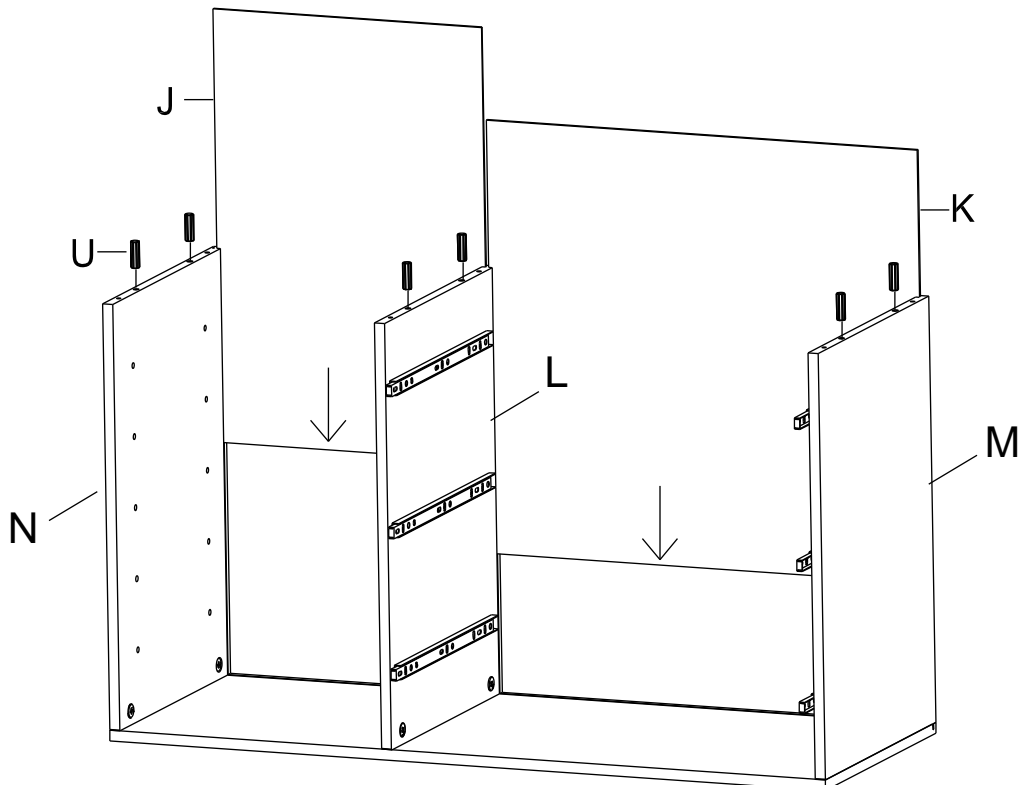
4 Assemble Cam Bolt (V) and Wood Dowel (U) to Top Board (H) as shown.



5 Attach Left Board (M), Middle Board (L) and Right Board (N) to Top Board (H) by Cam Lock (W) as shown.

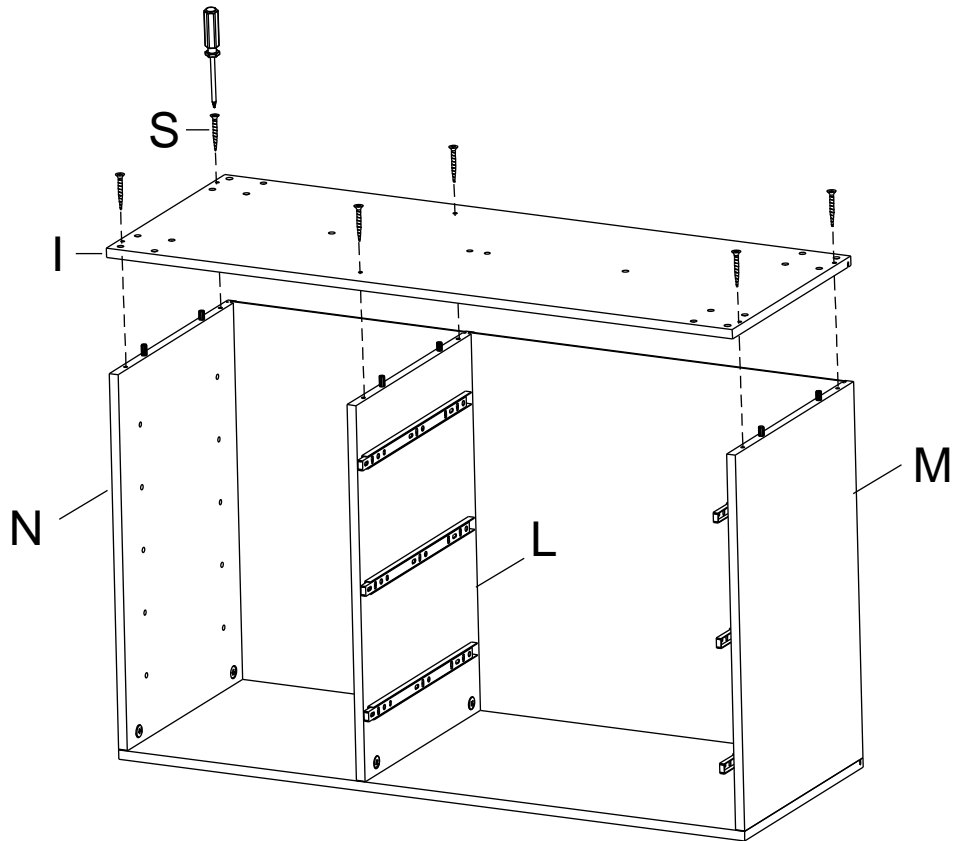


6 Put down Small Back Board (J) and Large Back Board (K), then assemble Wood Dowel (U) to Left Board (M), Middle Board (L) and Right Board (N) as shown.

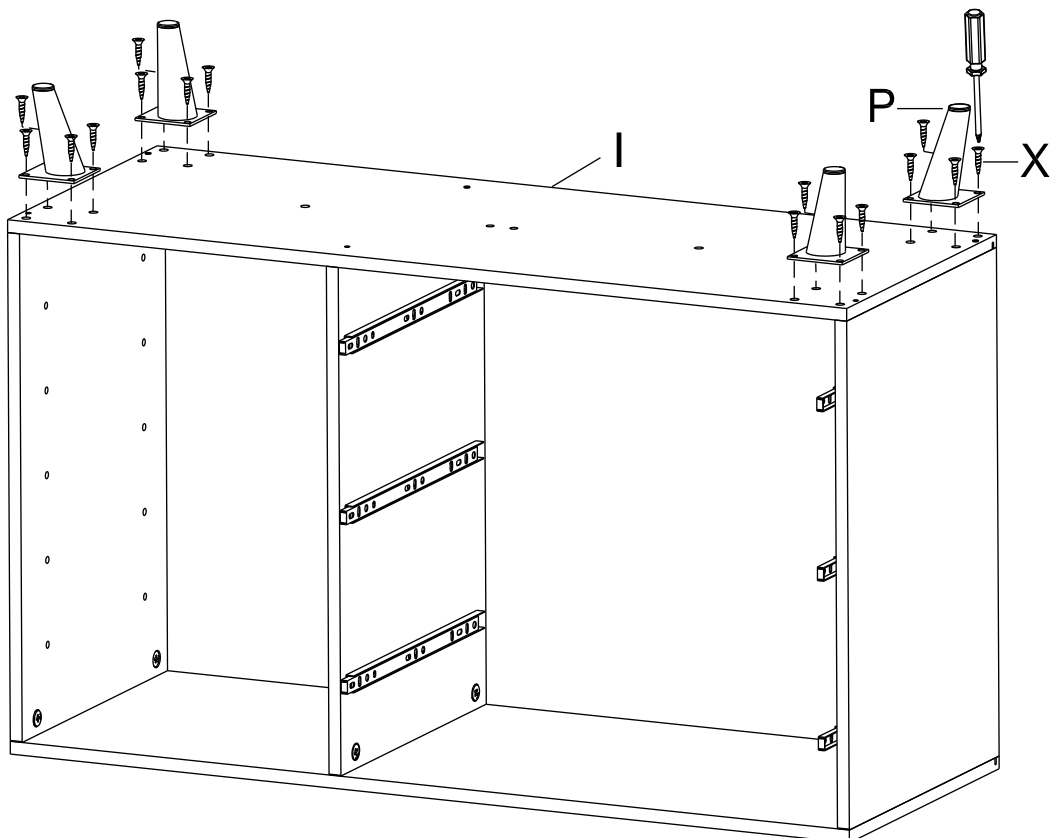


7

Attach Bottom Board (I) to Left Board (M), Middle Board (L) and Right Board (N) by Screw (S) as shown.

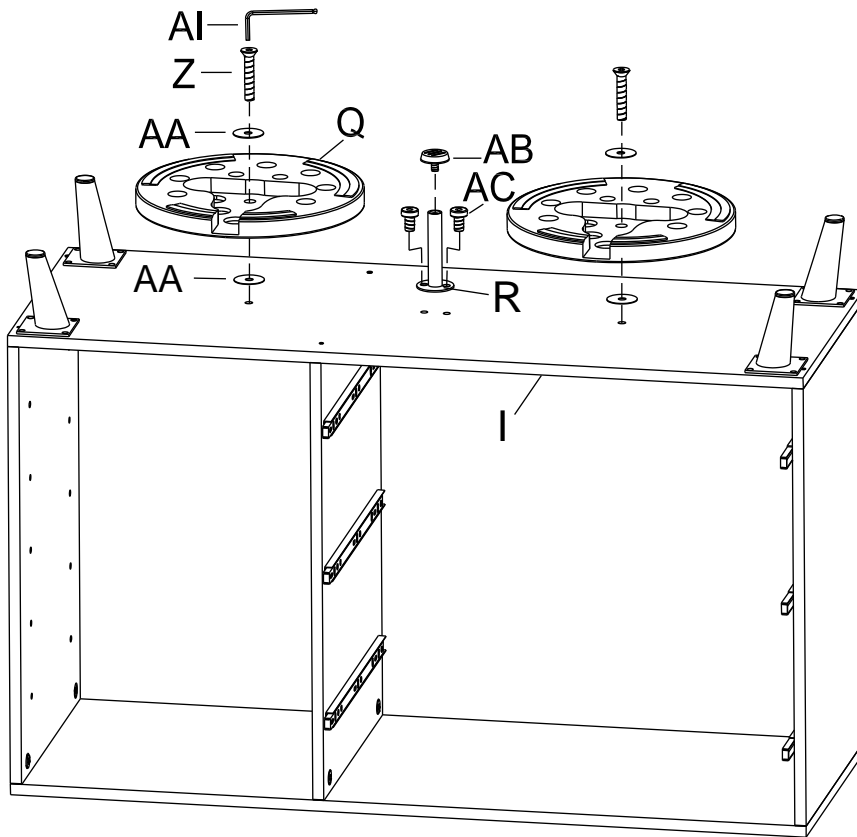
**8**

Attach Leg (P) to Bottom Board (I) by Screw (X) as shown.

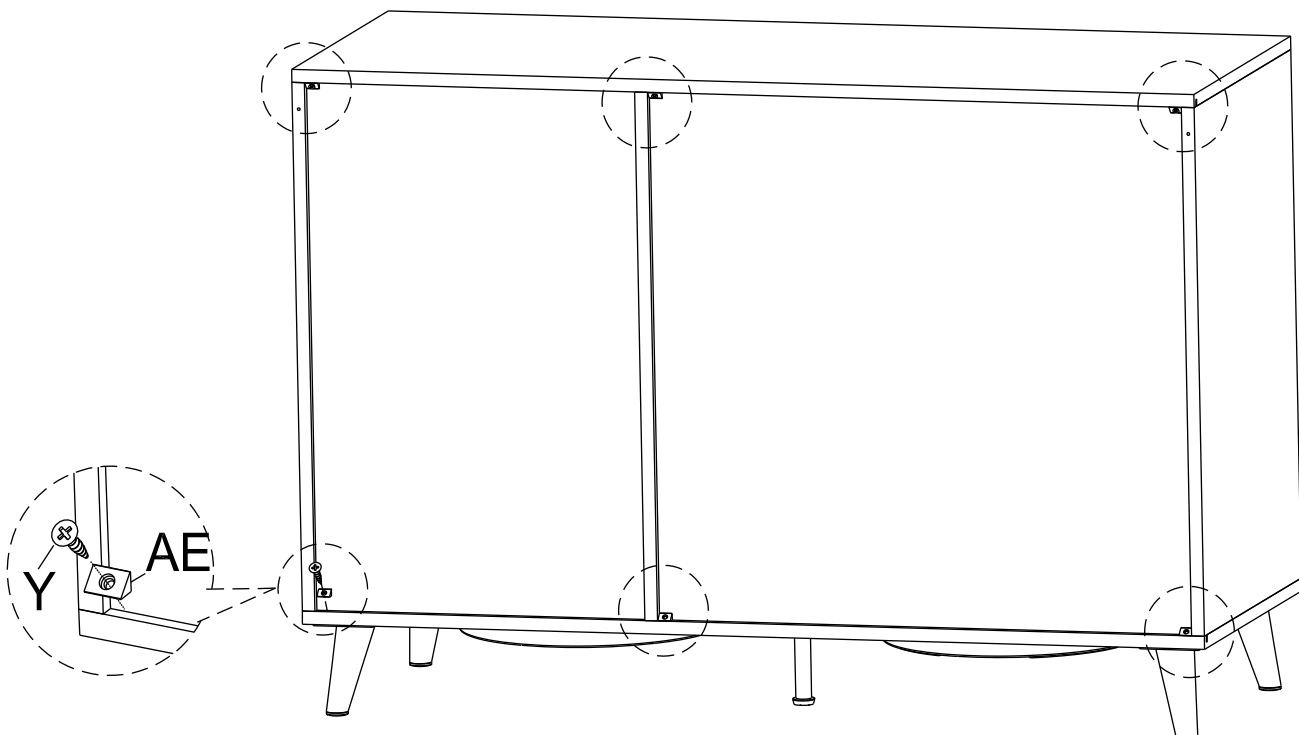


9

Attach Round Pedestal (Q) to Bottom Board (I) by Flat Washer (AA), Bolt (Z) and Allen Wrench (AI). Attach Support (R) to Bottom Board (I) by Bolt (AC) and Allen Wrench (AI). Then attach Leveler (AB) to the bottom of Support (R) as shown.

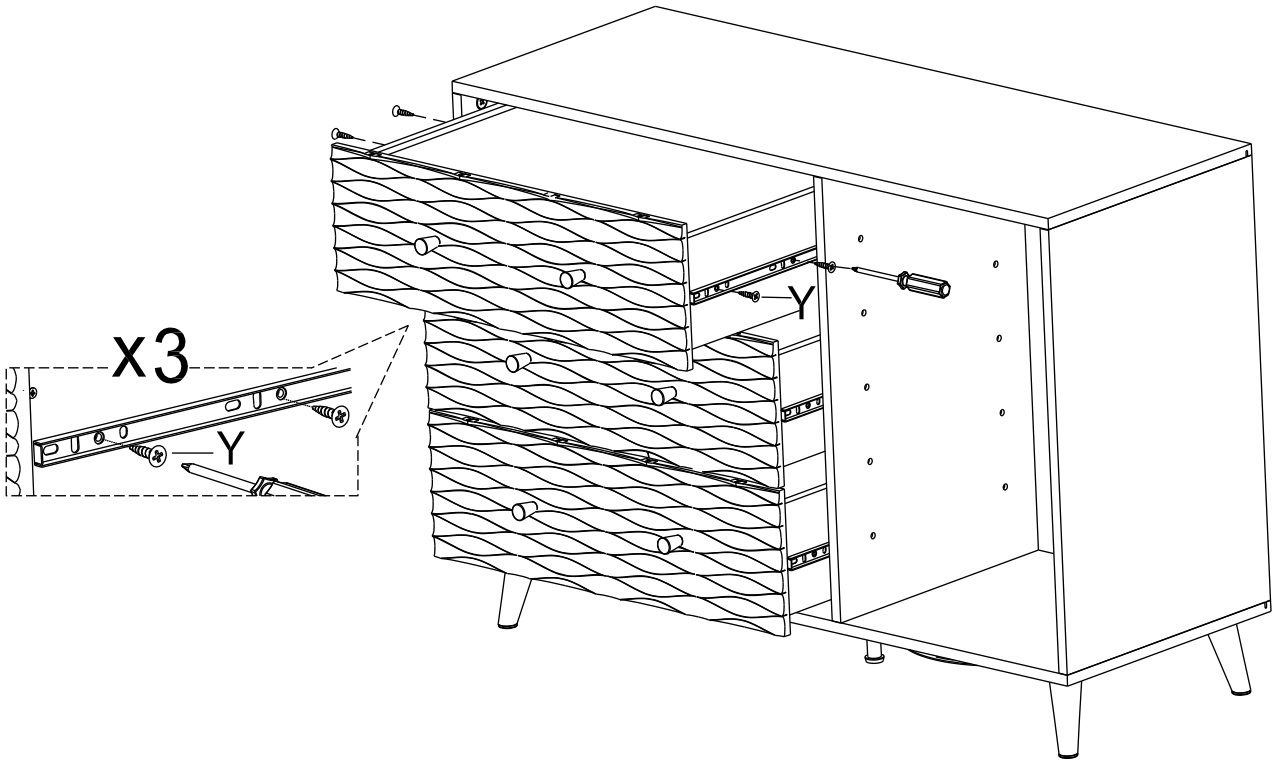
**10**

Turn the Accent Chest upright. Attach Holder (AE) to four corners of the back of the Accent Chest by Screw (Y) as shown.



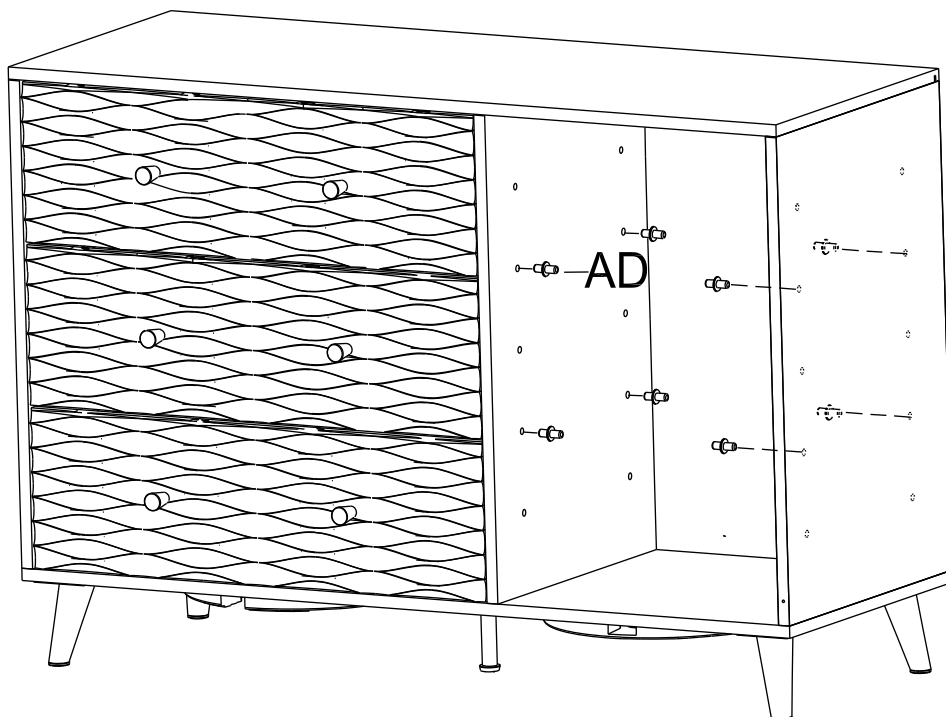
11

Assemble the Drawers to the Accent Chest by Screw (Y) as shown.



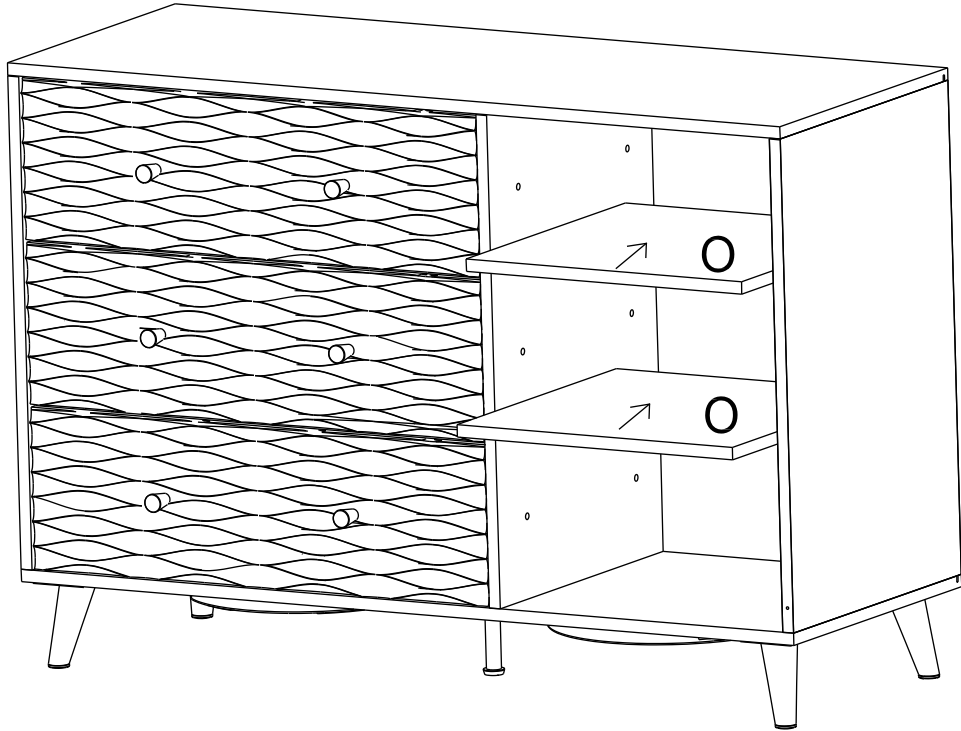
12

Attach Tenon (AD) to the Accent Chest as shown.



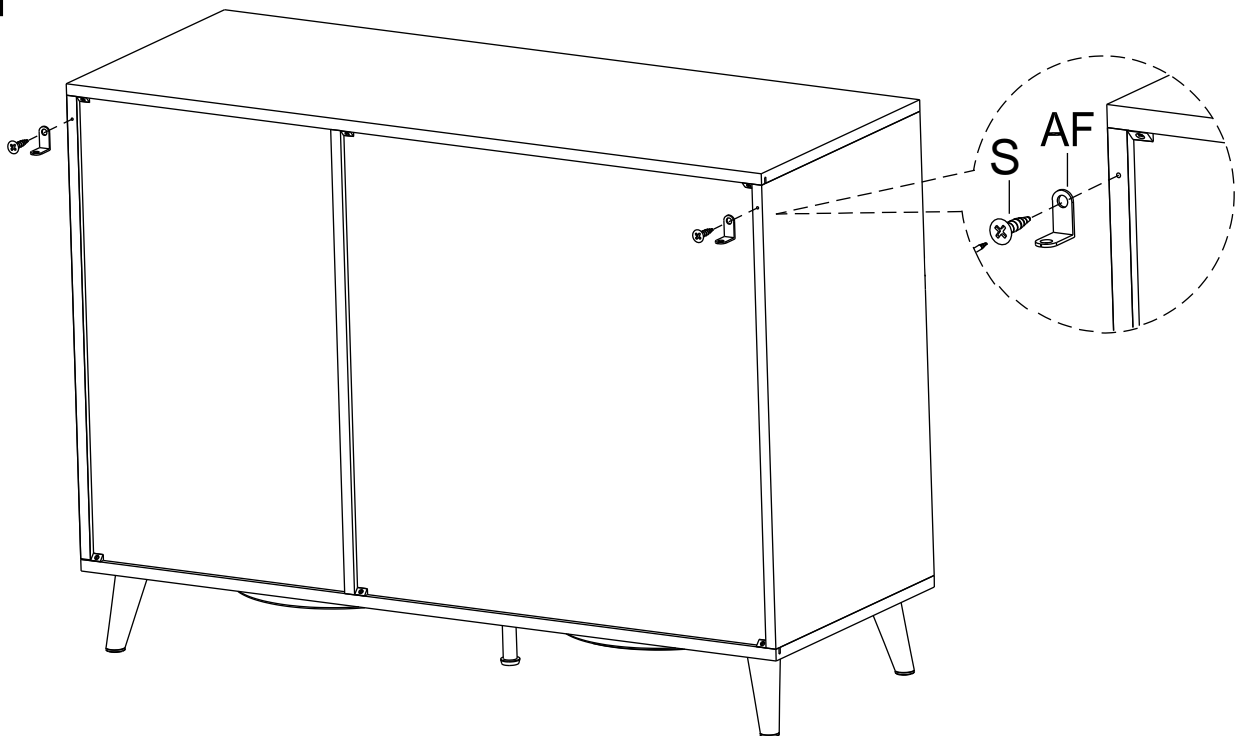
13

Place Wood Shelf (O) to the Accent Chest as shown.



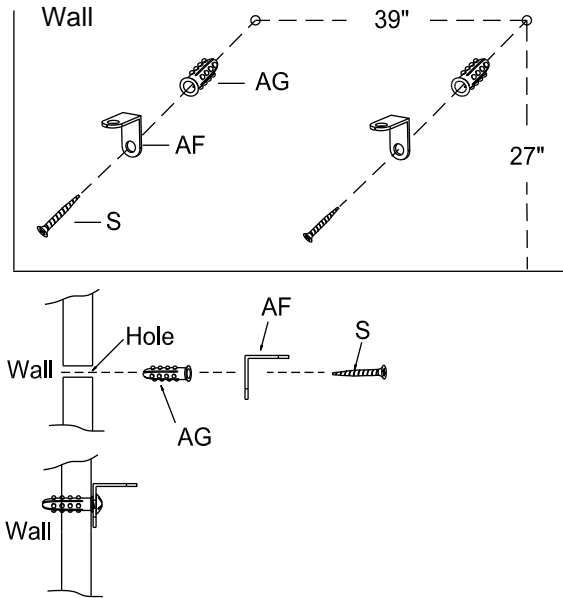
14

Assemble L Bracket (AF) to the back of the Accent Chest by Screw (S) as shown.



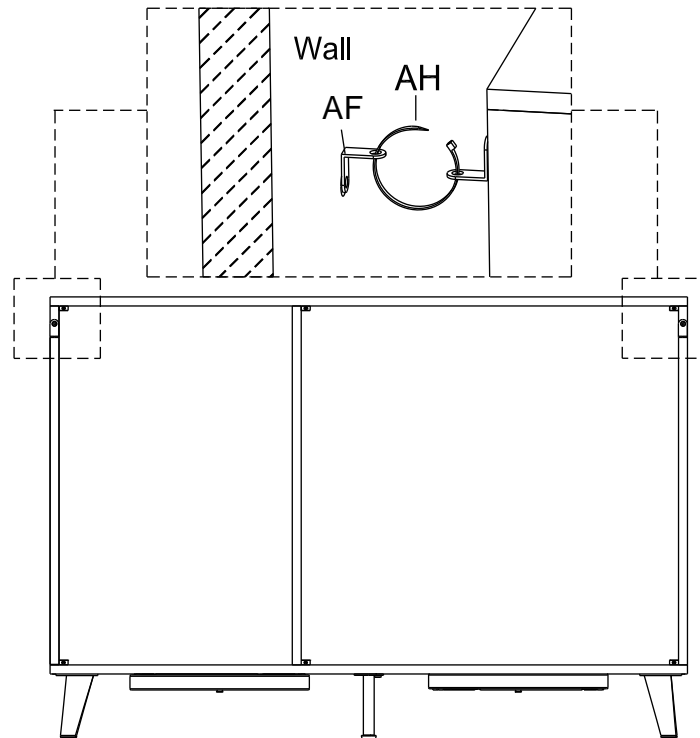
15

Select a location where you want the Accent Chest mounted. Mark on the wall the two locations where the Wall Anchor (AG) will be placed. Drill a hole for each anchor slightly smaller than the size of Screw (S). Push the Wall Anchor (AG) as far as it will go with your finger. Tap gently with a hammer until the anchors are in. Then align the L Bracket (AF) to the Wall Anchor (AG) and insert Screw (S) to secure.



16

Insert each end of the Plastic Strap (AH) into L Bracket (AF), then secure and tighten.



Cleaning & Care

Treat surface with care. Surface is resistant to scratches but is not scratch resistant. Clean surfaces with a dry or damp soft cloth. Do not use abrasive cleaners. Hardware may loosen over time. Periodically check that all connections are tight.