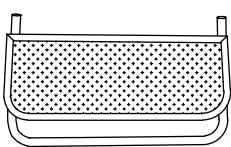
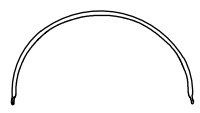

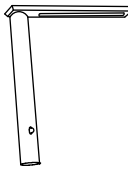
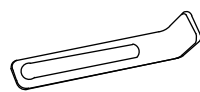

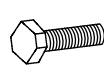
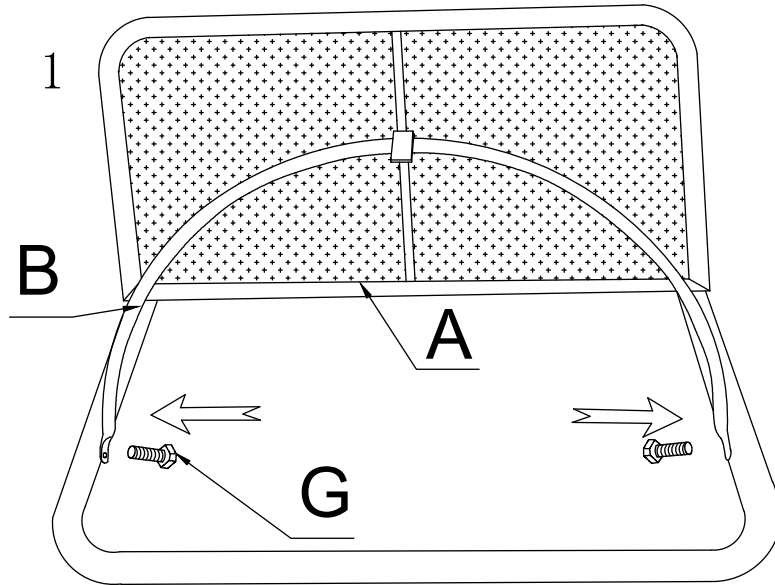
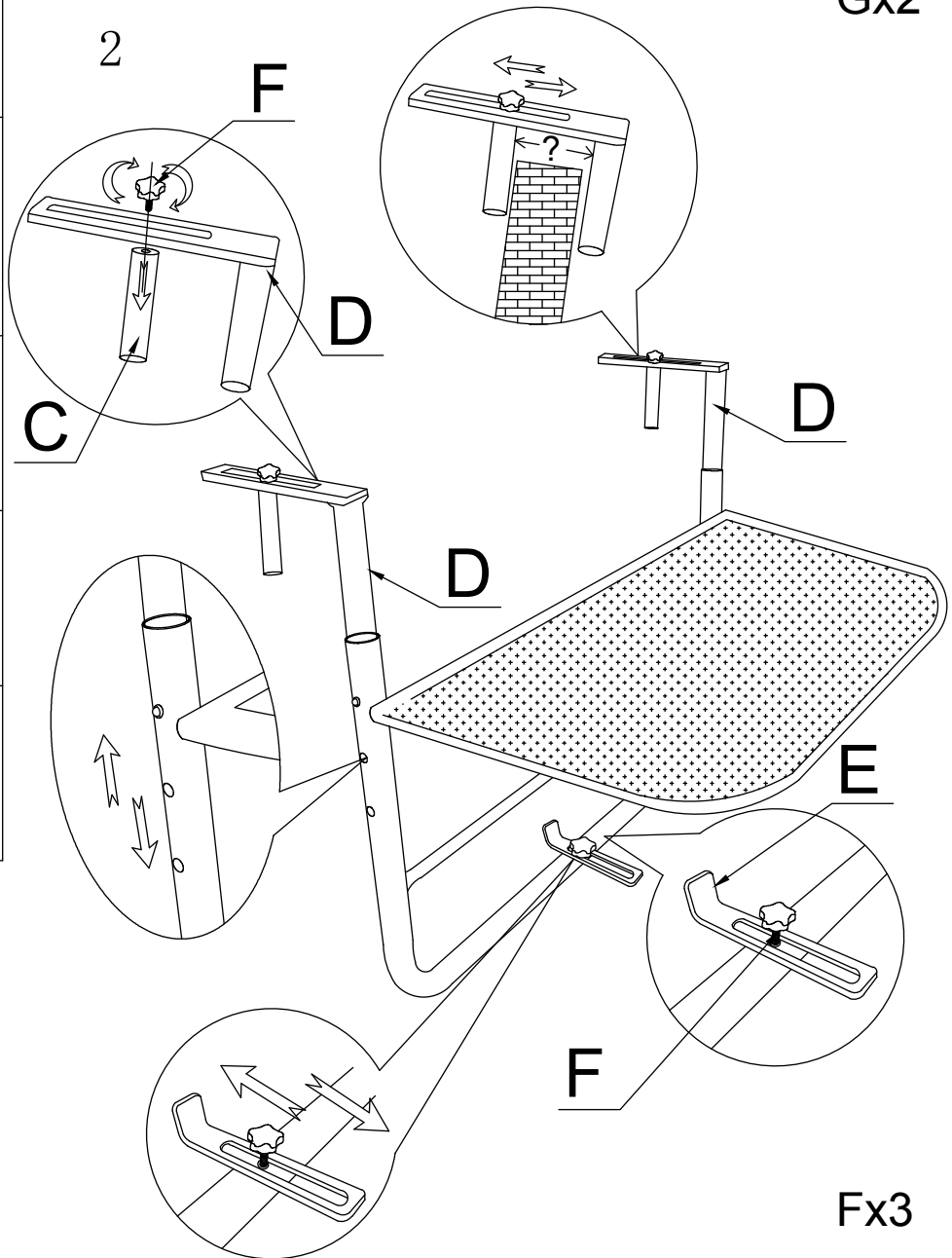


ASSEMBLY INSTRUCTION

A		1
B		1
C		2
D		2
E		1
F		3
G		2



Gx2



Fx3