

KINCAID

—SOLID WOOD SINCE 1946—

www.kincaidfurniture.com

phone :828-728-3261.

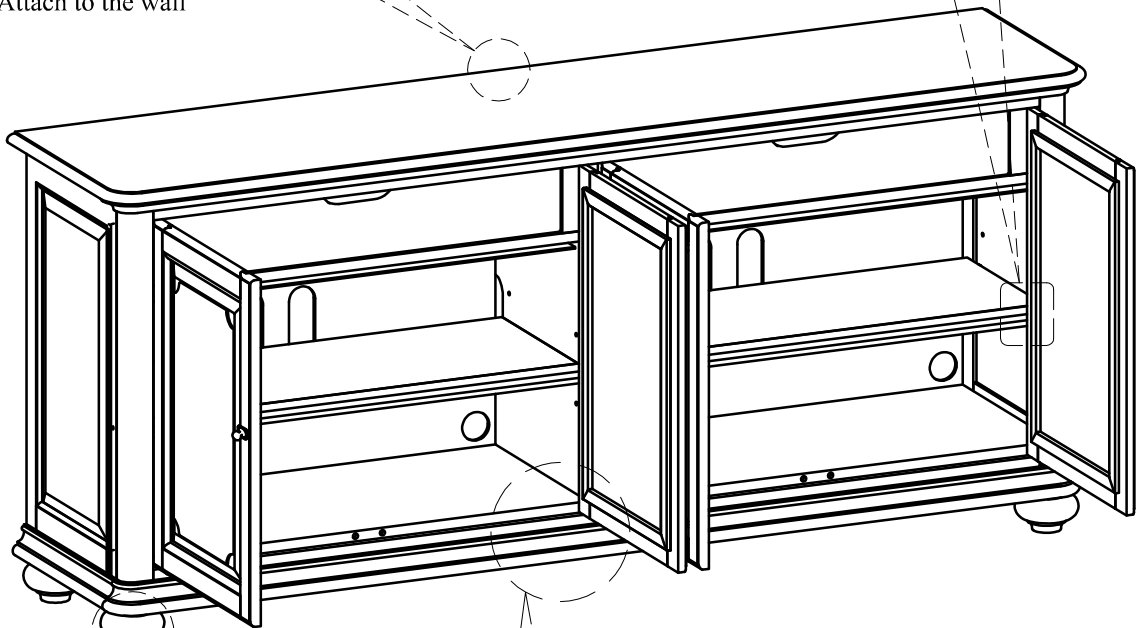
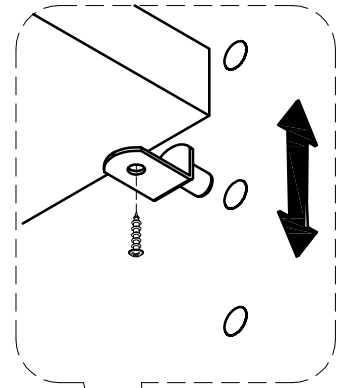
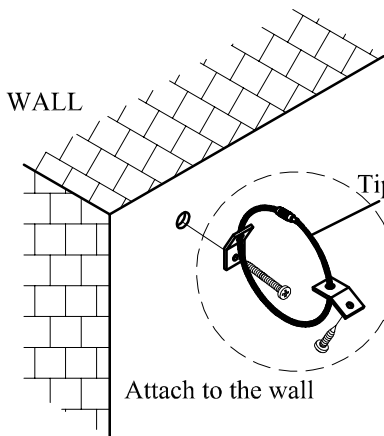
ASSEMBLY INSTRUCTION

161-586 Morton 76" Entertainment Console

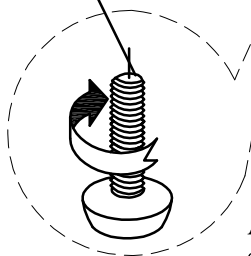
IMPORTANT NOTES

- . Place all wooden parts on clean and smooth surface such as rug or carpet to prevent the parts from being scratched.
- . Check to be sure that you have all parts and hardware.
- . Remove all wrapping materials, including staples and packing straps before you start to assemble.
- . Do not tighten all screws and bolts until completely assembled.
- . Keep all hardware out of the reach of children

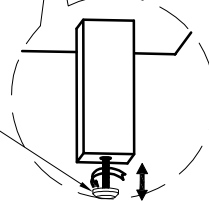
The adjustable shelves are screwed in place to avoid damage during transit. To adjust the shelf height, remove screws then place shelf pins in the desired level.



Adjustable Leveler



Adjustable Leveler



Adjust leveler if needed to level case on uneven floor.

MADE IN VIETNAM