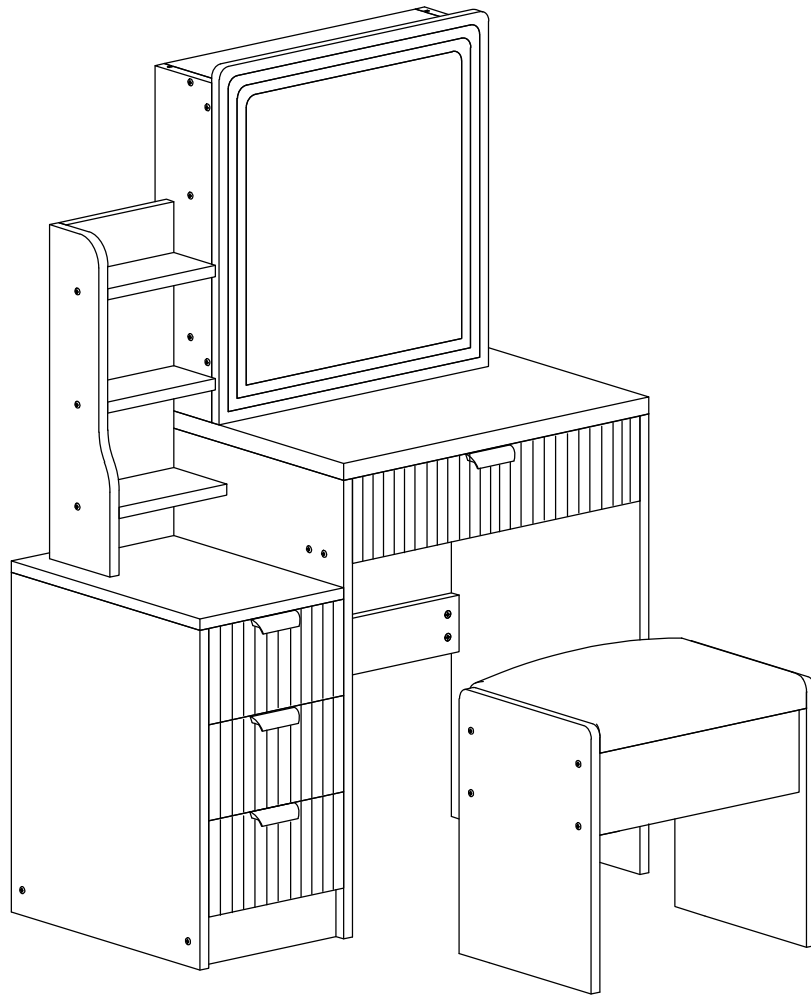
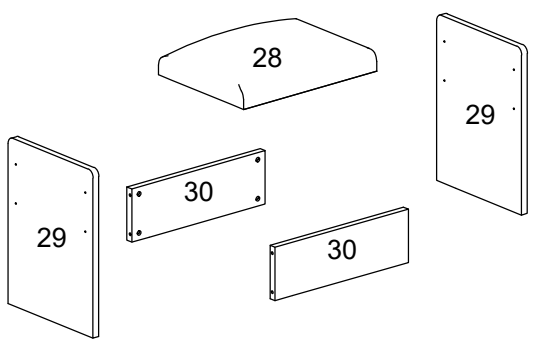
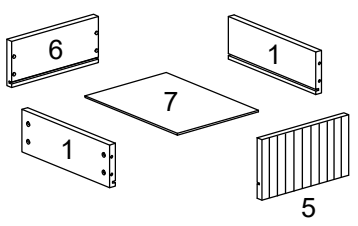
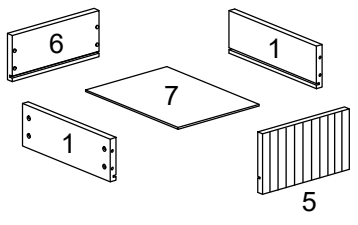
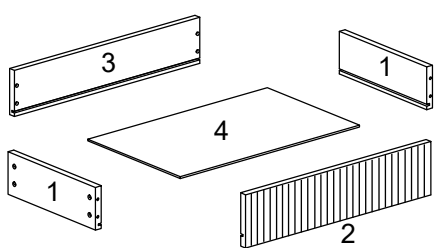
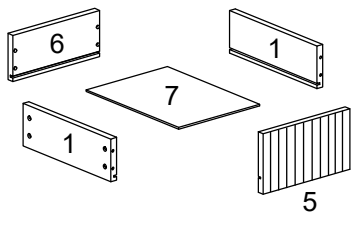
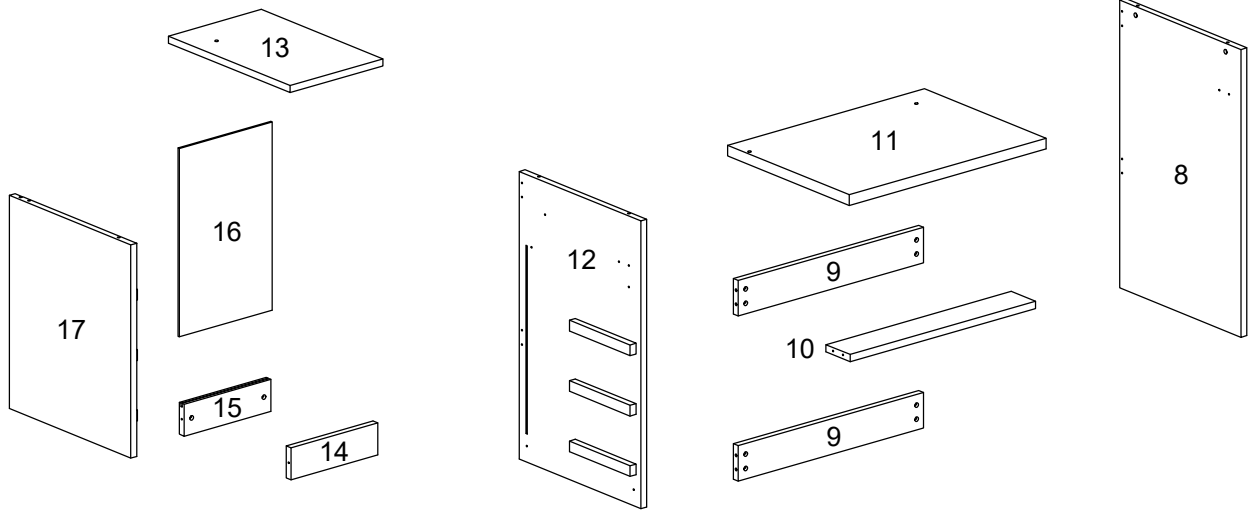
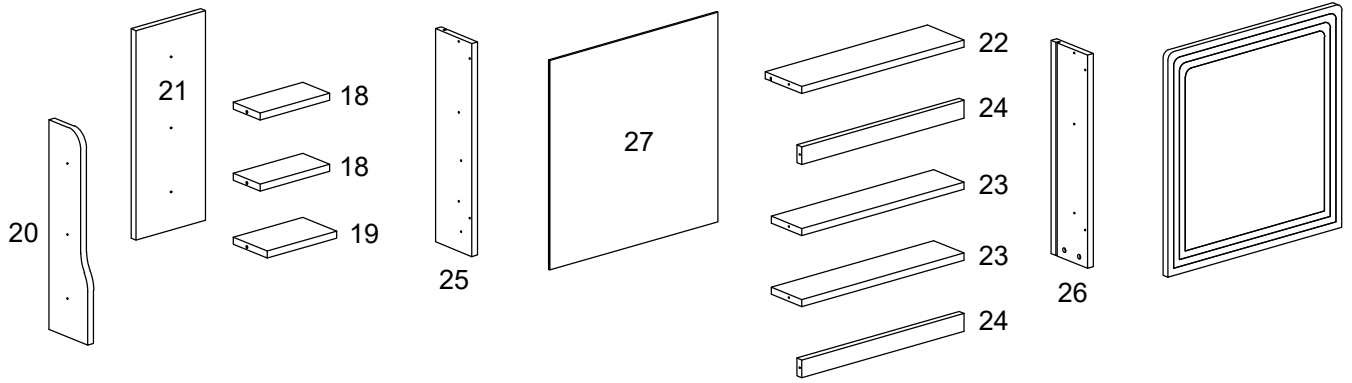


DRESSING TABLE

INSTALLATION MANUAL



**Thank you for purchasing the goods in our store this time
Please read this manual carefully before using it
Please keep this manual properly**



1 - x8	16 - x1
2 - x1	17 - x1
3 - x1	18 - x2
4 - x1	19 - x1
5 - x3	20 - x1
6 - x3	21 - x1
7 - x3	22 - x1
8 - x1	23 - x2
9 - x2	24 - x2
10 - x1	25 - x1
11 - x1	26 - x1
12 - x1	27 - x1
13 - x1	28 - x1
14 - x1	29 - x2
15 - x1	30 - x2

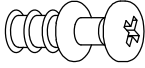
HARDWARE



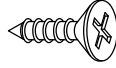
A	SCREW & PLASTIC LOCK	x45
---	----------------------	-----



B	SCREW & METAL LOCK	x43
---	--------------------	-----



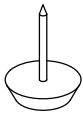
C	SCREW	x8
---	-------	----



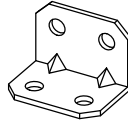
D	SCREW	x29
---	-------	-----



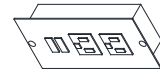
E	HANDLE	x4
---	--------	----



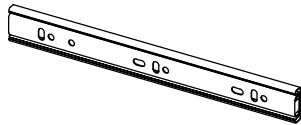
F	PLASTIC SHOE	x10
---	--------------	-----



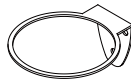
G	L PLATE	x2
---	---------	----



H	SOCKET	x1
---	--------	----



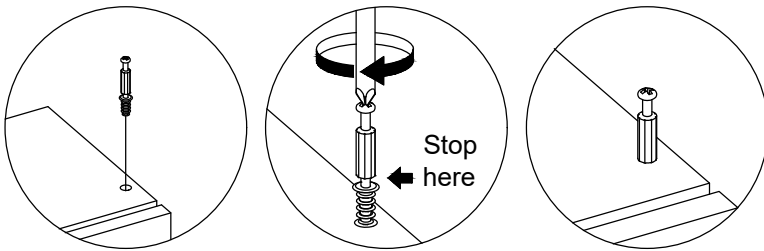
J	RAIL	x2
---	------	----



L	HAIR DRYER STAND	x1
---	------------------	----

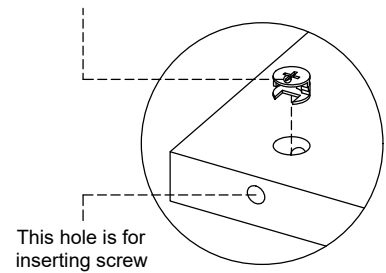
1. Screw installation method

When the screw is installed, please keep it in line with the board, and do not tighten it too tightly

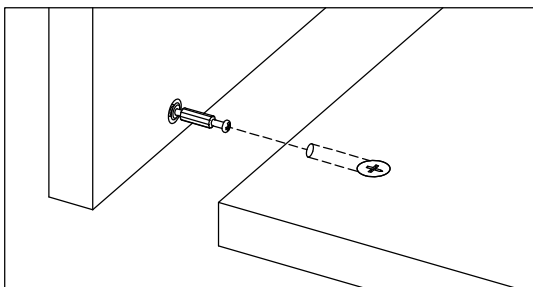


2. Check the Nut direction

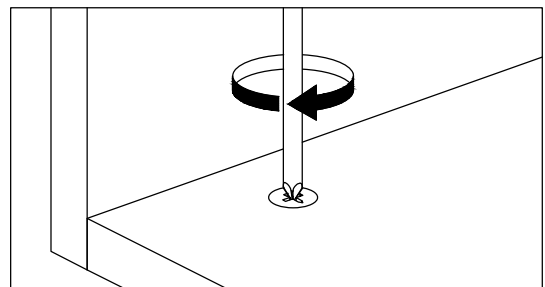
This direction of the marked nut is consistent with the direction in which the screw is inserted



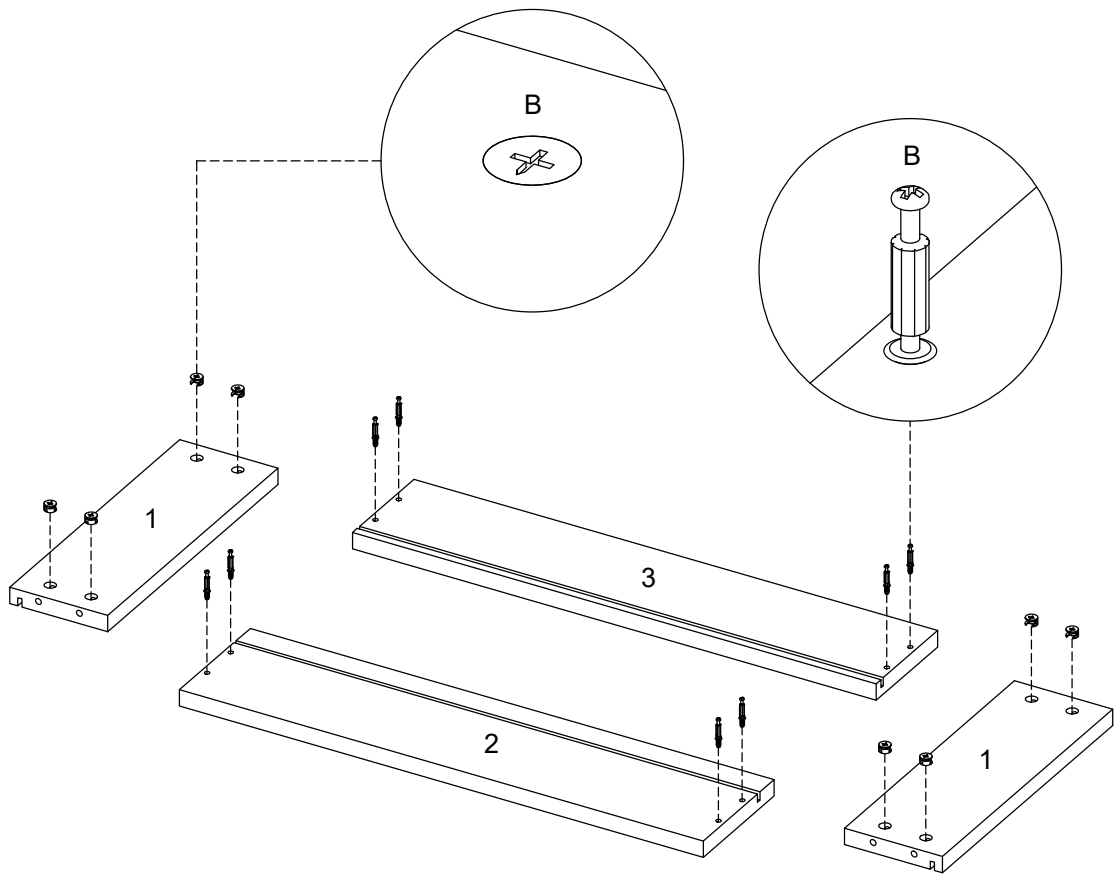
3. Installation on the board with fixing screws



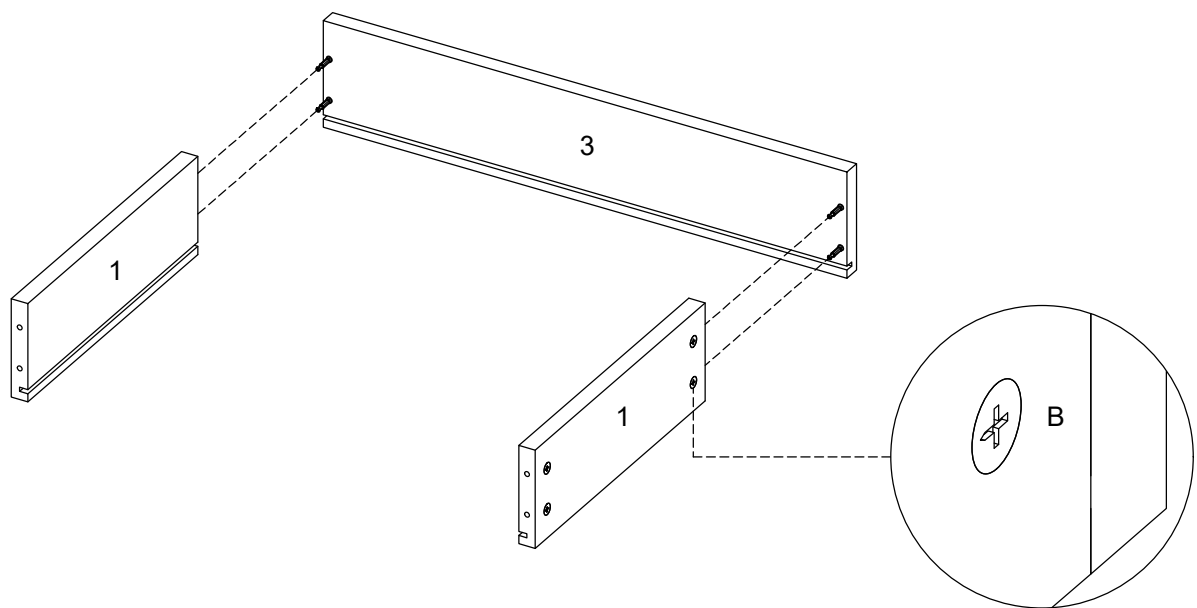
3. Rotate slowly until it stops



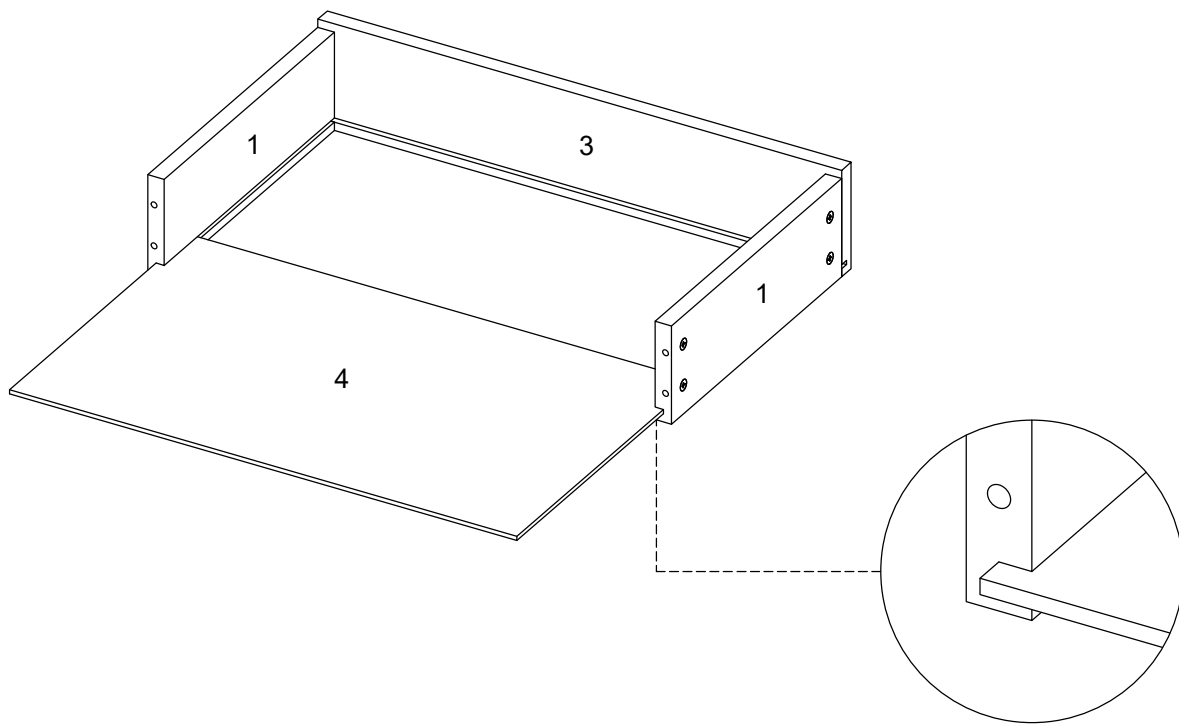
Step 01



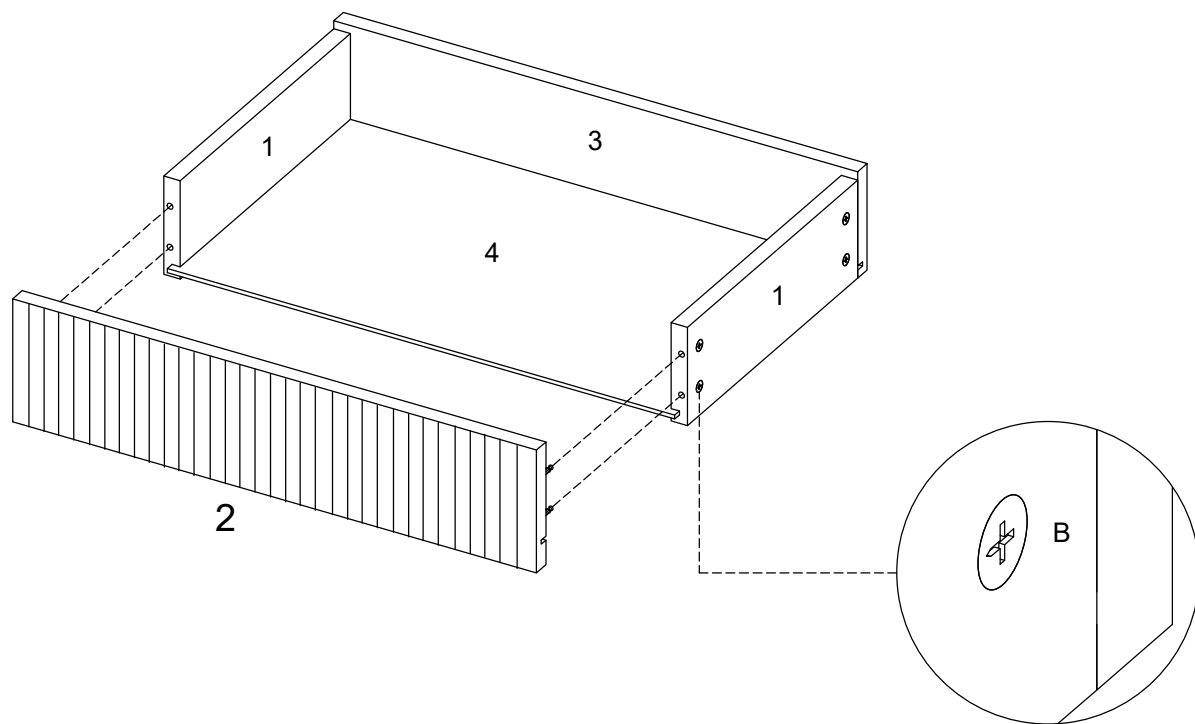
Step 02



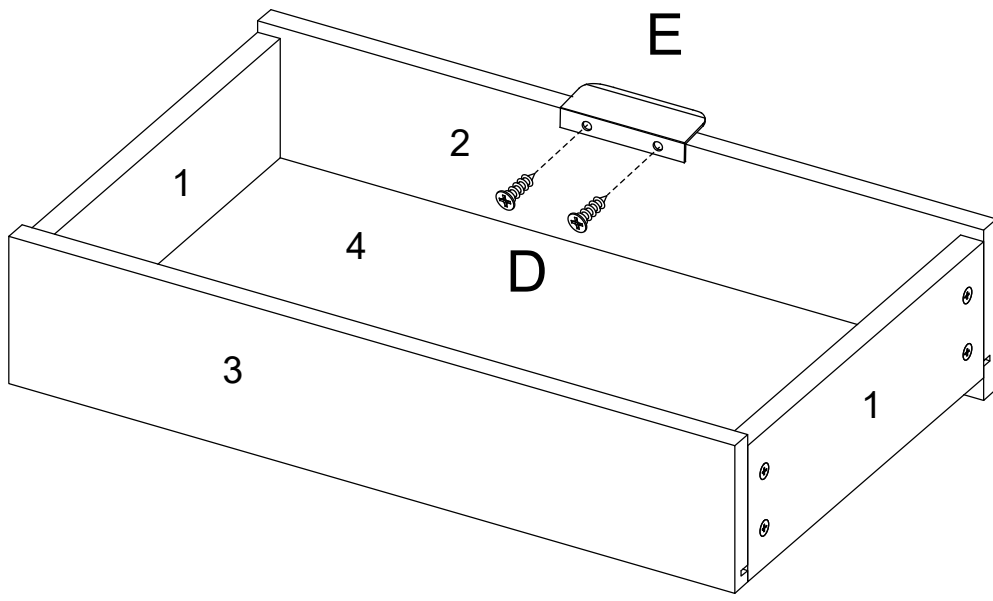
Step 03



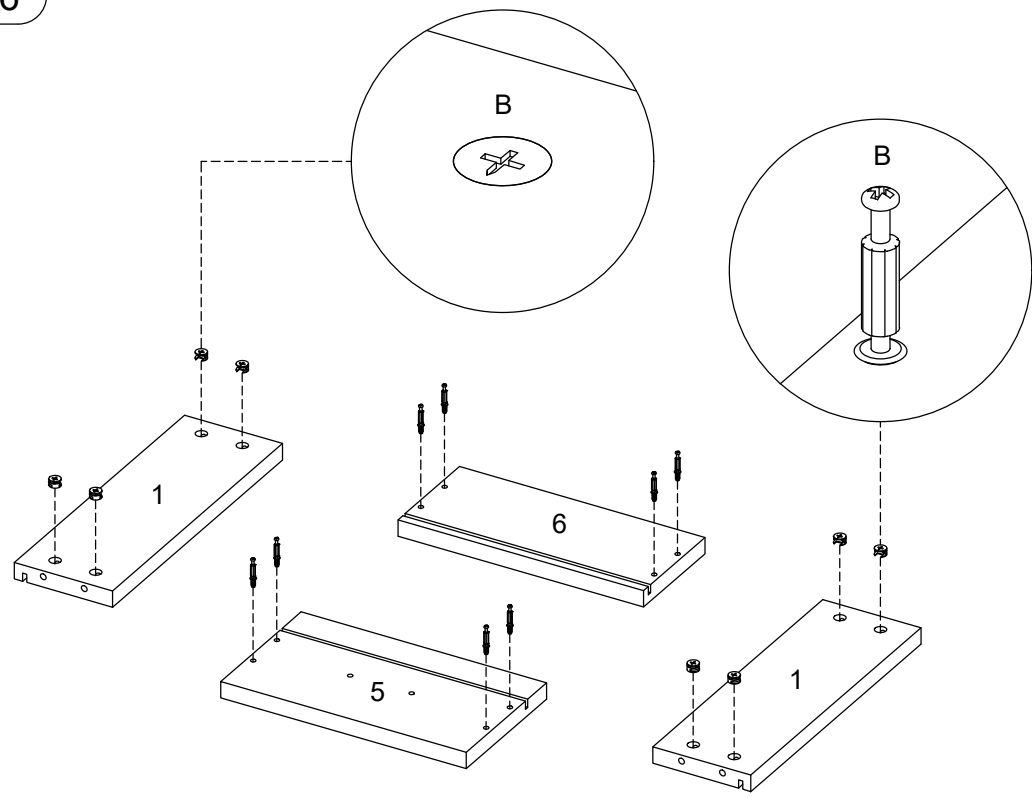
Step 04



Step 05



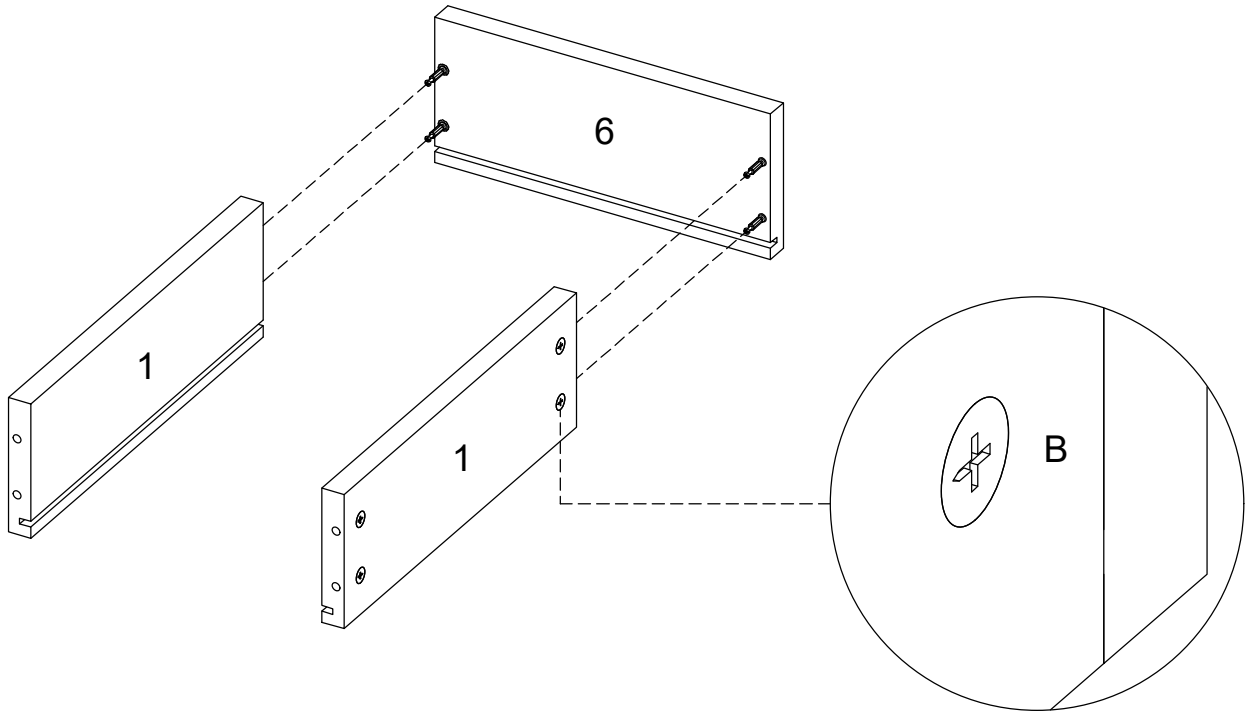
Step 06



x3

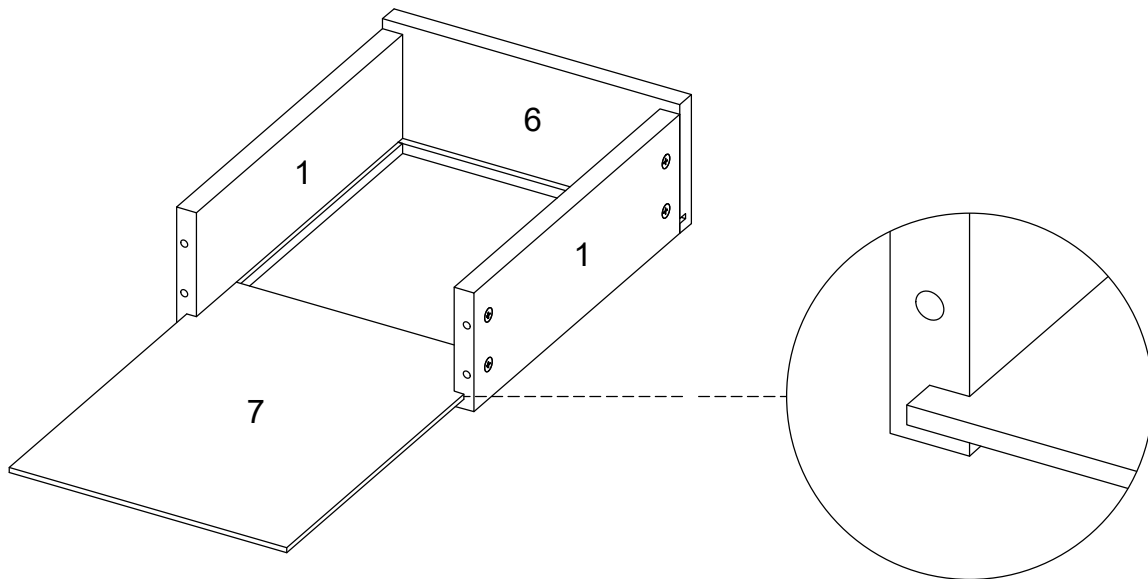
Step 07

x3



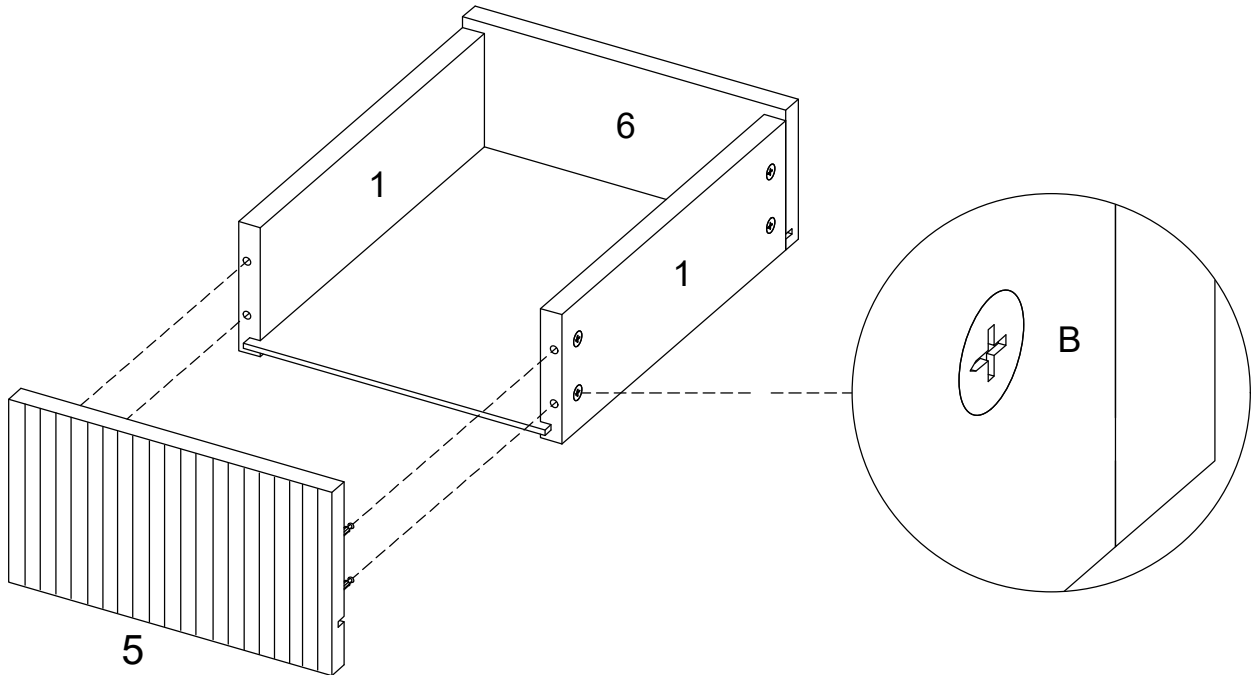
Step 08

x3



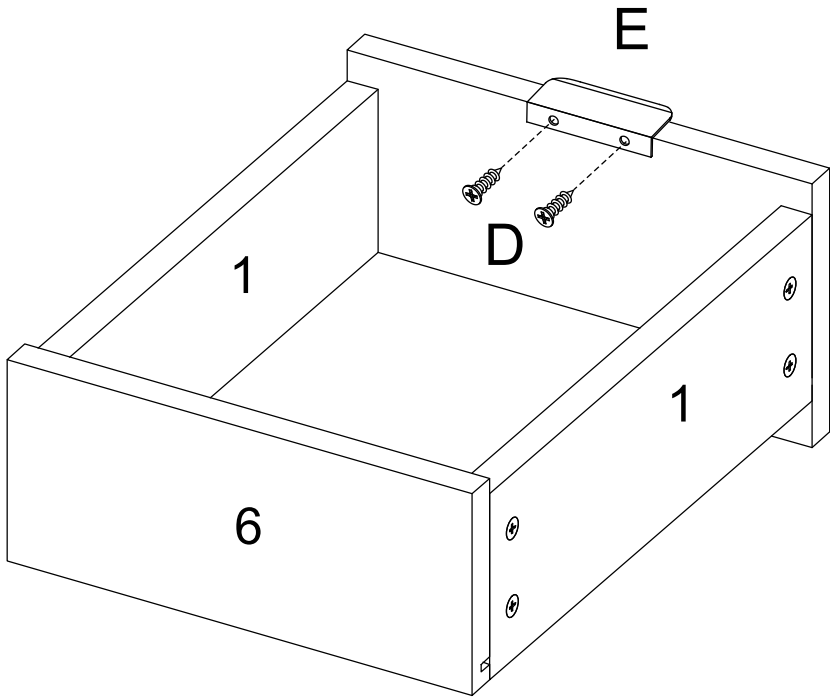
Step 09

x3

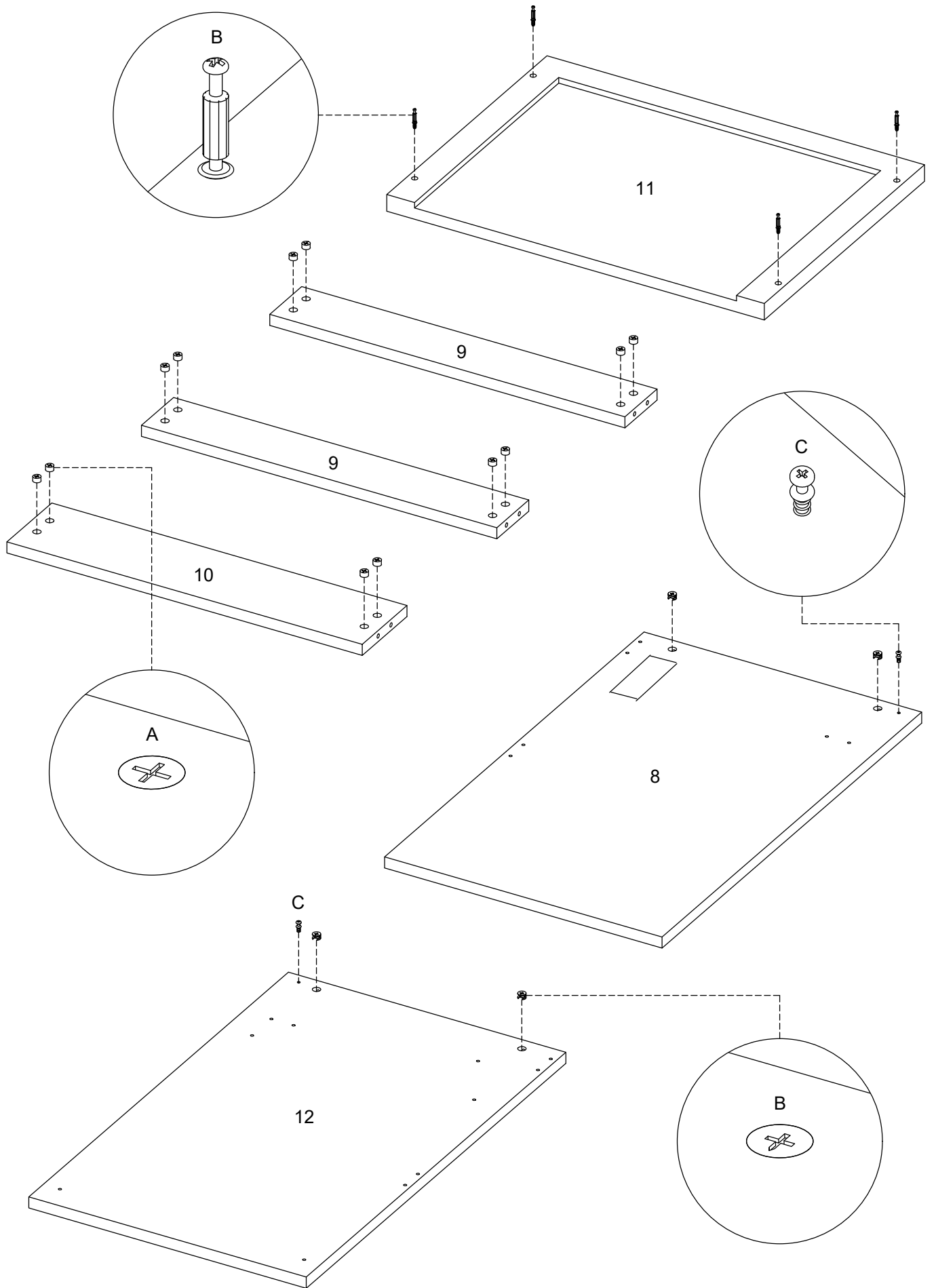


Step 10

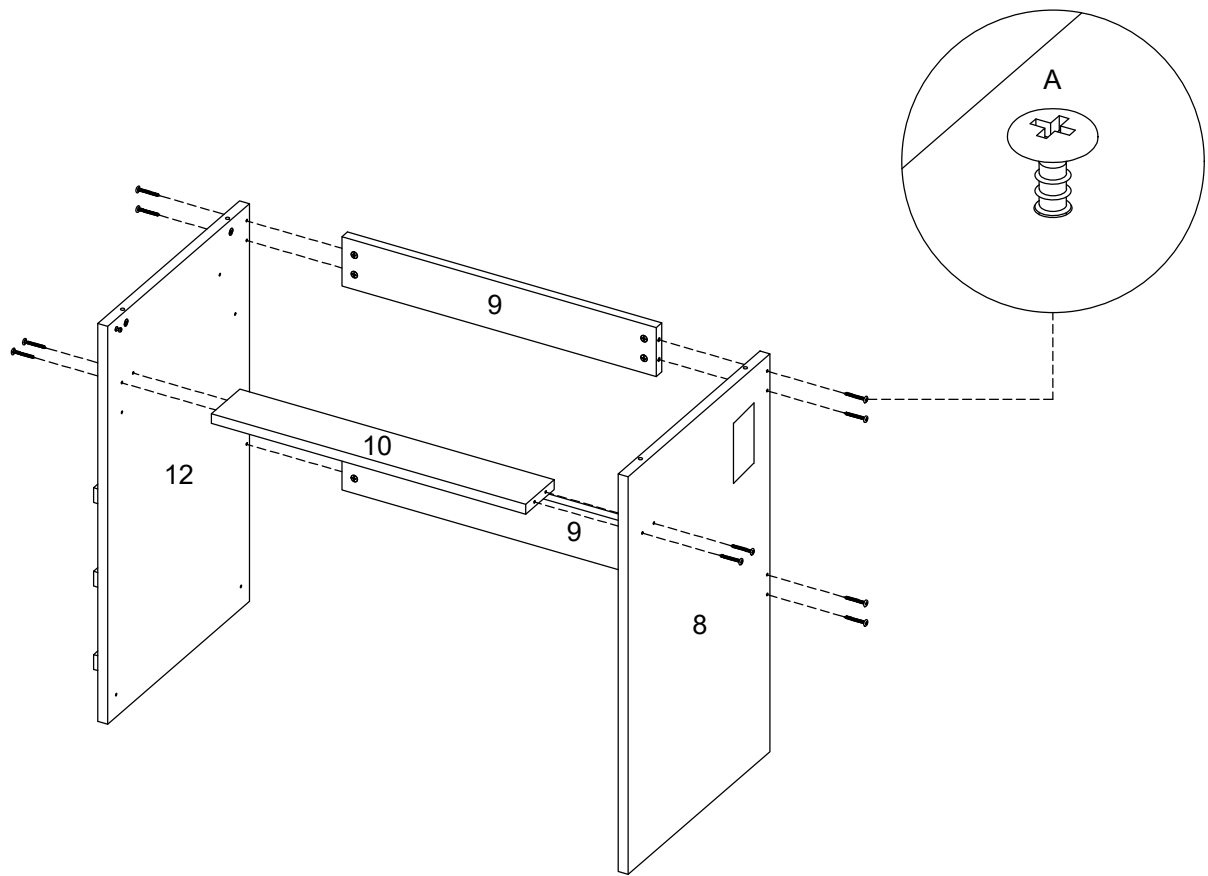
x3



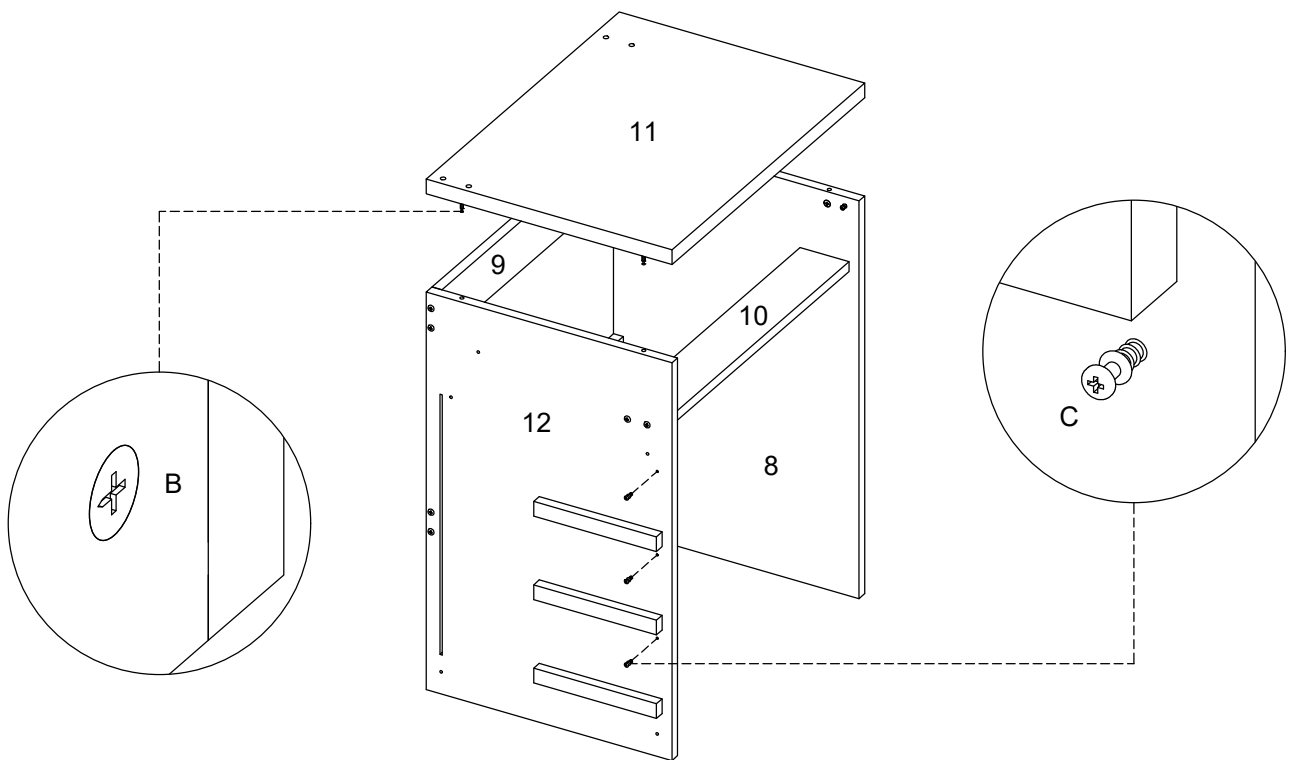
Step 11



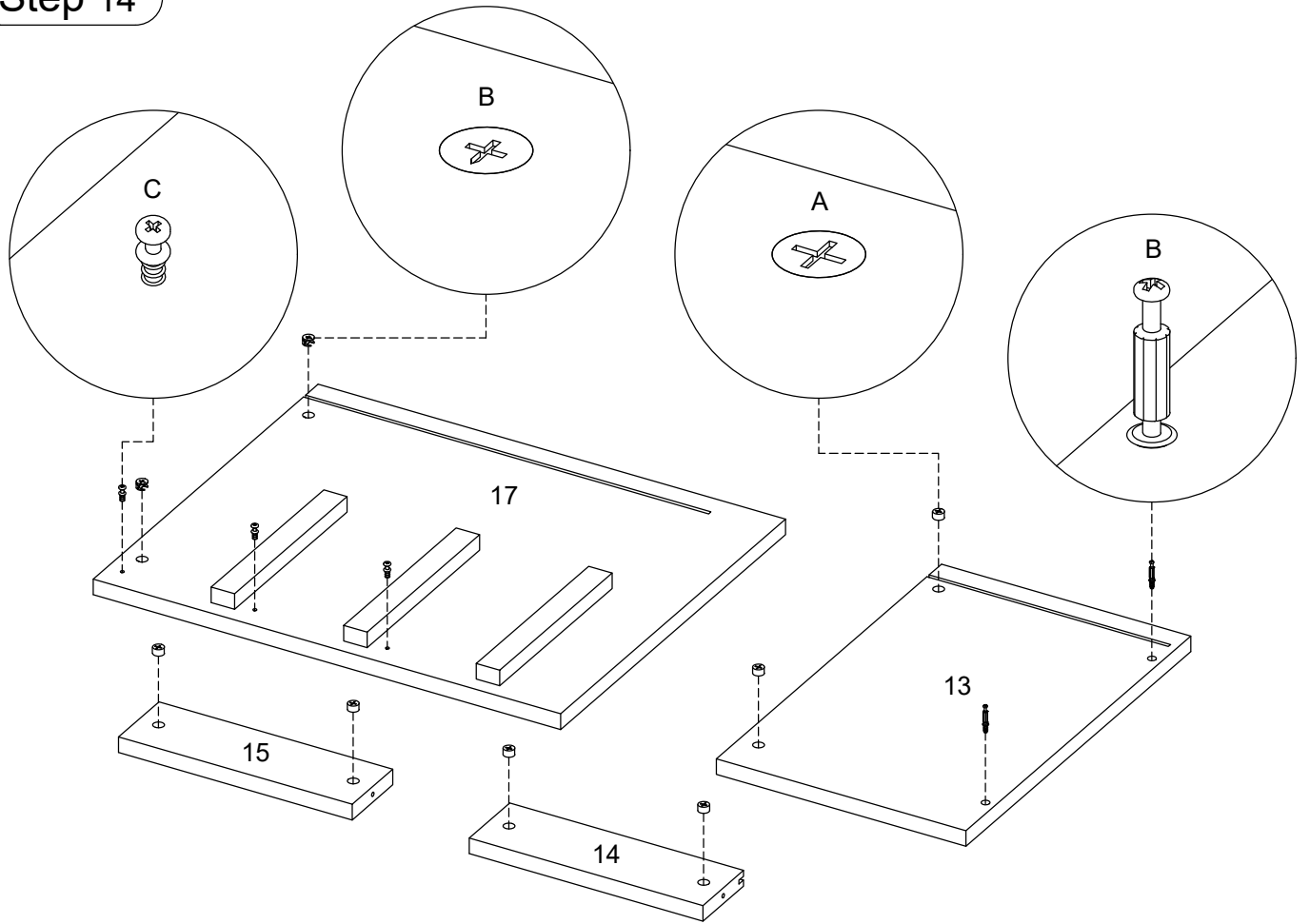
Step 12



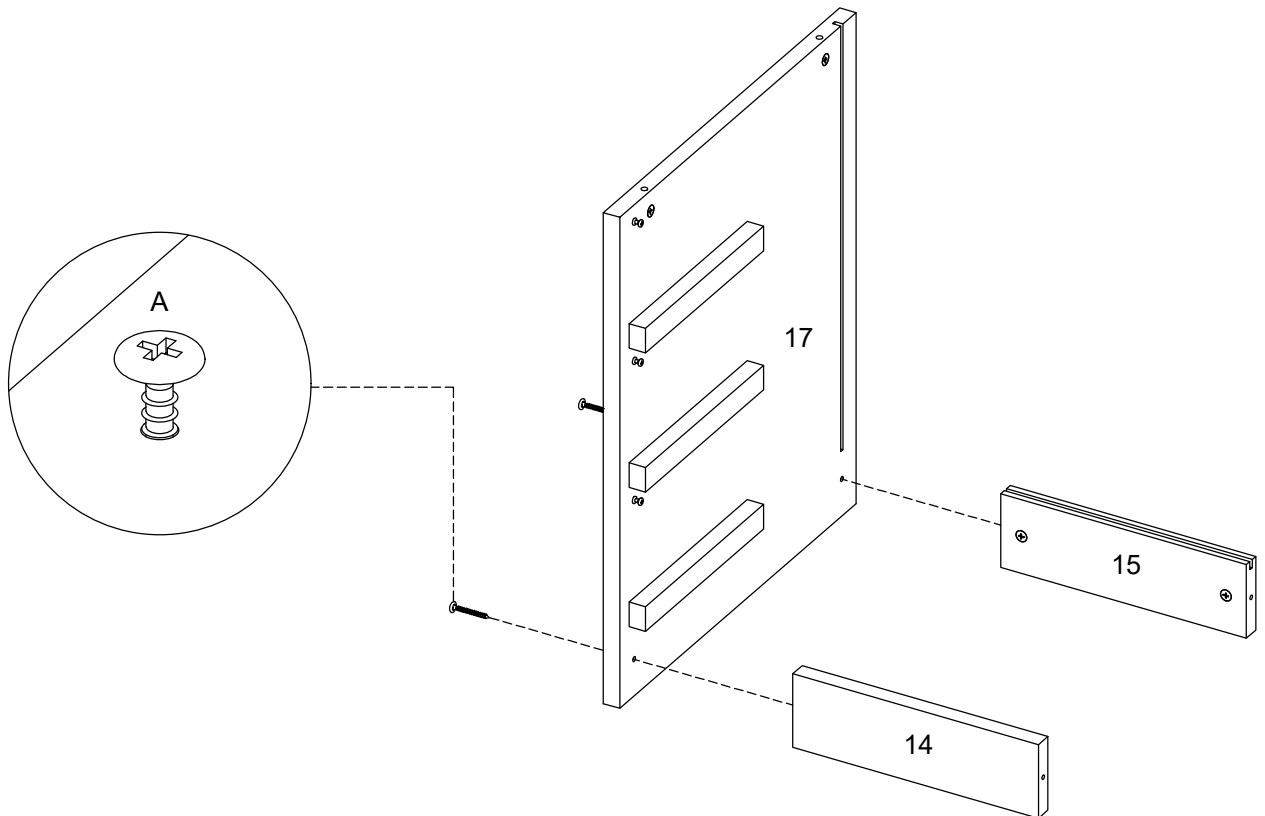
Step 13



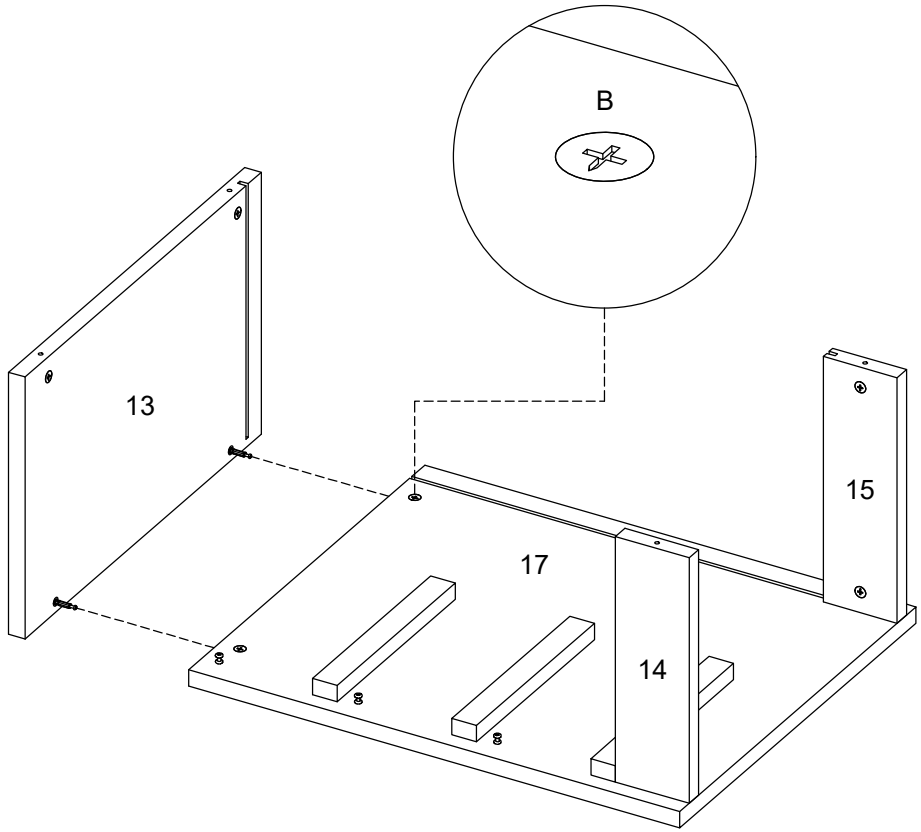
Step 14



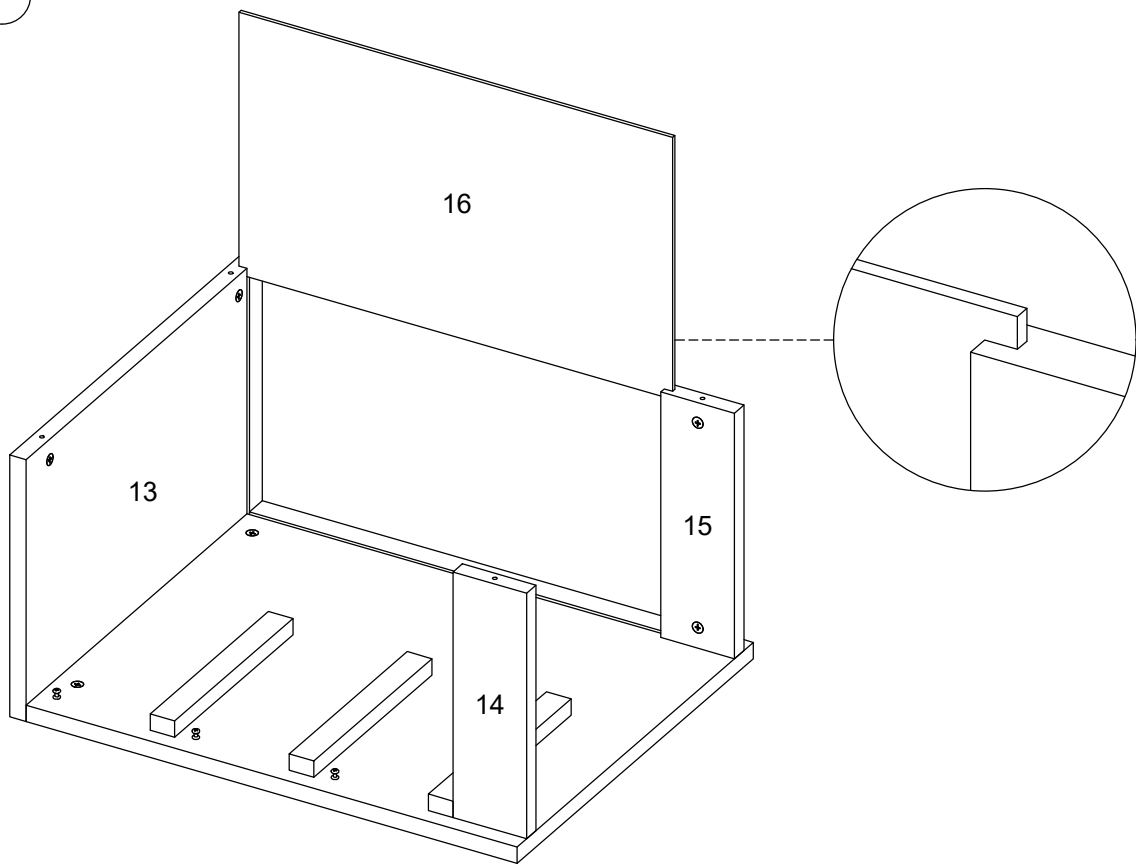
Step 15



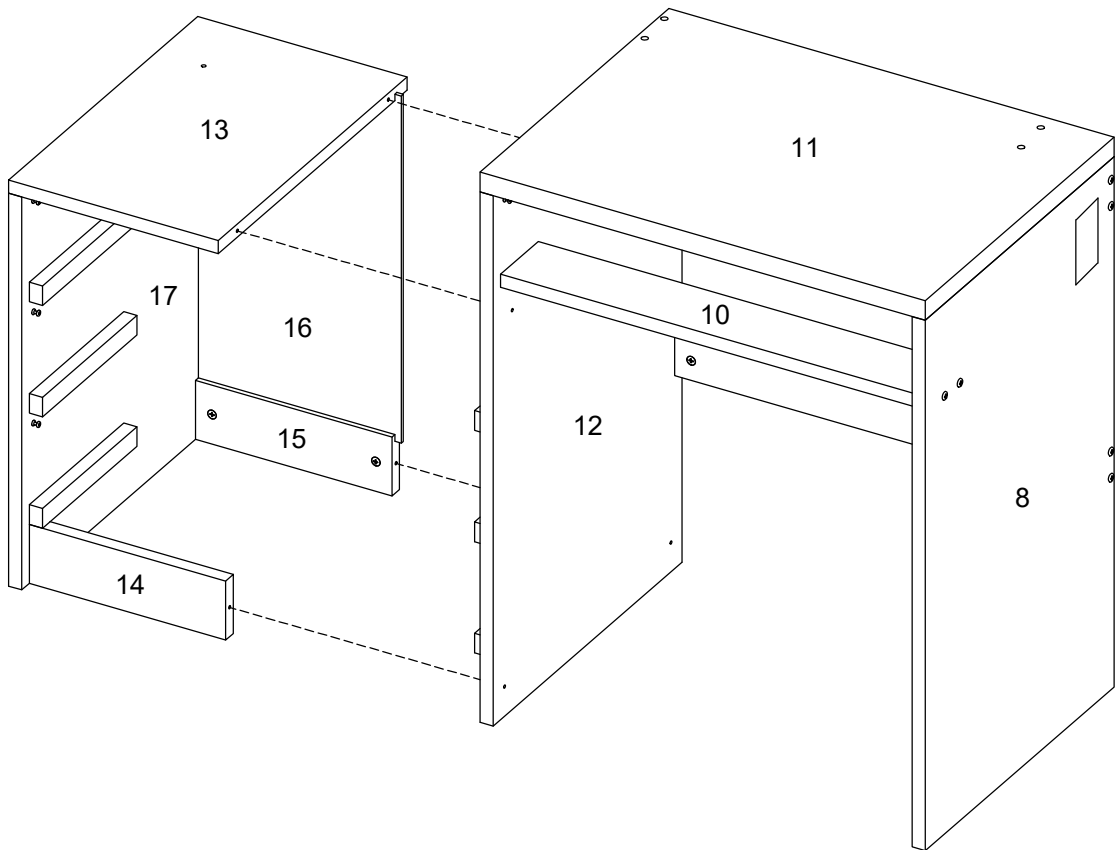
Step 16



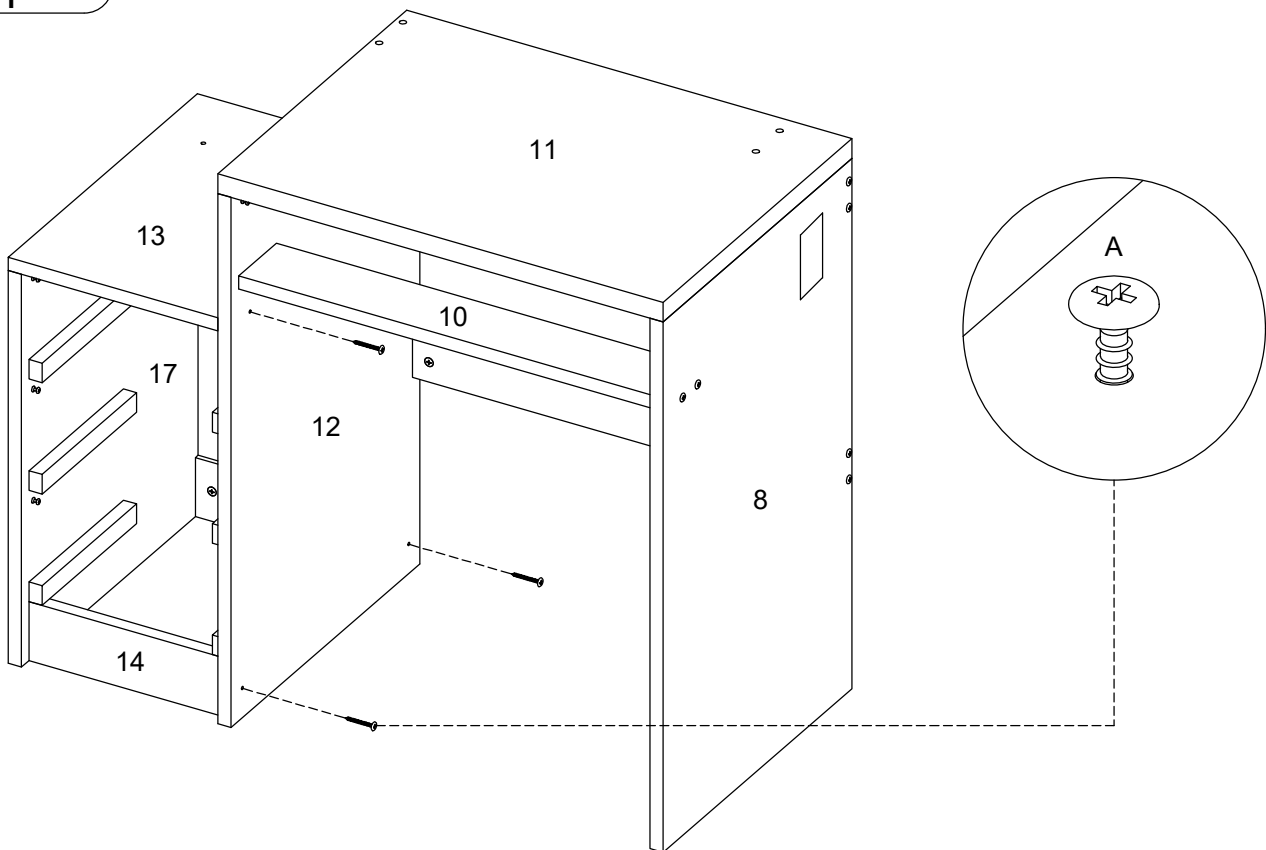
Step 17



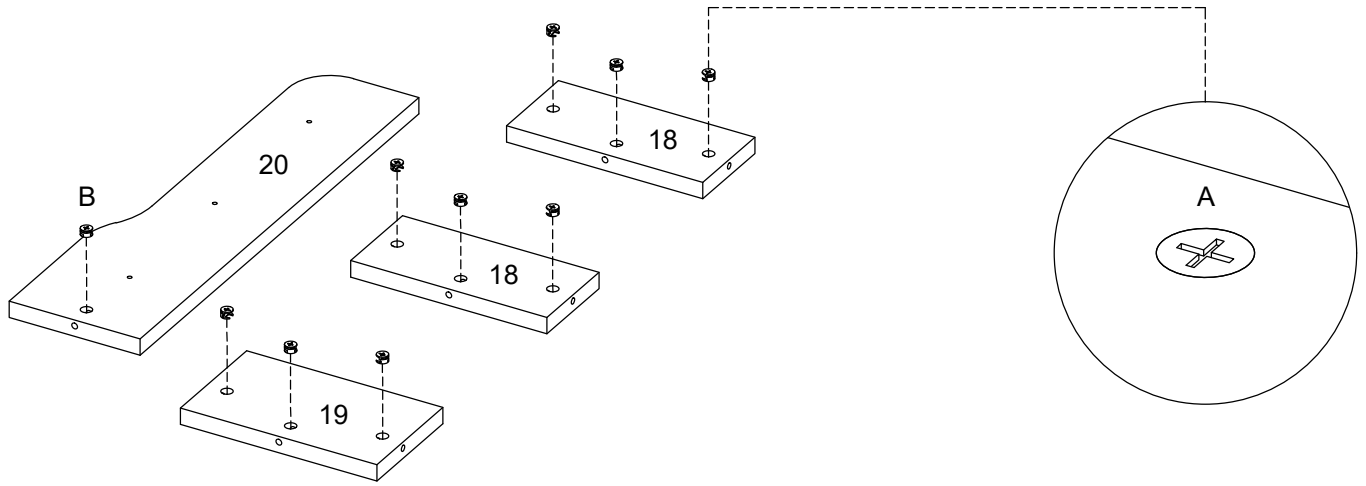
Step 18



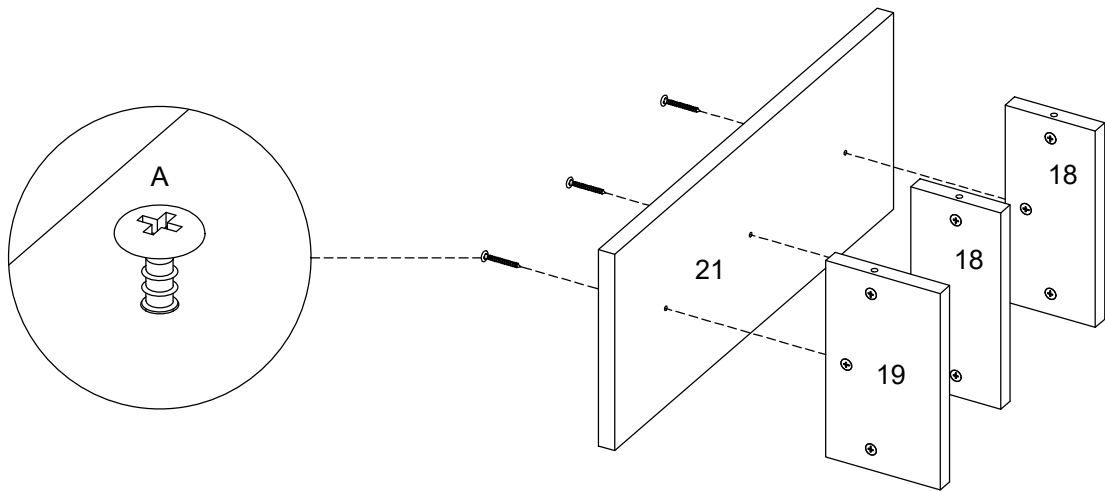
Step 19



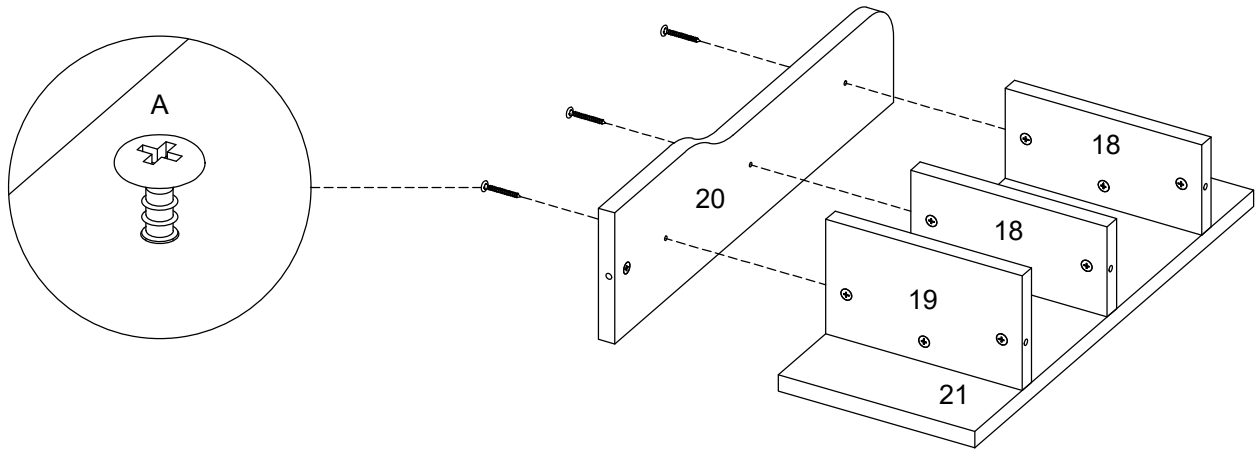
Step 20



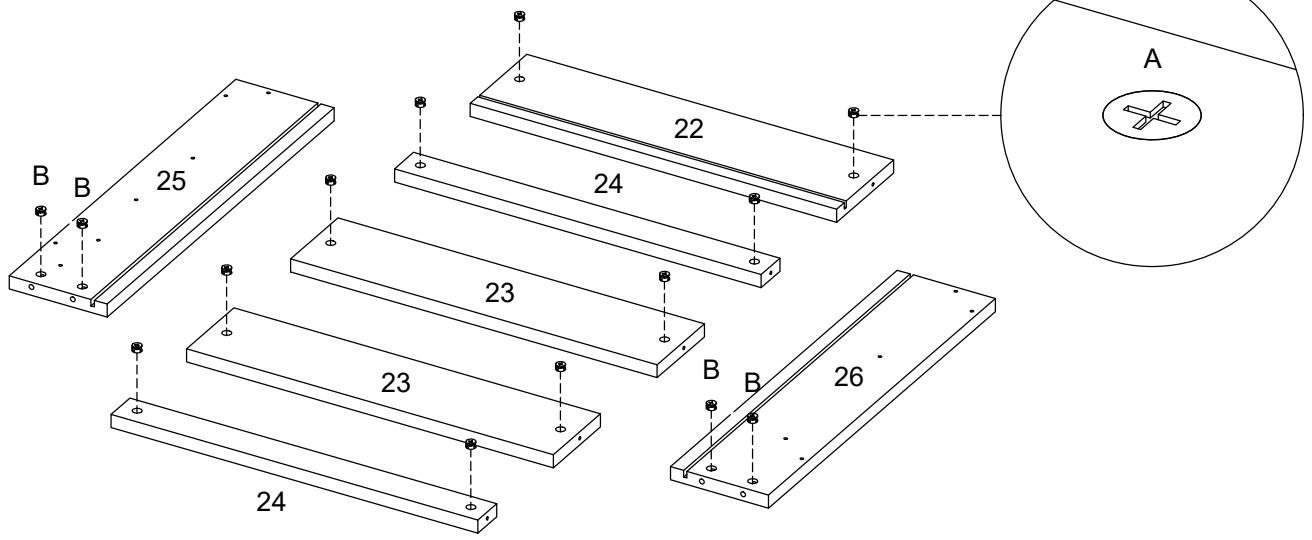
Step 21



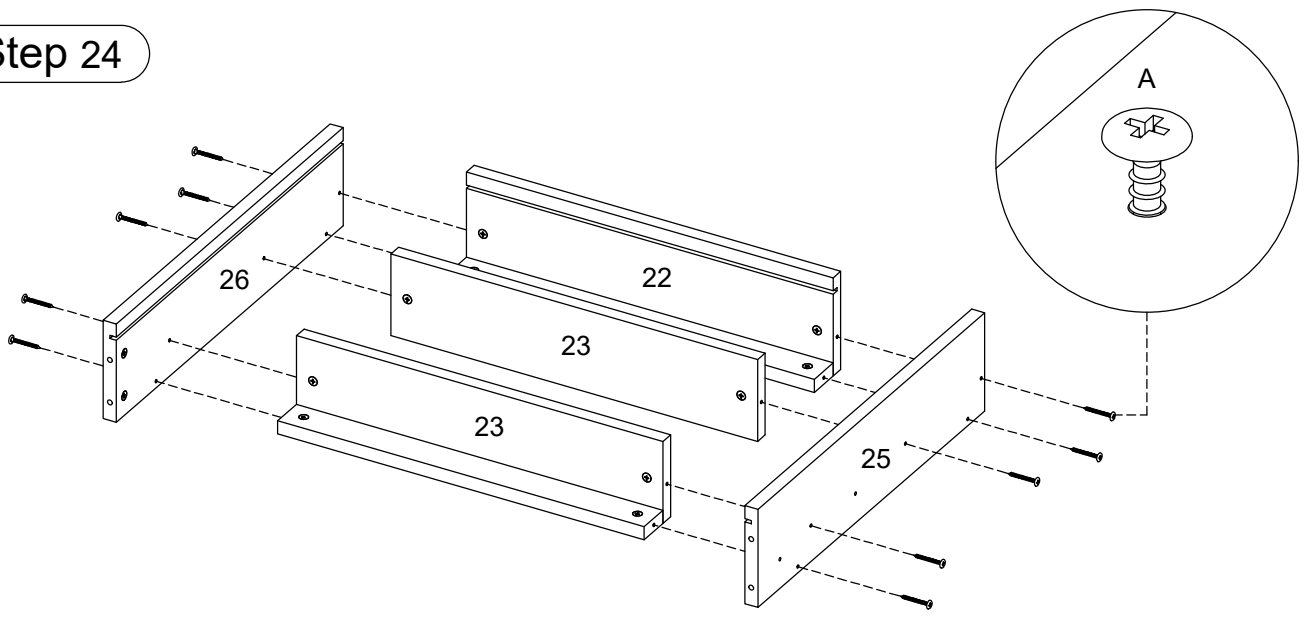
Step 22



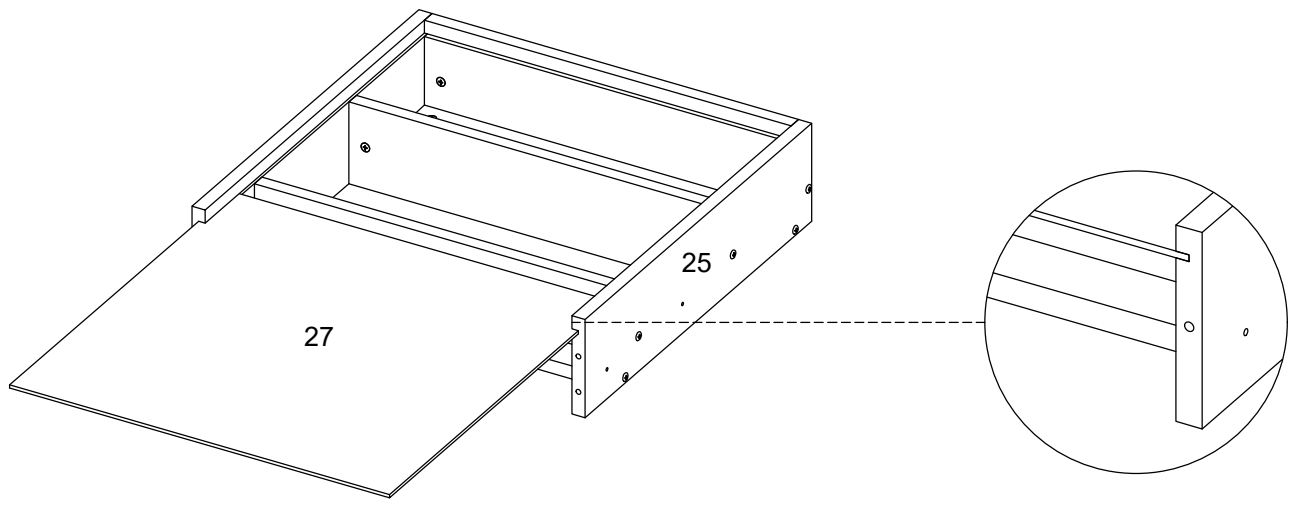
Step 23



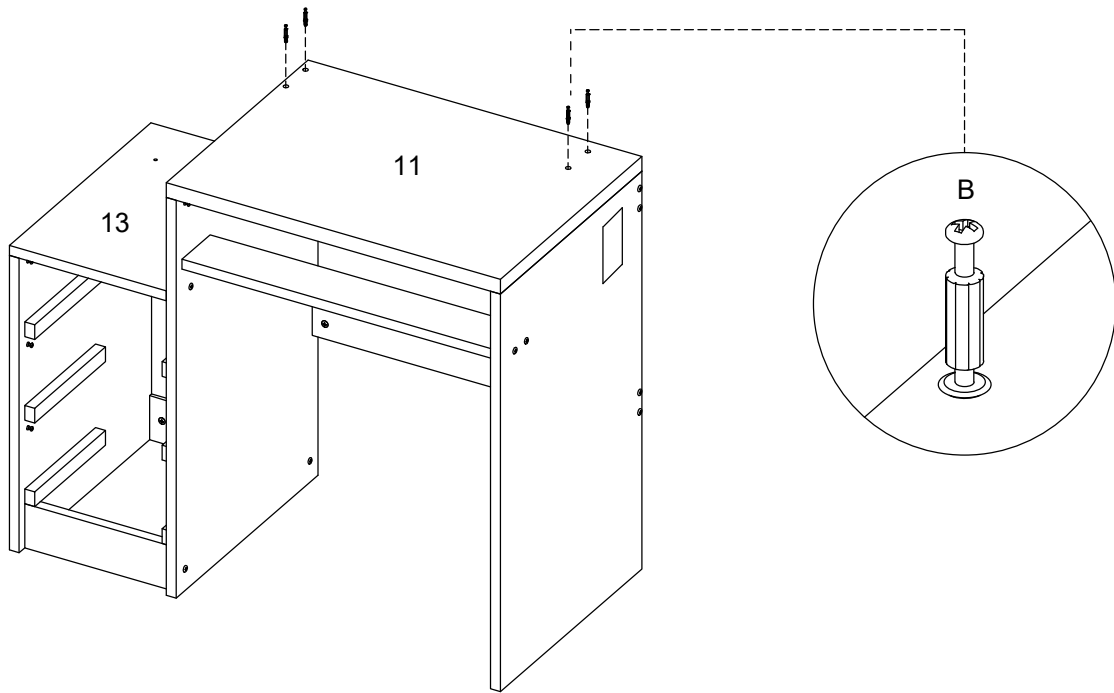
Step 24



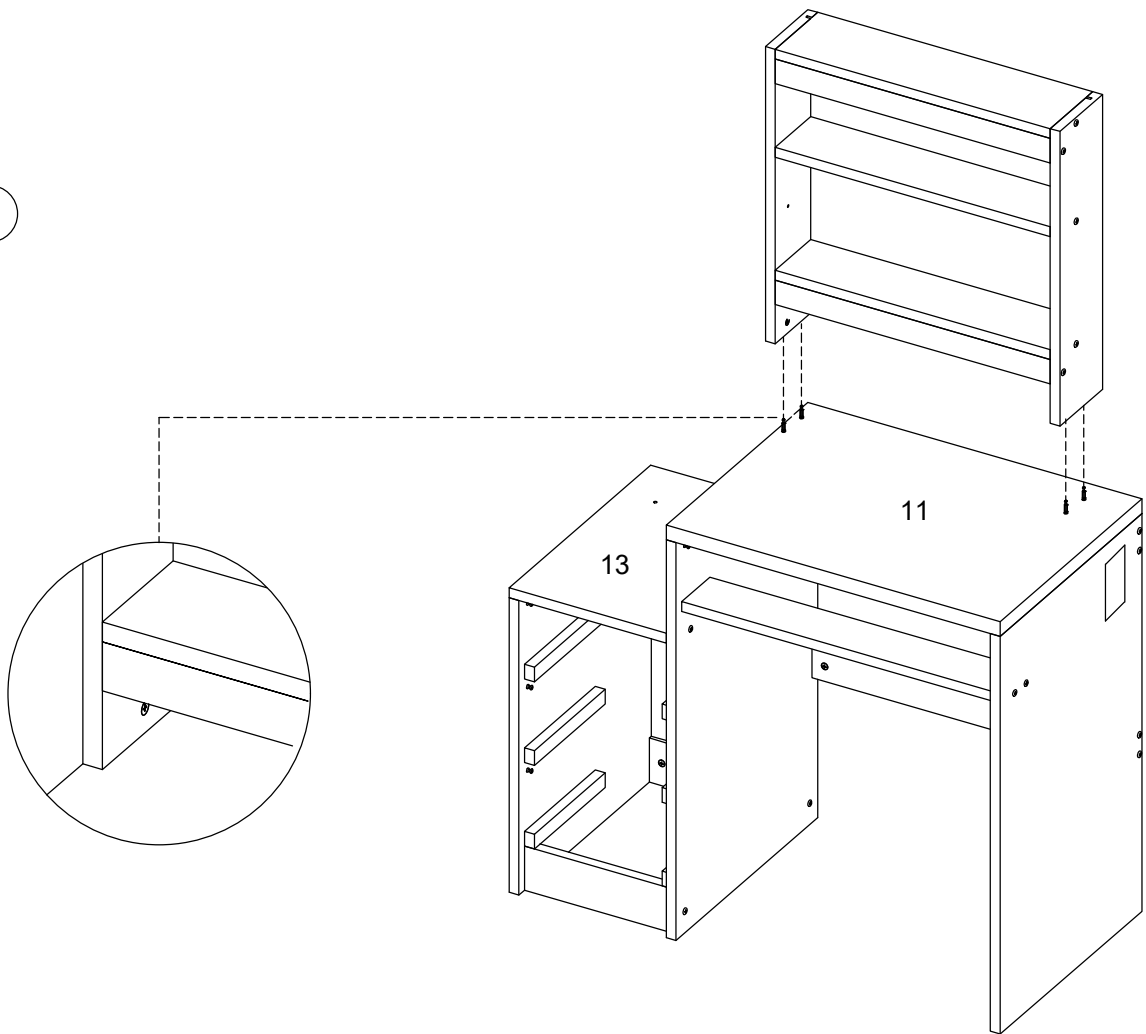
Step 25



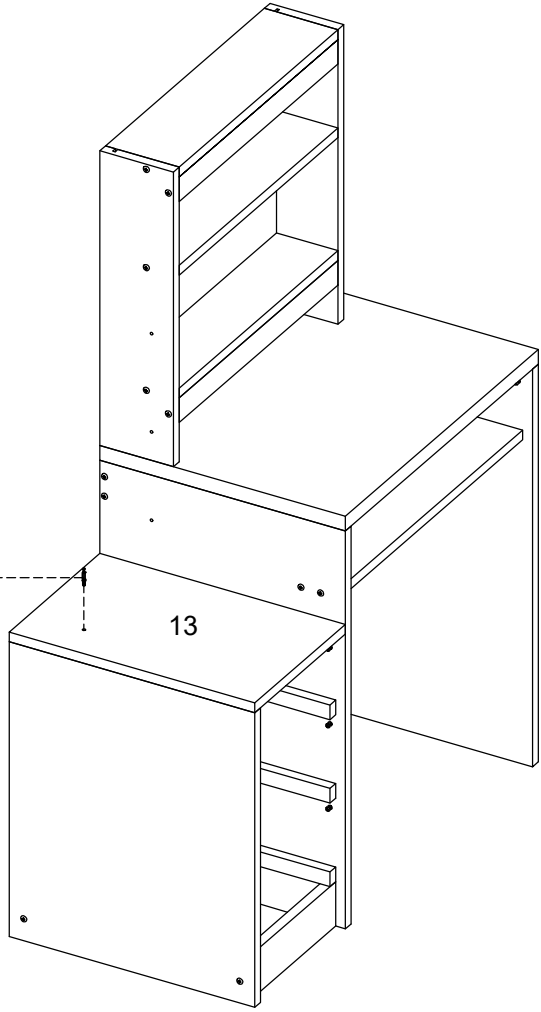
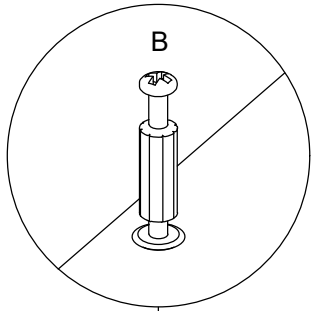
Step 26



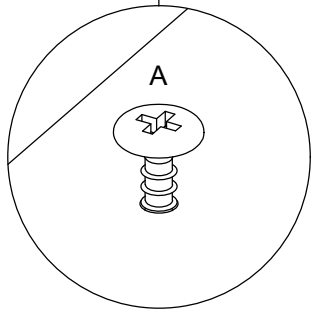
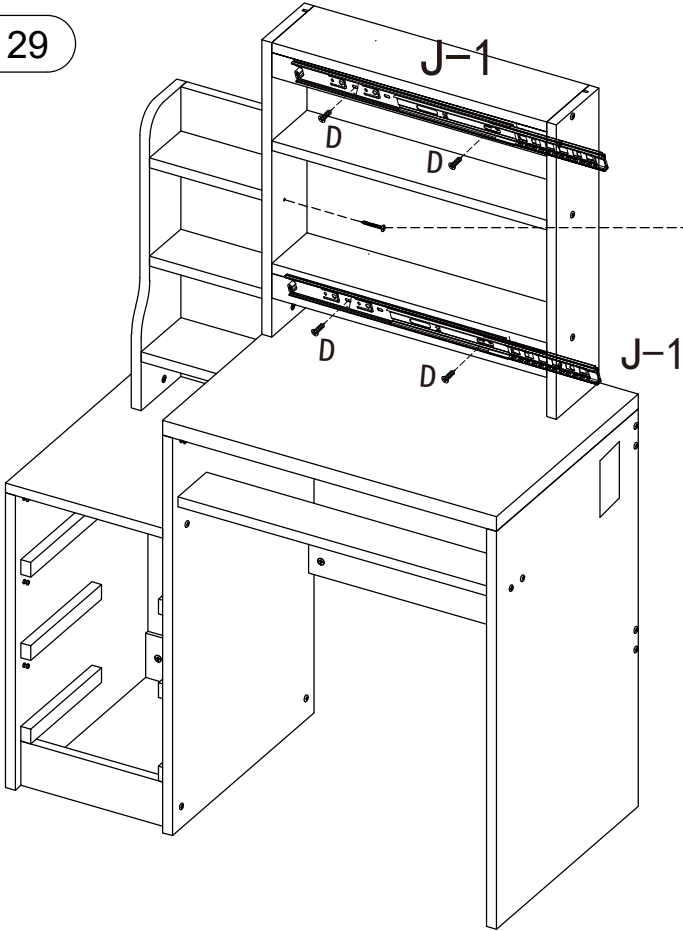
Step 27



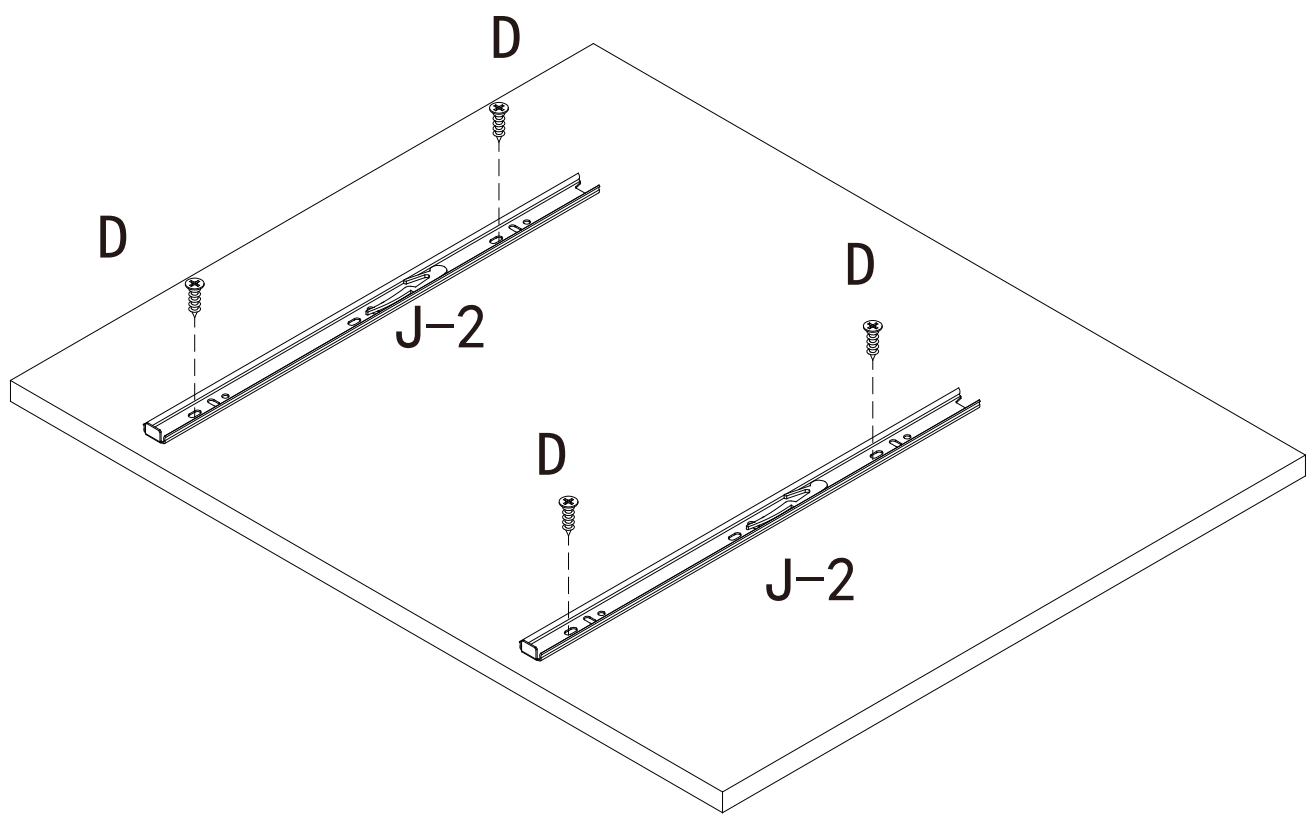
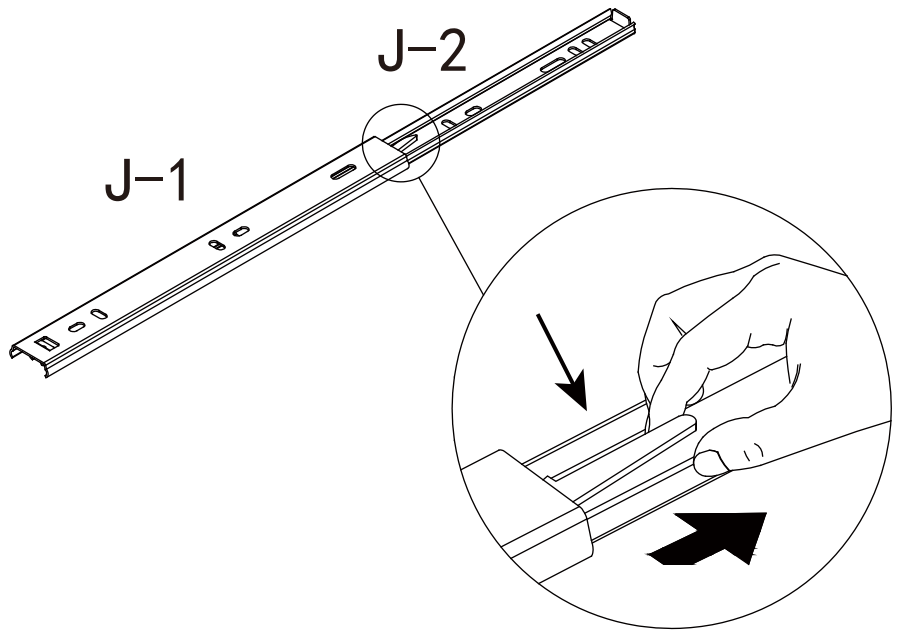
Step 28



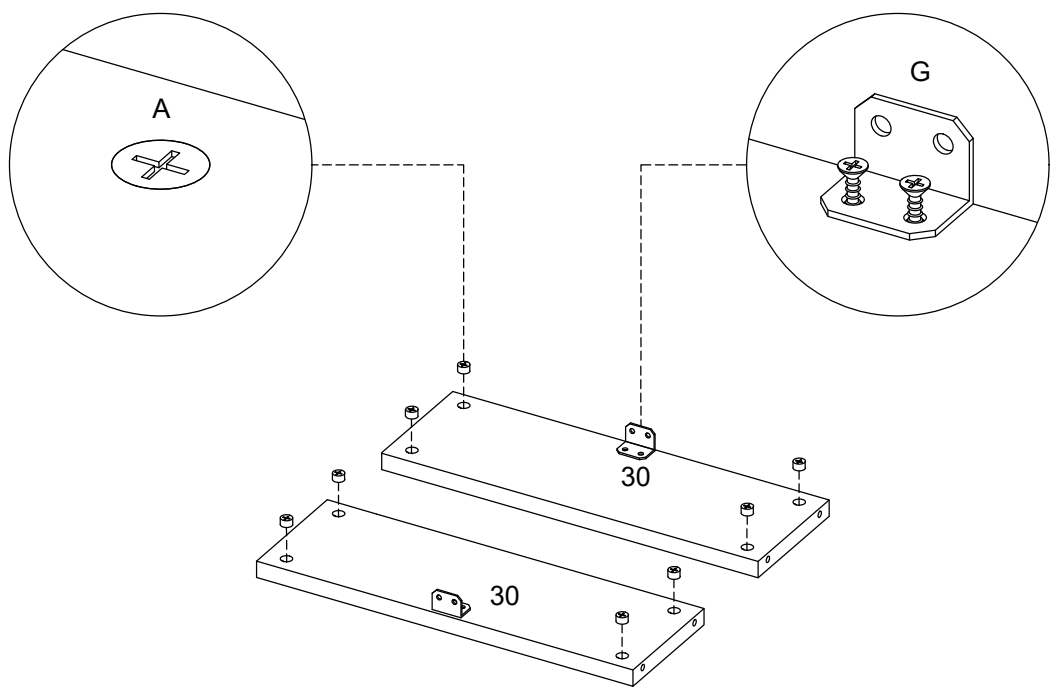
Step 29



Step 30



Step 32



Step 33

