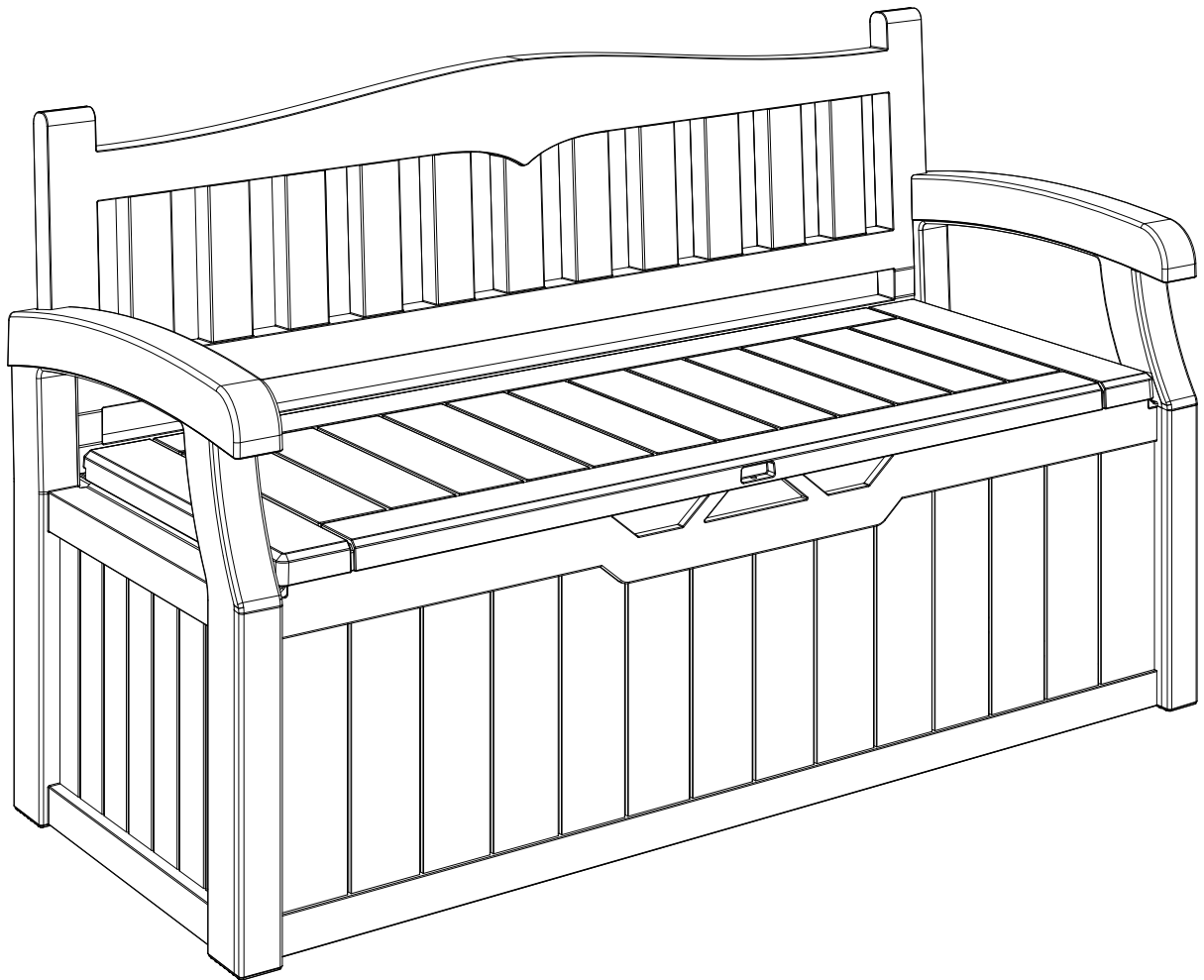


ASSEMBLY INSTRUCTIONS

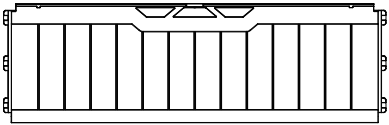
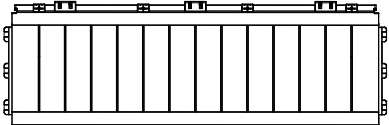
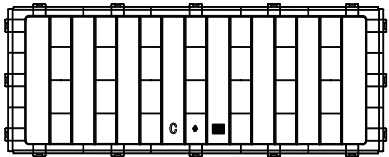
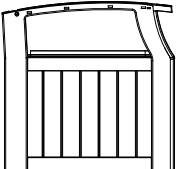
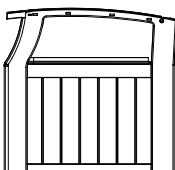
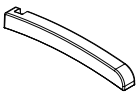
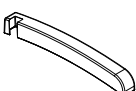
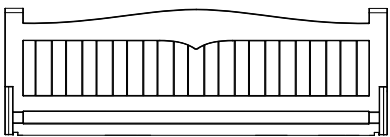
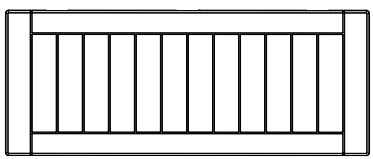
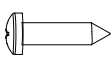
■ 1-Piece

Storage Bench



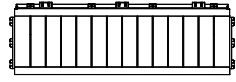
Parts

Check and make sure you get the components on the list, contact us for any missing.

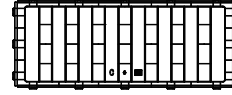
A		X1	B		X1
C		X1	DL		X1
DR		X1	DL-1.3		X1
			DR-1.3		X1
E		X1	F		X1
S	 Screws	X6			

Assembly steps

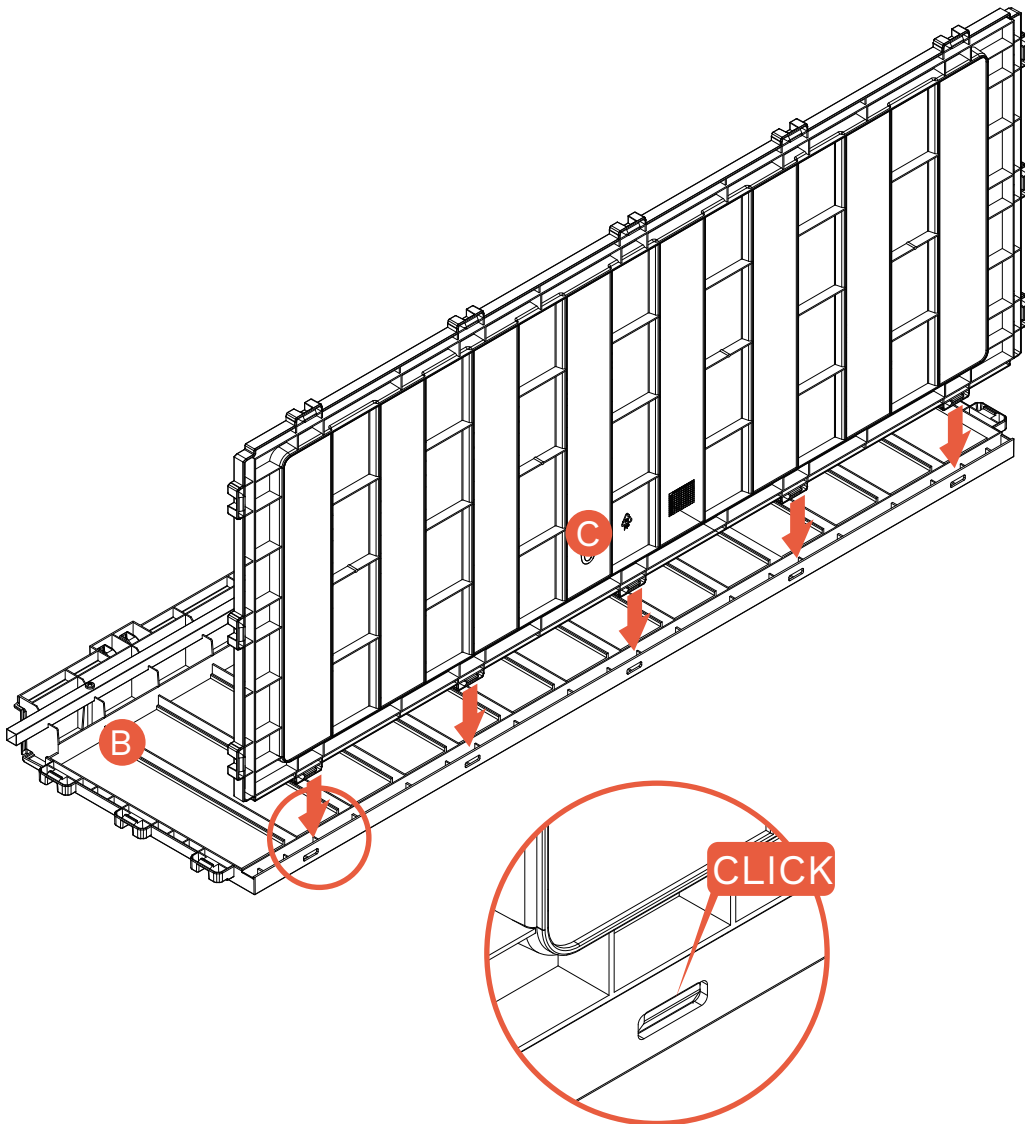
Step 1



B (X1)

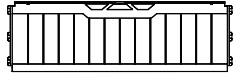


C (X1)

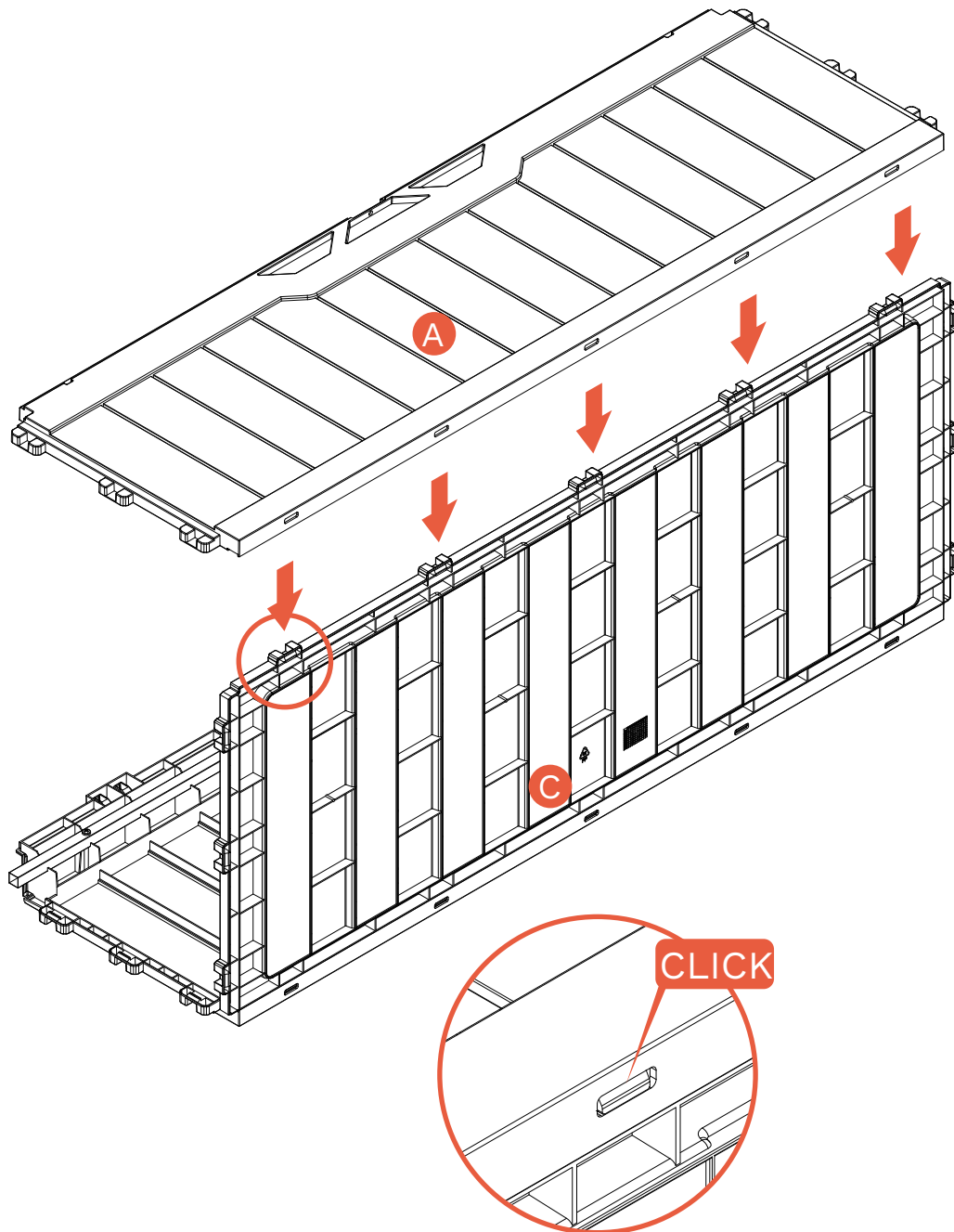


Assembly steps

Step 2



A (X1)

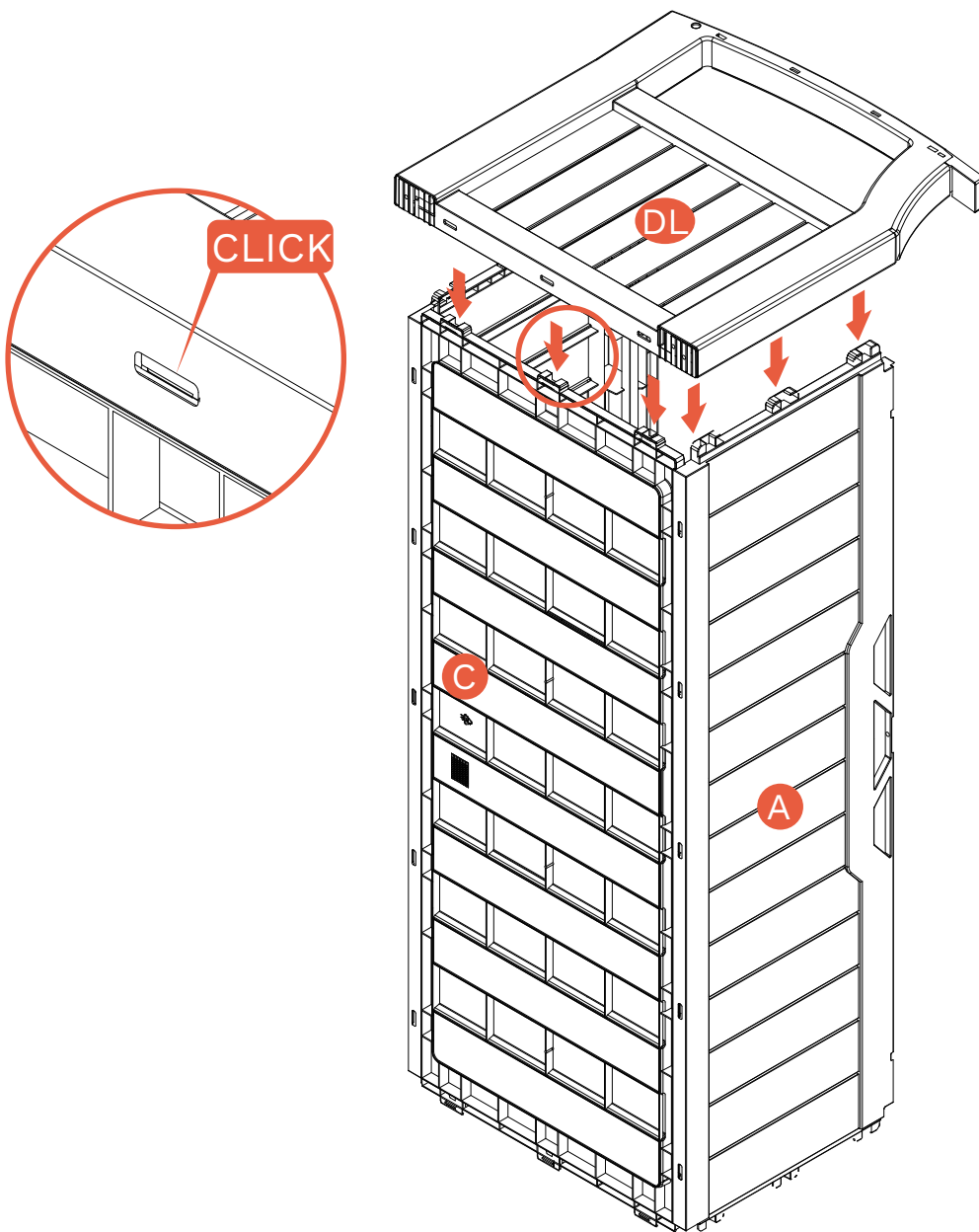


Assembly steps

Step 3



DL (X1)

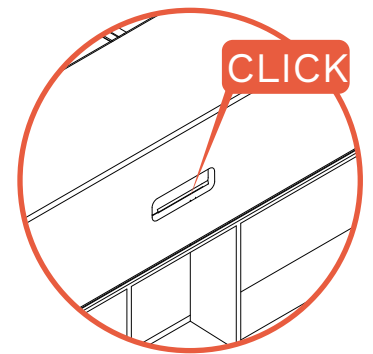
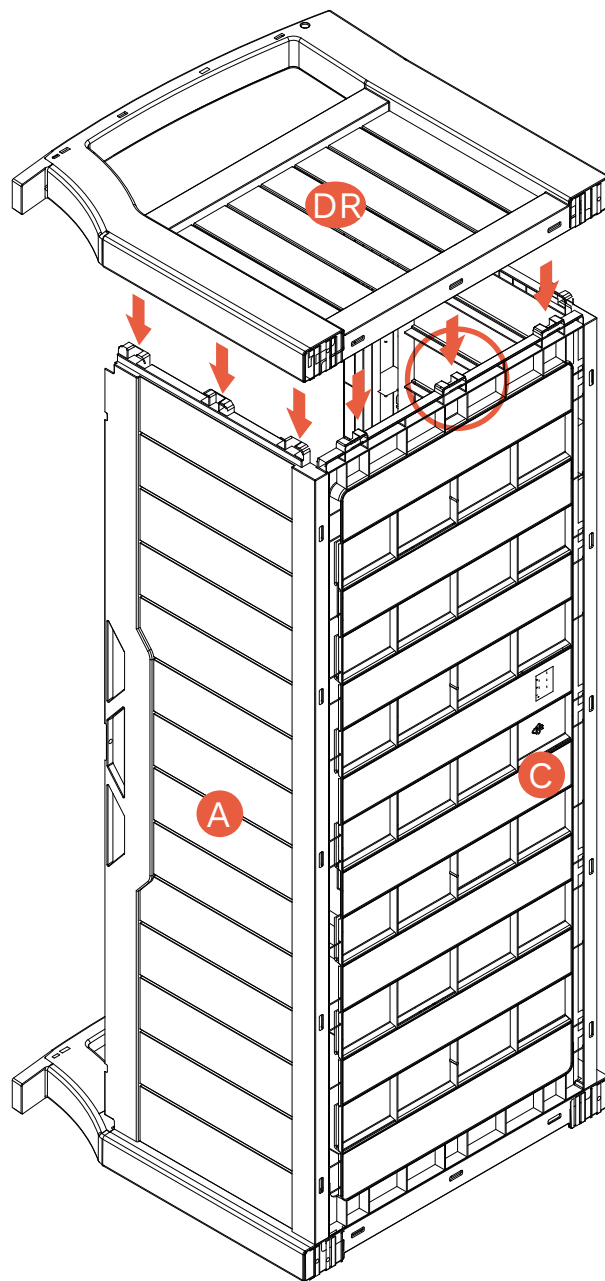


Assembly steps

Step 4

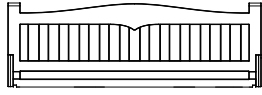


DR (X1)

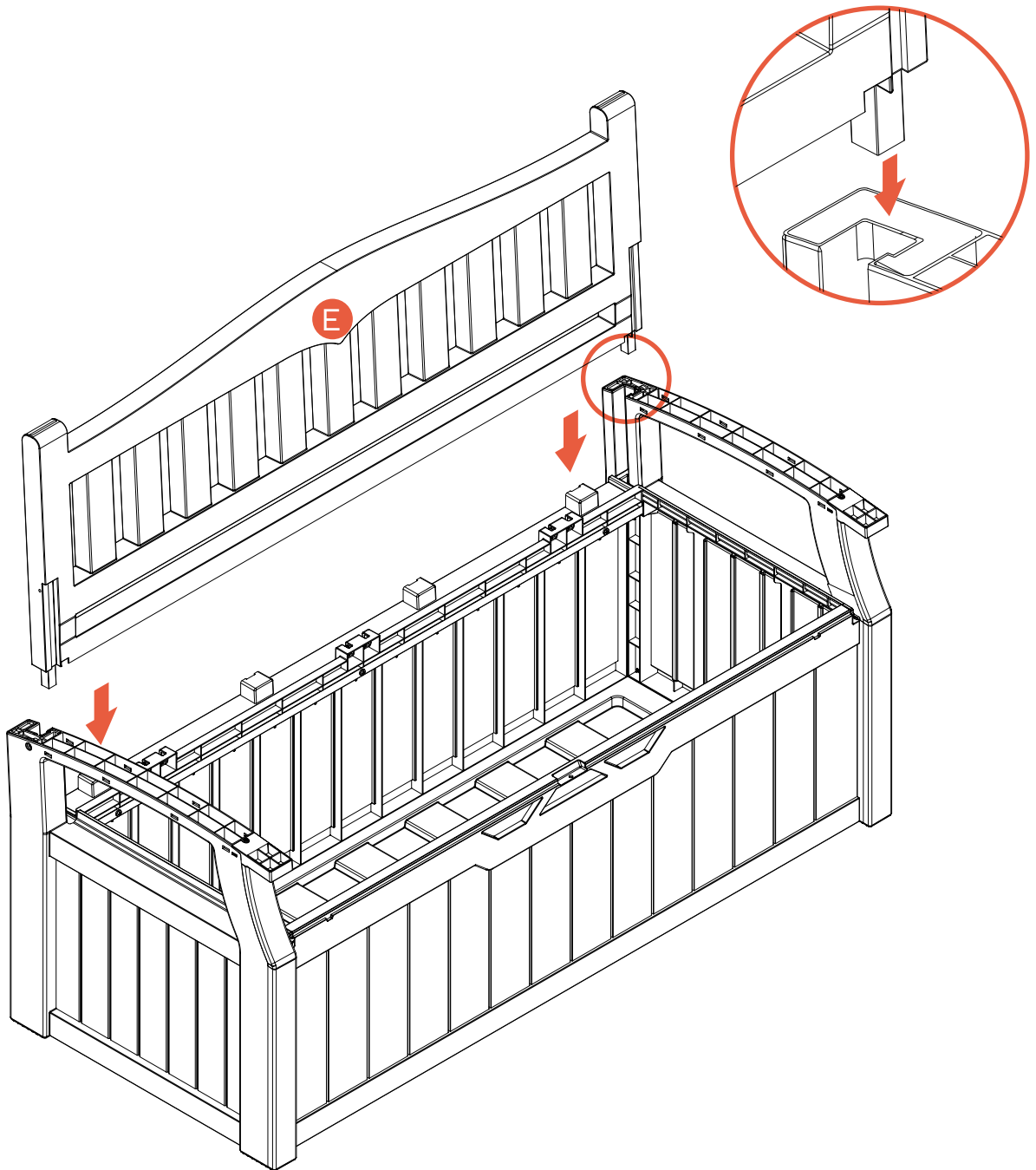


Assembly steps

Step 5

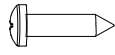


E (X1)

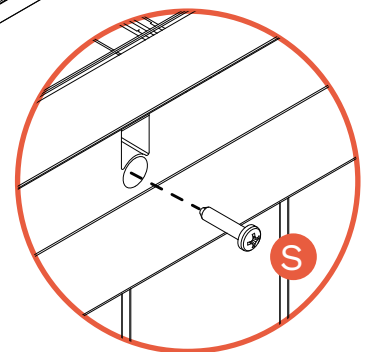
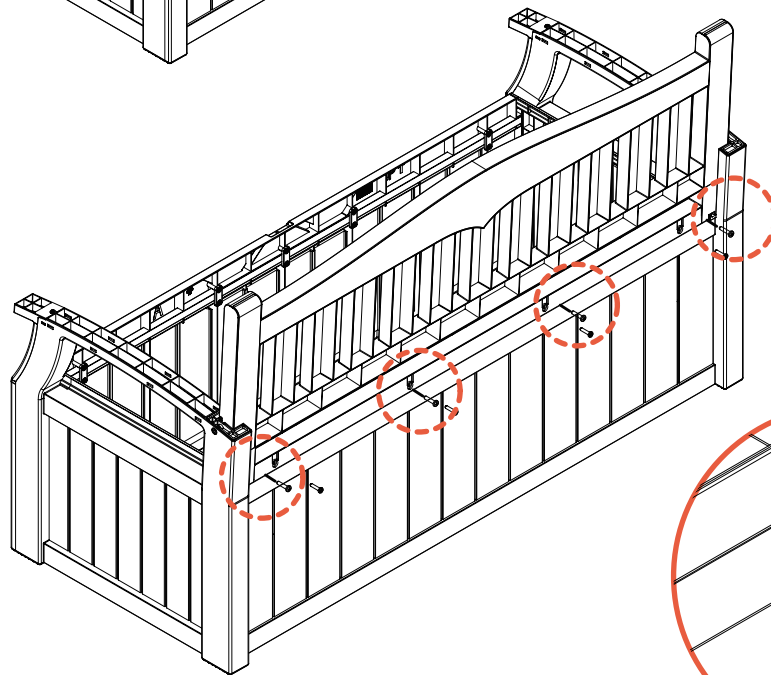
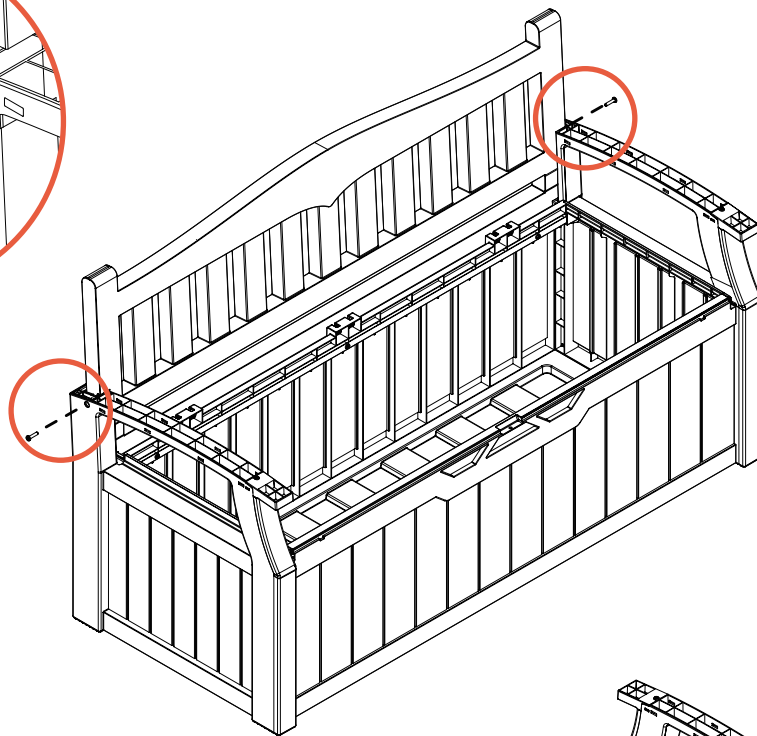
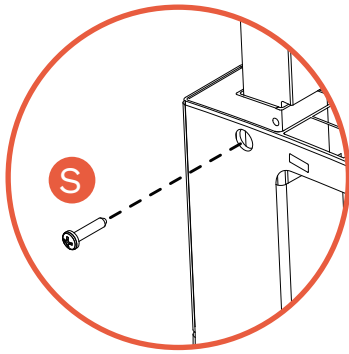


Assembly steps

Step 6

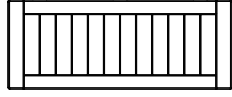


S (X6)

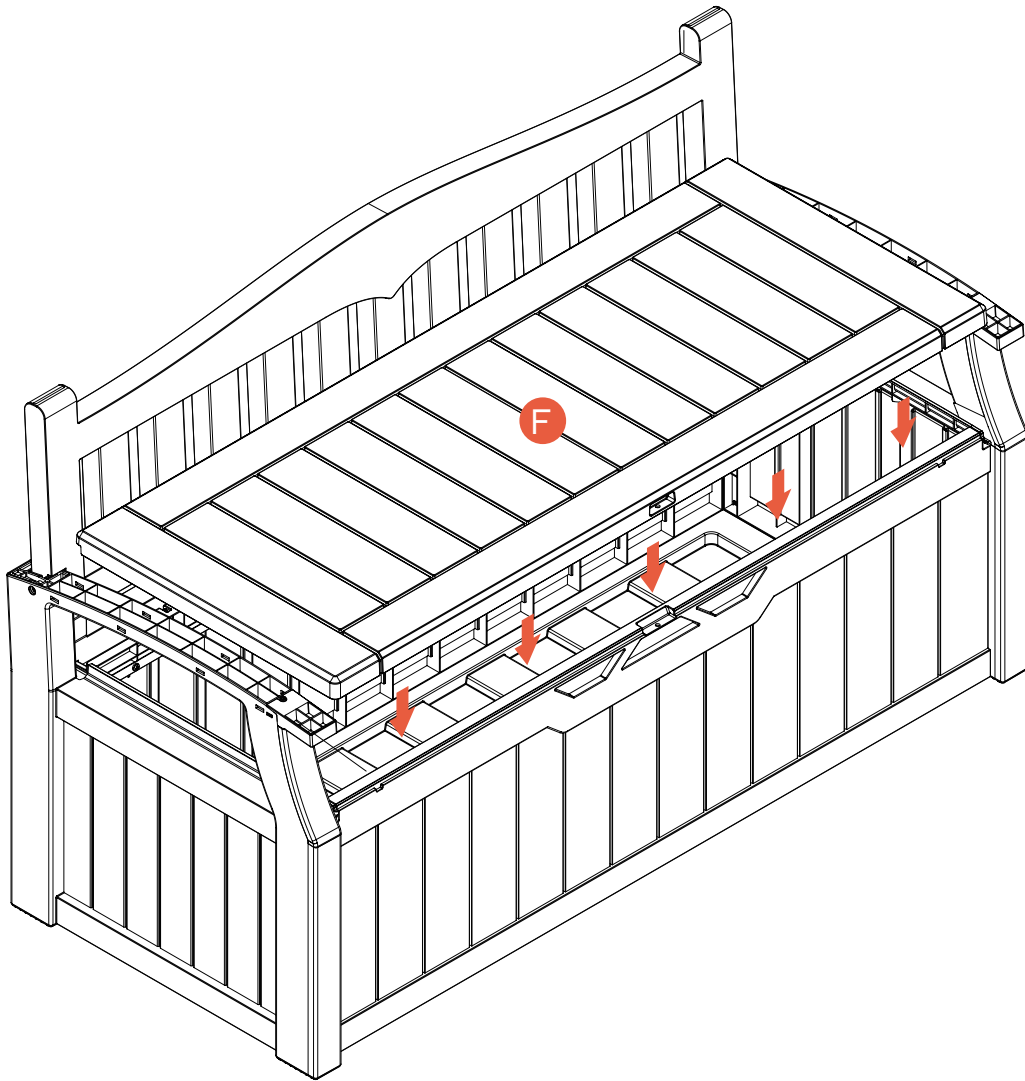


Assembly steps

Step 7

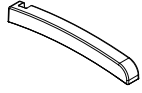


F (X1)

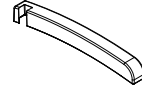


Assembly steps

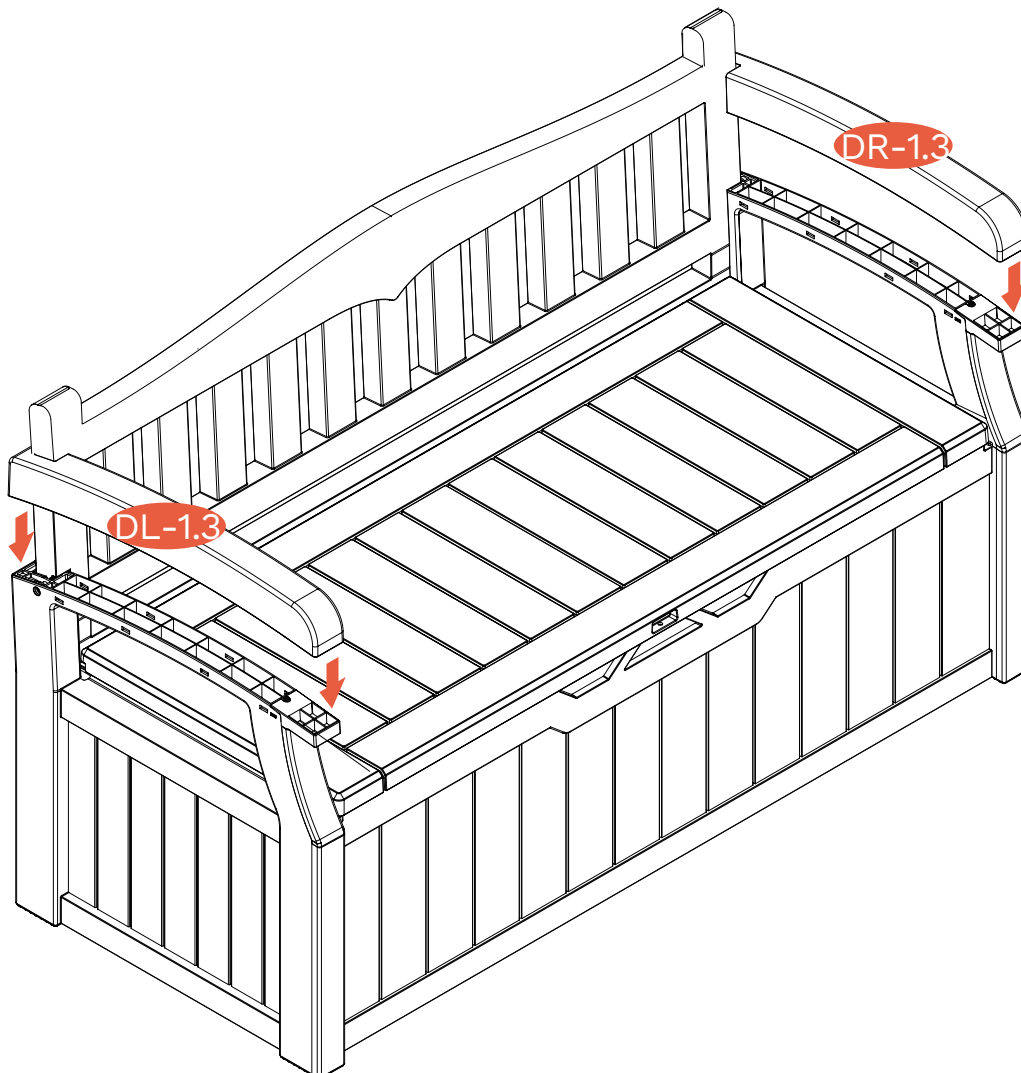
Step 8



DL-1.3 (X1)



DR-1.3 (X1)



Assembly steps

Step 9

