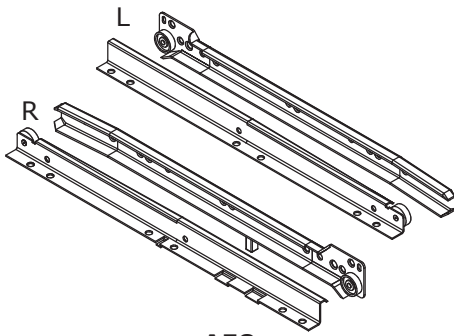
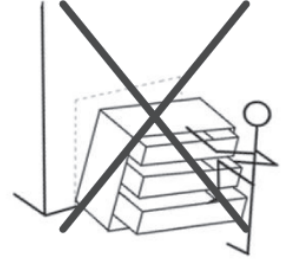
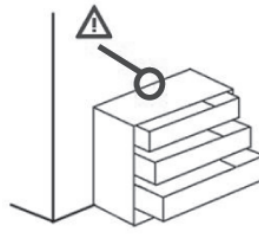
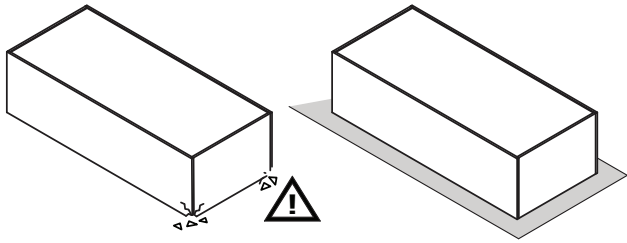
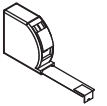
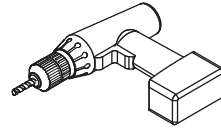
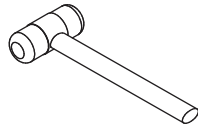
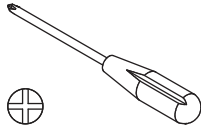
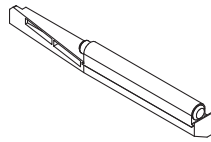




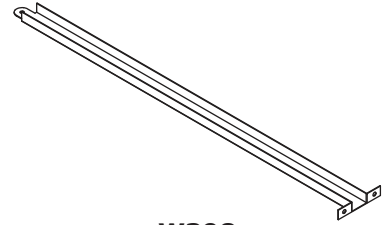
2h



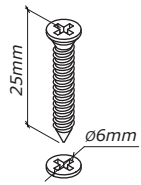
**A58**  
x8



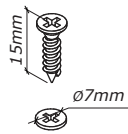
**H276**  
x8



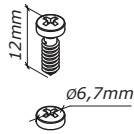
**W398**  
x8



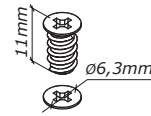
**V11**  
x16



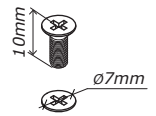
**V5**  
x84



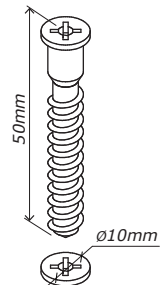
**V98**  
x28



**V13**  
x16



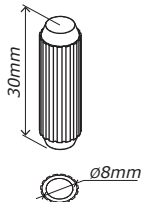
**V107**  
x16



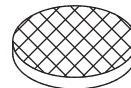
**V45**  
x1



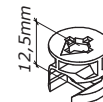
**T28**  
x28



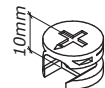
**H1**  
x12



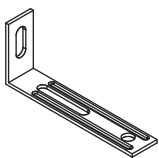
**H139**  
x1



**T7**  
x12



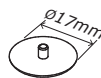
**T98**  
x16



**H185**  
x2



**H129**  
x4



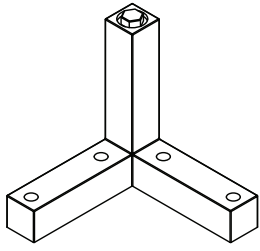
**G136**  
x16



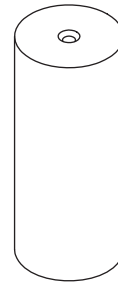
**H2**  
x52



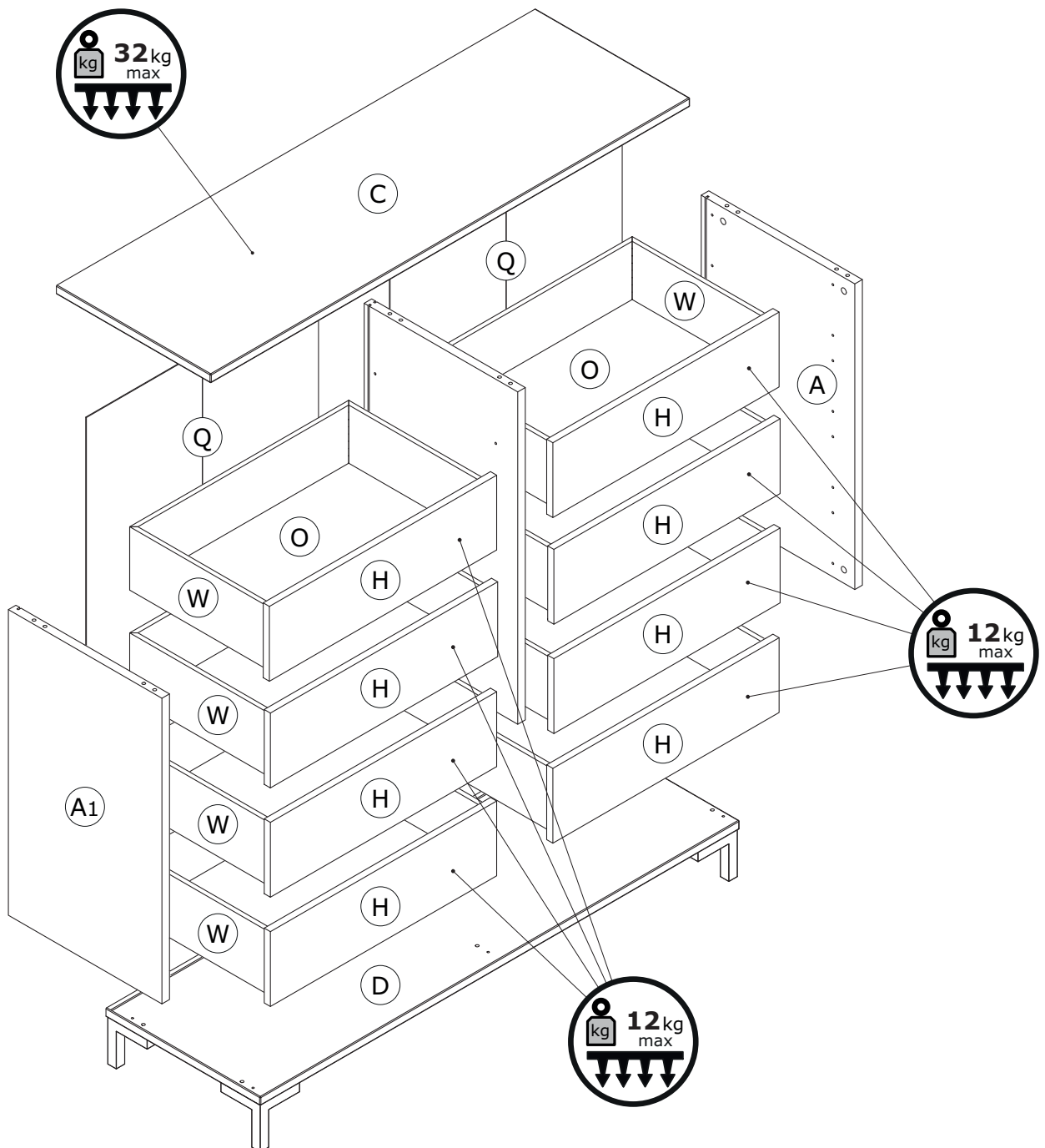
**T104**  
x8

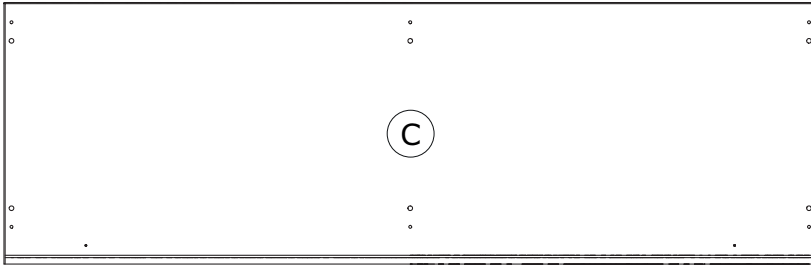


**P75**  
x4

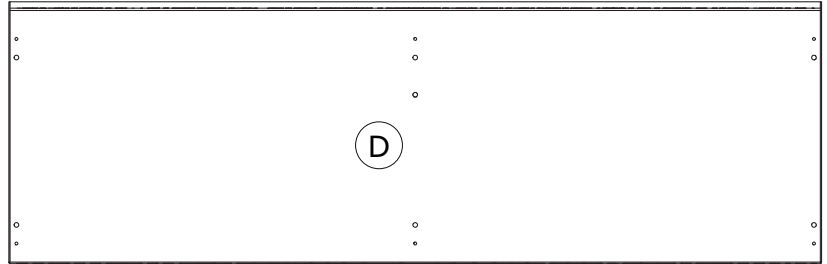


**W591**  
x1

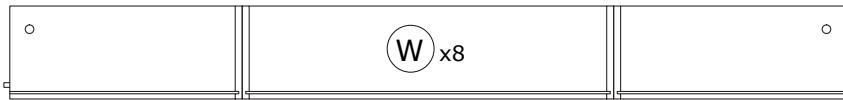




1398x450x22mm

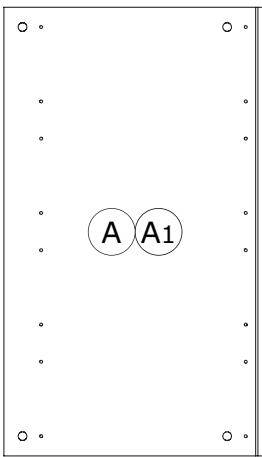


1398x450x22mm

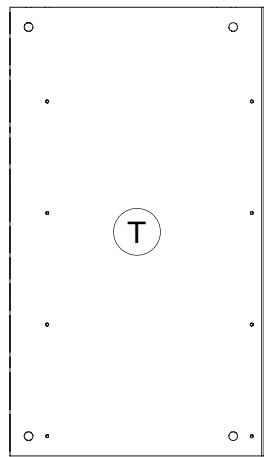


400x639x400mm H.160m

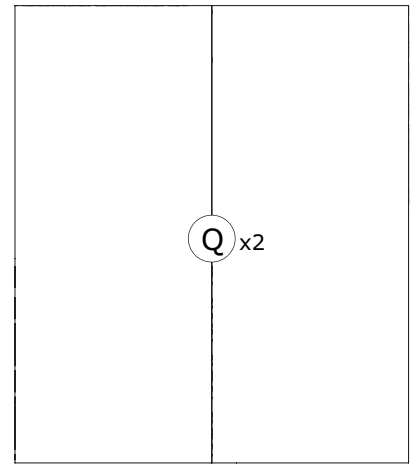
**BOX 1/2**



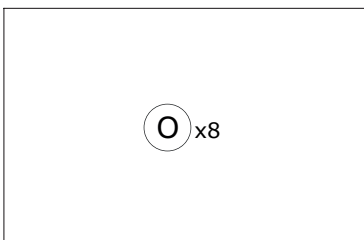
772x448x22mm



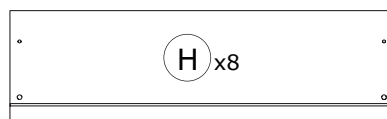
772x448x22mm



787x677x2mm



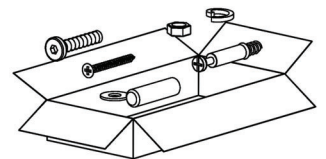
626x401x2mm



660x189x18mm

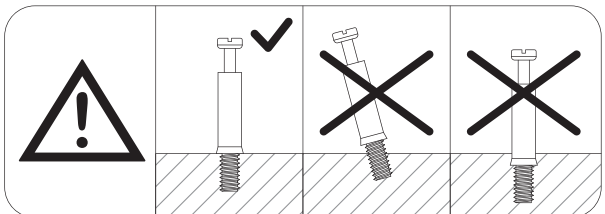
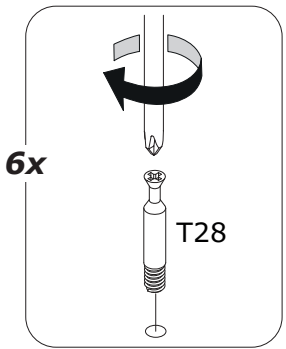
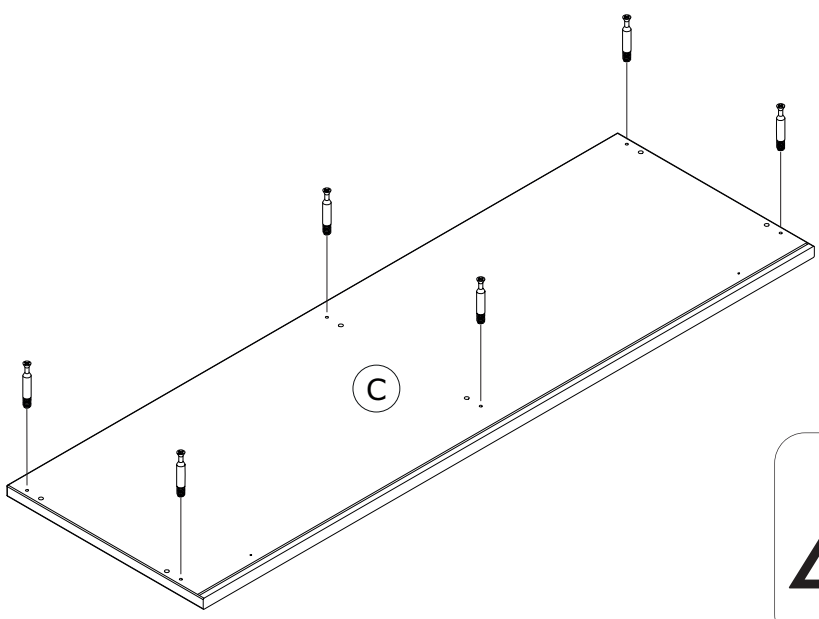
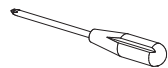


**W591**  
L.120mm

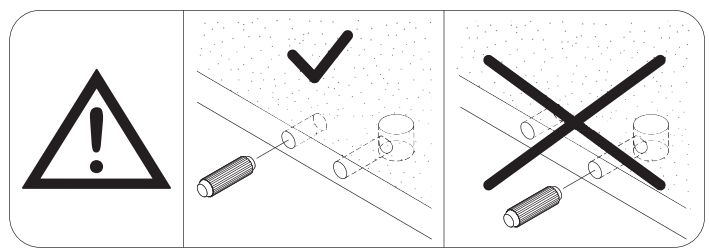
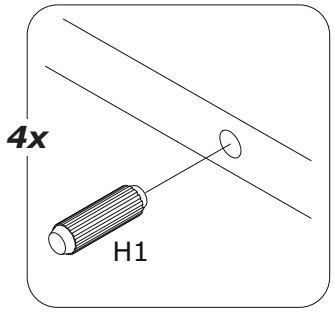
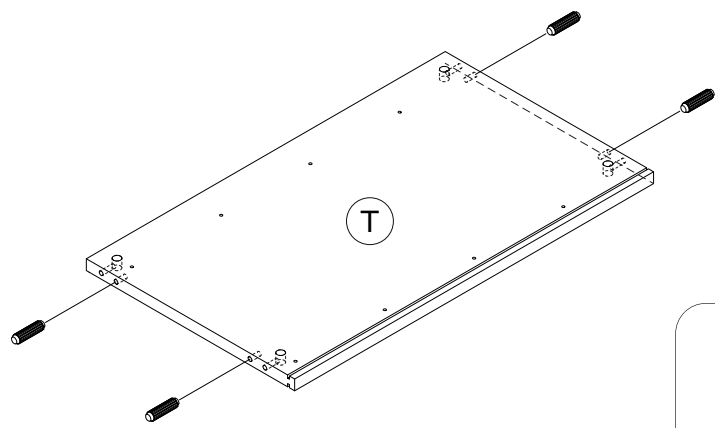
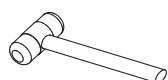


**BOX 2/2**

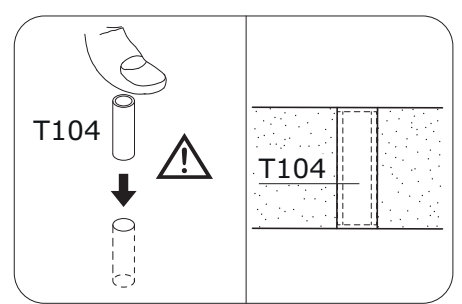
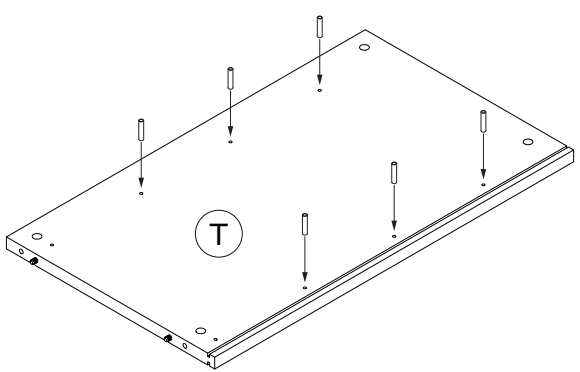
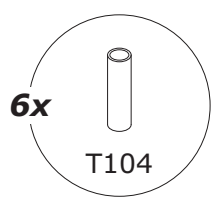
1



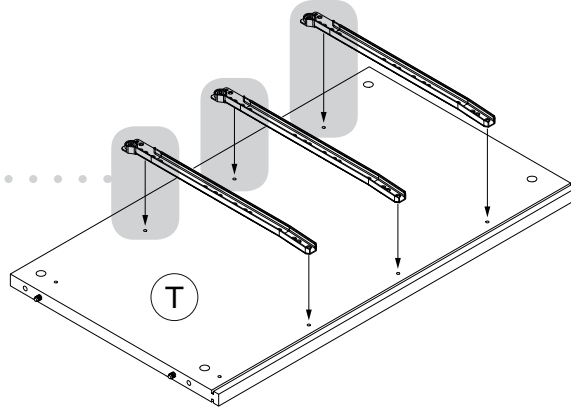
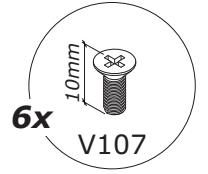
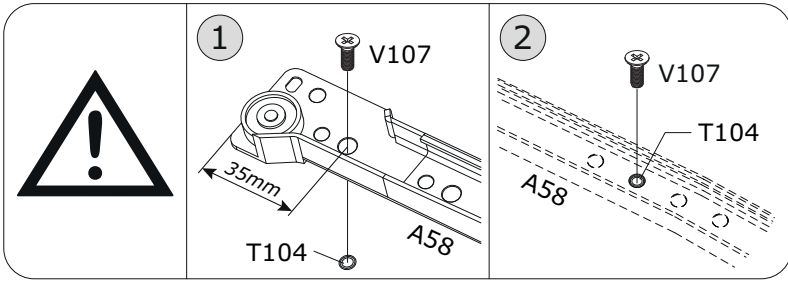
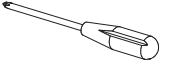
2



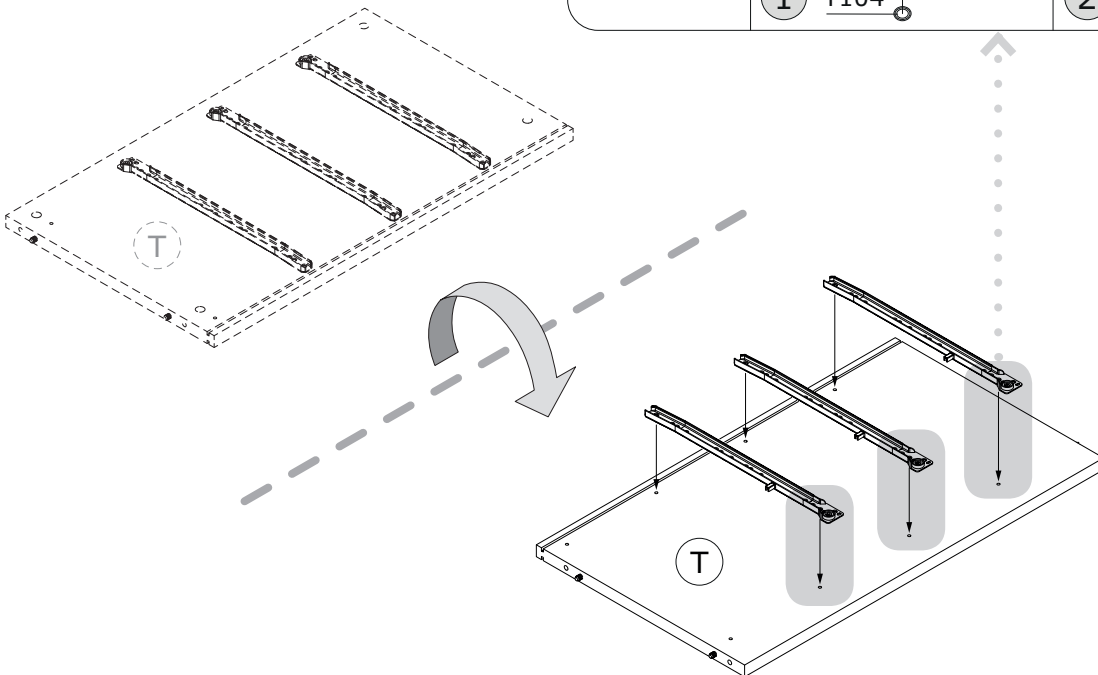
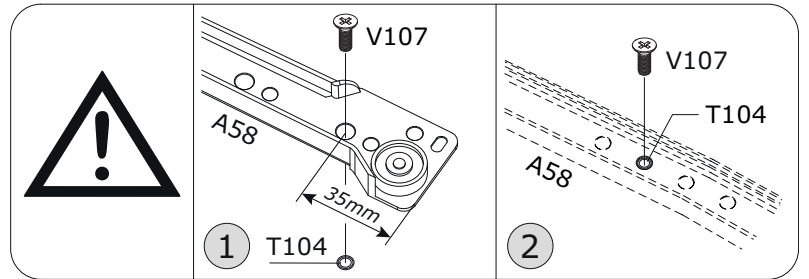
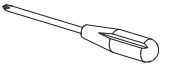
3



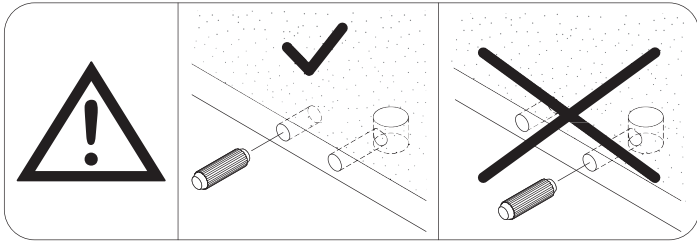
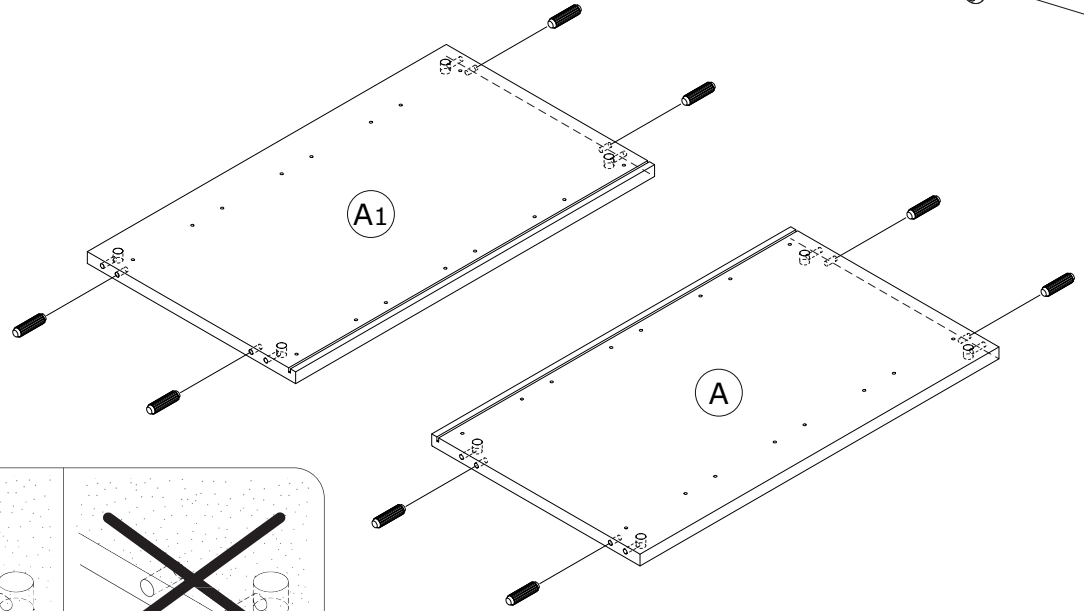
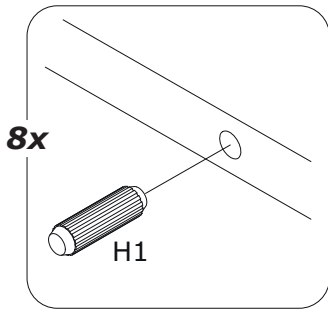
4



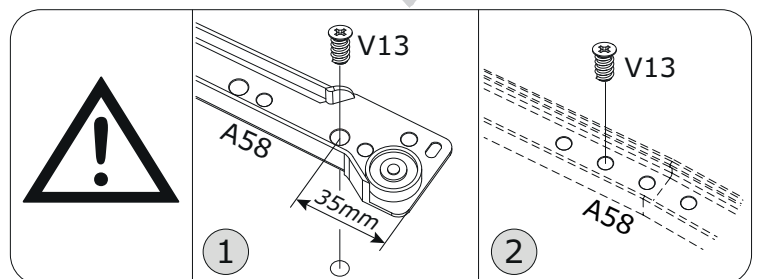
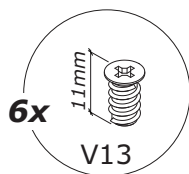
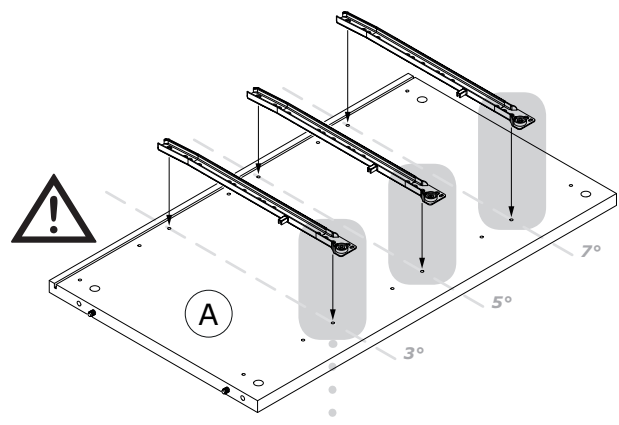
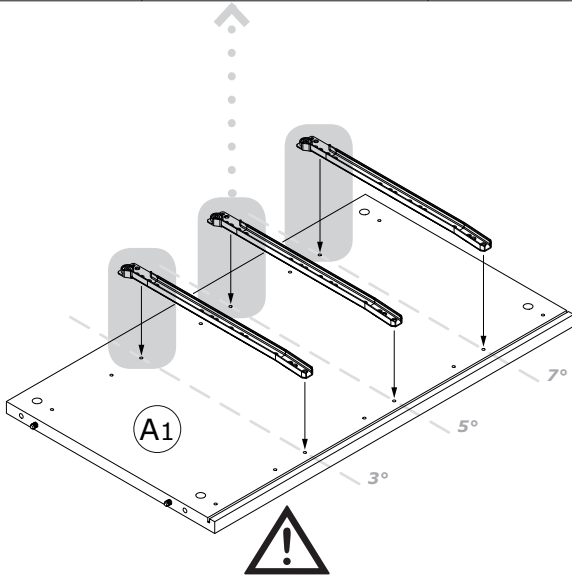
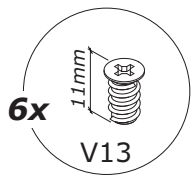
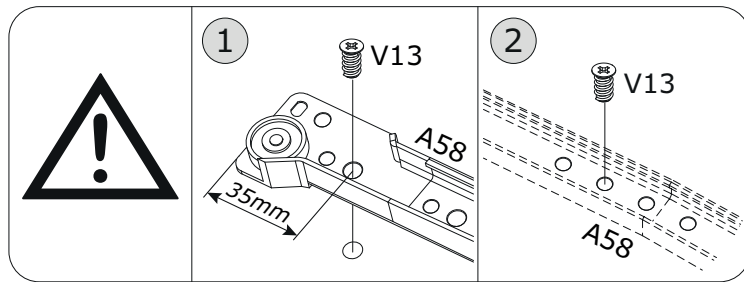
5



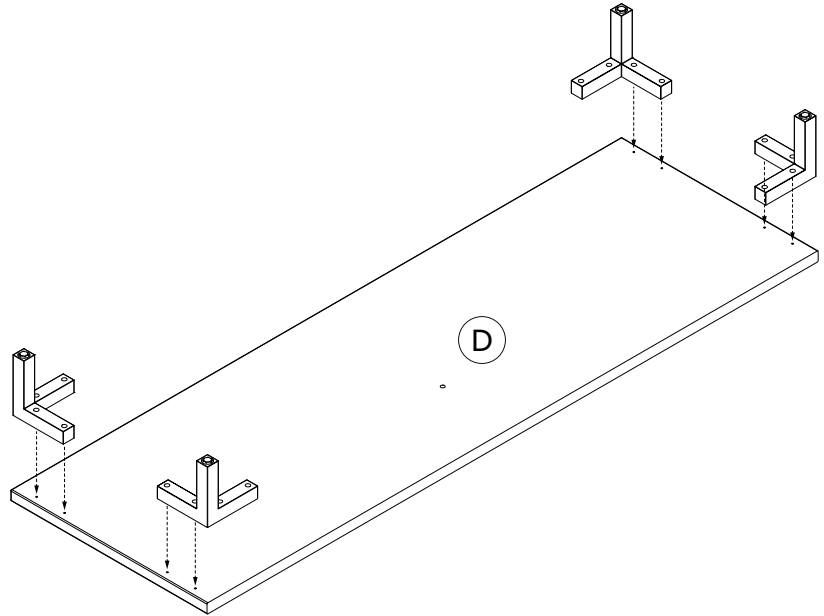
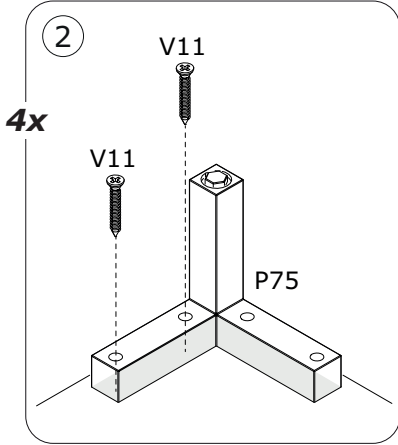
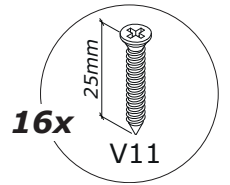
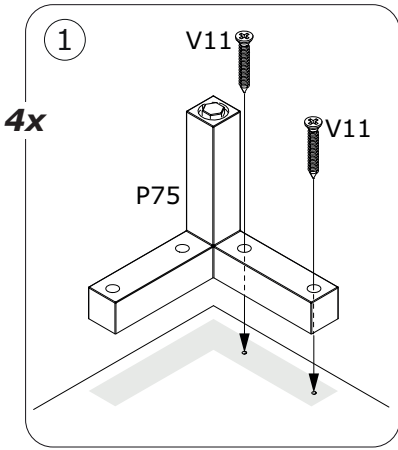
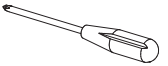
6



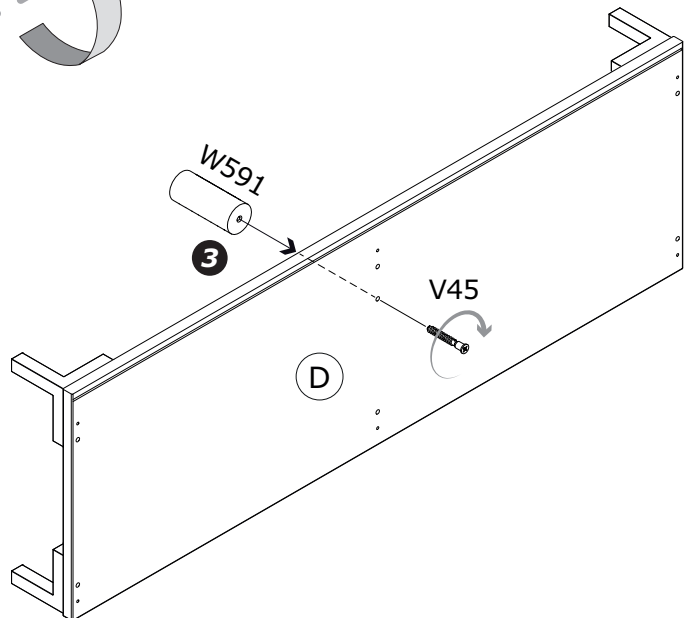
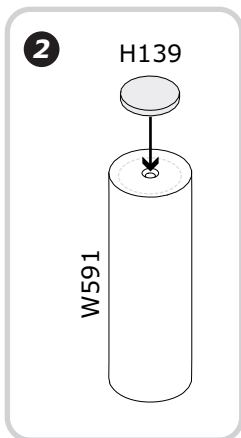
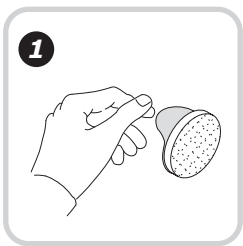
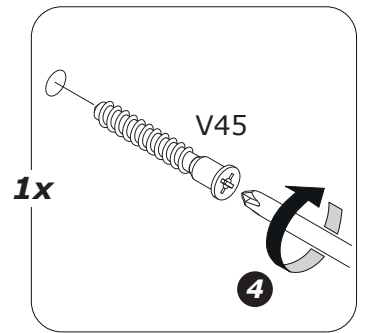
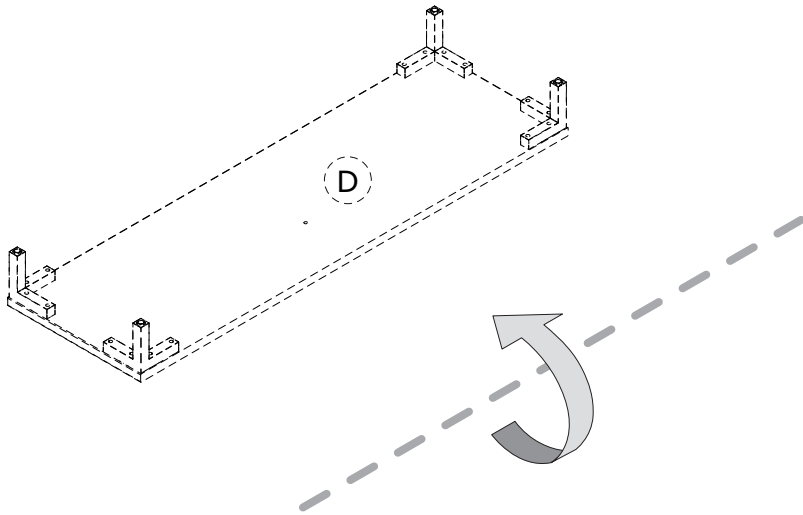
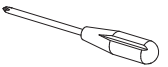
7



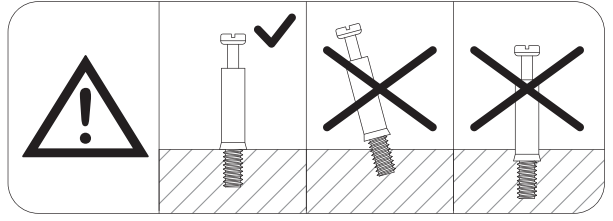
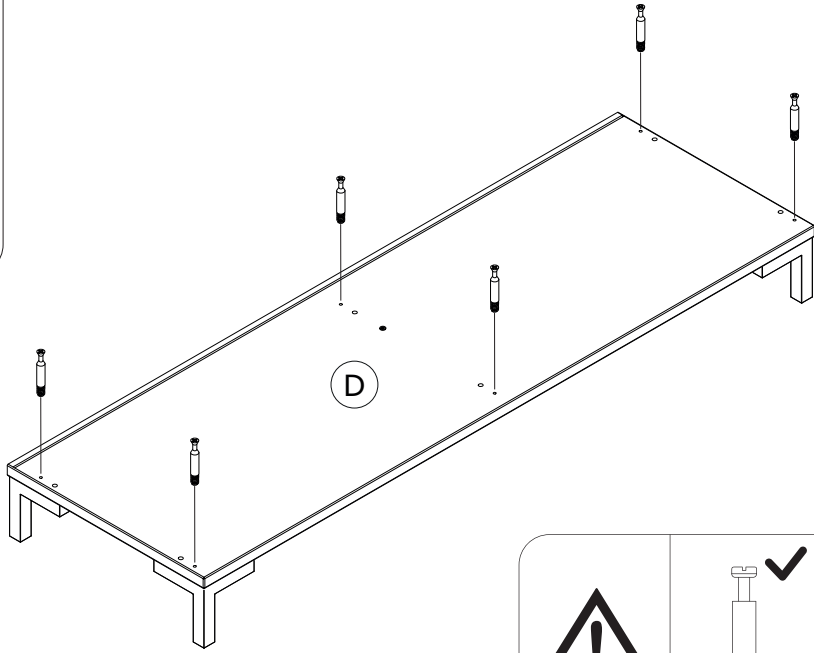
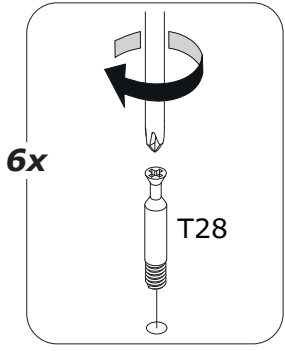
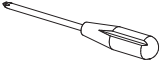
8



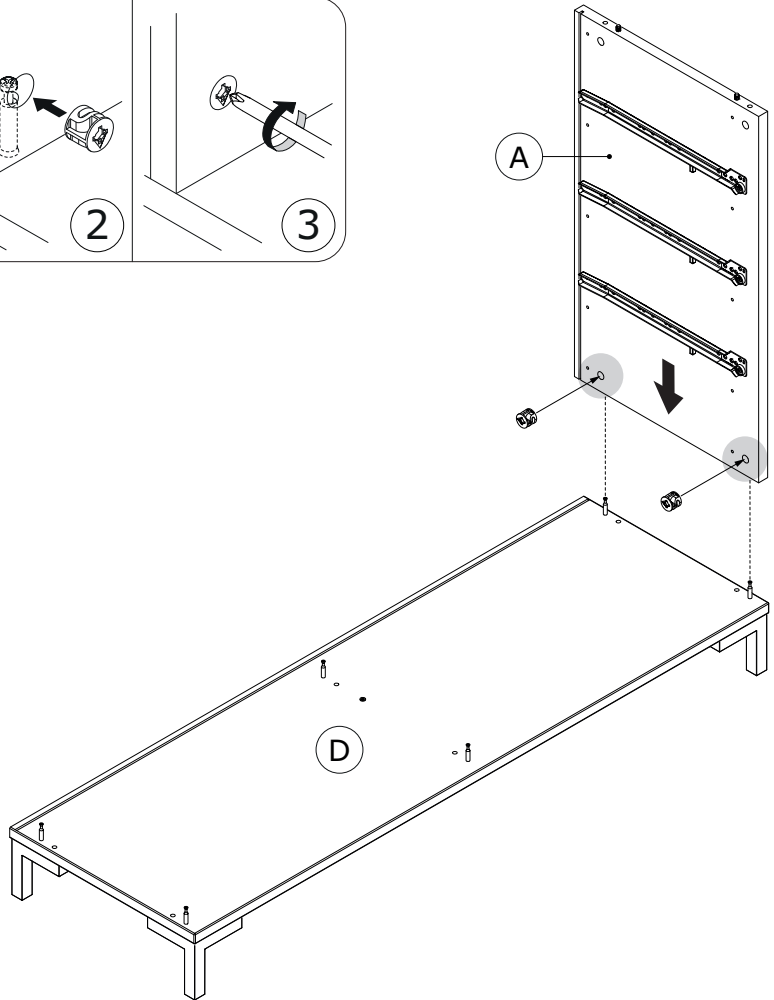
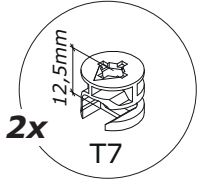
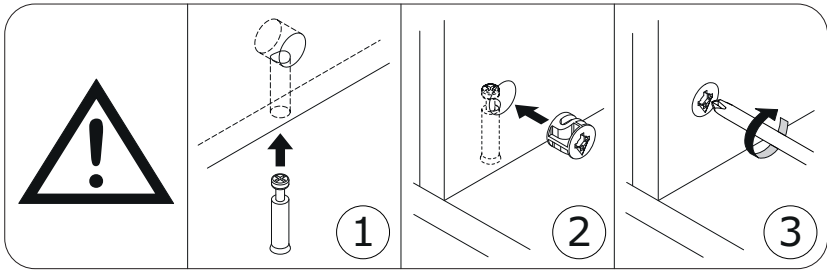
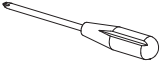
9

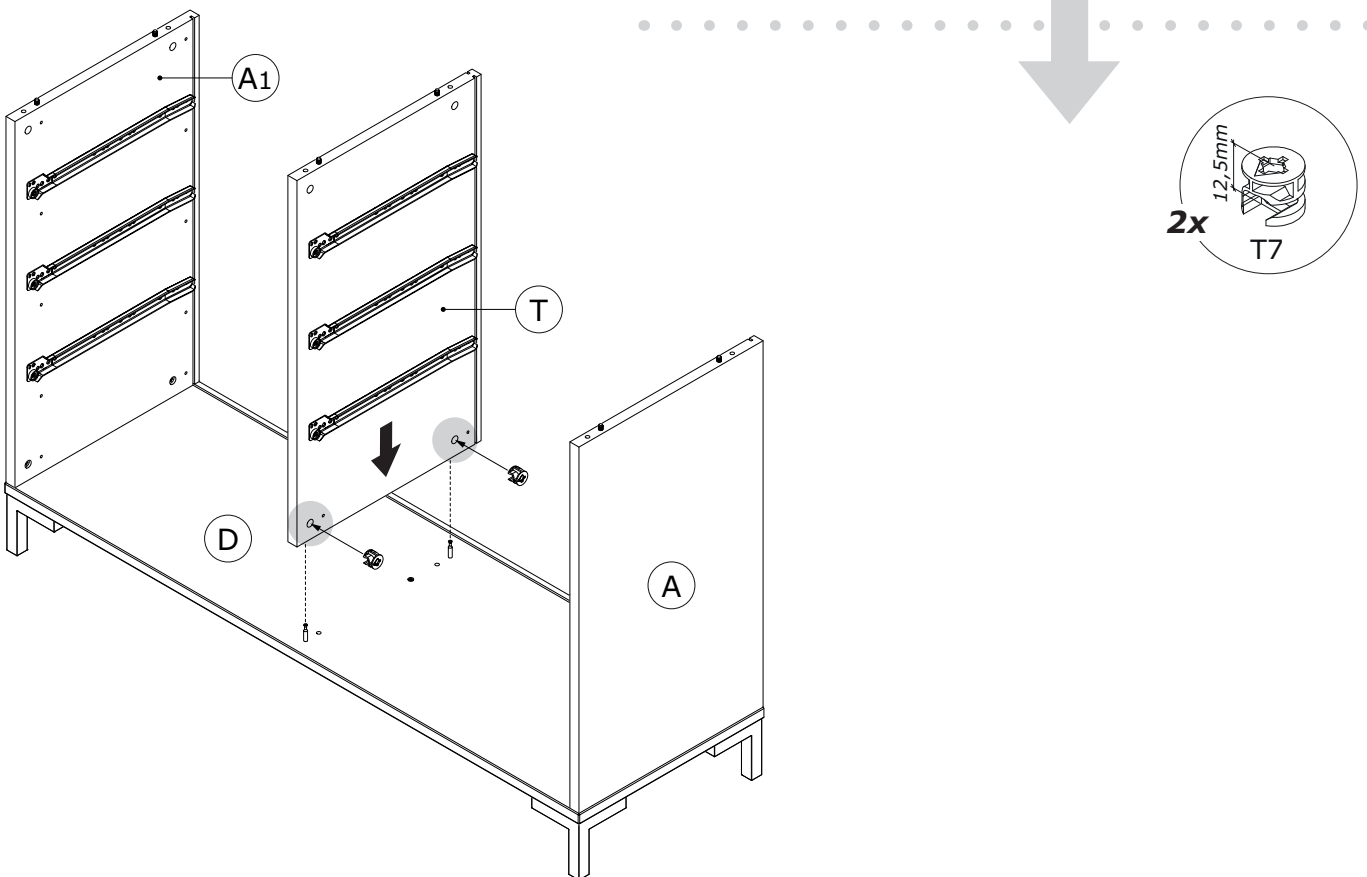
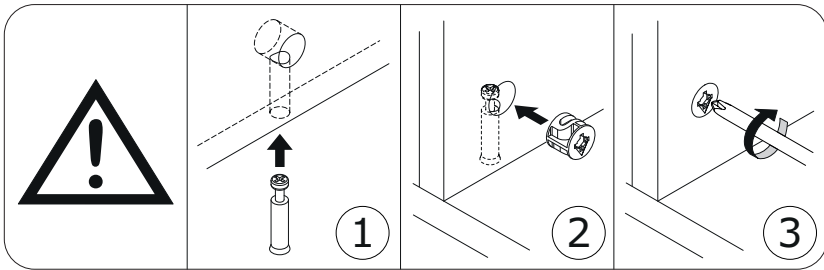
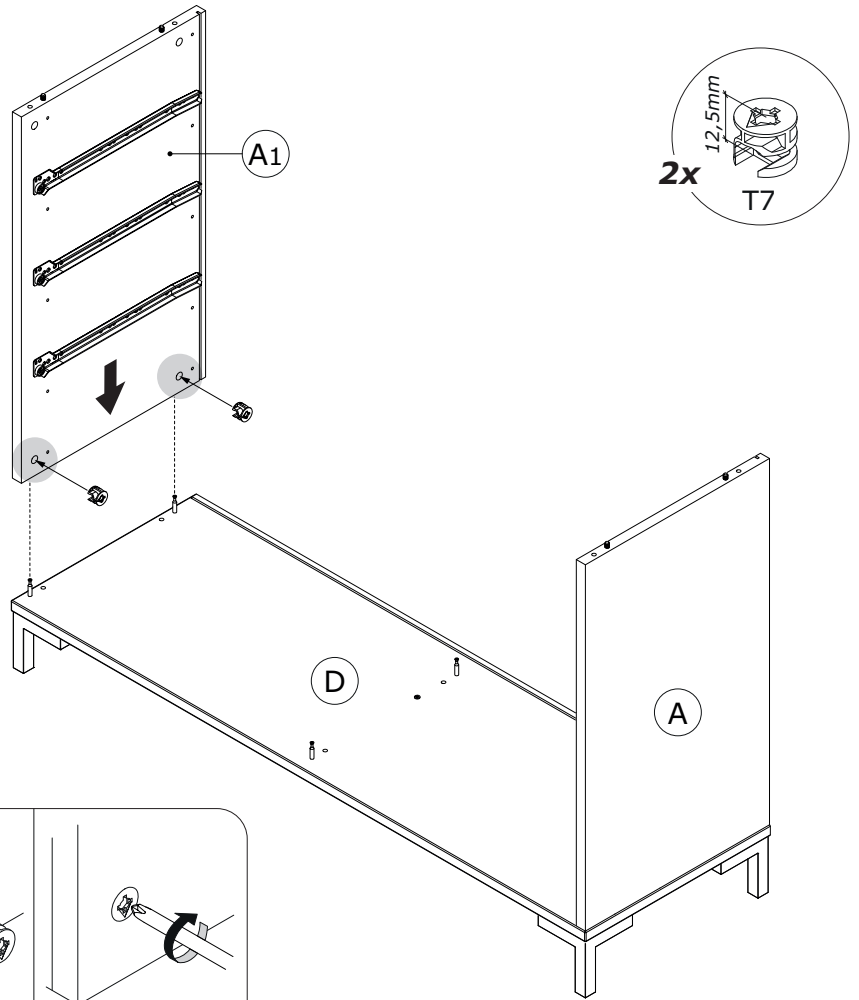
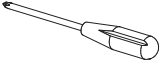


10

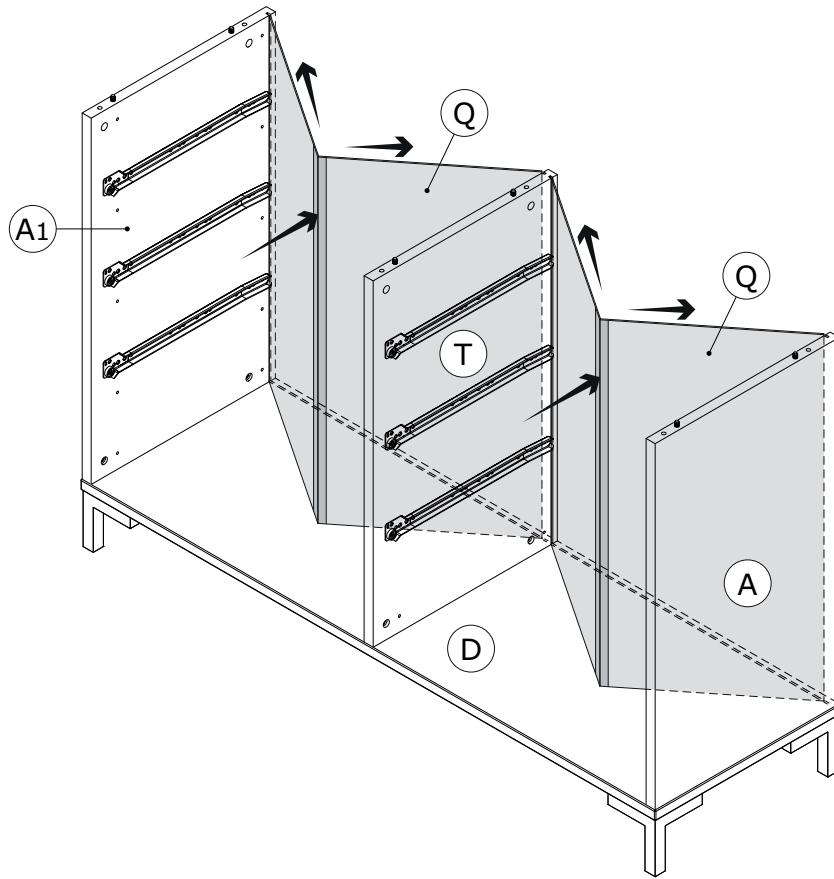


11

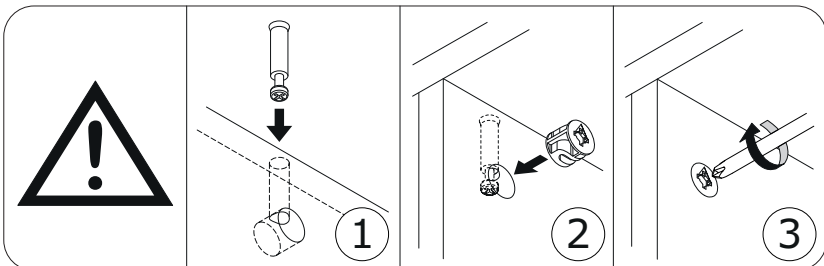
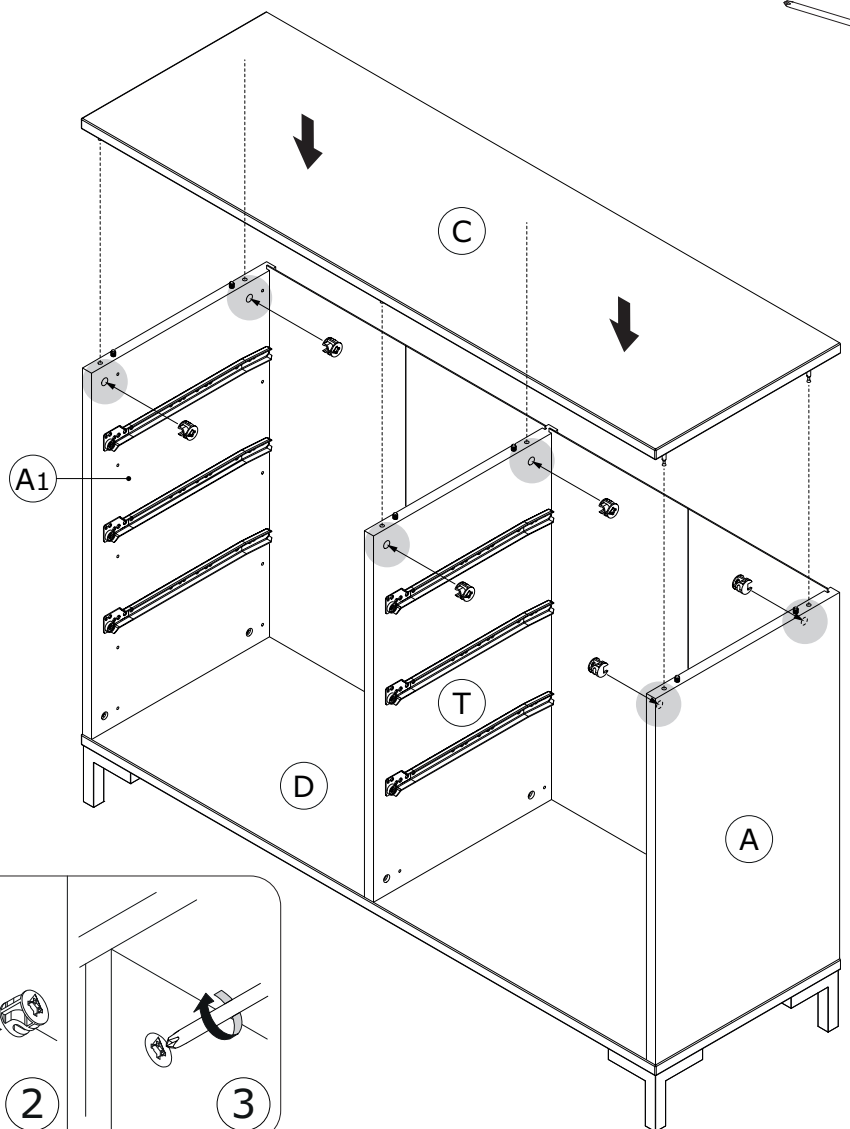
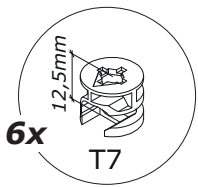


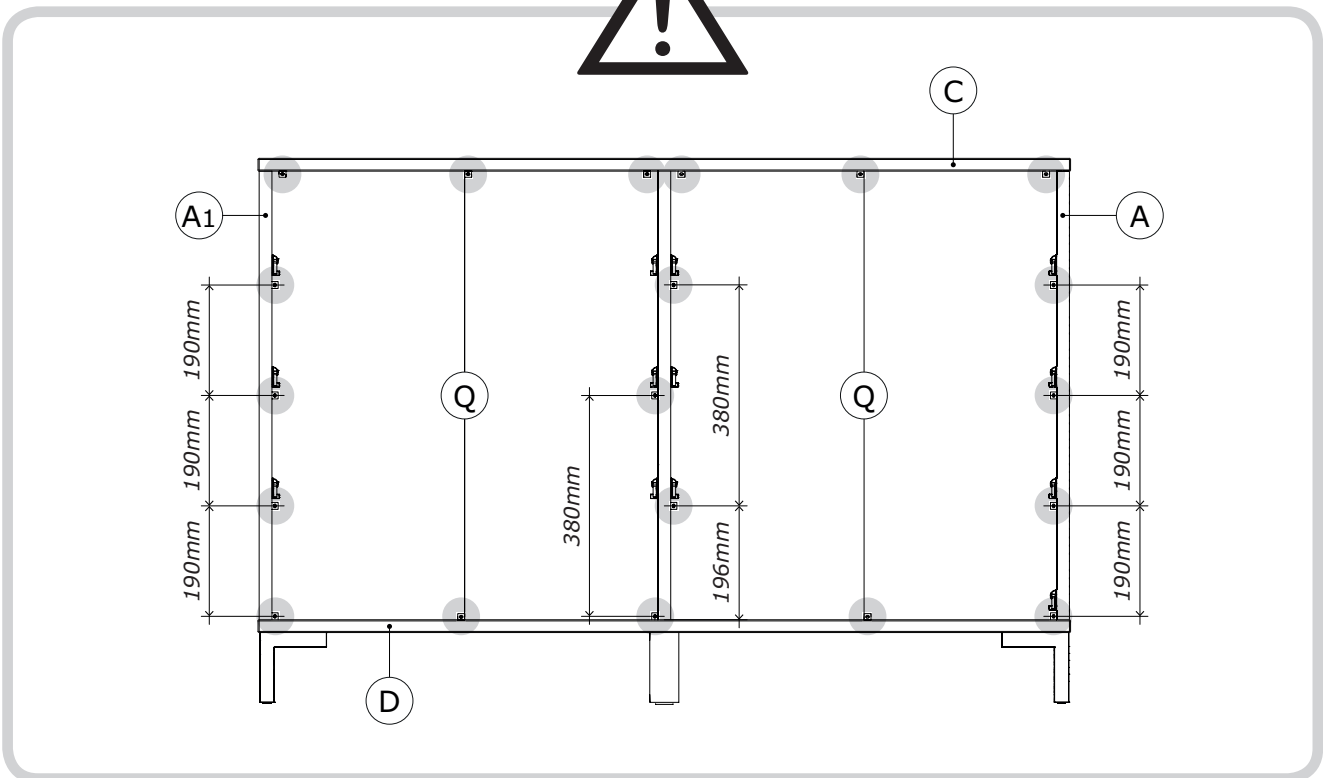
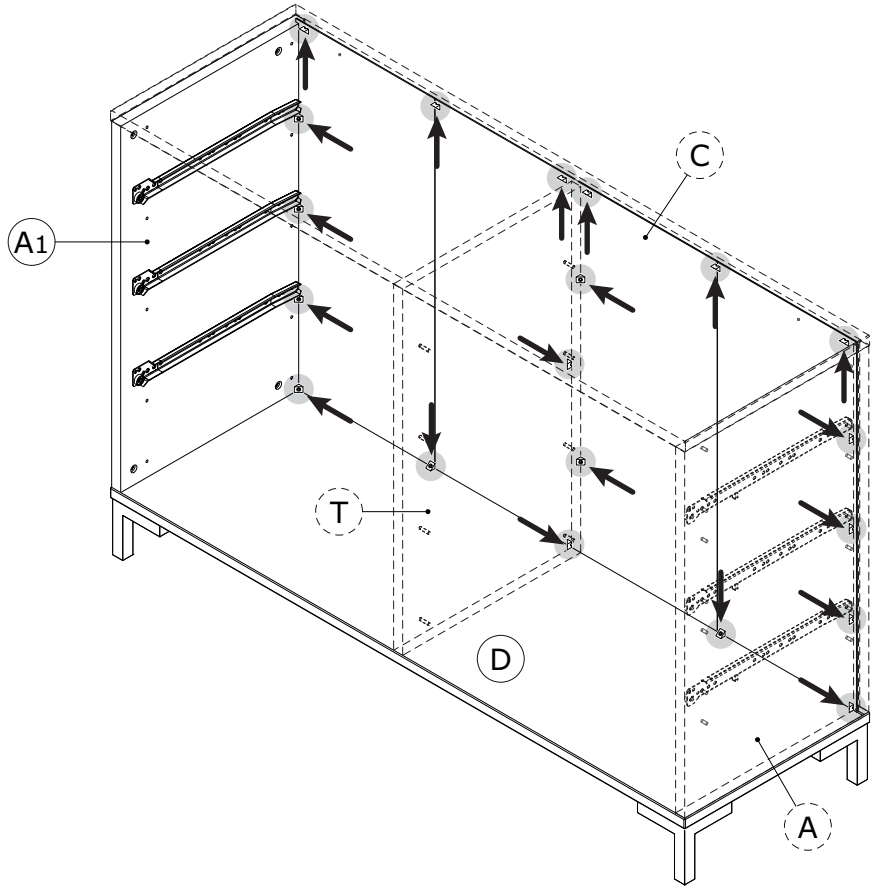
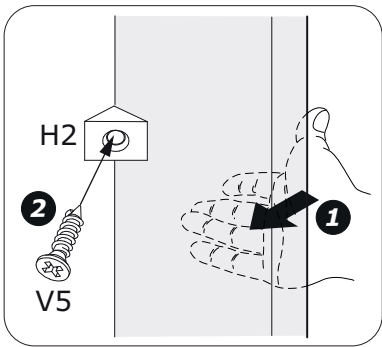
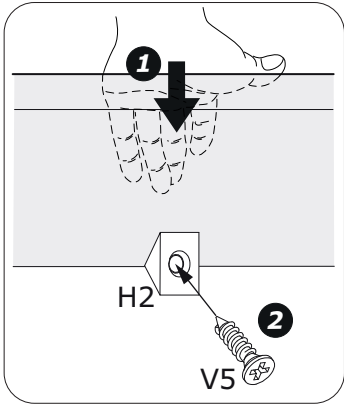
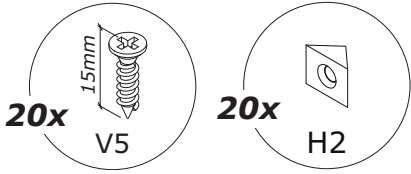
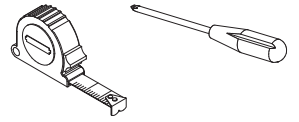


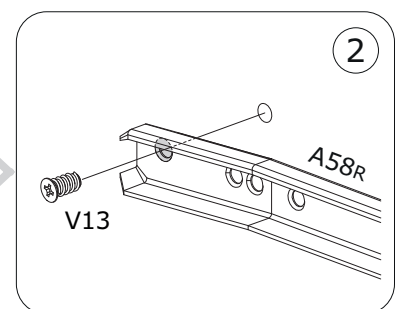
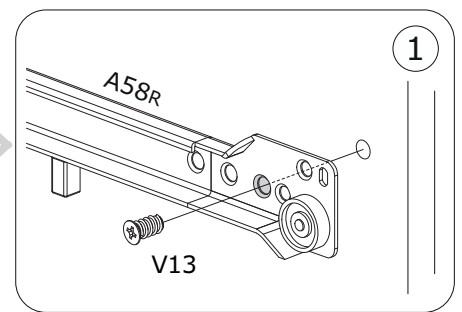
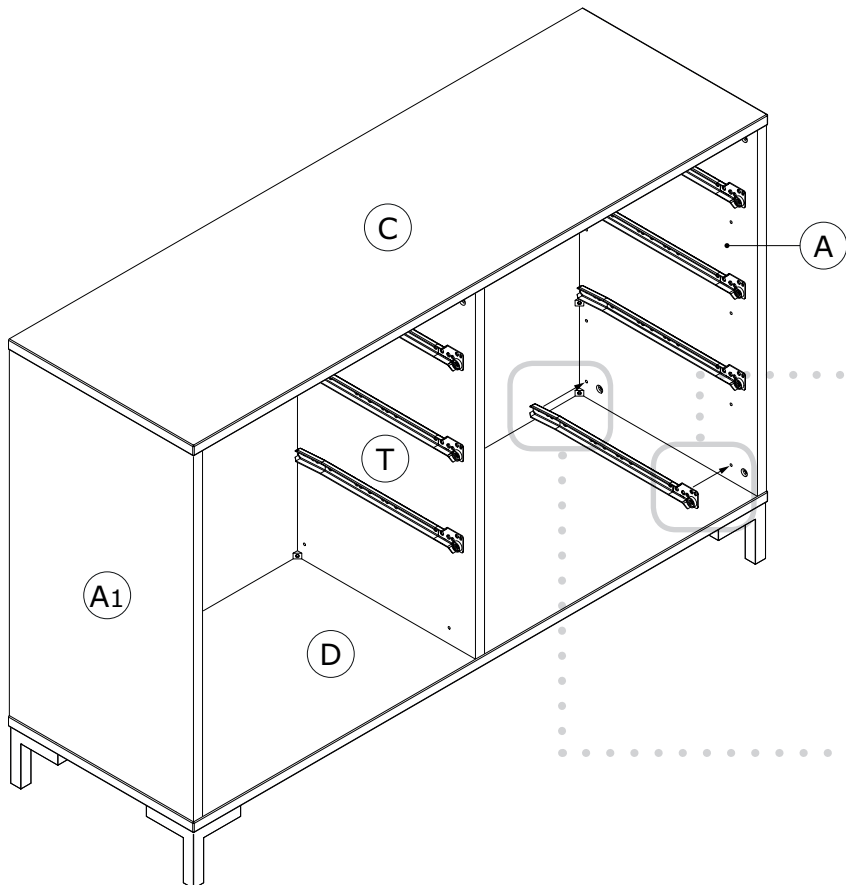
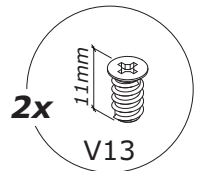
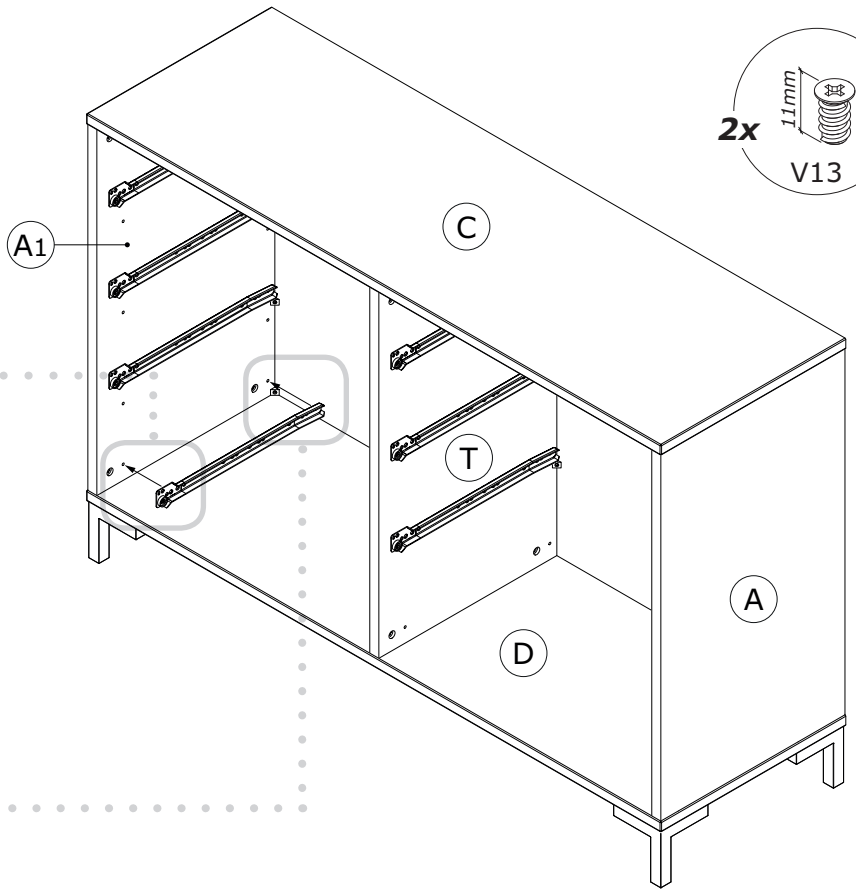
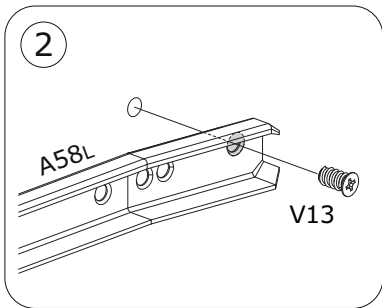
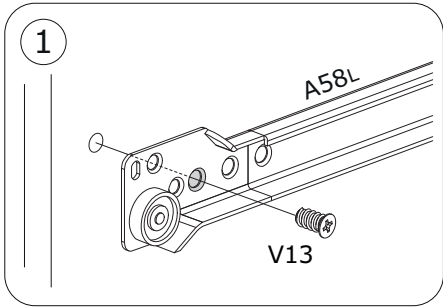
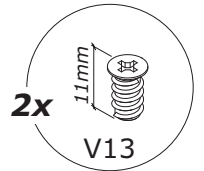
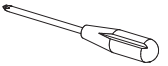
13

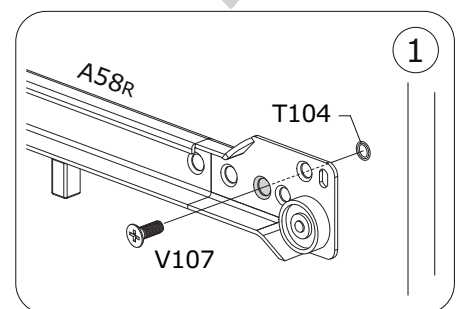
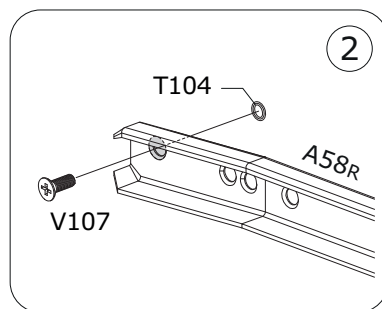
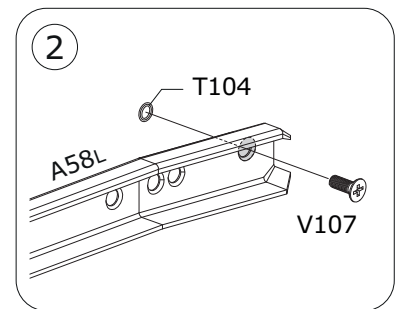
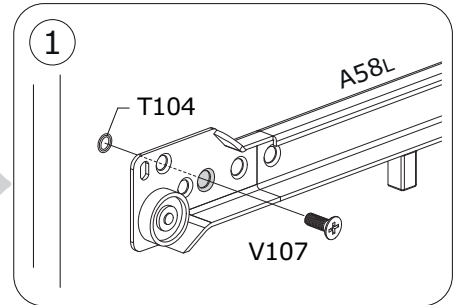
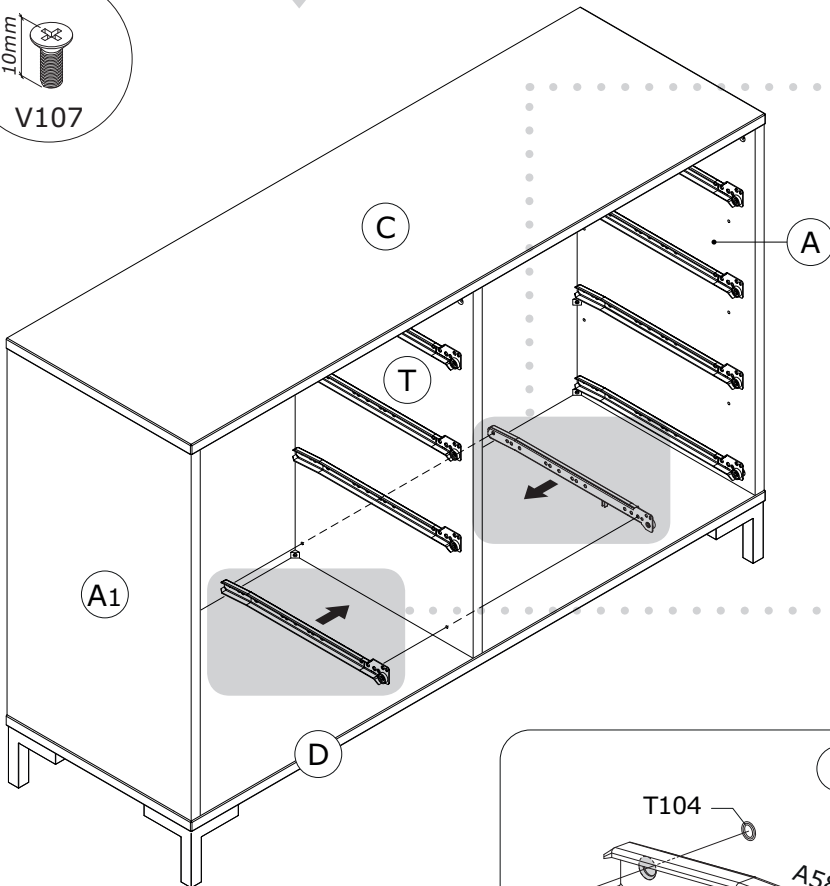
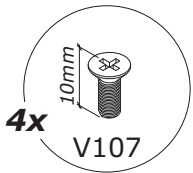
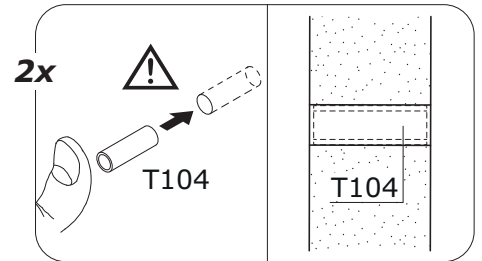
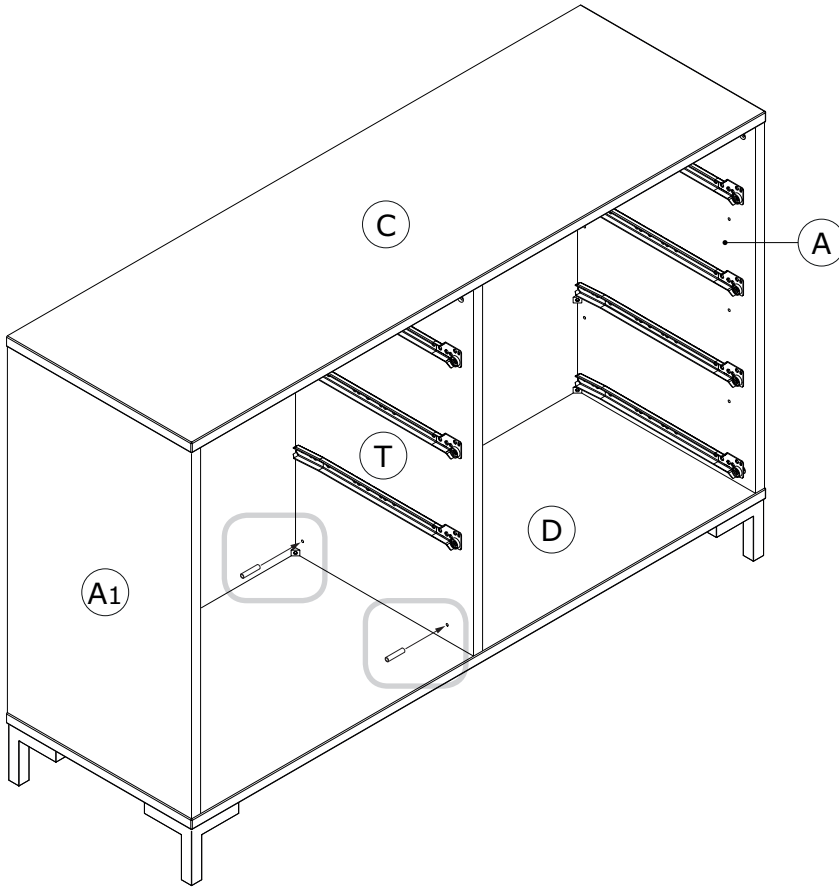
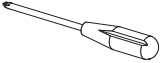


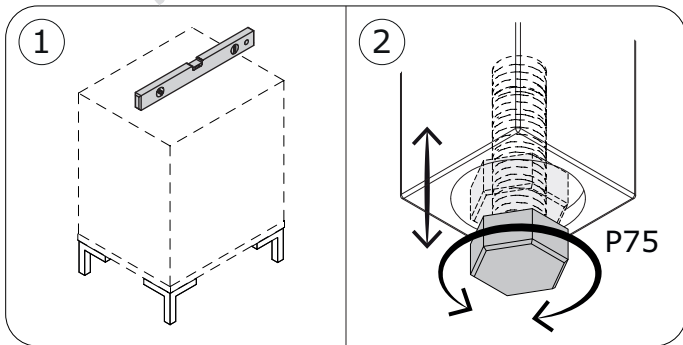
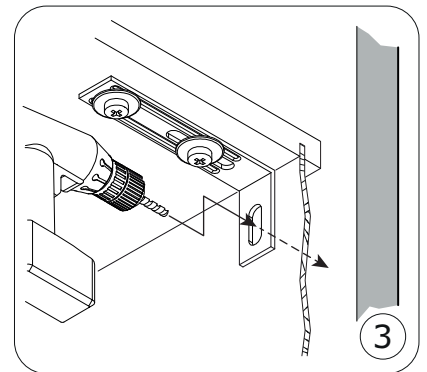
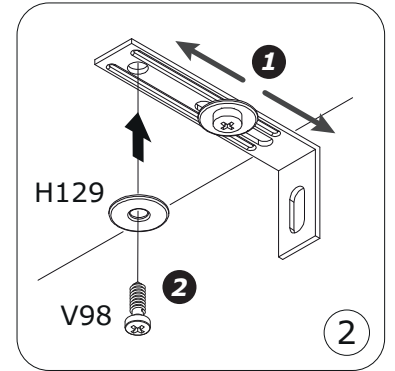
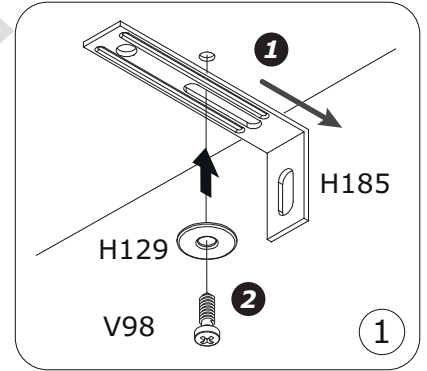
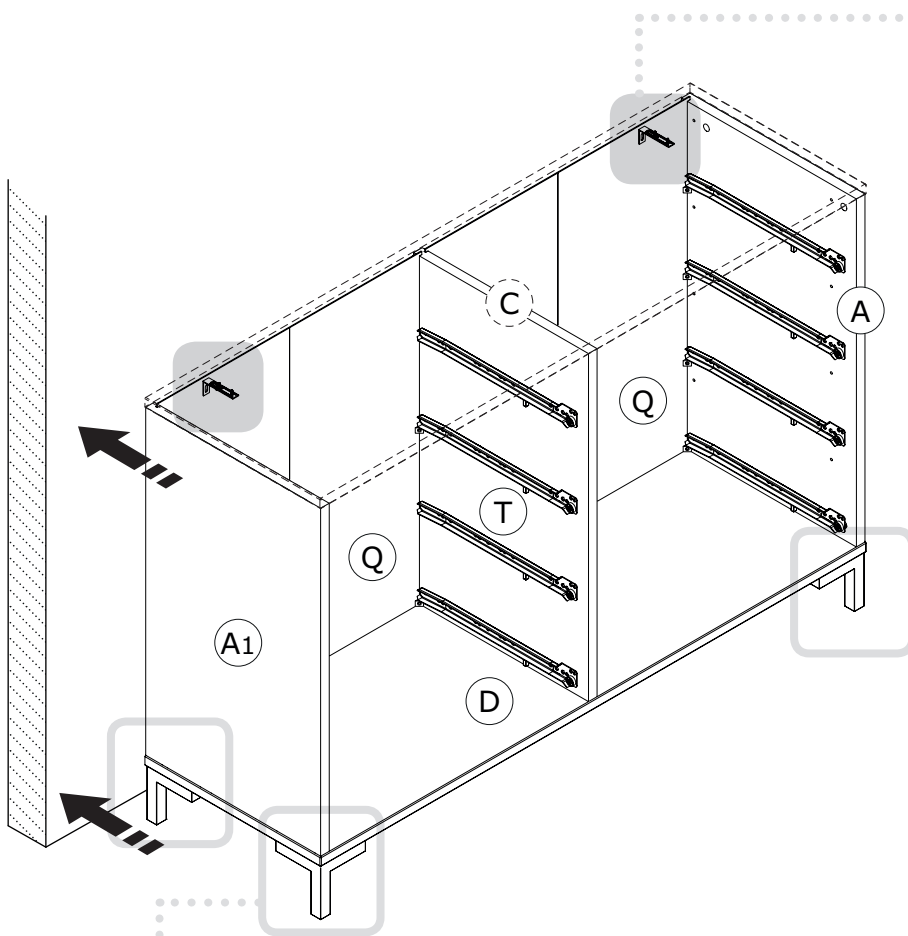
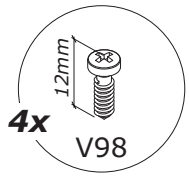
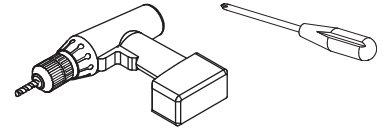
14



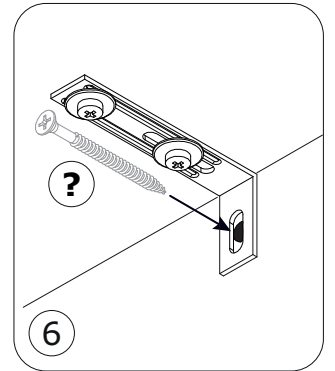
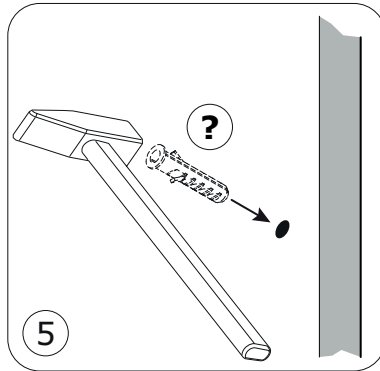
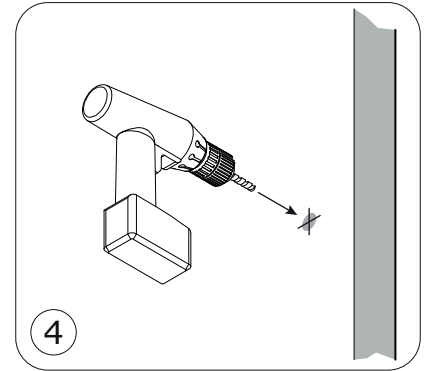
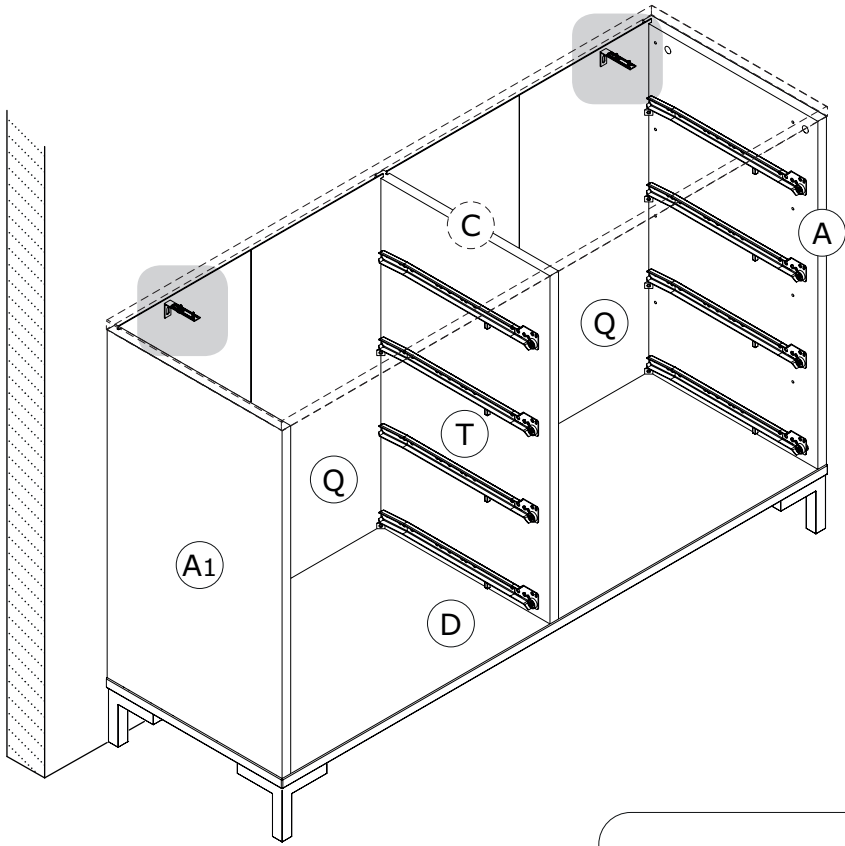
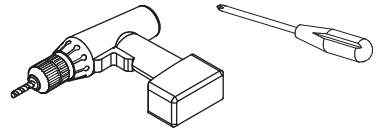




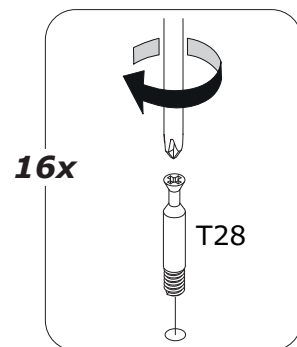
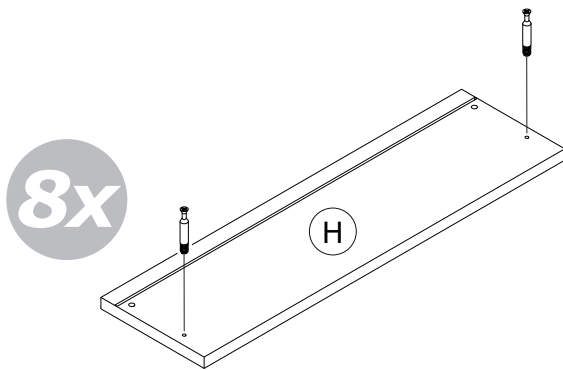
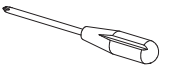


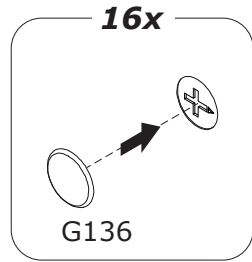
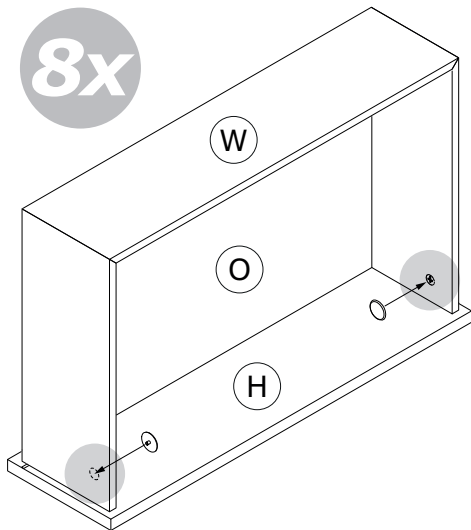
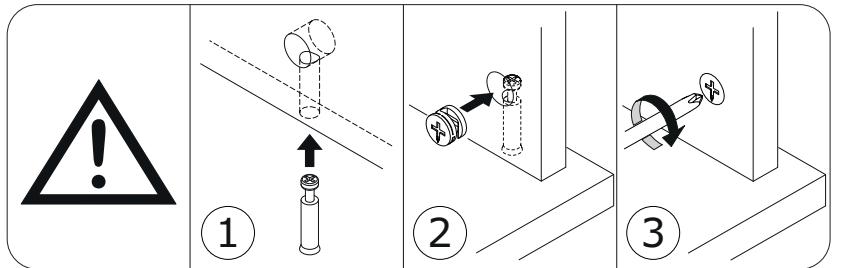
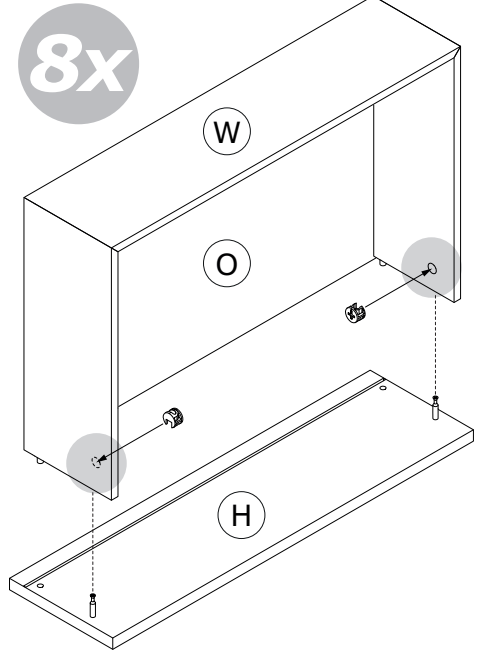
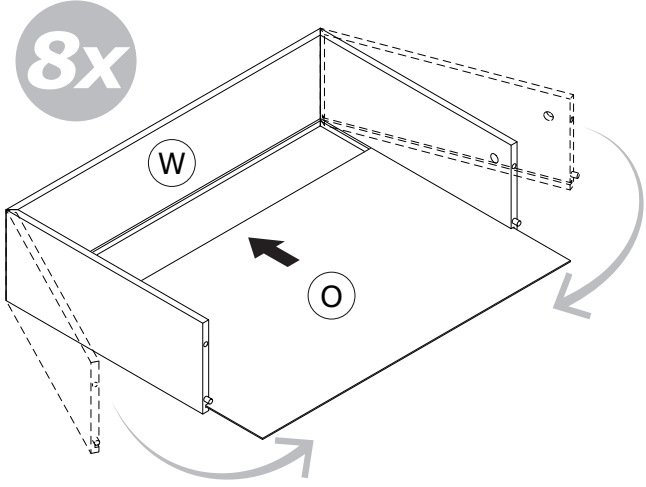
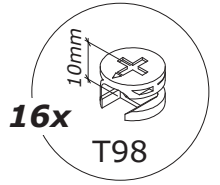
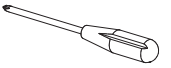


19

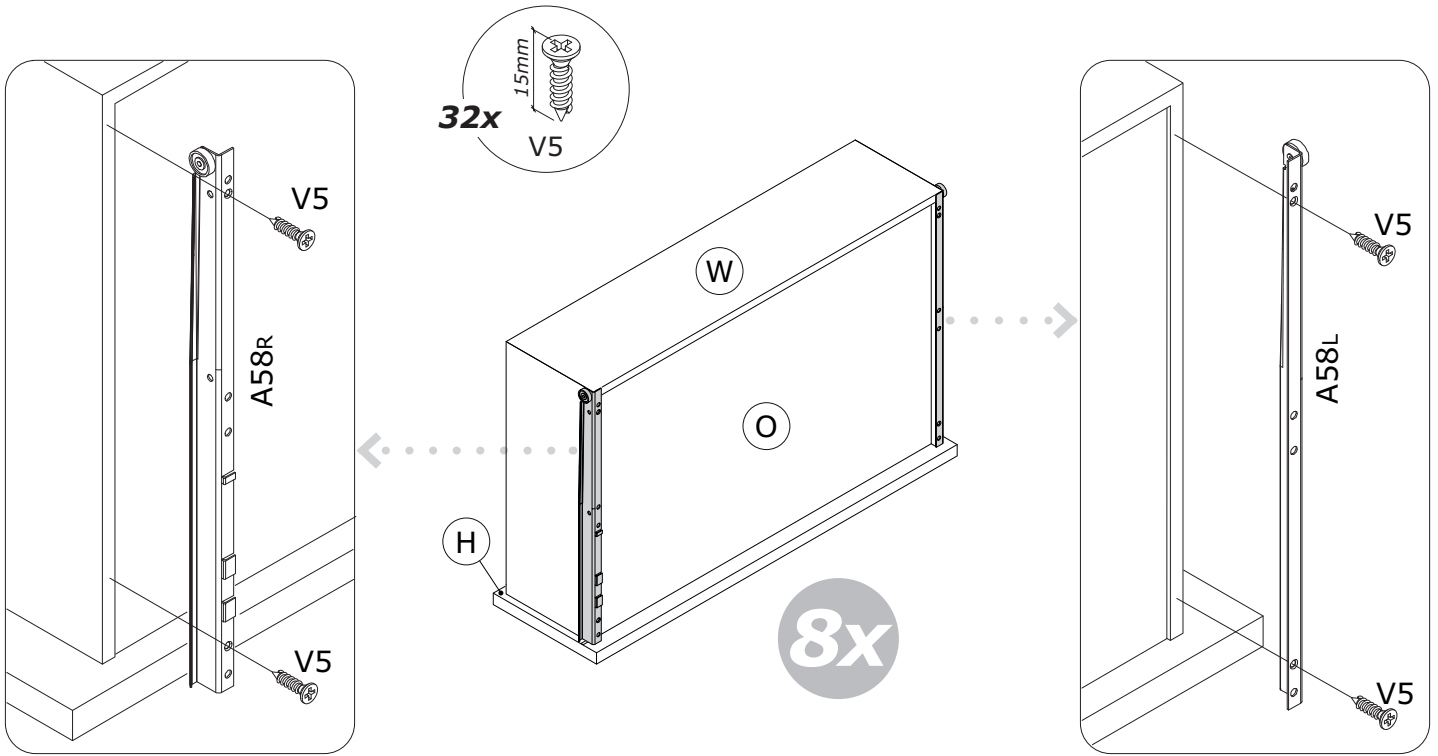
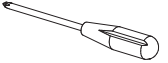


20

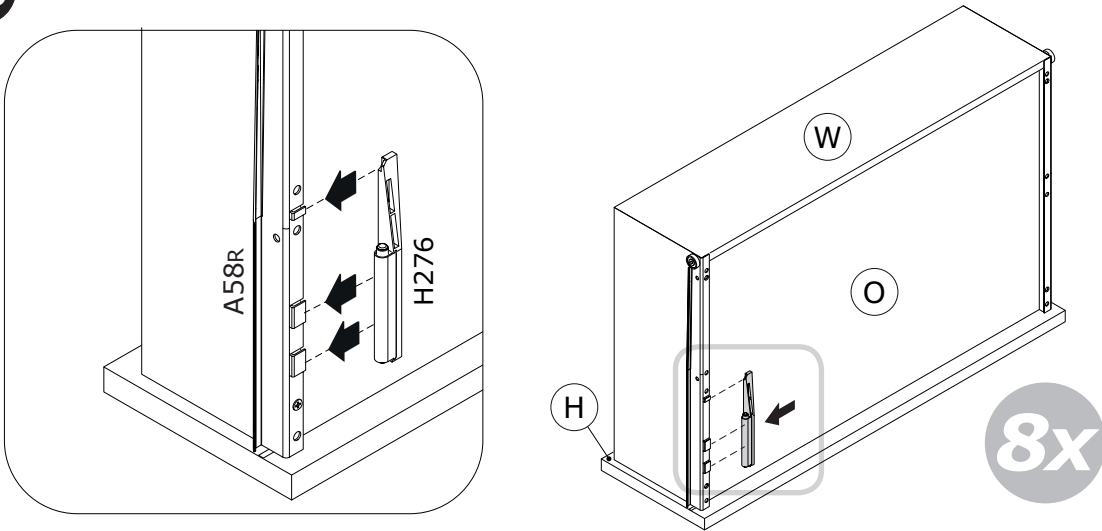




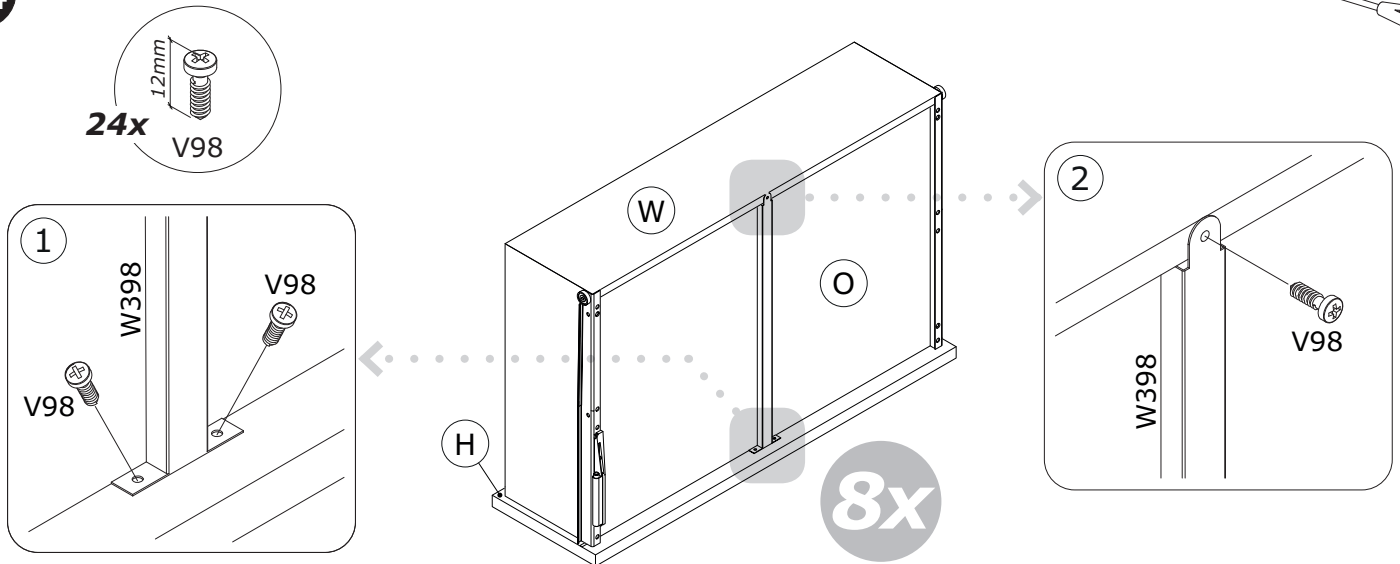
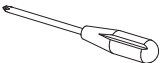
22



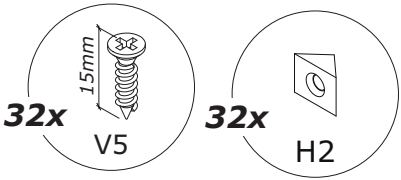
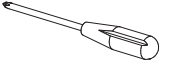
23



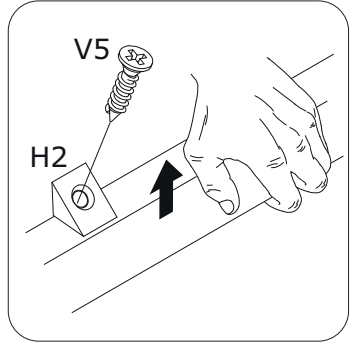
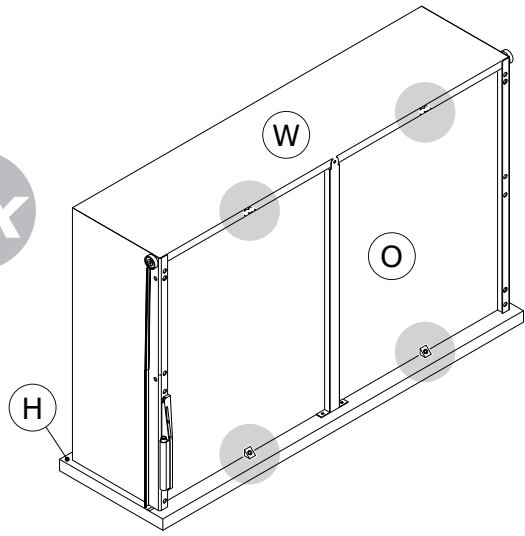
24



25



8x



26

