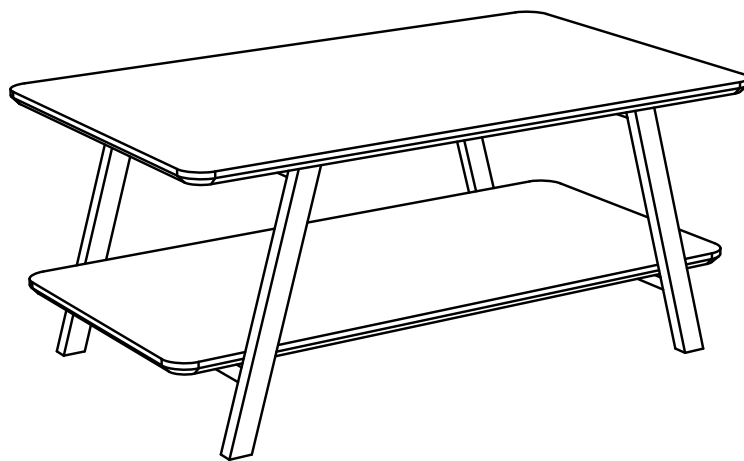


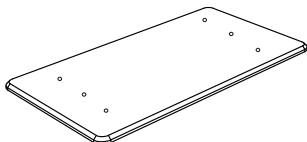
ASSEMBLY INSTRUCTIONS



Ternura Coffee Table KD

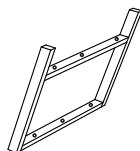
BOX COMPONENTS

(A)



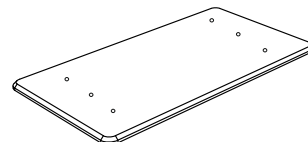
Top Structure | 1 piece

(B)



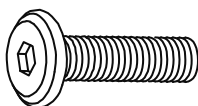
Legs | 2 pieces

(C)



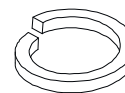
Shelf | 1 pieces

(D)



Allen Bolt | 8 x 30 mm
12 pieces

(E)



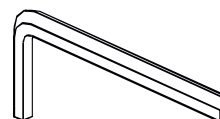
Lock Washer | 8 x 16 mm
12 pieces

(F)



Flat Washer | 8 x 18 mm
12 pieces

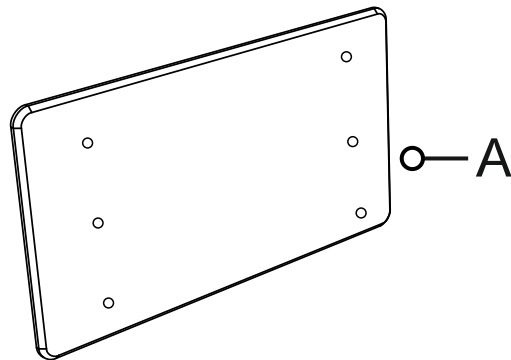
(G)



Allen Key | 5 mm
1 pieces

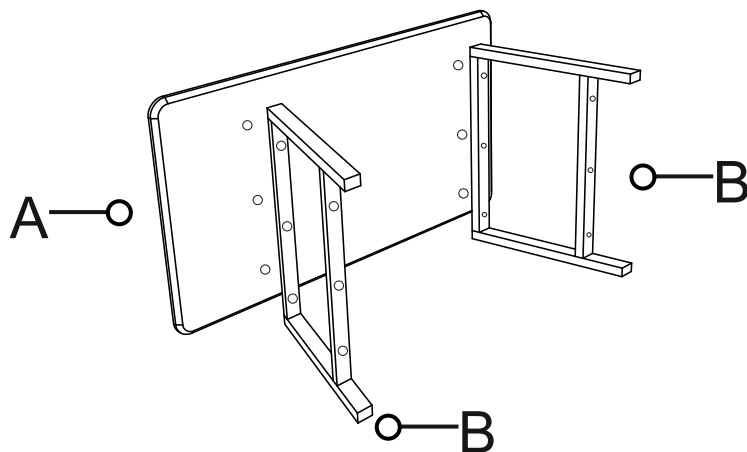
FOLLOW THE GIVEN STEP-BY-STEP PROCESS TO ASSEMBLE

STEP
01



Place the top structure (A) upside down on level surface.

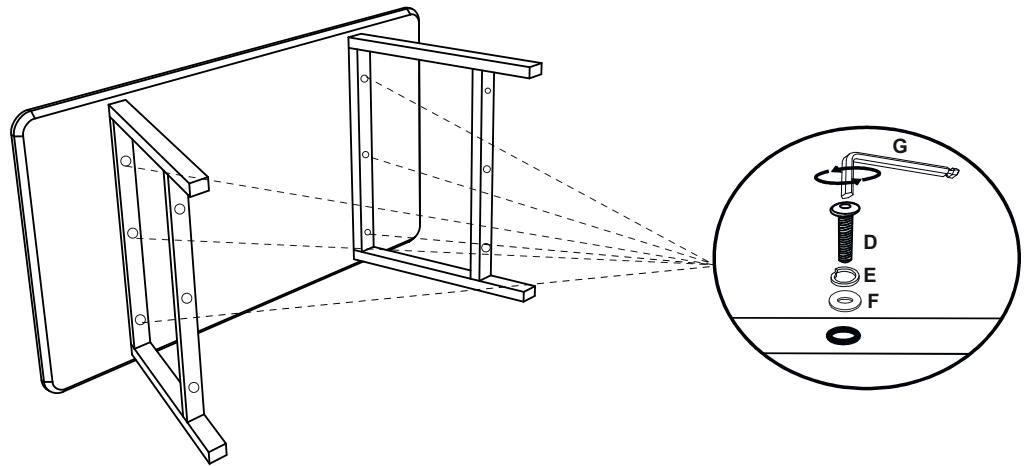
STEP
02



Place legs (B) in top bottom frame (A) as show in
the reference picture.

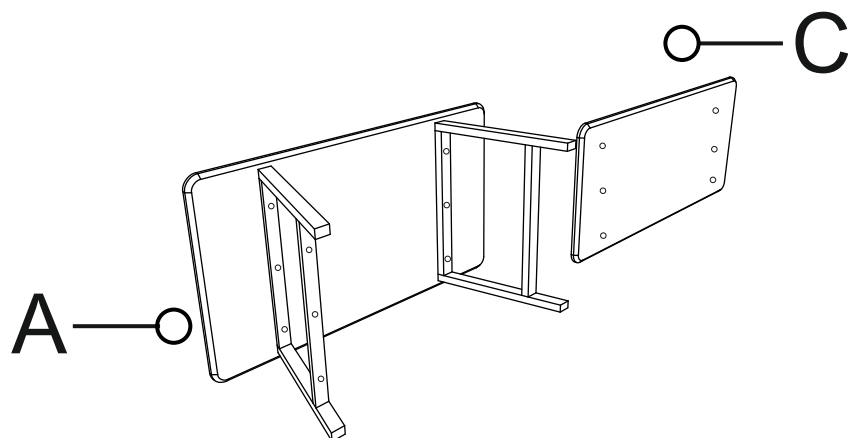
FOLLOW THE GIVEN STEP-BY-STEP PROCESS TO ASSEMBLE

STEP
03



Using key (G) tighten bolt (D), lock washer (E) and flat washer (F) to tighten the top frame (A) and legs (B) as show in the reference picture.

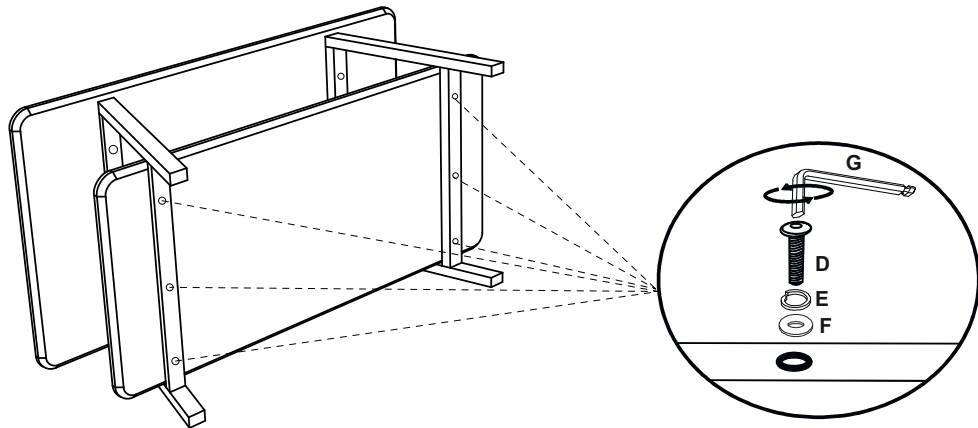
STEP
04



Insert the shelf (C) in the Legs frame (B).as show in the reference picture.

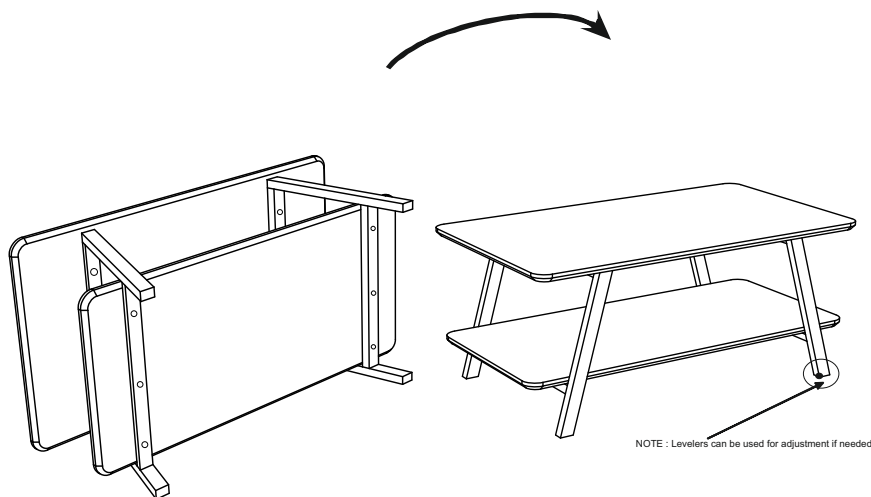
FOLLOW THE GIVEN STEP-BY-STEP PROCESS TO ASSEMBLE

STEP
05



Using key (G) tighten bolt (D), lock washer (E) and flat washer (F) to tighten the top frame (A) and legs (B) as show in the reference picture.

STEP
06



Flip the table right side up on the legs.
Adjustable levelers on the bottom of each leg can be used for additional leveling adjustments if needed. Assembly is now complete and the product is ready to use.