

DRESSER AND MIRROR

ASSEMBLY INSTRUCTIONS



ASSEMBLY INSTRUCTIONS

ASSEMBLY TIPS

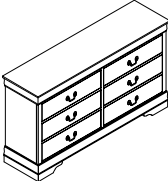
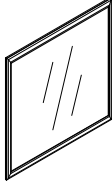
1. Remove hardware from box and sort by size.
2. Please check to see that all hardware and parts are present prior to start of assembly.
3. Please follow attached instruction in the same sequence as numbered to assure fast & easy assembly.



Warning !


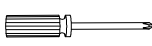
1. Don't attempt to repair or modify parts that are broken or defective. Please contact the store immediately.
2. This product is for home use only and not intended for commercial establishment.

PARTS IDENTIFICATION

A		DRESSER	1PC	B		MIRROR	1PC
----------	---	----------------	------------	----------	---	---------------	------------

NOTE : MIRROR SUPPORT PACKED WITH DRESSER

HARDWARE IDENTIFICATION

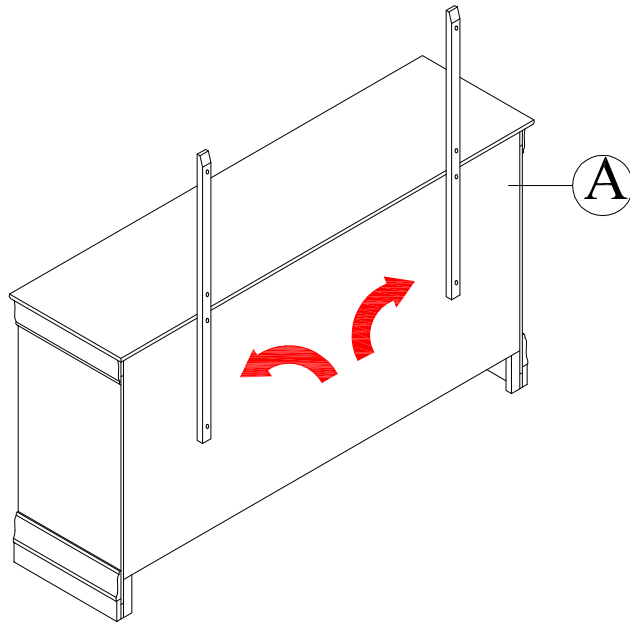
1		FLAT HEAD SCREW	6PCS
2		PHILIPS HEAD SCREW DRIVER	1PC

NOTE : MANUFACTURER DOES NOT PROVIDE ITEM 2

ASSEMBLY INSTRUCTIONS

STEP 1

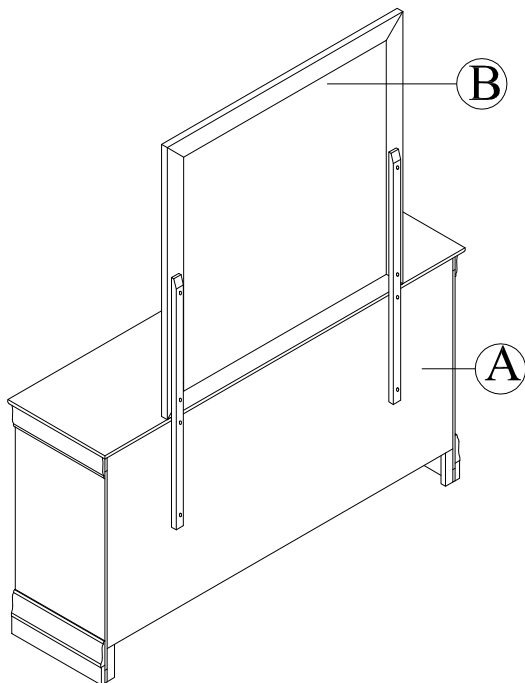
Turn the mirror support upright.



** BACK VIEW

STEP 2

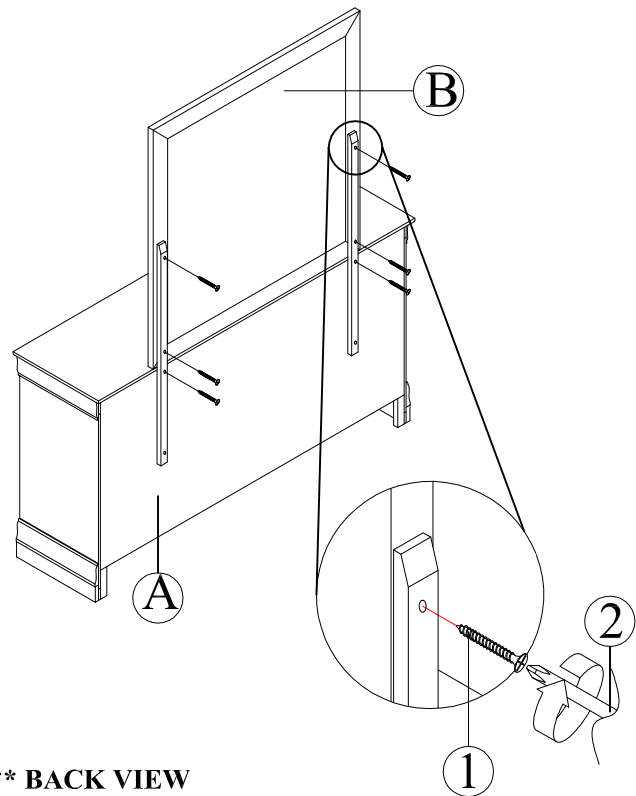
Place the mirror onto the top of dresser.



** BACK VIEW

STEP 3

Align and fasten mirror support to mirror and dresser using screw and tighten with screw driver (not provided).



** BACK VIEW