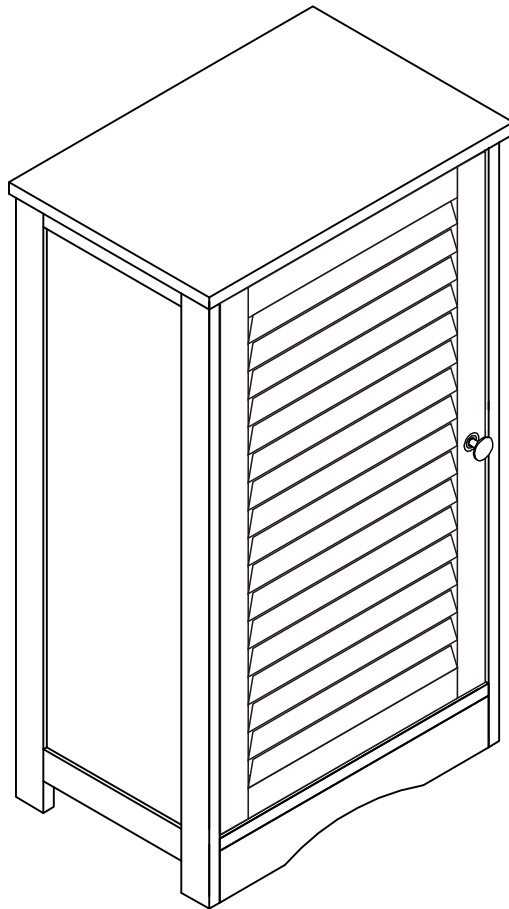




LAVISH HOME

— COLLECTION —

ASSEMBLY INSTRUCTION



NOTE: THIS INSTRUCTION BOOKLET CONTAINS IMPORTANT
SAFETY INFORMATION
PLEASE READ AND KEEP FOR FUTURE REFERENCE

Table of contents	2
General Information	3
Use and Storage of the Handbook	3
Intended use	3
Safety	3
Set up and assembly	3
Parts list	4
Hardware	5
Assembly instructions	6-9
Cleaning, care and Maintenance	10

General Information

Use and Storage of the Handbook

Thank you for purchasing our Lavish Home Collection product, we have designed our furniture with you, the customer in mind. Our clear and easy step by step instructions will guide you through the project from start to finish.

This user manual contains important and useful information to accompany your purchase. Failure to follow the instructions outlined may result in personal injury or damage to the product.

Please ensure you keep the instruction manual in a safe place, so you can refer to the instructions at any time in the future.

If you have any problems or questions, please email our customer service department at www.TeamCustomerService.com

Intended Use

This product is intended for indoor, household use only and has not been designed for commercial use.

Any improper use of the product could result in personal injury or damage to the product which the manufacturer or vendor cannot be held responsible.

Safety

Assembly is to be carried out by an adult only. During product assembly children should always be kept away due to possible risk of injury.

Keep packaging materials away from children and dispose of responsibly and immediately.

Do not use this item or attempt to assemble if any components are missing or damaged.

Please use caution and care when lifting the product to avoid personal injury and/or damage.

Please ensure that you have enough space and people to assemble your product safely.

Do not stand on the product or use as a stepladder.

Refer to the product's maximum weight capacity.

Set up and Assembly

Please check that all parts are present before you start the assembly.

For ease and speed of assembly, we recommend that before you start each step of the assembly that you identify all parts required for that step.

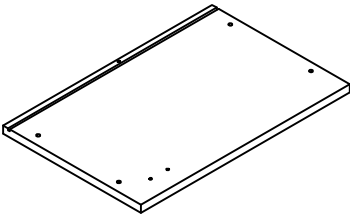
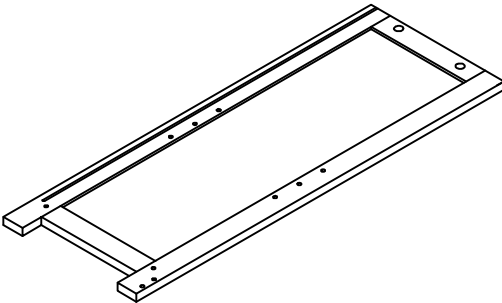
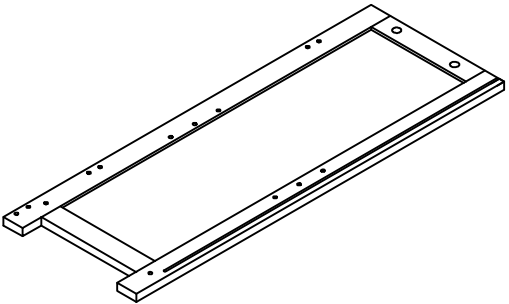
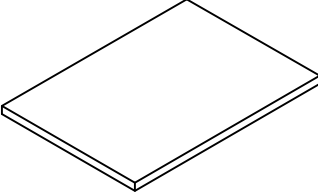
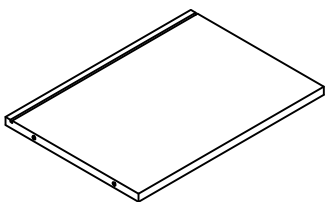
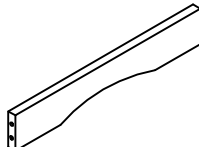
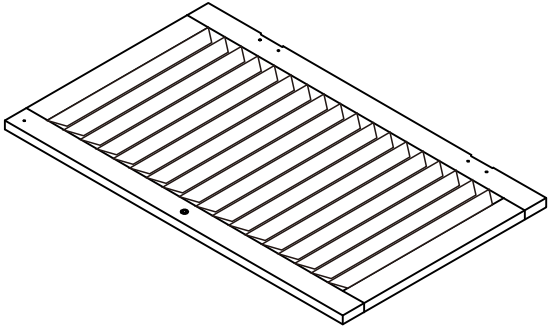
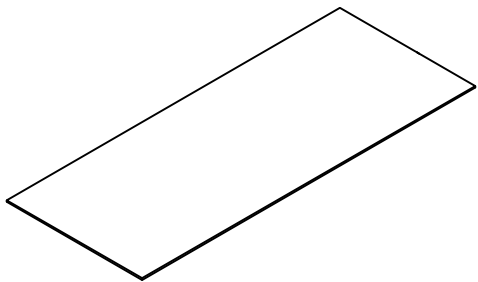
We recommend that where possible, all items are assembled near the area which they will be placed in use to avoid moving the product unnecessarily once assembled.

For the protection of your furniture, we recommend that the product be assembled on a protected surface to prevent any damage.

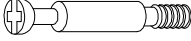


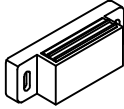
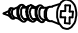

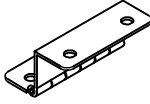


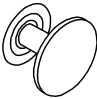


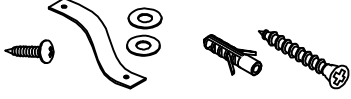

During assembly please take care not to over-tighten any fittings, as this may damage the product.

Always place the product on a flat and stable surface.

PART LIST

<p>A</p>  <p>Top board</p> <p>1PC</p>	<p>B</p>  <p>Right side board</p> <p>1PC</p>
<p>C</p>  <p>Left side board</p> <p>1PC</p>	<p>D</p>  <p>Shelf</p> <p>1PC</p>
<p>E</p>  <p>Bottom board</p> <p>1PC</p>	<p>F</p>  <p>Front cross bar</p> <p>1PC</p>
<p>G</p>  <p>Front door</p> <p>1PC</p>	<p>H</p>  <p>Back panel</p> <p>1PC</p>

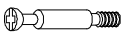

HARDWARE

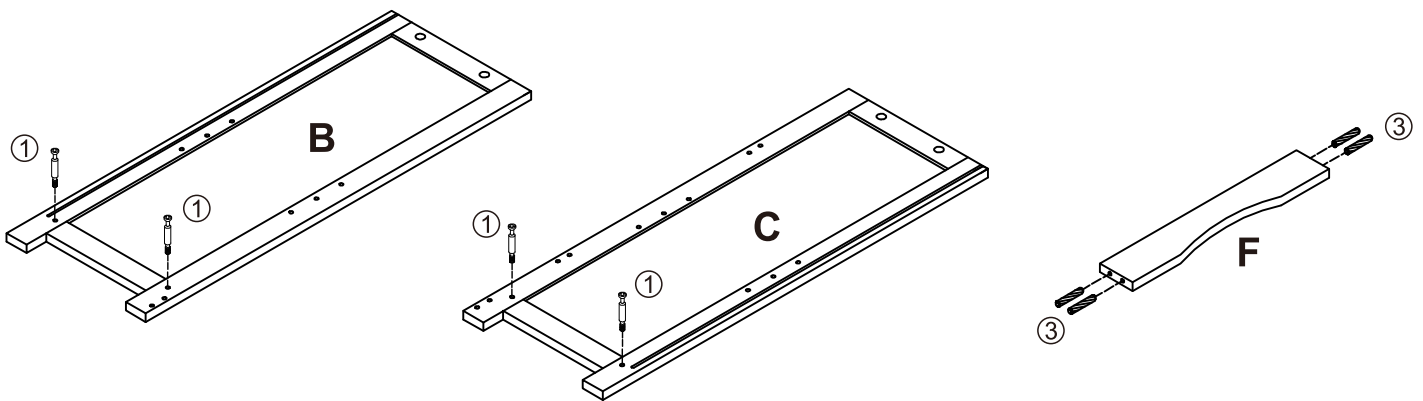
<p>① cam bolt</p>  <p>8PCS</p>	<p>② cam lock</p>  <p>8PCS</p>	<p>③ wooden dowel</p>  <p>4PCS</p>	<p>④ magnetic closure</p>  <p>1PC</p>
<p>⑤ screw</p>  <p>9PCS</p>	<p>⑥ magnetic plate</p>  <p>1PC</p>	<p>⑦ hinges</p>  <p>2PCS</p>	<p>⑧ screw</p>  <p>9PCS</p>
<p>⑨ back panel support</p>  <p>7PCS</p>	<p>⑩ knob</p>  <p>1PC</p>	<p>⑪ screw</p>  <p>1PC</p>	<p>⑫ shelf support</p>  <p>4PCS</p>
<p>⑬ anti-tipping accessories</p>  <p>1PC</p>			
<p>Phillips-Head screwdriver is not included.</p> 			

Assembly Instructions


Attention, In order to help with your assembly, do not tighten screws until you have assembled all other parts

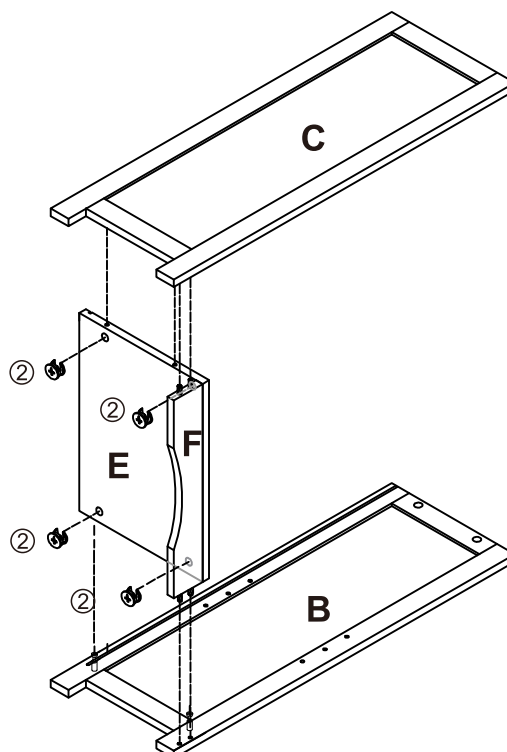
STEP 1

<p>① x4</p> 	<p>③ x4</p> 	<p>1. Attach cam bolt #1 to each side board 2. Attach wooden dowel #3 to the front cross bar</p>
---	---	--

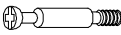
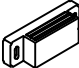



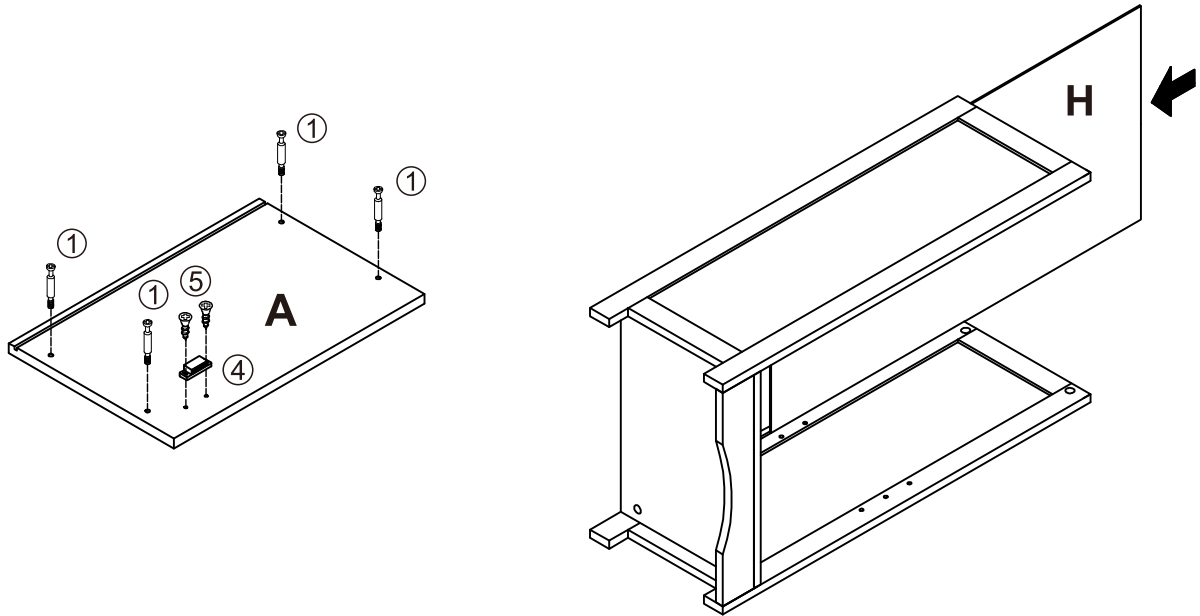
STEP 2

<p>② x4</p> 	<p>1. Connect the front cross bar to both side boards with #3 wooden dowels 2. Insert #2 cam locks into bottom board to align with #1 cam bolts 3. Rotate clockwise to secure cam bolts in place</p>
---	--




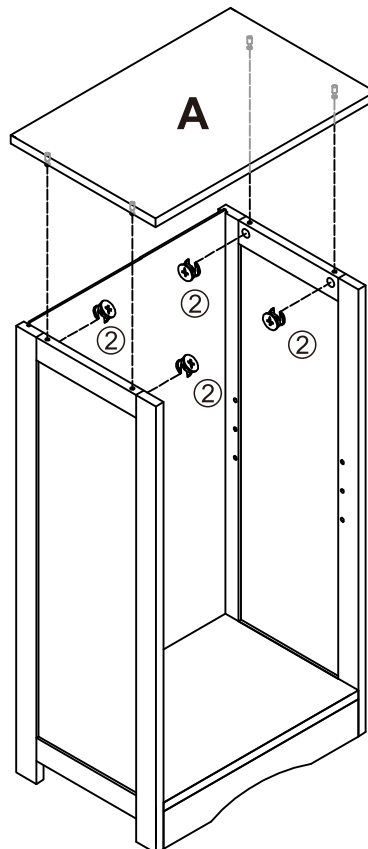
STEP 3

<p>①x4</p> 	<p>④x1</p> 	<p>⑤x2</p> 	<p>1. Insert back panel into grooves on the side panels 2. Attach the #1 cam bolt into top board 3. Attach the magnetic closure using #5 screws</p>
--	--	--	---

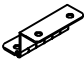






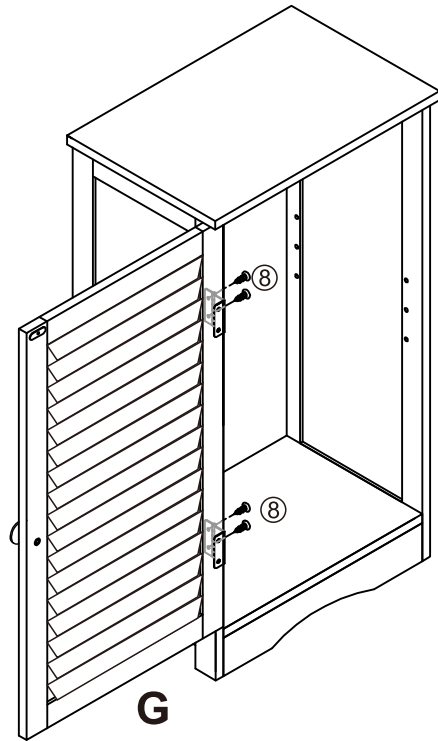
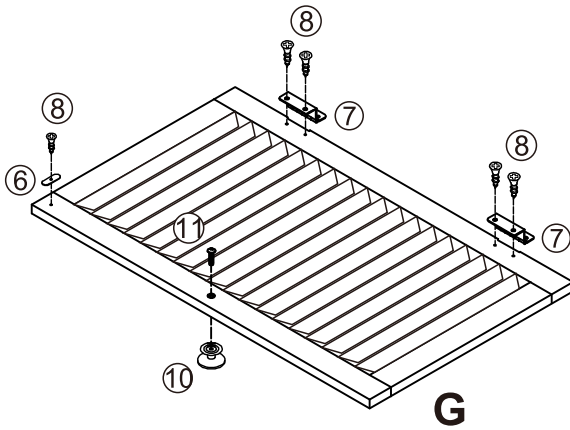
STEP 4

<p>②x4</p> 	<p>1. Attach top board by inserting #1 cam bolts into holes on the side panels 2. Insert #2 cam locks into cam lock holes on right and left panel and rotate clockwise to secure cam bolts in place</p>
--	---




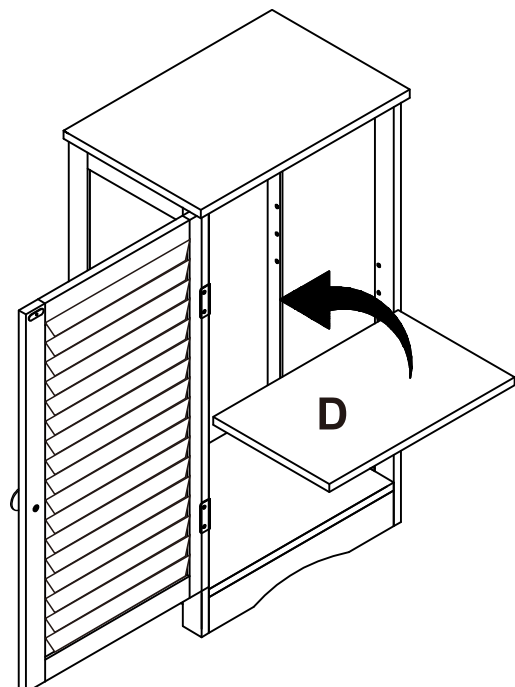
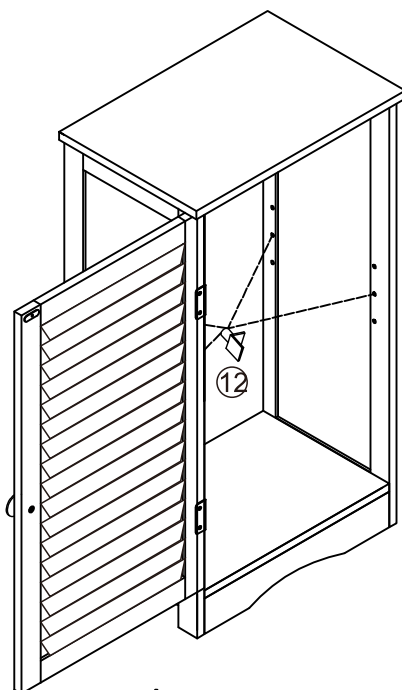
STEP 5

⑦x2 	⑧x9 	⑩x1 	⑪x1 	⑥x1 	1. Attach the front door hinges to the cabinet using #8 screws 2. Attach the magnetic plate to the front door using #8 screws 3. Attach the knob to the front door using #11 screw
--	--	--	--	--	--





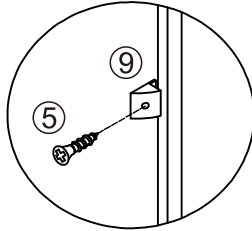
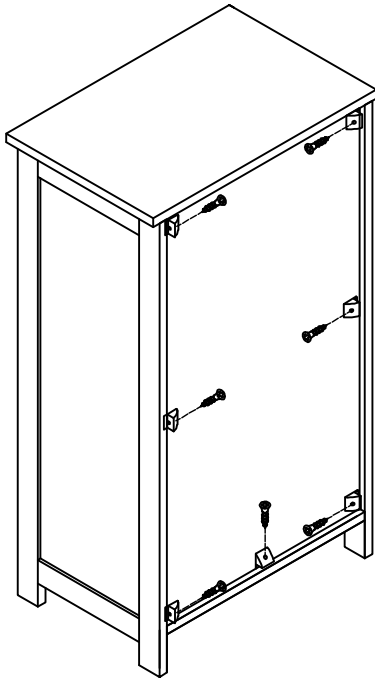
STEP 6

⑫x4 	1. Insert #12 shelf supports into correct hole for desired height 2. Insert shelf
--	--




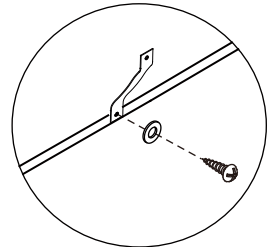
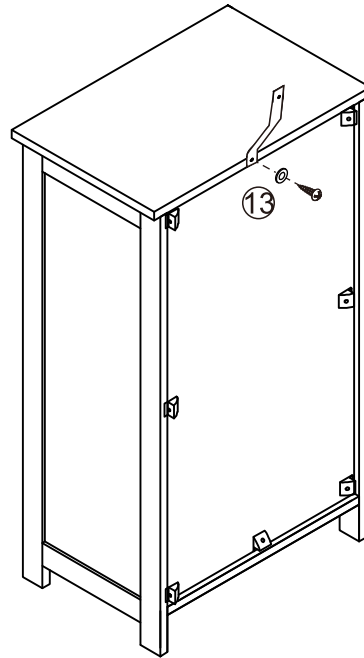
STEP 7

⑨ x7 	⑤ x7 	Insert #9 back panel supports, using #5 screws
---	---	--



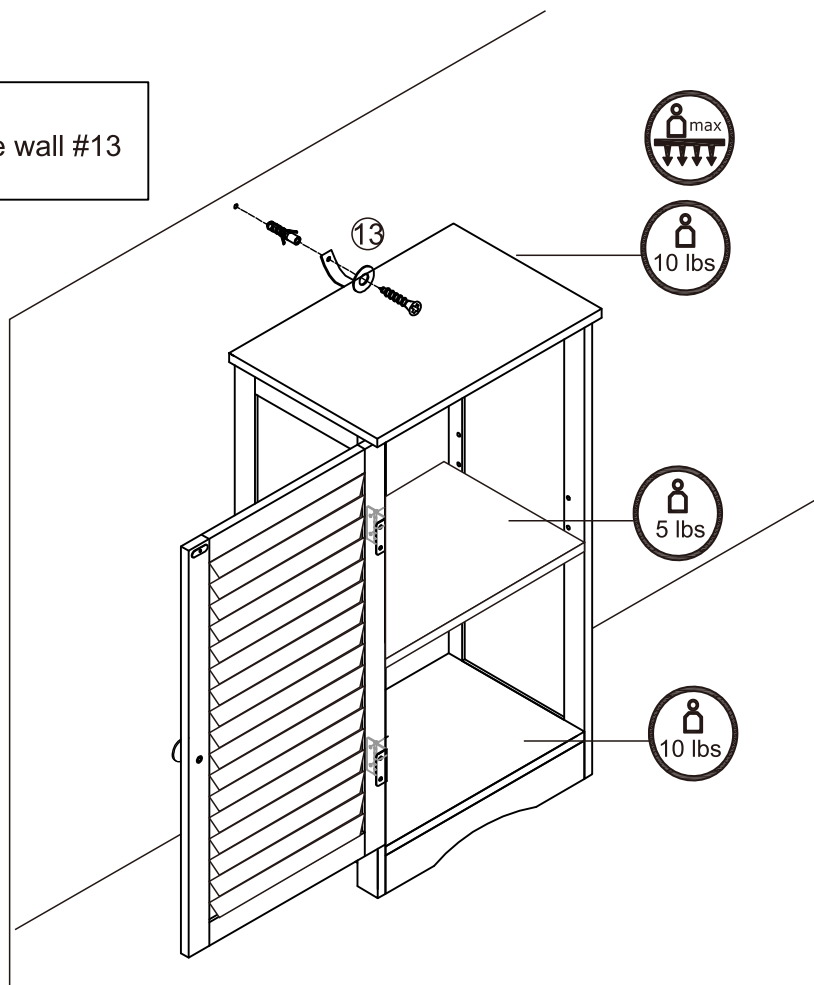
STEP 8

⑬ x1 	Attach the anti-tipping strap #13 on the back of the top board
---	--



STEP 9

Attach the other end of the belt to the wall #13



CLEANING, CARE AND NAINTENANCE

Regularly check all fastenings to ensure that they are properly tightened.

Clean with a wet soft cloth, then use a soft lint free cloth to dry.

Hot items should not be placed directly on the furniture surface.

Do not clean furniture with harsh cleaners or polish.

To protect the surface, use a pad when writing on top of the furniture.

For indoor residential use, do not place furniture outside.

Children should not climb on furniture.