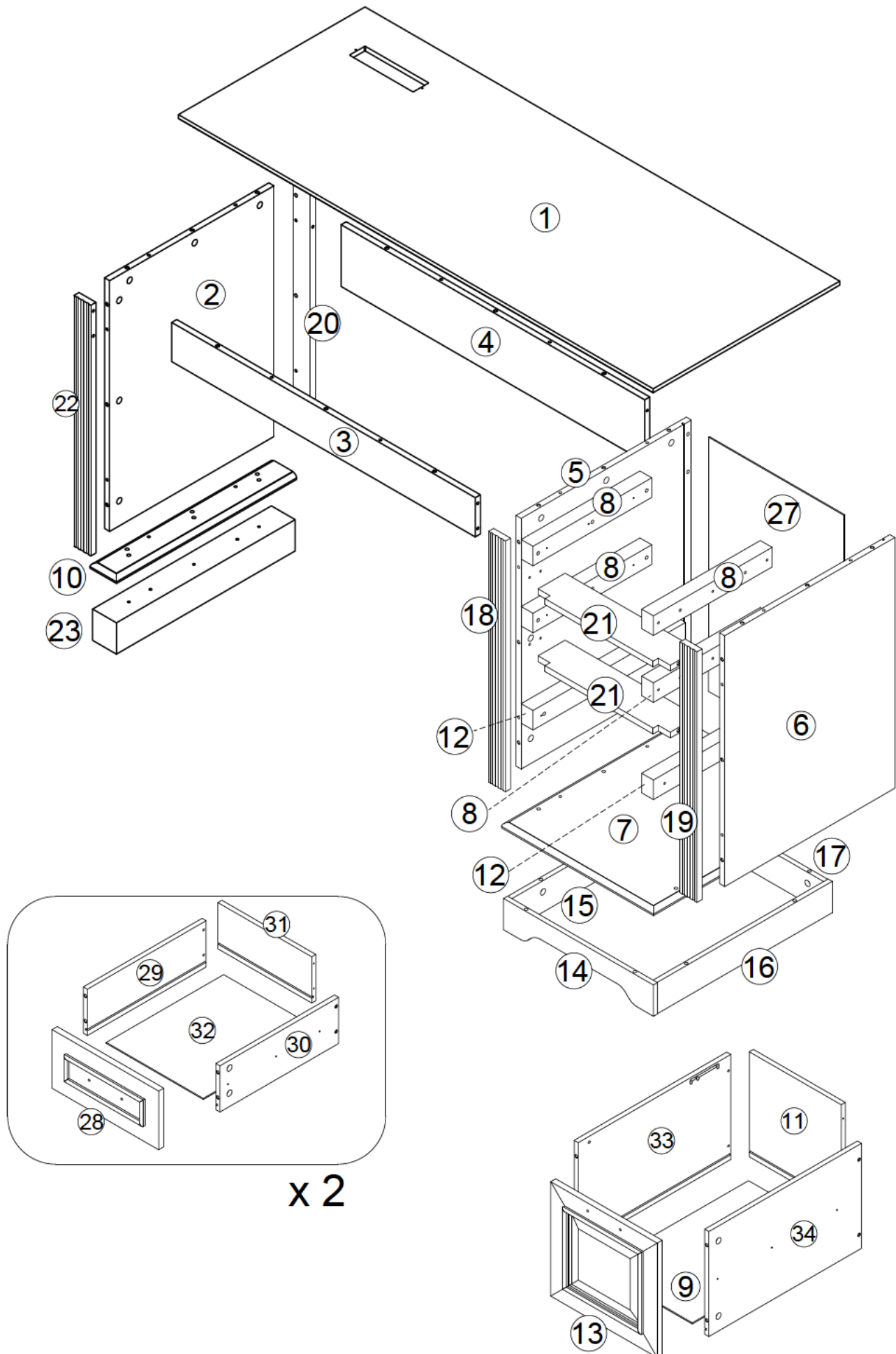


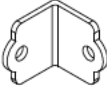






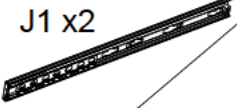


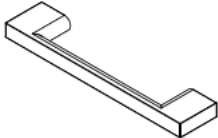

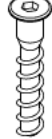
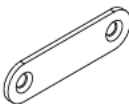
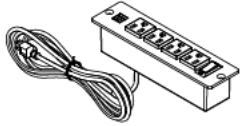





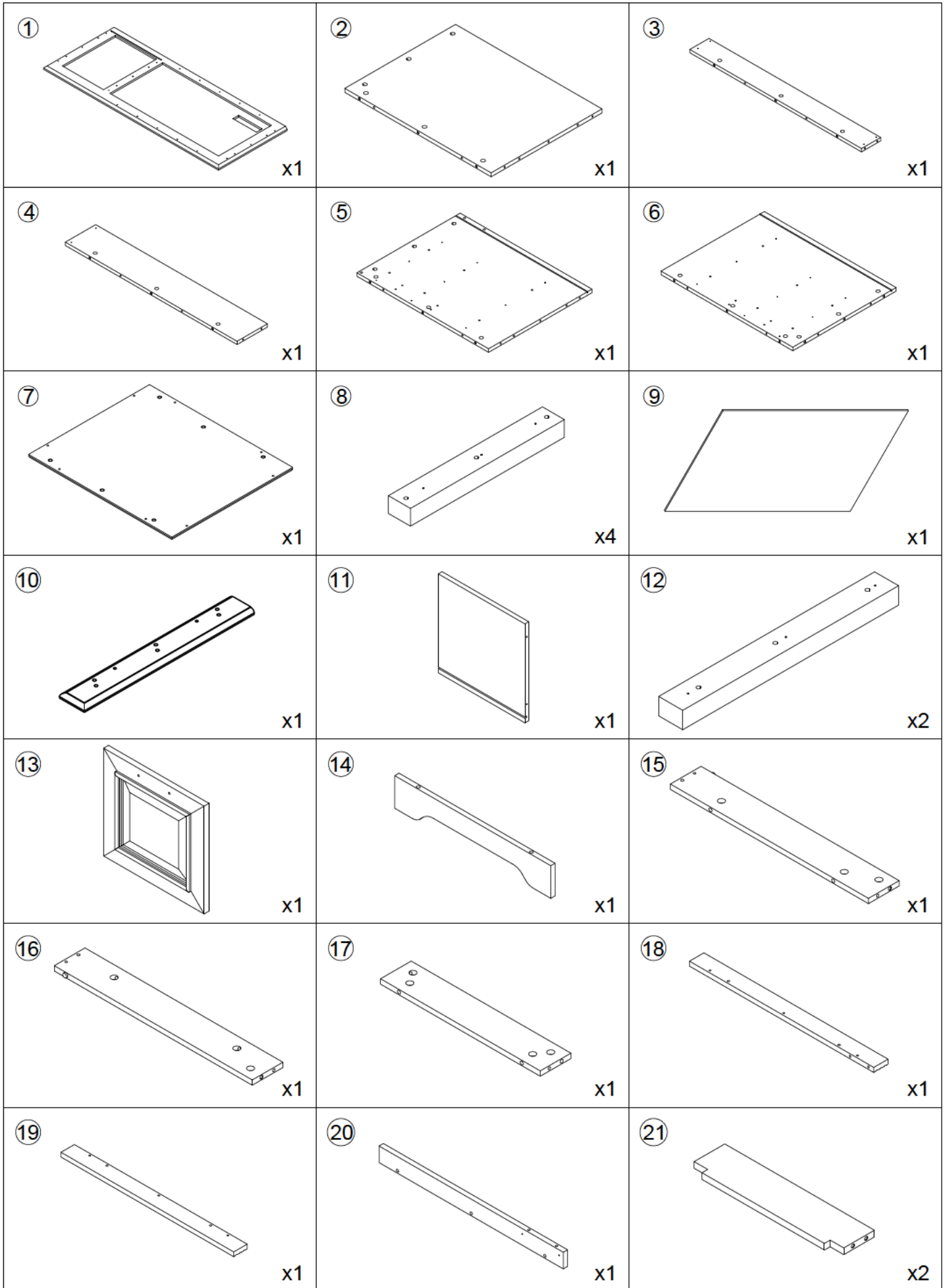
ASSEMBLY INSTRUCTIONS



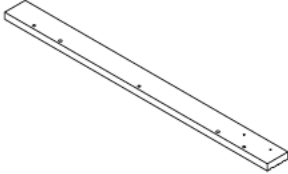
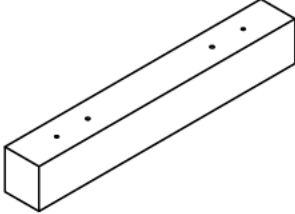

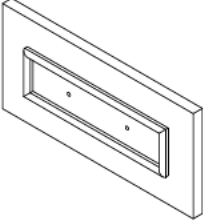
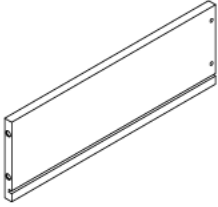
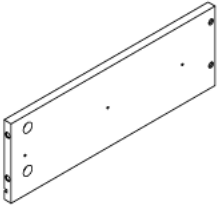
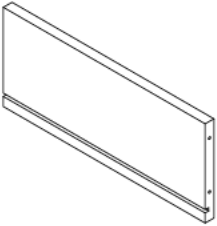
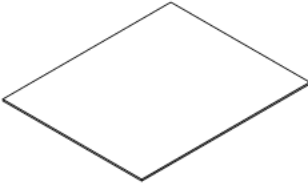

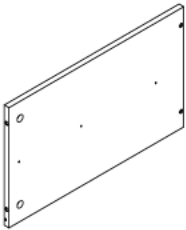
ASSEMBLY INSTRUCTIONS

<p>A x48+2</p>  <p>Ø6x30mm</p>	<p>B x56+4</p>  <p>Ø6x35mm</p>	<p>C x2</p> 	<p>D x1</p> 	<p>E x56+4</p>  <p>Ø15x10mm</p>
<p>F x30+2</p>  <p>Ø8xØ4x35mm</p>	<p>G1 x4</p>  <p>G2 x4</p> 	<p>H x50+2</p>  <p>Ø7xØ3.5x12mm</p>	<p>J1 x2</p>  <p>J2 x2</p> 	<p>K x2</p> 
<p>L x3</p> 	<p>M x6+1</p>  <p>M4x20mm</p>	<p>N x17+1</p>  <p>Ø7x38mm</p>	<p>O x4</p> 	<p>P x1</p> 
<p>Q x4+1</p>  <p>Ø6xØ3x16mm</p>	<p>R x4+1</p> 	<p>S x10+2</p> 		

ASSEMBLY INSTRUCTIONS

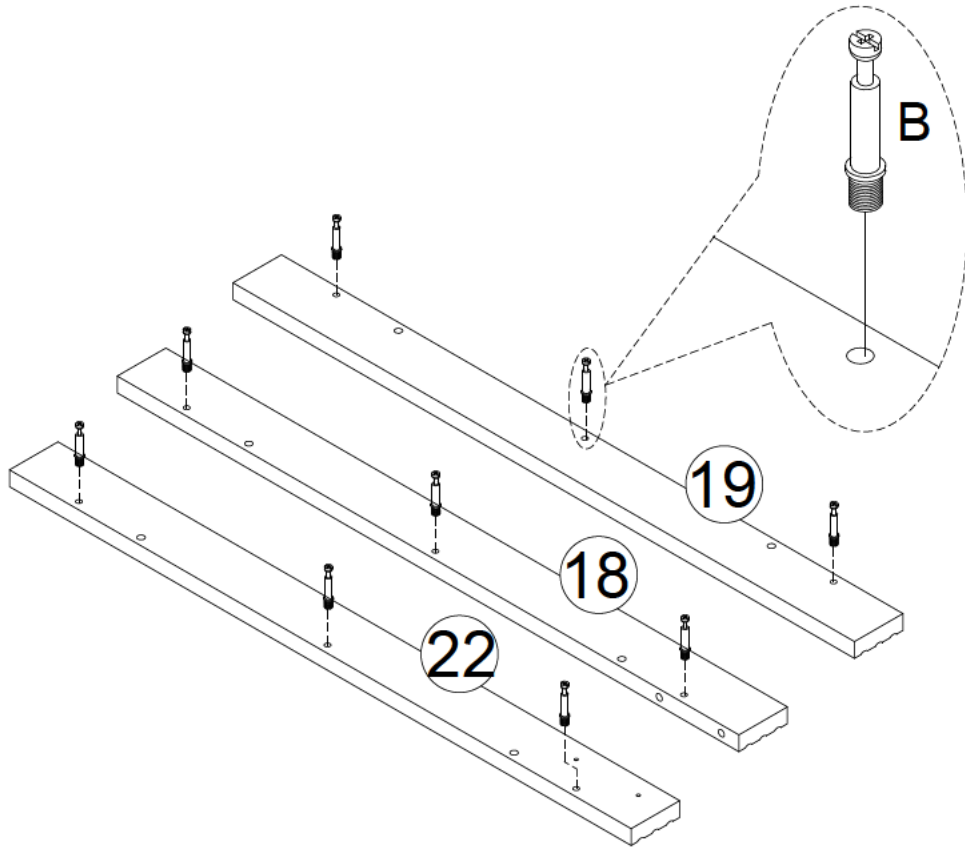



ASSEMBLY INSTRUCTIONS

<p>22</p>  <p>x1</p>	<p>23</p>  <p>x1</p>	<p>27</p>  <p>x1</p>
<p>28</p>  <p>x2</p>	<p>29</p>  <p>x2</p>	<p>30</p>  <p>x2</p>
<p>31</p>  <p>x2</p>	<p>32</p>  <p>x2</p>	<p>33</p>  <p>x1</p>
<p>34</p>  <p>x1</p>		

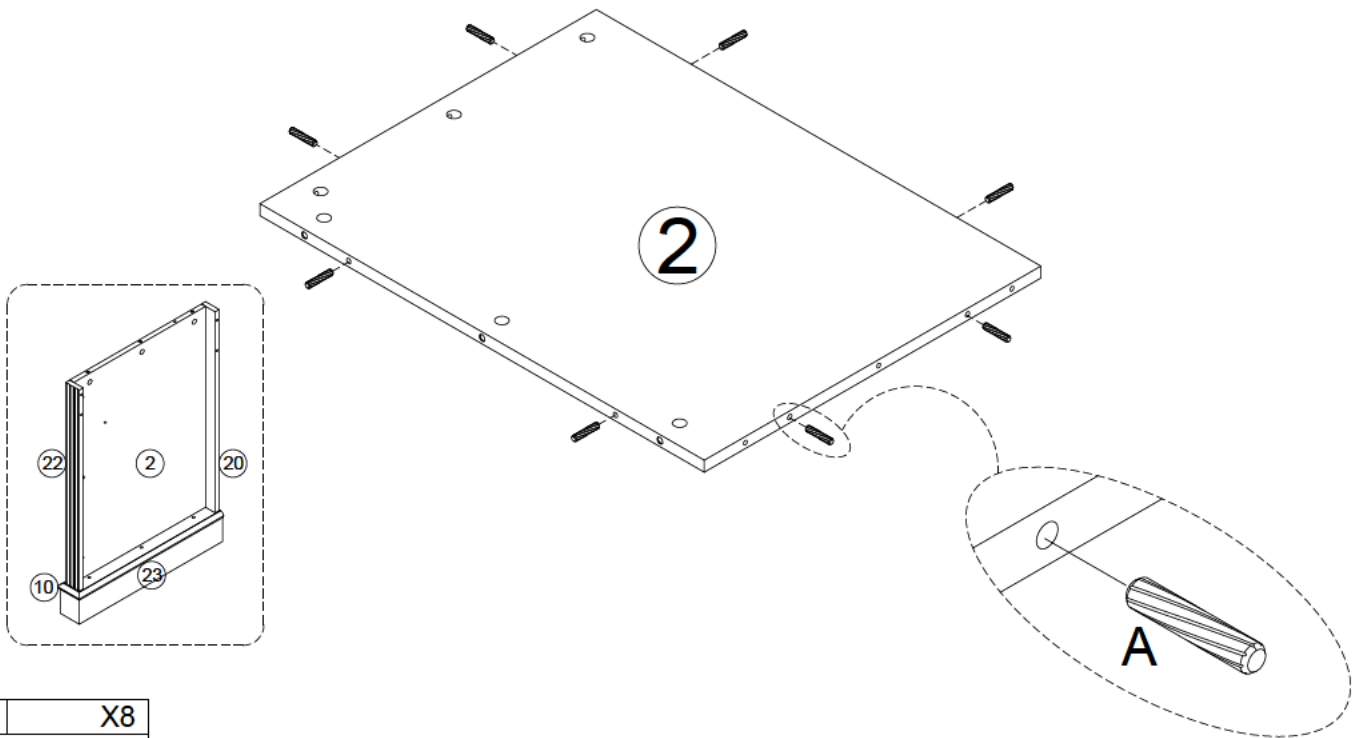
INSTALLATION INSTRUCTION


STEP 1



B	X9
	
Ø6x35mm	

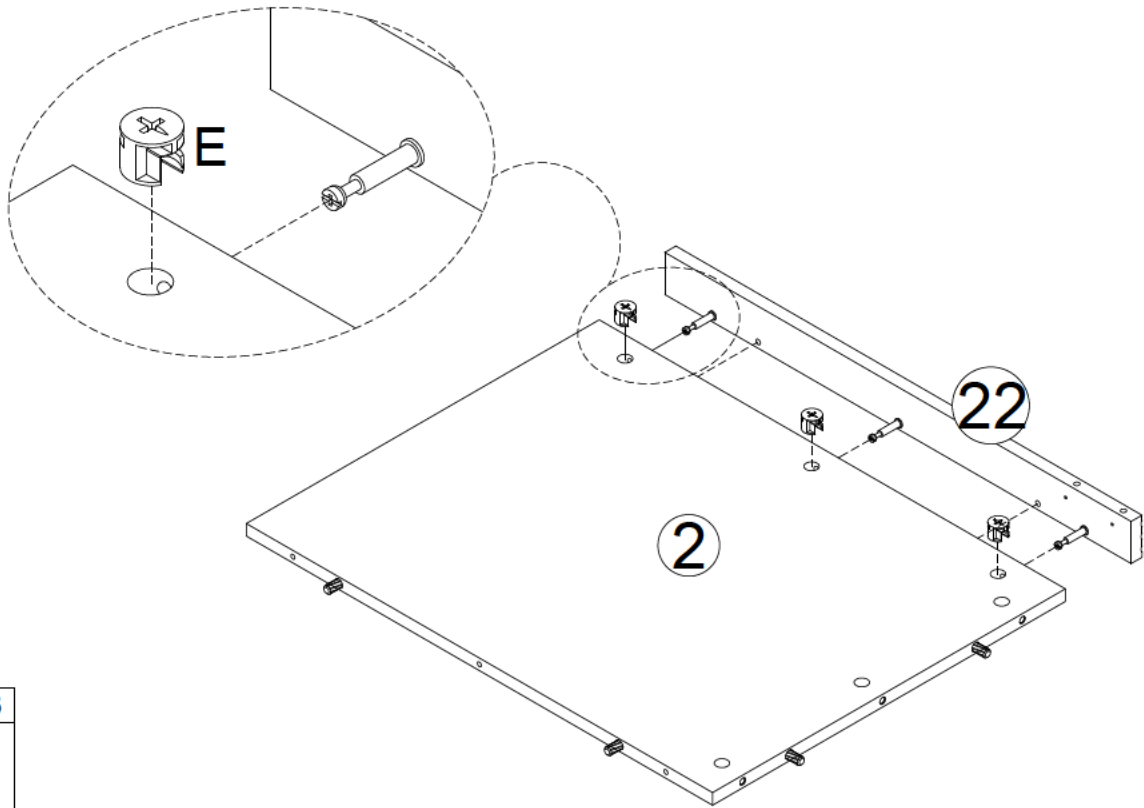
STEP 2




A	X8
	
Ø6x30mm	

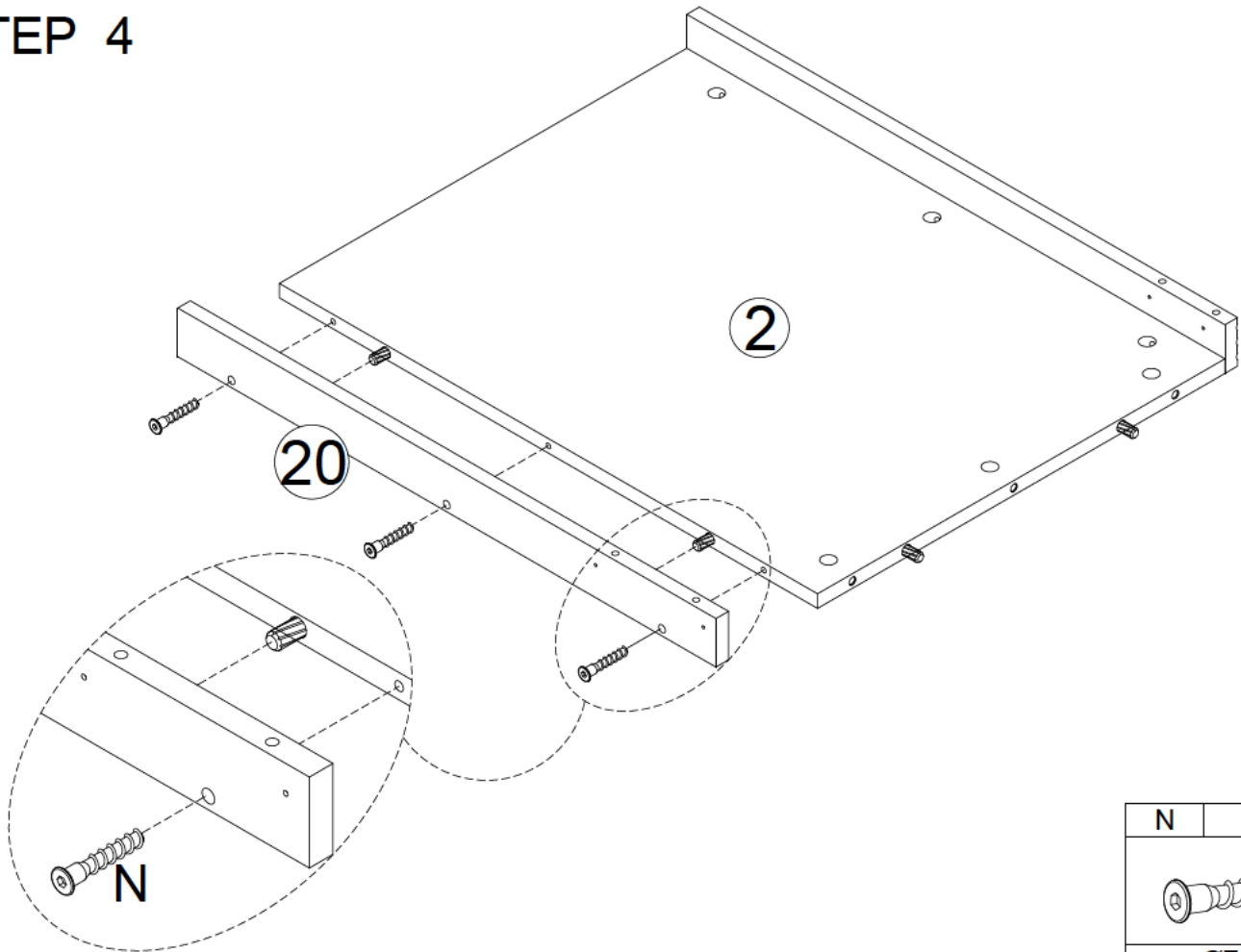
INSTALLATION INSTRUCTION


STEP 3



E	X3
	
Ø15x10mm	

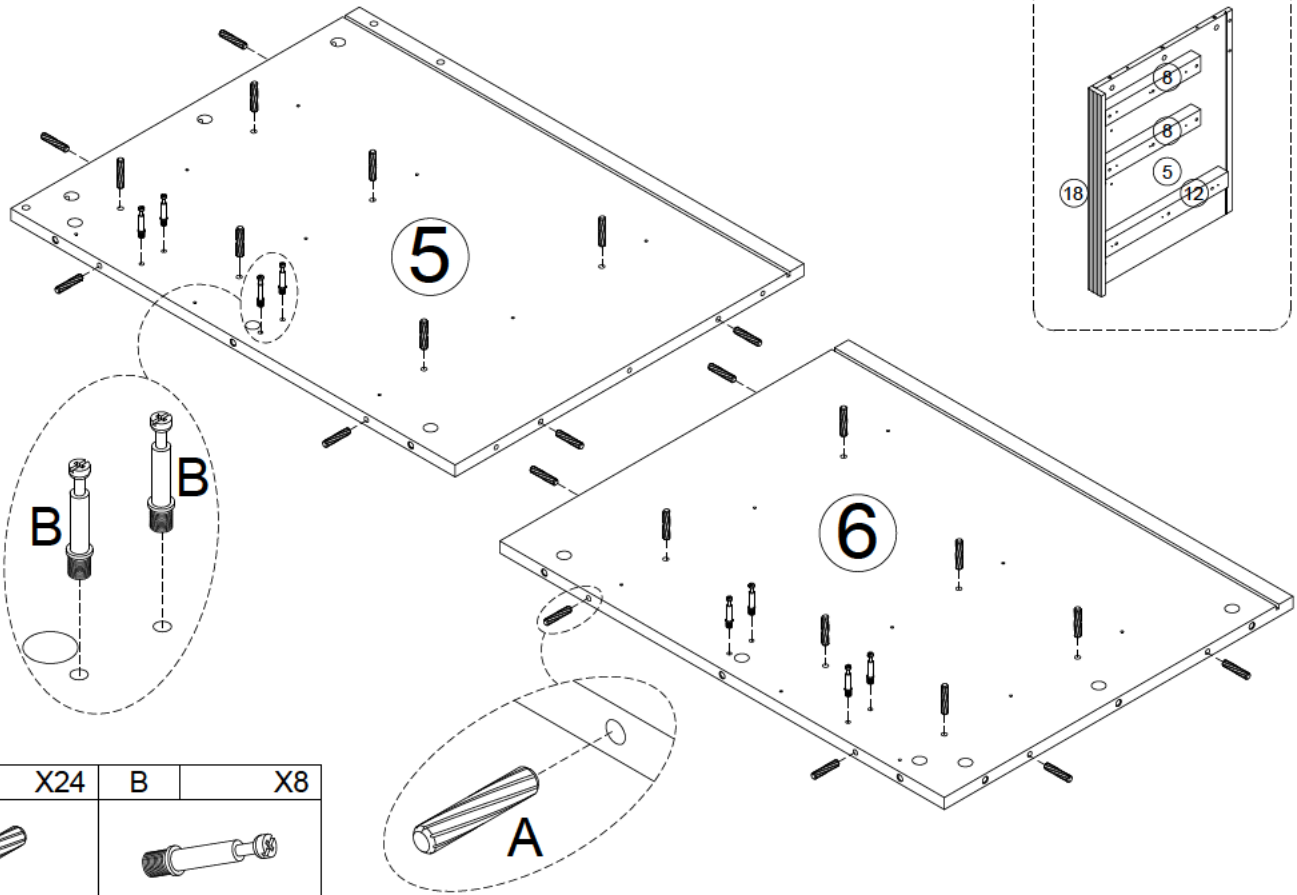
STEP 4


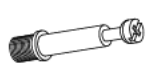


N	X3
	
Ø7x38mm	

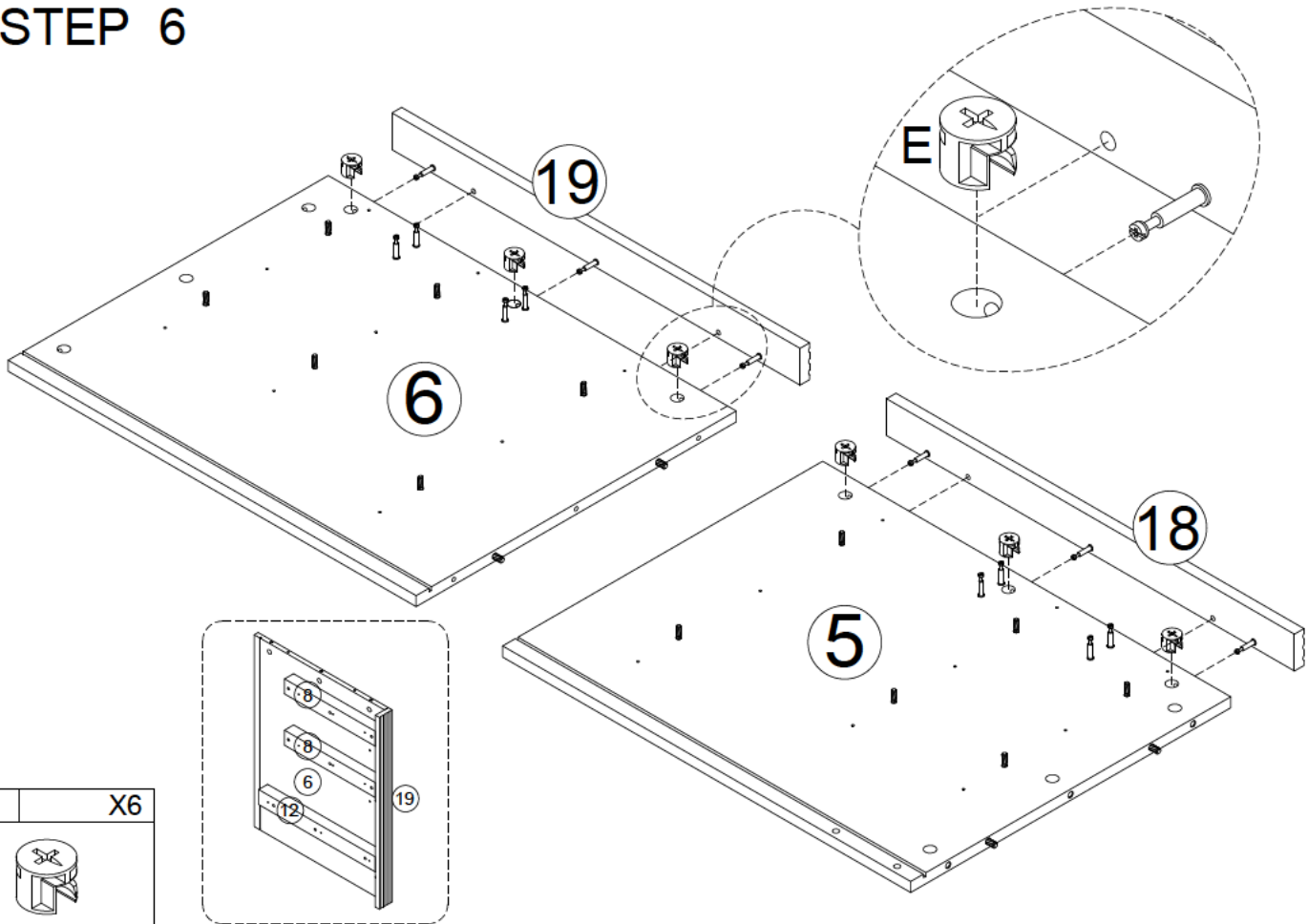
INSTALLATION INSTRUCTION


STEP 5



A	X24	B	X8
			
Ø6x30mm		Ø6x35mm	

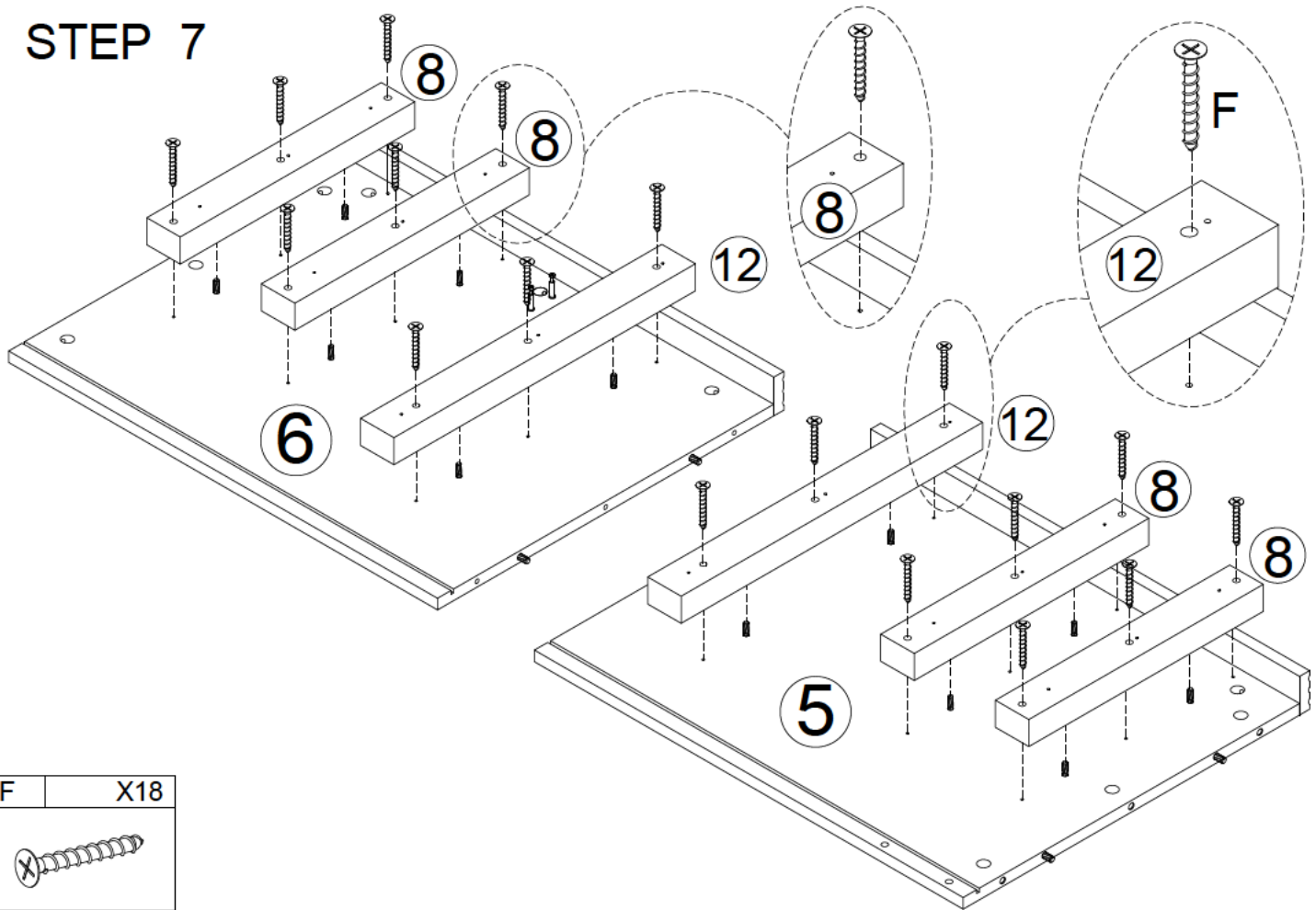
STEP 6



E	X6
	
Ø15x10mm	

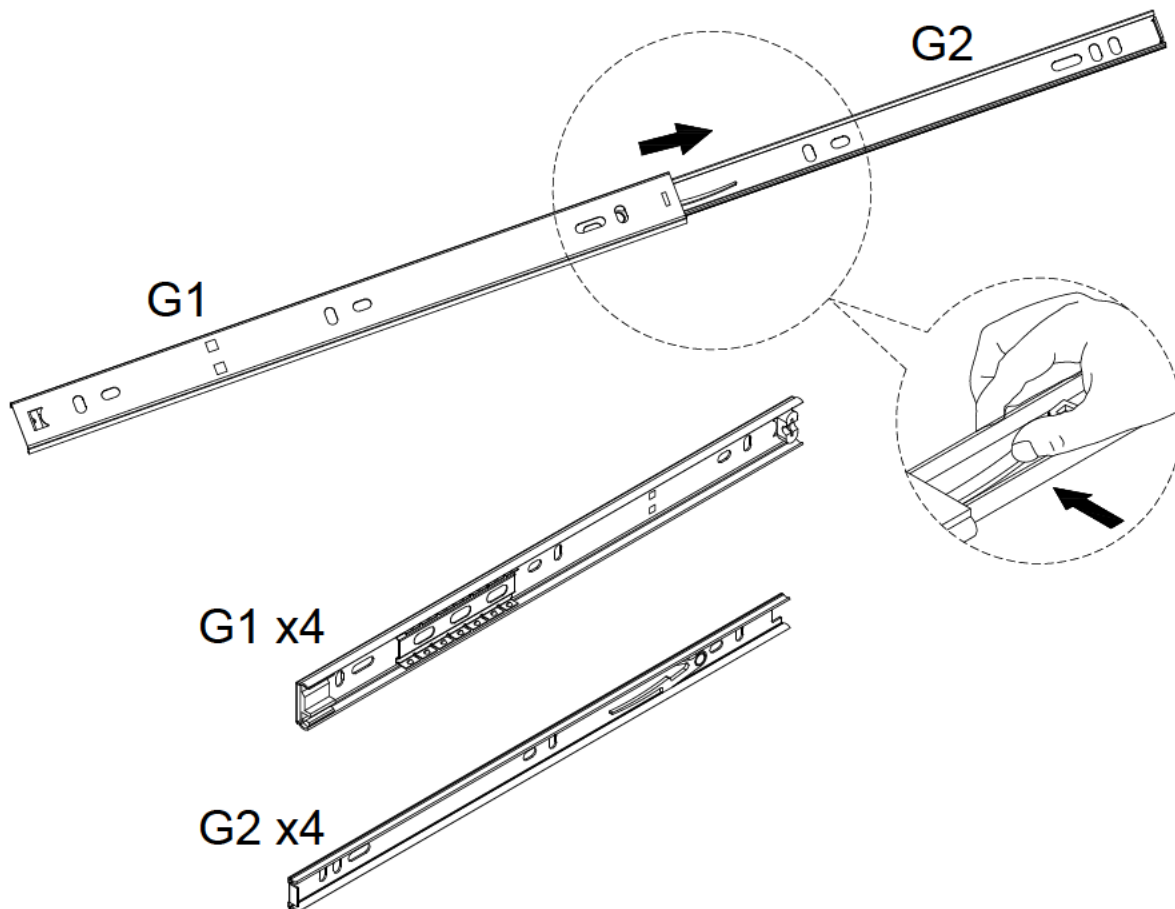
INSTALLATION INSTRUCTION

STEP 7



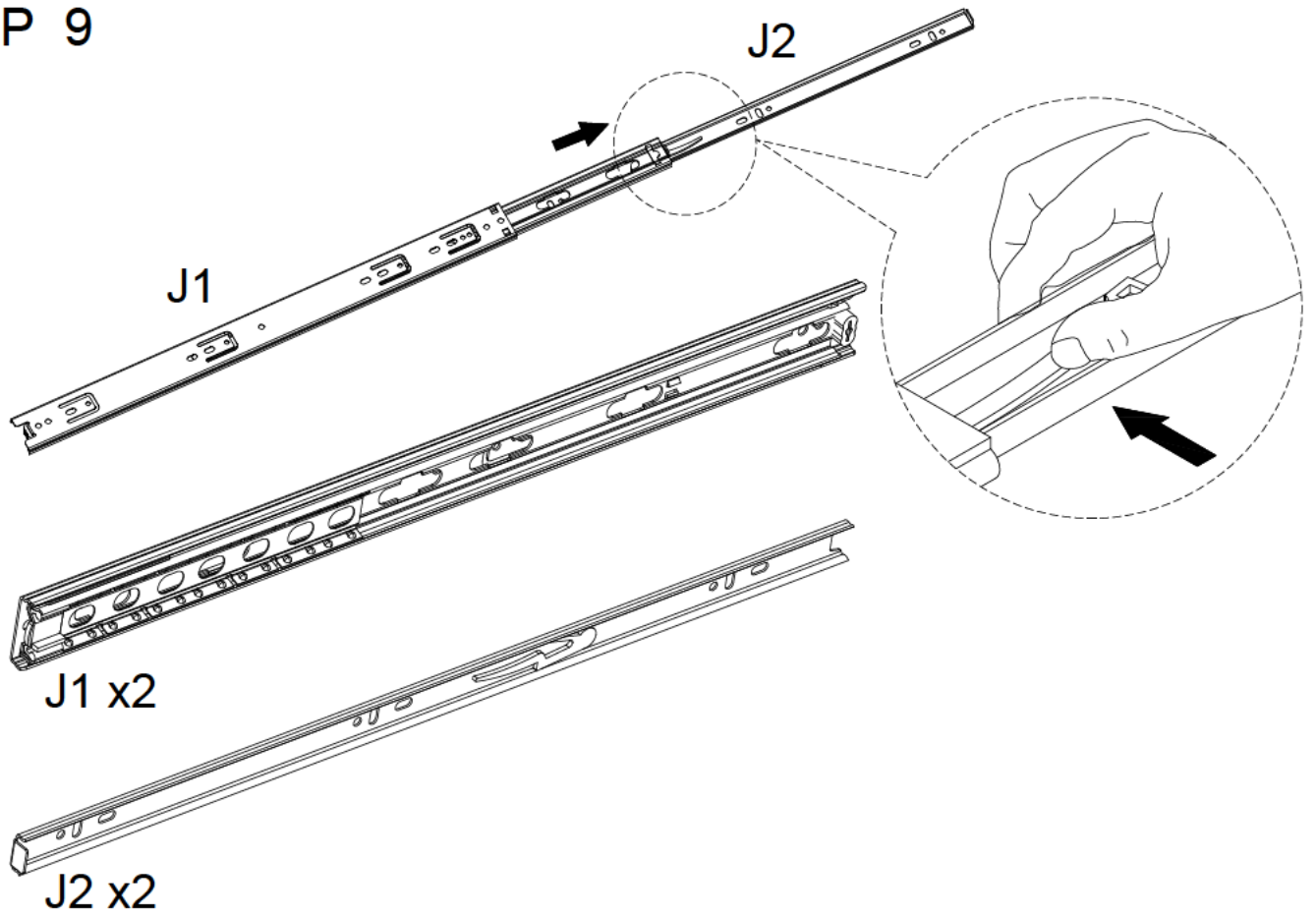
F	X18
Ø8xØ4x35mm	

STEP 8

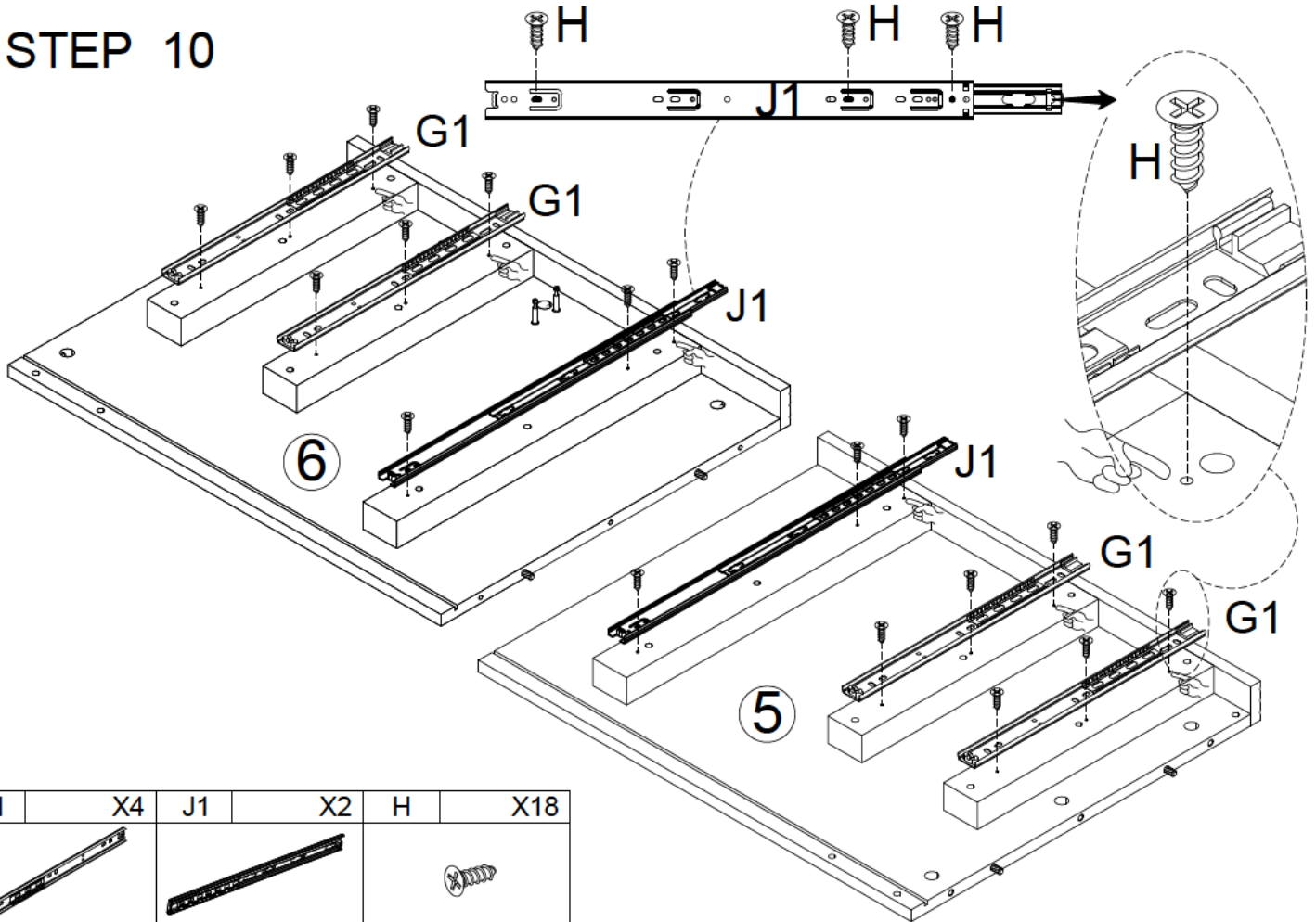





INSTALLATION INSTRUCTION

STEP 9



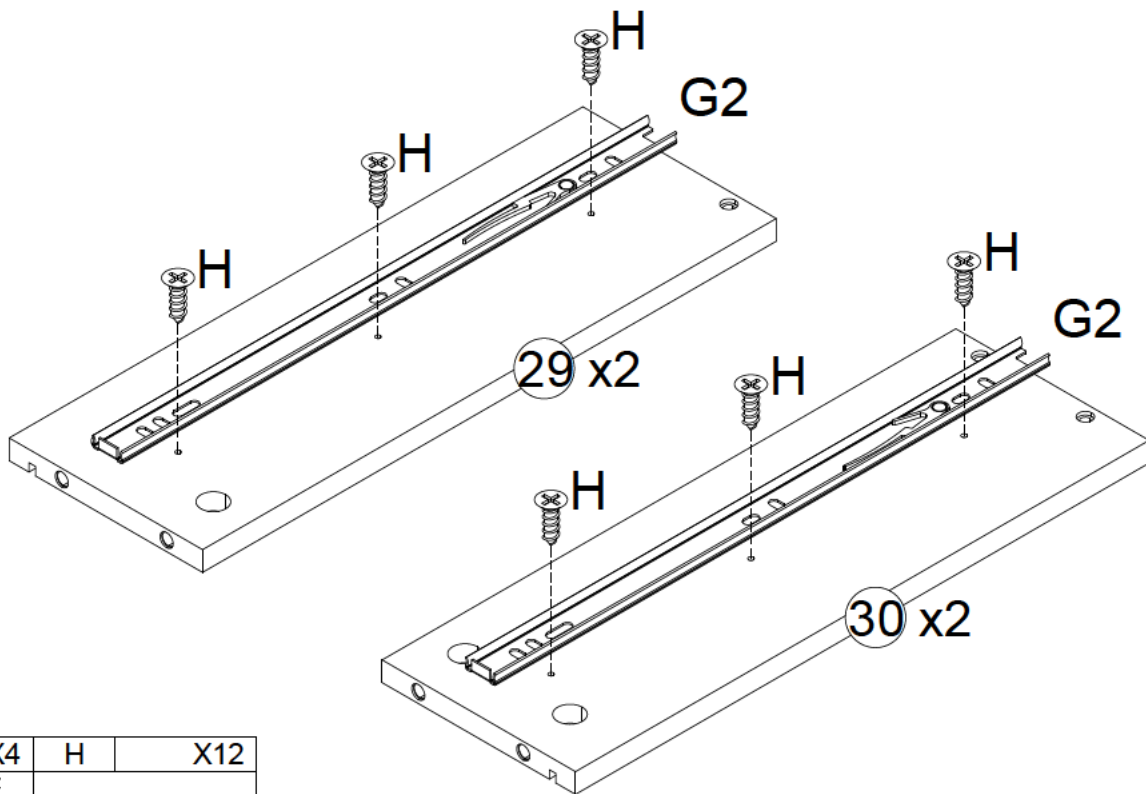
STEP 10





G1	X4	J1	X2	H	X18
					
				Ø7xØ3.5x12mm	

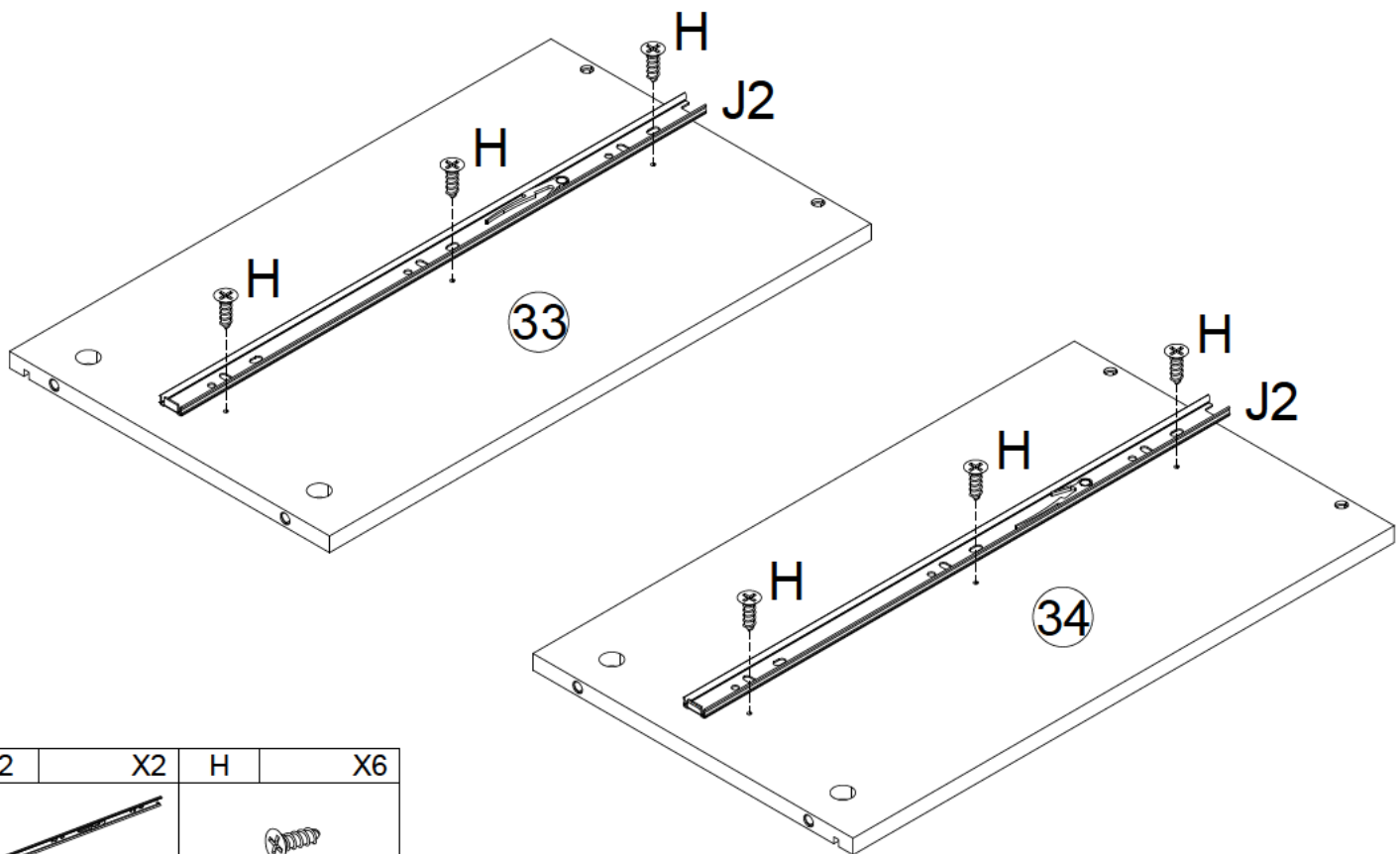
INSTALLATION INSTRUCTION



STEP 11



G2	X4	H	X12
			
Ø7xØ3.5x12mm			

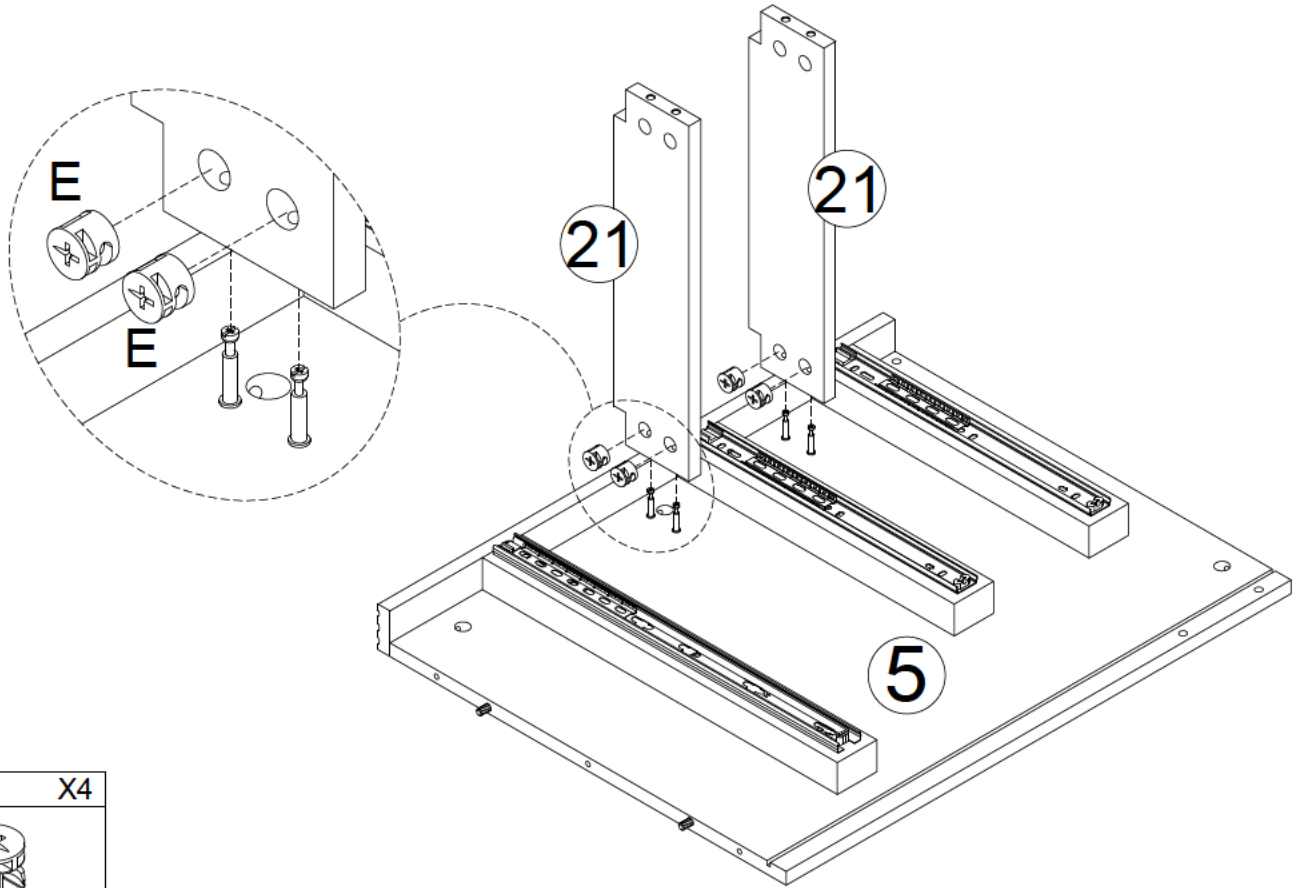
STEP 12



J2	X2	H	X6
			
Ø7xØ3.5x12mm			

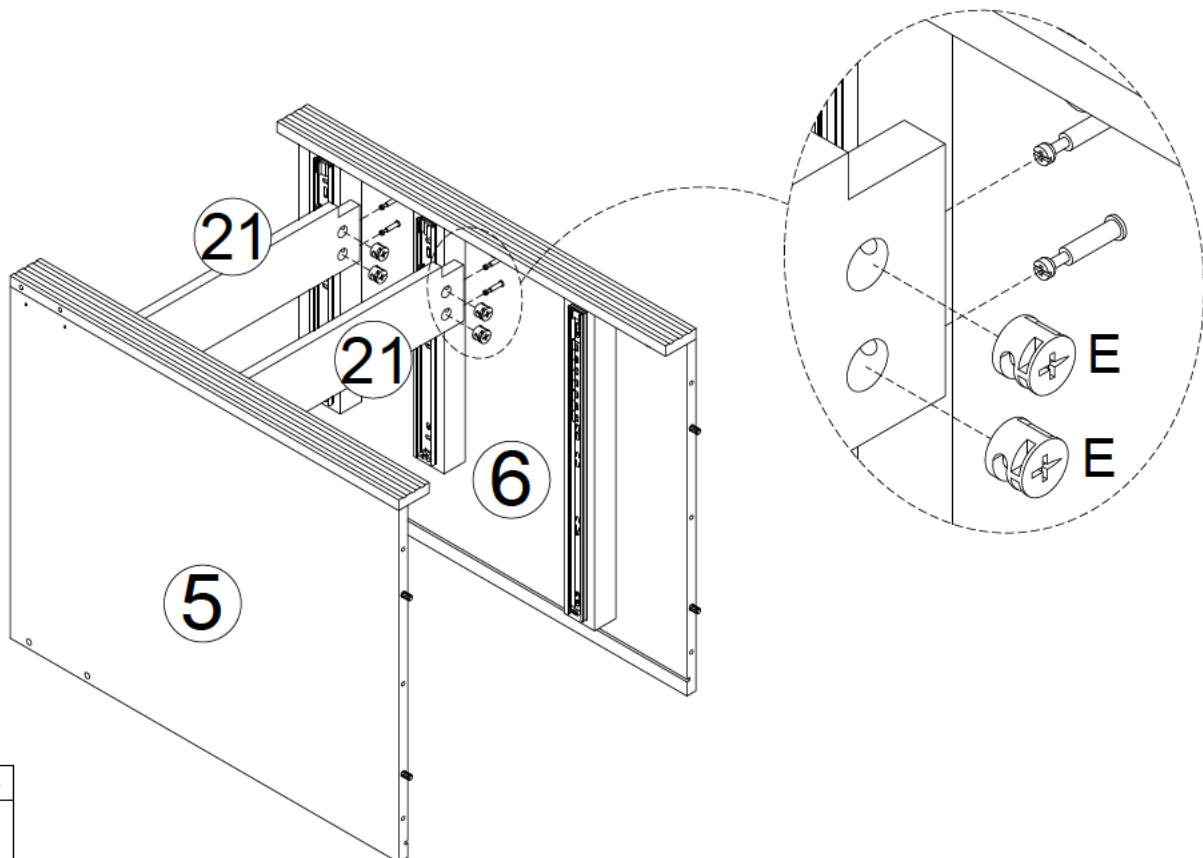
INSTALLATION INSTRUCTION

STEP 13



E	X4
Ø15x10mm	

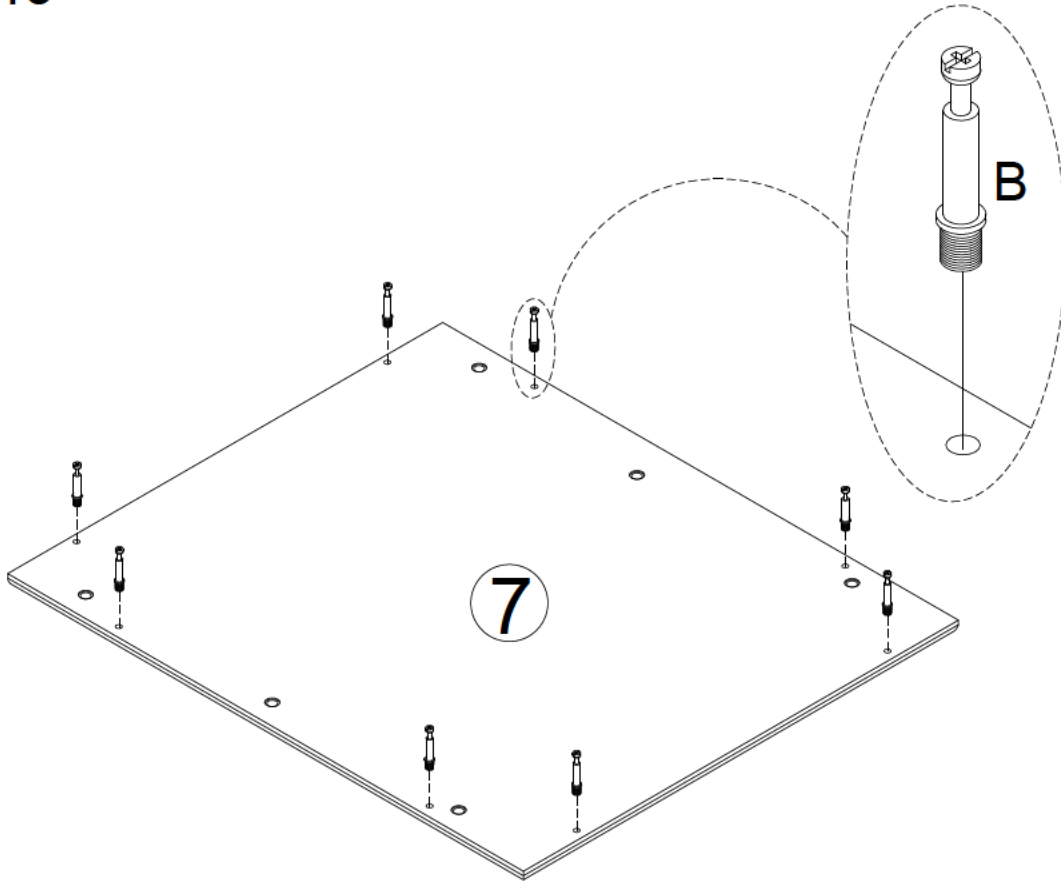
STEP 14




E	X4
Ø15x10mm	

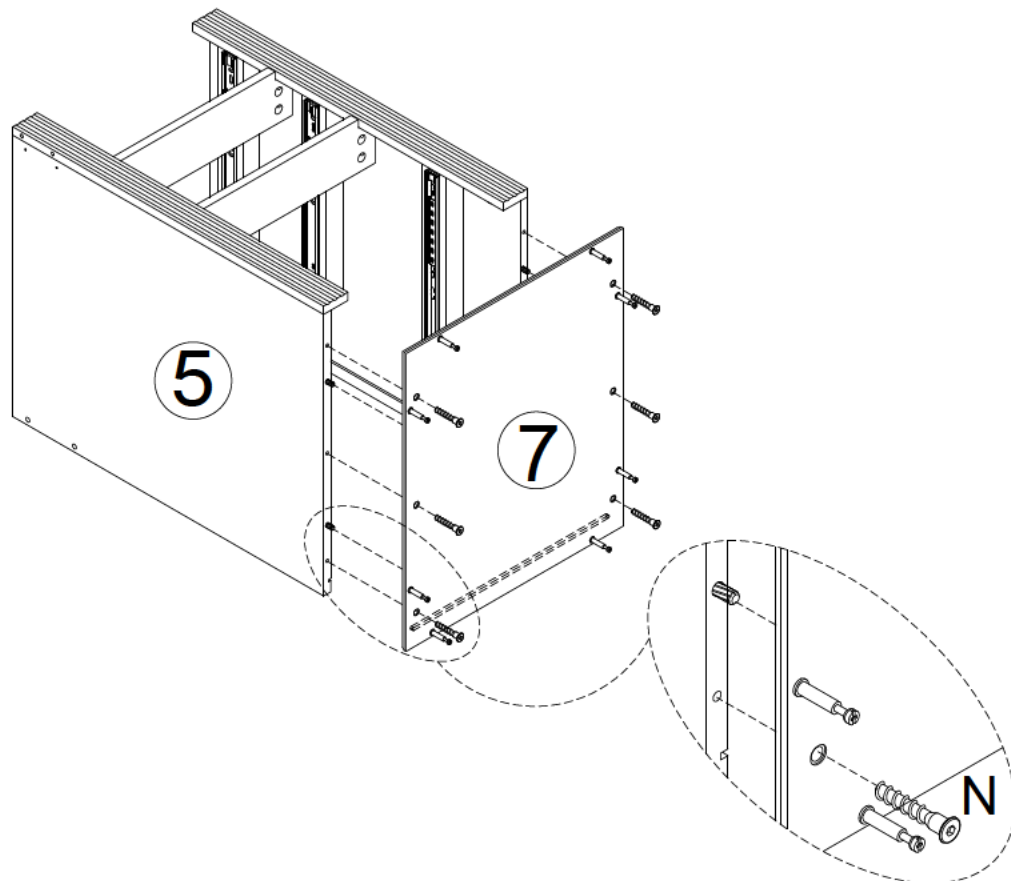
INSTALLATION INSTRUCTION


STEP 15



B	X8
	
Ø6x35mm	

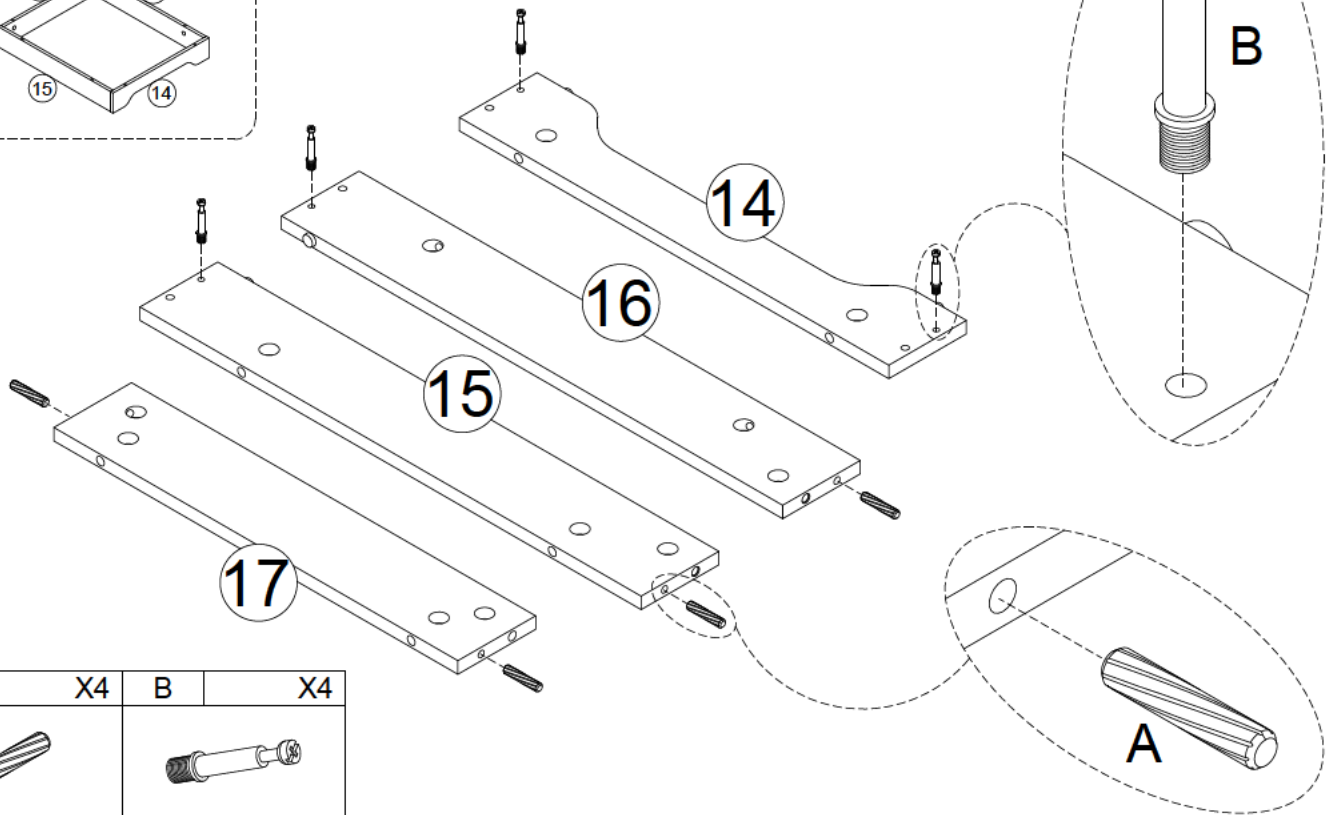
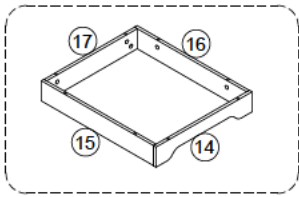
STEP 16





N	X6
	
Ø7x38mm	

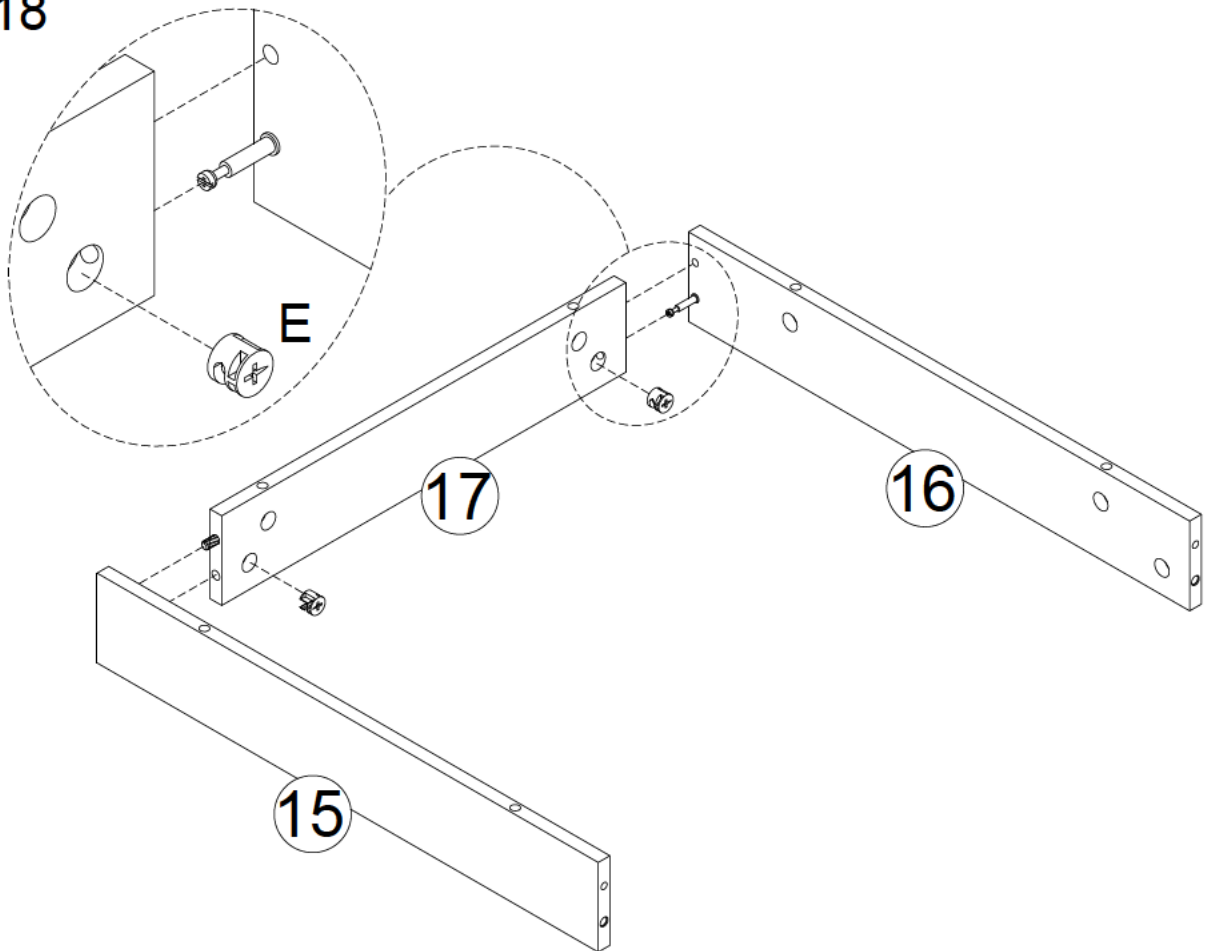
INSTALLATION INSTRUCTION


STEP 17



A	X4	B	X4
			
Ø6x30mm		Ø6x35mm	

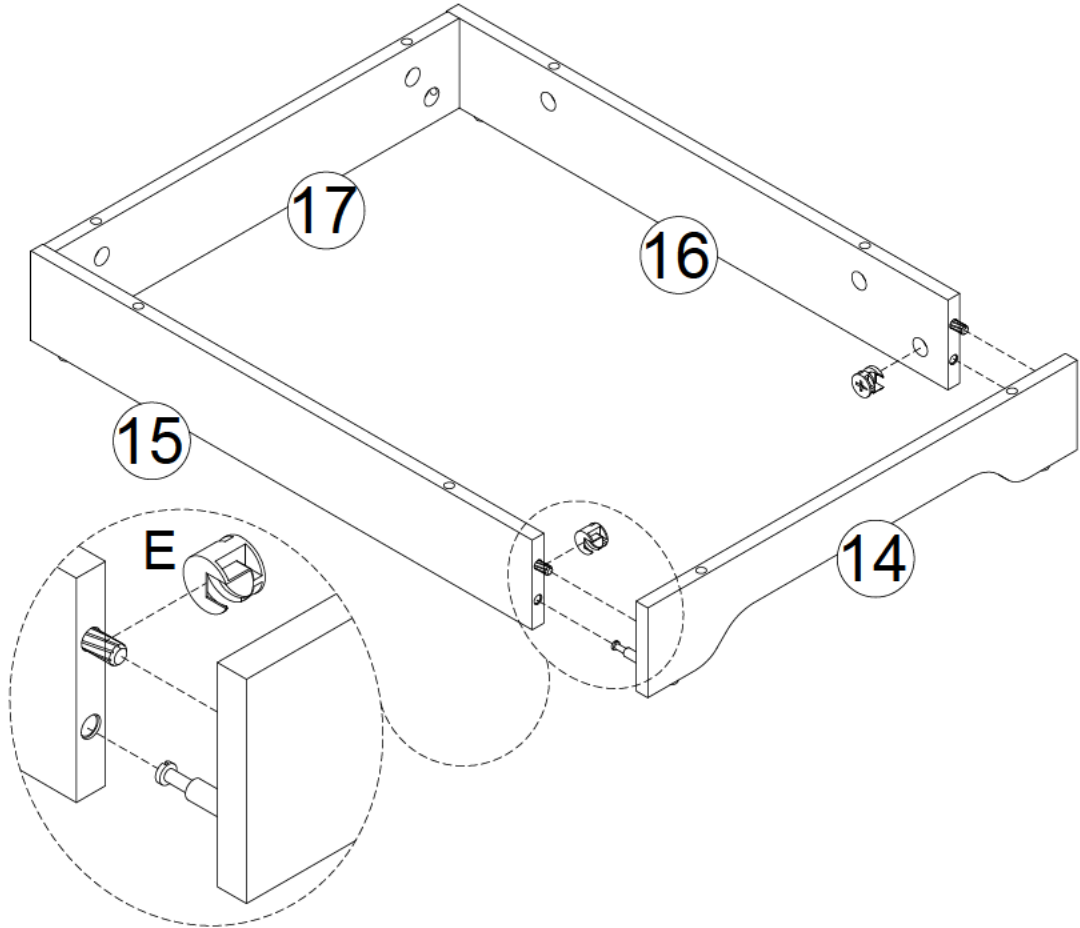
STEP 18



E	X2
	
Ø15x10mm	

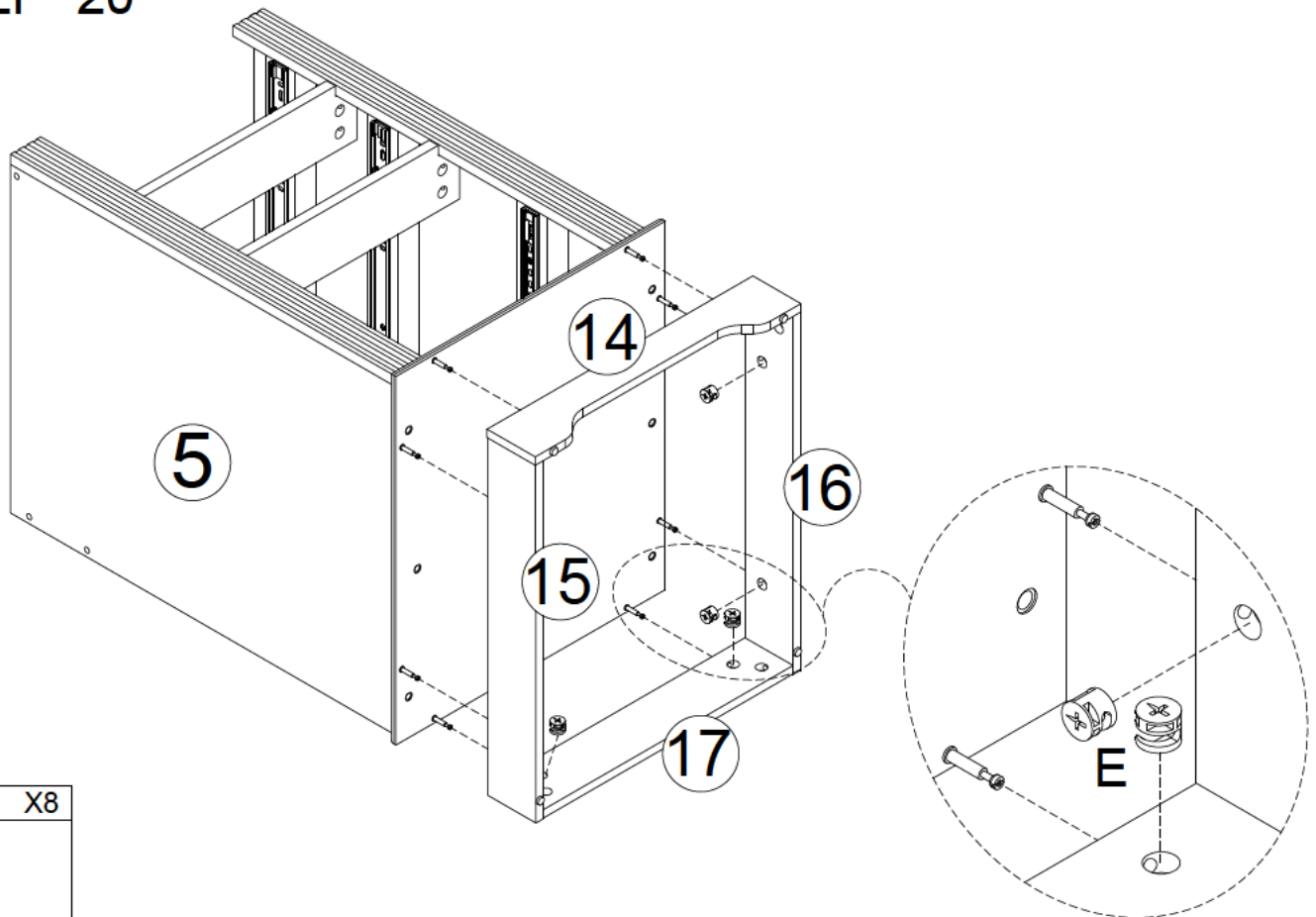
INSTALLATION INSTRUCTION

STEP 19



E	X2
Ø15x10mm	

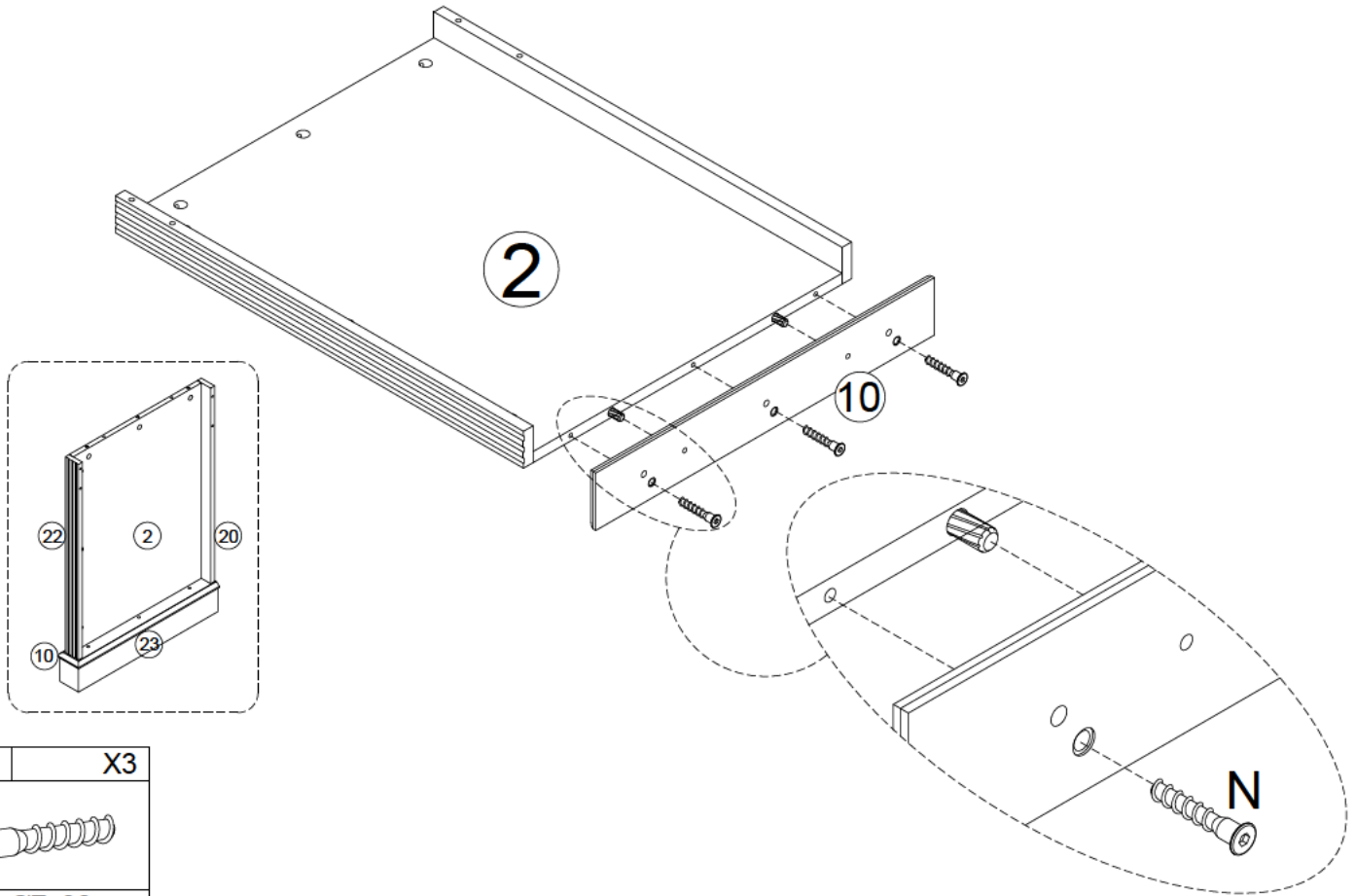
STEP 20




E	X8
Ø15x10mm	

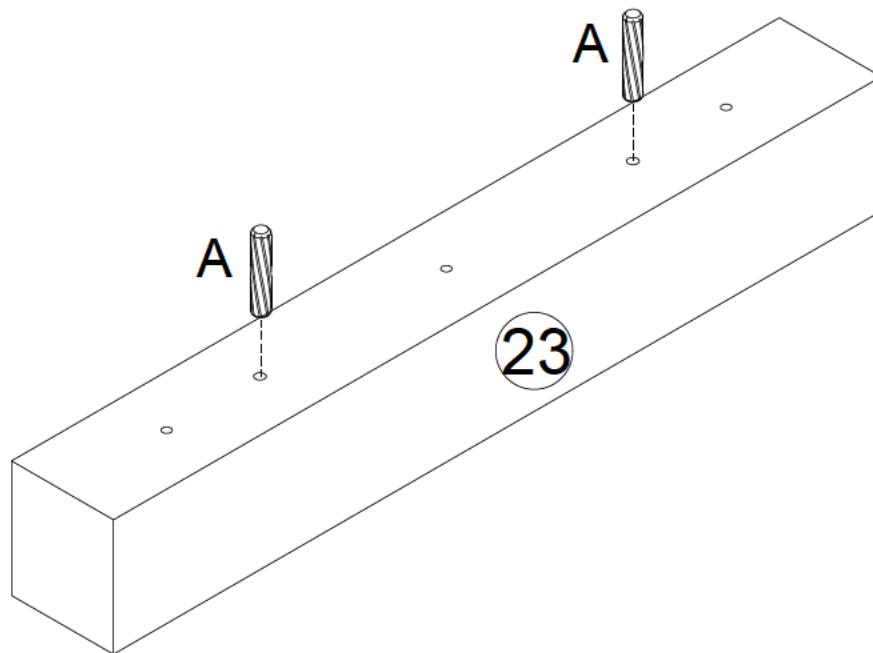
INSTALLATION INSTRUCTION


STEP 21



N	X3
	
Ø7x38mm	

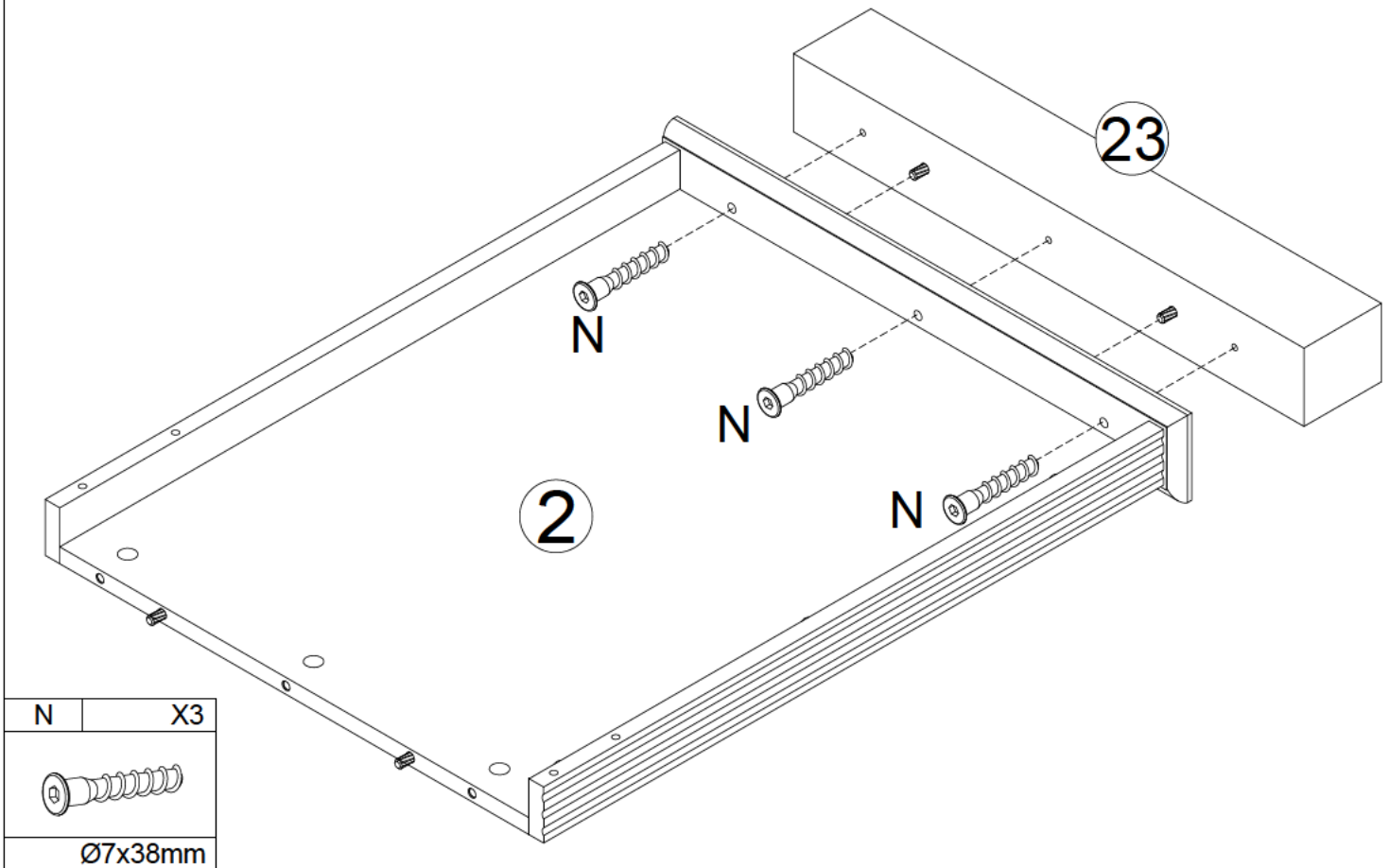
STEP 22



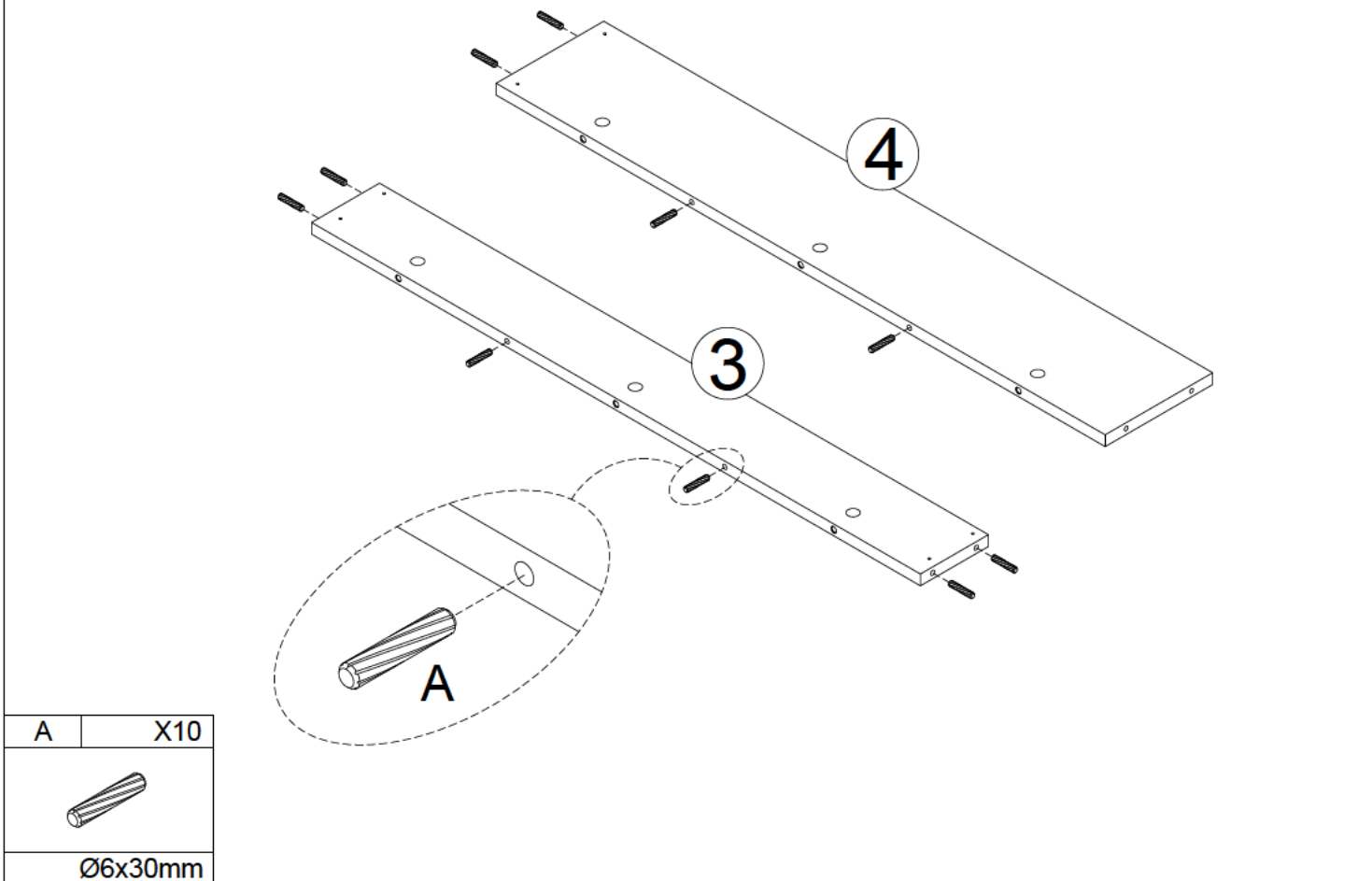
A	X2
	
Ø6x30mm	

INSTALLATION INSTRUCTION

STEP 23

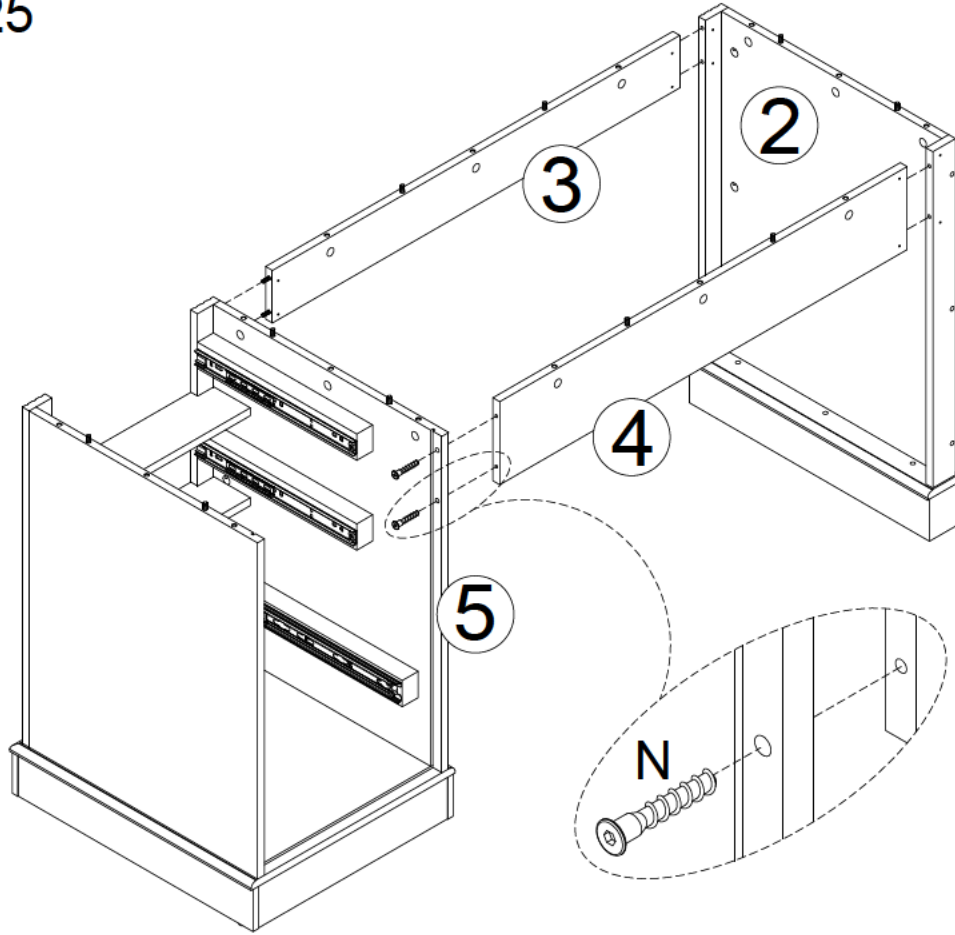



STEP 24



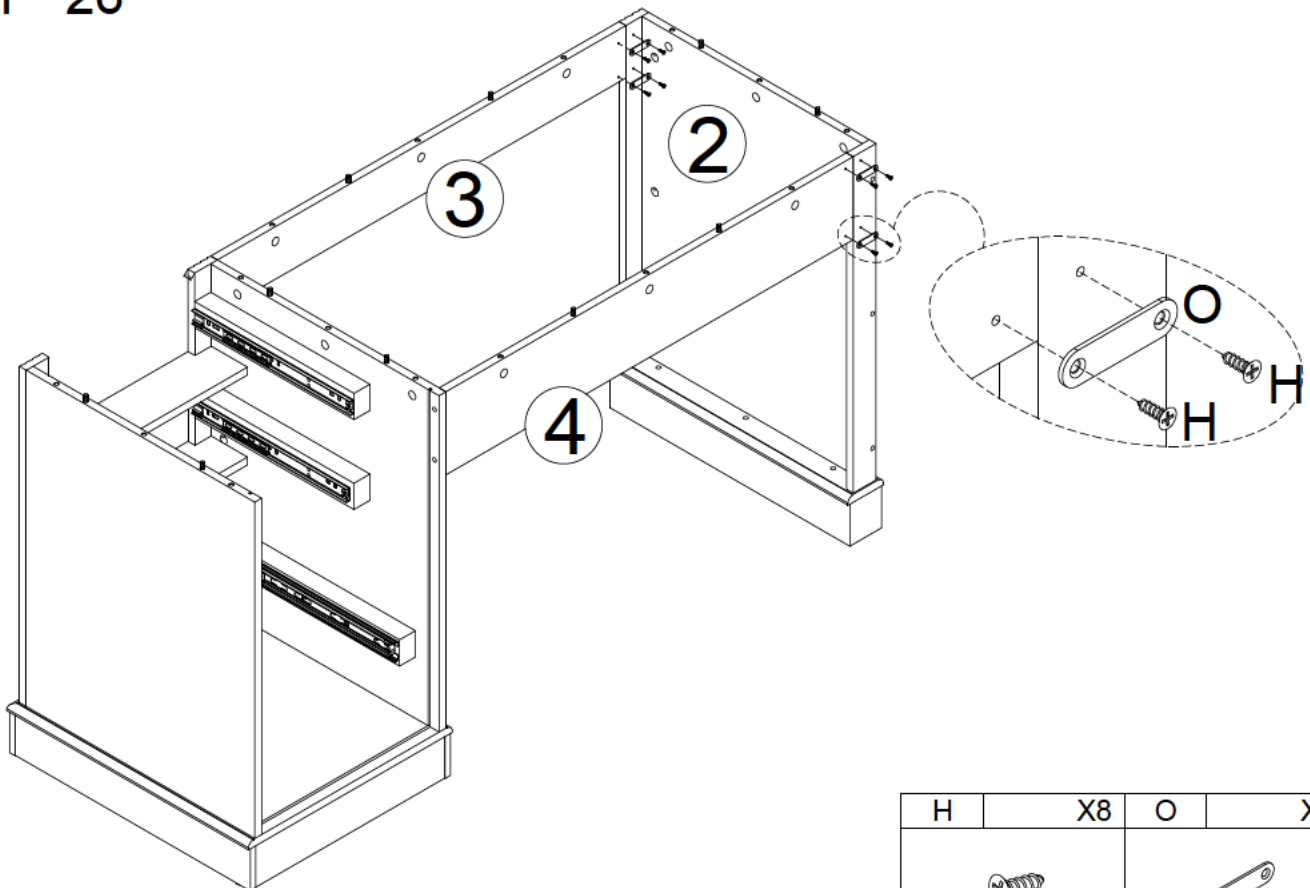
INSTALLATION INSTRUCTION



STEP 25



N	X2
	
Ø7x38mm	

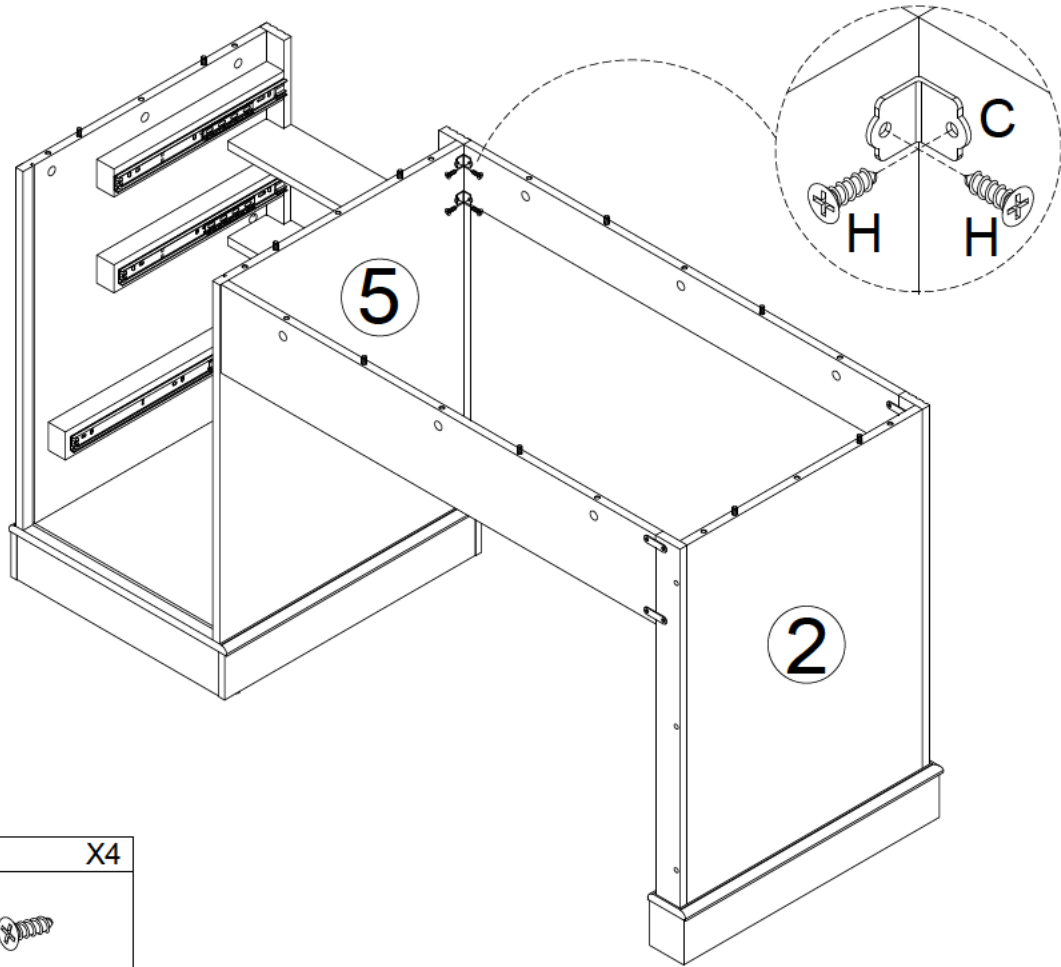
STEP 26





H	X8	O	X4
			
Ø7xØ3.5x12mm			

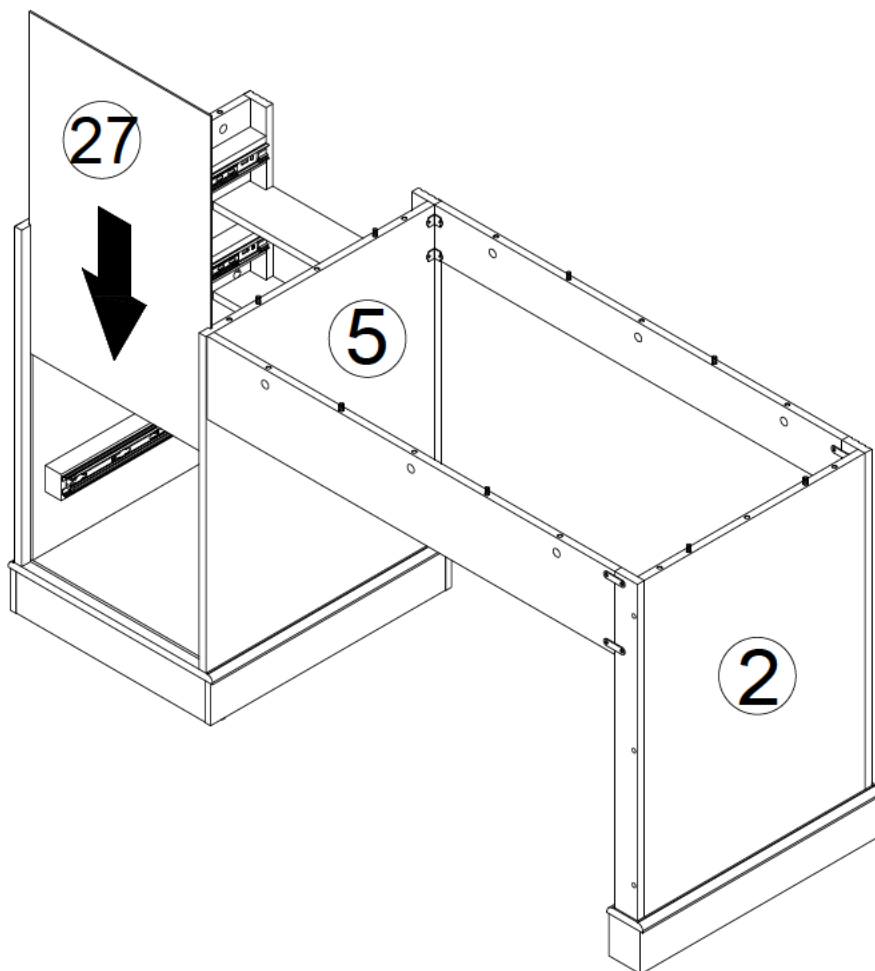
INSTALLATION INSTRUCTION

STEP 27



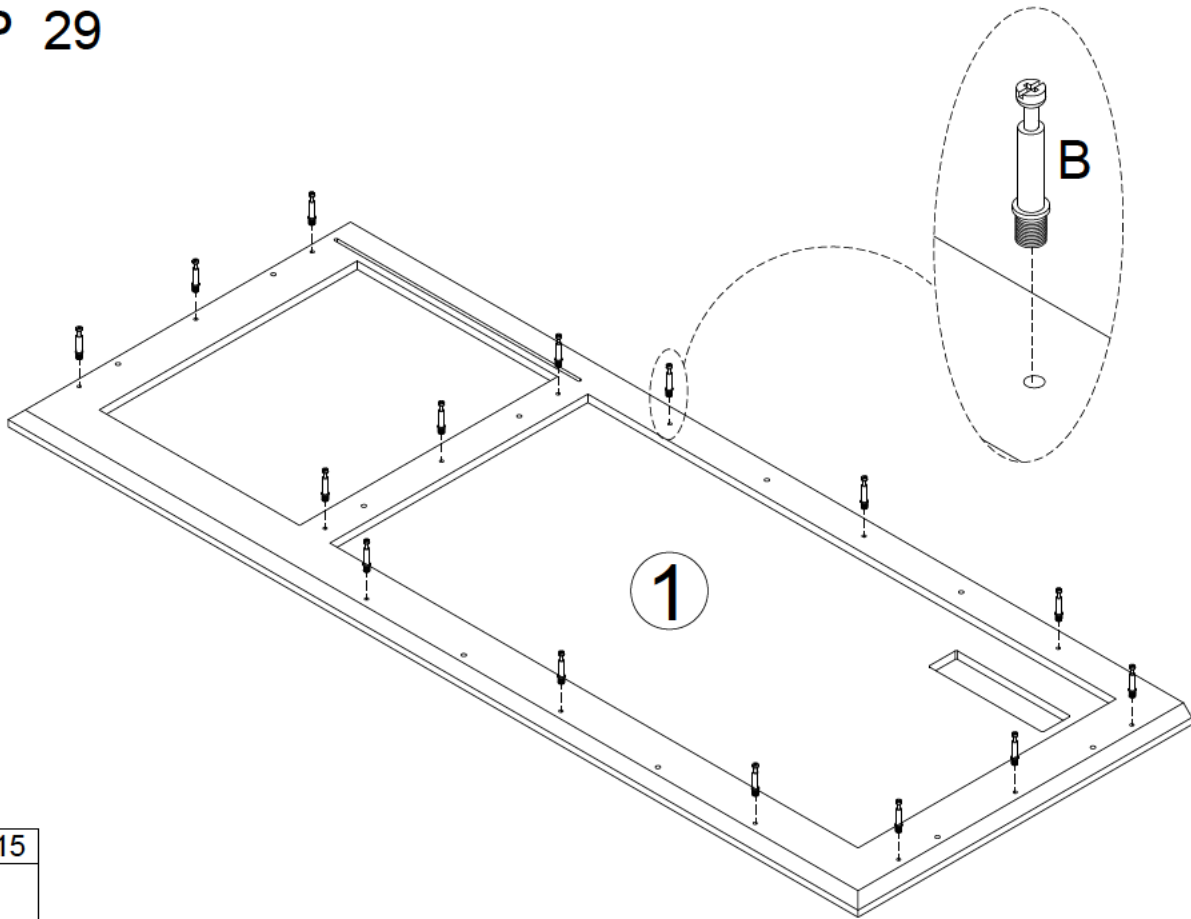
C	X2	H	X4
			
Ø7xØ3.5x12mm			


STEP 28



INSTALLATION INSTRUCTION

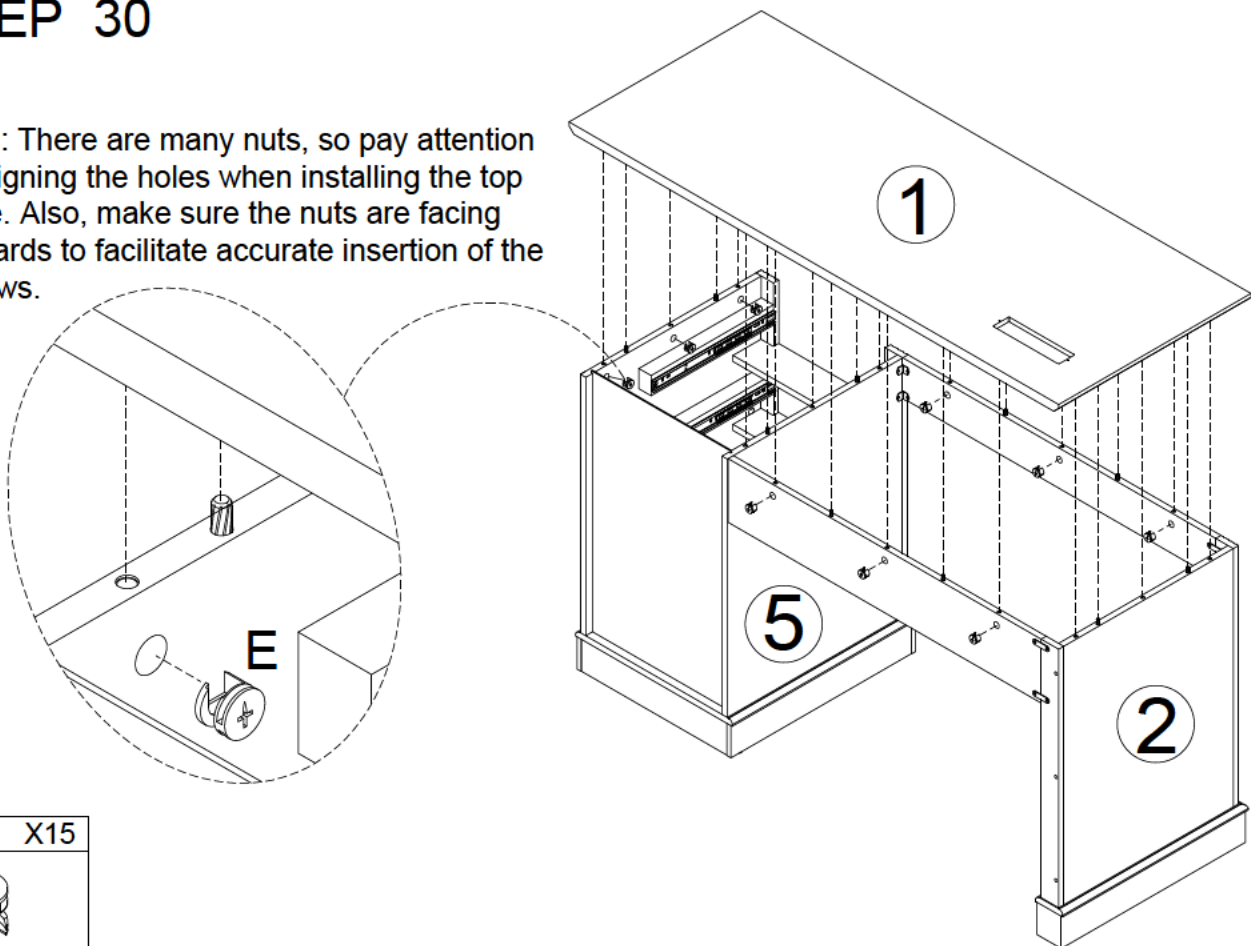
STEP 29




B	X15
	
Ø6x35mm	

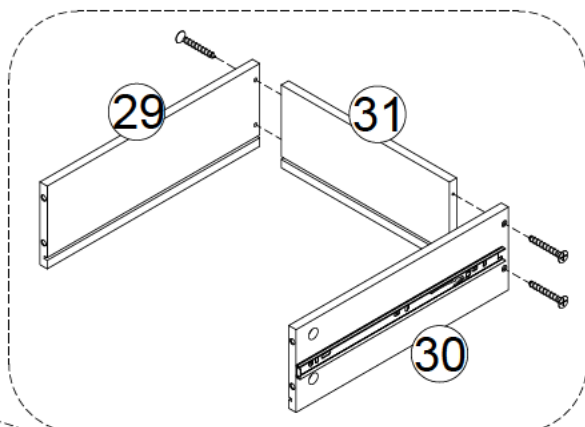
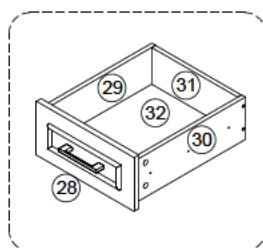
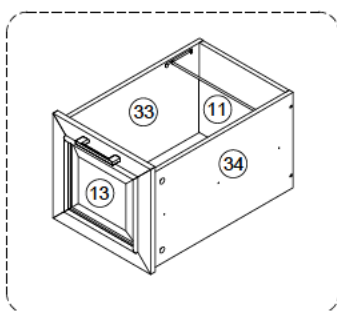
STEP 30

Note: There are many nuts, so pay attention to aligning the holes when installing the top plate. Also, make sure the nuts are facing upwards to facilitate accurate insertion of the screws.

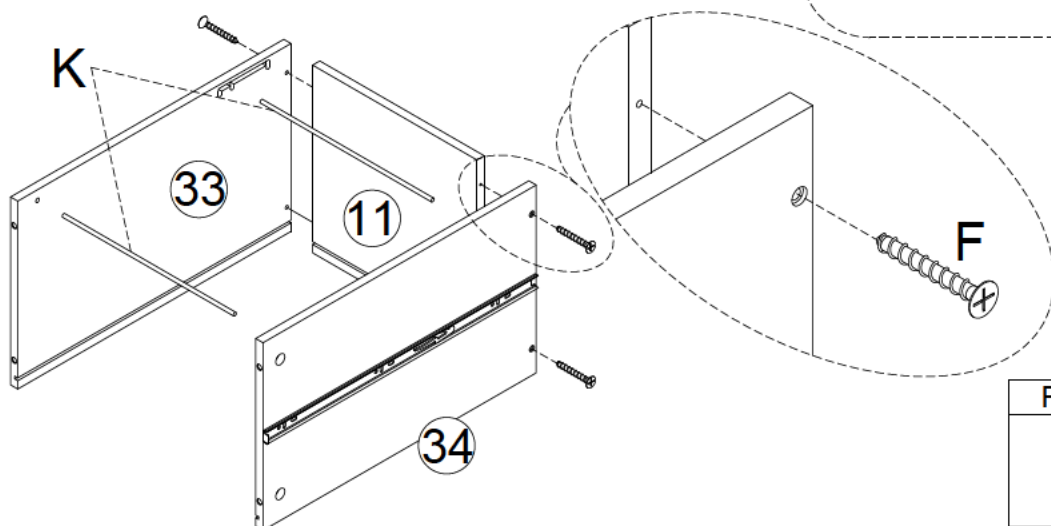


E	X15
	
Ø15x10mm	

STEP 31

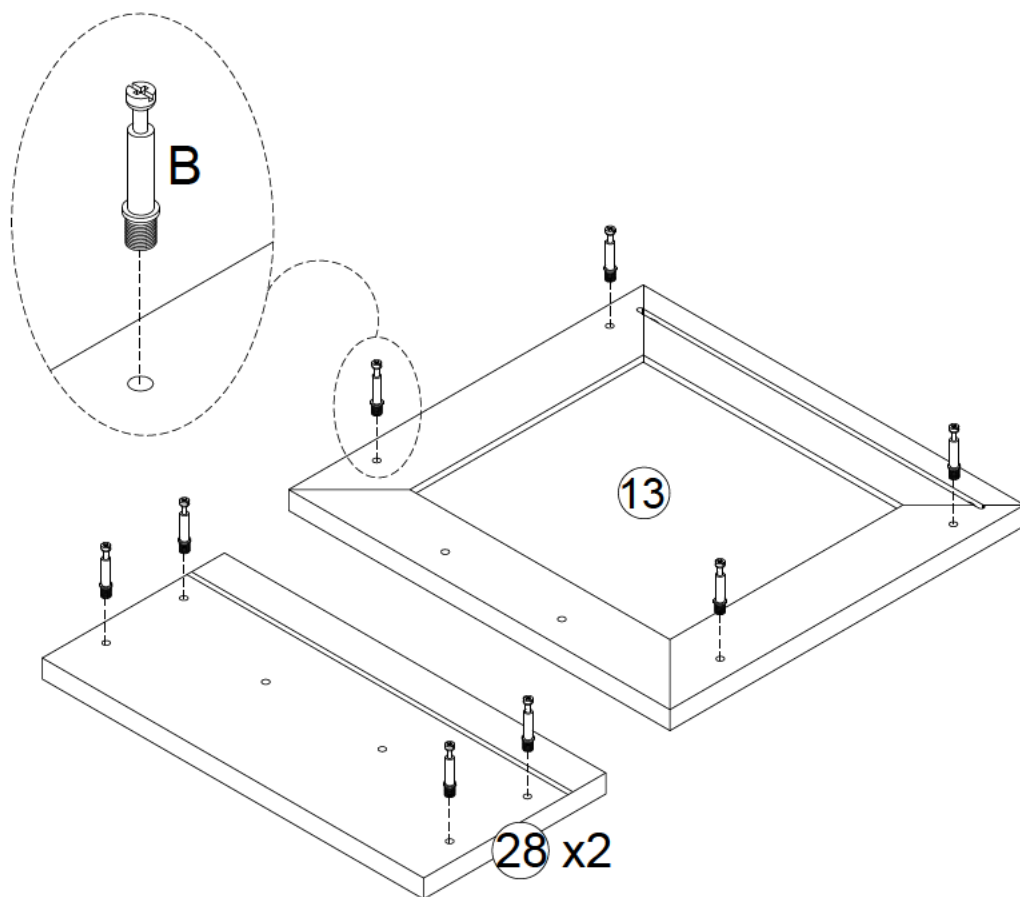


x 2



F	X12	K	X2
Ø8xØ4x35mm			

STEP 32

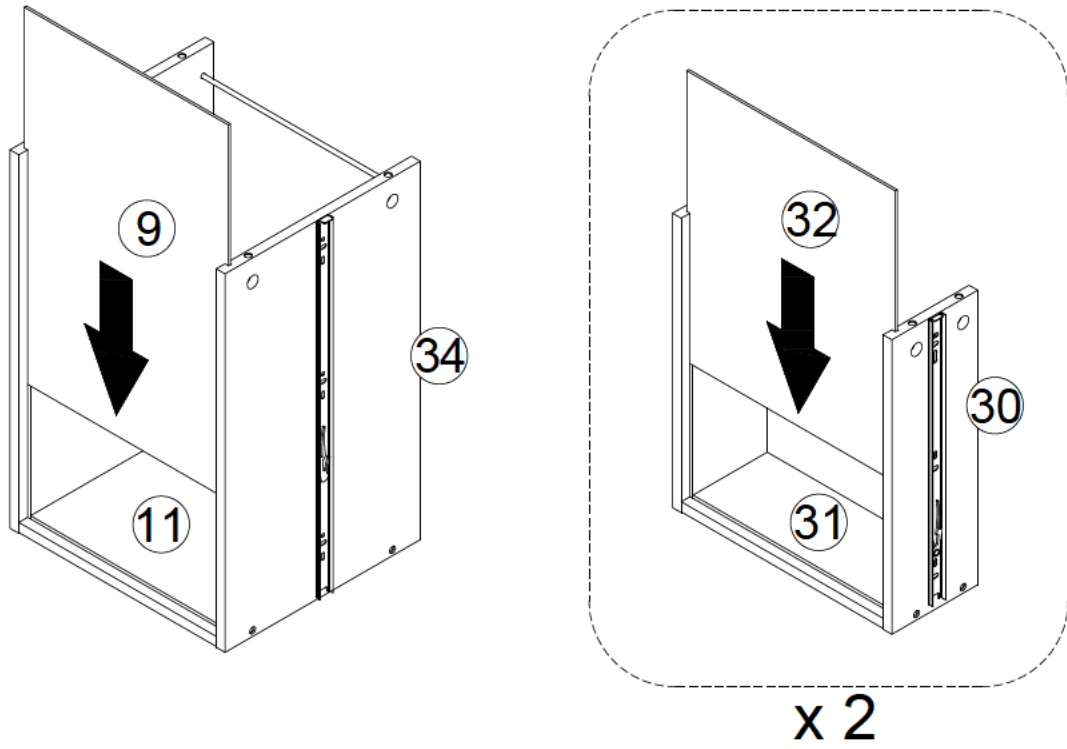


28 x 2

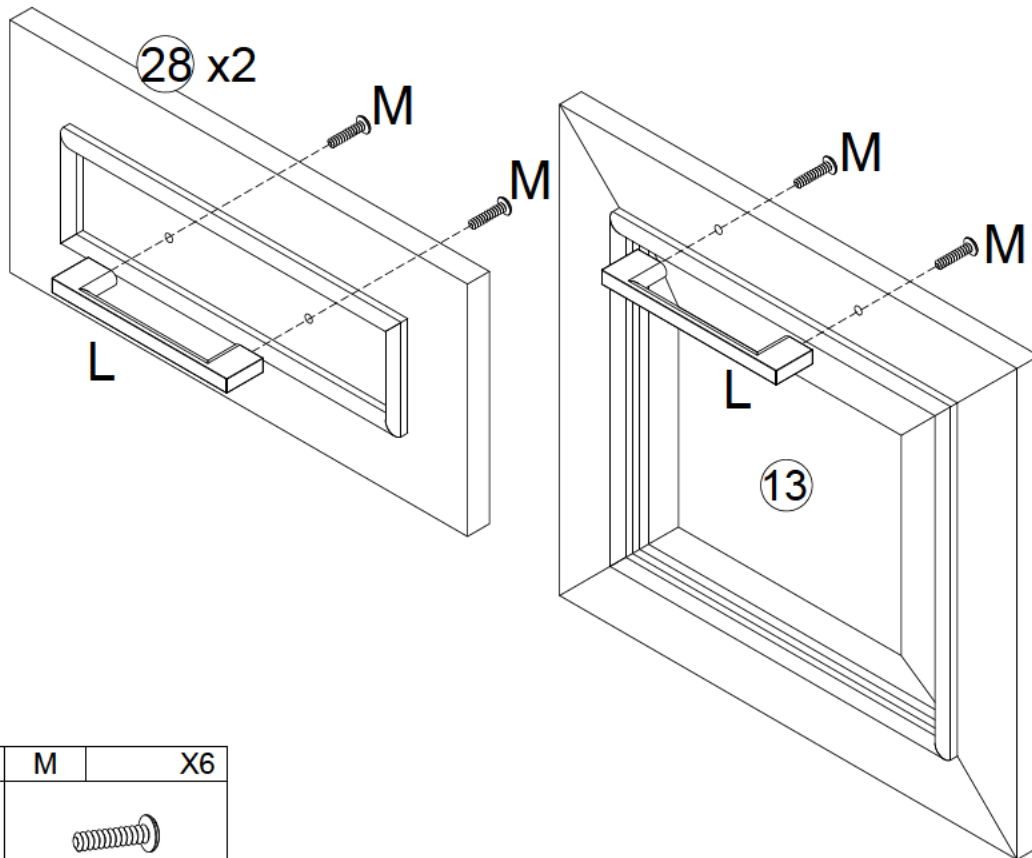
B	X12
Ø6x35mm	

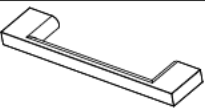

INSTALLATION INSTRUCTION

STEP 33



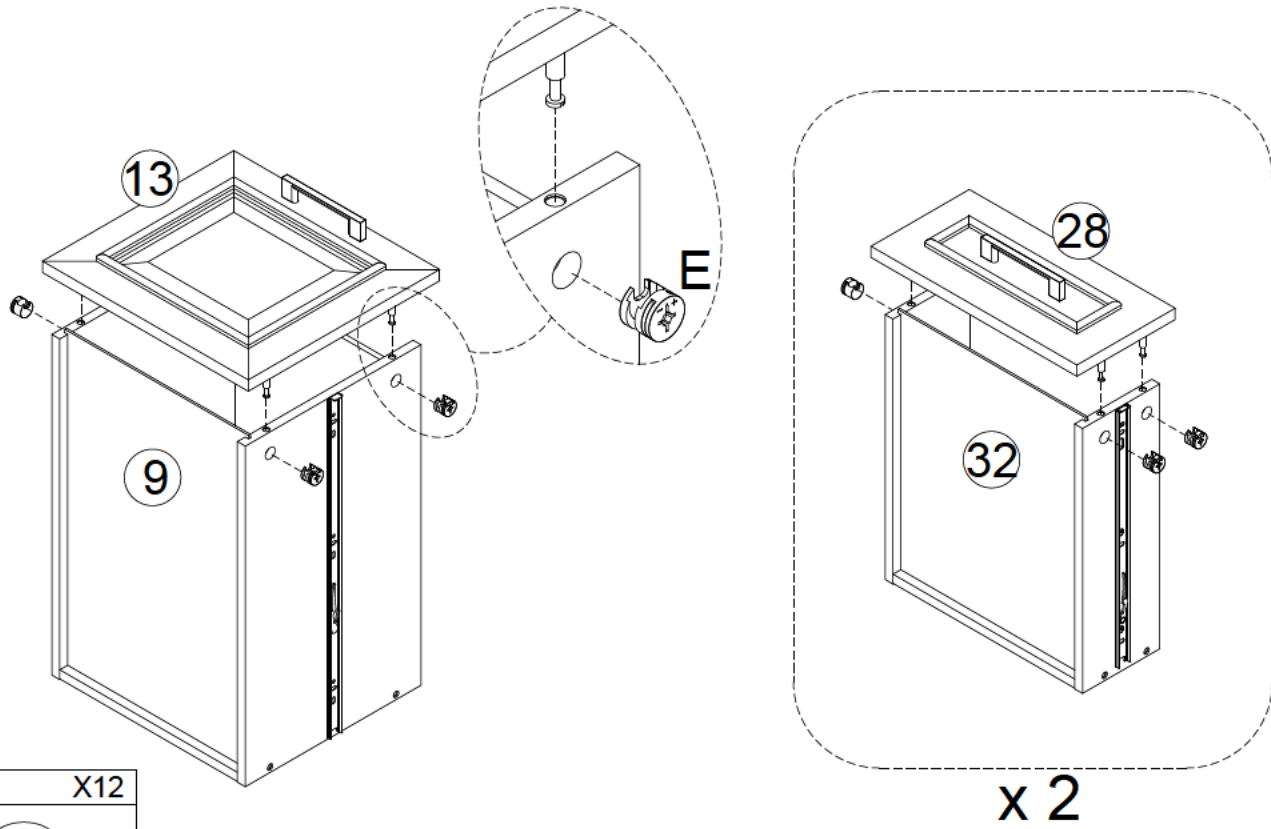
STEP 34



L	X3	M	X6
			
		M4x20mm	

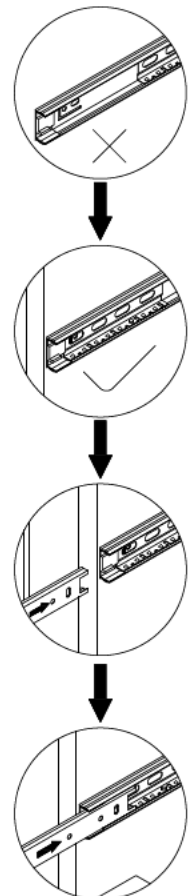
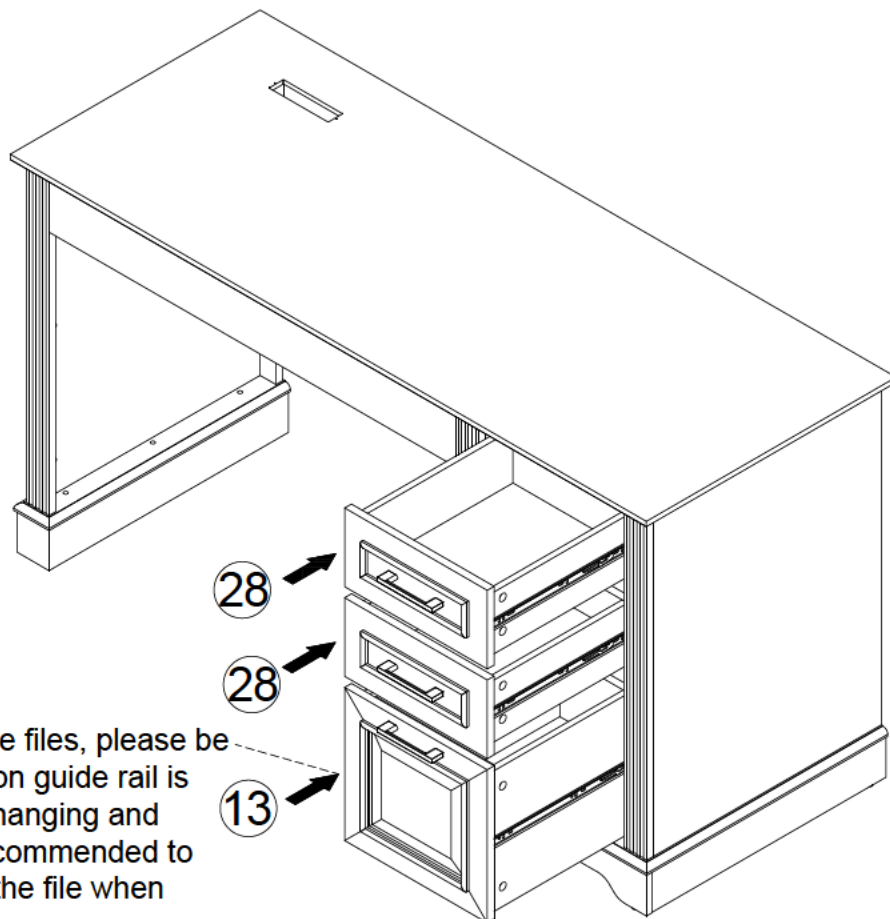
INSTALLATION INSTRUCTION

STEP 35



E	X12
Ø15x10mm	




STEP 36

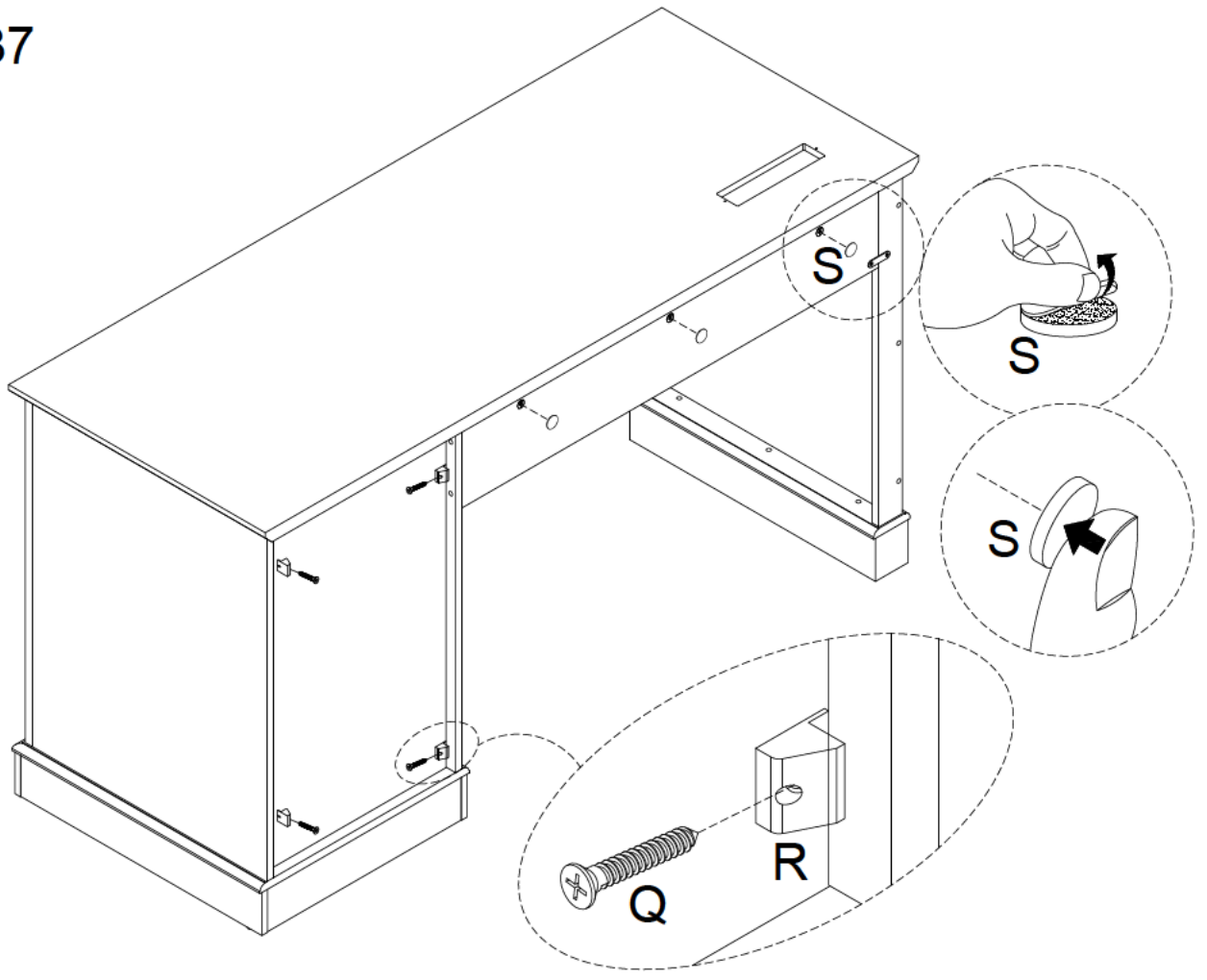


When pulling out large files, please be careful. A three-section guide rail is used to facilitate the hanging and taking of files. It is recommended to pull out two-thirds of the file when placing heavy objects.



INSTALLATION INSTRUCTION

STEP 37

Q	X4
	
Ø6xØ3x16mm	
R	X4
	
S	X10
	



STEP 38

H	X2	P	X1
			
Ø7xØ3.5x12mm			

