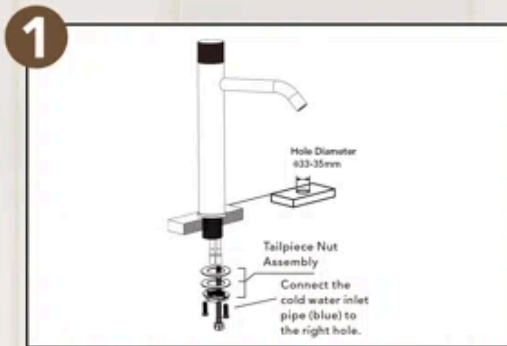
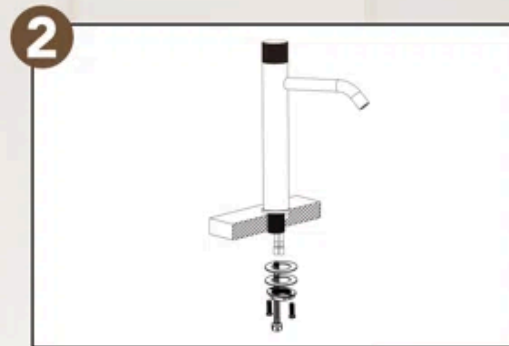


## 4-STEP QUICK INSTALL



Insert the faucet, and thread the tailpiece nut assembly onto the shank.



Connect the cold water inlet pipe (blue) to the right hole, and connect the hot water inlet pipe (red) to the left hole.



Tighten the two screws with a Phillips screwdriver.



Connect the red and blue inlet pipes to the angle valves