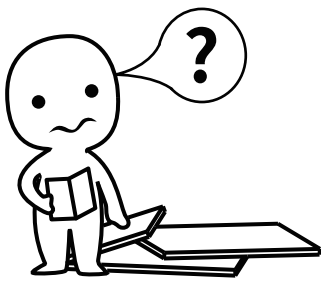


INSTALLATION

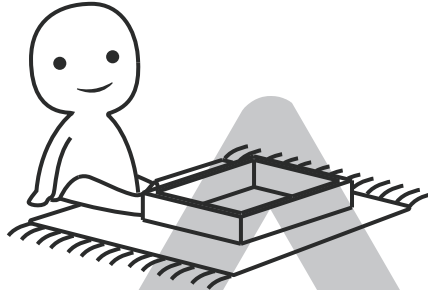
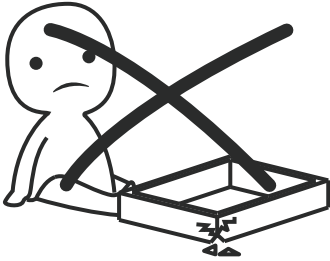
Product Manual

Version: 210364US-01-25A-AA



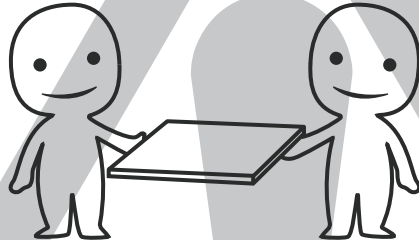
IMPORTANT INFORMATION!

please read the entire manual before starting to assemble and/or using this product. follow the manual thoroughly and keep it for further reference.



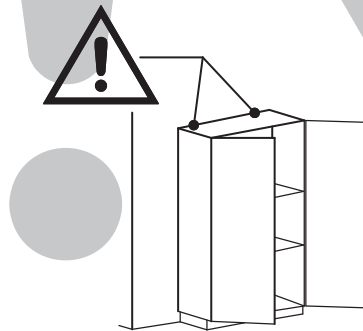
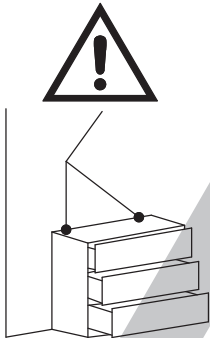
AVOID SCRATCHES!

In order to avoid scratching this furniture should be assembled on a soft layer- could be a rug.



IMPROVE EFFICIENCY !

Try to find a partner to install with you, which can speed up the installation efficiency and shorten the time.



ANTI-TOPPLE WARNING !

Overturnd furniture can cause serious or fatal crush injuries. To prevent tipping over, be sure to use the wall attachment, if not included with this product. Please purchase the wall attachment that fit your wall. If unsure, seek professional advice. Please read and follow each step of the instructions carefully.

IMPORTANT !

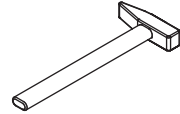
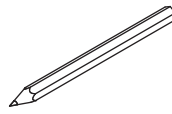
It is important that any product which is assembled using any kind of screw is re-tightened 2 weeks after assembly, and once every 3 months - in order to assure stability through-out the lifespan of the product.

For regular maintenance and cleaning of the product, for the frame, please use a rag dipped in neutral detergent to fully wipe it, and then dry it with a clean rag. For glass materials, wipe with a rag dampened with water glass cleaner, and then dry with a dry rag.

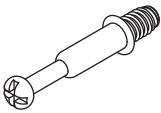
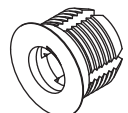
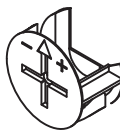
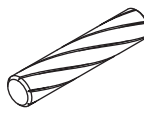
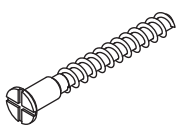
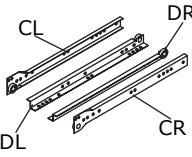
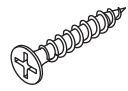

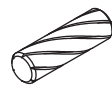
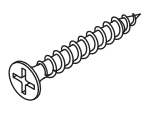
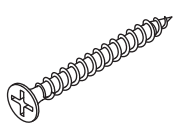
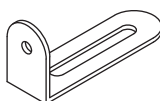
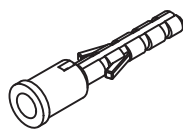
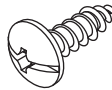
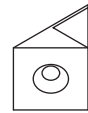


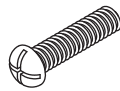
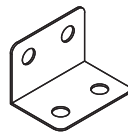
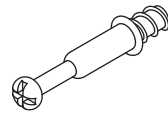
Do not use an electric screwdriver, and do not use too much force when installing, because the board is easy to break.

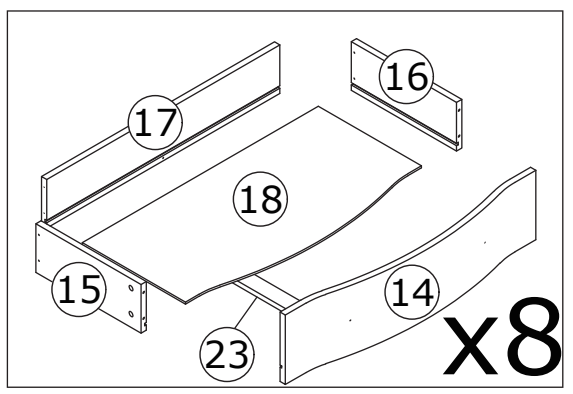
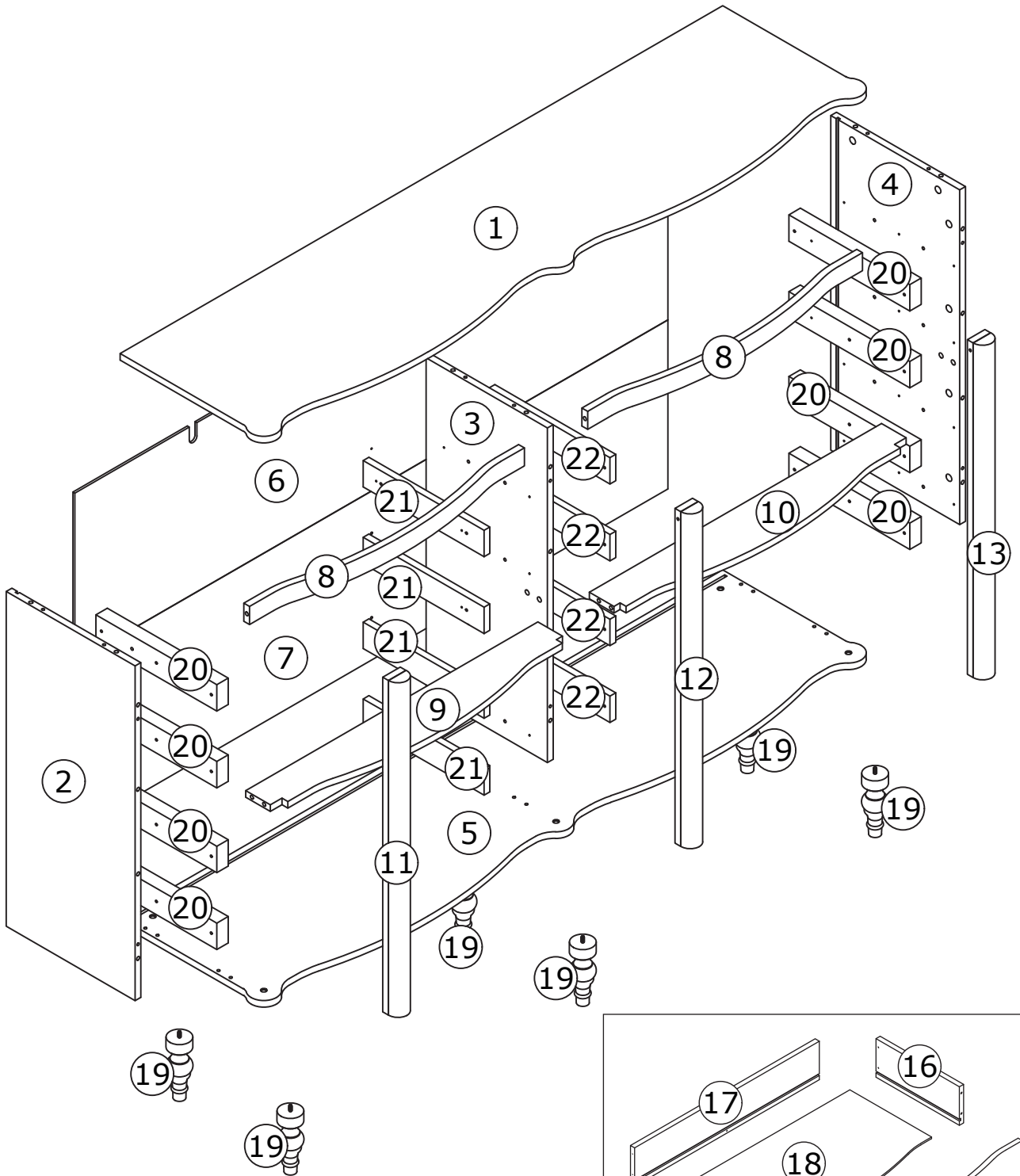


Please prepare the following tools



When installing, please carefully confirm whether each screw corresponds to the manual, accessories with similar shapes can be distinguished by size

A x 66  CRA0635B	B x 66 	C x 70  CRB1595A	D x 18  CRF0630A	E x 46  CRC0540A
F x 8  WX1212A	G x 32  CRD3520A	H x 32  CRD3512A	J x 32  CRF0620A	K x 24  CRD3525A
L x 26  CRD3535A	M x 2 	N x 2  CRE3514A	P x 2  CRE3514A	Q x 24 
R x 32  CRD0314A	S x 16 	T x 16  CRE0420A	U x 2 	V x 4  CRA0635A

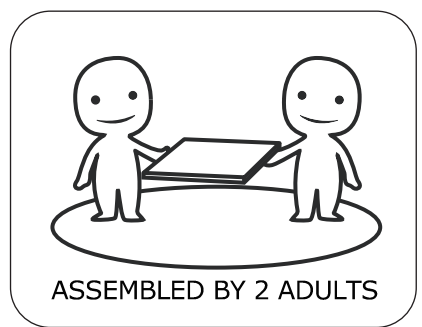


⚠ WARNING

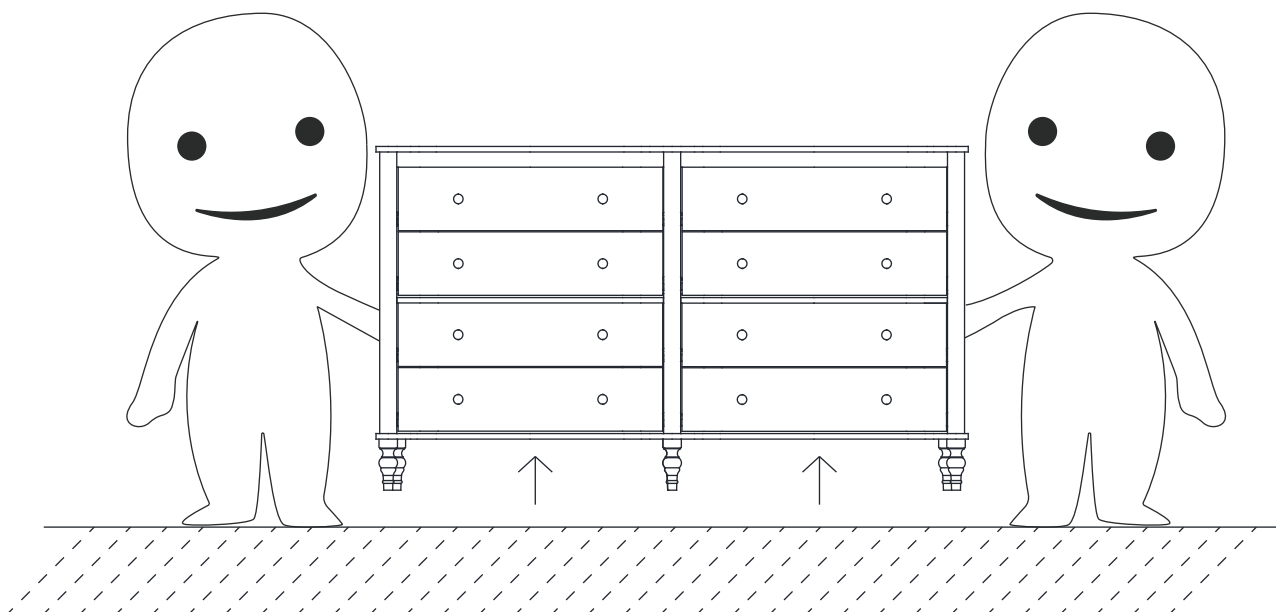
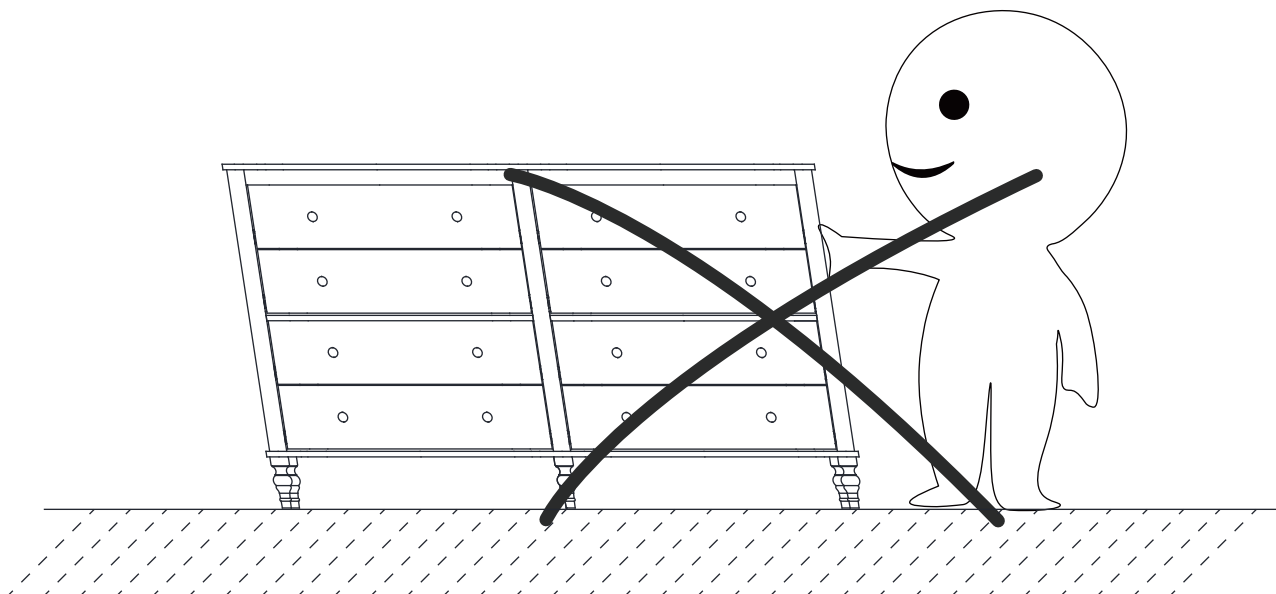
Children have died from furniture tipover. To reduce the risk of furniture tipover:

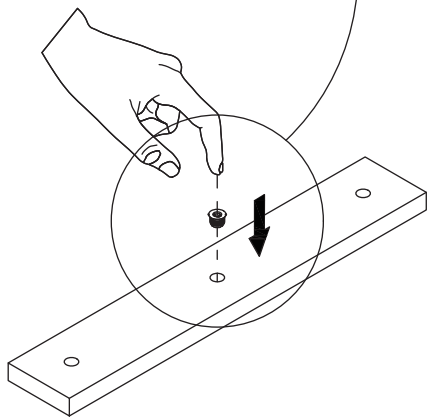
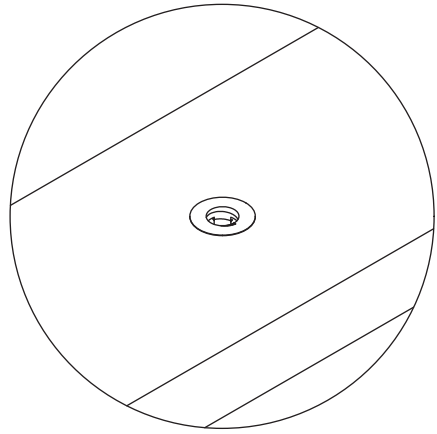
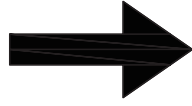
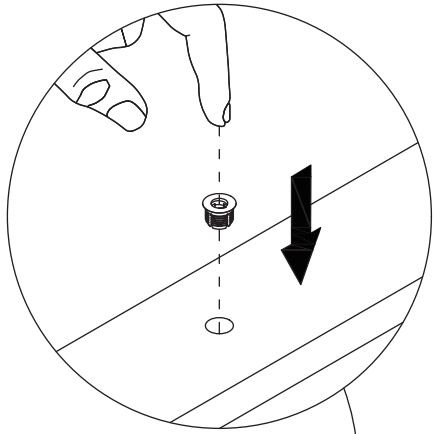
- ALWAYS install Anti-tip device provided.
- NEVER put a TV on this product.
- NEVER allow children to stand, climb or hang on drawers, doors, or shelves.
- NEVER open more than one drawer at a time.
- Place heaviest items in the lowest drawers.

This is a permanent label. Do not remove!

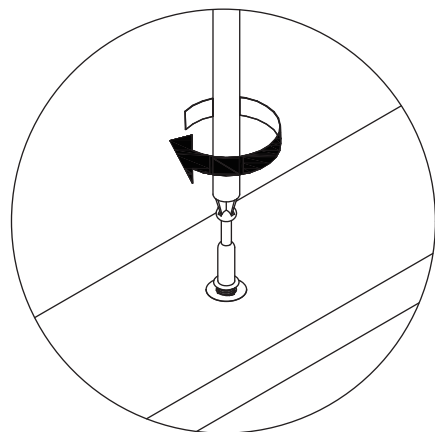
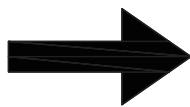
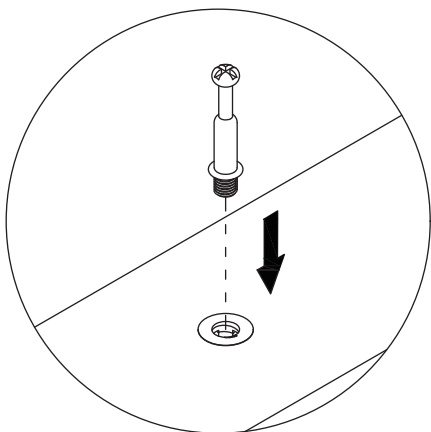
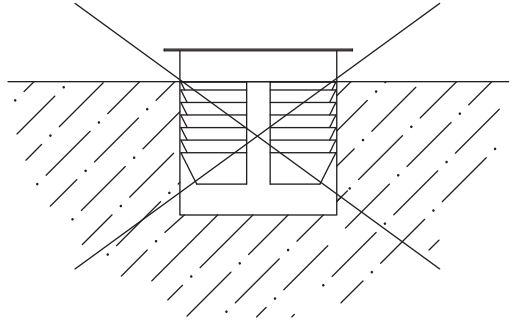
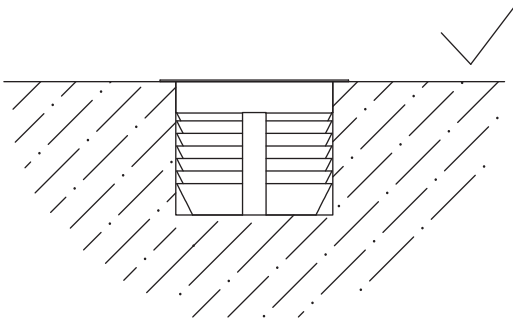


If you need to move the cabinet, do not push it horizontally.
It requires two people to cooperate:
lift the cabinet off the ground first, then place it at your designated position.

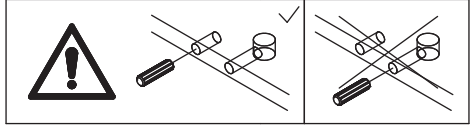
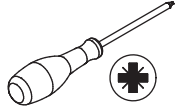




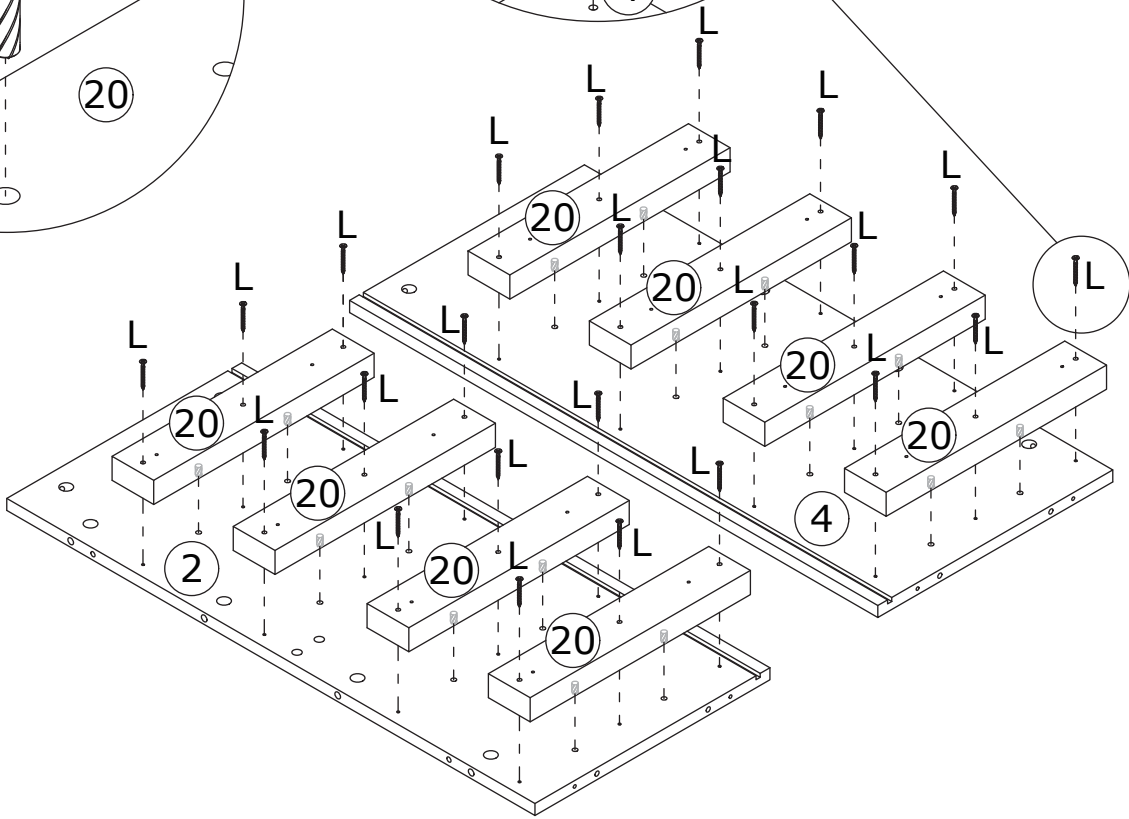
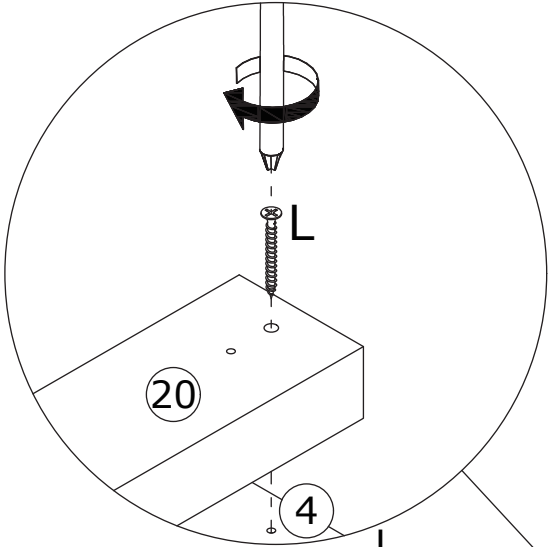
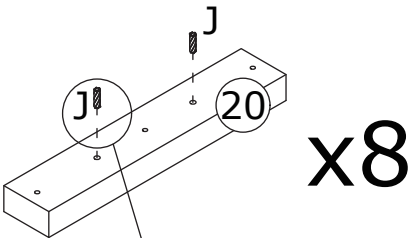
OR



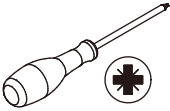
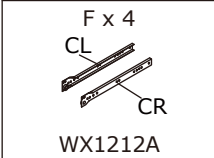
1



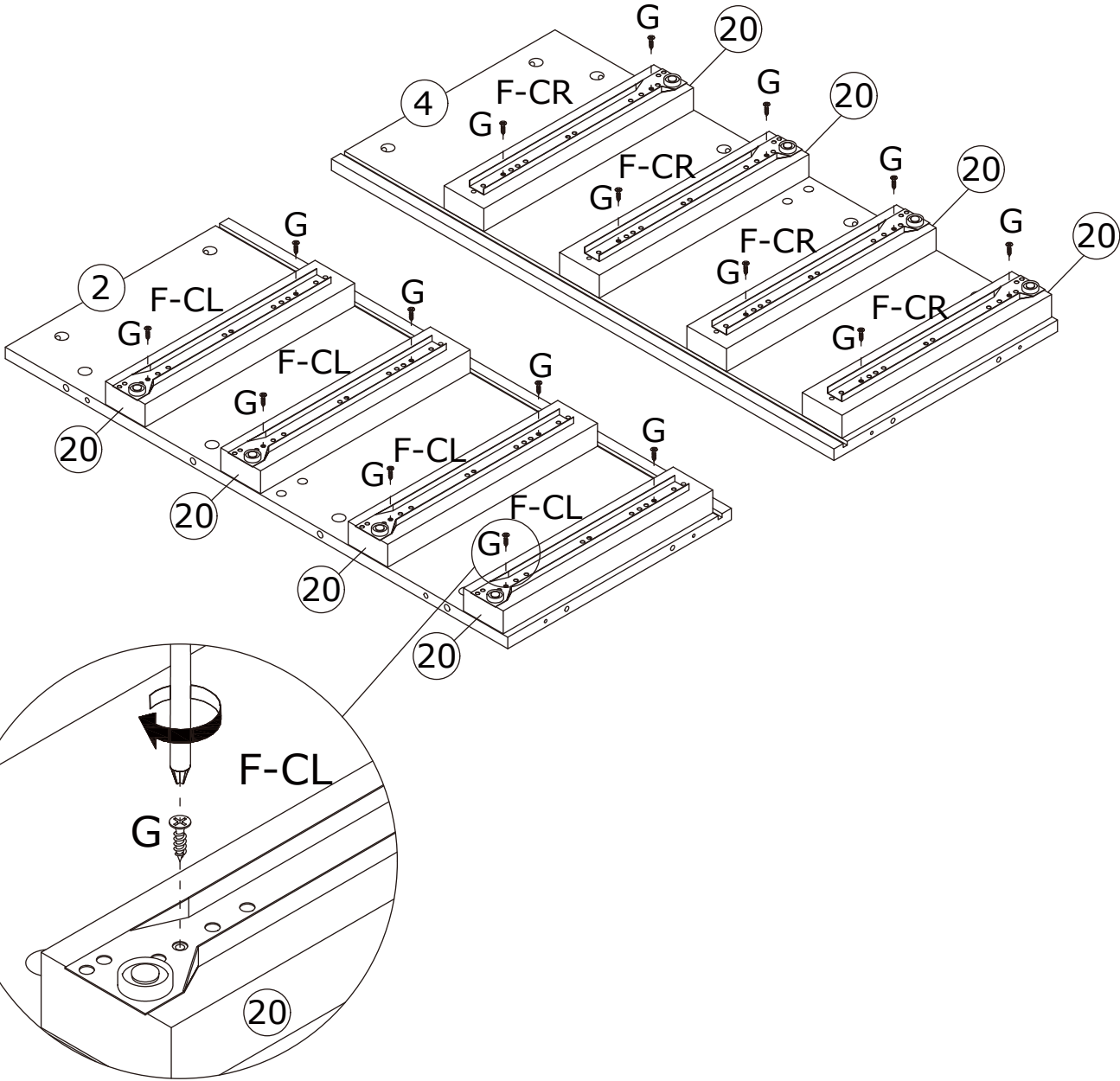
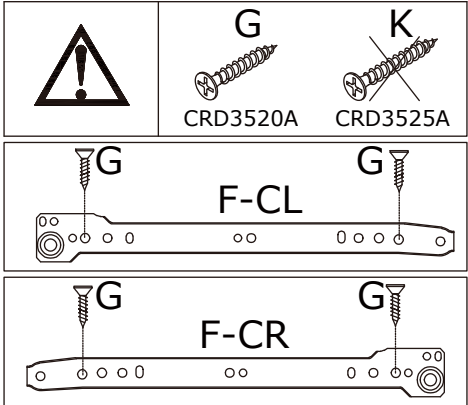
Insert dowels (J) into panel 20 as shown and use screws (L) to attach panel 20 to panels 2 and 4.



2

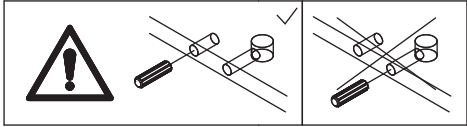


Use screws (G) to secure slide (F-CL) and (F-CR) to panel 20 respectively as shown.

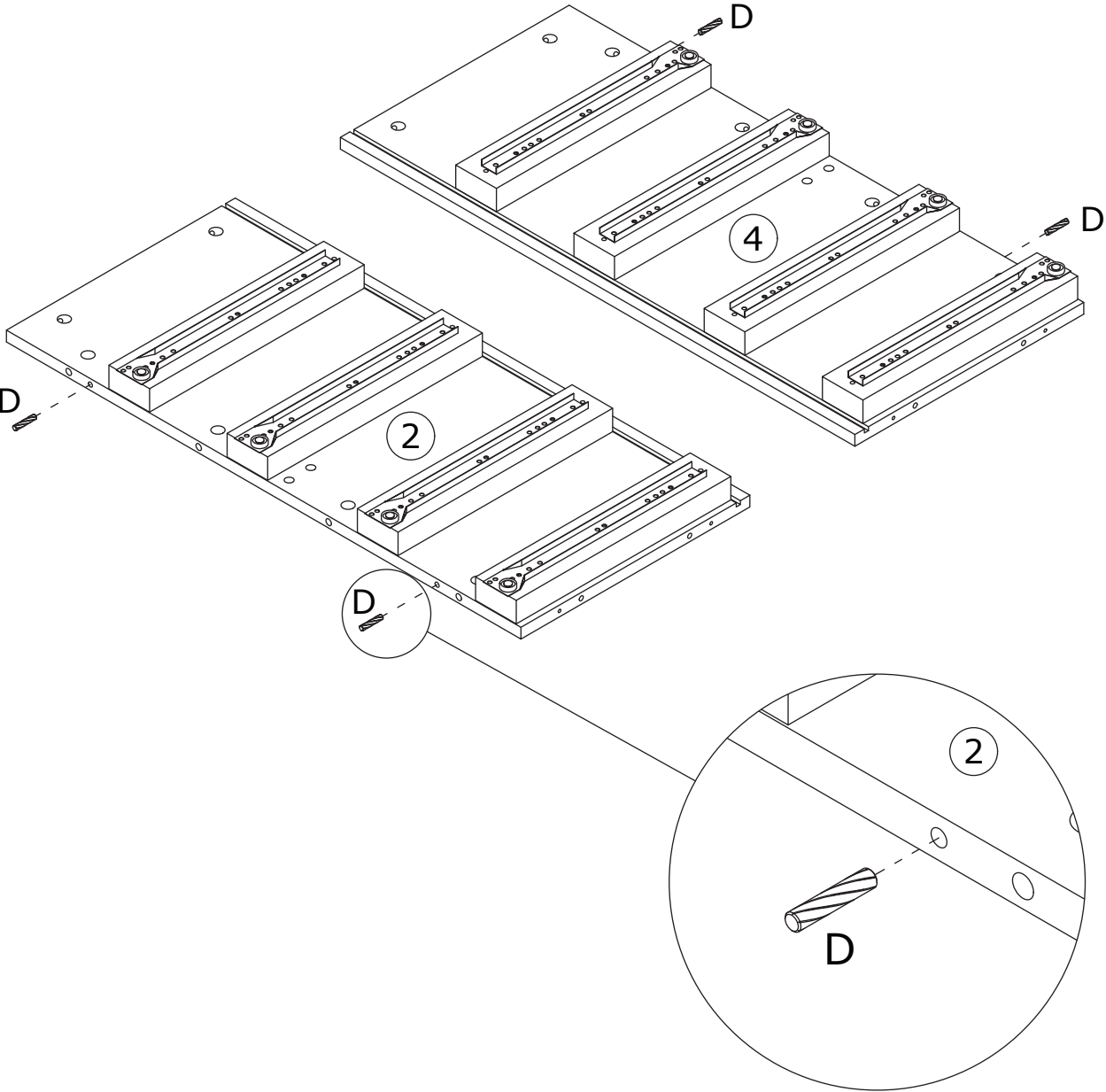


3

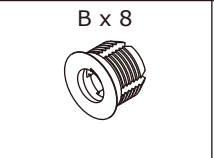
D x 4
CRF0630A



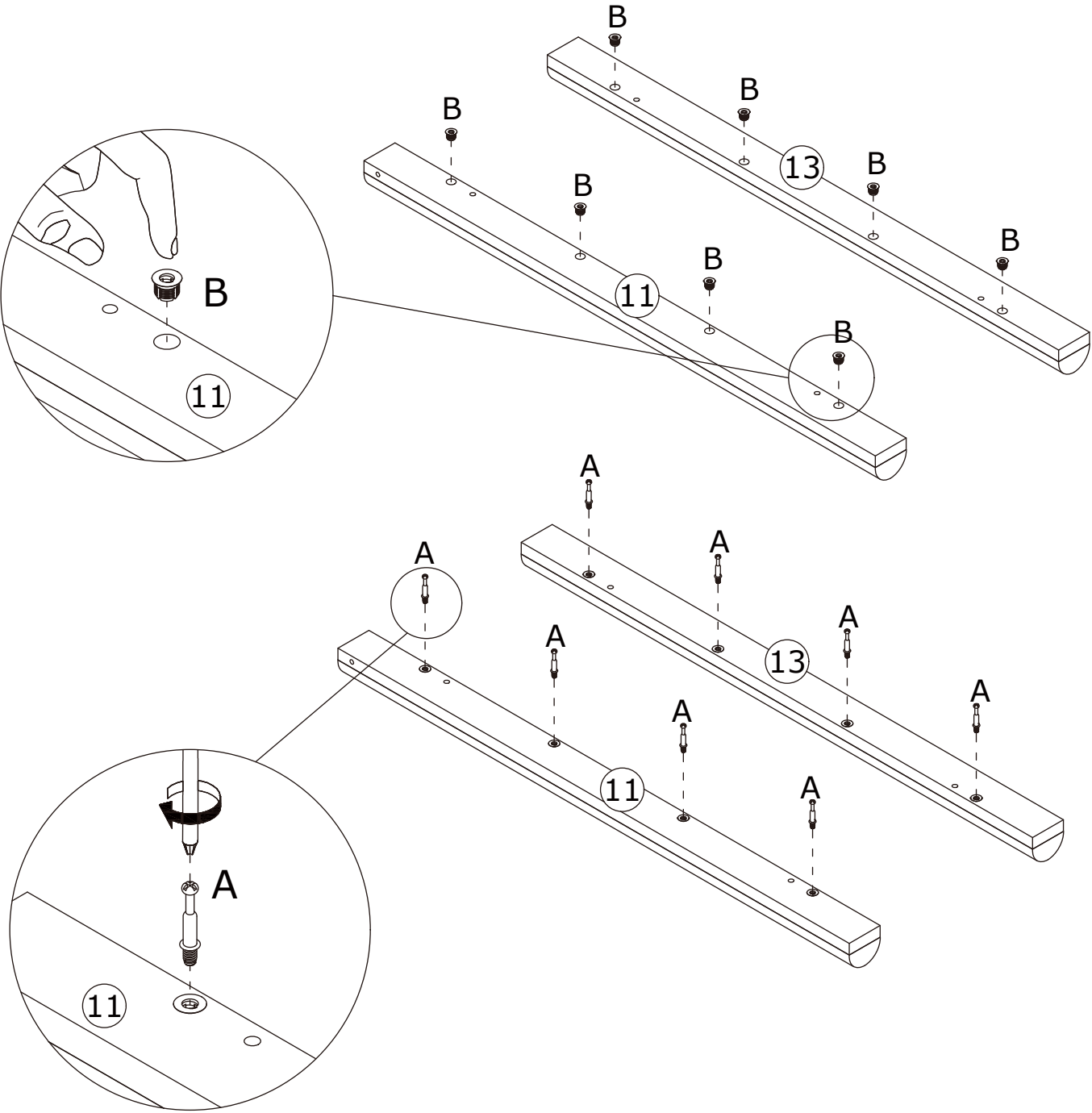
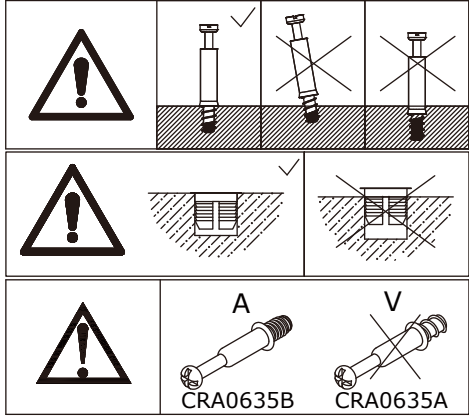
Insert dowels (D) into panels 2 and 4 as shown.



4

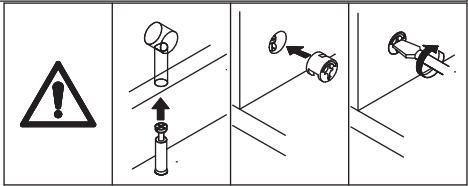
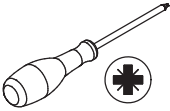


Add part (B) into panels 11 and 13, screw self-tapping rod (A) into panels 11 and 13 as shown.

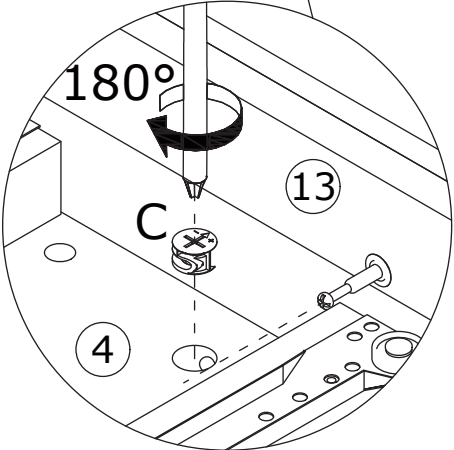
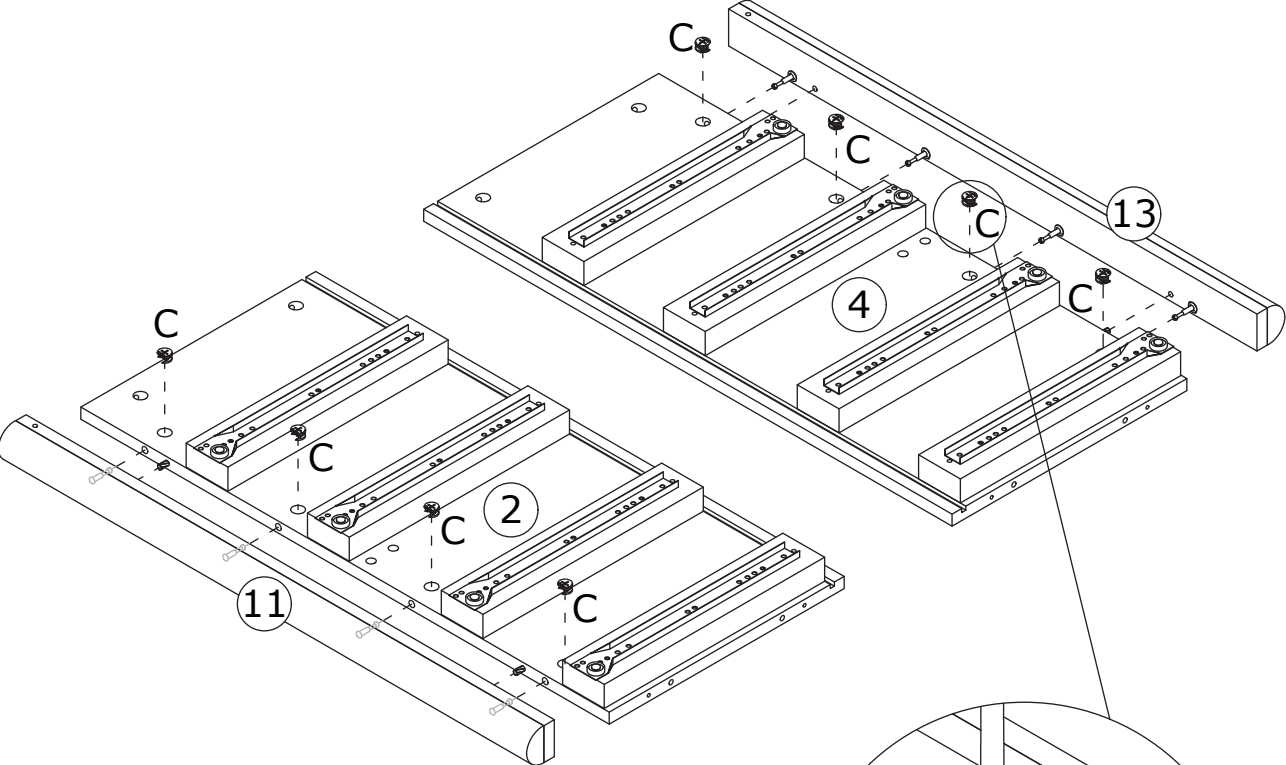


5

C x 8
CRB1595A

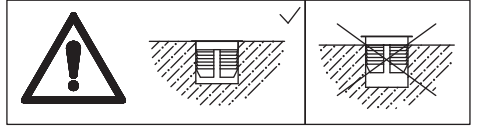


Connect panel 11 to panel 2, panel 13 to panel 4, and add the eccentric wheel (C) to tighten in clockwise rotation.

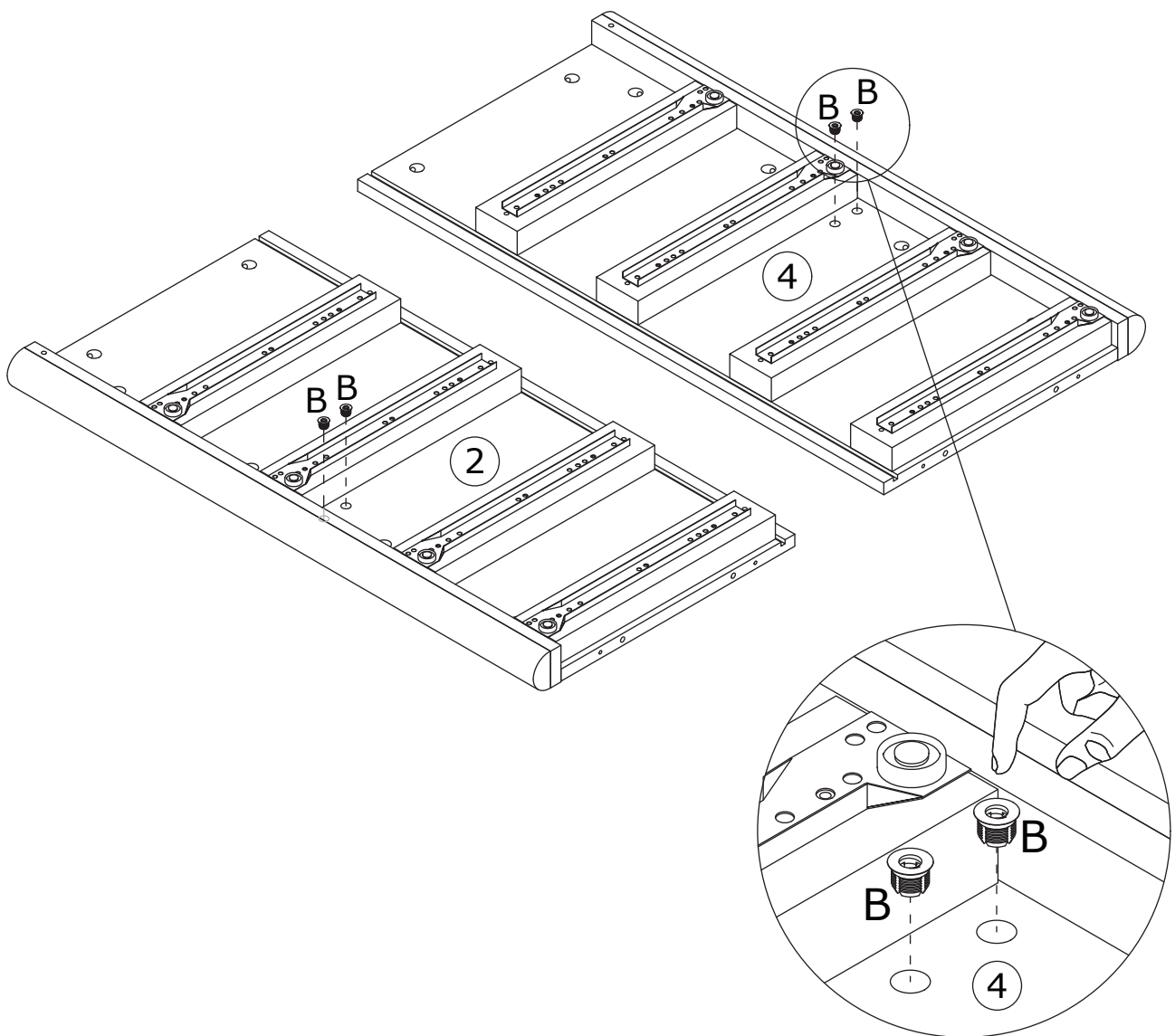


6

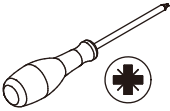
B x 4



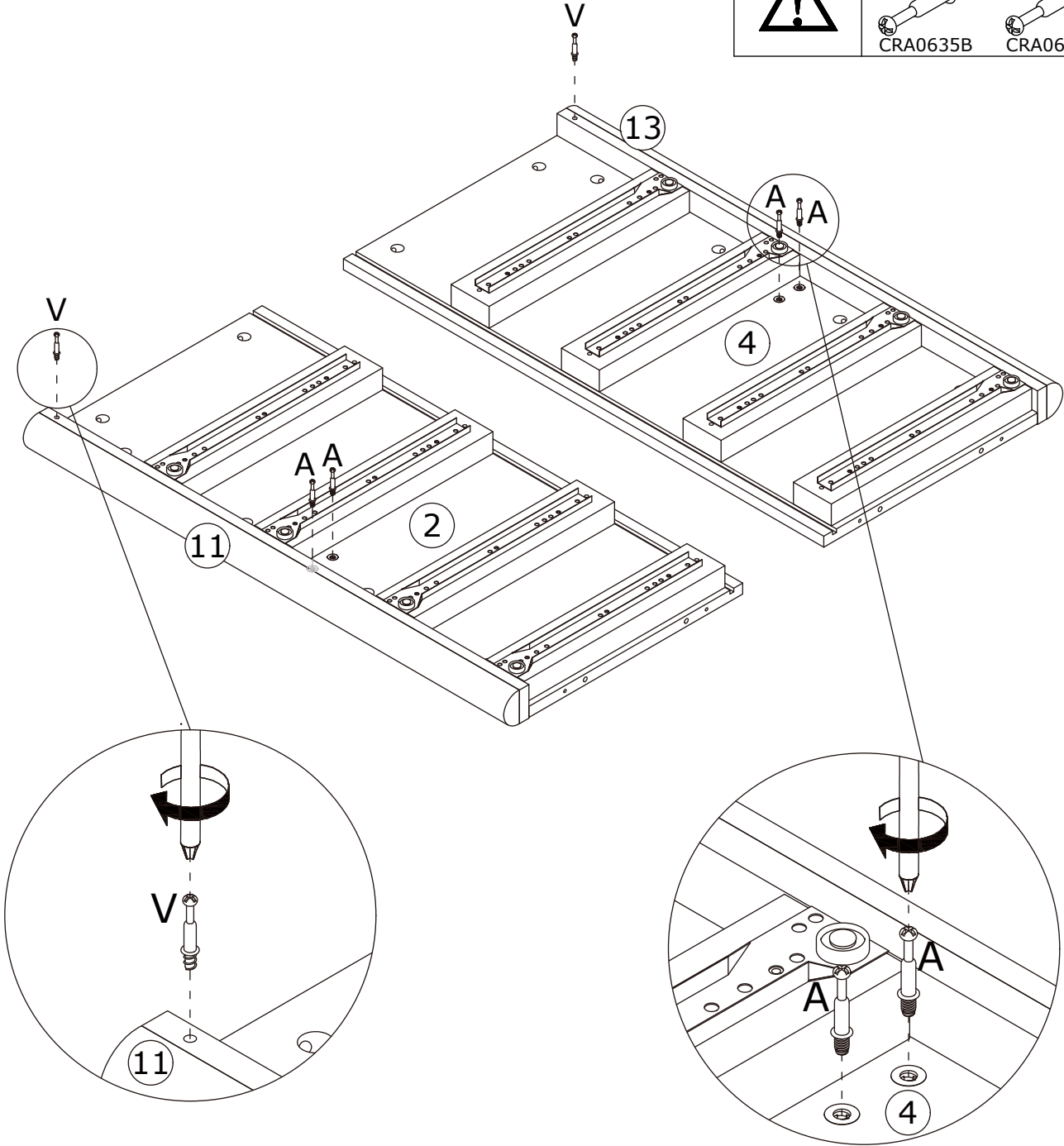
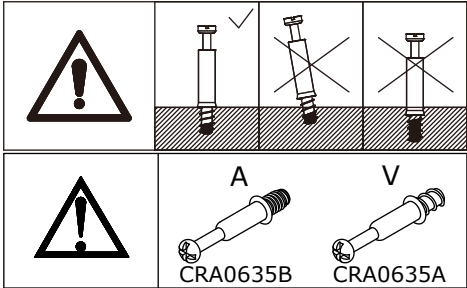
Add part (B) into panels 2 and 4 as shown.



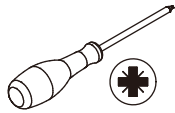
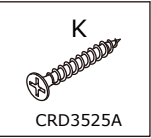
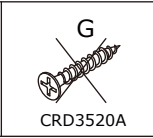
7



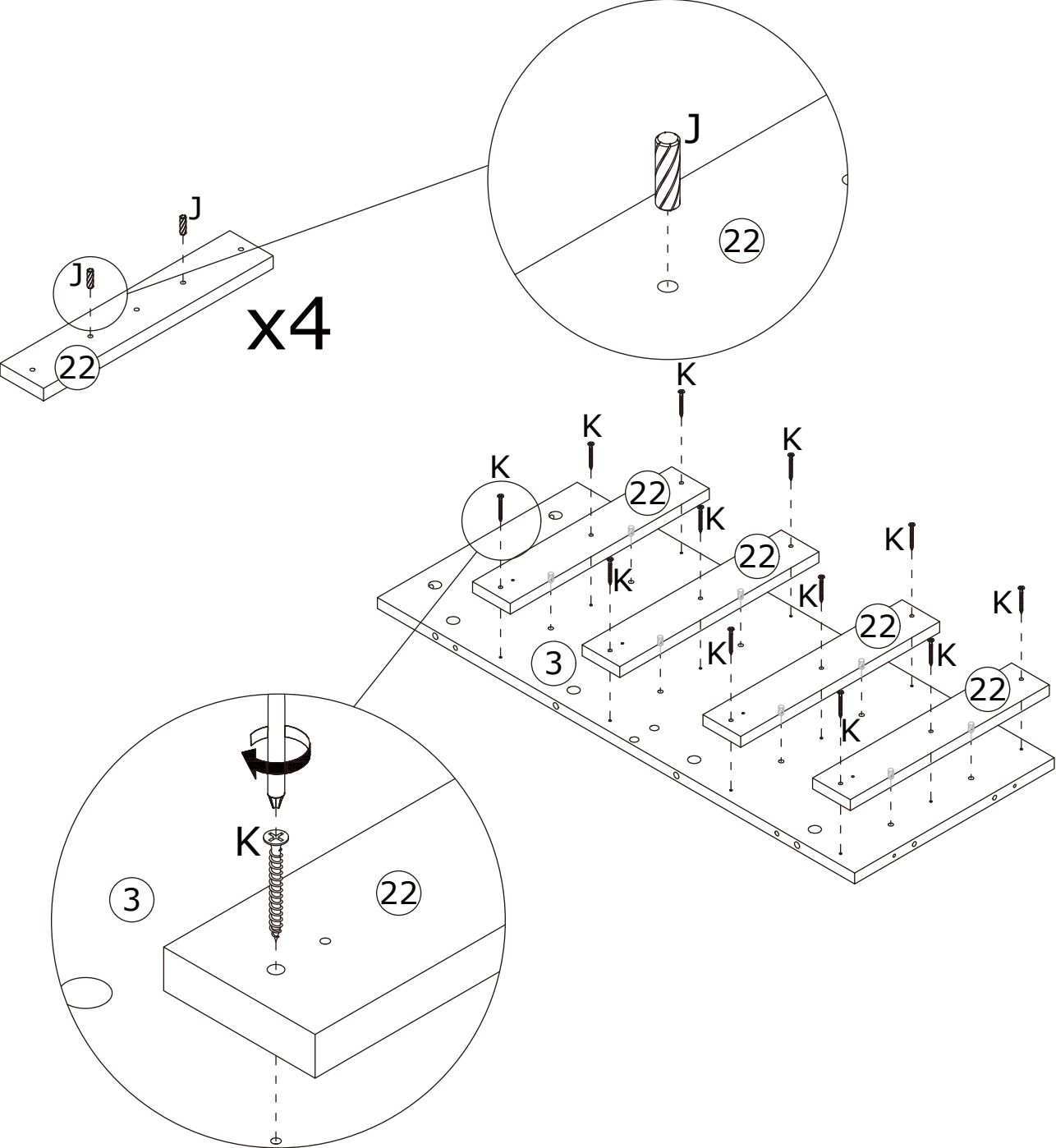
Screw self-tapping rod (A) into panels 2 and 4 and self-tapping rod (V) into panels 11 and 13 as shown.



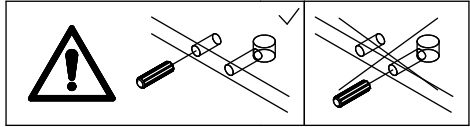
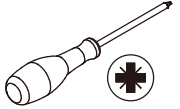
8



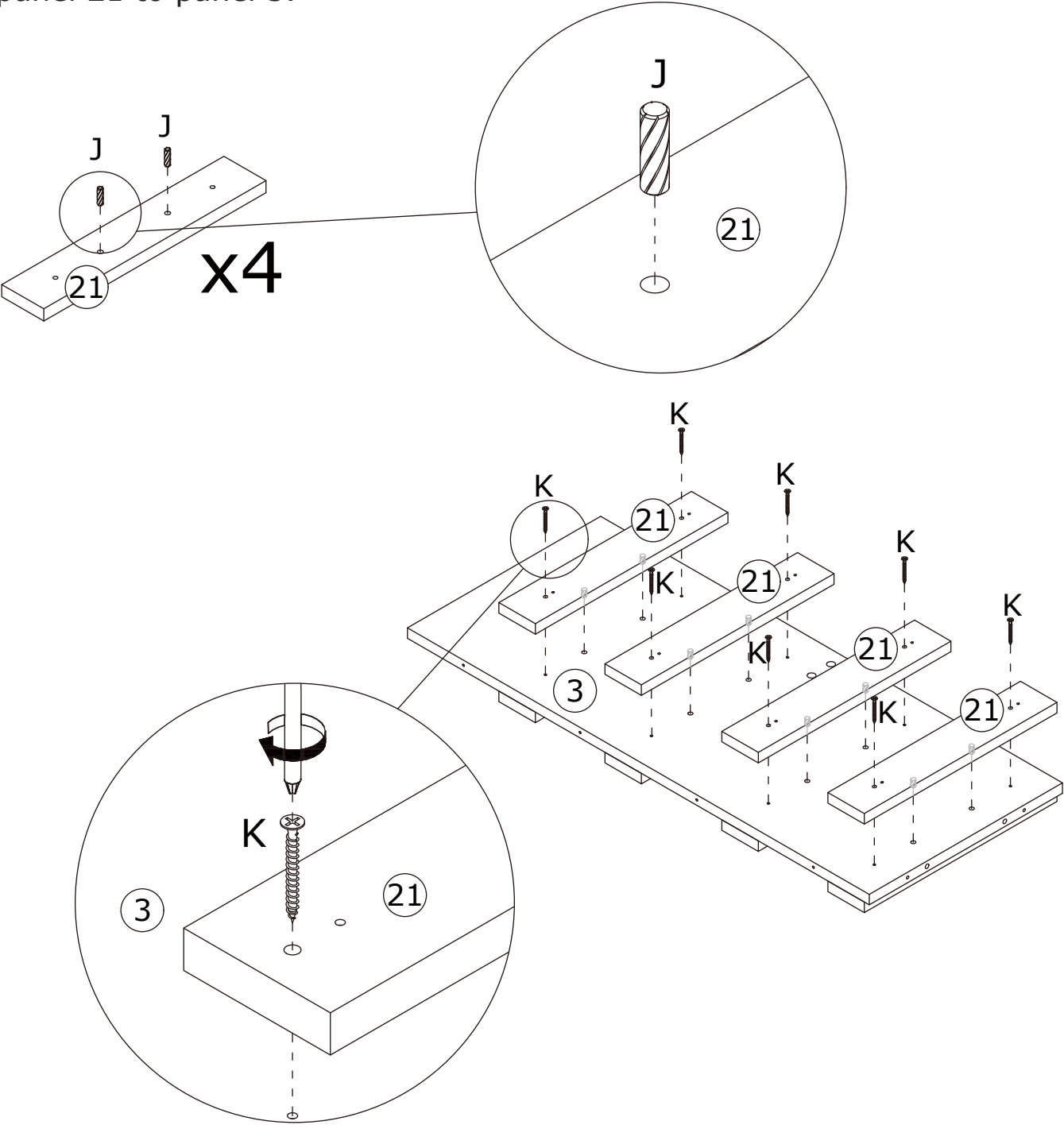
Insert dowels (J) into panel 22 as shown and use screws (K) to attach panel 22 to panel 3.



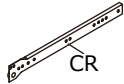
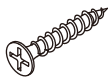
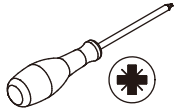




9



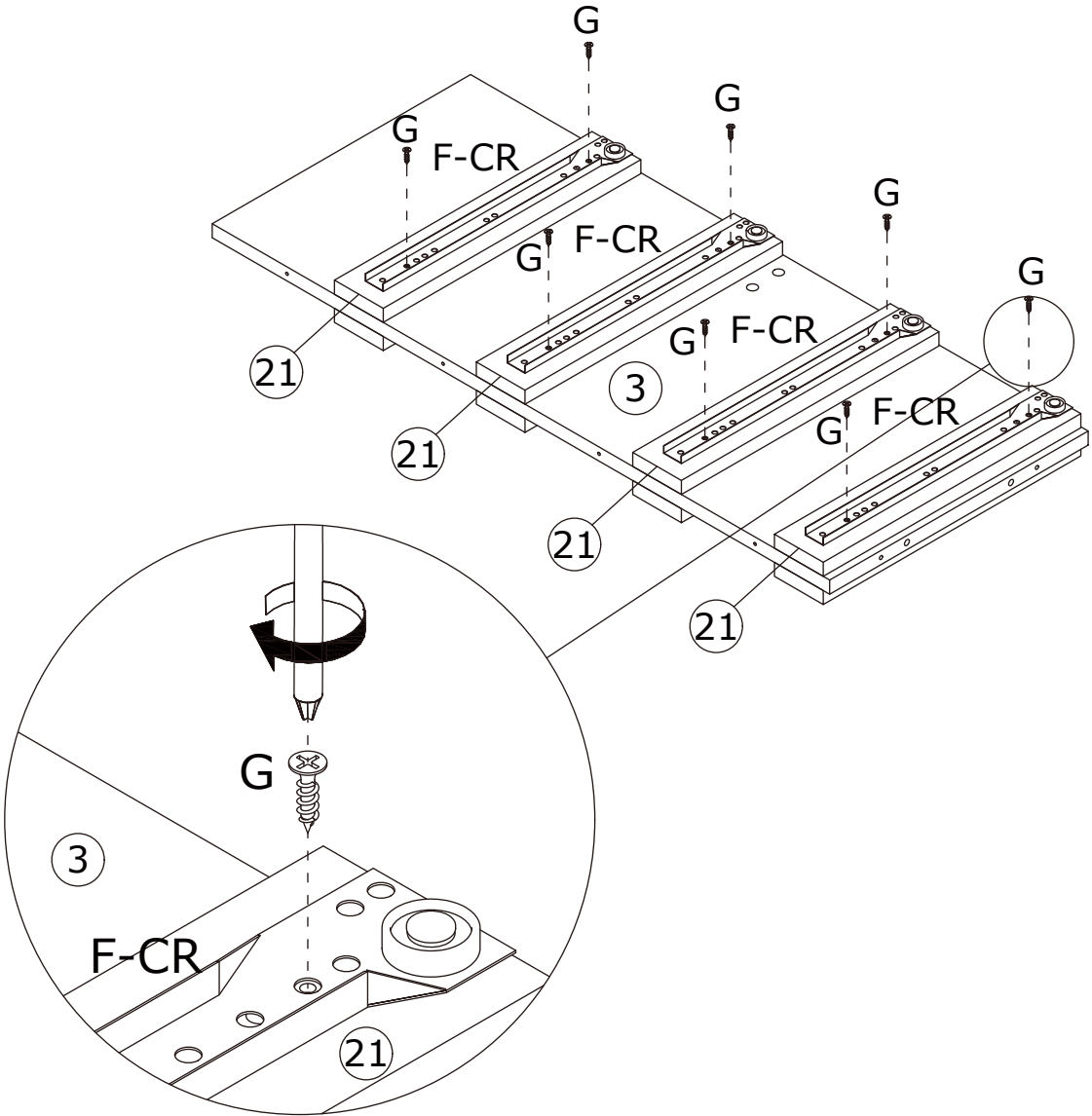
Insert dowels (J) into panel 21 as shown and use screws (K) to attach panel 21 to panel 3.



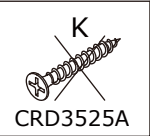
10

F x 4  WX1212A	G x 8  CRD3520A	
	G  CRD3520A	K  CRD3525A
		

Secure the slide (F-CR) to panel 21 using screws (G) as shown.
Note that there is no hole positions on panel 3 on this side.

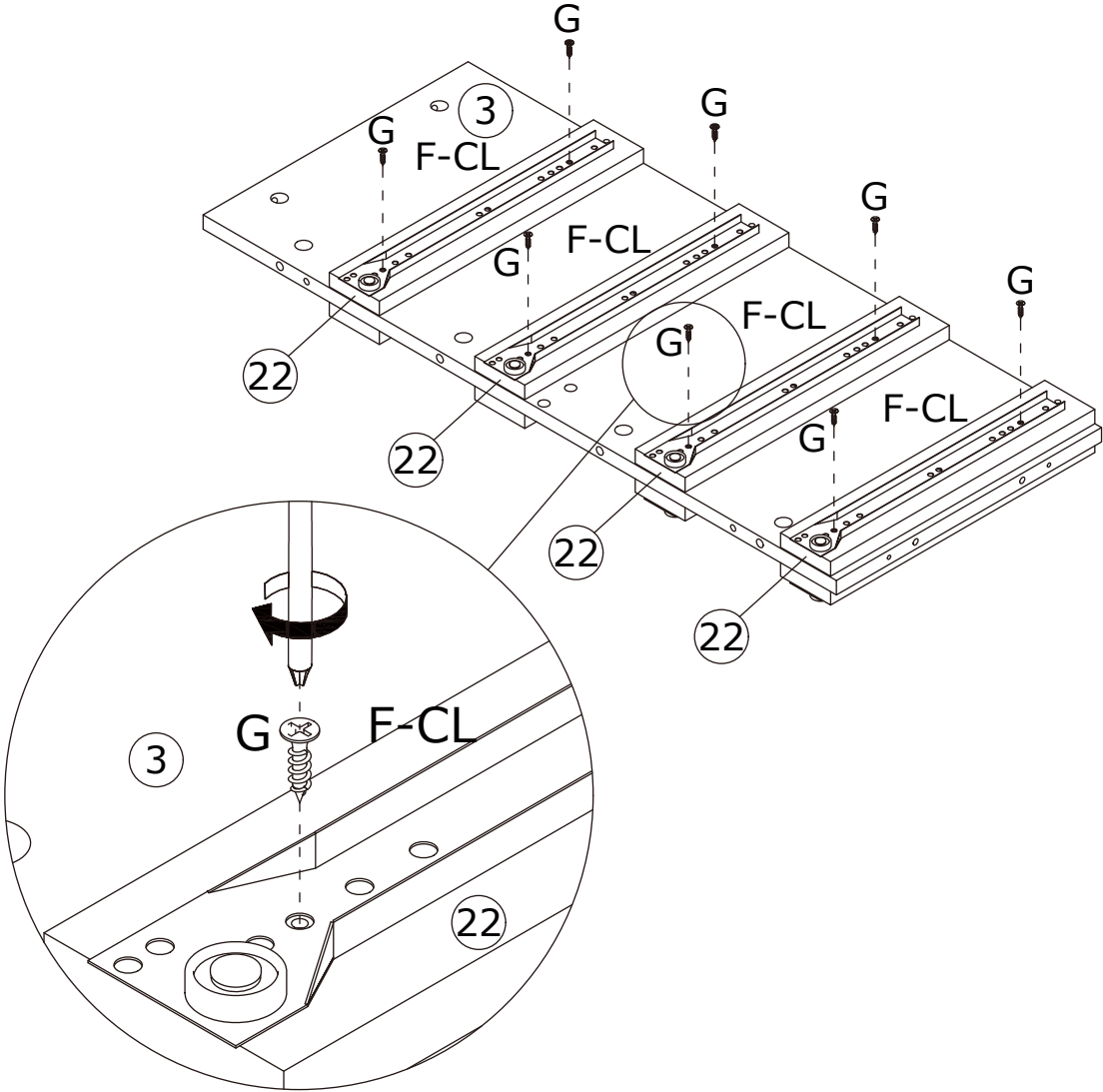


11

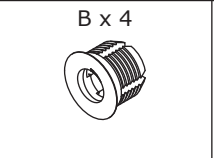


Secure the slide (F-CL) to the panel 22 using the screws (G) as shown.

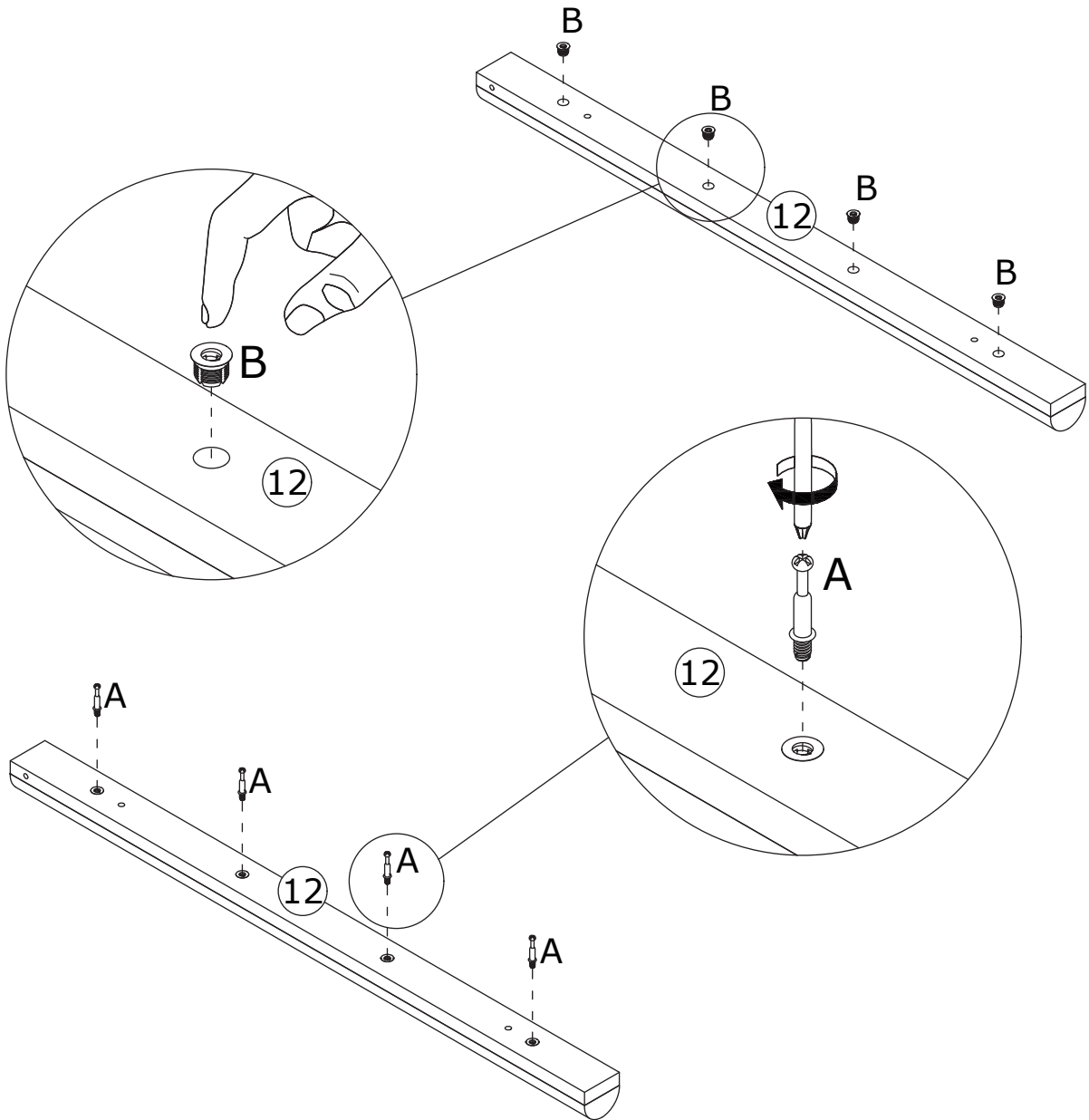
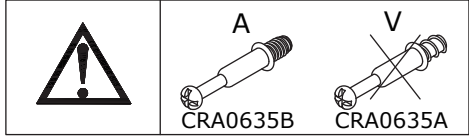
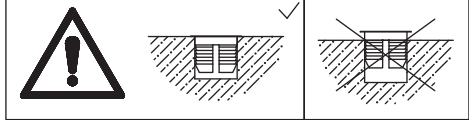
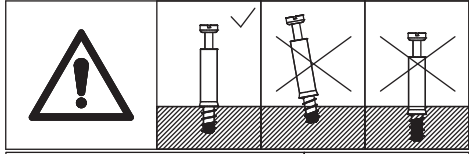
Note that there is hole positions on panel 3 on this side.



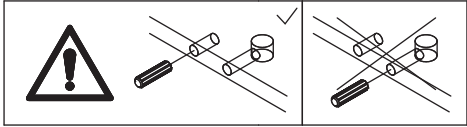
12



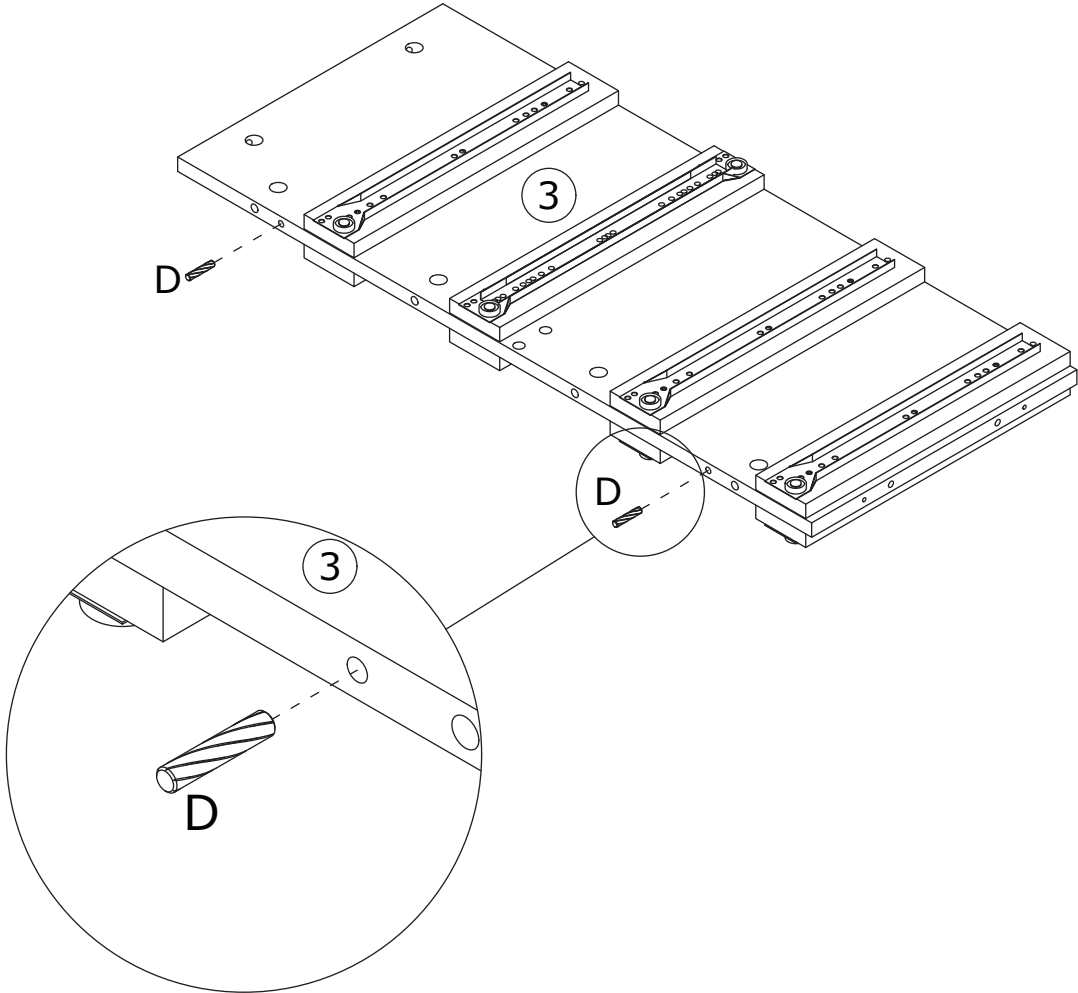
Add part (B) into panel 12 and screw self-tapping rod (A) into panel 12 as shown.



13

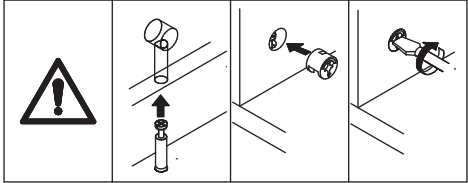
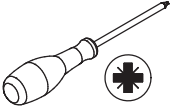


Insert the dowel (D) into panel 3 as shown.

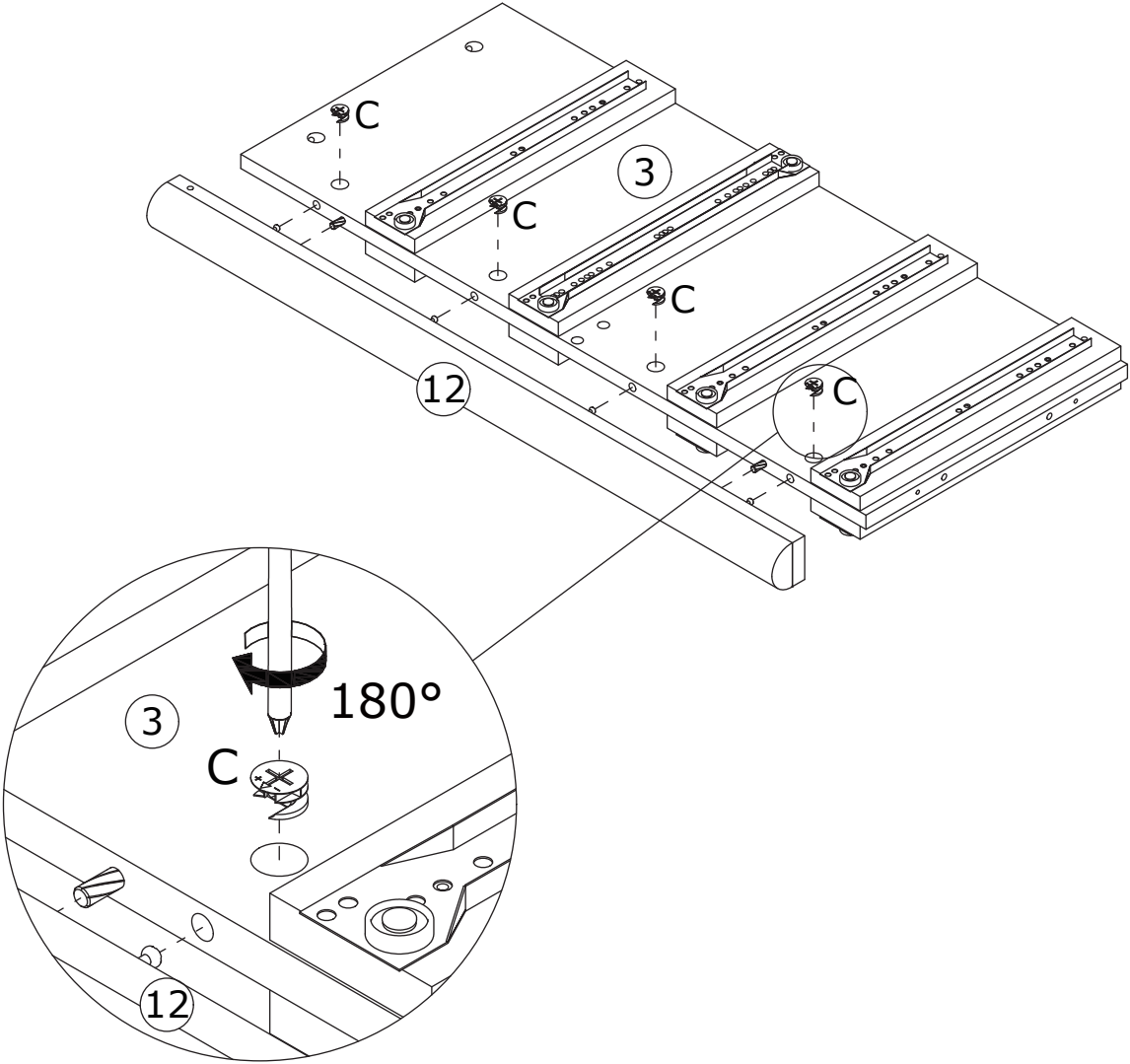


14

C x 4
CRB1595A

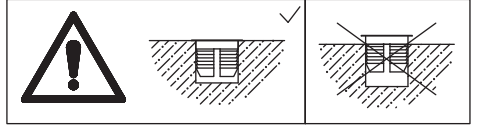


Attach panel 12 to panel 3 as shown and add the eccentric wheel (C) to tighten in clockwise rotation.

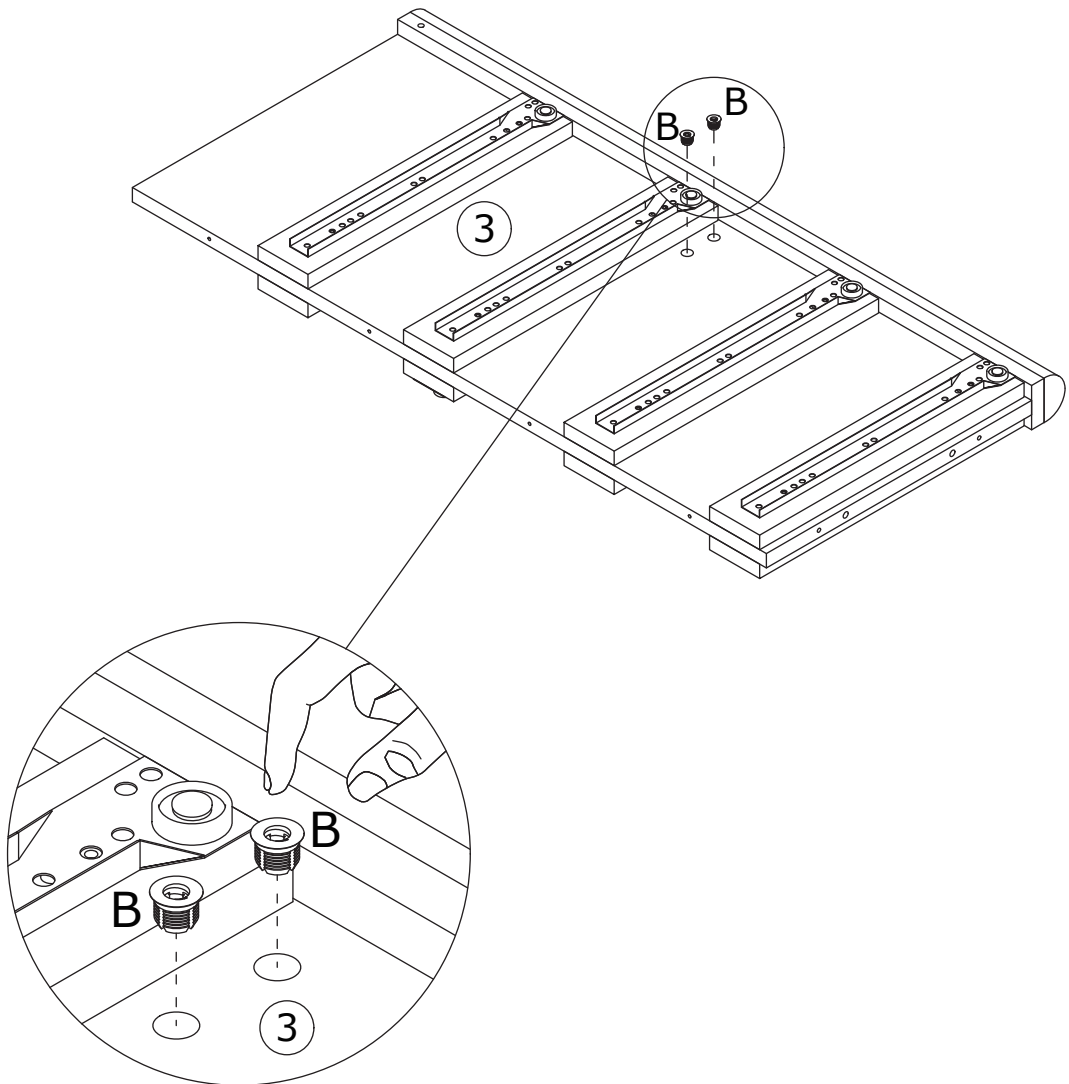


15

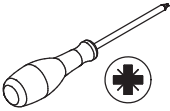
B x 2



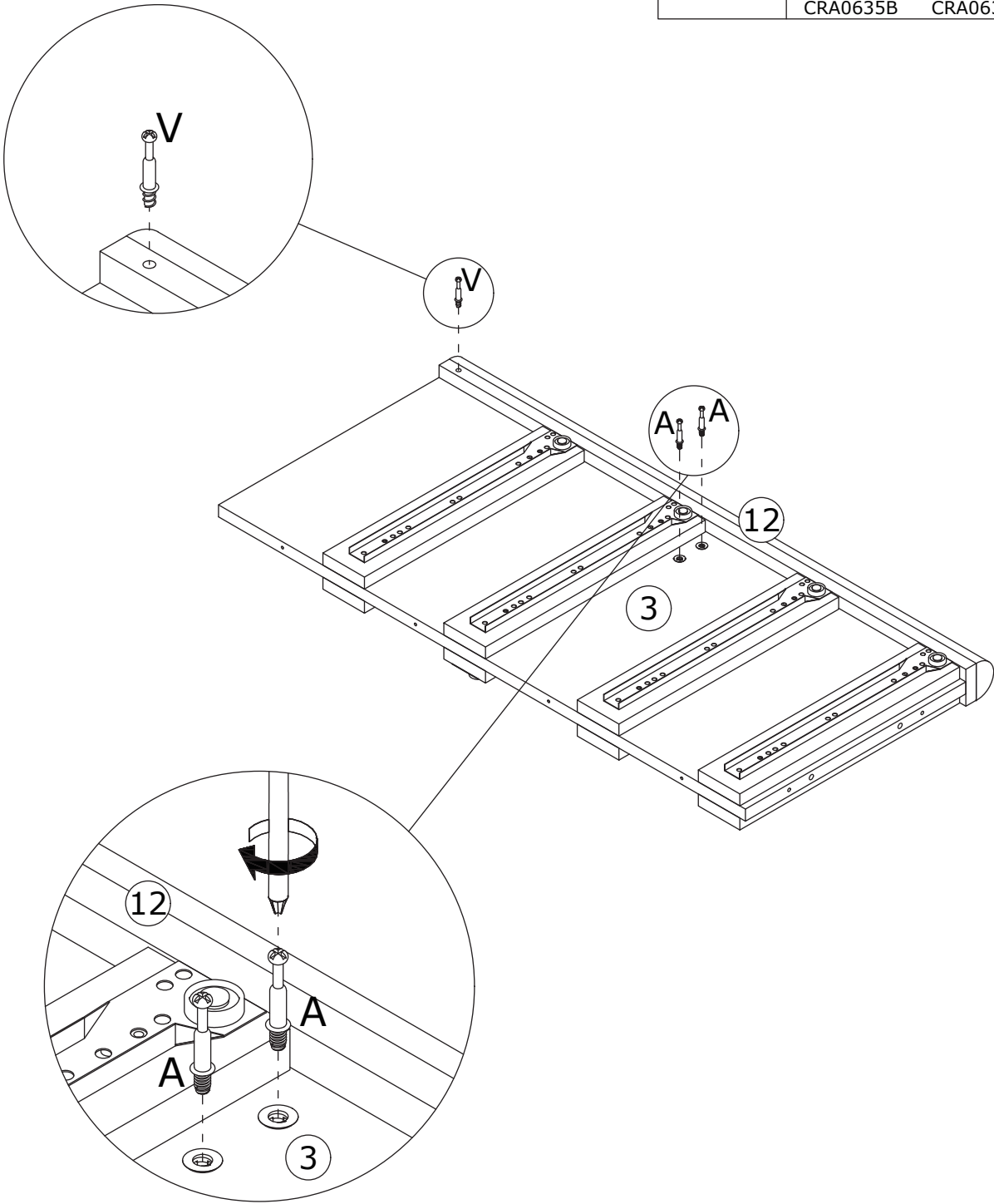
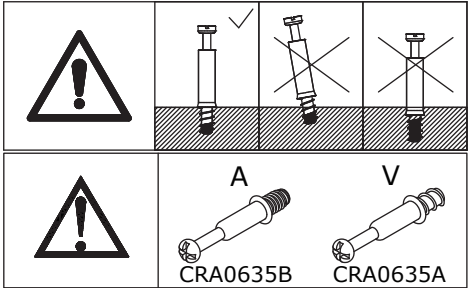
Add part (B) to panel 3 as shown.



16

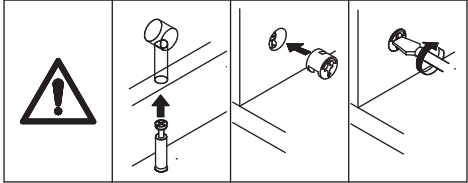
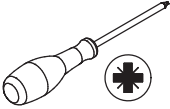


Screw self-tapping rod (A) into panel 3 and self-tapping rod (V) into panel 12 as shown.

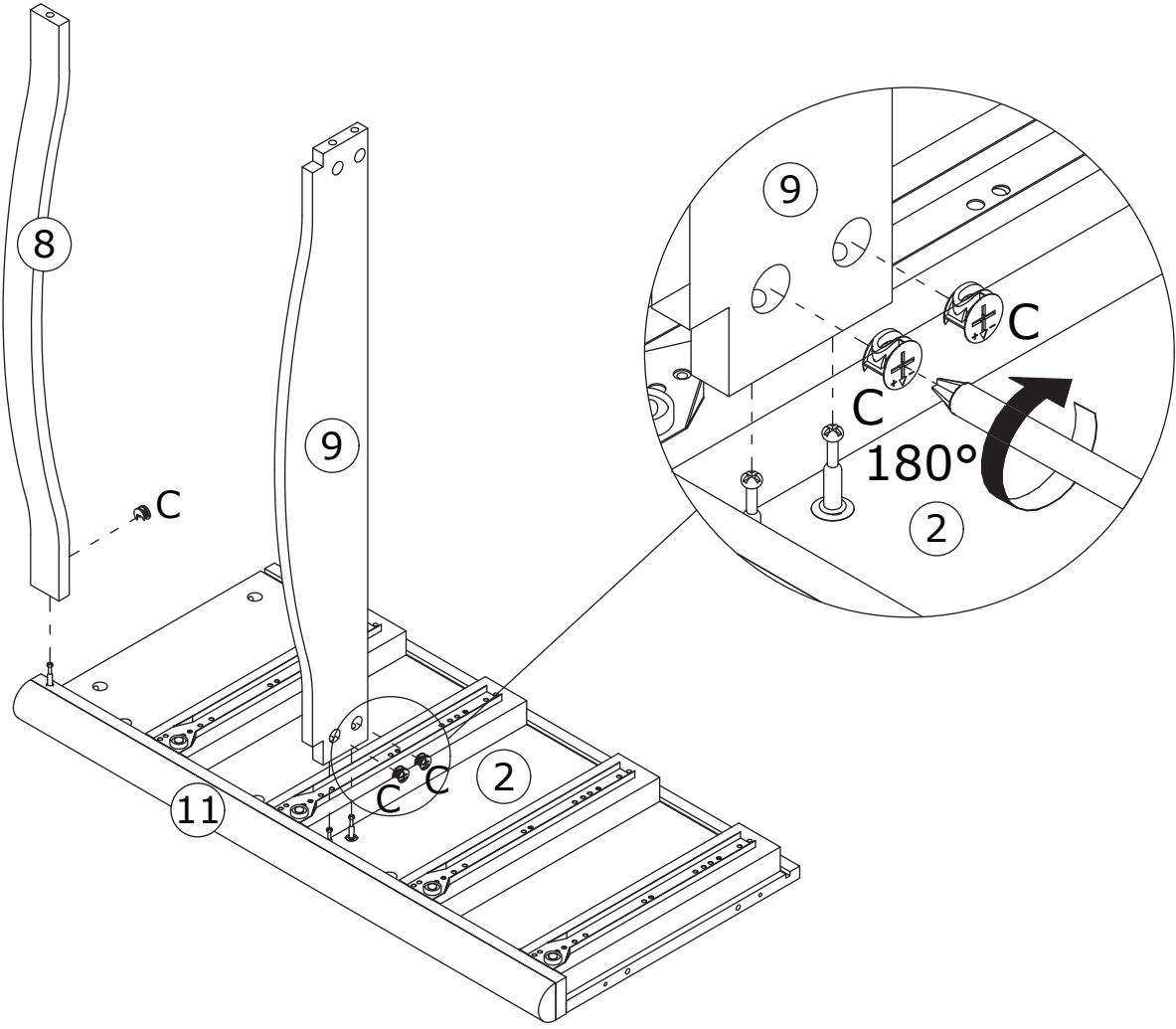


17

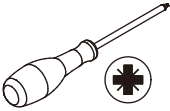
C x 3
CRB1595A



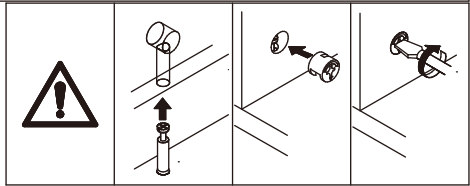
Connect panel 8 to panel 11, panel 9 to panel 2, and add the eccentric wheel (C) to tighten in clockwise rotation.



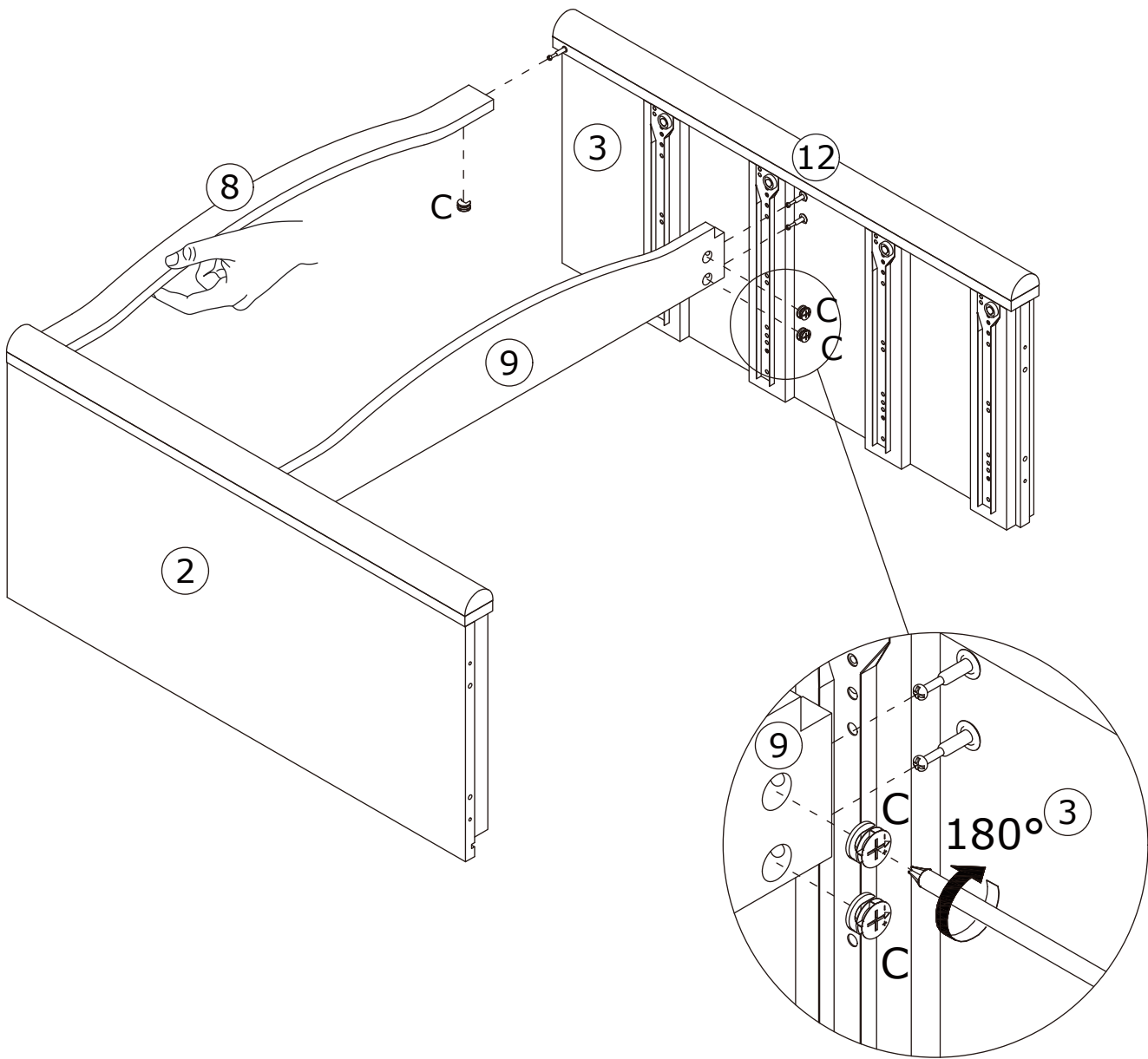
18



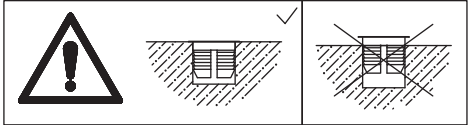
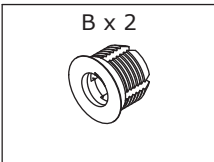
Connect panels 8 and 9 to panels 12 and 3, and add the eccentric wheel (C) to tighten in clockwise rotation.



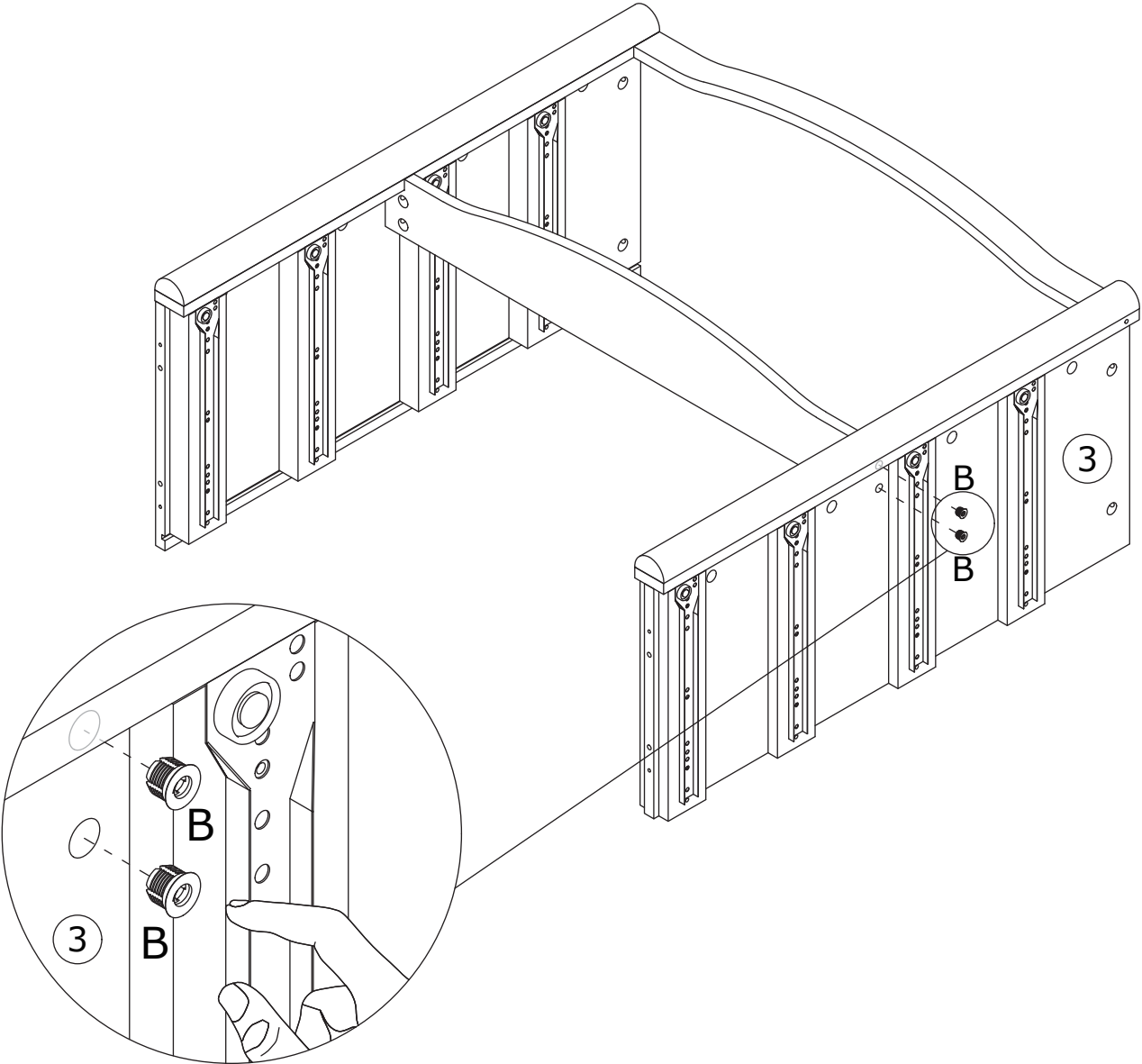
When installing, please take care to prevent plate No. 8 from falling off.



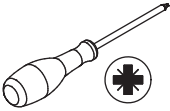
19



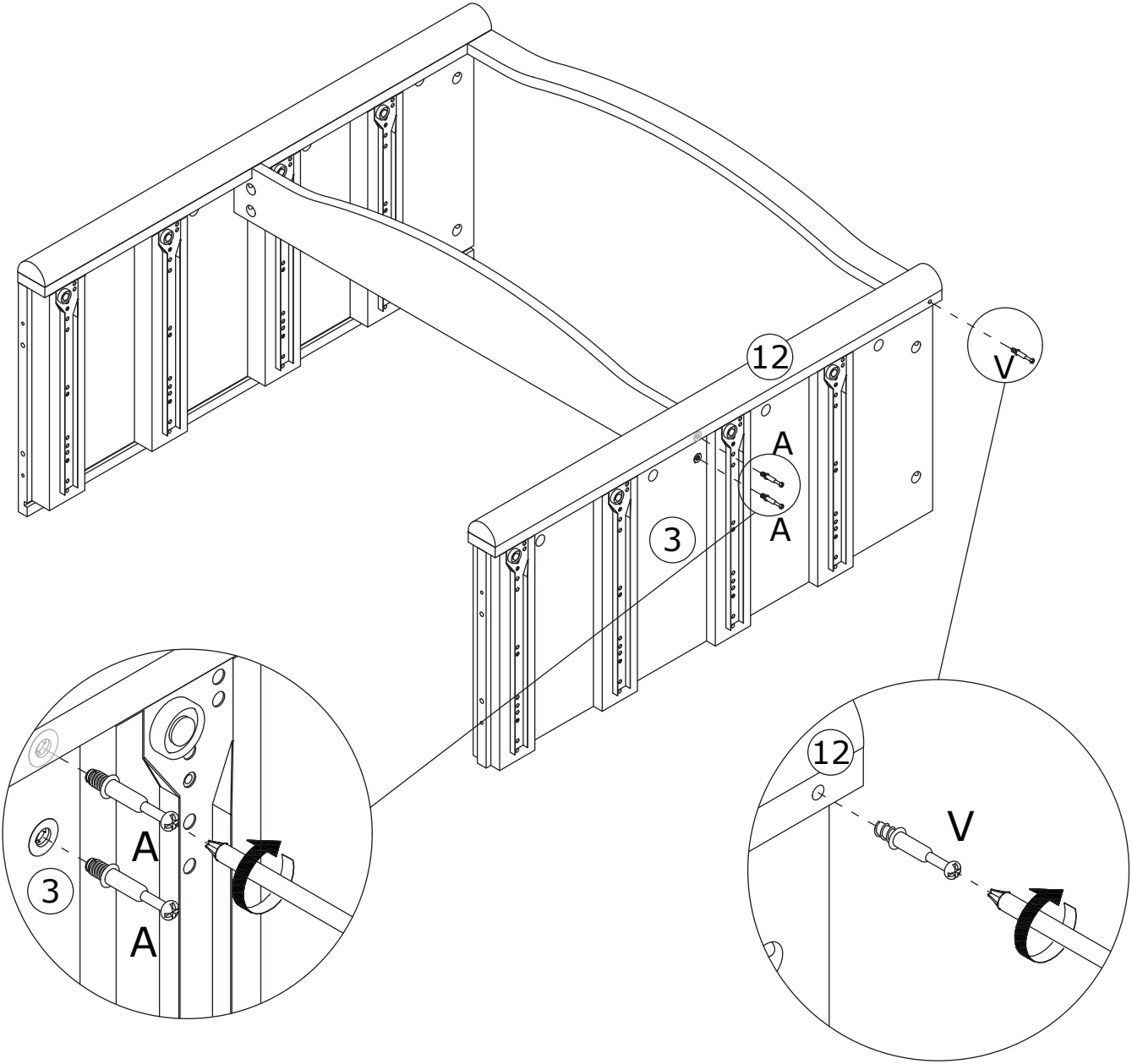
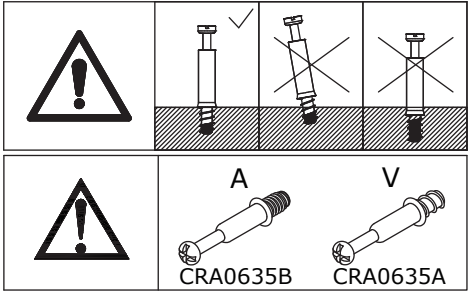
Add part (B) into panel 3 as shown.



20

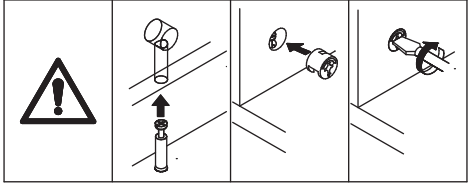
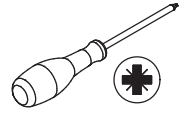


Screw self-tapping rod (A) into panel 3 and self-tapping rod (V) into panel 12 as shown.

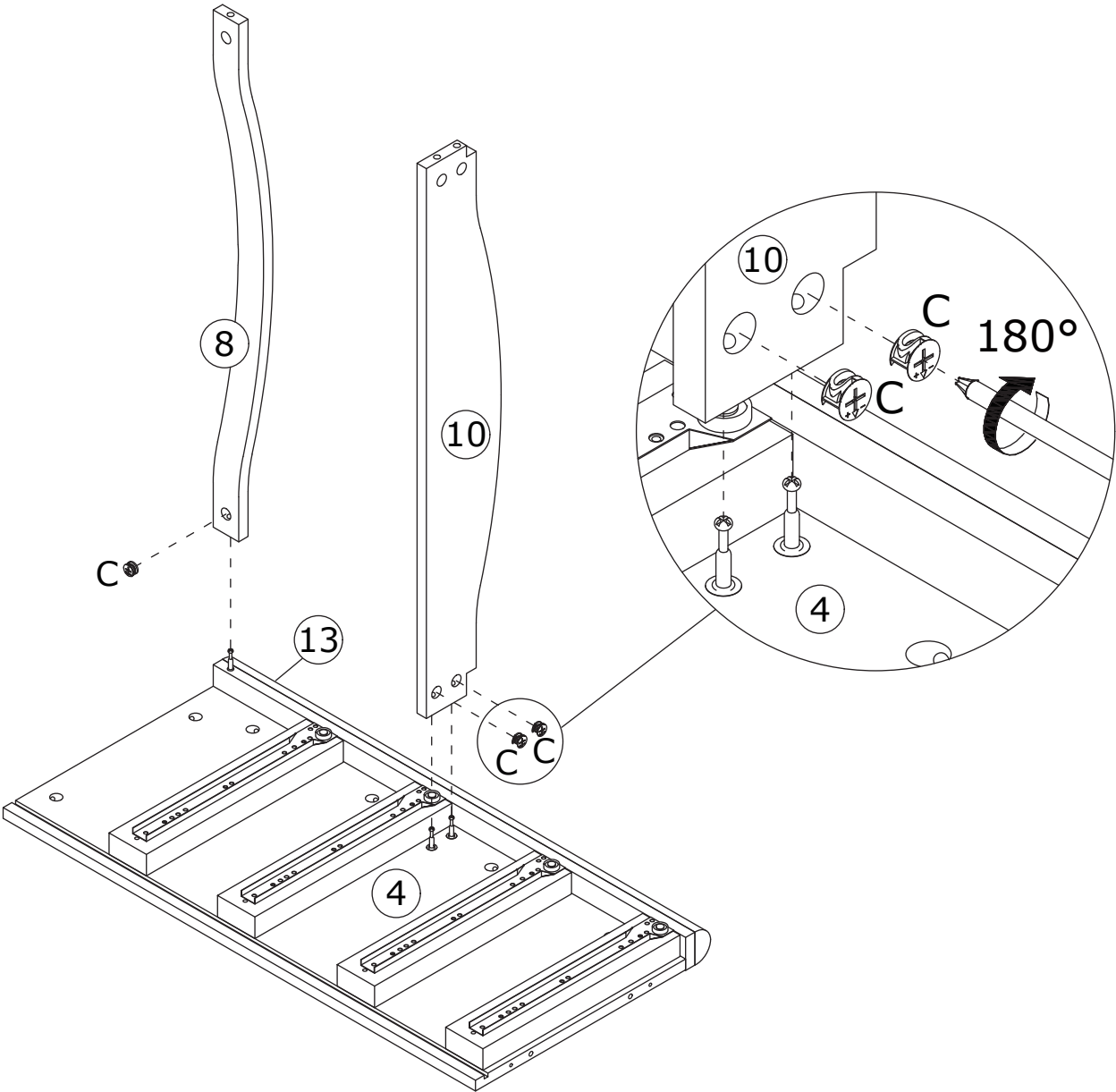


21

C x 3
CRB1595A

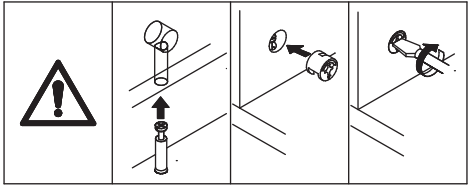
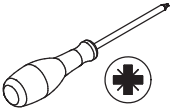


Connect panel 8 to panel 13, panel 10 to panel 4, and add the eccentric wheel (C) to tighten in clockwise rotation.

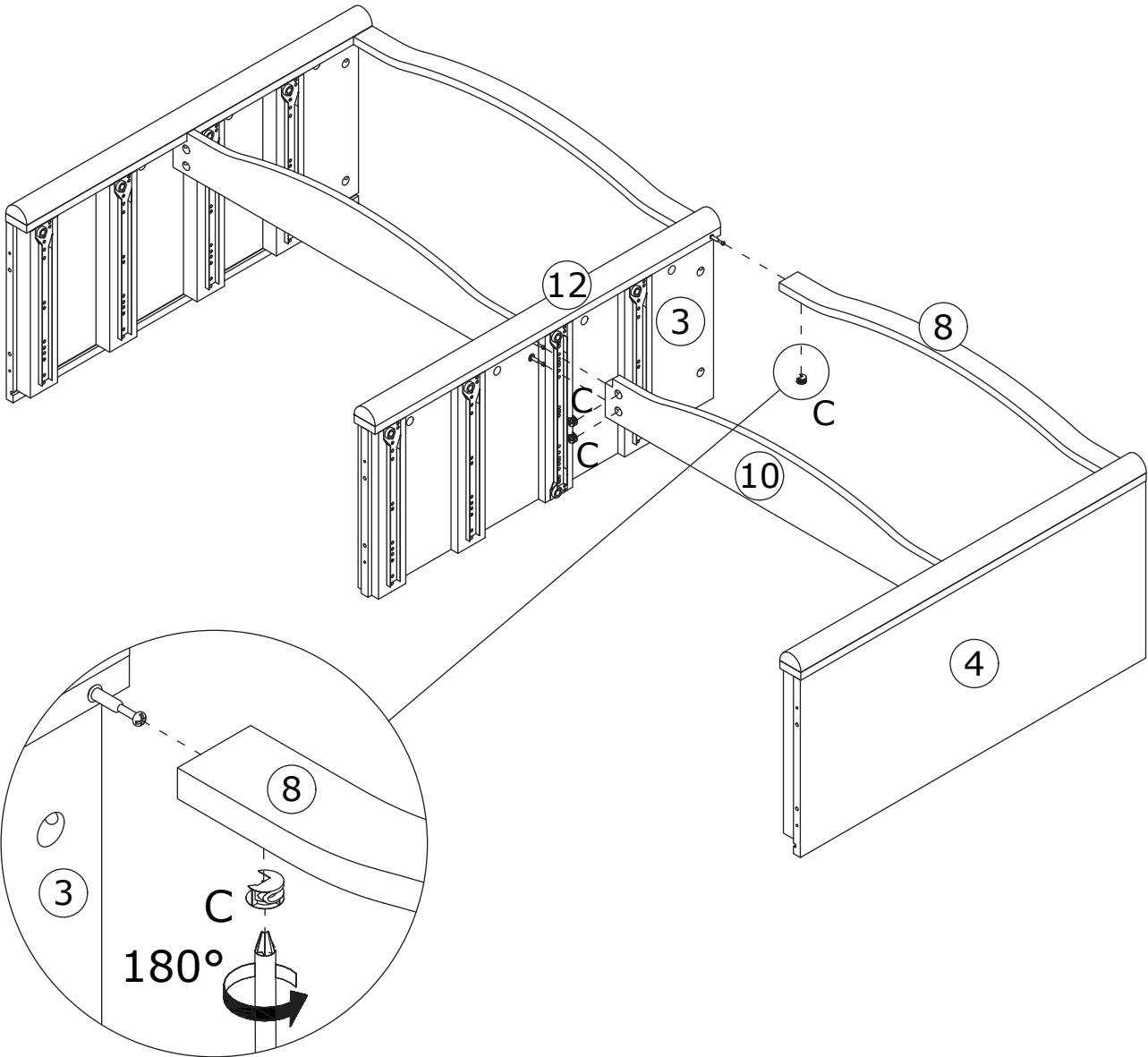


22

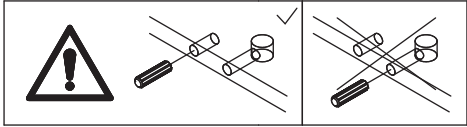
C x 3
CRB1595A



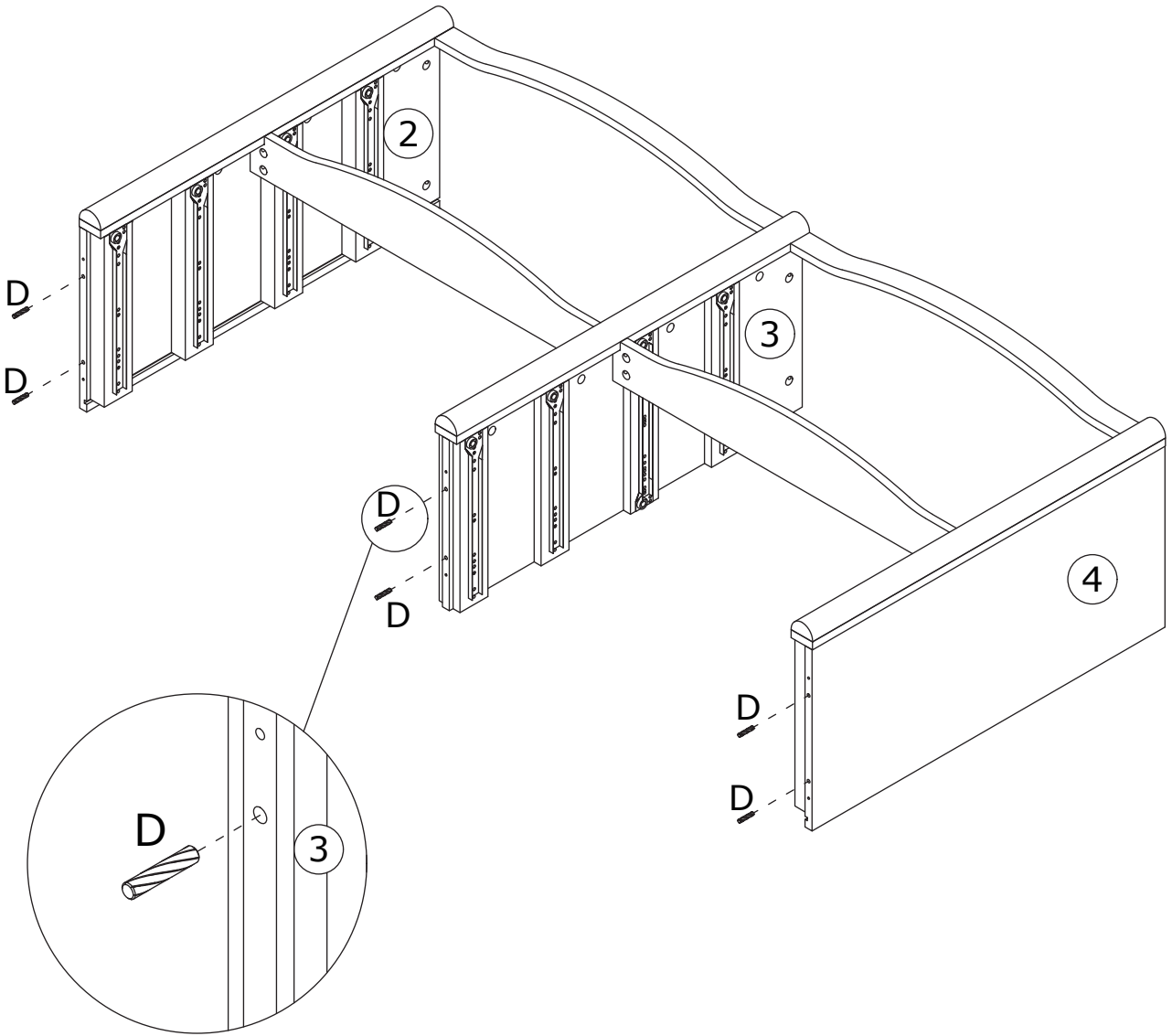
Connect panel 8 to panel 12, panel 10 to panel 3, and add the eccentric wheel (C) to tighten in clockwise rotation.



23

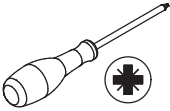


Insert dowels (D) into panels 2, 3 and 4 as shown.

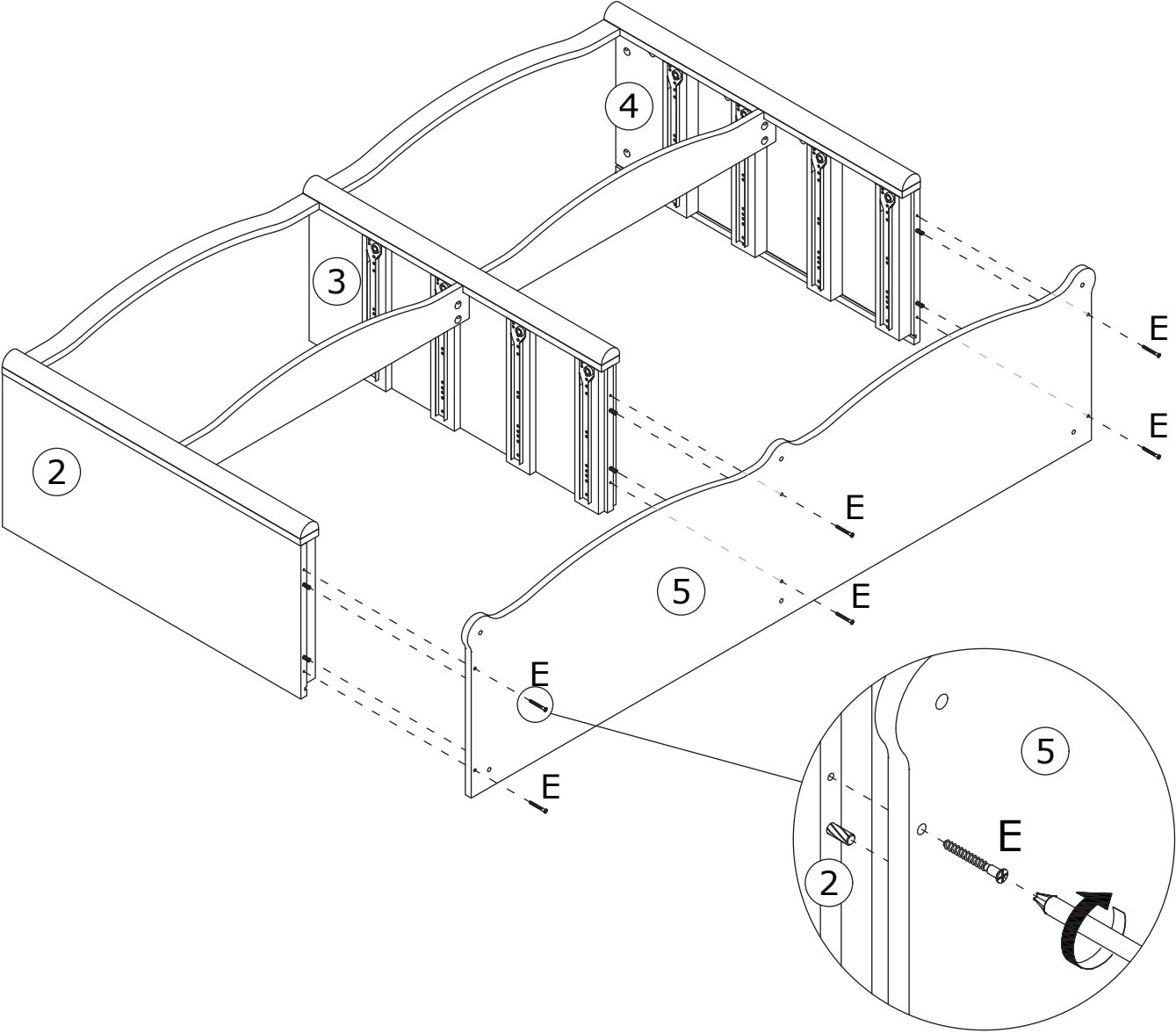


24

E x 6
CRC0540A



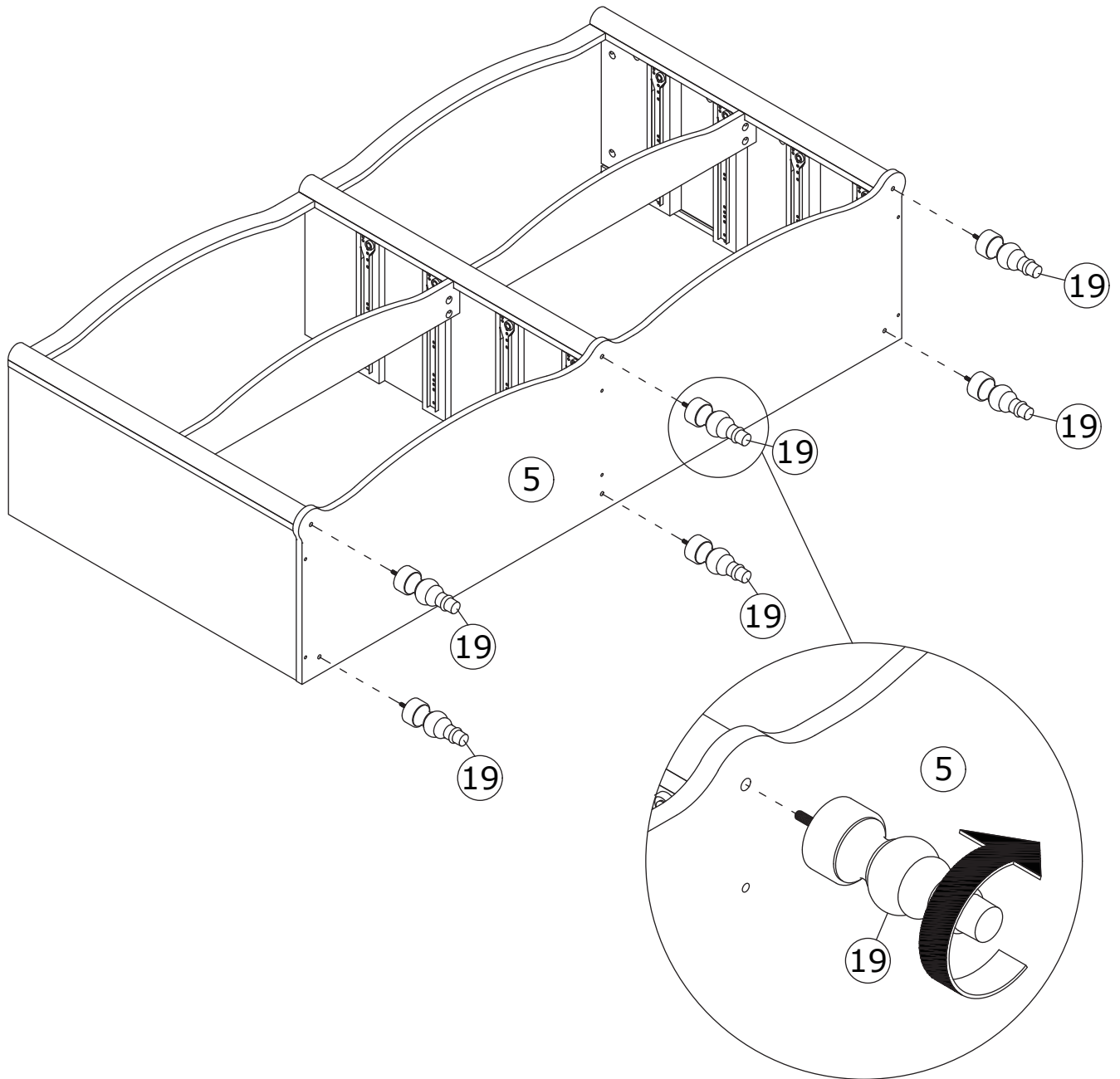
Attach panel 5 to the mounting unit using screws (E) as shown.



25

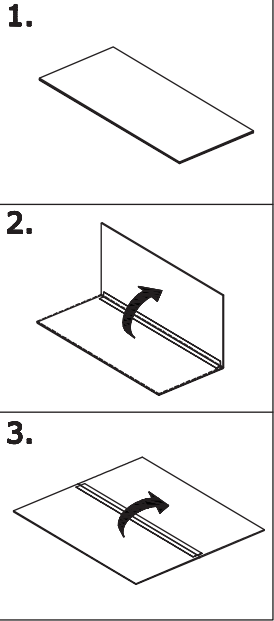
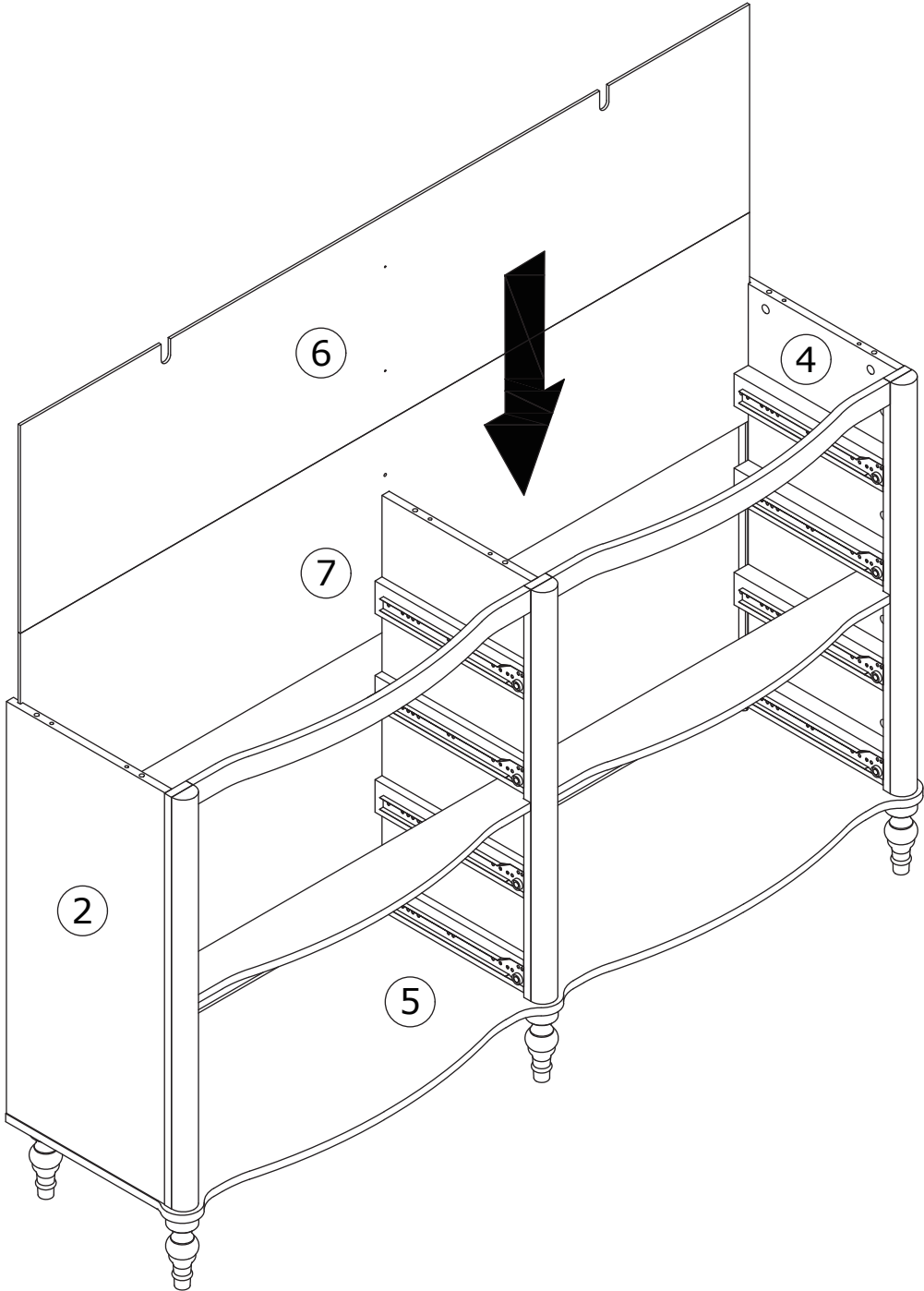


Screw legs 19 into panel 5 as shown.

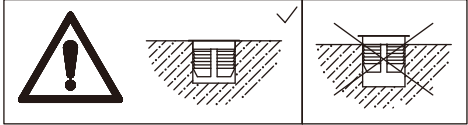
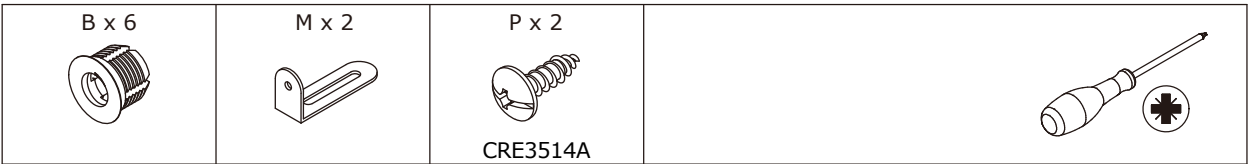


26

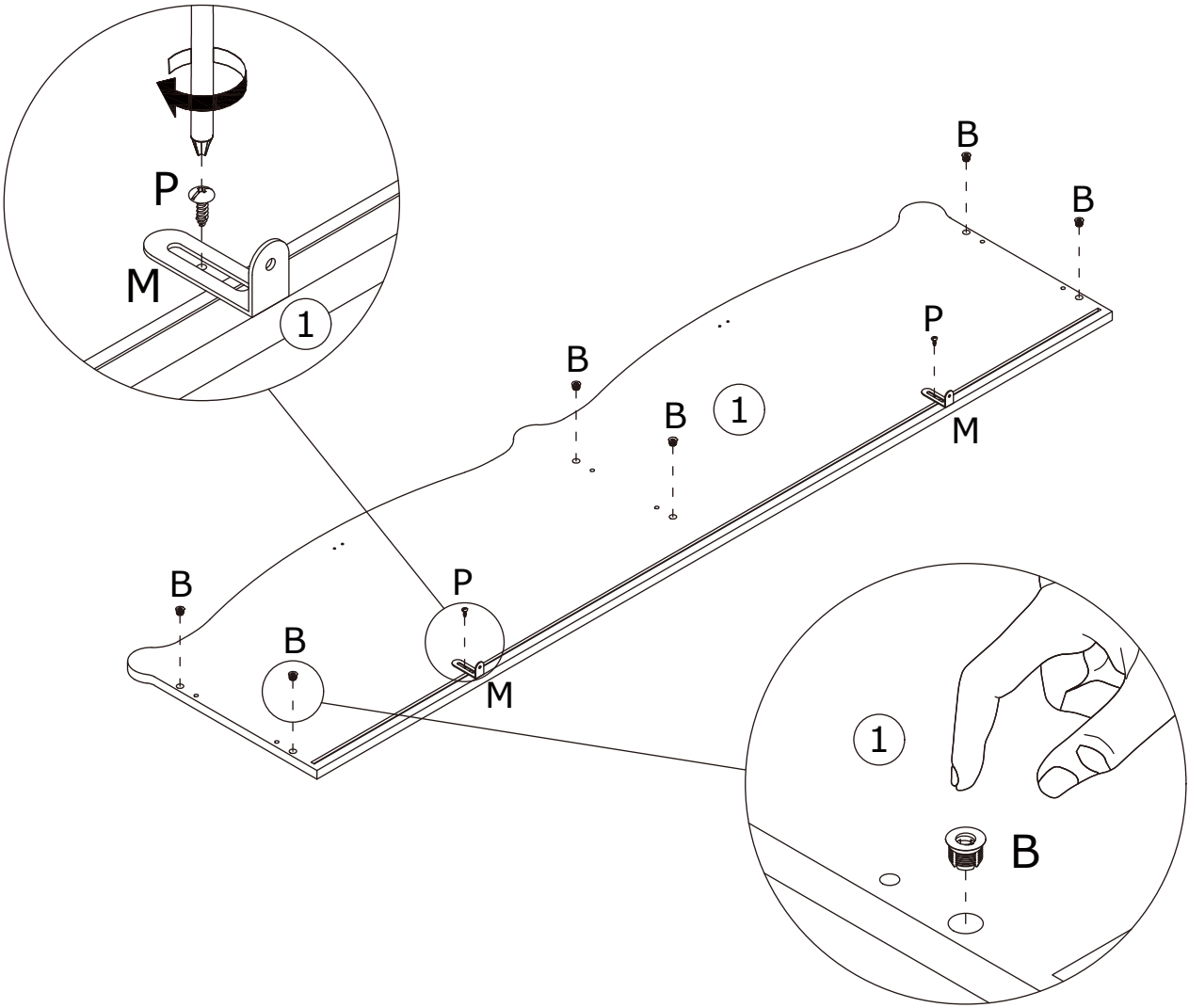
Insert panels 6 and 7 along the available slots as shown.



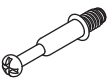

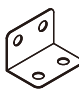
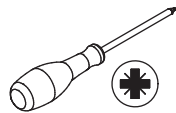
27


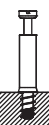



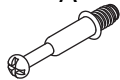
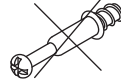

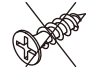



Add part (B) into panel 1, and use screws (P) to secure part (M).

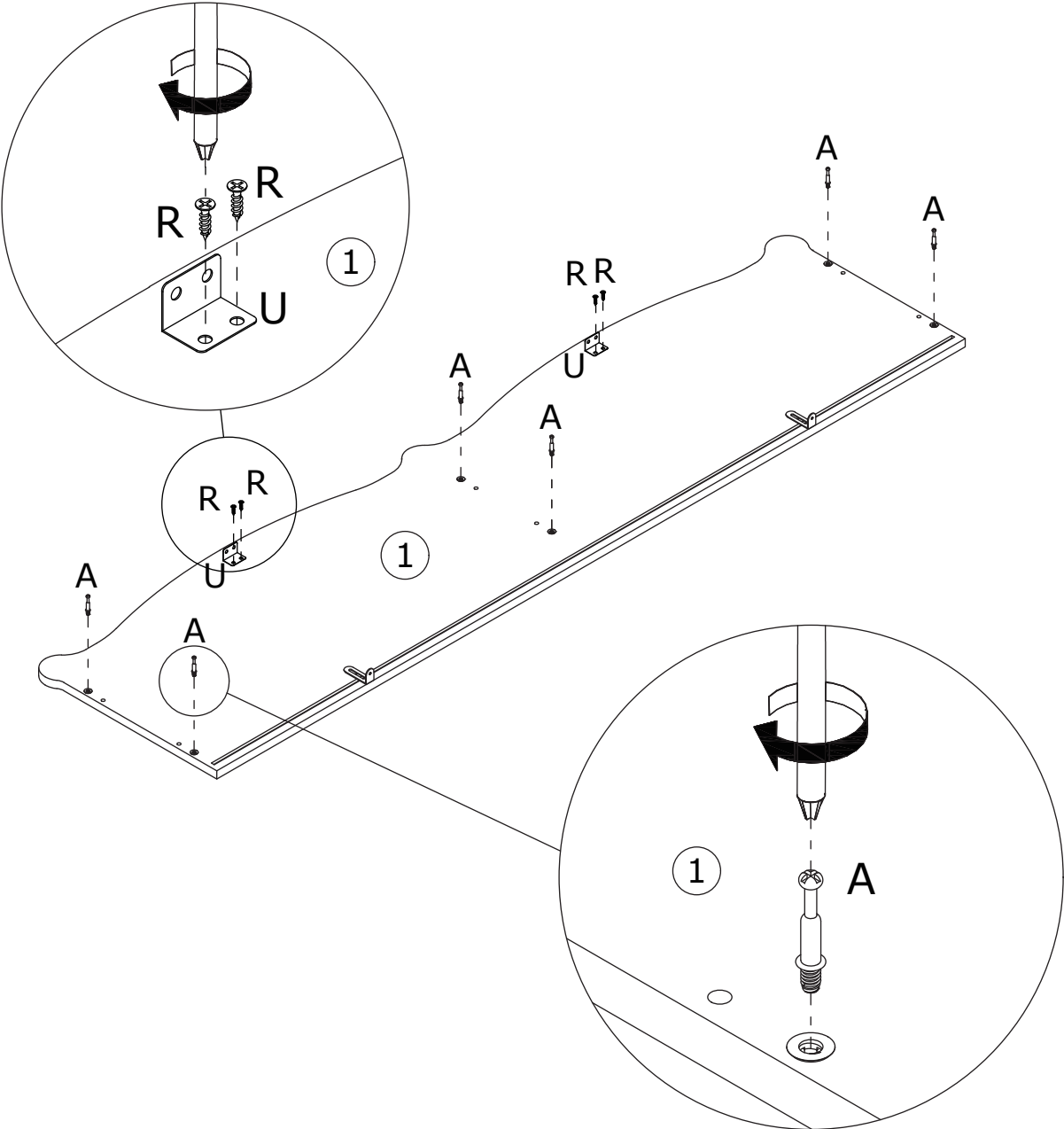


28

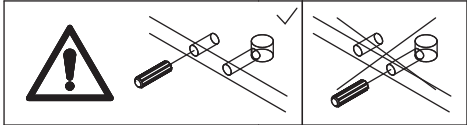
A x 6  CRA0635B	R x 4  CRD0314A	U x 2 	
--	--	--	---

			
	A  CRA0635B	V  CRA0635A	
	H  CRD3512A	R  CRD0314A	

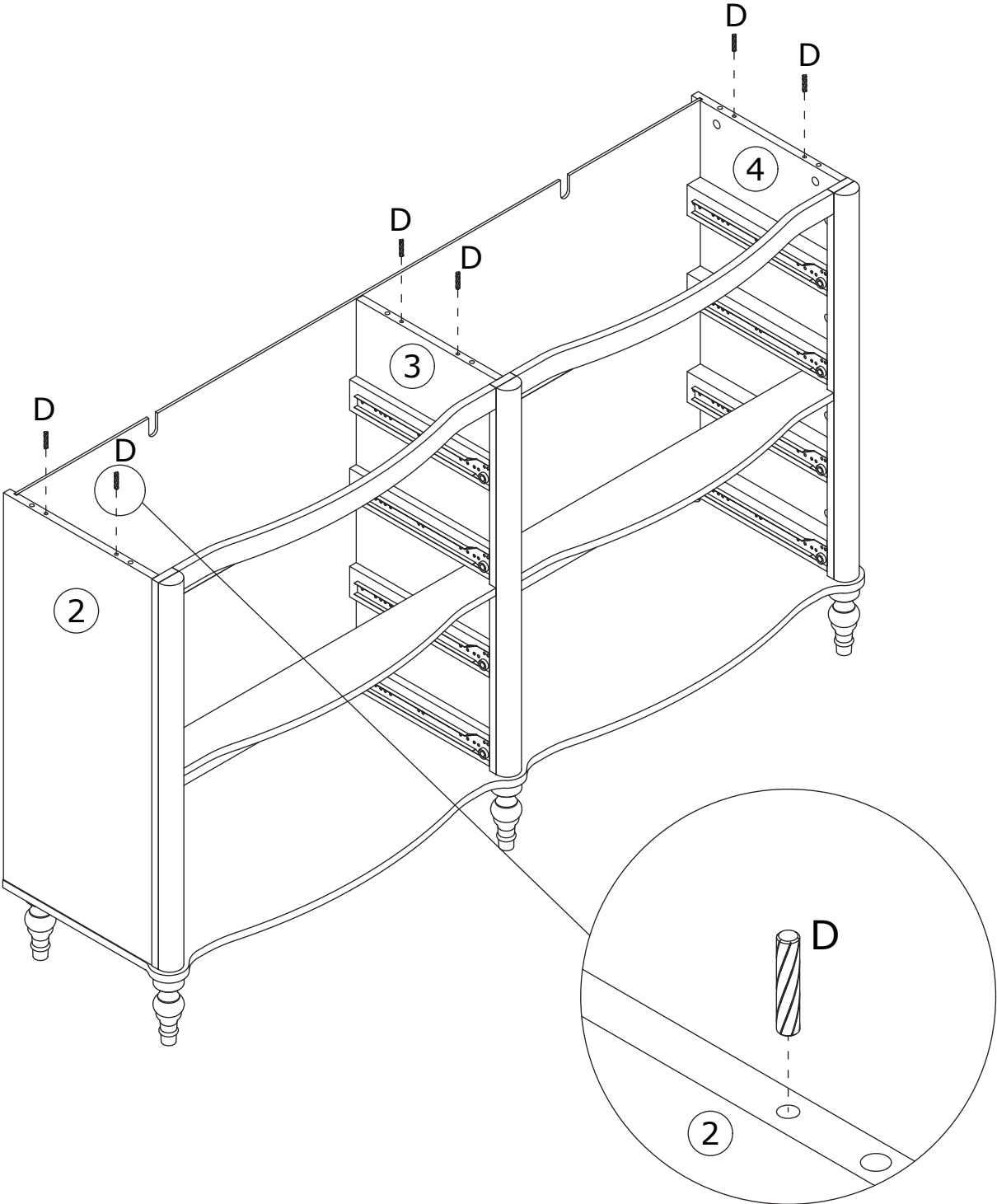
Screw the self-tapping rod (A) into panel 1 as shown.



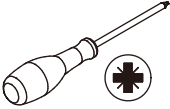
29



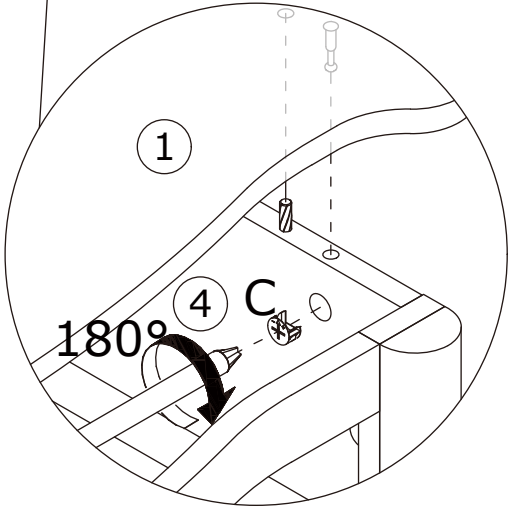
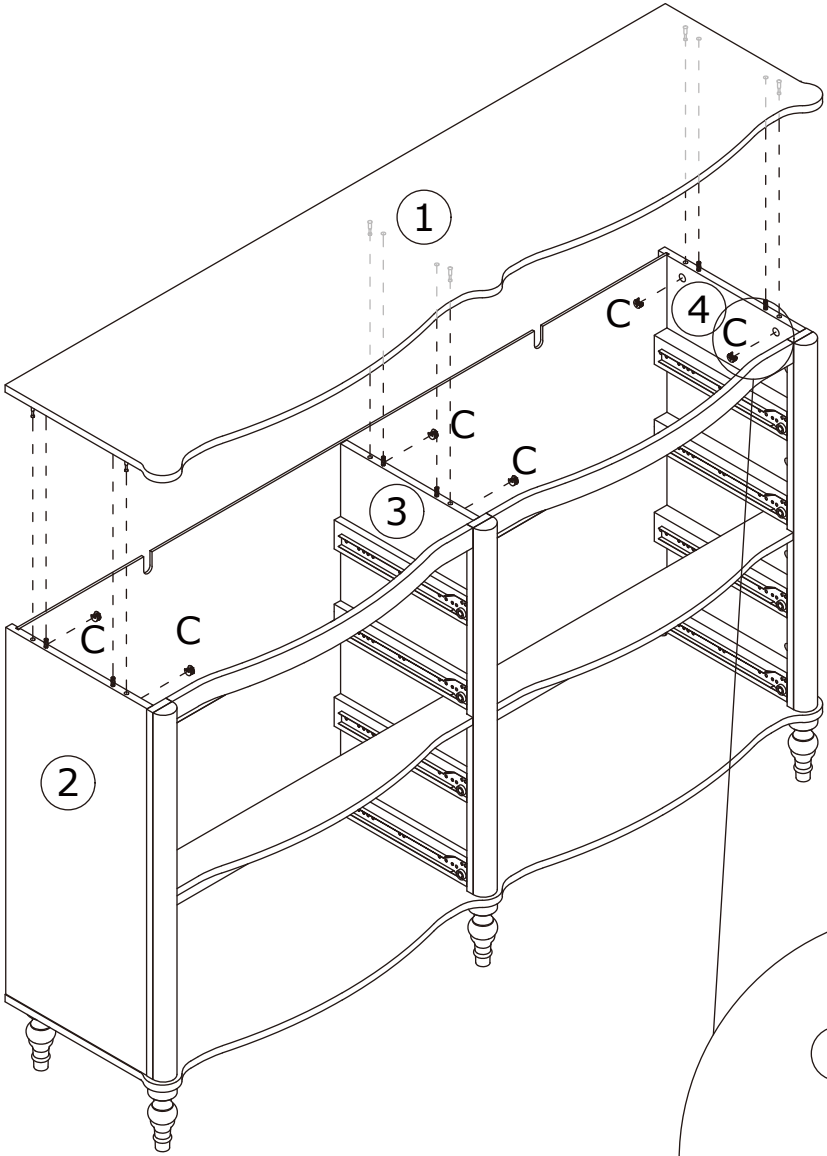
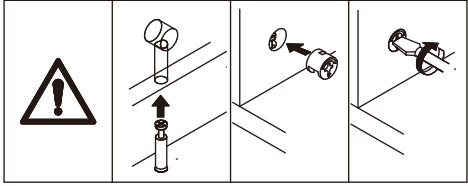
Insert dowels (D) into panels 2, 3 and 4 as shown.



30



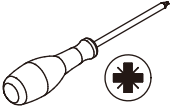
Attach panel 1 to the mounting unit, and add the eccentric wheel (C) to tighten it by turning it clockwise.
Use screws (R) to secure the part (U) to panel 1





31

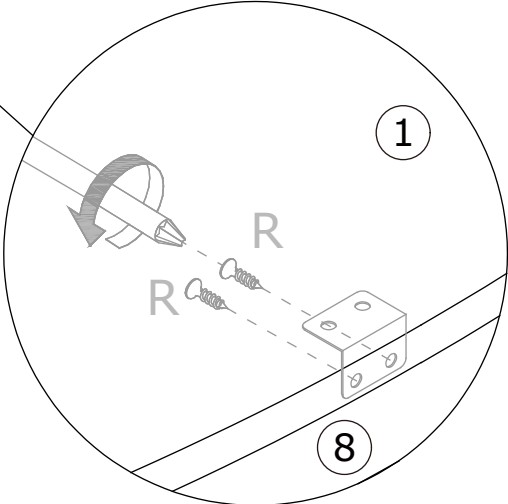
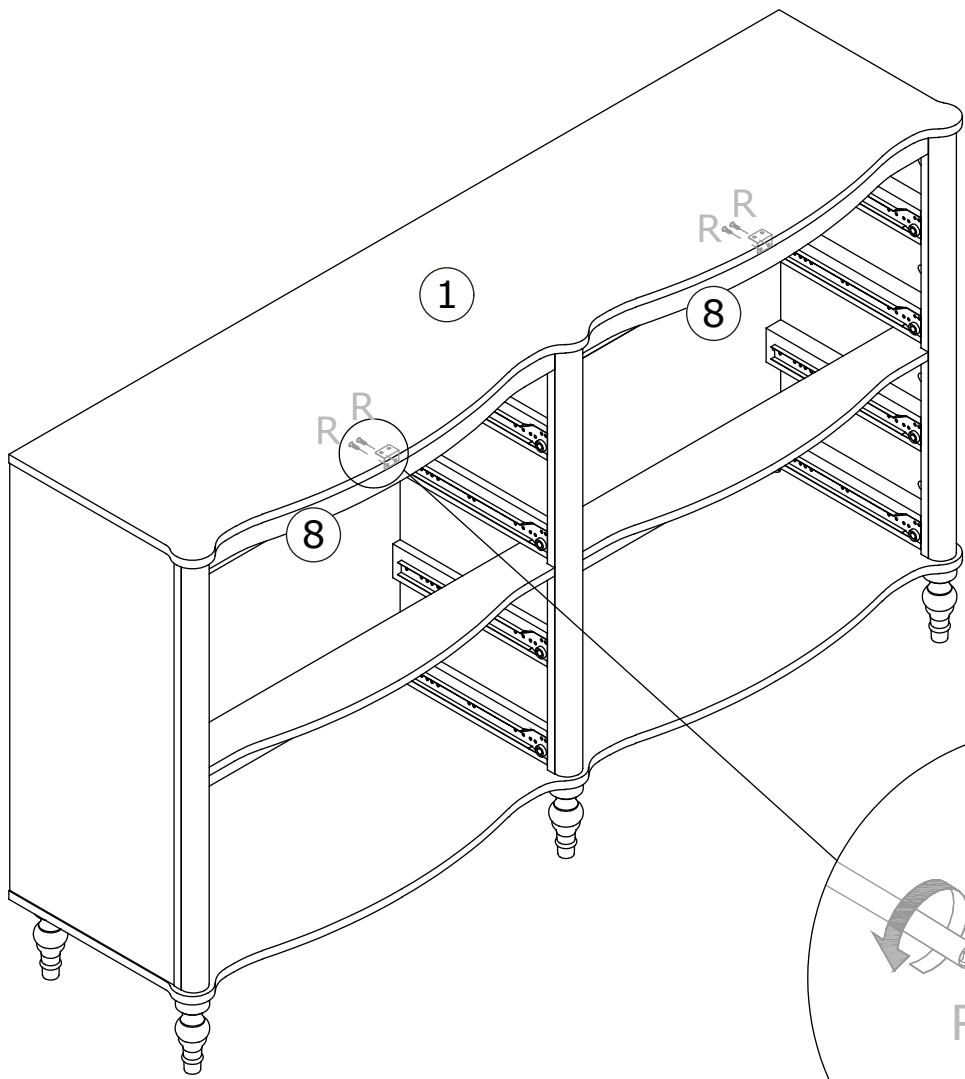
R x 4

CRD0314A

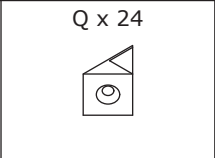


~~H~~
~~~~
CRD3512A

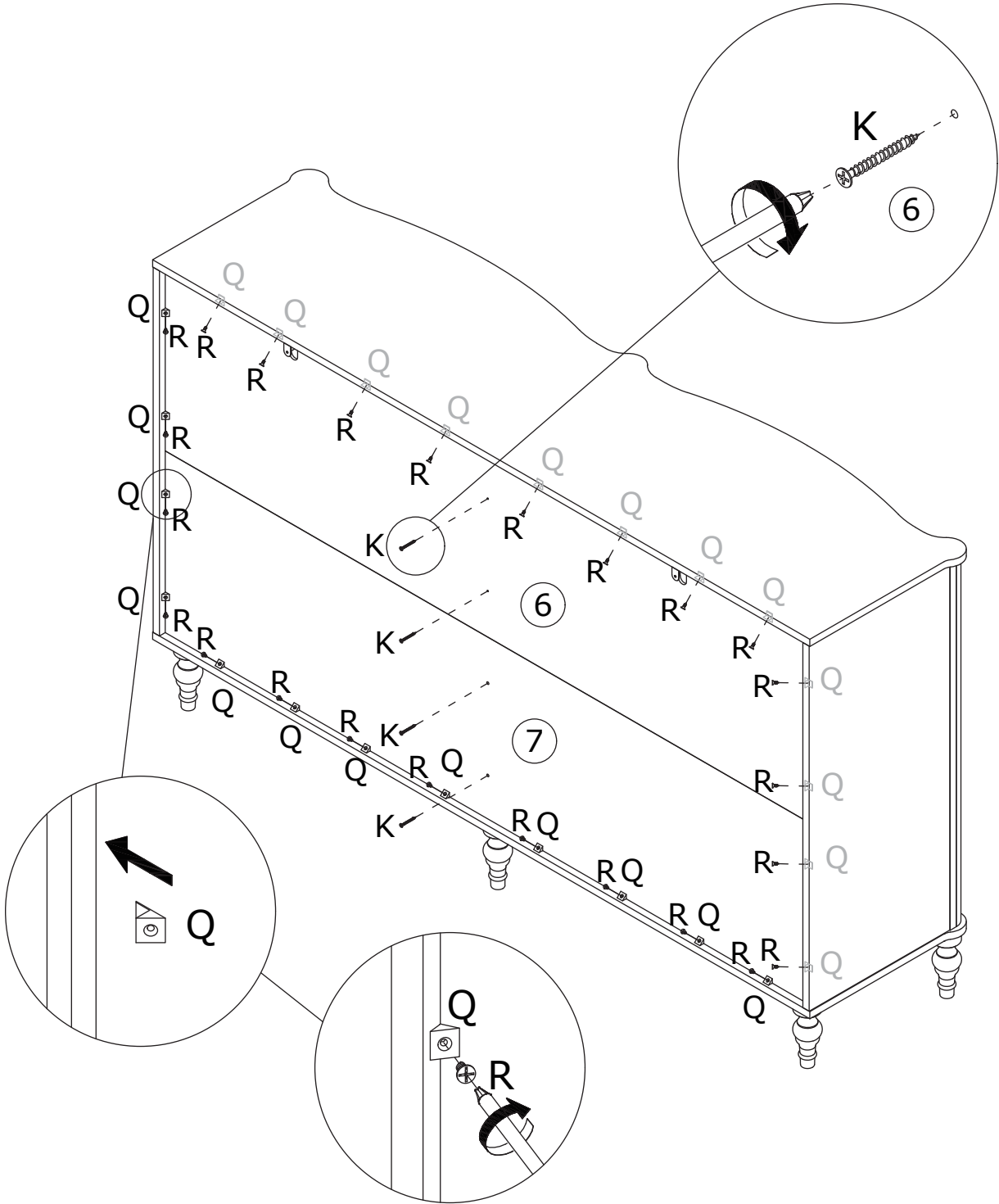
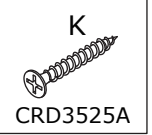
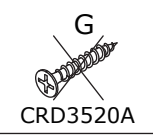
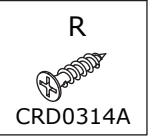
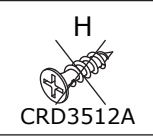
R

CRD0314A



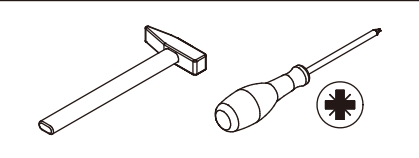
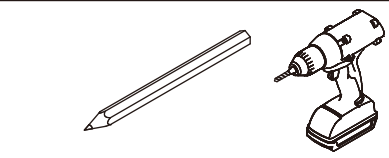
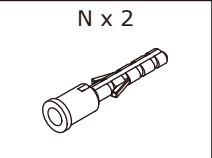
32



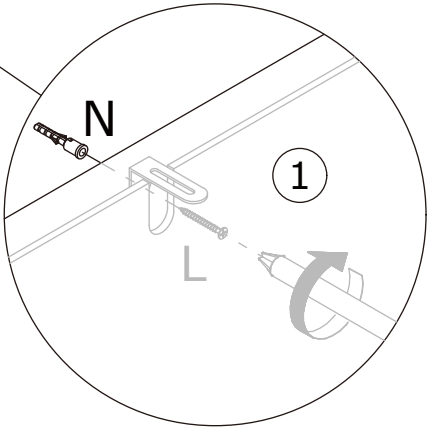
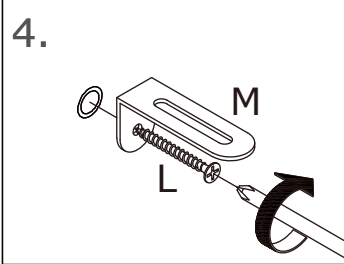
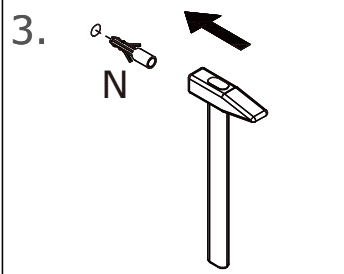
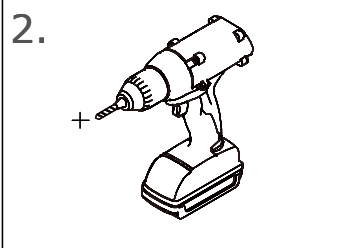
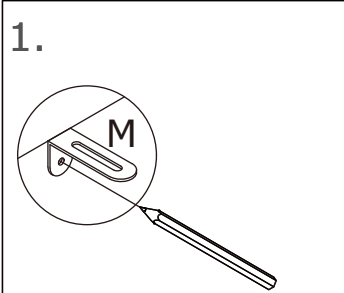
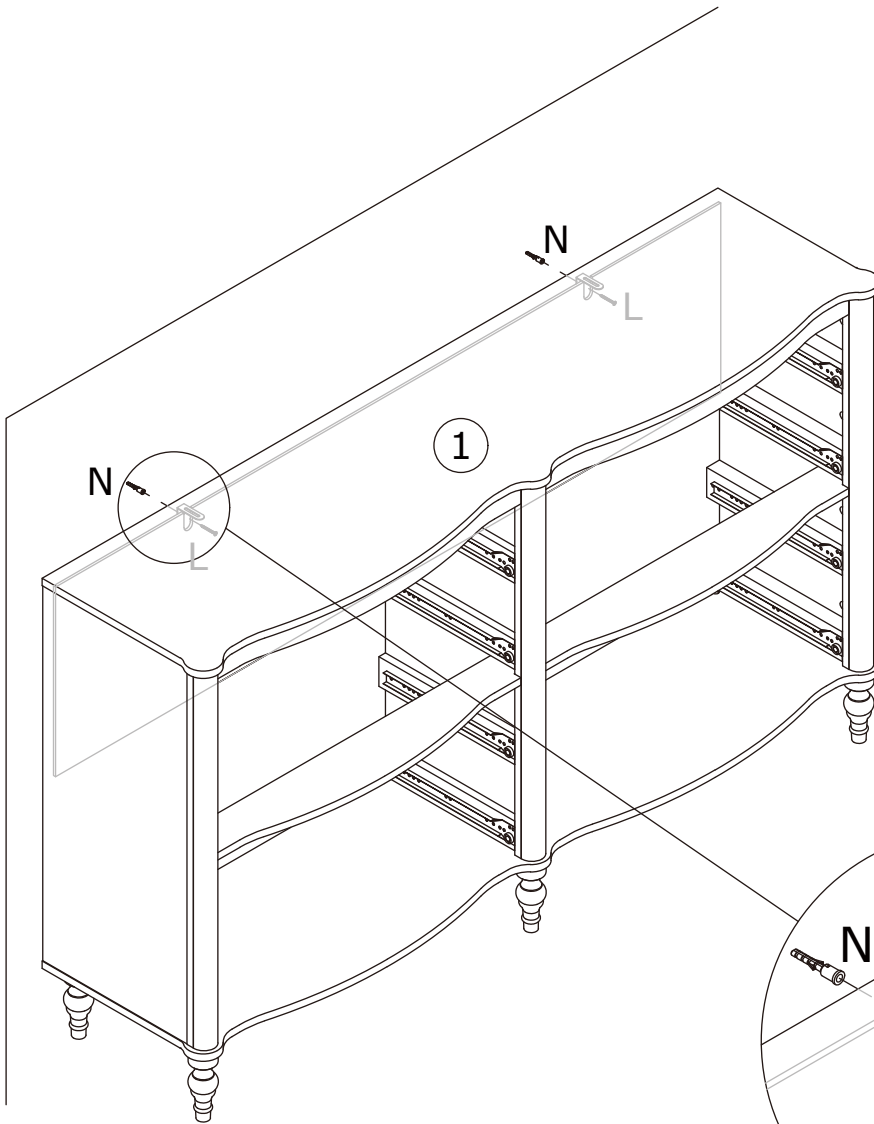
Insert parts (Q) into available slots and secure with screws (R) as shown. Use screws (K) to secure panels 6 and 7 to the mounting unit.



33

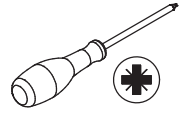


Install the anti-tip device as shown, following the instructions.

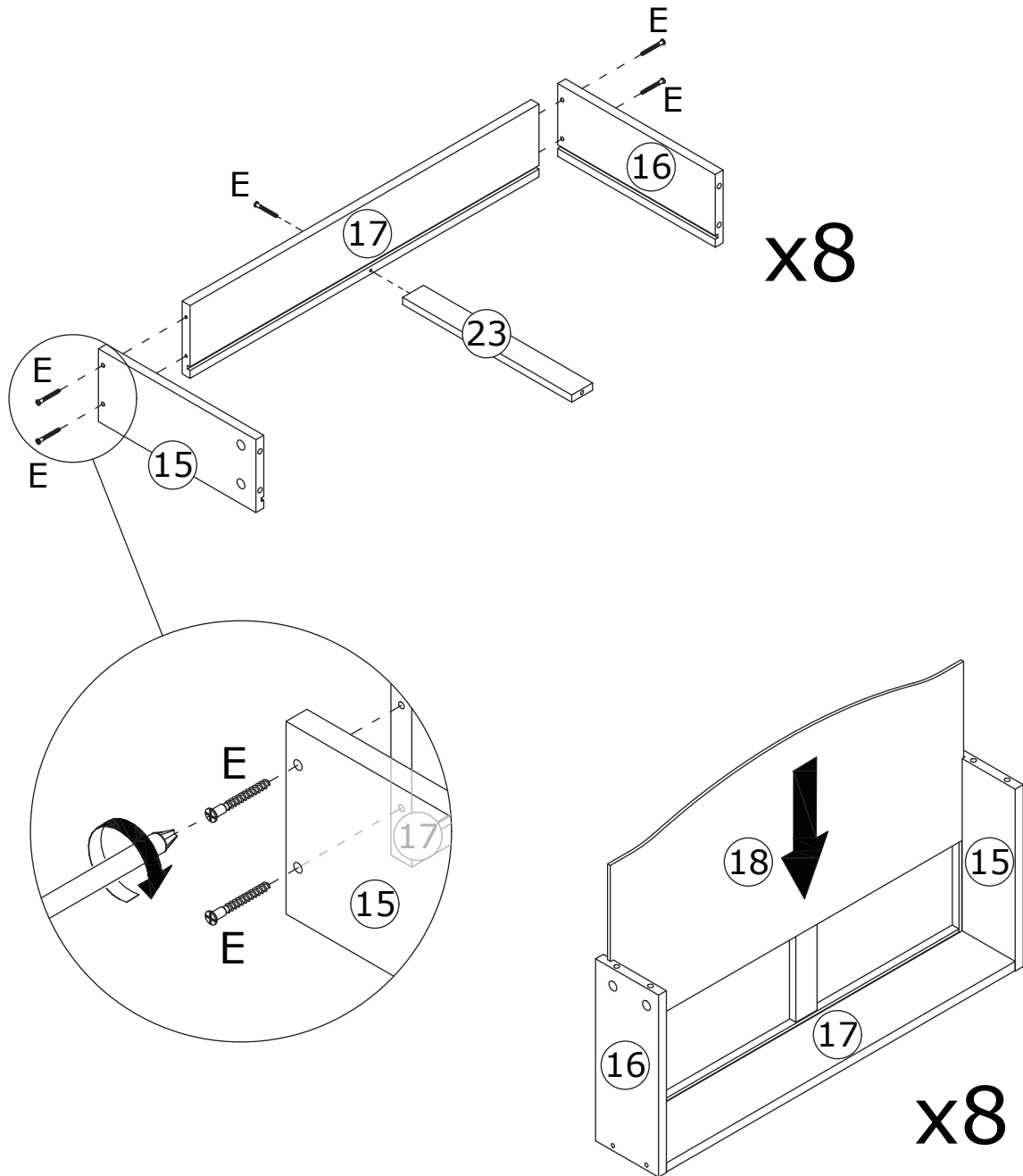


34

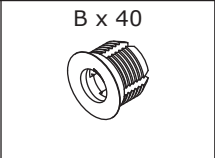
E x 40
CRC0540A



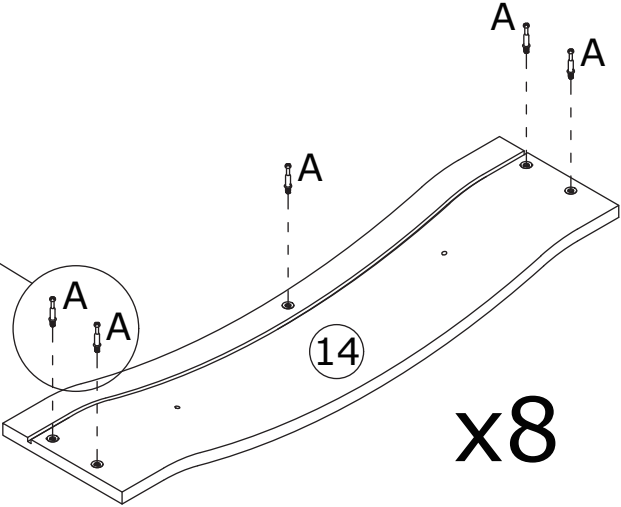
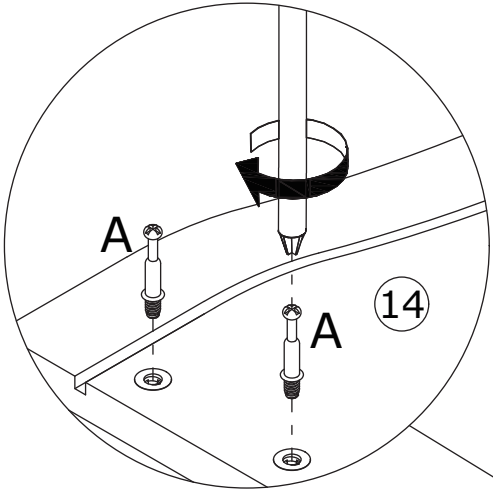
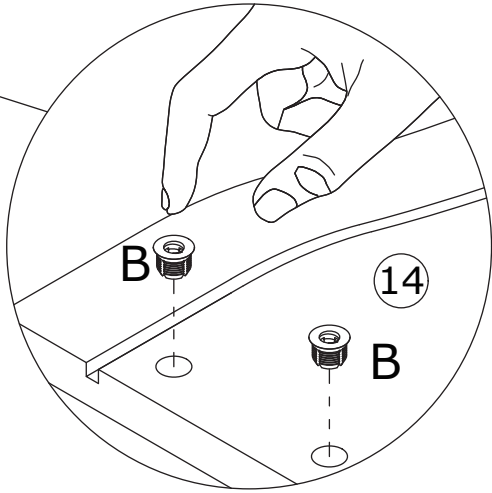
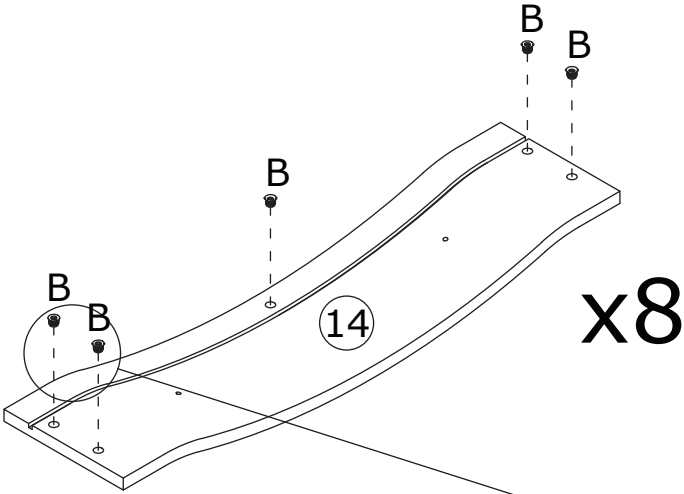
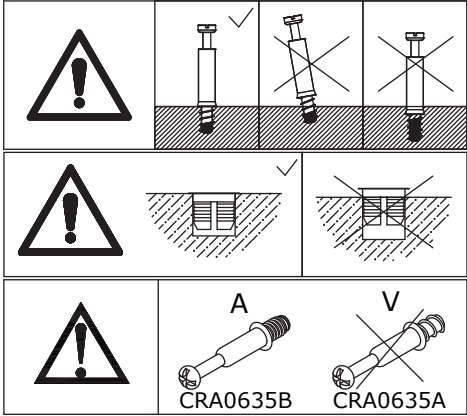
Use screws (E) to secure panels 15 and 16 to panel 17 as shown, insert panel 18 along the available slot.




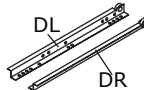

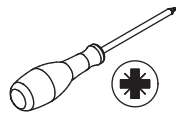
35

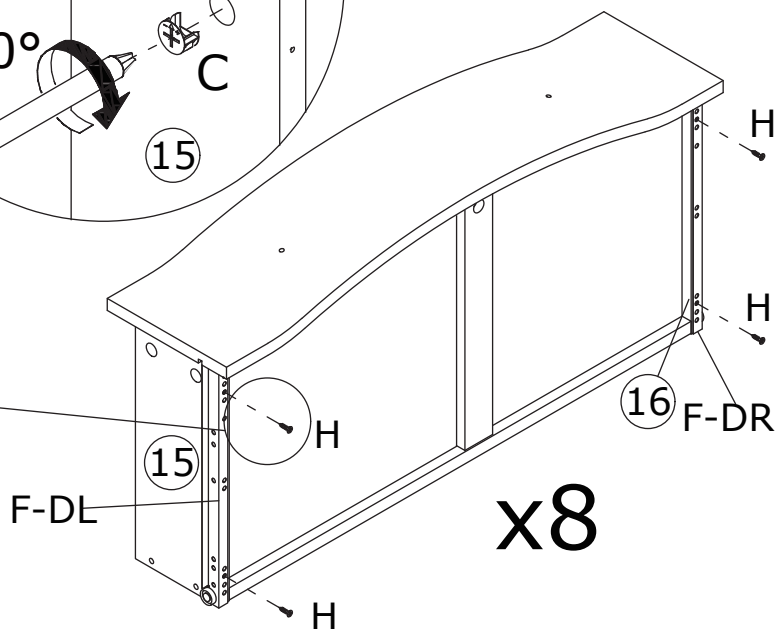
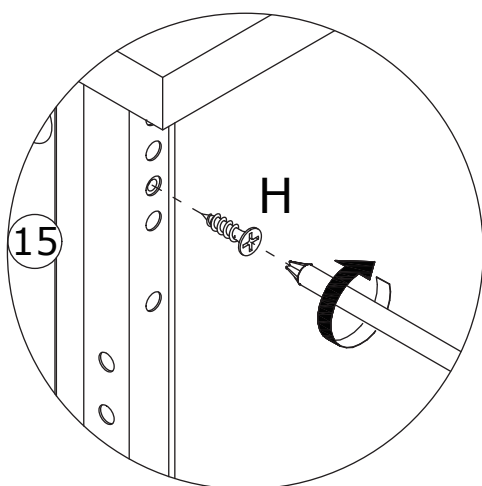
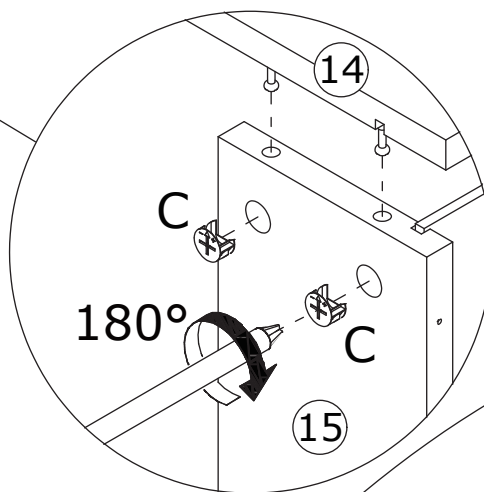
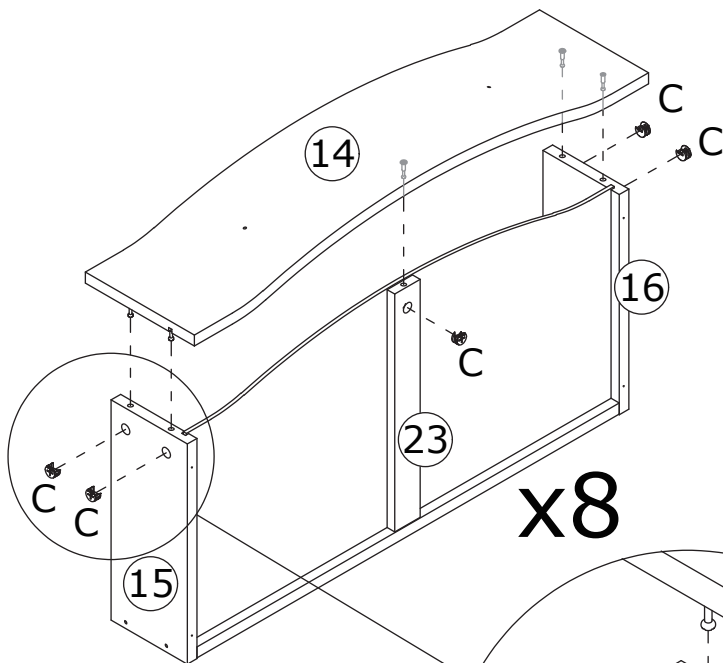
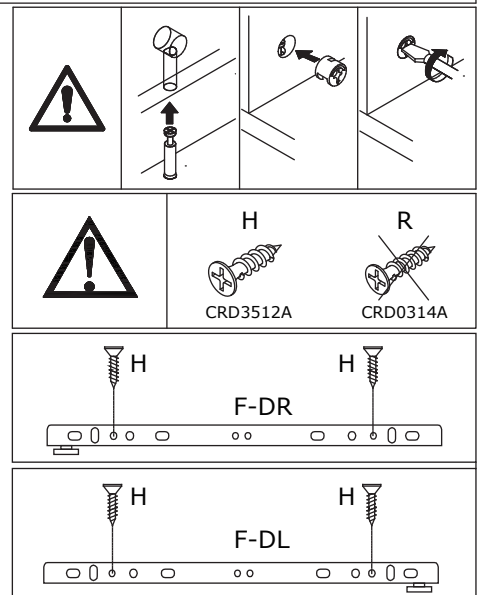


Add part (B) into panel 14 as shown, screw self-tapping rod (A) into panel 14 as shown.



36

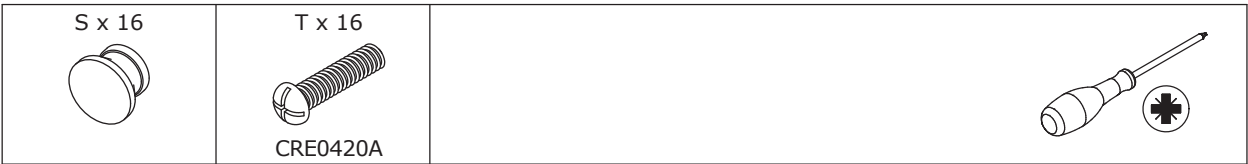
<p>C x 40</p>  <p>CRB1595A</p>	<p>F x 8</p> <p>DL</p> <p>DR</p>  <p>WX1212A</p>	<p>H x 32</p>  <p>CRD3512A</p>	
---	---	---	---



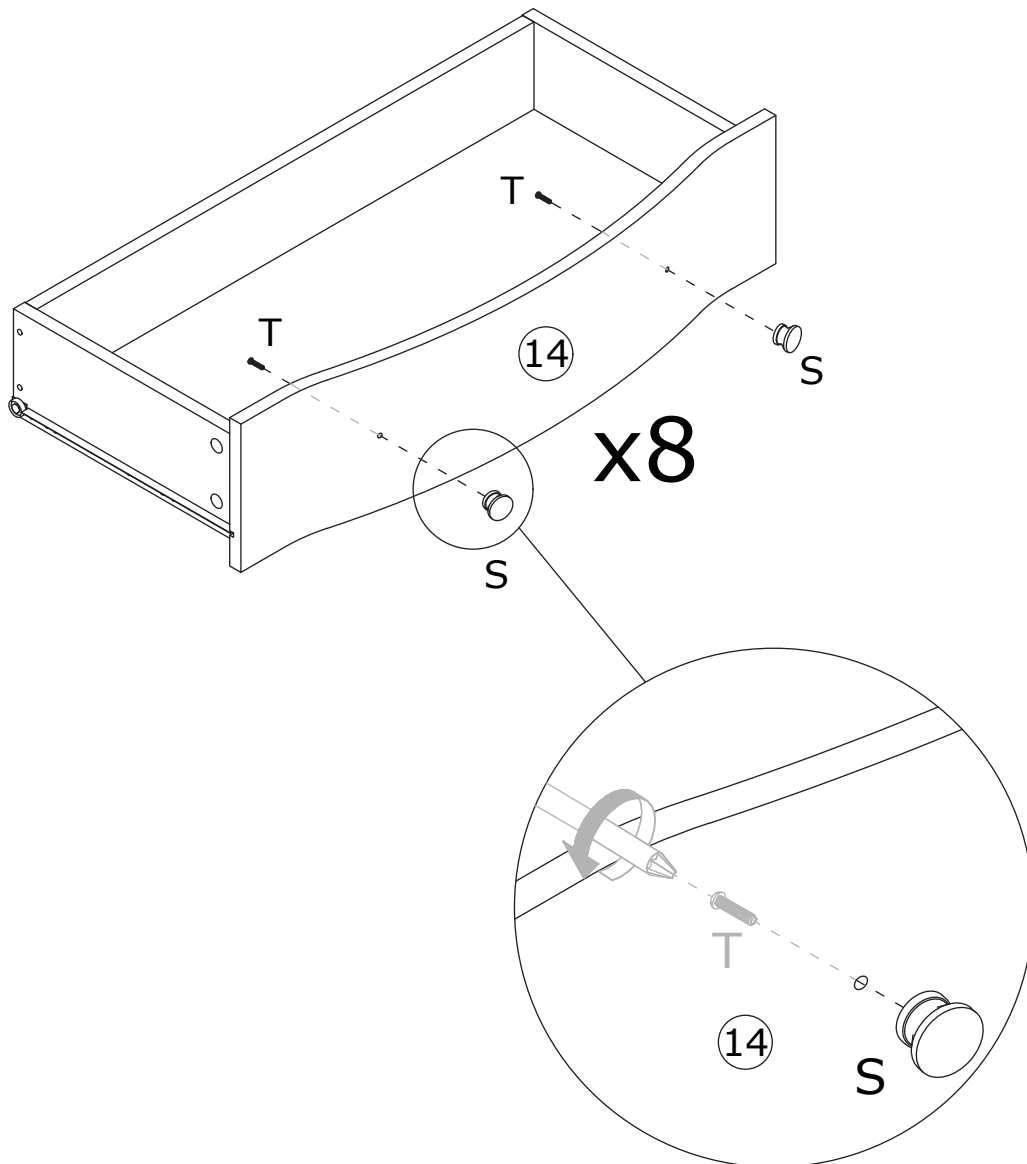
Attach panel 14 to the mounting unit as shown and add the eccentric wheel (C) and tighten it by turning it clockwise.

Use screws (H) to secure the slide (F-DL) and (F-DR) to panels 15 and 16.

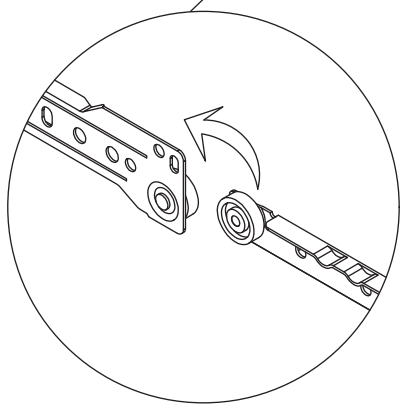
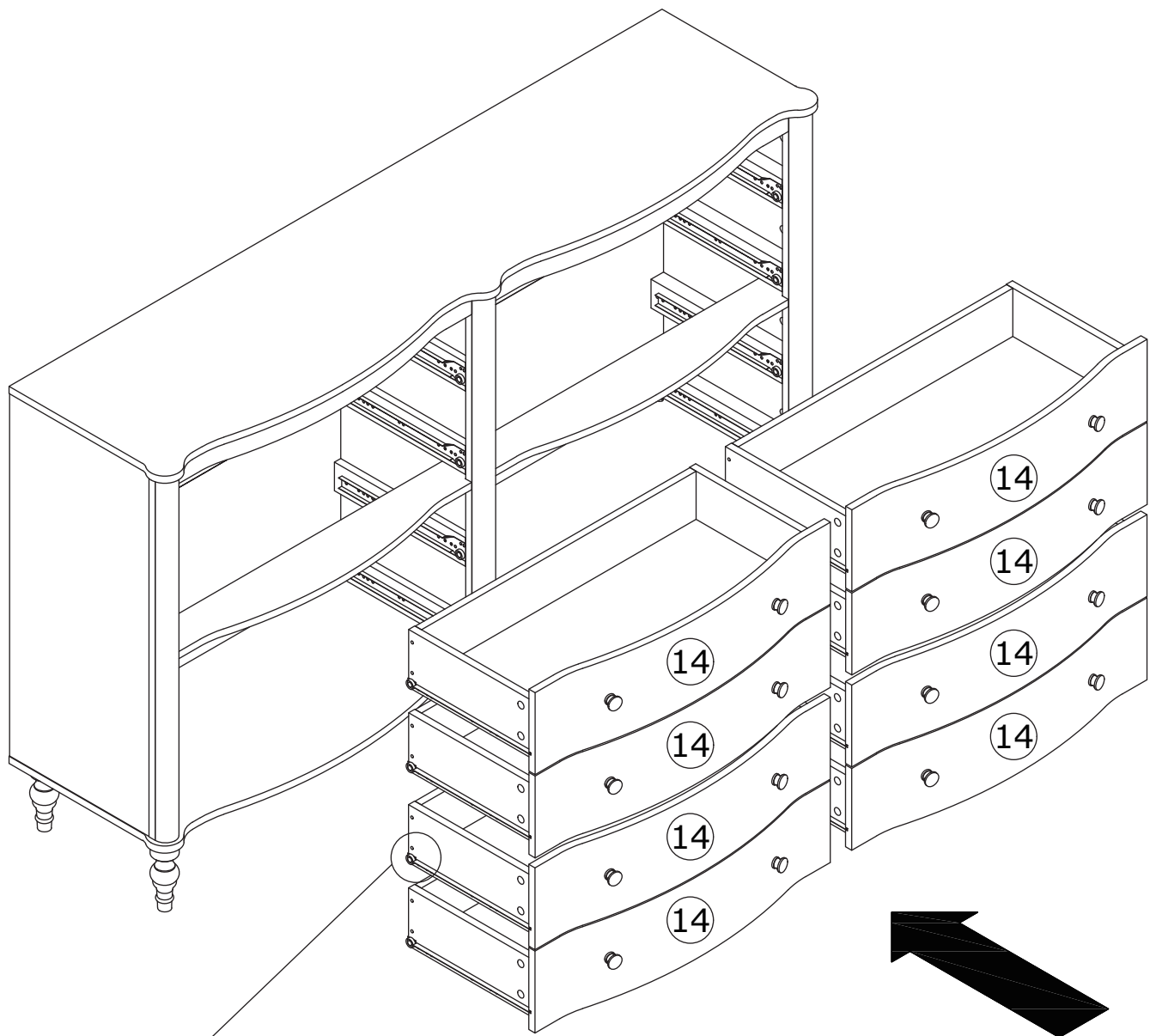
37



Attach knob (S) to panel 14 using screws (T) as shown.



38



39



WARRANTY

WARRANTY CLAIMS

- There is a 30-day warranty for broken furniture or any other problems that do not work properly. The warranty will start from the date of purchase which must be verified by proof of purchase.
- Before making a claim, we may be able to answer your query, simply call us. Please leave your purchase order number, along with some details of the problem, if you want a replacement part. We will arrange within 48 hours. If there is out of stock, we will reply with a shipping date.
- The product must be used in accordance with the instructions provided. For health reasons.
- For other reasons, if the furniture needs to be returned, it must be cleaned and dried and operated within 30 days of receipt.

Type of Warranty Claim

- Failure to follow the furniture instructions will invalidate the warranty. Attention please.
- Does not include damage during installation, but includes damage during transportation.

Scope of responsibility

- Shall not bear any responsibility for misuse or user damage and / or loss of parts during the installation of furniture.
- After using, the damage and scratches of the furniture are not covered by the warranty.

The Warranty Relates to All Bought in The Us and Covers The Following Areas

- Sheet parts: 1 month from the date of purchase.
- Electrical parts: 1 month from the date of purchase.

RETURNS

CHANGED YOUR MIND AND NEED TO RETURN YOU ITEM?

PLEASE FOLLOW THE BELOW INSTRUCTIONS:

- If you have purchased and have simply changed your mind, follow the retailer's instructions for returns.

DEFECTIVE ITEMS

- If your item is defective in any way, i.e. it doesn't work but you can't identify why, in the first instance, please call us.

DAMAGED ITEMS

- If you receive an order with obvious shipping damage from the retailer, then we suggest the delivery is refused. If the delivery has been accepted and then shipping damage is found, please follow the specific instructions advised by the retailer.
In all circumstances please save all packaging material and paperwork for the order. Please be aware that if you dispose of packaging material or attempt to return the merchandise without contacting the fulfiller, you jeopardise your chances of making a claim, and you may not receive a credit for the return.

AFTER-SALES CONTACT



adelahu@fufugaga.com



208-820-0068